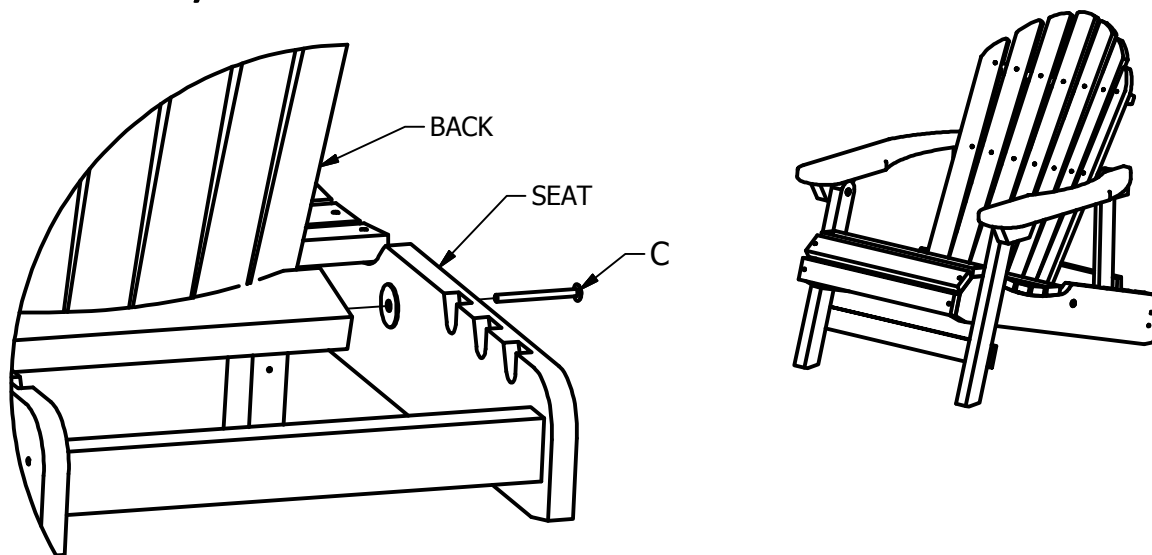


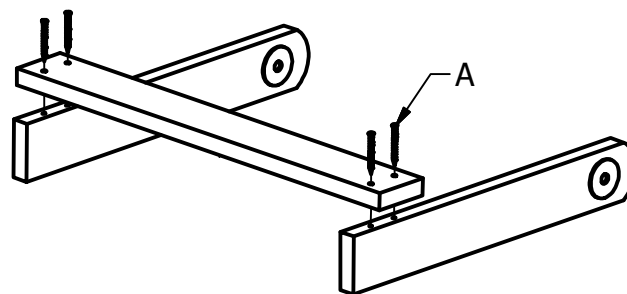
# Adirondack Collection

## Hamilton Folding & Reclining Adirondack Chair

### Assembly Guide

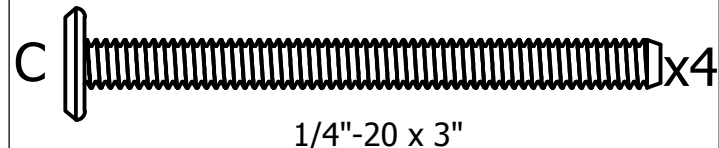
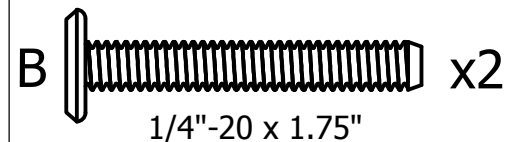
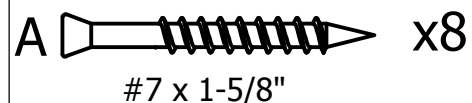


- 1) Attach Seat to Back using bolt C.
- 2) Repeat on other side.



- 3) Attach Back Support Brace (shorter piece) to Back Support Sides with four A screws.

#### HARDWARE

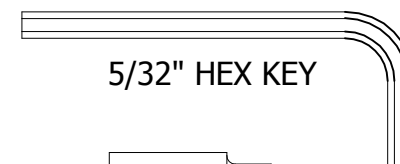


#### IMPORTANT!

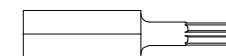
DO NOT fully tighten the bolts until all bolts are started. Once all bolts are inserted, go back & tighten all the bolts.

Retain these instructions for future reference

#### INCLUDED TOOLS



5/32" HEX KEY



T-15 TORX BIT

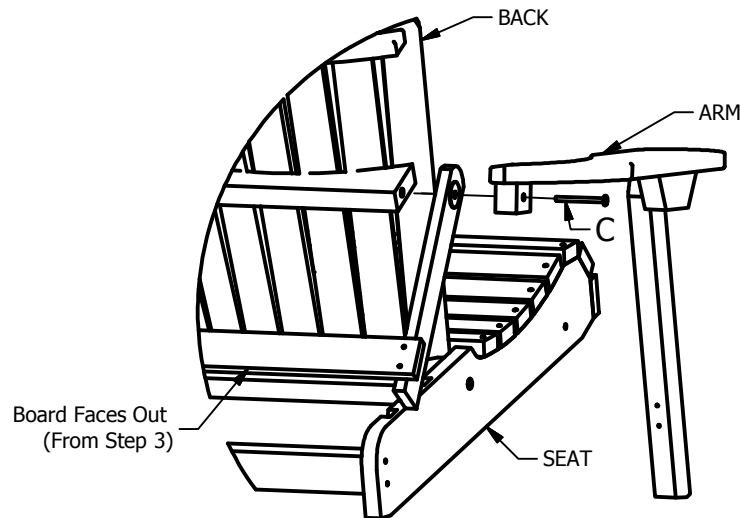
#### CUSTOMER-SUPPLIED TOOLS

Cordless screwdriver/drill OR  
Multi-bit handle for the Torx bit.

# Adirondack Collection

## Hamilton Folding & Reclining Adirondack Chair

### Assembly Guide

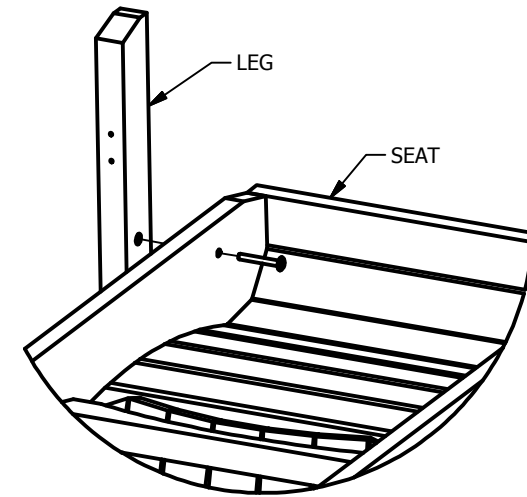


- 4) Attach Arm to Back using bolt C. Insert bolt from the Arm, through the Back Support Side, and into the Back.
- 5) Repeat on other side.

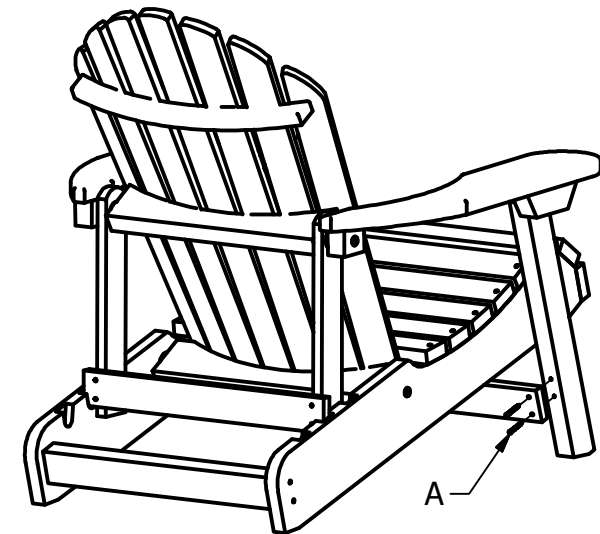
### **IMPORTANT NOTE!**

NEVER adjust the level of recline while you are sitting in the chair, or while anyone else is in the chair. Always adjust with an empty chair and ensure that the back-support is completely secure in the recline slots on each side of the chair.

To fold the chair, lift the back-support and gently push down on the back off the chair. The chair will collapse down to floor level.



- 6) Turn chair over. Attach Seat to Leg using bolt B.
- 7) Repeat on other side.



- 8) Attach Front Leg Support with four A screws. Enjoy your Highwood Chair!