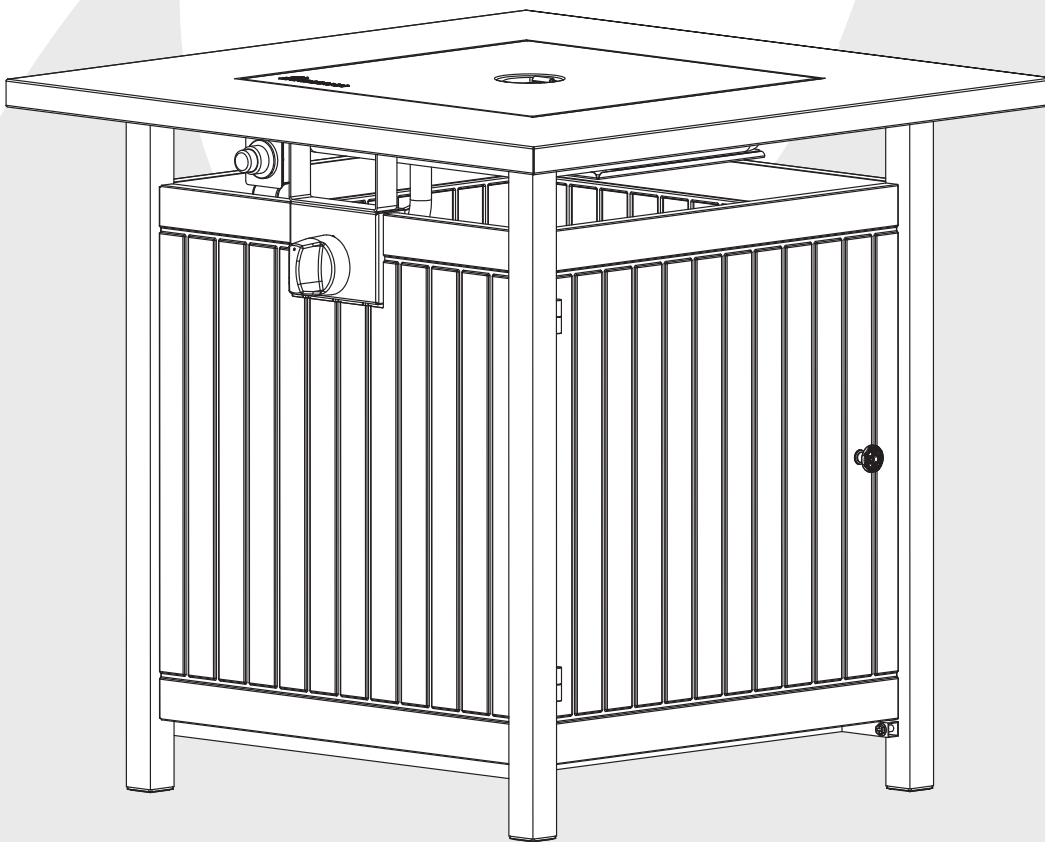




LANDMANN®

Welsey



Assembly and Use Instructions for Model: 22597

VER. 1, 08/08/2019



**PLEASE READ ENTIRE
MANUAL AND NOTE ALL
WARNINGS BEFORE USING.**

**20 lb. Propane Fuel Tank not included.
1 AAA Battery not included.**



Intertek
5005544

Conforms to ANSI STD Z21.97-2017
Certified to CSA STD 2.41-2017
Outdoor decorative Gas Appliance

⚠ DANGER
FIRE OR EXPLOSION HAZARD
If you smell gas:

- Shut off gas to the appliance.
- Extinguish any open flame.
- If odor continues, leave the area immediately.
- After leaving the area, call your gas supplier or fire department.

 Failure to follow these instructions could result in fire or explosion, which could cause property damage, personal injury, or death.

⚠ WARNING
Do not store or use gasoline or other flammable vapors and liquids in the vicinity of this or any other appliance.

An LP-cylinder not connected for use shall not be stored in the vicinity of this or any other appliance.

⚠ WARNING: For Outdoor Use Only.
Installation and service must be performed by a qualified installer, service agency, or the gas supplier.

INSTALLER: Leave this manual with the appliance.
CONSUMER: Retain this manual for future reference.

⚠ WARNING
If the information in this manual is not followed exactly, a fire or explosion may result causing property damage, personal injury, or loss of life.

⚠ WARNING
CARBON MONOXIDE HAZARD
THIS APPLIANCE CAN PRODUCE CARBON MONOXIDE WHICH HAS NO ODOR.
USING IT IN AN ENCLOSED SPACE CAN KILL YOU.
NEVER USE THIS APPLIANCE IN AN ENCLOSED SPACE SUCH AS A CAMPER, TENT, CAR OR HOME.

⚠ WARNING: THIS PRODUCT CAN EXPOSE YOU TO CHEMICALS, INCLUDING LEAD COMPOUNDS, WHICH ARE KNOWN TO THE STATE OF CALIFORNIA TO CAUSE CANCER, BIRTH DEFECTS OR OTHER REPRODUCTIVE HARM.
For more information go to: www.P65Warnings.ca.gov

⚠ WARNING: FUELS USED IN LIQUEFIED PROPANE GAS APPLIANCES, AND THE PRODUCTS OF COMBUSTION OF SUCH FUELS, CAN EXPOSE YOU TO CHEMICALS INCLUDING CARBON MONOXIDE, WHICH IS KNOWN TO THE STATE OF CALIFORNIA TO CAUSE BIRTH DEFECTS OR OTHER REPRODUCTIVE HARM.
For more information go to: www.P65Warnings.ca.gov

⚠ WARNING: THIS PRODUCT CAN EXPOSE YOU TO CHEMICALS, INCLUDING DEHP, WHICH IS KNOWN TO THE STATE OF CALIFORNIA TO CAUSE CANCER, BIRTH DEFECTS OR OTHER REPRODUCTIVE HARM.
For more information go to: www.P65Warnings.ca.gov



Please read and understand the entire manual before attempting to assemble and operate this outdoor gas fire table.

WARNING

IMPROPER INSTALLATION, ADJUSTMENT, ALTERATION, SERVICE OR MAINTENANCE CAN CAUSE SERIOUS INJURY OR PROPERTY DAMAGE.

PROPANE TANK FUEL WARNINGS

1. If you see, smell or hear the hiss of escaping gas from the propane cylinder, do as follows:
 - A) Disconnect propane gas cylinder.
 - B) Do not attempt to correct the problem yourself.
 - C) Get your gas supplier and/ or the fire department for help.
2. Use only PROPANE gas. Do not use natural gas. The conversion or attempted use of natural gas in a propane unit is dangerous. The Min. gas supply pressure for input adj. 5 PSI and Max. gas supply pressure: 250 PSI."
3. This outdoor fire table is for use with a 20 lb. propane fuel cylinder. The propane cylinder must be constructed and marked in accordance with the specifications for Gas Cylinders of the U.S. Department of Transportation (DOT) or the National Standards of Canada, CAN/CSA-B339, cylinders, Spheres and Tubes for Transportation of Dangerous Goods and Commission, as applicable.
4. For use with cylinders marked with PROPANE only. Do not connect to a remote gas supply.
5. The gas pressure regulator provided with the outdoor gas fire table must be used.
6. Do not attempt to disconnect the gas regulator or any gas fitting while the outdoor gas fire table is in operation.
7. A dented or rusty propane cylinder may be hazardous and should be checked by your gas supplier prior to use.
8. Do not use a propane fuel tank with a damaged valve or any other worn out parts.
9. Do not store a spare or disconnected propane fuel tank near this outdoor gas fire table.
10. Propane fuel tanks must be stored outdoors in well ventilated area out of the reach of children. Do not store in a building or any other enclosed area.
11. Do not operate the outdoor gas fire table if there is a gas leak present.
12. Never use a flame to check for gas leaks.
13. If the outdoor gas fire table is stored indoors, the propane fuel tank must be disconnected and stored outdoors.
14. Use care in the transit and storage of empty propane fuel tanks.

GENERAL USE WARNINGS

1. This outdoor gas fire table is for outdoor use only.
2. Use only on brick, concrete, stone or other masonry surfaces.
3. Do not use on lawns, wooden decks, artificial wood decks or asphalt.
4. Keep the outdoor gas fire table a minimum of 60 inches away from buildings, structures, any flammable items and vehicles.
5. Never use under low hanging tree branches, trellis, overhangs of any kind including covered porches.
6. Never use gasoline, alcohol or volatile fluids to start or restart fires.
7. Do not store gasoline, alcohol or volatile fluids in the vicinity of the fire table.
8. Never use charcoal or any other solid fuel in this fire table.
9. The outdoor gas fire table is for adult use only.
10. Never allow children to use the outdoor gas fire table. Children and pets must be closely supervised when they are anywhere near the fire table.
11. Do not leave unattended at any time while in use.
12. Do not move the outdoor gas fire table when in use.
13. Use caution as surfaces will become very hot while in use.
14. Before each use, make sure the outdoor gas fire table is in good working condition.
15. Do not use the outdoor gas fire table unless all parts are in place.
16. Do not use on vehicles or boats.
17. Do not use in windy conditions.
18. If the fire goes out during use, turn the knob on the propane fuel tank to close. Wait five minutes before attempting to relight.
19. Do not adjust the rock when a fire is present in the outdoor gas fire table. Make all adjustments prior to starting the fire.
20. Users should be aware of the hazards of fire and its high temperatures. Keep a safe distance to avoid burning or clothing ignition.
21. Do not store anything in the base, under or below the outdoor gas fire table during use.
22. Do not use this outdoor gas fire table for cooking.
23. Do not use any other burning materials than supplied with the outdoor gas fire table.
24. Never pour water into the outdoor gas fire table.
25. Do not use if any part has been under water.
26. Never place clothing or other flammable materials on the outdoor gas fire table top or any other part of the fire table.
27. Do not lean over the outdoor gas fire table during use.
28. For proper ventilation, the openings in the base must be kept free and clear.
29. Do not rest feet on the outdoor gas fire table.
30. Do not allow the outdoor gas fire table to freeze if it has been exposed to moisture.
31. Any guard or other protective device removed for servicing must be replaced prior to operating the outdoor gas fire table.
32. Installation and repair should be done by a qualified service person. The appliance should be inspected before use and at least annually by a qualified service person. More frequent cleaning may be required as necessary. It is imperative that the control compartment, burners, and circulating air passageways of the appliance are kept clean.
33. Use caution after the fire has been extinguished, surfaces will remain hot for some time.
34. The outdoor gas fire table must be completely cooled off before any cover can be used.
35. Cover must be removed when in operation.
36. DANGER: Keep children away from the lava rocks. Keep fire pit cover in place when not in use. Do not allow children to play with the lava rocks as they can be a choking hazard.

HARDWARE



AA



BB



CC



DD



EE

Item	Description	Qty
AA	M6 x 10 Bolt	22
BB	M4 x 8 Bolt	1
CC	Washer	1
DD	Door Knob	1
EE	M6 x 20 Bolt	4

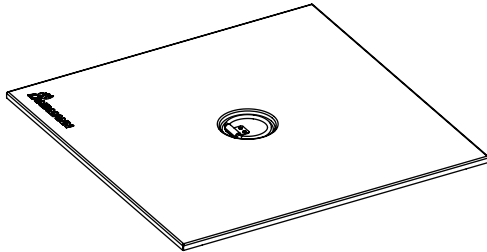
Before beginning assembly of this product be sure all parts are present. Compare parts with package contents list and hardware contents list. If any part appears to be missing or damaged do not begin assembly of this product and call customer service.

Estimated assembly time: 30 minutes

Tools required for assembly (not included): Phillips screwdriver and adjustable wrench

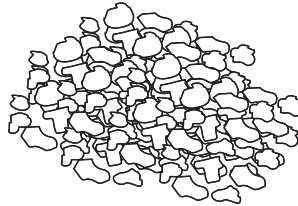
PART LISTING

When unpacking the fire pit from the carton, make sure you find and become familiar with all the parts listed below. Use caution as some parts may have sharp edges.



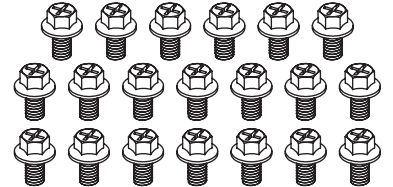
A

(1) FIRE PIT COVER



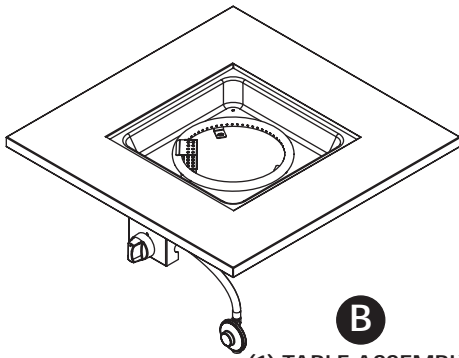
F

(1 BOX) LAVA ROCK



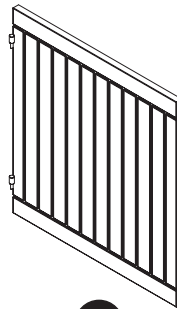
AA

(22) M6 x 10 BOLT



B

(1) TABLE ASSEMBLY



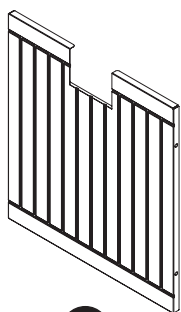
C

(1) DOOR PANEL



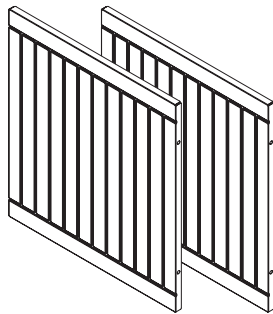
BB

(1) M4 x 8 BOLT



D

(1) FRONT PANEL



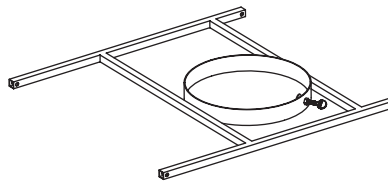
E

(2) SIDE OR BACK PANEL



CC

(1) WASHER



K

(1) BASE STRUCTURE



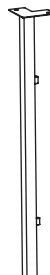
DD

(1) DOOR KNOB



G

(1) LEG
FRONT LEFT



H

(1) LEG
FRONT RIGHT



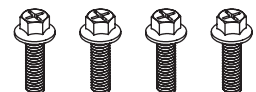
I

(1) LEG
BACK LEFT



J

(1) LEG
BACK RIGHT



EE

(4) M6 x 20 BOLT

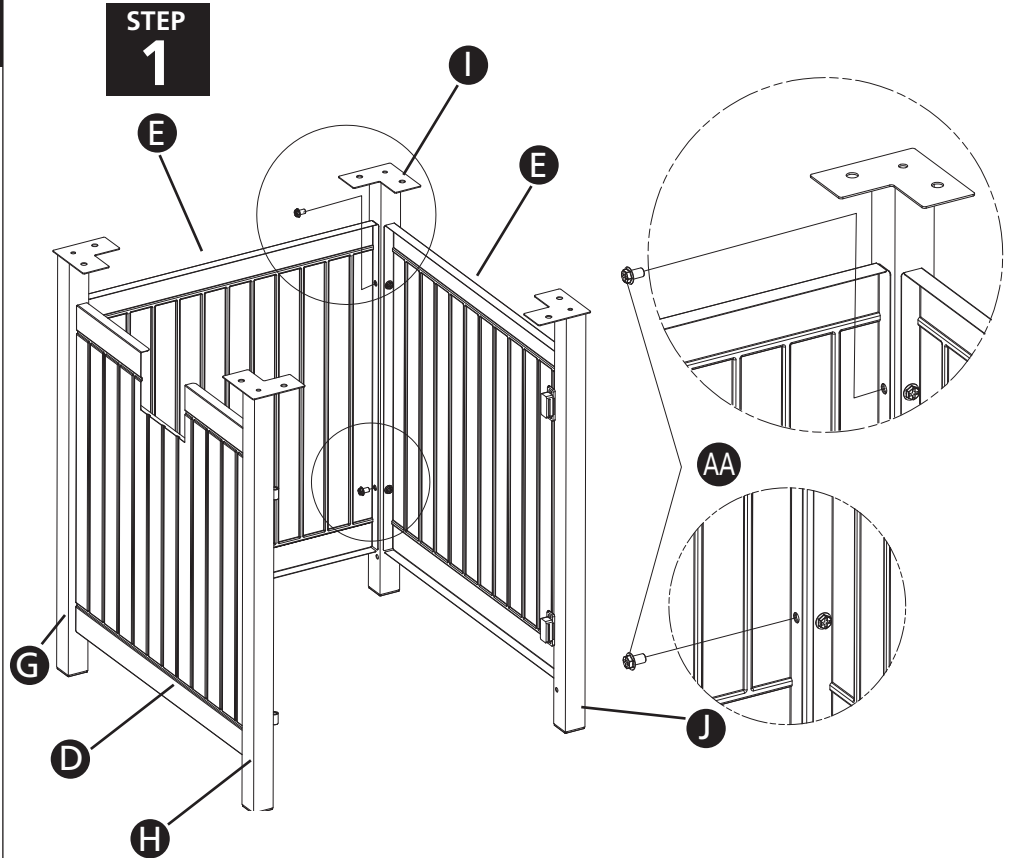
WELSEY FIRE TABLE ASSEMBLY INSTRUCTIONS

A Phillips screwdriver and an adjustable wrench is needed for assembly.

Assembly time: 30 minutes

STEP 1: ASSEMBLE THE PANELS TO THE LEGS

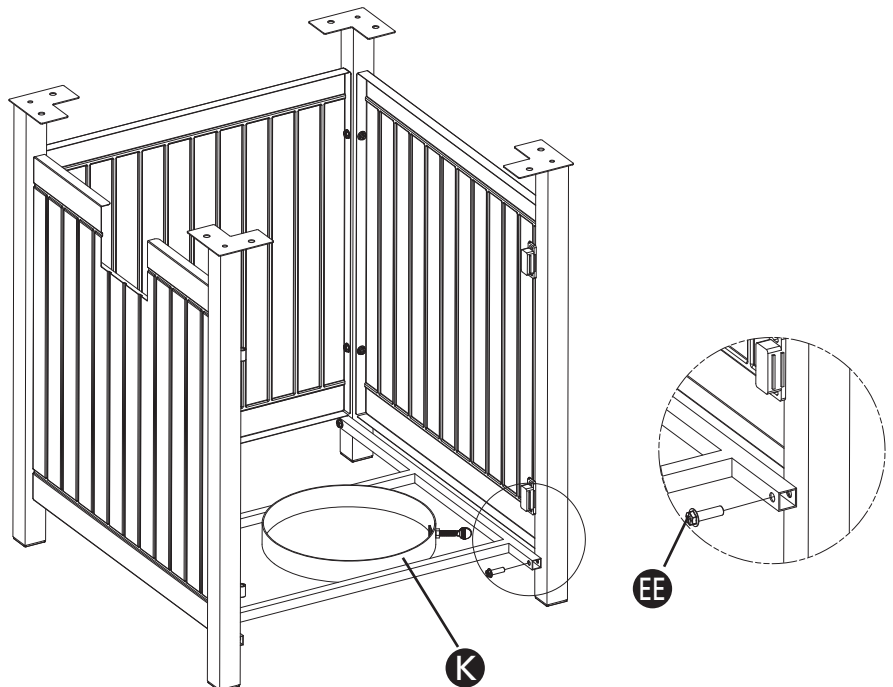
Assemble each panel [D,E] to the legs [G,H,I,J] using (12) M6 x 10MM bolts [AA]. Arrange panels exactly as shown. Tighten bolts securely.



STEP 2

STEP 2: ASSEMBLE THE BASE STRUCTURE

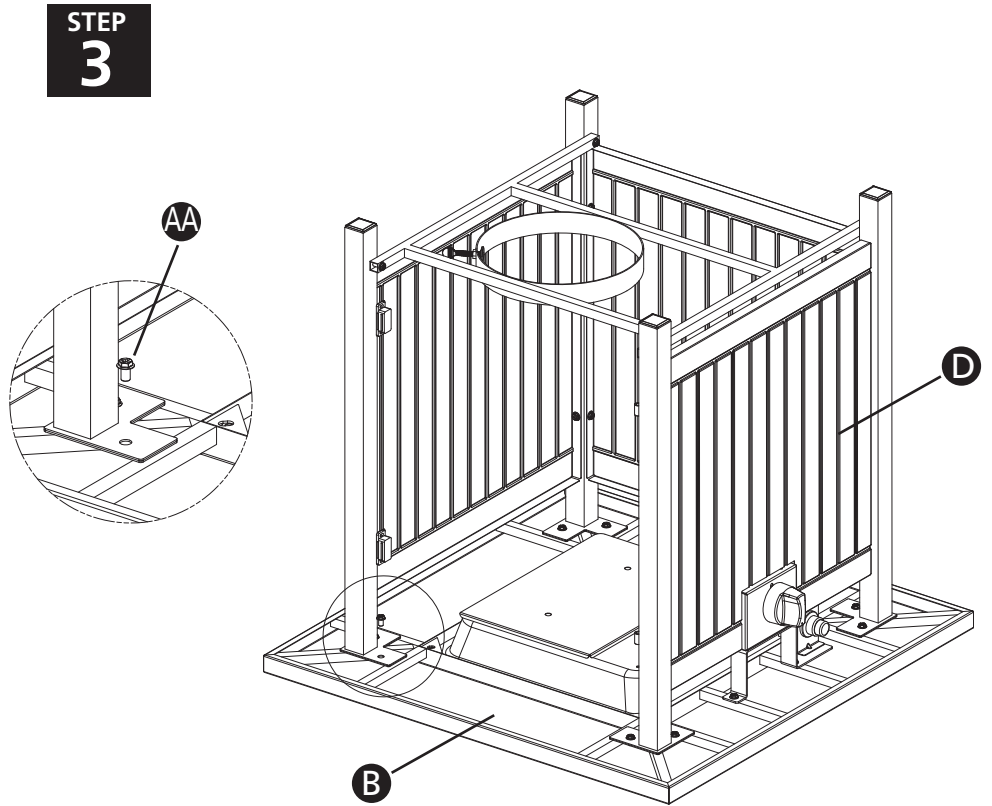
Place the base structure [K] inside and align with the holes brackets on the legs. Assemble using (4) M6 x 20MM bolts [EE]. Tighten bolts securely.



WELSEY FIRE TABLE ASSEMBLY INSTRUCTIONS

STEP 3: ASSEMBLE THE TABLE ASSEMBLY

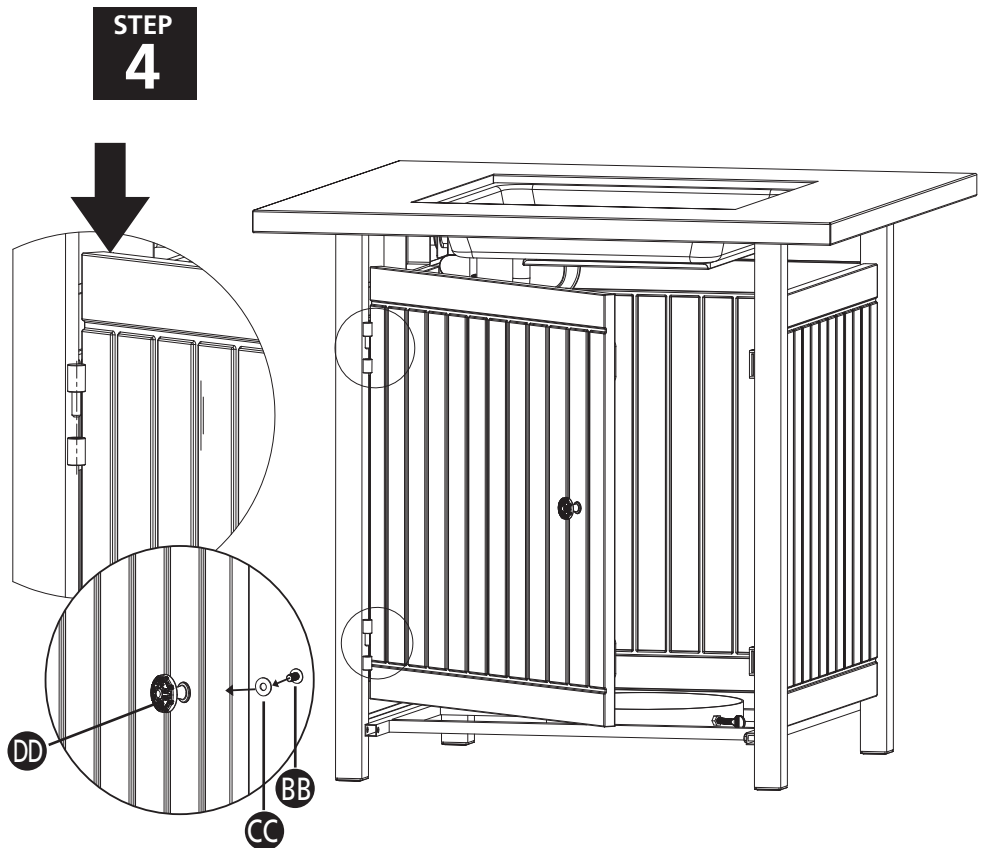
Carefully rotate and place the table assembly [B] onto a piece of cardboard or other soft material. Align front panel [D] with the control panel and place onto the table assembly. Align the holes and use (8) M6 x 10MM bolts [AA] to assemble. Start all bolts first before tightening all bolts securely.



STEP 4: ASSEMBLE THE DOOR

Assemble the door knob [DD] to the door panel [C] using (1) M4 x 8MM bolt [BB] and (1) washer [CC]. Tighten bolt securely.

Insert door shafts into sleeves. Pivot the door closed to the magnetic catches.

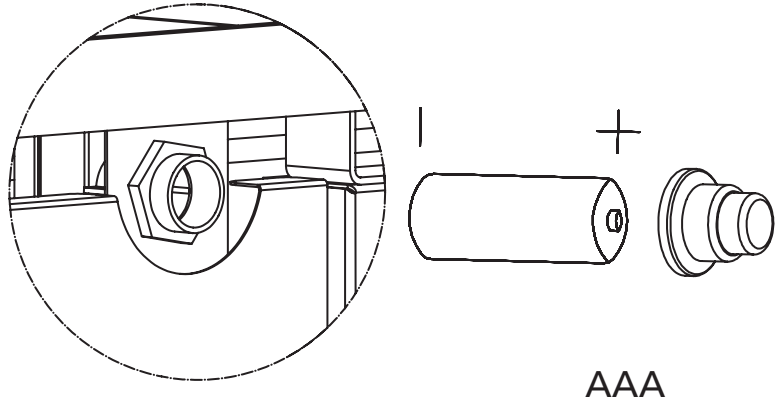


WELSEY FIRE TABLE ASSEMBLY INSTRUCTIONS

STEP 5: ASSEMBLE THE BATTERY

Remove the ignitor cap and slide one new AAA battery (not included) into the battery slot. The negative side of the battery goes in first. Reinstall the ignitor cap securely. Insure the ignitor works by pressing the cap and hearing for the spark from the electrode located inside the ignitor guard.

STEP 5



STEP 6: PLACE THE LAVA ROCK

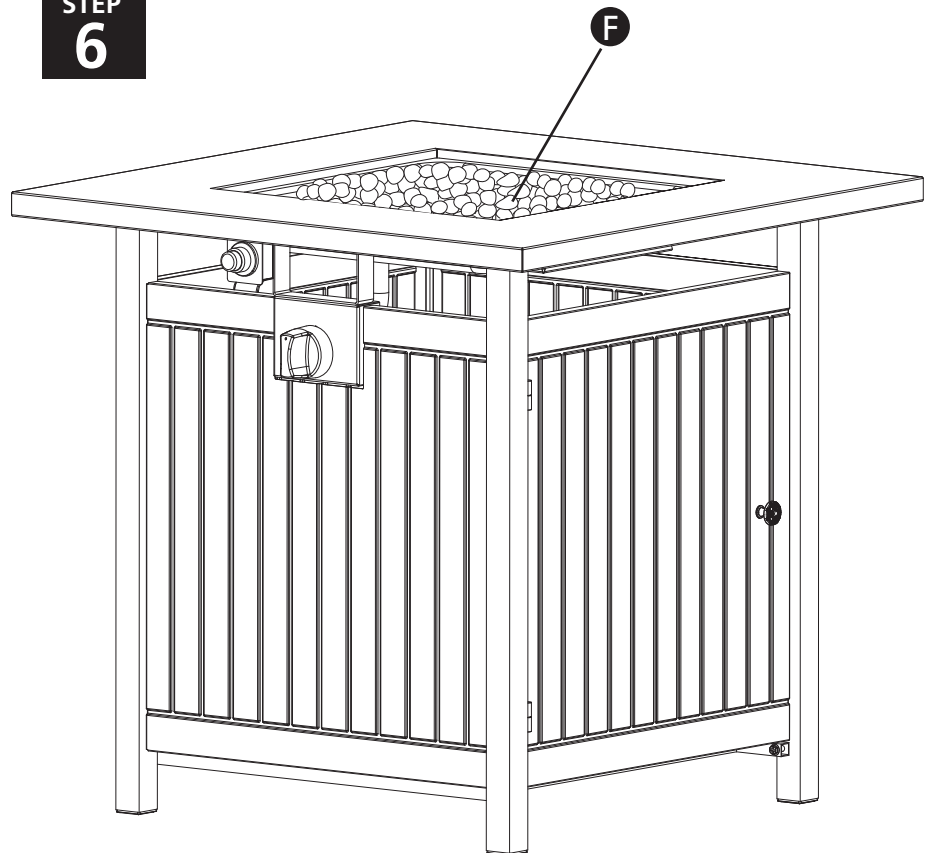
Carefully open the package for the lava rock [F] and slowly pour the rock evenly into the firebowl.

To ensure proper function, make sure that the lava rock does not enter the inside of the ignitor guard. The lava rocks can be placed around and on top of the ignitor guard. Keep inside of the ignitor guard clear.

CAUTION: Carefully handle the lava rock as there could be lava chips or shards they can be very sharp.

DANGER: Keep children away from the lava rocks. Keep fire pit cover in place when not in use. Do not allow children to play with the lava rocks as they can be a choking hazard.

STEP 6



**PROPANE TANK
INSTALLATION INSTRUCTIONS**

No tools needed.

Assembly time: 5 minutes

⚠ NOTICE!! This fire table was made to use a 20 lb. propane fuel tank only. Do not connect to a remote gas supply. Do not use natural gas.

⚠ CAUTION!! Make sure the control knob is in the OFF position before assembling the propane fuel tank.

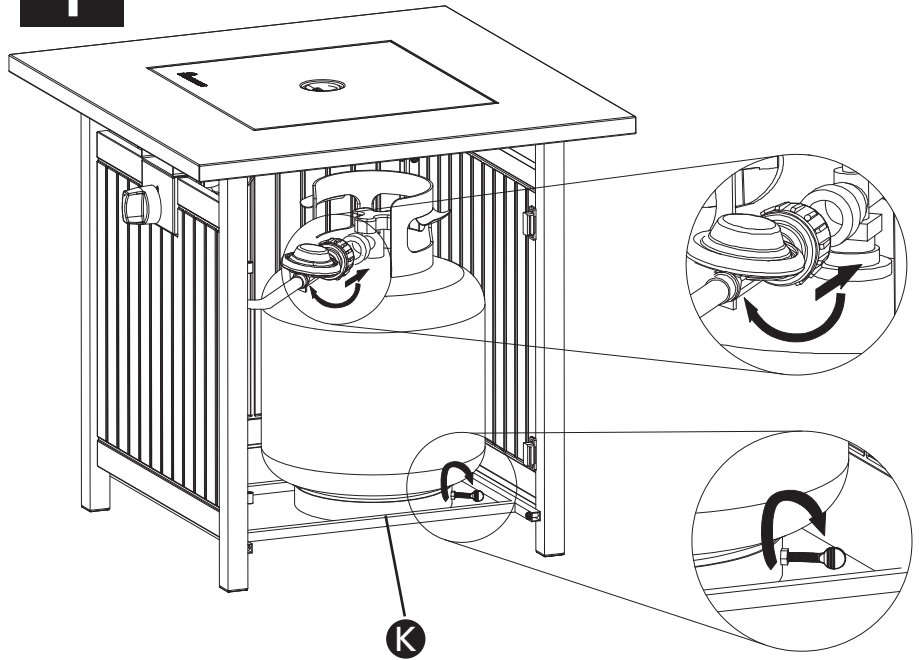
STEP 1: PLACE THE PROPANE TANK

Remove and place the door panel off to the side. Place a 20 lb. propane fuel tank (not included) onto the base structure [K]. Secure the propane fuel tank with the wing bolt.

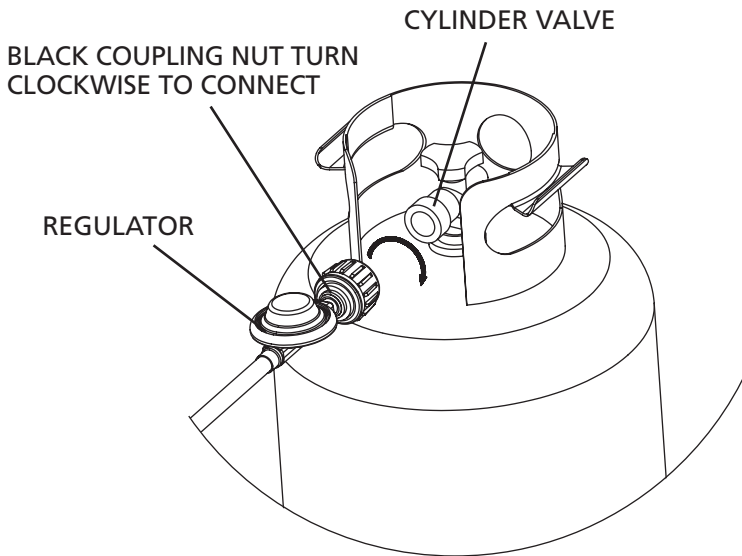
STEP 2: ASSEMBLE THE FUEL HOSE TO THE PROPANE FUEL TANK

Attach the regulator to the propane fuel tank. Securely hand tighten.

**STEP
1**



**STEP
2**

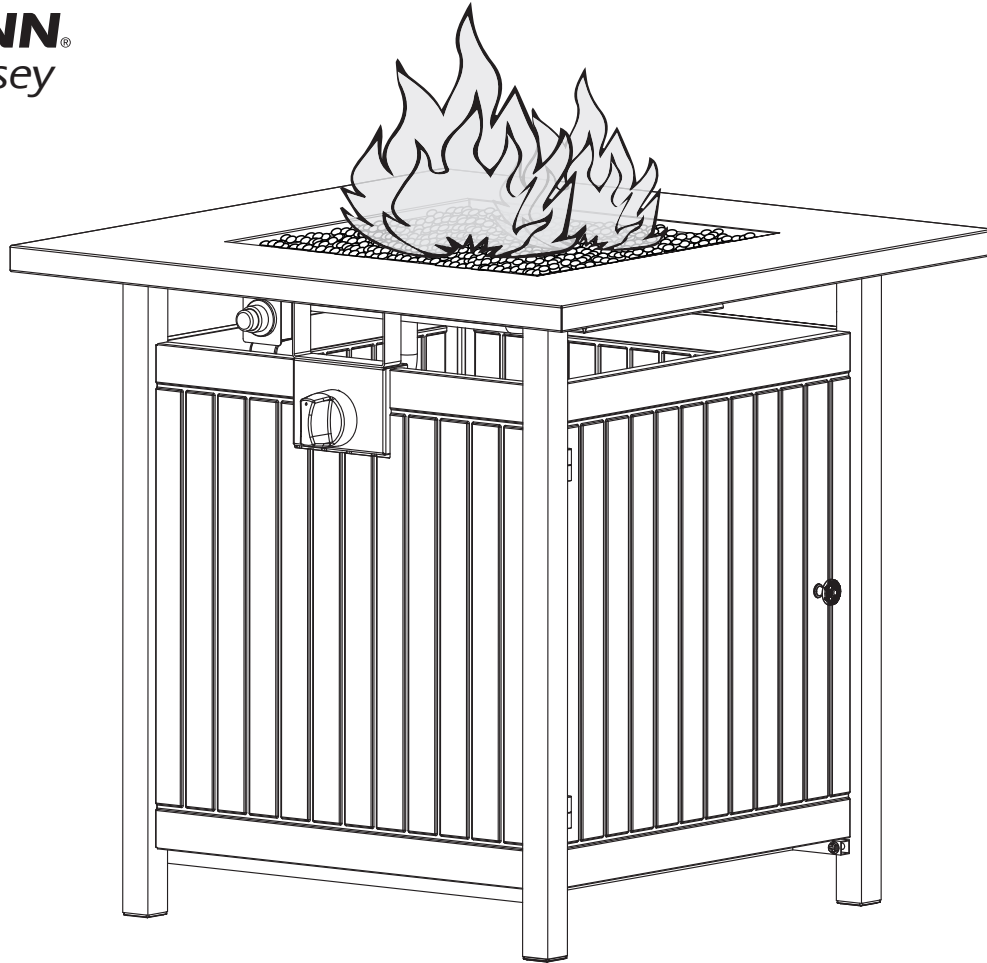


LEAK TEST INSTRUCTIONS

Before using, it is a good idea to perform a leak test. Do this in a well-ventilated area outside, away from any sources of sparks such as light switches.

Connect the regulator to the propane fuel tank, turn the knob on the propane tank but keep the control knob on the fire table in the OFF position. This will pressurize the fuel lines. Pour a soapy water solution on the fuel line connections. If a leak is present, bubbles will form at the leak. If a leak is found or gas is smelled, turn off the gas at the propane tank. Tighten the connection and perform the test again. If the leak cannot be remedied, do not use the fire table until repairs can be made.

**DO NOT RETURN PRODUCT TO THE STORE.
IF YOU HAVE QUESTIONS OR HAVE
TROUBLE WITH ASSEMBLY, PLEASE CALL
1-800-321-3473 FOR ASSISTANCE.**

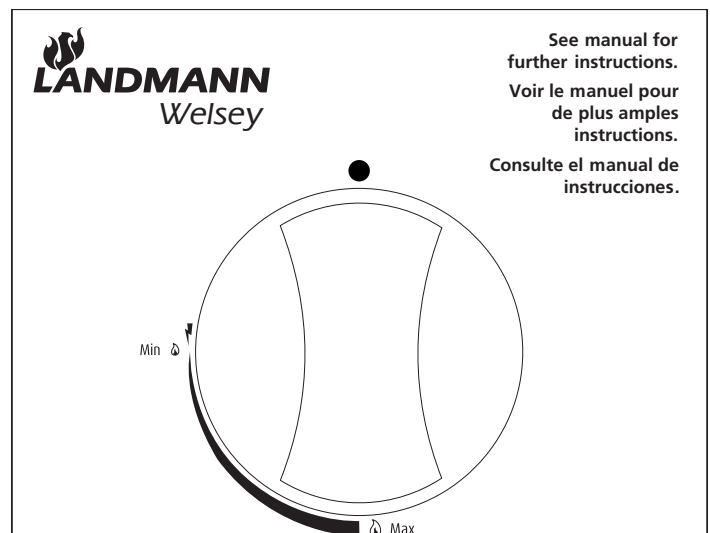


WELSEY OPERATING INSTRUCTIONS

WARNING

The fire table and lava rock become very hot. Use caution around the fire table. Keep the fire table area free and clear of combustible materials.

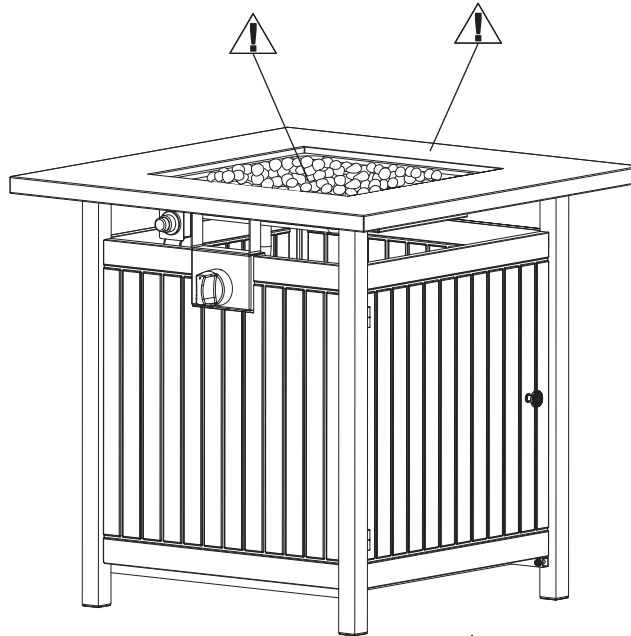
1. The fire table must be a minimum of 60 inches away from any walls, railings, furniture or any other combustible materials.
2. Make sure adequate fuel is in the propane tank.
3. Always be sure the control knob is in the "●" position before opening the propane knob.
4. Slowly turn the propane knob to OPEN.
5. Push and turn control knob counter clockwise to "Min".
6. Press the ignitor knob to light the burner. Release control knob after 45 seconds.
7. Adjust the flame to desired height with the control knob.
8. To turn off, turn the propane tank knob to CLOSE.
9. Wait until the fire extinguishes to purge the lines of fuel before turning the control knob on the fire table to "●".





CARE AND MAINTENANCE

- BEFORE EACH USE, VISUALLY INSPECT ALL PARTS TO INSURE THEY ARE IN GOOD WORKING ORDER.
- TAKE CARE WHEN MOVING AS THE FIRE TABLE TOP CAN CHIP OR CRACK OR BREAK IF HANDLED ROUGHLY OR DROPPED.
- THE FIRE TABLE MAY BE CLEANED WITH A MILD SOAP AND WATER SOLUTION. USE A SOFT RAG, NEVER USE COARSE OR ROUGH MATERIALS. DO NOT ALLOW THE LAVA ROCK OR THE BURNER / COMPONENTS TO BECOME WET.
- KEEP THE FIRE TABLE OUT OF THE WEATHER AND ELEMENTS.
- STORE THE FIRE TABLE IN A DRY LOCATION OUT OF THE WEATHER.
- USE THE WEATHER COVER ONLY AFTER THE FIRE TABLE IS COMPLETELY COOL TO THE TOUCH.
- USE THE WEATHER COVER AT ALL TIMES WHEN NOT IN USE.
- THE PROPANE FUEL TANK MUST BE DISCONNECTED FROM THE FIRE TABLE BEFORE IT CAN BE STORED INDOORS.



HOT SURFACES DURING USE

WARNING!
NEVER USE GASOLINE, ALCOHOL OR VOLATILE FLUIDS TO START OR RESTART FIRES.

WARNING!
HOT SURFACES DURING USE! USE MITTENS, POKER OR GLOVES ON THESE PARTS.

SPECIFICATIONS

Conforms to ANSI STD Z21.97-2017 Certified to CSA STD 2.41-2017 Outdoor decorative Gas Appliance.

INPUT RATING (BTU) 50,000

FUEL TYPE 20 LB. PROPANE FUEL TANK

ESTIMATED RUN TIME (HIGH) . . . (AVERAGE) 8 HRS

BATTERY (1 REQUIRED) AAA

Congratulations on your purchase of the Welsey Outdoor Gas Fire Table! At Landmann USA, we strive to provide you with an easy to use, easy to assemble product. However, in the unlikely event your package should have a missing or defective part, please contact us at: customerservice@landmann.com/us -OR- 1-800-321-3473 M-F 8-5 ET. Proof of purchase may be required. Thank you!

LIMITED WARRANTY

Landmann USA ("Landmann") warrants that this product shall be free of defects in material and workmanship to the original purchaser for 1 YEAR. This limited warranty is made exclusively to the original customer presenting proof of purchase. This warranty is limited to non-commercial residential use only. Any returned goods must be shipped prepaid.

This warranty does not cover normal wear of parts or damage resulting from any of the following: negligence, abuse, misuse, alteration, improper installation, improper maintenance or failure to perform normal maintenance, or any use contrary to operating instructions. Furthermore, Landmann does not warrant in any way the paint or stone finishes of this product or cover damage or deterioration due to any normal or severe weather conditions or to any chemical exposure. These warranties do not cover surface scratches or heat damage, which is considered to be normal wear. These warranties do not cover the lava rocks or the faux firewood. Chips, cracks or breaks in the stone base caused by normal use are not covered by this warranty. These warranties exclude liability for any indirect, incidental consequential damages or loss of property of any nature.

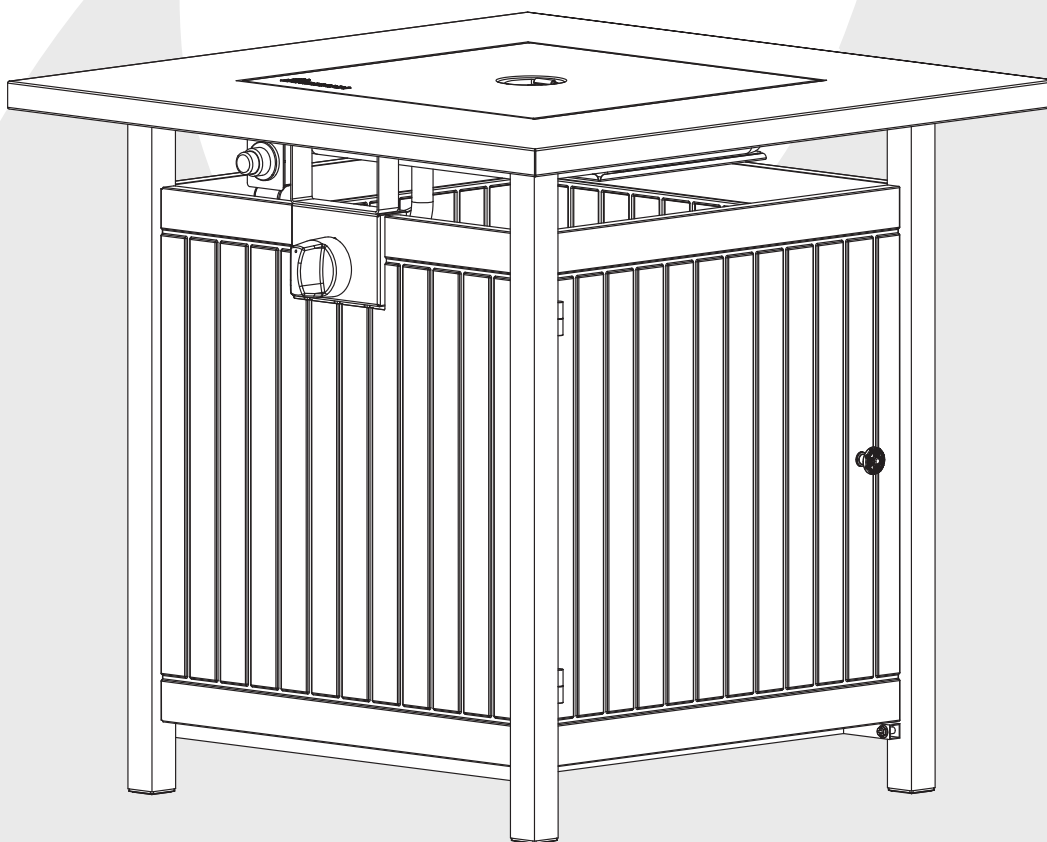
Do not return product or any parts to the store or ship to the manufacturer without written authorization.

Contact Customer Service at: 1-800-321-3473 or customerservice@landmann.com/us. Any returned products or parts must be returned postage prepaid.

These warranties are limited to non-commercial residential use only.

Product repair or replacement as provided under this warranty is your exclusive remedy. Landmann shall not be liable for any incidental or consequential damages or breach of any express or implied warranty on this product or any part thereof, except to the extent prohibited by applicable law. Some states do not allow the exclusion or limitation of incidental or consequential damages, or allow limitation on how long an implied warranty lasts, therefore, the above limitation or exclusion may not apply to you. This warranty gives you specific legal rights, and you may also have other rights, which vary, from state to state.

TROUBLESHOOTING		
PROBLEM	POSSIBLE CAUSE	CORRECTIVE MEASURES
GAS ODOR	Gas leaking	<ul style="list-style-type: none"> • Check all gas connections. • Use soapy water solution to determine where leak is coming from. • If leak cannot be found and gas is still smelled, do not try to light any appliance. • Do not touch any electrical switches. • Do not use any phone. • Immediately call your gas supplier from a neighbors phone. • If you cannot reach your gas supplier, call the fire department.
WILL NOT LIGHT	<p>Low gas pressure</p> <p>Clogged or dirty burner ports</p> <p>Blocked orifice</p> <p>Battery is expired</p> <p>Faulty wiring or electrode</p>	<ul style="list-style-type: none"> • Check gas supply pressure • Clean the burner ports • Check orifice opening • Replace the battery • Check all wire connections, when the control knob is pressed a sparking action can be heard in the burner area.
IMPROPER BURNER FLAME	<p>Incorrect gas pressure</p> <p>Blocked orifice</p> <p>Clogged or dirty burner ports</p>	<ul style="list-style-type: none"> • Check gas supply pressure • Check orifice opening • Clean burner ports
CRACKING OR POPPING	Lava rocks are wet	<ul style="list-style-type: none"> • Allow lava rocks to dry before using.



Instructions d'assemblage
et d'utilisation pour le
modèle:
22597

VER. 1, 08/08/2019



VEUILLEZ LIRE TOUT LE
MANUEL ET REMARQUE
TOUTES LES AVERTISSEMENTS
AVANT L'UTILISATION

20 lb. Réservoir de carburant au propane
non inclus.
1 AAA Batterie non incluse.



Intertek
500544

Conforme à ANSI STD Z21.97-2017
Certifié à CSA STD 2.41-2017
Appareil à gaz décoratif extérieur



DANGER

RISQUE D'INCENDIE OU D'EXPLOSION
Si une odeur de gaz est perçue :
• Couper le gaz qui alimente l'appareil.
• Éteindre toute flamme nue.
• Si l'odeur persiste, quitter immédiatement la zone.
• Après avoir quitté la zone, appeler le fournisseur de gaz ou les pompiers.
Tout manquement au respect de ces instructions peut entraîner un incendie ou une explosion qui peut engendrer des dommages matériels, des blessures corporelles ou la mort.



AVERTISSEMENT:

Ne rangez ni ne utilisez de l'essence ou d'autres vapeurs et liquides inflammables à proximité de ce ou d'un autre appareil.

Un LP-cylindre non connecté pour l'utilisation ne doit pas être stocké à proximité de ce ou d'un autre appareil.



AVERTISSEMENT:

Pour utilisation en extérieur uniquement. L'installation et l'entretien doivent être effectués par un installateur qualifié, une agence d'entretien ou le fournisseur de gaz.

INSTALLATEUR: laisser les présentes instructions avec l'appareil.
CONSOMMATEUR : conserver les présentes instructions pour s'y reporter ultérieurement.



AVERTISSEMENT:

Si les informations contenues dans les présentes instructions ne sont pas respectées à la lettre, il peut en résulter un incendie ou une explosion entraînant des dommages matériels, des blessures corporelles ou la mort.



AVERTISSEMENT:

RISQUE DE MONOXYDE DE CARBONE

CET APPAREIL PEUT PRODUIRE UN MONOXYDE DE CARBONE QUI N'A PAS D'ODEUR.

L'UTILISER DANS UN ESPACE ENCLOSED PEUT TE TUER.

NE JAMAIS UTILISER CET APPAREIL DANS UN ESPACE ENCLOSED COMME CAMPER, TENTE, VOITURE OU MAISON.



AVERTISSEMENT: CE PRODUIT PEUT VOUS EXPOSER À DES PRODUITS CHIMIQUES, COMPRIS LES COMPOSÉS DU PLOMB, QUI SONT CONNUS DE L'ÉTAT DE CALIFORNIE POUR CAUSER LE CANCER, DES MALFORMATIONS CONGÉNITALES OU D'AUTRES NUIRE DE REPRODUCTION.

Pour plus d'informations, visitez: www.P65Warnings.ca.gov



AVERTISSEMENT: COMBUSTIBLES UTILISÉS DANS LES APPAREILS À GAZ PROPANE LIQUÉFIÉ ET PRODUITS DE COMBUSTION DE CES COMBUSTIBLES, PEUT VOUS EXPOSER À DES PRODUITS CHIMIQUES, Y COMPRIS LE MONOXYDE DE CARBONE, CE QUI EST CONNU DE L'ÉTAT DE CALIFORNIE POUR CAUSER DES MALFORMATIONS CONGÉNITALES OU D'AUTRES PROBLÈMES DE REPRODUCTION.

Pour plus d'informations, visitez: www.P65Warnings.ca.gov



AVERTISSEMENT: CE PRODUIT PEUT VOUS EXPOSER À DES PRODUITS CHIMIQUES, COMPRIS LE DEHP, QUI SONT CONNUS DE L'ÉTAT DE CALIFORNIE POUR CAUSER LE CANCER, DES MALFORMATIONS CONGÉNITALES OU D'AUTRES NUIRE DE REPRODUCTION.

Pour plus d'informations, visitez: www.P65Warnings.ca.gov



Assurez-vous de lire tout le guide et de bien comprendre les instructions avant toute tentative d'assemblage ou d'utilisation de ce foyer d'extérieur au gaz.

AVERTISSEMENT

L'INSTALLATION, L'AJUSTEMENT, LA MODIFICATION, LE SERVICE OU L'ENTRETIEN INADÉQUATS PEUVENT CAUSER DE GRAVES BLESSURES OU D'IMPORTANTES DOMMAGES MATÉRIELS.

INSTRUCTIONS POUR BOUTEILLE DE PROPANE

1. Si vous voyez, sentez ou encore entendez le bruit de sifflement du gaz qui s'échappe de la bouteille de propane, faites comme suit :
 - A) Débranchez la bouteille de gaz.
 - B) Ne tentez pas de régler le problème par vous-même.
 - C) Faites appel à votre distributeur de gaz ou au service d'incendie pour obtenir de l'aide.
2. PROPANE seulement. N'utilisez pas de gaz naturel. Il est dangereux de convertir ou de tenter d'utiliser du gaz naturel dans un réservoir de propane. La pression min. d'alimentation en gaz pour le réglage d'entrée s'élève à 5 PSI et la pression max. d'alimentation en gaz s'élève à 250 PSI.
3. Ce foyer d'extérieur requiert l'utilisation d'une bouteille de propane de 20 lb. La fabrication et l'étiquetage de la bouteille de propane doivent être conformes aux Spécifications for Gas Cylinders du Department of Transportation américain (DOT), ou encore à la norme nationale canadienne CAN/CSA-B339 (« Bouteilles et tubes utilisés pour le transport des marchandises dangereuses »), selon le cas.
4. À utiliser uniquement avec les bouteilles à gaz portant l'étiquette « PROPANE ». Ne pas raccorder la bouteille de propane à un autre réservoir de gaz.
5. Vous devez utiliser le régulateur de pression du gaz fourni avec le foyer d'extérieur au gaz.
6. N'essayez pas de débrancher le régulateur de gaz ou tout autre raccord pendant que le foyer d'extérieur au gaz est en marche.
7. Une bouteille de propane endommagée ou rouillée peut être dangereuse et devrait être inspectée par votre distributeur de gaz avant l'utilisation.
8. N'utilisez pas de bouteille de propane dont la valve ou toute autre partie est usée.
9. N'entreposez pas de bouteilles de propane de surplus ou débranchées près de ce foyer d'extérieur au gaz.
10. Les bouteilles de propane doivent être entreposées à l'extérieur, à un endroit bien aéré et hors de la portée des enfants. N'entreposez pas les bouteilles dans un bâtiment ou dans tout autre espace clos.
11. Ne vous servez pas du foyer d'extérieur au gaz si vous constatez une fuite de gaz.
12. Ne jamais se servir d'une flamme pour détecter les fuites de gaz.
13. Si le foyer d'extérieur au gaz est rangé à l'intérieur, les bouteilles de propane doivent être débranchées et entreposées à l'extérieur.
14. Soyez prudent lorsque vous transportez et entreposez des bouteilles de propane vides.

INSTRUCTIONS GÉNÉRALES D'UTILISATION

1. Ce foyer d'extérieur au gaz est exclusivement destiné à un usage en extérieur.
2. Installer le foyer sur de la brique, du béton, de la pierre ou sur toute autre surface de maçonnerie seulement.
3. Ne l'utilisez pas sur du gazon, sur une terrasse en bois naturel ou artificiel ou sur de l'asphalte.
4. Installez le foyer extérieur à une distance d'au moins 152,4 cm (60 po) de tout bâtiment, toute charpente, tout objet inflammable et tout véhicule.

5. Ne vous servez jamais du foyer sous des branches d'arbres basses, sous un treillage de jardin ou sous une installation en porte-à-faux en tout genre, incluant les terrasses couvertes.
6. N'utilisez jamais d'essence, d'alcool ou de liquides volatils pour allumer ou rallumer le feu.
7. N'entreposez pas d'essence, d'alcool ou de liquides volatils à proximité du foyer.
8. Ne jamais utiliser de charbon de bois ou d'autres combustibles solides dans ce foyer.
9. Ce foyer est exclusivement destiné à une utilisation par des adultes.
10. Ne laissez jamais des enfants utiliser le foyer. Les enfants et les animaux doivent faire l'objet d'une surveillance constante lorsqu'ils se trouvent à proximité du foyer.
11. Ne laissez jamais le foyer en marche sans surveillance.
12. Ne déplacez jamais le foyer lorsqu'il est en marche.
13. Soyez prudent : les surfaces du foyer deviendront très chaudes pendant son utilisation.
14. Avant de mettre en marche le foyer d'extérieur au gaz, assurez-vous toujours qu'il soit en bon état de fonctionnement.
15. Servez-vous du foyer d'extérieur au gaz seulement si toutes les pièces sont assemblées correctement.
16. N'utilisez pas le foyer à bord d'un véhicule ou d'un bateau.
17. N'utilisez pas le foyer par temps venteux.
18. Si le feu s'éteint, tournez la valve de la bouteille de propane afin de la fermer. Attendez cinq minutes avant d'essayer de rallumer le feu.
19. Ne changez pas la disposition de la pierre de lave ou du bois de chauffage quand un feu est allumé dans le foyer d'extérieur au gaz. Procédez à tous les ajustements avant d'allumer le feu.
20. Les utilisateurs devraient être conscients de la température élevée du feu et des dangers reliés au feu. Demeurez à distance de sécurité du foyer pour éviter les brûlures et éviter que vos vêtements ne prennent feu.
21. N'entreposez rien dans la base de pierre ou sous le foyer d'extérieur au gaz lorsque celui-ci est en marche.
22. Ne cuisinez pas à l'aide du foyer d'extérieur au gaz.
23. N'utilisez pas d'autres combustibles que ceux fournis avec le foyer d'extérieur au gaz.
24. Ne versez jamais d'eau dans le foyer d'extérieur au gaz.
25. Ne mettez pas le foyer en marche si certaines parties ont été immergées sous l'eau.
26. Ne déposez pas de vêtements ou de matières inflammables sur le dessus ou sur toute autre partie du foyer d'extérieur au gaz.
27. Ne vous penchez pas au-dessus du foyer d'extérieur au gaz lorsqu'il est en marche.
28. Pour une aération adéquate, les ouvertures de la base de pierre doivent être libres et non obstruées.
29. N'appuyez pas vos pieds sur le foyer d'extérieur au gaz.
30. N'exposez pas le foyer au gel s'il a été exposé à l'humidité.
31. Tout grillage ou dispositif de protection retiré pour l'entretien doit être remis en place avant de mettre le foyer d'extérieur au gaz en marche.
32. L'installation et la réparation doivent être effectuées par un agent de service qualifié. L'appareil doit être inspecté avant l'utilisation et au moins tous les ans par un agent de service qualifié. Un nettoyage plus fréquent peut être requis si nécessaire. Il est impératif que le compartiment de commande, les brûleurs et les passages de circulation d'air de l'appareil soient maintenus propres.
33. Soyez prudent après l'extinction du feu; les surfaces demeureront chaudes pendant un certain temps.
34. Assurez-vous que le foyer d'extérieur au gaz soit complètement refroidi avant de le recouvrir.
35. Retirez la housse lorsque le foyer d'extérieur au gaz est en marche.
36. DANGER: Garder les enfants loin des pierres volcaniques. Garder le capot de feu en place lorsqu'il n'est pas utilisé. Ne laissez pas les enfants jouer avec les pierres volcaniques car ils peuvent être un risque d'étouffement.

MATÉRIEL



AA



BB



CC



DD



EE

Article	La description	Qté
AA	M6 x 10 Boulon	22
BB	M4 x 8 Boulon	1
CC	Rondelle	1
DD	Bouton de porte	1
EE	M6 x 20 Boulon	4

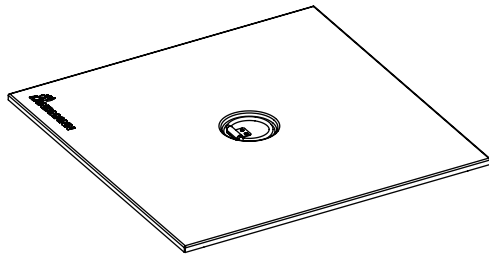
Avant de commencer l'assemblage de ce produit, assurez-vous que toutes les pièces sont présentes. Comparer les pièces avec la liste des contenus et la liste des contenus du matériel. Si une partie semble manquer ou endommager ne commencez pas l'assemblage de ce produit et appelez le service à la clientèle.

Temps de montage estimé: 30 minutes

Outils nécessaires à l'assemblage (non inclus): Tournevis phillips et une clé à molette sont

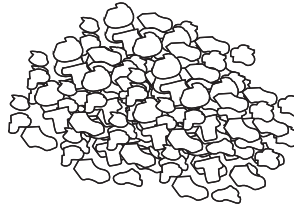
LISTE DES PIÈCES

Lorsque vous décompressez la fosse d'incendie du carton, assurez-vous de trouver et de se familiariser avec toutes les pièces ci-dessous. Soyez prudent car certaines parties peuvent avoir des bords tranchants.



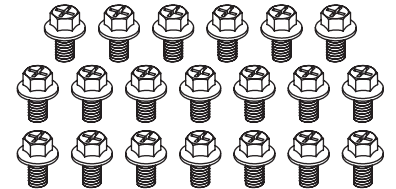
A

(1) COUVERCLE D'INCENDIE



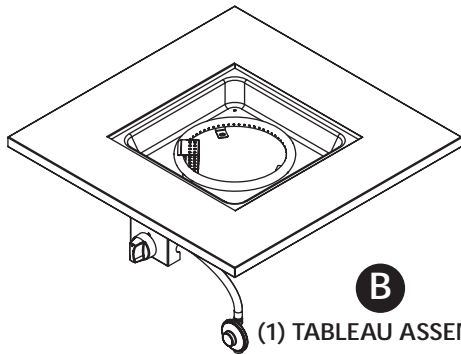
F

(1 BOÎTE) PIERRE VOLCANIQUE



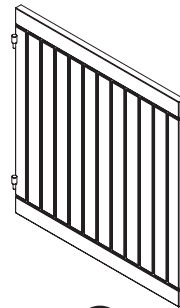
AA

(22) M6 X 10 BOULON



B

(1) TABLEAU ASSEMBLÉE



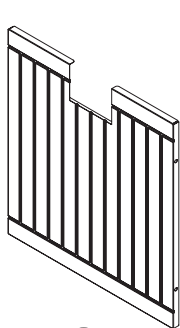
C

(1) PANNEAU DE PORTE



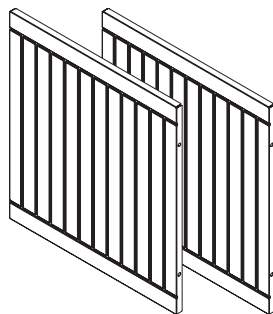
BB

(1) M4 X 8 BOULON



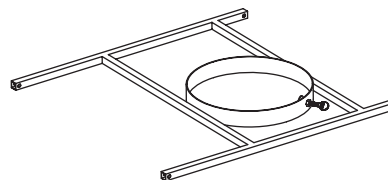
D

(1) PANNEAU AVANT



E

(1) PANNEAU LATÉRAL OU ARRIÈRE



K

(1) STRUCTURE DE BASE



CC

(1) RONDELLE



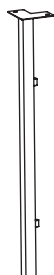
DD

(1) BOUTON DE PORTE



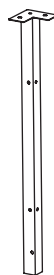
G

(1) PIED AVANT GAUCHE



H

(1) PIED AVANT DROIT



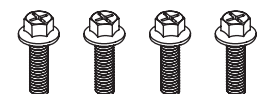
I

(1) PIED ARRIÈRE GAUCHE



J

(1) PIED ARRIÈRE DROIT



EE

(4) M6 X 20 BOULON

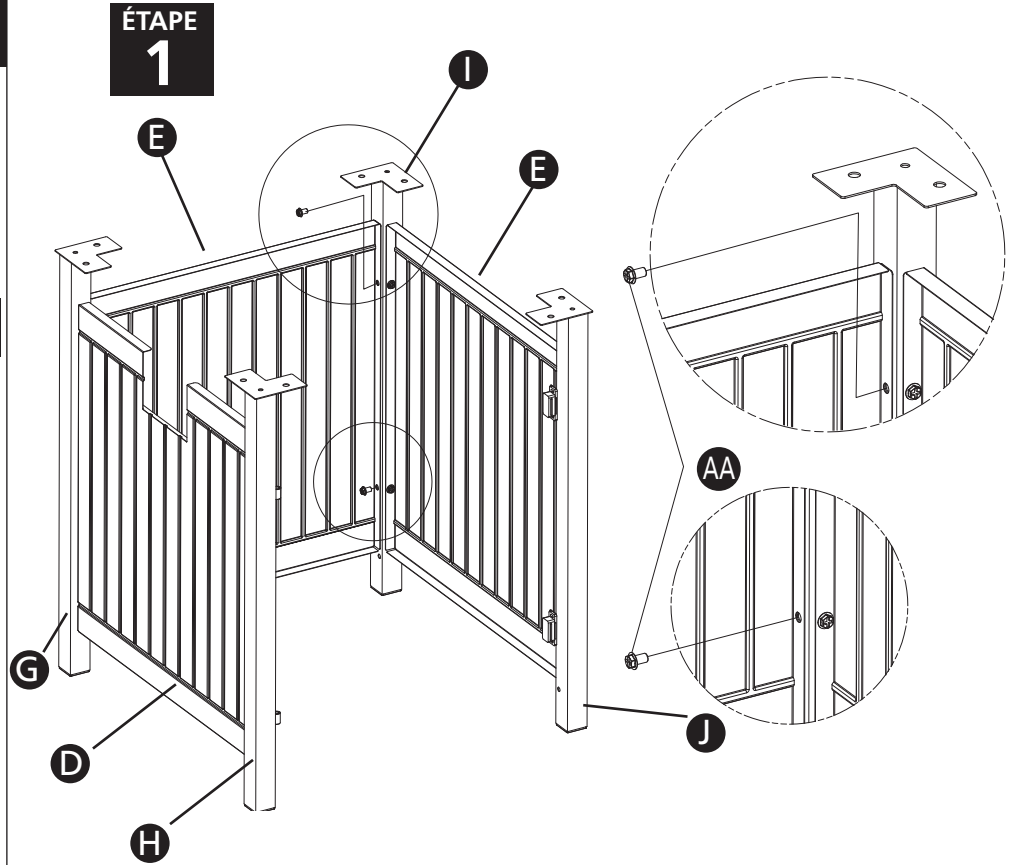
**WELSEY INSTRUCTIONS
D'ASSEMBLAGE DE LA TABLE DE FEU**

Un tournevis Phillips et une clé à molette sont nécessaires pour l'assemblage.

Temps d'assemblage: 30 minutes

**ÉTAPE 1: ASSEMBLER LES PANNEAUX
AUX JAMBES**

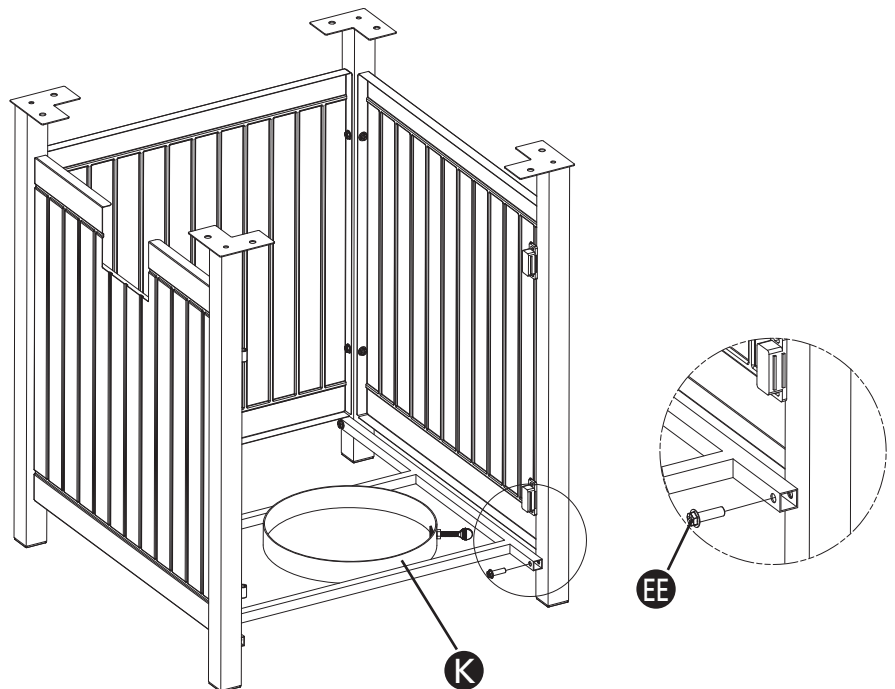
Assembler chaque panneau [D, E] aux jambes [G,H,I,J] en utilisant (12) Boulons M6 x 10mm [AA]. Disposez les panneaux exactement comme indiqué. Serrez bien les boulons.



ÉTAPE 2

**ÉTAPE 2: ASSEMBLER LA STRUCTURE DE
BASE**

Placez la structure de base [K] à l'intérieur et alignez-vous avec les supports de trous sur les jambes. Assembler en utilisant (4) boulons M6 x 20MM [EE]. Serrez bien les boulons.

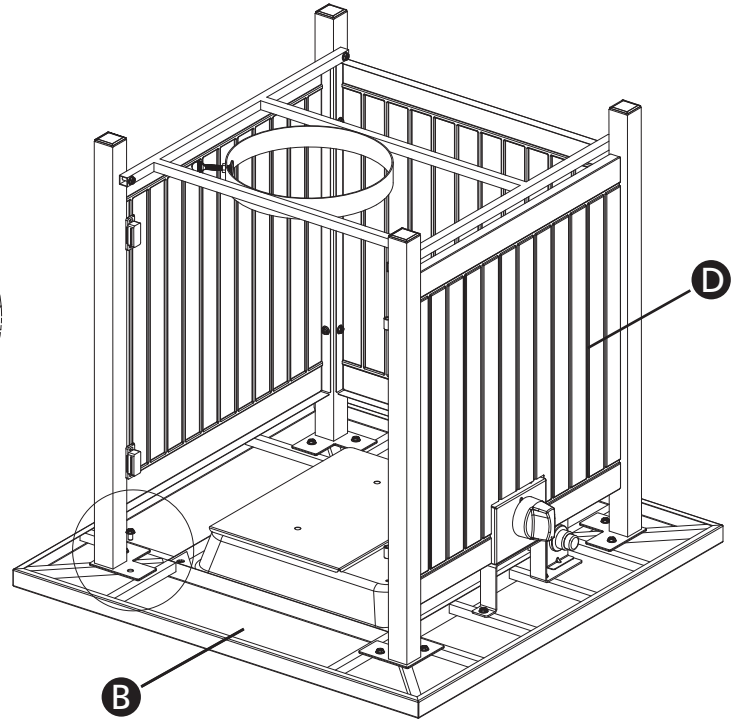
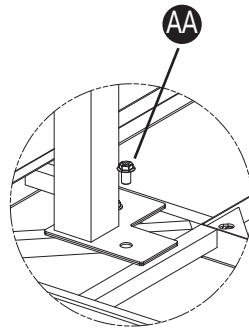


**WELSEY INSTRUCTIONS
D'ASSEMBLAGE DE LA TABLE DE FEU**

**ÉTAPE
3**

ÉTAPE 3: ASSEMBLER L'ASSEMBLAGE DE LA TABLE

Tournez soigneusement l'ensemble de table [B] sur un morceau de carton ou autre matériau souple. Alignez le panneau avant [D] avec le panneau de commande et placez-le sur l'ensemble de la table. Alignez les trous et utilisez (8) Boulons M6 x 10MM [AA] pour assembler. Commencez tous les boulons avant de serrer fermement tous les boulons.

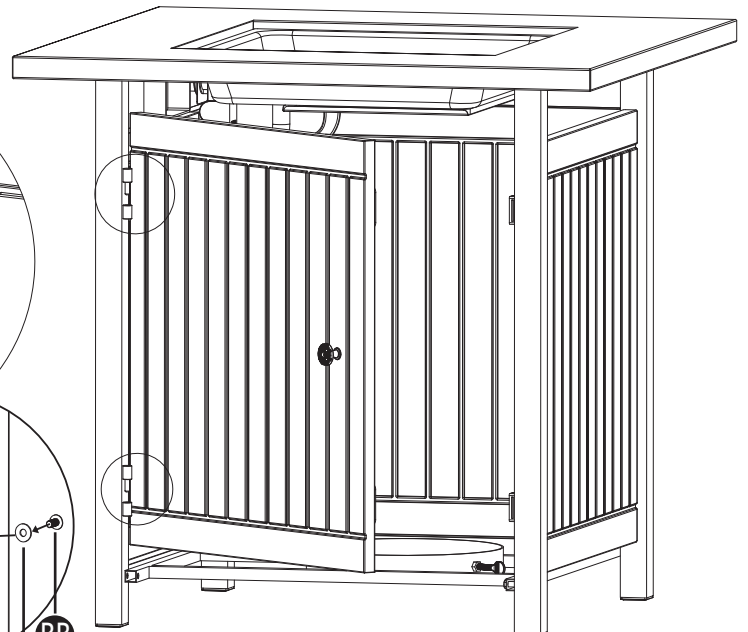
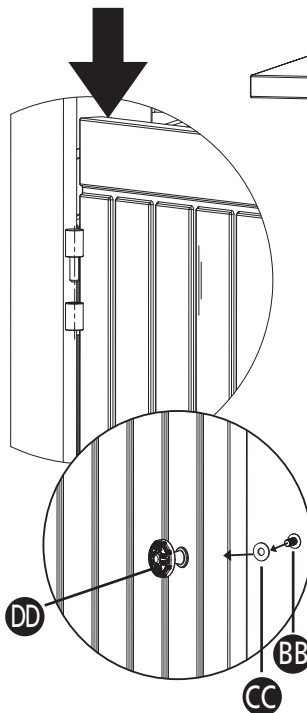


**ÉTAPE
4**

ÉTAPE 4: ASSEMBLER LA PORTE

Assembler le bouton de porte [DD] au panneau de la porte [C] en utilisant (1) M4 x 8MM boulon [BB] et (1) rondelle [CC]. Serrez bien le boulon.

Insérer les axes de porte dans les douilles. Pivoter la porte fermée sur les loquets magnétiques.

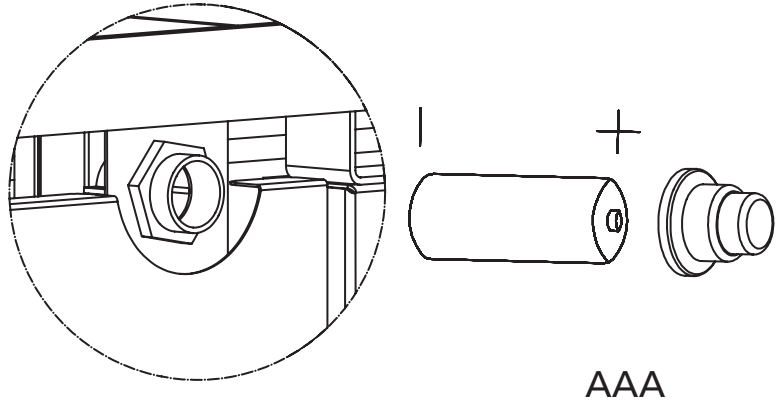


WELSEY INSTRUCTIONS D'ASSEMBLAGE DE LA TABLE DE FEU

ÉTAPE 5: ASSEMBLER LA BATTERIE

Retirez le capuchon de l'allumage et faites glisser une nouvelle pile AAA (non incluse) dans la fente de la batterie. Le côté négatif de la batterie est entré en premier. Réinstallez le capuchon de l'allumage en toute sécurité. Assurez-vous que l'allumeur fonctionne en appuyant sur le capuchon et en entendant l'étincelle à partir de l'électrode située à l'intérieur de la protection de l'allumeur.

ÉTAPE 5



ÉTAPE 6: PLACER LA PIERRE VOLCANIQUE

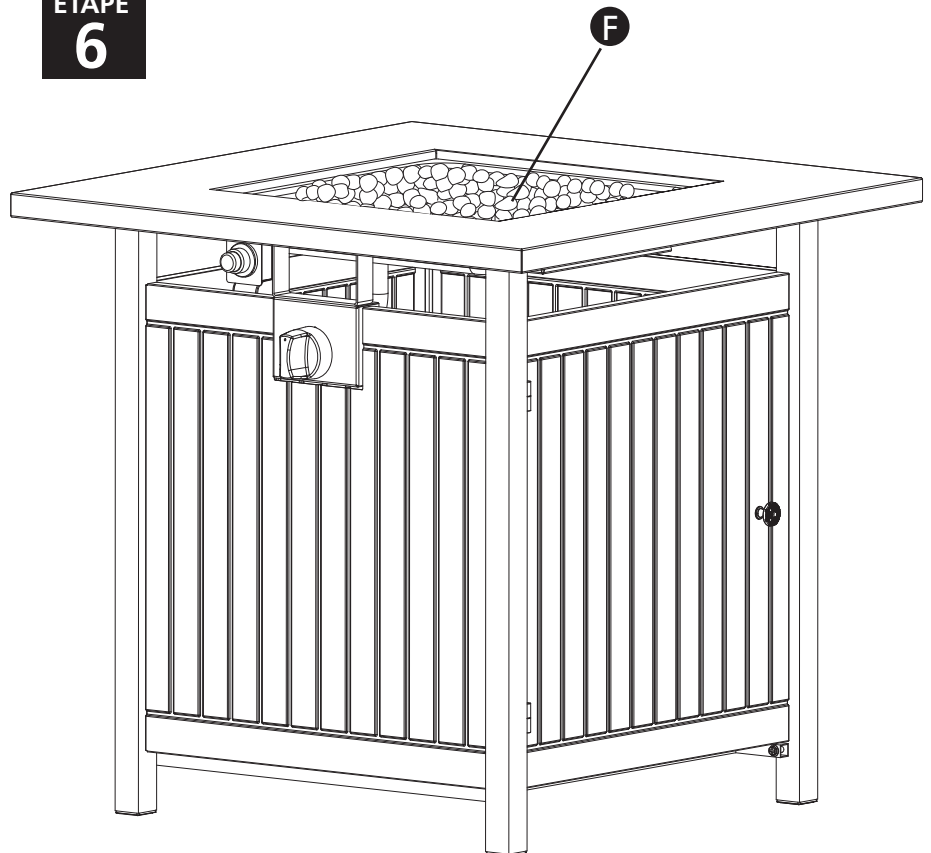
Ouvrez soigneusement l'emballage pour la pierre volcanique [F] et versez lentement la pierre volcanique uniformément dans le tiroir d'incendie.

Pour assurer un bon fonctionnement, assurez-vous que la pierre volcanique ne pénètre pas à l'intérieur de la protection de l'allumeur. Les pierres de verre peuvent être placées autour et au-dessus de la garde de l'allumeur. Garder à l'intérieur du garde de l'allumeur clair.

ATTENTION: Manipulez soigneusement la pierre volcanique car il pourrait y avoir des copeaux de verre ou des éclats, ils peuvent être très précis.

DANGER: Gardez les enfants loin des pierres volcaniques. Gardez le capot de feu en place lorsqu'il n'est pas utilisé. Ne laissez pas les enfants jouer avec les pierres volcaniques car ils peuvent être un risque d'étouffement.

ÉTAPE 6



**INSTRUCTIONS D'INSTALLATION
DU PROPANE TANK**

Aucun outil nécessaire.

Temps d'assemblage: 5 minutes

⚠ REMARQUER!! Cette table à feu a été conçue pour utiliser un réservoir de carburant à 20 lb de propane uniquement. Ne pas se connecter à un aliment à distance. Ne pas utiliser de gaz naturel.

⚠ MISE EN GARDE!! Assurez-vous que le bouton de commande est en position OFF avant d'assembler le réservoir d'essence au propane.

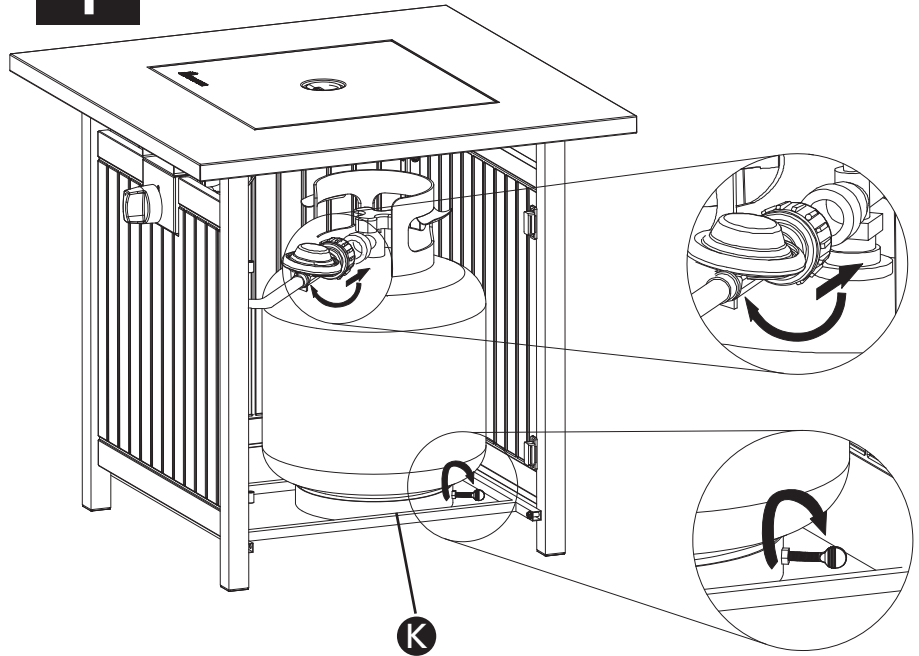
ÉTAPE 1: PLACER LE TANQUE DE PROPANE

Retirez et placez le panneau de porte sur le côté. Placez un réservoir de propane de 20 lb (non inclus) sur la structure de base [K]. Fixez le réservoir de propane avec le boulon d'aile. Serrez jusqu'à ce que le réservoir soit bien fixé.

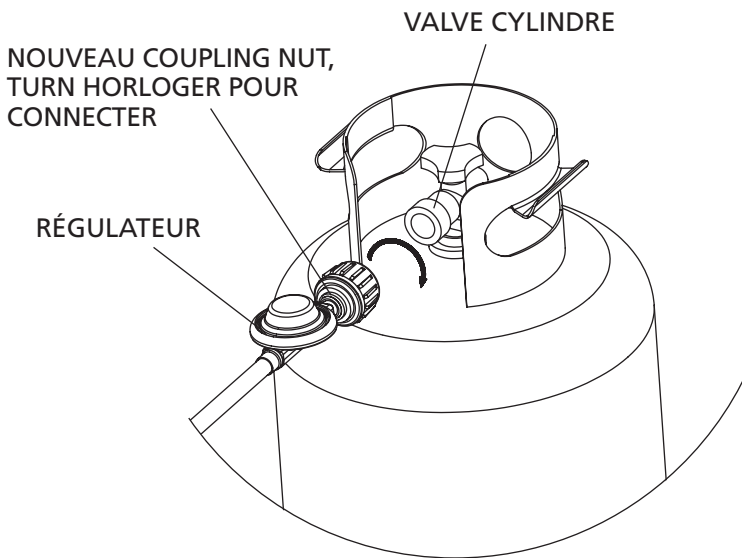
ÉTAPE 2: ASSEMBLER LE TUYAU DE CARBURANT AU TANQUE DE PROPANE DE CARBURANT

Fixez le régulateur au réservoir d'essence au propane. Serrez fermement à la main.

**ÉTAPE
1**



**ÉTAPE
2**

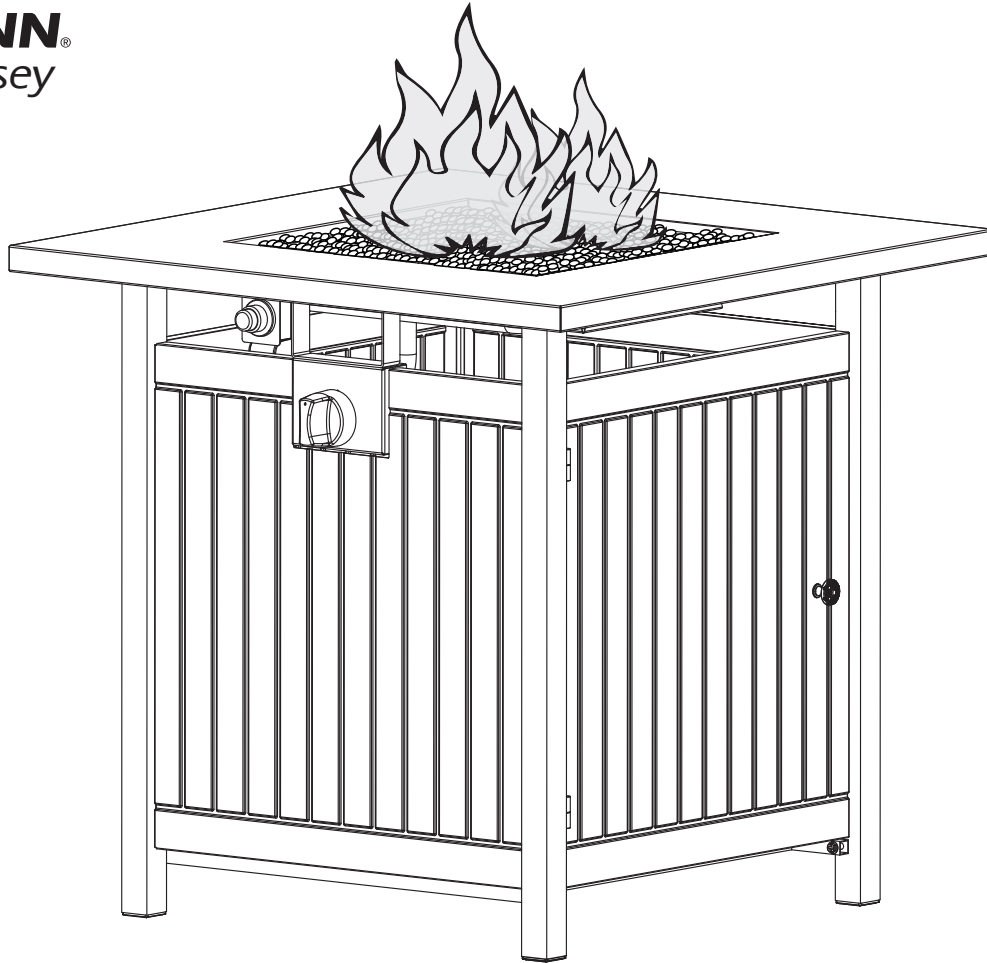


INSTRUCTIONS DE TEST DE FUTITES

Avant d'utiliser, il est judicieux d'effectuer un test de fuite. Faites-le dans un endroit bien ventilé à l'extérieur, loin de toute source d'étincelles comme les interrupteurs d'éclairage.

Branchez le régulateur sur le réservoir de carburant propane, tournez le bouton sur le réservoir de propane, mais gardez le bouton de commande sur la table anti-incendie en position OFF. Cela pressurisera les lignes de carburant. Verser une solution d'eau savonneuse sur les connexions de la ligne de carburant. Si une fuite est présente, des bulles se formeront lors de la fuite. Si une fuite est détectée ou que le gaz sème, éteignez le gaz au réservoir de propane. Serrez la connexion et vérifiez à nouveau le test. Si la fuite ne peut pas être corrigée, n'utilisez pas la table feu jusqu'à ce que des réparations puissent être effectuées.

NE PAS RETOURNER LE PRODUIT AU MAGASIN. SI VOUS AVEZ DES QUESTIONS OU AVEZ UN PROBLÈME AVEC L'ASSEMBLÉE, VEUILLEZ APPELER LE 1-800-321-3473 POUR L'ASSISTANCE.

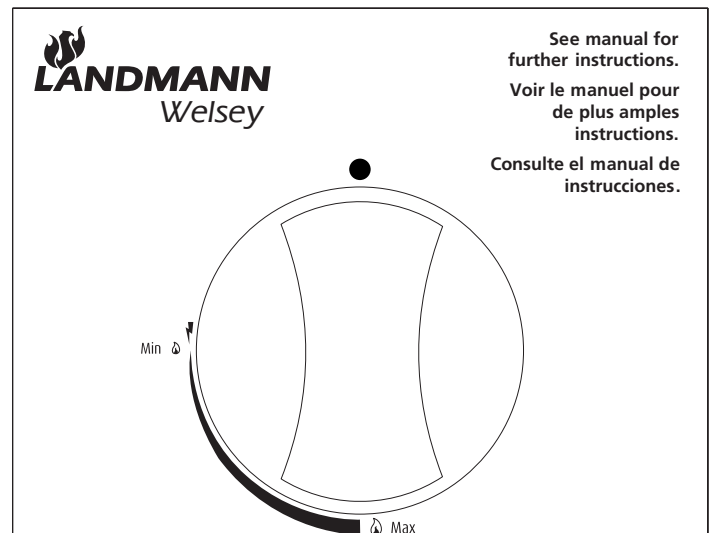


INSTRUCTIONS DE FONCTIONNEMENT DE WELSEY

ATTENTION

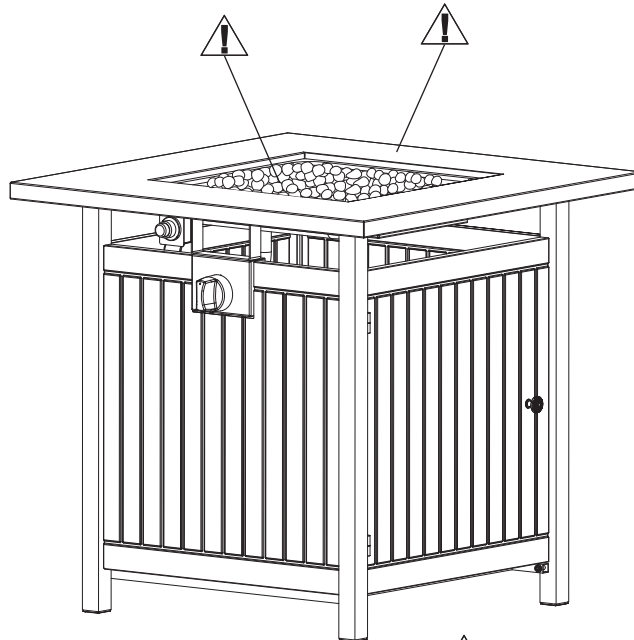
Le foyer et la pierre volcanique deviennent très chaud. Soyez prudent autour de la table à feu. Gardez la zone de la table feu et libre de matériaux combustibles.

1. La table anti-incendie doit se trouver à un minimum de 60 pouces des murs, des rails, des meubles ou de tout autre matériau combustible.
2. Assurez-vous que le carburant adéquat est dans le réservoir de propane.
3. Assurez-vous toujours que le bouton de commande est en position "●" avant d'ouvrir le bouton de propane.
4. Tournez lentement le bouton de propane sur OUVERT.
5. Appuyer sur le bouton de commande et le tourner dans le sens anti-horaire sur « Min ».
6. Appuyer sur le bouton de l'allumeur pour allumer le brûleur. Relâcher le bouton de commande après 45 secondes.
7. Régler la flamme à la hauteur souhaitée avec le bouton de commande.
8. Pour éteindre, tourner le bouton du réservoir de propane sur FERMER.
9. Attendez que l'incendie s'éteigne pour purger les conduites de carburant avant d'éteindre le bouton de commande sur la table anti-incendie.



ENTRETIEN ET MAINTENANCE

- AVANT CHAQUE UTILISATION, INSPECTEZ VISUELLEMENT TOUTES LES PIÈCES POUR ASSURER LEURS COMMANDES DE TRAVAIL.
- PRENEZ SOIN DE VOUS LORSQUE VOUS VOUS DÉBROUILLEZ, CAR LE PLATEAU DE FEU PEUT MOUILLER OU SE COINCER OU SE COINCER S'IL EST MANIPULÉ OU ÉJECTÉ.
- LA TABLE DE FEUILLE PEUT ÊTRE NETTOYÉE AVEC UN SOUPLE MILITAIRE ET UNE SOLUTION D'EAU. UTILISEZ UNE SOUPAPE SOUDANTE, NE JAMAIS UTILISER DES MATÉRIEAUX COULEURS OU ROUGES. NE PERMETTENT PAS LA PIERRE VOLCANIQUE OU LE BRÛLEUR / COMPOSANTS POUR DEVENIR HUMIDES.
- GARDER LE TABLEAU DE FEU DU TEMPS ET DES ÉLÉMENTS.
- MISE EN PLACE DE LA TABLE DE FEU À UN ENDROIT SEC SUR LE TEMPS.
- UTILISEZ LA COUVERCLE DE LA TABLE DE FEU APRÈS QUE LA TABLE DE FEUILLE EST COMPLÈTEMENT FRAÎCHE AU TOUCHÉ.
- UTILISEZ LA COUVERTURE DU TEMPS À TOUS LES TEMPS QUOI N'EST PAS UTILISÉ.
- LE RESTAURANT DE PROPANE DE CARBURANT DOIT ÊTRE DÉCONNECTÉ DE LA TABLE DE FEUILLES AVANT QUE VOUS POUVEZ ÊTRE STOCKÉ À L'INTÉRIEUR.



ATTENTION!
SURFACES CHAUDES
PENDANT L'UTILISATION



CARACTÉRISTIQUES

Conforme à ANSI STD Z21.97-2017 Certifié à CSA STD2.41-2017 Appareil à gaz décoratif extérieur.

ÉVALUATION D'ENTRÉE (BTU) 50,000

20 LB. TANK DE
TYPE DE CARBURANT . . PROPANE DE CARBURANT

8 HRS
TEMPS DE RUN ESTIMÉ (HAUT) . . . (MOYENNE)

BATTERIE (1 REQUIS) AAA

Félicitations pour votre achat de la table Welsey Outdoor Gas Fire! Chez Landmann USA, nous nous efforçons de vous fournir un produit facile à utiliser et facile à assembler. Cependant, dans le cas improbable où votre colis devrait avoir une pièce manquante ou défectueuse, contactez-nous à: customerservice@landmann.com/us -OU- 1-800-321-3473 M-F 8-5 ET. Une preuve d'achat peut être requise. Je vous remercie!

GARANTIE LIMITÉE

Landmann É.-U. (« Landmann ») garantit à l'acheteur que ce produit est exempt de vice matériel et de fabrication, et ce, pour une durée de UN (1) AN. Cette garantie limitée s'applique exclusivement à l'acheteur qui présente une preuve d'achat. L'application de cette garantie se limite exclusivement à l'usage domestique et non commercial. Tout retour de marchandise doit être fait par expédition en port payé.

Cette garantie ne couvre pas l'usure normale des pièces, ni les dommages qui résultent d'une des causes suivantes : négligence, abus, mauvais emploi, installation inadéquate, entretien inadéquat ou omission de procéder à un entretien normal, ou tout usage contraire aux instructions d'utilisation. Qui plus est, Landmann ne garantit d'aucune manière la finition de la peinture ou de la pierre, ni les dommages sur la surface du produit, ni la détérioration due à toute exposition à des phénomènes météorologiques normaux ou violents ou à des produits chimiques. Cette garantie ne couvre pas les marques sur la surface du foyer ni les dommages causés par la chaleur, qui sont considérés comme de l'usure normale.

Ces garanties ne couvrent pas le verre rock. Les frappes, les fissures ou les pauses dans la table par utilisation normale ne sont pas couvertes par cette garantie. Ces garanties excluent toute responsabilité pour tout dommage indirectement indirect ou indirect ou perte de propriété de quelque nature que ce soit.

Ne retournez pas le produit ou des pièces du produit au détaillant ou au fabricant sans avoir obtenu d'autorisation écrite.

Contactez notre service à la clientèle au: 1 800 321-3473 ou customerservice@landmann.com/us. Tout retour de produit ou de pièces doit être fait par expédition en port payé.

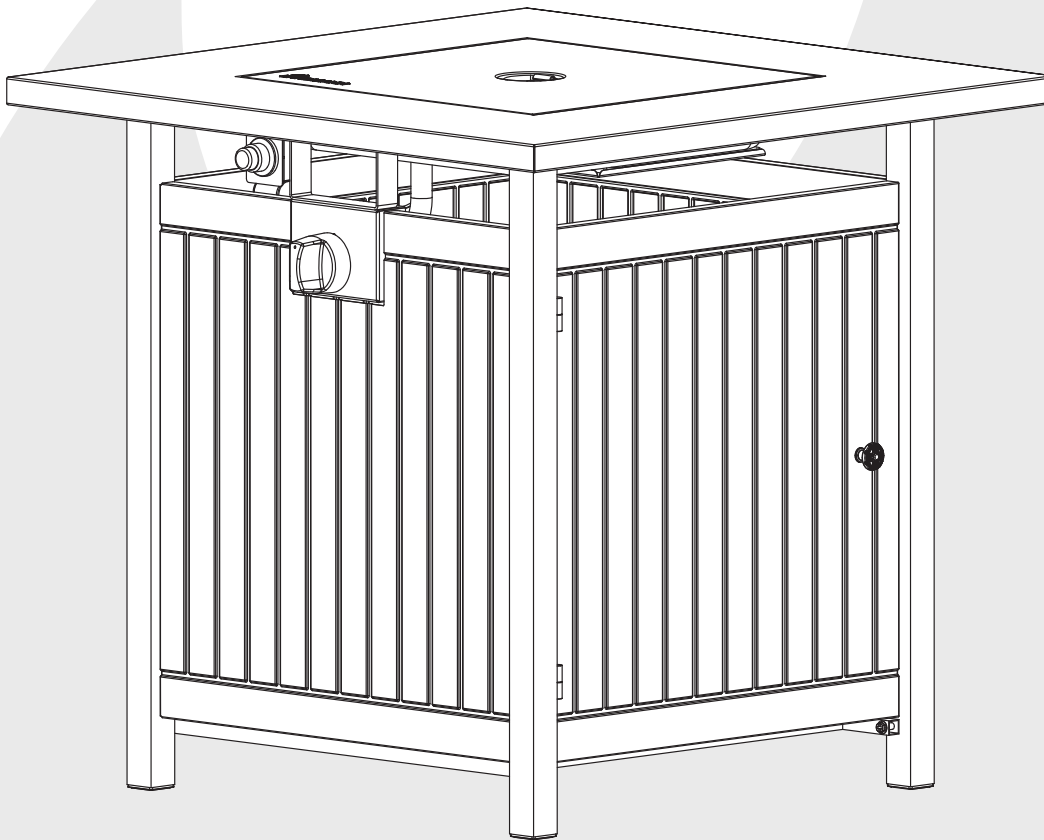
La réparation ou le remplacement du produit pendant la période de validité de cette garantie est votre recours exclusif. Landmann se dégage de toute responsabilité pour tout dommage qui n'est pas d'ordre matériel, qui est indirect ou pour un bris, de toute garantie expresse ou tacite sur ce produit ou sur toute pièce du produit, sauf dans la mesure où la loi applicable l'interdit. Certaines juridictions n'autorisent pas l'exclusion ou la limitation des dommages accessoires ou qui ne sont pas d'ordre matériel, ou autorisent la limitation de la durée de validité d'une garantie tacite. Par conséquent, il est possible que la limitation ou l'exclusion ci-dessus ne s'applique pas à vous. Cette garantie vous donne des droits spécifiques reconnus par la loi. Il est possible que vous ayez d'autres droits, qui varient d'une juridiction à l'autre.

DÉPANNAGE		
PROBLÈME	CAUSE POSSIBLE	MESURES CORRECTIVES
ODEUR DE GAZ	Fuite de gaz	<ul style="list-style-type: none"> • Vérifiez toutes les connexions de gaz. • Utilisez une solution d'eau savonneuse pour déterminer d'où provient la fuite. • Si la fuite ne peut être trouvée et que le gaz est encore sentait, n'essayez pas d'allumer un appareil. • Ne touchez aucun interrupteur électrique. • N'utilisez aucun téléphone. • Appelez immédiatement votre fournisseur de gaz d'un téléphone voisin. • Si vous ne pouvez pas joindre votre fournisseur de gaz, appelez le service des incendies.
NE SERA PAS LÉGER	Pression de gaz faible Ports obstrués ou sales Orifice bloqué La batterie est expirée Câblage ou électrode défectueux	<ul style="list-style-type: none"> • Vérifier la pression d'alimentation en gaz • Nettoyer les ports du brûleur • Vérifier l'ouverture des orifices • Remplacez la batterie • Vérifiez toutes les connexions filaires, lorsque le bouton de commande est pressé, une action d'allumage peut être entendue dans la zone du brûleur.
BRÛLEUR INCORRECTE FLAMME	Pression de gaz incorrecte Orifice bloqué Bouché ou sale Ports de brûleur	<ul style="list-style-type: none"> • Vérifier la pression d'alimentation en gaz • Vérifier l'ouverture des orifices • Nettoyer les ports du brûleur
CRACKING OU POPPING	Les pierre volcanique sont humides	<ul style="list-style-type: none"> • Laisser sécher les pierre volcanique avant de les utiliser.



LANDMANN®

Welsey



Instrucciones de montaje y uso del modelo: 22597

VER. 1, 08/08/2019



LEA POR FAVOR TODO EL
MANUAL Y NOTA TODAS LAS
ADVERTENCIAS ANTES DE USAR

20 libras de tanque de combustible de
propano no incluido.
1 pila AAA no incluida.



Intertek
5005544

De acuerdo a ANSI STD Z21.97-2017
Certificado a CSA STD 2.41-2017
Aparatos de gas decorativos al aire libre

⚠ PELIGRO
PELIGRO DE INCENDIO Y DE
EXPLOSIÓN
Si huele a gas:
• Corte el gas del aparato.
• Apague cualquier llama abierta.
• Si el olor persiste, aléjese de inmediato.
• Después de abandonar la zona, póngase en contacto con su proveedor de gas o con los bomberos.
El incumplimiento de esta advertencia de peligro podría provocar incendios o explosiones que podrían causar daños materiales, lesiones personales o incluso la muerte.

⚠ ADVERTENCIA
No guarde ni use gasolina u otros vapores y líquidos inflamables cerca de este o de cualquier otro aparato.

Un cilindro LP no conectado para su uso no se debe almacenar en las inmediaciones de este o de cualquier otro aparato.

⚠ ADVERTENCIA
Solo para uso en exteriores. La instalación y el servicio deben efectuarse por un instalador calificado, una agencia de servicio o el proveedor de gas.

INSTALADOR: Deje este manual junto al aparato.
CONSUMIDOR: Guarde este manual para consultas futuras.

⚠ ADVERTENCIA
Si la información que figura en este manual no se sigue exactamente, puede producirse un incendio o explosión que cause daños materiales, lesiones graves o la muerte.

⚠ ADVERTENCIA
PELIGRO DE MONOXIDO DE CARBONO
ESTE APARATO PUEDE PRODUCIR MONOXIDO DE CARBONO QUE NO TIENE OLOR.
USARLO EN UN ESPACIO CERRADO PUEDE MATARLO.
NUNCA UTILICE ESTE APARATO EN UN ESPACIO CERRADO COMO CAMPESOR, TIENDA, COCHE O HOGAR.

⚠ ADVERTENCIA: ESTO PUEDE EXPONERTE A PRODUCTOS QUÍMICOS EN ESTE PRODUCTO, INCLUYENDO COMPUESTOS DE PLOMO, LOS CUALES SON CONOCIDOS EN EL ESTADO DE CALIFORNIA COMO CAUSANTES DE CÁNCER, DEFECTOS DE NACIMIENTO Y OTROS DAÑOS REPRODUCTIVOS.
Para más información, viste www.P65Warnings.ca.gov

⚠ ADVERTENCIA: COMBUSTIBLES UTILIZADOS EN LOS APARATOS DE GAS PROPANO LICUADO Y LOS PRODUCTOS DE LA COMBUSTIÓN DE DICHS COMBUSTIBLES, PUEDE EXPONERTE A SUSTANCIAS QUÍMICAS, INCLUIDO EL MONÓXIDO DE CARBONO, QUE ES CONOCIDO POR EL ESTADO DE CALIFORNIA PARA CAUSAR DEFECTOS DE NACIMIENTO Y OTROS DAÑOS REPRODUCTIVOS.
Para más información, viste www.P65Warnings.ca.gov

⚠ ADVERTENCIA: ESTE PRODUCTO PUEDE EXPONERLO A PRODUCTOS QUÍMICOS, INCLUIDO DEHP, QUE EL ESTADO DE CALIFORNIA RECONOCE COMO CAUSA DE CÁNCER, DE MALFORMACIONES CONGENITAS O OTROS DAÑOS AL SISTEMA REPRODUCTOR.
Para más información, viste www.P65Warnings.ca.gov



Lea y comprenda todo el manual antes de intentar fijar y operar esta chimenea a gas para exteriores.

ADVERTENCIA

LA INSTALACIÓN, LA ADAPTACIÓN, LA MODIFICACIÓN, EL SERVICIO O EL MANTENIMIENTO INCORRECTOS PUEDEN CAUSAR UNA LESIÓN GRAVE O DAÑOS A LA PROPIEDAD.

ADVERTENCIAS SOBRE EL TANQUE DE COMBUSTIBLE PROPANO

1. Si usted observa, huele o escucha el silbido de gas que se escapa del cilindro de propano, haga lo siguiente:
 - A) Desconecte el cilindro de gas propano.
 - B) No intente arreglar el problema usted mismo.
 - C) Llame a su proveedor de gas y/o al departamento de bomberos para pedir ayuda.
2. Utilice solamente gas PROPANO. No utilice gas natural. La conversión o el intento de uso de gas natural en una unidad depropano son peligrosos. Ajuste la presión de suministro mínima de gas a 5 PSI y la presión de suministro máxima a 250 PSI.
3. Esta chimenea para exteriores utiliza un cilindro de combustible propano de 9 kg (20 lb). El cilindro de propano debe ser construido y marcado según las especificaciones para los cilindros de gas del Departamento de Transporte (Department of Transportation, DOT) de los EE. UU. o los Estándares Nacionales de Canadá, CAN/CSA-B339, cilindros, esferas y tubos para el transporte de mercancías peligrosas y la puesta en inicio, según corresponda.
4. Para uso solo de cilindros marcados con PROPANO. No la conecte a un suministro de gas remoto.
5. Se debe utilizar el regulador de presión del gas proporcionado con la chimenea a gas para exteriores.
6. No intente desconectar el regulador de gas ni ningún otro accesorio de gas mientras la chimenea a gas para exteriores esté funcionando.
7. Un cilindro de propano marcado u oxidado puede ser peligroso y debe ser revisado por su proveedor de gas antes de utilizarlo.
8. No utilice un tanque de combustible propano con una válvula dañada ni con ninguna otra pieza gastada.
9. No guarde un tanque de combustible propano adicional ni desconectado cerca de esta chimenea a gas para exteriores.
10. Los tanques de combustible propano deben ser almacenados en el exterior, en áreas bien ventiladas, fuera del alcance de los niños. No los almacene en un edificio ni en ninguna otra área cerrada.
11. No encienda la chimenea a gas para exteriores si hay una fuga de gas.
12. Nunca utilice una llama para corroborar la presencia de pérdidas de gas.
13. Si la chimenea a gas para exteriores es almacenada en el interior, el tanque de combustible propano debe estar desconectado y almacenado en el exterior.
14. Tenga cuidado al transportar y almacenar los tanques de combustible propano vacíos.

ADVERTENCIAS DE USO GENERAL

1. Esta chimenea a gas para exteriores está diseñada para uso exclusivo en exteriores.
2. Úsela únicamente sobre ladrillo, concreto, piedra u otras superficies de mampostería.
3. No la use sobre césped, terrazas de madera, terrazas de madera artificial o asfalto.
4. Mantenga la chimenea a gas para exteriores a una distancia mínima de 1,52 m (60 pulg.) de edificios, estructuras y cualquier artículo inflamable y vehículo.

5. Nunca la use debajo de ramas de árboles bajas, enrejados, objetos salientes de cualquier clase, incluidos porches cubiertos.
6. Nunca use gasolina, alcohol ni otros líquidos volátiles para prender o reavivar el fuego.
7. No almacene gasolina, alcohol o líquidos volátiles cerca de la chimenea.
8. Nunca use carbón ni ningún otro combustible sólido en esta chimenea.
9. La chimenea a gas para exteriores debe ser usada solo por adultos.
10. Nunca permita que un niño use la chimenea a gas para exteriores. Se debe supervisar a los niños y las mascotas atentamente cuando se encuentran cerca de la chimenea.
11. No la deje desatendida en ningún momento durante su uso.
12. No mueva la chimenea a gas para exteriores mientras esté en uso.
13. Tenga precaución, dado que las superficies se calentarán demasiado durante su uso.
14. Antes de cada uso, asegúrese de que la chimenea a gas para exteriores esté en buen estado.
15. No utilice la chimenea a gas para exteriores a menos que todas las piezas se encuentren en su lugar.
16. No la utilice en vehículos ni en barcos.
17. No la use en presencia de vientos fuertes.
18. Si durante su uso, el fuego sale hacia afuera, gire la perilla del tanque de combustible propano para cerrarlo. Espere cinco minutos antes de intentar volver a prenderla.
19. No ajuste las rocas de lava ni la leña si hay fuego en la chimenea a gas para exteriores. Realice todos los ajustes necesarios antes de prender el fuego.
20. Los usuarios deben conocer los peligros del fuego y de las temperaturas altas. Mantenga una distancia segura para evitar quemarse o prenderse fuego la ropa.
21. No guarde nada en la base de piedra ni debajo de la chimenea a gas para exteriores mientras esté en uso.
22. No utilice esta chimenea a gas para exteriores para cocinar.
23. No utilice ningún otro material combustible que no sea el proporcionado con la chimenea a gas para exteriores.
24. Nunca vierta agua en la chimenea a gas para exteriores.
25. No la utilice si alguna de las piezas ha estado sumergida en agua.
26. Nunca coloque ropa ni ningún otro material inflamable sobre la chimenea a gas para exteriores ni en ninguna otra parte de la chimenea.
27. No se apoye sobre la chimenea a gas para exteriores mientras esté en uso.
28. Para lograr una ventilación correcta, las aberturas de la base de piedra deben mantenerse libres y despejadas.
29. No apoye los pies en la chimenea a gas para exteriores.
30. No permita que la chimenea a gas para exteriores se congele si ha estado expuesta a humedad.
31. Cualquier cubierta de seguridad u otro dispositivo de protección extraído para hacerle una revisión deben volver a colocarse antes de operar la chimenea a gas para exteriores.
32. La instalación y reparación deben efectuarse por un técnico de servicio cualificado. El aparato debe ser inspeccionado antes de su uso y al menos una vez al año por un técnico de servicio cualificado. Es posible que se requiera una limpieza más frecuente. Es imprescindible que el compartimento de control, los quemadores y los conductos de aire circulante del aparato se mantengan limpios.
33. Tenga precaución después de apagar el fuego; las superficies seguirán calientes por un tiempo.
34. La chimenea a gas para exteriores debe estar completamente fría antes de poder utilizar una cubierta.
35. Se debe quitar la cubierta cuando se encuentre en funcionamiento.
36. PELIGRO: Mantenga a los niños lejos de las rocas de lava. Mantenga la cubierta de la hoguera en su lugar cuando no esté en uso. No permita que los niños jueguen con las rocas de lava ya que pueden ser un peligro de asfixia.

HARDWARE



AA



BB



CC



DD



EE

Artículo	Descripción	Cantidad
AA	M6 x 10 Perno	22
BB	M4 x 8 Perno	1
CC	Arandela	1
DD	Perilla de la puerta	1
EE	M6 x 20 Perno	4

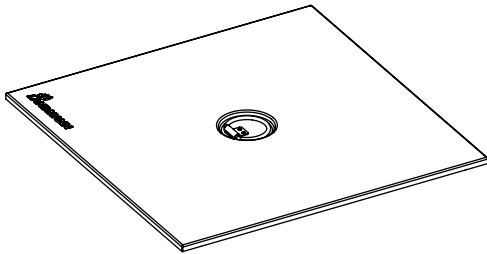
Antes de comenzar el montaje de este producto, asegúrese de que todas las piezas estén presentes. Compare las piezas con la lista de contenido del paquete y la lista de contenido del hardware. Si alguna pieza parece estar ausente o dañada, no comience a ensamblar este producto y llame al servicio de atención al cliente.

Tiempo estimado de montaje: 30 minutos

Herramientas necesarias para el montaje (no incluido): Destornillador phillips y una llave ajustable para

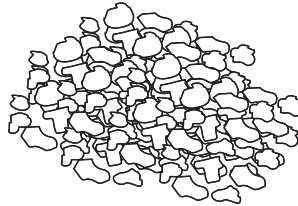
LISTADO DE PIEZAS

Al desembalar el pozo de fuego del cartón, asegúrese de encontrar y familiarizarse con todas las partes que se enumeran a continuación. Tenga cuidado, ya que algunas partes pueden tener bordes afilados.



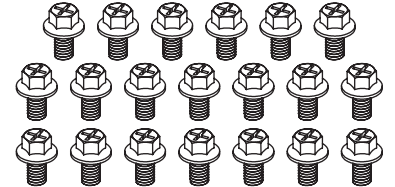
A

(1) CUBIERTA DE FUEGO



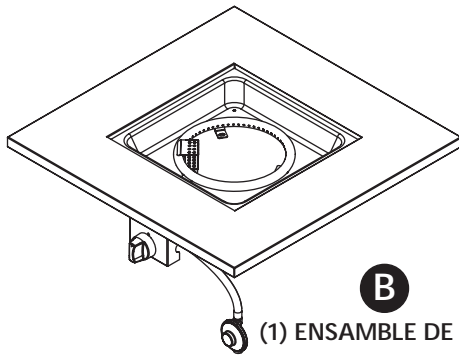
F

(1 CAJA) ROCA DE LAVA



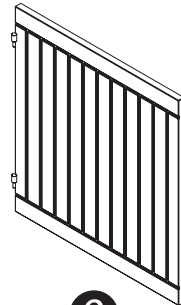
AA

(22) M6 X 10 PERNO



B

(1) ENSAMBLE DE LA MESA



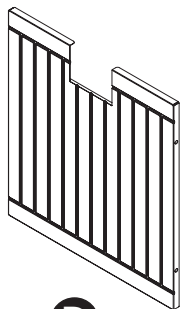
C

(1) PANEL DE LA PUERTA



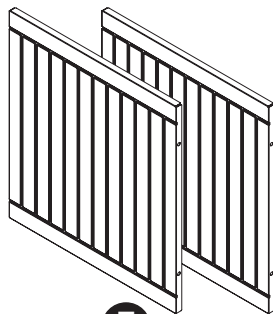
BB

(1) M4 X 8 PERNO



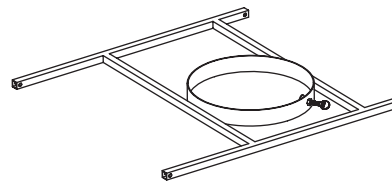
D

(1) PANEL FRONTAL



E

(1) PANEL LATERAL O TRASERO



K

(1) ESTRUCTURA BASE



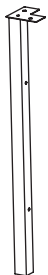
CC

(1) ARANDELA



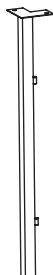
DD

(1) PERILLA DE LA PUERTA



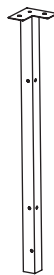
G

(1) PATA DELANTERA IZQUIERDA



H

(1) PATA DELANTERA DERECHA



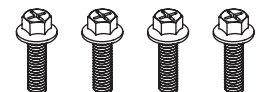
I

(1) PATA TRASERA IZQUIERDA



J

(1) PATA TRASERA DERECHA



EE

(4) M6 X 20 PERNO

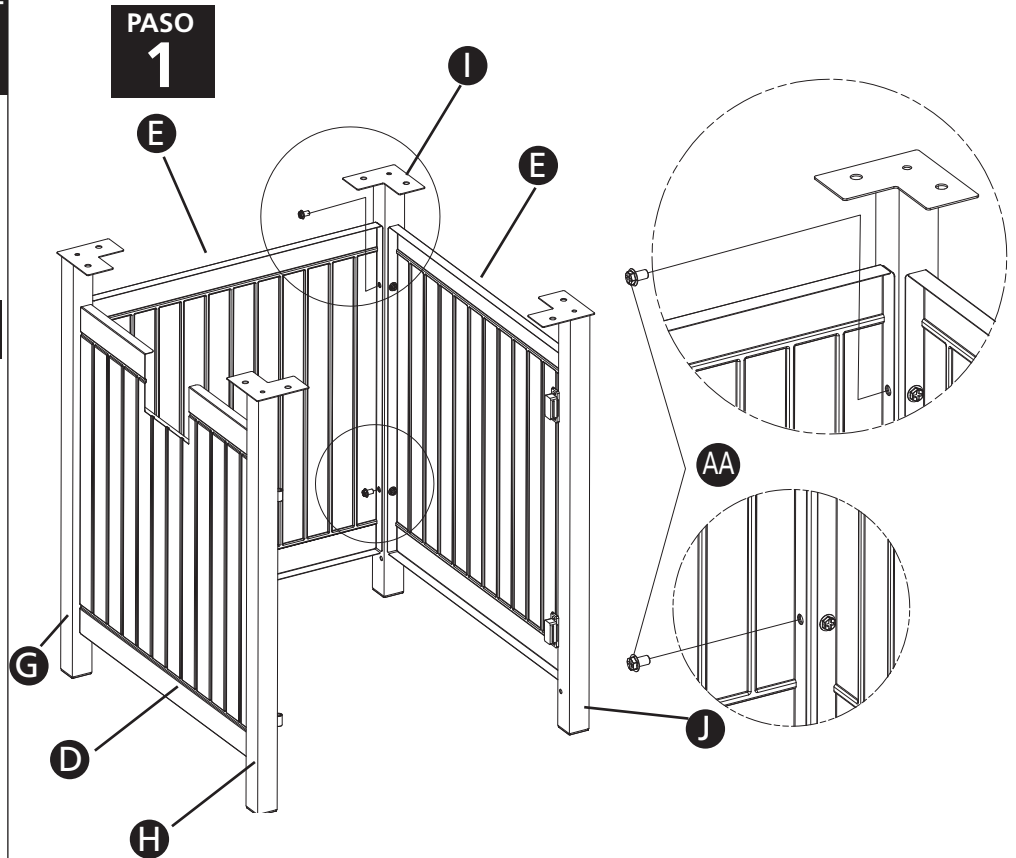
WELSEY INSTRUCCIONES DE MONTAJE DE LA MESA DE INCENDIO

Se necesita un destornillador Phillips y una llave ajustable para el montaje.

Tiempo de montaje: 30 minutos

PASO 1: MONTAJE DE LOS PANELES EN LAS PIERNAS

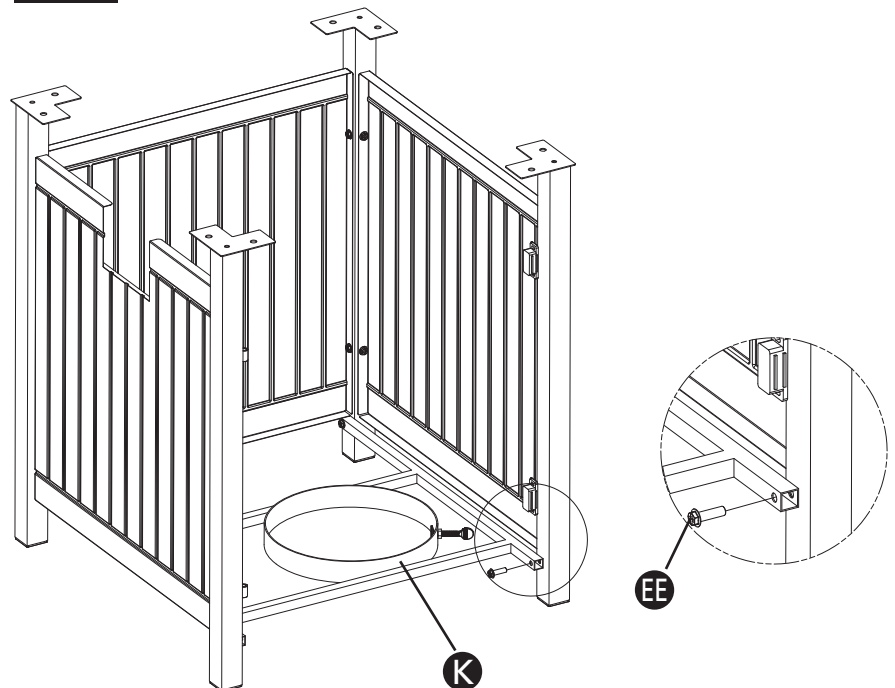
Montar cada panel [D, E] en las patas [G,H,I,J] usando (12) tornillos M6 x 10mm [AA]. Coloque los paneles exactamente como se muestra. Apriete bien los pernos.



PASO 2

PASO 2: MONTAJE DE LA ESTRUCTURA BASE

Coloque la estructura de la base [K] adentro y alinee con los soportes de los agujeros en las patas. Montar usando (4) tornillos M6 x 20mm [EE]. Apriete bien los pernos.

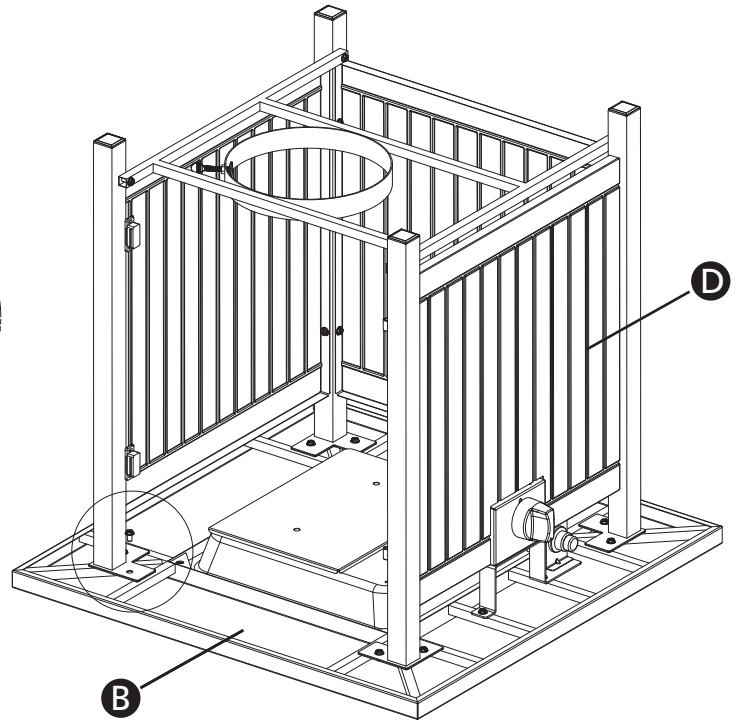
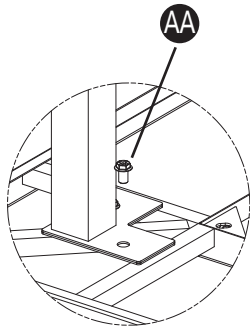


WELSEY INSTRUCCIONES DE MONTAJE DE LA MESA DE INCENDIO

PASO 3: MONTAJE DEL ENSAMBLE DE LA MESA

Gire con cuidado el lugar del conjunto de mesa [B] sobre un trozo de cartón u otro material blando. Alinee el panel frontal [D] con el panel de control y colóquelo sobre el conjunto de la mesa. Alinee los orificios y utilice (8) tornillos M6 x 10mm [AA] para montar. Empiece todos los pernos antes de apretar todos los pernos de forma segura.

PASO 3

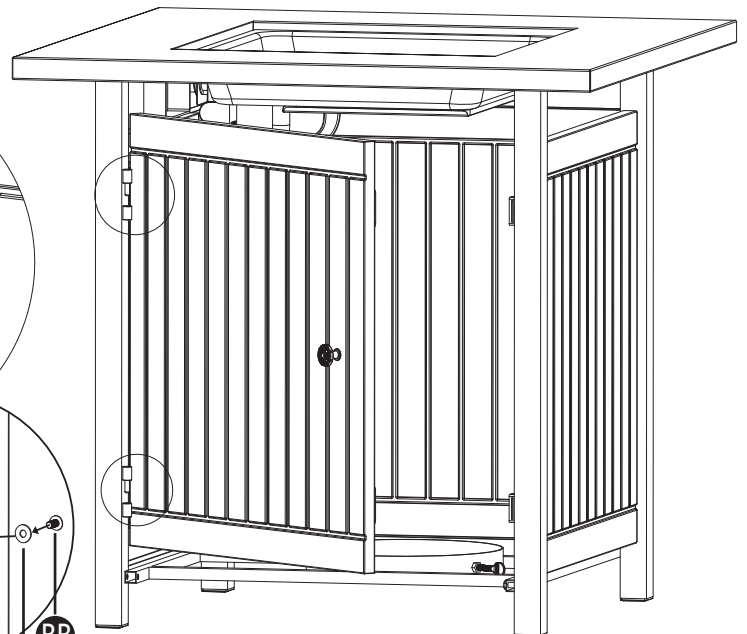
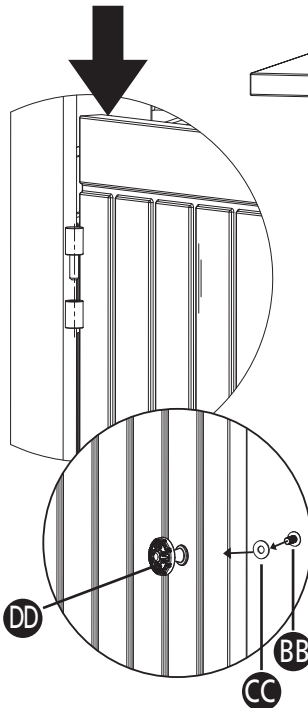


PASO 4

PASO 4: MONTAJE DE LA PUERTA

Monte el pomo de la puerta [DD] al panel de la puerta [C] usando (1) tornillo M4 x 8mm [BB] y (1) arandela [CC]. Apriete bien el perno.

Introduzca las bisagras en los casquillos. Pivote la puerta cerrada a las tomas magnéticas.

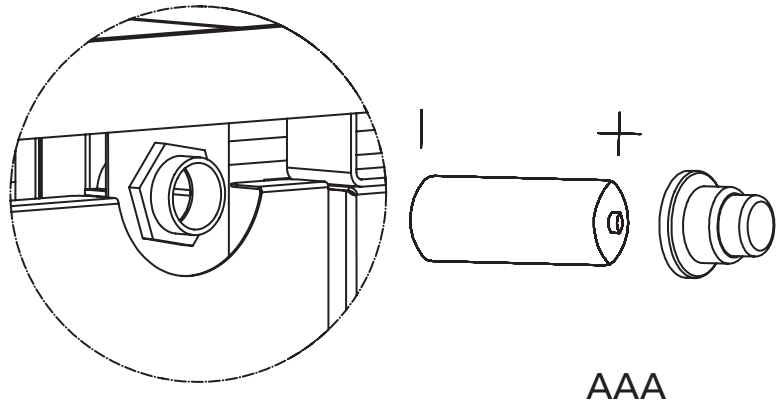


**WELSEY INSTRUCCIONES DE
MONTAJE DE LA MESA DE
INCENDIO**

PASO 5: MONTAJE DE LA BATERÍA

Retire la tapa del encendedor y deslice una nueva pila AAA (no incluida) en la ranura de la batería. El lado negativo de la batería entra primero. Vuelva a instalar la tapa del encendedor firmemente. Asegúrese que el encendedor funcione presionando la tapa y escuchando la chispa del electrodo ubicado dentro de la protección del encendedor.

**PASO
5**



PASO 6: COLOCAR LA ROCA DE LAVA

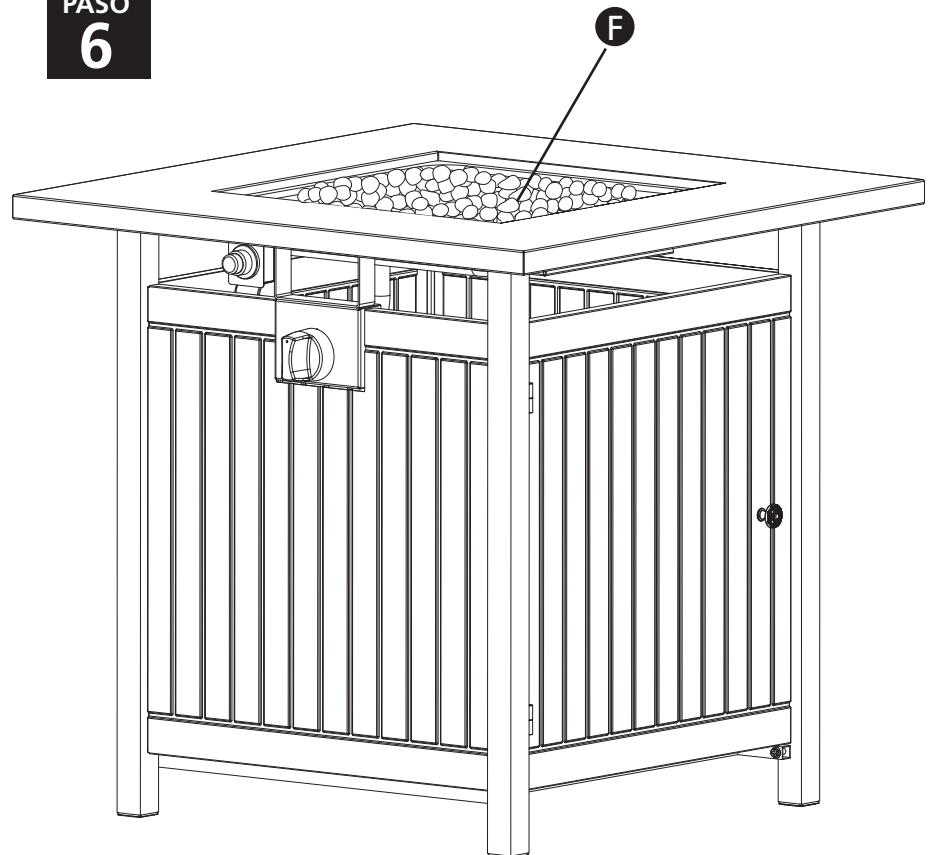
Abra con cuidado el paquete para la rocas de lava [F] y vierta lentamente la roca uniformemente en la bombilla de fuego.

Para asegurar el funcionamiento correcto, asegúrese de que la rocas de lava no entre en el interior de la protección del encendedor. Las rocas de lava se pueden colocar alrededor y encima de la protección del encendedor. Manténgala en el interior de la protección del encendedor.

PRECAUCIÓN: Manipule con cuidado la rocas de lava ya que podría haber fragmentos de rocas, que pueden ser muy afilados.

PELIGRO: Mantenga a los niños alejados de las rocas de lava. Mantenga la cubierta de la hoguera en su lugar cuando no esté en uso. No permita que los niños jueguen con las rocas de lava ya que pueden ser un peligro de asfixia.

**PASO
6**



INSTRUCCIONES DE INSTALACIÓN DEL TANQUE DE PROPANO

No se necesitan herramientas.

Tiempo de montaje: 5 minutos

⚠ ¡AVISO! Esta mesa de fuego se hizo para usar un tanque de combustible de 20 libras de propano solamente. No conectar a un suministro de gas remoto. No utilice gas natural.

⚠ ¡¡PRECAUCIÓN!! Asegúrese de que la perilla de control esté en la posición OFF antes de montar el tanque de combustible de propano.

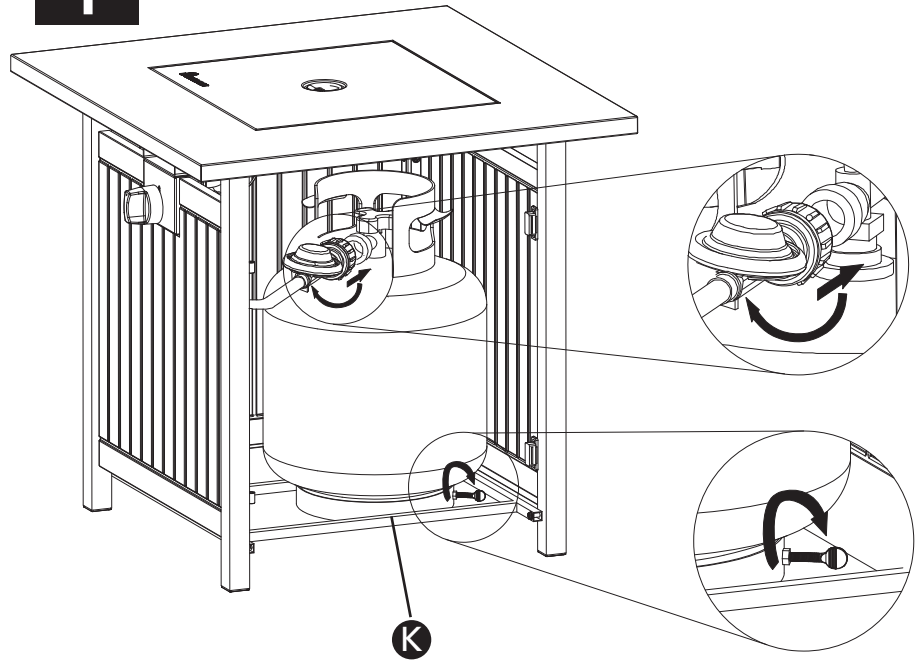
PASO 1: COLOQUE EL TANQUE DE PROPANO

Retire y coloque el panel de la puerta a un lado. Coloque un tanque de propano de 20 libras (no incluido) sobre la estructura de base [K]. Asegure el tanque de propano con el perno de ala. Apriete hasta que el tanque esté seguro.

PASO 2: MONTAJE DE LA MANGUERA DE COMBUSTIBLE AL TANQUE DE COMBUSTIBLE DE PROPANO

Conecte el regulador al tanque de combustible de propano. Apriete firmemente a mano.

PASO 1

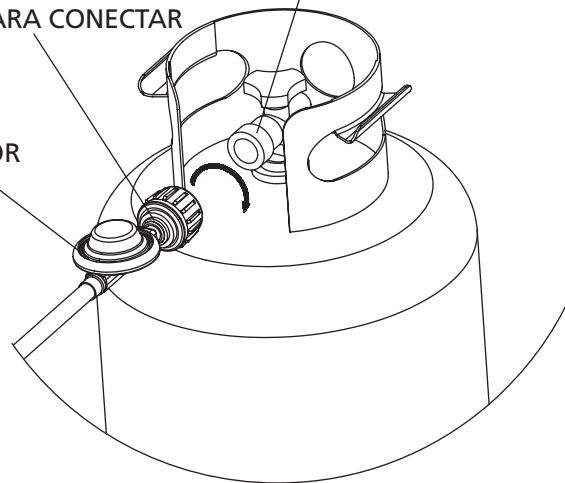


PASO 2

TUERCA DE ACOPLAMIENTO NEGRO, GIRANDO A LA IZQUIERDA PARA CONECTAR

VÁLVULA DE CILINDRO

REGULADOR

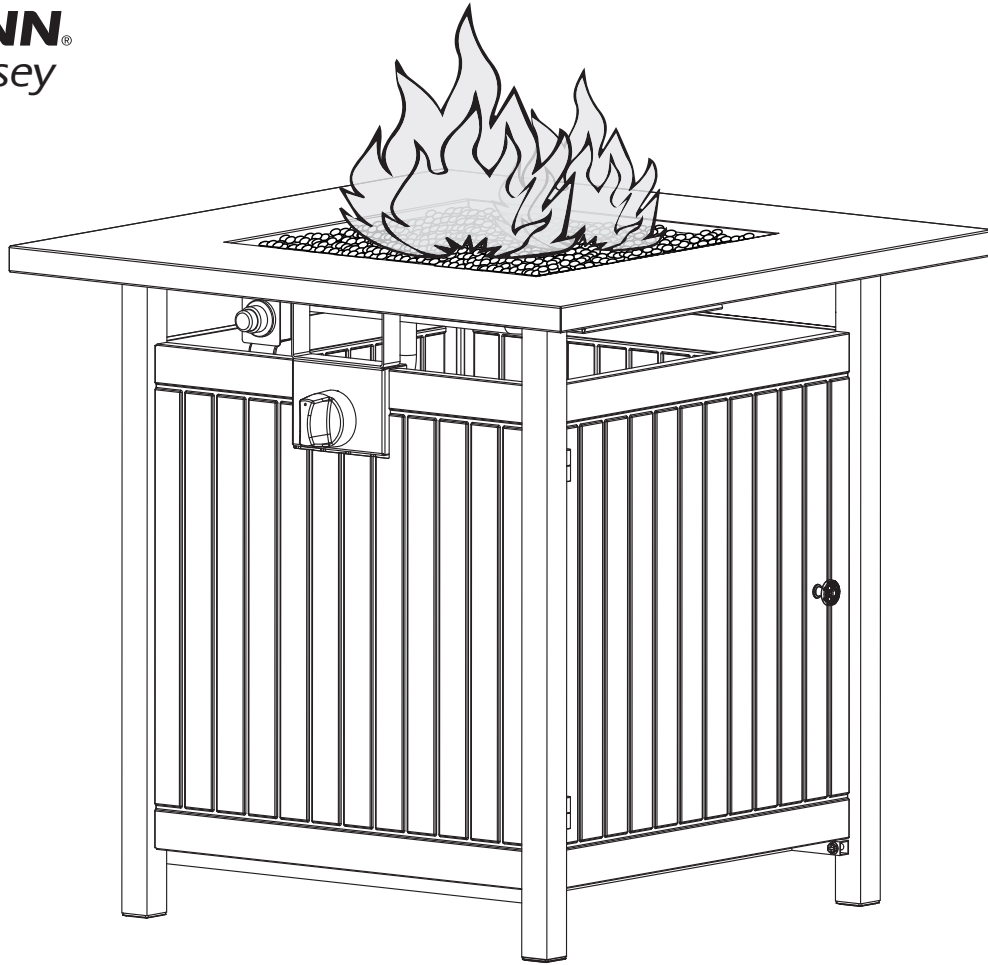


INSTRUCCIONES DE PRUEBA DE FUGAS

Antes de usar, es una buena idea realizar una prueba de fugas. Haga esto en un área bien ventilada afuera, lejos de cualquier fuente de chispas tales como interruptores de luz.

Conecte el regulador al tanque de combustible de propano, gire la perilla del tanque de propano, pero mantenga la perilla de control en la mesa de fuego en la posición OFF. Esto presurizará las líneas de combustible. Vierta una solución de agua jabonosa en las conexiones de la línea de combustible. Si hay una fuga, se formarán burbujas en la fuga. Si se detecta una fuga o se olfatea gas, apague el gas en el tanque de propano. Apriete la conexión y vuelva a realizar la prueba. Si no se puede remediar la fuga, no use la mesa de fuego hasta que se puedan hacer las reparaciones.

NO DEVUELVA EL PRODUCTO A LA TIENDA. SI TIENE PREGUNTAS O HA PROBLEMADO CON EL MONTAJE, POR FAVOR LLAME AL 1-800-321-3473 PARA ASISTENCIA.

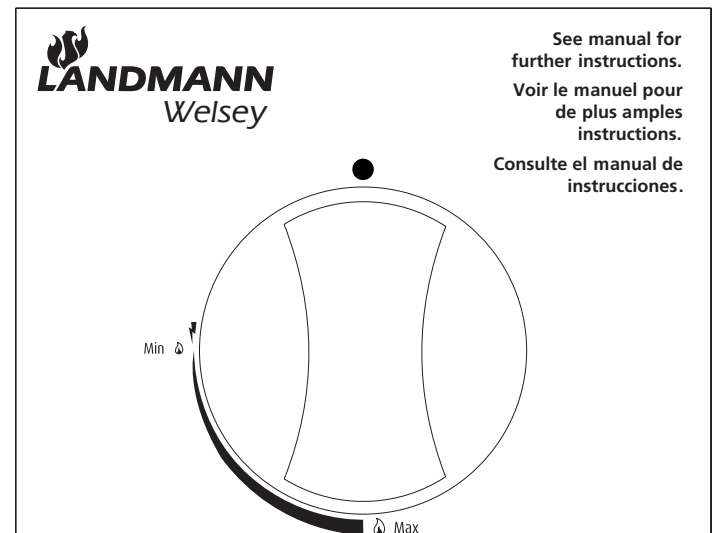


INSTRUCCIONES DE FUNCIONAMIENTO DE WELSEY

! ADVERTENCIA

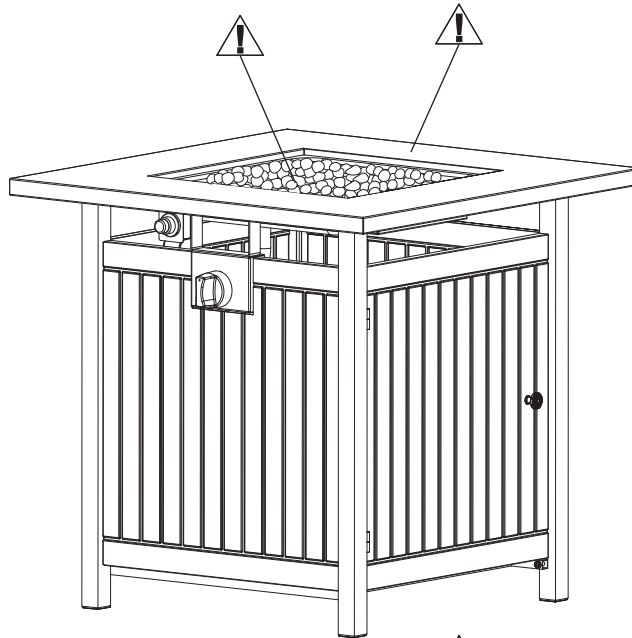
El pozo de fuego y la rocas de lava se vuelven muy calientes. Tenga precaución alrededor de la mesa de fuego. Mantenga el área de la mesa de fuego libre y libre de materiales combustibles.

1. La mesa de fuego debe estar a un mínimo de 60 pulgadas de cualquier pared, barandilla, muebles o cualquier otro material combustible.
2. Asegúrese de que haya suficiente combustible en el tanque de propano.
3. Siempre asegúrese de que la perilla de control esté en la posición "●" (apagado) antes de abrir la perilla de propano.
4. Gire lentamente la perilla de propano a OPEN.
5. Presione y gire el botón regulador en sentido antihorario a la posición "Min".
6. Presiones el botón de encendido para encender el quemador. Suelte el botón regulador al cabo de 45 segundos.
7. Ajuste la llama hasta el nivel que desee con el botón regulador.
8. Para apagar, gire la perilla del tanque de propano a CLOSE.
9. Espere hasta que el fuego se apague para purgar las líneas de combustible antes de girar la perilla de control de la mesa de fuego a "●".



CUIDADO Y MANTENIMIENTO

- ANTES DE CADA USO, VISUALMENTE INSPECCIONAR TODAS LAS PIEZAS PARA ASEGURAR QUE ESTÁN EN BUENAS TRABAJOS.
- TOMA CUIDADO CUANDO MOVIENDO COMO LA PARTE SUPERIOR DE LA PARTE DE FUEGO PUEDE CHIP O CRACK O ROMPE SI ES MANIPULADO DE MANERA RÁPIDA O CAIDA.
- LA MESA DE INCENDIO PUEDE SER LIMPIADA CON UNA SOLUCIÓN DE AGUA Y JABÓN. UTILICE UN RAG SUAVE, NUNCA UTILICE MATERIALES GRUESOS O RUGOSOS. NO DEJE QUE LA ROCA DE LAVA O EL QUEMADOR / COMPONENTES SE HAGAN MOJADO.
- MANTENGA LA TABLA DE INCENDIOS DEL TIEMPO Y DE LOS ELEMENTOS.
- ALMACENE LA MESA DEL FUEGO EN UNA LOCALIZACIÓN SECA HACIA FUERA DEL TIEMPO.
- UTILICEZ LA COUVERCLE DE LA TABLE DE FEU APRÈS QUE LA TABLE DE FEUILLE EST COMPLETEMENT FRAÎCHE AU TOUCH.
- UTILICE LA CUBIERTA DEL TIEMPO TODO EL TIEMPO CUANDO NO ESTÁ EN USO.
- EL TANQUE DE COMBUSTIBLE DE PROPANO DEBE SER DESCONECTADO DE LA MESA DE INCENDIO ANTES DE QUE SE PUEDA ALMACENAR EN EL INTERIOR.



! ADVERTENCIA!
SUPERFICIES CALIENTES DURANTE EL USO



ESPECIFICACIONES

Conforme a ANSI STD Z21.97-2017 Certificado para CSA STD 2.41-2017 Aparato de gas decorativo al aire libre.

CALIFICACIÓN DE ENTRADA (BTU). 50,000

TIPO DE COMBUSTIBLE. 20 LB. TANQUE DE COMBUSTIBLE DE PROPANO

TIEMPO DE FUNCIONAMIENTO ESTIMADO (ALTO) 8 HRS (PROMEDIO)

BATERÍA (SE REQUIERE 1) AAA

GARANTÍA LIMITADA

Landmann USA ("Landmann") garantiza que este producto no tendrá defectos de material ni de fabricación al comprador original durante 1 AÑO. Esta garantía limitada es creada exclusivamente para el comprador original presentando comprobante de compra. Esta garantía está limitada al uso residencial no comercial. Cualquier mercancía devuelta debe ser enviada con franqueo pagado.

Esta garantía no cubre el desgaste normal de las piezas o el daño que resulta de cualquiera de lo siguiente: negligencia, abuso, uso incorrecto, modificación, instalación incorrecta, mantenimiento incorrecto, falta de mantenimiento normal o cualquier otro uso contrario a las instrucciones de funcionamiento. Además, Landmann no garantiza, de ningunamanera, la pintura ni las terminaciones de piedras de este producto ni cubre los daños de las tapas ni el deterioro por condiciones climáticas normales o severas ni por cualquier exposición química. Estas garantías no cubren los rayones en las superficies ni los daños por el calor, que se considera el desgaste normal. Estas garantías no cubren las rocas de lava. Las virutas, grietas o roturas en la mesa por el uso normal no están cubiertas por esta garantía. Estas garantías excluyen la responsabilidad por cualquier daño indirecto, incidental consecuencial o pérdida de propiedad de cualquier naturaleza.

No devuelva el producto ni cualquier pieza a la tienda ni lo envíe al fabricante sin tener autorización por escrito.

Comuníquese con el servicio al cliente al: 1-800-321-3473 o customerservice@landmann.com/us. Cualquier producto o pieza devueltos deben ser devueltos con franqueo pagado.

El arreglo o el reemplazo del producto según lo provisto en esta garantía es su única solución. Landmann no será responsable de ningún daño incidental ni resultante, ni del incumplimiento de cualquier garantía expresa o supuesta de este producto o de cualquiera de sus piezas, excepto hasta donde lo prohíba la ley vigente. Algunos estados no permiten la exclusión ni la restricción de daños incidentales o resultantes, o permiten la restricción en la duración de una supuesta garantía; por lo tanto, es posible que la restricción o exclusión nombrada no se aplique a usted. Esta garantía le otorga derechos legales específicos, y es posible que usted tenga también otros derechos que varían entre los estados.

¡Felicitaciones por su compra de la mesa de incendios al aire libre de Welsey! En Landmann USA, nos esforzamos por ofrecerle un producto fácil de usar y fácil de montar. Sin embargo, en el caso improbable de que su paquete tenga una pieza faltante o defectuosa, comuníquese con nosotros a: customerservice@landmann.com/us
 -O-
 1-800-321-3473 M-F 8-5 ET.
 Se puede exigir una prueba de compra.
 ¡Gracias!

SOLUCIÓN DE PROBLEMAS

PROBLEMA	CAUSA POSIBLE	MEDIDAS CORRECTIVAS
OLOR A GAS	Fuga de gas	<ul style="list-style-type: none"> • Compruebe todas las conexiones de gas. • Utilice una solución de agua jabonosa para determinar donde viene la fuga. • Si no se puede encontrar la fuga y el gas sigue siendo oído, no intente encender cualquier aparato • No toque ningún interruptor eléctrico. • No utilice ningún teléfono. • Inmediatamente llame a su proveedor de gas de un teléfono de los vecinos. • Si no puede comunicarse con su proveedor de gas, llame al departamento de bomberos.
NO ILUMINARÁ	<p>Baja presión de gas</p> <p>Puertos obstruidos o sucios</p> <p>Orificio bloqueado</p> <p>La batería ha caducado</p> <p>Cableado defectuoso o electrodo</p>	<ul style="list-style-type: none"> • Comprobar la presión de suministro de gas • Limpie los puertos del quemador • Compruebe la apertura del orificio • Reemplace la batería • Compruebe todas las conexiones la perilla de control se presiona una acción de chispa se puede escuchar en el área del quemador.
QUEMADOR INCORRECTO LLAMA	<p>Presión de gas incorrecta</p> <p>Orificio bloqueado</p> <p>Obstruido o sucio Puertos del quemador</p>	<ul style="list-style-type: none"> • Comprobar la presión de suministro de gas • Compruebe la apertura del orificio • Limpie los puertos del quemador
CRACKING O POPPING	Rocas de lava están mojadas	<ul style="list-style-type: none"> • Deje secar las rocas de lava antes de usarlas.

