

# POLYWOOD®

Intelligent Design™

Model: AD5030, AD5031  
AD6030

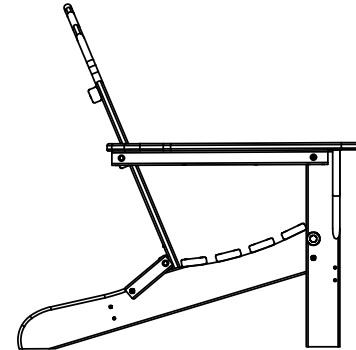
## Step 1

Unfold chair assembly

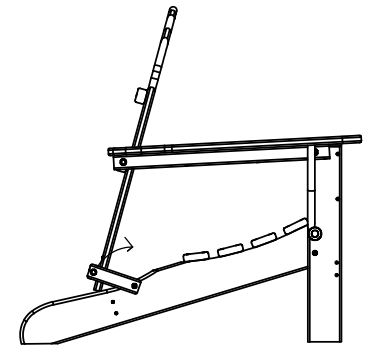
## Step 2

Insert (2) 2 1/4" bolts, washers and locknuts into pre-drill holes  
Then insert pins

## Step 1

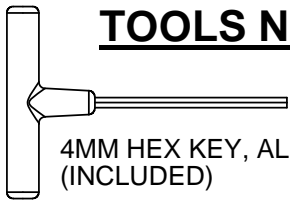


Correct



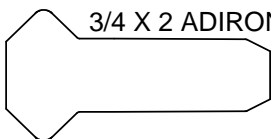
Incorrect

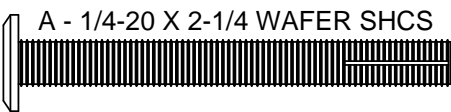
## TOOLS NEEDED

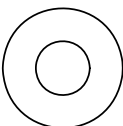


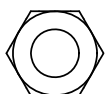
4MM HEX KEY, ALLEN, T-HANDLE  
(INCLUDED)

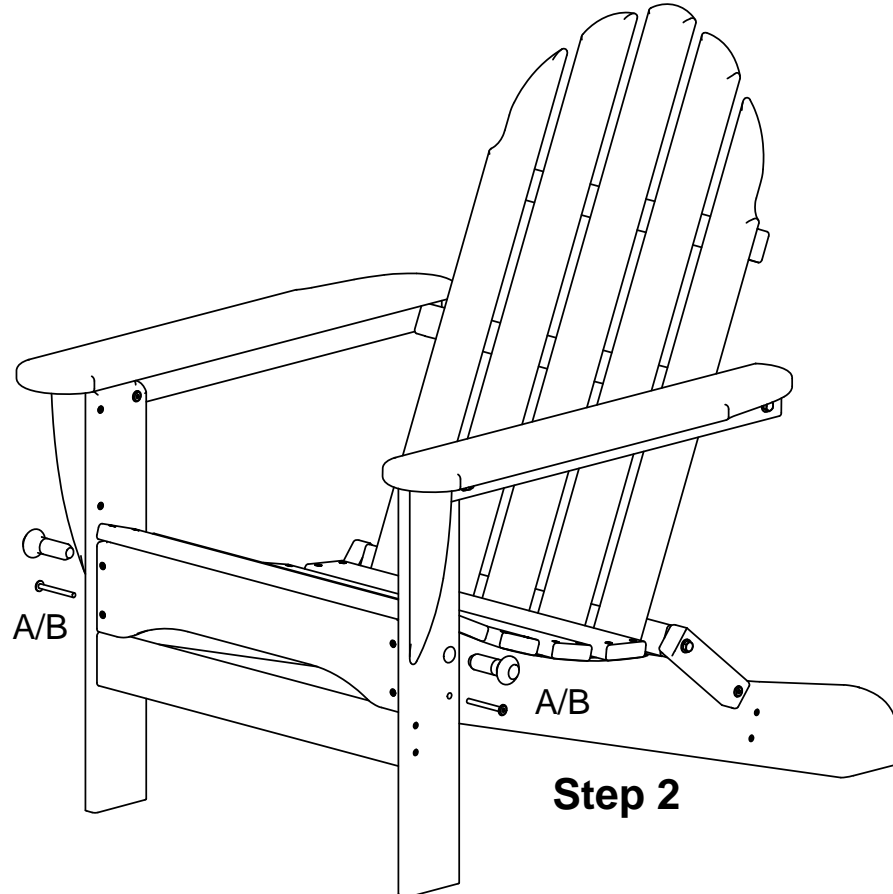
Qty.	Description
------	-------------

2	 3/4 X 2 ADIRONDACK PIN HDPE
---	--

2	 A - 1/4-20 X 2-1/4 WAFER SHCS
---	---

2	 B - 1/4 FLAT WASHER
---	---

2	 B - 1/4-20 NYLOCK NUT
---	---



## Step 2

