



# OPERATOR'S MANUAL

MANUEL D'UTILISATION

MANUAL DEL OPERADOR

## 18 VOLT IMPACT DRIVER

CLÉ À CHOCS 18 VOLTS

DESTORNILLADOR DE IMPACTO DE 18 VOLTS

P234G

ACCEPTS ALL 18 VOLT ONE+ BATTERY PACKS

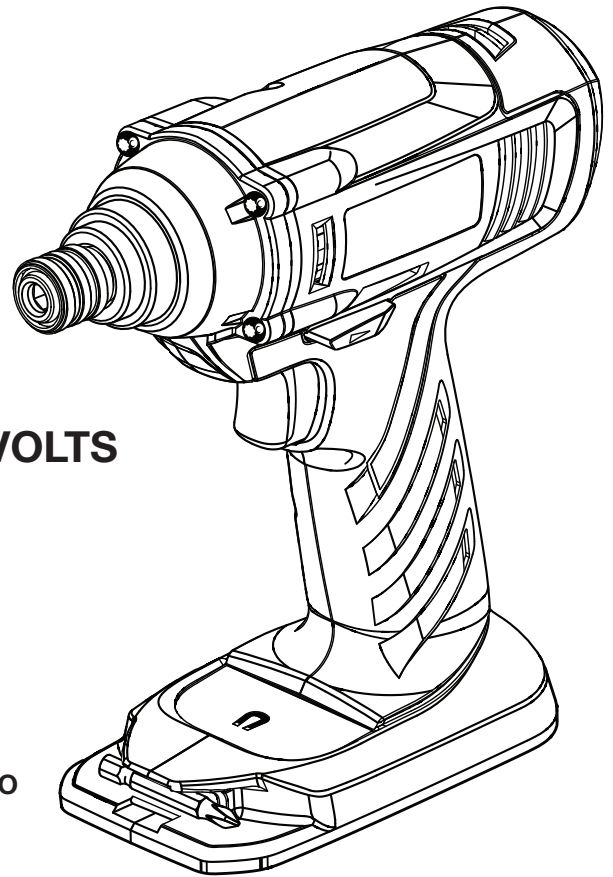
COMPATIBLE AVEC TOUS LES BLOC-PILES 18 V ONE+

ACEPTA TODOS LOS PAQUETES DE BATERÍAS 18 V ONE+

BATTERIES AND CHARGERS SOLD SEPARATELY

BLOC-PILES ET CHARGEURS VENDUS SÉPARÉMENT

LAS BATERÍAS Y LOS CARGADORES SE VENDEN POR SEPARADO



Your impact driver has been engineered and manufactured to our high standard for dependability, ease of operation, and operator safety. When properly cared for, it will give you years of rugged, trouble-free performance.

**WARNING:** To reduce the risk of injury, the user must read and understand the operator's manual before using this product.

Thank you for your purchase.

## SAVE THIS MANUAL FOR FUTURE REFERENCE

Cette clé à chocs a été conçue et fabriquée conformément à nos strictes normes de fiabilité, simplicité d'emploi et sécurité d'utilisation. Correctement entretenue, elle vous donnera des années de fonctionnement robuste et sans problème.

**AVERTISSEMENT :** Pour réduire les risques de blessures, l'utilisateur doit lire et veiller à bien comprendre le manuel d'utilisation avant d'employer ce produit.

Merci de votre achat.

**CONSERVER CE MANUEL POUR  
FUTURE RÉFÉRENCE**

Su destornillador de impacto ha sido diseñada y fabricada de conformidad con las estrictas normas para brindar fiabilidad, facilidad de uso y seguridad para el operador. Con el debido cuidado, le brindará muchos años de sólido y eficiente funcionamiento.

**ADVERTENCIA:** Para reducir el riesgo de lesiones, el usuario debe leer y comprender el manual del operador antes de usar este producto.

Le agradecemos su compra.

**GUARDE ESTE MANUAL PARA  
FUTURAS CONSULTAS**

# TABLE OF CONTENTS

■ Introduction .....	2
■ Warranty .....	2
■ General Power Tool Safety Warnings .....	3-4
■ Impact Driver Safety Warnings .....	5
■ Symbols .....	6
■ Features .....	7
■ Assembly .....	7
■ Operation .....	8-9
■ Maintenance .....	10
■ Figure Numbers (Illustrations) .....	11
■ Parts Ordering / Service .....	Back page

## INTRODUCTION

This product has many features for making its use more pleasant and enjoyable. Safety, performance, and dependability have been given top priority in the design of this product making it easy to maintain and operate.

## WARRANTY

### **RYOBI® POWER TOOL - LIMITED THREE YEAR WARRANTY AND 90 DAY EXCHANGE POLICY**

One World Technologies, Inc., warrants its RYOBI® power tools with the following conditions:

**90-DAY EXCHANGE POLICY:** During the first 90 days after date of purchase, you may either request service under this warranty or you may exchange any RYOBI® power tool which does not work properly due to defective workmanship or materials by returning the power tool to the dealer from which it was purchased. To receive a replacement power tool or requested warranty service, you must present proof of purchase and return all original equipment packaged with the original product. The replacement power tool will be covered by the limited warranty for the balance of the three year period from the date of the original purchase.

**WHAT THIS WARRANTY COVERS:** This warranty covers all defects in workmanship or materials in your RYOBI® power tool for a period of three years from the date of purchase. With the exception of batteries, power tool accessories are warranted for ninety (90) days. Batteries are warranted for three years.

**HOW TO GET SERVICE:** Just return the power tool, properly packaged and postage prepaid, to an Authorized Service Center. You can obtain the location of the Service Center nearest you by contacting a service representative at One World Technologies, Inc., P.O. Box 1207, Anderson, SC 29622-1207, by calling 1-800-525-2579 or by logging on to [www.ryobitools.com](http://www.ryobitools.com). When you request warranty service, you must also present proof of purchase documentation, which includes the date of purchase (for example, a bill of sale). We will repair any faulty workmanship, and either repair or replace any defective part, at our option. We will do so without any charge to you. We will complete the work in a reasonable time, but, in any case, within ninety (90) days or less.

**WHAT'S NOT COVERED:** This warranty applies only to the original purchaser at retail and may not be transferred. This warranty only covers defects arising under normal usage and does not cover any malfunction, failure or defects resulting from misuse, abuse, neglect, alteration, modification or repairs by other than Authorized Service Centers. One World Technologies, Inc. makes no warranties, representations or promises as to the quality or performance of its power tools other than those specifically stated in this warranty.

**ADDITIONAL LIMITATIONS:** Any implied warranties granted under state law, including warranties of merchantability or fitness for a particular purpose, are limited to three years from the date of purchase. One World Technologies, Inc. is not responsible for direct, indirect, or incidental damages, so the above limitations and exclusions may not apply to you. This warranty gives you specific legal rights, and you may also have other rights which vary from state to state.

# GENERAL POWER TOOL SAFETY WARNINGS



## WARNING:

Read all safety warnings and all instructions. Failure to follow the warnings and instructions may result in electric shock, fire and/or serious injury.

### Save all warnings and instructions for future reference.

The term “power tool” in the warnings refers to your mains-operated (corded) power tool or battery-operated (cordless) power tool.

## WORK AREA SAFETY

- **Keep work area clean and well lit.** Cluttered or dark areas invite accidents.
- **Do not operate power tools in explosive atmospheres, such as in the presence of flammable liquids, gases or dust.** Power tools create sparks which may ignite the dust or fumes.
- **Keep children and bystanders away while operating a power tool.** Distractions can cause you to lose control.

## ELECTRICAL SAFETY

- **Power tool plugs must match the outlet. Never modify the plug in any way. Do not use any adapter plugs with earthed (grounded) power tools.** Unmodified plugs and matching outlets will reduce risk of electric shock.
- **Avoid body contact with earthed or grounded surfaces such as pipes, radiators, ranges and refrigerators.** There is an increased risk of electric shock if your body is earthed or grounded.
- **Do not expose power tools to rain or wet conditions.** Water entering a power tool will increase the risk of electric shock.
- **Do not abuse the cord. Never use the cord for carrying, pulling or unplugging the power tool. Keep cord away from heat, oil, sharp edges or moving parts.** Damaged or entangled cords increase the risk of electric shock.
- **When operating a power tool outdoors, use an extension cord suitable for outdoor use.** Use of a cord suitable for outdoor use reduces the risk of electric shock.
- **If operating a power tool in a damp location is unavoidable, use a ground fault circuit interrupter (GFCI) protected supply.** Use of a GFCI reduces the risk of electric shock.
- **Use battery only with charger listed.** For use with 18V nickel-cadmium and 18V lithium-ion battery packs, see tool/appliance/battery pack/charger correlation supplement 987000-432.

## PERSONAL SAFETY

- **Stay alert, watch what you are doing and use common sense when operating a power tool. Do not use a power tool while you are tired or under the influence of drugs, alcohol or medication.** A moment of inattention while operating power tools may result in serious personal injury.
- **Use personal protective equipment. Always wear eye protection.** Protective equipment such as dust mask, non-skid safety shoes, hard hat, or hearing protection used for appropriate conditions will reduce personal injuries.
- **Prevent unintentional starting. Ensure the switch is in the off-position before connecting to power source and/or battery pack, picking up or carrying the tool.** Carrying power tools with your finger on the switch or energising power tools that have the switch on invites accidents.
- **Remove any adjusting key or wrench before turning the power tool on.** A wrench or a key left attached to a rotating part of the power tool may result in personal injury.
- **Do not overreach. Keep proper footing and balance at all times.** This enables better control of the power tool in unexpected situations.
- **Dress properly. Do not wear loose clothing or jewellery. Keep your hair, clothing and gloves away from moving parts.** Loose clothes, jewellery or long hair can be caught in moving parts.
- **If devices are provided for the connection of dust extraction and collection facilities, ensure these are connected and properly used.** Use of dust collection can reduce dust-related hazards.
- **Do not wear loose clothing or jewelry. Contain long hair.** Loose clothes, jewelry, or long hair can be drawn into air vents.
- **Do not use on a ladder or unstable support.** Stable footing on a solid surface enables better control of the power tool in unexpected situations.

## POWER TOOL USE AND CARE

- **Do not force the power tool. Use the correct power tool for your application.** The correct power tool will do the job better and safer at the rate for which it was designed.
- **Do not use the power tool if the switch does not turn it on and off.** Any power tool that cannot be controlled with the switch is dangerous and must be repaired.

# GENERAL POWER TOOL SAFETY WARNINGS

- **Disconnect the plug from the power source and/or the battery pack from the power tool before making any adjustments, changing accessories, or storing power tools.** Such preventive safety measures reduce the risk of starting the power tool accidentally.
- **Store idle power tools out of the reach of children and do not allow persons unfamiliar with the power tool or these instructions to operate the power tool.** Power tools are dangerous in the hands of untrained users.
- **Maintain power tools. Check for misalignment or binding of moving parts, breakage of parts and any other condition that may affect the power tool's operation. If damaged, have the power tool repaired before use.** Many accidents are caused by poorly maintained power tools.
- **Keep cutting tools sharp and clean.** Properly maintained cutting tools with sharp cutting edges are less likely to bind and are easier to control.
- **Use the power tool, accessories and tool bits etc. in accordance with these instructions, taking into account the working conditions and the work to be performed.** Use of the power tool for operations different from those intended could result in a hazardous situation.

## BATTERY TOOL USE AND CARE

- **Recharge only with the charger specified by the manufacturer.** A charger that is suitable for one type of battery pack may create a risk of fire when used with another battery pack.
- **Use power tools only with specifically designated battery packs.** Use of any other battery packs may create a risk of injury and fire.
- **When battery pack is not in use, keep it away from other metal objects, like paper clips, coins, keys, nails, screws or other small metal objects, that can make a connection from one terminal to another.** Shorting the battery terminals together may cause burns or a fire.
- **Under abusive conditions, liquid may be ejected from the battery; avoid contact. If contact accidentally occurs, flush with water. If liquid contacts eyes, additionally seek medical help.** Liquid ejected from the battery may cause irritation or burns.

## SERVICE

- **Have your power tool serviced by a qualified repair person using only identical replacement parts.** This will ensure that the safety of the power tool is maintained.
- **When servicing a power tool, use only identical replacement parts. Follow instructions in the Maintenance section of this manual.** Use of unauthorized parts or failure to follow Maintenance instructions may create a risk of shock or injury.

# IMPACT DRIVER SAFETY WARNINGS

- **Hold power tool by insulated gripping surfaces, when performing an operation where the fastener may contact hidden wiring.** Fasteners contacting a “live” wire may make exposed metal parts of the power tool “live” and could give the operator an electric shock.
- **Know your power tool. Read operator’s manual carefully. Learn its applications and limitations, as well as the specific potential hazards related to this power tool.** Following this rule will reduce the risk of electric shock, fire, or serious injury.
- **Always wear eye protection with side shields marked to comply with ANSI Z87.1.** Following this rule will reduce the risk of serious personal injury.
- **Protect your lungs. Wear a face or dust mask if the operation is dusty.** Following this rule will reduce the risk of serious personal injury.
- **Protect your hearing. Wear hearing protection during extended periods of operation.** Following this rule will reduce the risk of serious personal injury.
- **Battery tools do not have to be plugged into an electrical outlet; therefore, they are always in operating condition. Be aware of possible hazards when not using your battery tool or when changing accessories.** Following this rule will reduce the risk of electric shock, fire, or serious personal injury.
- **Do not place battery tools or their batteries near fire or heat.** This will reduce the risk of explosion and possibly injury.
- **Do not crush, drop or damage battery pack. Do not use a battery pack or charger that has been dropped or received a sharp blow.** A damaged battery is subject to explosion. Properly dispose of a dropped or damaged battery immediately.
- **Batteries can explode in the presence of a source of ignition, such as a pilot light.** To reduce the risk of serious personal injury, never use any cordless product in the presence of open flame. An exploded battery can propel debris and chemicals. If exposed, flush with water immediately.
- **Do not charge battery tool in a damp or wet location.** Following this rule will reduce the risk of electric shock.
- **For best results, your battery tool should be charged in a location where the temperature is more than 50°F but less than 100°F.** To reduce the risk of serious personal injury, do not store outside or in vehicles.
- **Under extreme usage or temperature conditions, battery leakage may occur. If liquid comes in contact with your skin, wash immediately with soap and water. If liquid gets into your eyes, flush them with clean water for at least 10 minutes, then seek immediate medical attention.** Following this rule will reduce the risk of serious personal injury.
- **Save these instructions.** Refer to them frequently and use them to instruct others who may use this tool. If you loan someone this tool, loan them these instructions also to prevent misuse of the product and possible injury.

## CALIFORNIA PROPOSITION 65



### WARNING:

This product and some dust created by power sanding, sawing, grinding, drilling, and other construction activities may contain chemicals, including lead, known to cause cancer, birth defects or other reproductive harm. **Wash hands after handling.**




Some examples of these chemicals are:

- lead from lead-based paints,
- crystalline silica from bricks and cement and other masonry products, and
- arsenic and chromium from chemically-treated lumber.







Your risk from these exposures varies, depending on how often you do this type of work. To reduce your exposure to these chemicals: work in a well ventilated area, and work with approved safety equipment, such as those dust masks that are specially designed to filter out microscopic particles.

# SYMBOLS

The following signal words and meanings are intended to explain the levels of risk associated with this product.

SYMBOL	SIGNAL	MEANING
	<b>DANGER:</b>	Indicates an imminently hazardous situation, which, if not avoided, will result in death or serious injury.
	<b>WARNING:</b>	Indicates a potentially hazardous situation, which, if not avoided, could result in death or serious injury.
	<b>CAUTION:</b>	Indicates a potentially hazardous situation, which, if not avoided, may result in minor or moderate injury.
	<b>CAUTION:</b>	(Without Safety Alert Symbol) Indicates a situation that may result in property damage.

Some of the following symbols may be used on this product. Please study them and learn their meaning. Proper interpretation of these symbols will allow you to operate the product better and safer.

SYMBOL	NAME	DESIGNATION/EXPLANATION
	Safety Alert	Indicates a potential personal injury hazard.
	Read Operator's Manual	To reduce the risk of injury, user must read and understand operator's manual before using this product.
	Eye Protection	Always wear eye protection with side shields marked to comply with ANSI Z87.1.
	Wet Conditions Alert	Do not expose to rain or use in damp locations.
	Recycle Symbols	This product uses lithium-ion or nickel-cadmium batteries. Local, state or federal laws may prohibit disposal of batteries in ordinary trash. Consult your local waste authority for information regarding available recycling and/or disposal options.
	Hot Surface	To reduce the risk of injury or damage, avoid contact with any hot surface.
V	Volts	Voltage
min	Minutes	Time
==	Direct Current	Type or a characteristic of current
$n_0$	No Load Speed	Rotational speed, at no load
.../min	Per Minute	Revolutions, strokes, surface speed, orbits etc., per minute

# FEATURES

## PRODUCT SPECIFICATIONS

Motor..... 18 V DC  
Coupler..... 1/4 in.  
Switch.....(VSR) Variable Speed and Reversible

No Load Speed ..... 0-2,600 /min. (RPM)  
Torque..... 1,500 in.lbs.  
Impacts Per Minute ..... 3,200 IPM

## KNOW YOUR IMPACT DRIVER

See Figure 1, page 11.

The safe use of this product requires an understanding of the information on the tool and in this operator's manual as well as a knowledge of the project you are attempting. Before use of this product, familiarize yourself with all operating features and safety rules.

## BIT STORAGE

When not in use, bits provided with the impact driver can be placed in the storage area located on base of the handle.

## DIRECTION OF ROTATION SELECTOR (FORWARD/REVERSE/CENTER LOCK)

The direction of rotation (forward/reverse/center lock) selector located above the switch trigger will change the direction of bit rotation.

## MAG TRAY™ (SCREW HOLDER)

The magnetic tray conveniently stores screws or other small parts.

## VARIABLE SPEED SWITCH TRIGGER

This tool has a variable speed switch that delivers higher speed with increased trigger pressure. Speed is controlled by the amount of switch trigger depression.

# ASSEMBLY

## UNPACKING

This product has been shipped completely assembled.

- Carefully remove the product and any accessories from the box. Make sure that all items listed in the packing list are included.

### WARNING:

Do not use this product if it is not completely assembled or if any parts appear to be missing or damaged. Use of a product that is not properly and completely assembled could result in serious personal injury.

- Inspect the product carefully to make sure no breakage or damage occurred during shipping.
- Do not discard the packing material until you have carefully inspected and satisfactorily operated the product.
- If any parts are damaged or missing, please call 1-800-525-2579 for assistance.

## PACKING LIST

Impact Driver  
Standard Bit  
Adaptor Bit  
Operator's Manual

### WARNING:

If any parts are damaged or missing do not operate this product until the parts are replaced. Use of this product with damaged or missing parts could result in serious personal injury.

### WARNING:

Do not attempt to modify this product or create accessories not recommended for use with this product. Any such alteration or modification is misuse and could result in a hazardous condition leading to possible serious personal injury.

### WARNING:

To prevent accidental starting that could cause serious personal injury, always remove the battery pack from the product when assembling parts.

# OPERATION

## **WARNING:**

Do not allow familiarity with tools to make you careless. Remember that a careless fraction of a second is sufficient to inflict serious injury.

## **WARNING:**

Always wear eye protection with side shields marked to comply with ANSI Z87.1. Failure to do so could result in objects being thrown into your eyes resulting in possible serious injury.

## **WARNING:**

Do not use any attachments or accessories not recommended by the manufacturer of this tool. The use of attachments or accessories not recommended can result in serious personal injury.

## **WARNING:**

Always remove battery pack from your tool when you are assembling parts, making adjustments, cleaning, or when not in use. Removing battery pack will prevent accidental starting that could cause serious personal injury.

### To remove the battery pack:

- Depress the latches on each side of the battery pack.
- Remove the battery pack from the tool.

## **WARNING:**

Battery tools are always in operating condition. Therefore, switch should always be locked when not in use or carrying at your side.

## APPLICATIONS

You may use this tool for the following purposes:

- Driving long deck screws while building a deck
- Driving carriage bolts into deck posts
- Driving Tapcon® screws into block walls and concrete
- Driving screws into metal studs

This product will accept Ryobi One+ 18 V lithium-ion battery packs and Ryobi One+ 18 V nickel-cadmium battery packs.

For complete charging instructions, refer to the Operator's Manual for the battery packs and chargers for your models.

## BATTERY PROTECTION FEATURES

Ryobi lithium-ion batteries are designed with features that protect the lithium-ion cells and maximize battery life.

If the tool stops during use, release the trigger to reset and resume operation. If the tool still does not work, the battery needs to be recharged.

## TO INSTALL / REMOVE BATTERY PACK

See Figure 2, page 11.

### To install the battery pack:

- Place the direction of rotation selector in the center position.
- Insert the battery pack into the product as shown.
- Make sure the latches on each side of the battery pack snap in place and that battery pack is secured in the product before beginning operation.

## SWITCH TRIGGER

See Figure 3, page 11.

To turn the tool **ON**, depress the switch trigger. To turn it **OFF**, release the switch trigger.

## VARIABLE SPEED

See Figure 3, page 11.

The switch trigger delivers higher speed with increased trigger pressure and lower speed with decreased trigger pressure.

**NOTE:** You might hear a whistling or ringing noise from the switch during use. Do not be concerned; this is a normal part of the switch function.

## DIRECTION OF ROTATION SELECTOR (FORWARD/REVERSE/CENTER LOCK)

See Figure 3, page 11.

The direction of bit rotation is reversible and is controlled by a selector located above the switch trigger. With the impact driver held in normal operating position, the direction of rotation selector should be positioned to the left of the switch trigger for forward rotation. The direction is reversed when the selector is to the right of the switch trigger.

## **CAUTION:**

To prevent gear damage, always allow coupler to come to a complete stop before changing the direction of rotation.

To stop, release switch trigger and allow the coupler to come to a complete stop.



# OPERATION

## BUILT-IN COUPLER

See Figure 4, page 11.

The tool has a built-in coupler. The coupler has been designed to accept 1/4 in. hex bits.

## INSTALLING BITS

See Figure 4, page 11.

- Lock switch trigger on the tool by placing the direction of rotation selector in center position.
- Slide the coupler forward and hold in position.
- Insert bit straight into coupler.
- Slide the coupler back slowly and release.

## REMOVING BITS

See Figure 4, page 11.

- Lock switch trigger or the drill by placing the direction of rotation selector in center position.
- Slide the coupler forward and hold in position.
- Pull bit straight out of coupler.

### **WARNING:**

Make sure the bit is secured in the coupler before using the impact driver. Failure to do so could cause serious personal injury.

### **WARNING:**

Do not drive a screw where there is likely to be hidden wiring behind the surface. Contact with a “live” wire will make exposed metal parts of the tool “live” and shock the operator. If you must drive a screw where hidden wire may be present, always hold tool by insulated gripping surfaces (handle) when performing the operation to prevent a shock to the operator.

### **CAUTION:**

The impact driver is not designed to be used as a drill.

## DRIVING OR REMOVING SCREWS

See Figures 5 - 6, page 11.

- Place the direction of rotation selector in the correct position for the operation.
- Hold the impact driver with one hand.
- Place the bit on the screw head and slowly depress the switch trigger. Start the bit slowly for more control.
- As the screw is driven, impacting will begin.

# MAINTENANCE

 **WARNING:**

When servicing, use only identical replacement parts. Use of any other parts can create a hazard or cause product damage.

 **WARNING:**

Always wear eye protection with side shields marked to comply with ANSI Z87.1. Failure to do so could result in objects being thrown into your eyes resulting in possible serious injury.

 **WARNING:**

To avoid serious personal injury, always remove the battery pack from the product when cleaning or performing any maintenance.

## GENERAL MAINTENANCE

Avoid using solvents when cleaning plastic parts. Most plastics are susceptible to damage from various types of commercial solvents and may be damaged by their use. Use clean cloths to remove dirt, dust, oil, grease, etc.

 **WARNING:**

Do not at any time let brake fluids, gasoline, petroleum-based products, penetrating oils, etc., come in contact with plastic parts. Chemicals can damage, weaken or destroy plastic which can result in serious personal injury.

## BATTERY PACK REMOVAL AND PREPARATION FOR RECYCLING

 **WARNING:**

Upon removal, cover the battery pack's terminals with heavy-duty adhesive tape. Do not attempt to destroy or disassemble battery pack or remove any of its components. Lithium-ion and nickel-cadmium batteries must be recycled or disposed of properly. Also, never touch both terminals with metal objects and/or body parts as short circuit may result. Keep away from children. Failure to comply with these warnings could result in fire and/or serious injury.

**NOTE: FIGURES (ILLUSTRATIONS) START ON PAGE 11 AFTER FRENCH AND SPANISH LANGUAGE SECTIONS.**

# TABLE DES MATIÈRES

■ Introduction .....	2
■ Garantie .....	2
■ Règles de sécurité relatives aux outils électriques.....	3-4
■ Avertissements de sécurité relatifs clé à chocs .....	5
■ Symboles.....	6
■ Caractéristiques .....	7
■ Assemblage.....	7
■ Utilisation.....	8-9
■ Entretien .....	10
■ Figure numéros (illustrations).....	11
■ Commande de pièces / réparation.....	Page arrière

## INTRODUCTION

Cet produit offre de nombreuses fonctions destinées à rendre son utilisation plaisante et plus satisfaisante. Lors de la conception de ce produit, l'accent a été mis sur la sécurité, les performances et la fiabilité, afin d'en faire un produit facile à utiliser et à entretenir.

## GARANTIE

### OUTILS ÉLECTRIQUES RYOBI® – GARANTIE LIMITÉE DE TROIS ANS ET POLITIQUE D'ÉCHANGE DE 90 JOURS

One World Technologies, Inc., garantit ses outils électriques dans les conditions suivantes :

**POLITIQUE D'ÉCHANGE DE 90 JOURS :** En cas de défaillance due à des vices de matériaux ou de fabrication au cours des 90 jours suivant la date d'achat, l'acheteur pourra faire réparer tout outil électrique RYOBI® au titre de cette garantie ou le retourner l'établissement où il a été acheté. Pour obtenir un outil en échange ou demander la réparation en garantie, l'équipement complet devra être retourné, dans son emballage d'origine, accompagné d'une preuve d'achat. L'outil fourni en échange sera couvert par la garantie limitée pour le restant de la période de validité de trois ans à compter de la date d'achat.

**CE QUI EST COUVERT PAR LA GARANTIE :** Cette garantie couvre tous les vices de matériaux et de fabrication de cet outil électrique RYOBI®, pour une période de trois ans, à compter de la date d'achat. À l'exception des piles, les accessoires sont garantis pour une période de quatre-vingt-dix (90) jours. Les piles sont garanties trois ans.

**RÉPARATIONS SOUS GARANTIE :** Il suffit de retourner l'outil, correctement emballé, en port payé, à un centre de réparations agréé. L'adresse du centre de réparations agréé le plus proche peut être obtenue en contactant un représentant du service après-vente par courrier, à l'adresse One World Technologies, Inc., P.O. Box 1207, Anderson, SC 29622-1207, par téléphone au 1-800-525-2579 ou par courriel, à l'adresse Internet [www.ryobitools.com](http://www.ryobitools.com). Lors de toute demande de réparation sous garantie, une preuve d'achat datée (par exemple un reçu de vente) doit être fournie. Nous nous engageons à réparer tous les défauts de fabrication et à réparer ou remplacer, à notre choix, toutes les pièces défectueuses. Les réparations et remplacements seront gratuits. Les réparations sous garantie seront effectuées dans un délai raisonnable, ne dépassant en aucun cas quatre-vingt-dix (90) jours.

**CE QUI N'EST PAS COUVERT :** La garantie ne couvre que l'acheteur au détail original et n'est pas transférable. Cette garantie ne couvre que les défauts résultant d'une utilisation normale. Elle ne couvre pas les problèmes de fonctionnement, défaillances ou autres défauts résultant d'un usage incorrect ou abusif, de la négligence, de la modification, de l'altération ou de réparations effectuées par quiconque autre qu'un centre de réparations agréé. One World Technologies, Inc. ne fait aucune autre garantie, représentation ou promesse concernant la qualité et les performances de cet outil électrique, autres que celles expressément indiquées dans le présent document.

**AUTRES LIMITATIONS :** Toutes les garanties implicites accordées par les lois en vigueur, y compris les garanties de valeur marchande ou d'adéquation à un usage particulier, sont limitées à une durée de trois ans, à compter de la date d'achat. One World Technologies, Inc. déclinant toute responsabilité pour les dommages directs ou indirects, les limitations et exclusions peuvent ne pas s'appliquer à chaque acheteur. Cette garantie donne au consommateur des droits spécifiques, et celui-ci peut bénéficier d'autres droits, qui varient selon les états ou provinces.

# RÈGLES DE SÉCURITÉ RELATIVES AUX OUTILS ÉLECTRIQUES



## AVERTISSEMENT:

### **Lire tous les avertissements et toutes les instructions.**

Ne pas suivre l'ensemble des avertissements et des instructions peut entraîner une électrocution, un incendie ou des blessures graves.

**Conserver les avertissements et les instructions à des fins de référence ultérieure.** Le terme « outil motorisé », utilisé dans tous les avertissements ci-dessous désigne tout outil fonctionnant sur secteur (câblé) ou sur piles (sans fil).

## SÉCURITÉ DU LIEU DE TRAVAIL

- **Garder le lieu de travail propre et bien éclairé.** Les endroits encombrés ou sombres sont propices aux accidents.
- **Ne pas utiliser d'outils électriques dans des atmosphères explosives, par exemple en présence de liquides, gaz ou poussières inflammables.** Les outils électriques produisent des étincelles risquant d'enflammer les poussières ou vapeurs.
- **Garder les enfants et badauds à l'écart pendant l'utilisation d'un outil électrique.** Les distractions peuvent causer une perte de contrôle.

## SÉCURITÉ ÉLECTRIQUE

- **Les fiches des outils électriques doivent correspondre à la prise secteur utilisée. Ne jamais modifier la fiche, de quelque façon que ce soit. Ne jamais utiliser d'adaptateurs de fiche avec des outils mis à la terre.** Les fiches et prises non modifiées réduisent le risque de choc électrique.
- **Éviter tout contact du corps avec des surfaces mises à la terre, telles que tuyaux, radiateurs, cuisinières et réfrigérateurs.** Le risque de choc électrique est accru lorsque le corps est mis à la terre.
- **Ne pas exposer les outils électriques à l'eau ou l'humidité.** La pénétration d'eau dans ces outils accroît le risque de choc électrique.
- **Ne pas maltraiter le cordon d'alimentation. Ne jamais utiliser le cordon d'alimentation pour transporter l'outil et ne jamais débrancher ce dernier en tirant sur le cordon. Garder le cordon à l'écart de la chaleur, de l'huile, des objets tranchants et des pièces en mouvement.** Un cordon endommagé ou emmêlé accroît le risque de choc électrique.
- **Pour les travaux à l'extérieur, utiliser un cordon spécialement conçu à cet effet.** Utiliser un cordon conçu pour l'usage extérieur pour réduire les risques de choc électrique.

- **S'il est nécessaire d'utiliser l'outil électrique dans un endroit humide, employer un dispositif interrupteur de défaut à la terre (GFCI).** L'utilisation d'un GFCI réduit le risque de décharge électrique.
- **Ne recharger les piles qu'avec l'appareil indiqué.** Pour utiliser l'appareil avec des piles au nickel-cadmium et au lithium-ion de 18 V, consulter le supplément de raccordement pour chargeur/outils/piles/appareil n° 987000-432.

## SÉCURITÉ PERSONNELLE

- **Rester attentif, prêter attention au travail et faire preuve de bon sens lors de l'utilisation de tout outil électrique. Ne pas utiliser cet outil en état de fatigue ou sous l'influence de l'alcool, de drogues ou de médicaments.** Un moment d'inattention pendant l'utilisation d'un outil électrique peut entraîner des blessures graves.
- **Utiliser l'équipement de sécurité. Toujours porter une protection oculaire.** L'équipement de sécurité, tel qu'un masque filtrant, de chaussures de sécurité, d'un casque ou d'une protection auditive, utilisé dans des conditions appropriées réduira le risque de blessures.
- **Éviter les démarrages accidentels. S'assurer que le commutateur est en position d'arrêt avant de brancher l'outil.** Porter un outil avec le doigt sur son commutateur ou brancher un outil dont le commutateur est en position de marche peut causer un accident.
- **Retirer les clés de réglage avant de mettre l'outil en marche.** Une clé laissée sur une pièce rotative de l'outil peut causer des blessures.
- **Ne pas travailler hors de portée. Toujours se tenir bien campé et en équilibre.** Ceci permettra de mieux contrôler l'outil en cas de situation imprévue.
- **Porter une tenue appropriée. Ne porter ni vêtements amples, ni bijoux. Garder les cheveux, les vêtements et les gants à l'écart des pièces en mouvement.** Les vêtements amples, bijoux et cheveux longs peuvent se prendre dans les pièces en mouvement.
- **Si les outils sont équipés de dispositifs de dépoussiérage, s'assurer qu'ils sont connectés et correctement utilisés.** L'usage de ces dispositifs de dépoussiérage peut réduire les dangers présentés par la poussière.
- **Ne porter ni vêtements amples, ni bijoux. Attacher ou couvrir les cheveux longs.** Les vêtements amples, bijoux et cheveux longs peuvent se prendre dans les ouïes d'aération.
- **Ne pas utiliser l'outil sur une échelle ou un support instable.** Une bonne tenue et un bon équilibre permettent de mieux contrôler l'outil en cas de situation imprévue.

# RÈGLES DE SÉCURITÉ RELATIVES AUX OUTILS ÉLECTRIQUES

## UTILISATION ET ENTRETIEN DES OUTILS ÉLECTRIQUES

- **Ne pas forcer l'outil. Utiliser l'outil approprié pour l'application.** Un outil approprié exécutera le travail mieux et de façon moins dangereuse s'il est utilisé dans les limites prévues.
- **Ne pas utiliser l'outil si le commutateur ne permet pas de le mettre en marche ou de l'arrêter.** Tout outil qui ne peut pas être contrôlé par son commutateur est dangereux et doit être réparé.
- **Débrancher l'outil et/ou retirer le bloc-piles avant d'effectuer des réglages, de changer d'accessoire ou de remiser l'outil.** Ces mesures de sécurité préventives réduisent les risques de démarrage accidentel de l'outil.
- **Ranger les outils motorisés hors de la portée des enfants et ne laisser personne n'étant pas familiarisé avec l'outil ou ces instructions utiliser l'outil.** Dans les mains de personnes n'ayant pas reçu des instructions adéquates, les outils sont dangereux.
- **Entretien des outils motorisés. Vérifier qu'aucune pièce mobile n'est mal alignée ou bloquée, qu'aucune pièce n'est brisée et s'assurer qu'aucun autre problème ne risque d'affecter le bon fonctionnement de l'outil. En cas de dommages faire réparer l'outil avant de l'utiliser de nouveau.** Beaucoup d'accidents sont causés par des outils mal entretenus.
- **Garder les outils bien affûtés et propres.** Des outils correctement entretenus et dont les tranchants sont bien affûtés risquent moins de se bloquer et sont plus faciles à contrôler.
- **Utiliser l'outil, les accessoires et embouts, etc. conformément à ces instructions pour les applications pour lesquelles ils sont conçus, en tenant compte des conditions et du type de travail à exécuter.** L'usage d'un outil motorisé pour des applications pour lesquelles il n'est pas conçu peut être dangereux.

## UTILISATION ET ENTRETIEN DE LA PILE

- **Ne recharger qu'avec l'appareil spécifié par le fabricant.** Un chargeur approprié pour un type de pile peut créer un risque d'incendie s'il est utilisé avec un autre type de pile.
- **Utiliser exclusivement le bloc-pile spécifiquement indiqué pour l'outil.** L'usage de tout autre bloc peut créer un risque de blessures et d'incendie.
- **Lorsque le bloc-piles n'est pas en usage, le garder à l'écart d'articles tels qu'attaches trombones, pièces de monnaie, clous, vis ou autres petits objets métalliques risquant d'établir le contact entre les deux bornes.** La mise en court-circuit des bornes de piles peut causer des étincelles, des brûlures ou un incendie.
- **En cas d'usage abusif, du liquide peut s'échapper des piles. Éviter tout contact avec ce liquide. En cas de contact accidentel, rincer immédiatement les parties atteintes avec de l'eau. En cas d'éclaboussure dans les yeux consulter un médecin.** Le liquide s'échappant des piles peut causer des irritations ou des brûlures.

## DÉPANNAGE

- **Les réparations doivent être confiées à un technicien qualifié, utilisant exclusivement des pièces identiques à celles d'origine.** Ceci assurera le maintien de la sécurité de l'outil.
- **Utiliser exclusivement des pièces identiques à celles d'origine pour les réparations. Se conformer aux instructions de la section Entretien de ce manuel.** L'usage de pièces non autorisées ou le non-respect des instructions peut présenter des risques de choc électrique ou de blessures.

# AVERTISSEMENTS DE SÉCURITÉ RELATIFS CLÉ À CHOCS

- **Lorsque l'outil est utilisé pour un travail risquant de le mettre en contact avec des fils électriques cachés, le tenir par les surfaces de prise isolées.** Le contact d'un dispositif de fixation avec un fil sous tension expose les pièces métalliques de l'outil et peut électrocuter l'utilisateur.
- **Apprendre à connaître l'outil. Lire attentivement le manuel d'utilisation. Apprendre les applications et les limites de l'outil, ainsi que les risques spécifiques relatifs à son utilisation.** Le respect de cette consigne réduira les risques d'incendie, de choc électrique et de blessures graves.
- **Toujours porter une protection oculaire certifiée conforme à la norme ANSI Z87.1.** Le respect de cette règle réduira les risques de blessures graves.
- **Protection respiratoire. Porter un masque facial ou un masque antipoussière si le travail produit de la poussière.** Le respect de cette consigne réduira les risques de blessures graves.
- **Protection auditive. Porter une protection auditive lors de l'utilisation prolongée.** Le respect de cette règle réduira les risques de blessures graves.
- **Les outils fonctionnant sur piles n'ayant pas besoin d'être branchés sur une prise secteur, ils sont toujours en état de fonctionnement. Tenir compte des dangers possibles lorsque l'outil n'est pas en usage et lors du remplacement des piles.** Le respect de cette consigne réduira les risques d'incendie, de choc électrique et de blessures graves.
- **Ne pas placer les outils électriques sans fil ou leurs piles à proximité de flammes ou d'une source de chaleur.** Ceci réduira les risques d'explosion et de blessures.
- **Ne pas écraser, faire tomber ou endommager le bloc-piles. Ne jamais utiliser un bloc-piles ou un chargeur qui est tombé, a été écrasé, a reçu un choc violent ou a été endommagé de quelque façon que ce soit.** Une pile endommagée risque d'exploser. Éliminer immédiatement toute pile endommagée, selon une méthode appropriée.
- **Les piles peuvent exploser en présence d'une source d'allumage, telle qu'une veilleuse.** Pour réduire les risques de blessures graves, ne jamais utiliser un appareil sans fil, quel qu'il soit, en présence d'une flamme vive. En explosant, une pile peut projeter des débris et des produits chimiques. En cas d'exposition, rincer immédiatement les parties atteintes avec de l'eau.
- **Ne pas recharger un outil fonctionnant sur piles dans un endroit humide ou mouillé.** Le respect de cette règle réduira les risques de choc électrique.
- **Pour un résultat optimal, les piles de l'outil doivent être rechargées dans un local où la température est de 10 à 38 °C (50 à 100°F). Ne pas ranger l'outil à l'extérieur ou dans un véhicule.**
- **Si l'outil est utilisé de façon intensive ou sous des températures extrêmes, des fuites de pile peuvent se produire. En cas de contact du liquide avec la peau, rincer immédiatement la partie atteinte avec de l'eau. En cas d'éclaboussure dans les yeux, les rincer à l'eau fraîche pendant au moins 10 minutes, puis contacter immédiatement un médecin.** Le respect de cette règle réduira les risques de blessures graves.
- **Conserver ces instructions.** Les consulter fréquemment et les utiliser pour instruire les autres utilisateurs éventuels. Si cet outil est prêté, il doit être accompagné de ces instructions, afin d'éviter un usage incorrect et d'éventuelles blessures.

## PROPOSITION 65 DE LA CALIFORNIE



### AVERTISSEMENT :

Ce produit et la poussière dégagée lors du ponçage, sciage, meulage, perçage de certains matériaux et lors d'autres opérations de construction contient des produits chimiques reconnus causer le cancer, des malformations congénitales ou des lésions de l'appareil reproducteur. **Bien se laver les mains après toute manipulation.**




Voici certains exemples de ces produits chimiques :

- le plomb contenu dans la peinture au plomb,
- la silice cristalline contenue dans les briques, le béton et d'autres produits de maçonnerie, ainsi que
- l'arsenic et le chrome contenus dans le bois de construction traité par produits chimiques.







Le risque présenté par l'exposition à ces produits varie en fonction de la fréquence de ce type de travail. Pour réduire l'exposition, travailler dans un endroit bien aéré et utiliser des équipements de sécurité approuvés tels que masques antipoussière spécialement conçus pour filtrer les particules microscopiques.

# SYMBOLES

Les termes de mise en garde suivants et leur signification ont pour but d'expliquer le degré de risques associé à l'utilisation de ce produit.

SYMBOLE	SIGNAL	SIGNIFICATION
	<b>DANGER :</b>	Indique une situation extrêmement dangereuse qui, si elle n'est pas évitée, aura pour conséquences des blessures graves ou mortelles.
	<b>AVERTISSEMENT :</b>	Indique une situation potentiellement dangereuse qui, si elle n'est pas évitée, pourrait entraîner des blessures graves ou mortelles.
	<b>ATTENTION :</b>	Indique une situation potentiellement dangereuse qui, si elle n'est pas évitée, pourrait entraîner des blessures légères ou de gravité modérée.
	<b>ATTENTION :</b>	(Sans symbole d'alerte de sécurité) Indique une situation pouvant entraîner des dommages matériels.

Certains des symboles ci-dessous peuvent être utilisés sur produit. Veiller à les étudier et à apprendre leur signification. Une interprétation correcte de ces symboles permettra d'utiliser produit plus efficacement et de réduire les risques.

SYMBOLE	NOM	DÉSIGNATION / EXPLICATION
	Symbole d'alerte de sécurité	Indique un risque de blessure potentiel.
	Lire manuel d'utilisation	Pour réduire les risques de blessures, l'utilisateur doit lire et veiller à bien comprendre le manuel d'utilisation avant d'utiliser ce produit.
	Protection oculaire	Toujours porter une protection oculaire avec écrans latéraux certifiée conforme à la norme ANSI Z87.1.
	Avertissement concernant l'humidité	Ne pas exposer à la pluie ou l'humidité.
	Symboles de recyclage	Ce produit utilise les piles de lithium-ion ou nickel-cadmium. Les réglementations locales ou gouvernementales peuvent interdire de jeter les bloc-piles au nickel-cadmium dans les ordures ménagères. Consulter les autorités locales compétentes pour les options de recyclage et/ou l'élimination.
	Surface brûlante	Pour éviter les risques de blessures ou de dommages, éviter tout contact avec les surfaces brûlantes.
V	Volts	Tension
min	Minutes	Temps
—	Courant continu	Type ou caractéristique du courant
$n_0$	Vitesse à vide	Vitesse de rotation à vide
.../min	Par minute	Tours, coups, vitesse périphérique, orbites, etc., par minute

# CARACTÉRISTIQUES

## FICHE TECHNIQUE

Moteur ..... 18 V c.c.  
Coupleur ..... 6,35 mm (1/4 po)  
Gâchette ..... (VSR) Vitesse variable réversible

Vitesse à vide ..... 0-2 600 /min. (RPM)  
Couple ..... 169,5 Nm (1 500 po-lb)  
Vitesse d'impact ..... 0-3 200 IPM

## POUR SE FAMILIARISER AVEC TOURNEVIS À PERCUSSION

Voir la figure 1, page 11.

La sécurité d'utilisation de ce produit exige la compréhension des informations apposées sur l'produit et contenues dans ce manuel d'utilisation, ainsi que la connaissance du travail à exécuter. Avant d'utiliser ce produit, se familiariser avec toutes ses fonctions et règles de sécurité.

## LOGEMENT POUR EMBOUTS

Le logement pour embouts se trouve dans la base du tournevis à percussion.

## SÉLECTEUR DE SENS DE ROTATION

(AVANT/ARRIÈRE/POSITION CENTRALE VERROUILLÉE)

Le sélecteur de sens de rotation (avant/arrière/position centrale verrouillée) qui se trouve au-dessus de l'interrupteur modifiera le sens de rotation de l'embout.

## COMPARTIMENT MAG TRAY™ (POUR VIS)

Le plateau magnétique permet de ranger commodément les vis et autres petites pièces.

## GÂCHETTE DE COMMANDE DE VITESSE VARIABLE

Cet outil est doté d'une gâchette de commande de vitesse sensible à la pression. La vitesse est contrôlée par la pression exercée sur la gâchette.

# ASSEMBLAGE

## DÉBALLAGE

Ce produit a été expédié complètement assemblé.

- Avec précaution, sortir l'produit et les accessoires de la boîte. S'assurer que toutes les pièces figurant sur la liste de contrôle sont incluses.

### AVERTISSEMENT :

Ne pas utiliser le produit s'il n'est pas complètement assemblé ou si des pièces semblent manquantes ou endommagées. Le fait d'utiliser un produit assemblé de façon inadéquate ou incomplète peut entraîner des blessures graves.

- Examiner soigneusement l'produit pour s'assurer que rien n'a été brisé ou endommagé en cours de transport.
- Ne pas jeter les matériaux d'emballage avant d'avoir soigneusement examiné l'produit et avoir vérifié qu'il fonctionne correctement.
- Si des pièces sont manquantes ou endommagées, appeler le 1-800-525-2579.

## LISTE DE CONTRÔLE D'EXPÉDITION

Clé à chocs  
Embout standard  
Adaptateur  
Manuel d'utilisation

### AVERTISSEMENT :

Si des pièces manquent ou sont endommagées, ne pas utiliser cet outil avant qu'elles aient été remplacées. Le fait d'utiliser ce produit même s'il contient des pièces endommagées ou s'il lui manque des pièces peut entraîner des blessures graves.

### AVERTISSEMENT :

Ne pas essayer de modifier cet produit ou de créer des accessoires non recommandés pour l'produit. De telles altérations ou modifications sont considérées comme un usage abusif et peuvent créer des conditions dangereuses, risquant d'entraîner des blessures graves.

### AVERTISSEMENT :

Pour empêcher un démarrage accidentel pouvant entraîner des blessures graves, toujours retirer le pile de l'produit avant d'assembler des pièces.



# UTILISATION

## **AVERTISSEMENT :**

Ne pas laisser la familiarité avec l'produit faire oublier la prudence. Ne pas oublier qu'une fraction de seconde d'inattention peut entraîner des blessures graves.

## **AVERTISSEMENT :**

Toujours porter une protection oculaire certifiée conforme à la norme ANSI Z87.1. Si cette précaution n'est pas prise, des objets peuvent être projetés dans les yeux et causer des lésions graves.

## **AVERTISSEMENT :**

Ne pas utiliser d'produits ou accessoires non recommandés par le fabricant pour cet produit. L'utilisation de pièces et accessoires non recommandés peut entraîner des blessures graves.

## APPLICATIONS

Cet produit peut être utilisé pour les applications ci-dessous :

- Enfoncement de vis longues pour la construction d'une terrasse en bois
- Enfoncement de boulons traversant dans les montants de la terrasse
- Enfoncement de vis Tapcon® dans les parpaings et le béton
- Vissage dans les montants métalliques

Ce produit est compatible avec les piles 18V de Ryobi One+ au lithium-ion et au nickel cadmium 18V de Ryobi One+.

Pour prendre connaissance des consignes de chargement, consulter le manuel d'utilisation des piles et des chargeurs pour votre modèles.

## CARACTÉRISTIQUES RELATIVES À LA PROTECTION DES PILES

Les piles au lithium ion de Ryobi sont conçues de manière à protéger les piles au lithium ion et à maximiser l'autonomie des piles.

Si l'outil s'arrête en cours d'utilisation, relâcher la gâchette pour le réenclencher et reprendre l'opération. Si l'outil ne fonctionne toujours pas, cela signifie qu'il est nécessaire de recharger la pile.

## INSTALLATION/RETRAIT DU BLOC DE PILES

Voir la figure 2, page 11.

### Pour installer la pile :

- Mettre le sélecteur de sens de rotation à la position centrale.
- Insérer la pile dans l'outil tel qu'illustré.
- S'assurer que les loquets de chaque côté de la pile s'enclenchent en place et que la pile est bien fixée avant d'utiliser l'outil.

## **AVERTISSEMENT :**

Toujours retirer la bloc-pile de l'outil au moment d'assembler des pièces, d'effectuer des réglages et de procéder au nettoyage, ou lorsque l'outil n'est pas utilisé. Le fait de retirer la bloc-pile permet d'empêcher un démarrage accidentel pouvant entraîner des blessures graves.

### Pour retirer la pile :

- Appuyer sur les loquets de chaque côté de la pile.
- Retirer la pile de l'outil.

## **AVERTISSEMENT :**

Les outils à piles sont toujours en état de fonctionnement. Il est donc nécessaire de toujours verrouiller la gâchette lorsque l'outil n'est pas en usage et pendant son transport.

## GÂCHETTE DE COMMUTEUR

Voir la figure 3, page 11.

Pour mettre l'outil en **MARCHE**, appuyer sur la gâchette. Pour **ARRÊTER**, relâcher la gâchette.

## VITESSE VARIABLE

Voir la figure 3, page 11.

La gâchette avec variation de vitesse procurera des vitesses plus élevées si une pression accrue est exercée et des vitesses moins élevées dans le cas d'une pression réduite.

**NOTE :** La gâchette peut produire un bruit de sifflement ou de grincement pendant le fonctionnement. e pas s'inquiéter, ce bruit fait partie du fonctionnement normal.

## SÉLECTEUR DE SENS DE ROTATION (AVANT/ARRIÈRE/POSITION CENTRALE VERROUILLÉE)

Voir la figure 3, page 11.

Le sens de rotation est commandé par un sélecteur situé au-dessus de la gâchette. La perceuse étant tenue en position normale d'utilisation, le sélecteur de sens de rotation doit être tourné vers la gauche pour percer. Le sens de rotation est inversé lorsque le sélecteur est tourné vers la droite.

# UTILISATION

## ATTENTION :

Pour éviter des dommages aux engrenages, toujours laisser le mandrin parvenir à l'arrêt complet avant de changer de sens de rotation.

Pour arrêter la perceuse, relâcher la gâchette et laisser le moteur parvenir à l'arrêt complet.

## COUPLEUR INTÉGRÉ

Voir la figure 4, page 11.

Cet outil est doté d'un coupleur. Le coupleur est conçu pour l'insertion d'embouts hexagonaux de 6,35 mm (1/4 po).

## INSTALLATION DES EMOBOUTS

Voir la figure 4, page 11.

- Verrouiller la gâchette en mettant le sélecteur de sens de rotation en position centrale.
- Faire glisser le coupleur vers l'avant et le maintenir dans cette position.
- Insérer l'embout droit dans le coupleur.
- Ramener le coupleur en arrière lentement et le relâcher.

## RETRAIT DES EMOBOUTS

Voir la figure 4, page 11.

- Verrouiller la gâchette en mettant le sélecteur de sens de rotation en position centrale.
- Faire glisser le coupleur vers l'avant et le maintenir dans cette position.
- Tirer l'embout droit hors du coupleur.



## AVERTISSEMENT :

S'assurer que l'embout est solidement maintenu dans le coupleur avant d'utiliser la tournevis à percussion. Ne pas prendre cette précaution peut entraîner des risques de blessures graves.



## AVERTISSEMENT :

Ne pas enfoncer de vis dans des surfaces pouvant dissimuler des fils électriques. En cas de contact avec un fil sous tension, les parties métalliques de l'outil seraient mises sous tension et l'opérateur subirait un choc électrique. Si vous devez enfoncer une vis dans un endroit où des fils électriques cachés peuvent être présents, tenir l'outil par les surfaces de prise isolées pour éviter un choc électrique.

## ATTENTION :

La clé à choc n'est pas conçue pour être utilisée comme une perceuse.

## VISSAGE ET DÉVISSAGE

Voir les figures 5 et 6, page 11.

- Appuyer sur le sélecteur de sens de rotation dans le sens désiré.
- Tenir la tournevis à percussion d'une main.
- Placer l'embout sur la tête de la vis et appuyer lentement sur la gâchette. Nous recommandons de commencer avec une rotation lente pour un meilleur contrôle.
- La vis commence à s'enfoncer sous l'effet des chocs.

# ENTRETIEN

## AVERTISSEMENT :

Utiliser exclusivement des pièces d'origine pour les réparations. L'usage de toute autre pièce peut créer une situation dangereuse ou endommager l'produit.

## AVERTISSEMENT :

Toujours porter une protection oculaire certifiée conforme à la norme ANSI Z87.1. Si cette précaution n'est pas prise, des objets peuvent être projetés dans les yeux et causer des lésions graves.

## AVERTISSEMENT :

Pour empêcher un démarrage accidentel pouvant entraîner des blessures graves, toujours retirer le piles de l'produit avant tout nettoyage ou entretien.

## ENTRETIEN GÉNÉRAL

Éviter d'utiliser des solvants pour le nettoyage des pièces en plastique. La plupart des matières plastiques peuvent être endommagées par divers types de solvants du commerce. Utiliser un chiffon propre pour éliminer la saleté, la poussière, l'huile, la graisse, etc.

## AVERTISSEMENT :

Ne jamais laisser de liquides tels que le fluide de freins, l'essence, les produits à base de pétrole, les huiles pénétrantes, etc., entrer en contact avec les pièces en plastique. Les produits chimiques peuvent endommager, affaiblir ou détruire le plastique, ce qui peut entraîner des blessures graves.

## RETRAIT ET PRÉPARATION DU PILES POUR LE RECYCLAGE

### AVERTISSEMENT :

Après avoir retiré le piles, couvrir ses bornes avec un ruban adhésif de qualité industrielle. Ne pas essayer de démonter ou détruire le piles, ni de retirer des composants quels qu'ils soient. Les piles épuisées doivent être recyclées ou éliminées selon une méthode appropriée. Ne jamais toucher les deux bornes avec des objets en métal ou une partie du corps, car cela pourrait créer un court-circuit. Garder hors de la portée des enfants. Le non-respect de ces mises en garde peut résulter en un incendie et/ou des blessures graves.

**NOTE : FIGURES (ILLUSTRATIONS) COMMENÇANT SUR 11 DE PAGE APRÈS LE SECTION ESPAGNOL.**

# ÍNDICE DE CONTENIDO

■ Introducción.....	2
■ Garantía .....	2
■ Advertencias de seguridad para herramientas eléctricas .....	3-4
■ Advertencias de seguridad destornillador de impacto.....	5
■ Símbolos.....	6
■ Características.....	7
■ Armado .....	7
■ Funcionamiento .....	8-9
■ Mantenimiento.....	10
■ Figura numeras (ilustraciones).....	11
■ Pedidos de piezas / Servicio .....	Pág. posterior

## INTRODUCCIÓN

Esta herramienta ofrece numerosas características para hacer más agradable y placentero su uso. En el diseño de este producto se ha conferido prioridad a la seguridad, el desempeño y la fiabilidad, por lo cual se facilita su manejo y mantenimiento.

## GARANTÍA

### HERRAMIENTAS ELÉCTRICAS RYOBI® – GARANTÍA LIMITADA DE TRES AÑOS Y POLÍTICA DE INTERCAMBIO A LOS 90 DÍAS

One World Technologies, Inc., garantiza sus herramientas eléctricas con las siguientes condiciones:

**POLÍTICA DE INTERCAMBIO A LOS 90 DÍAS:** Durante los primeros 90 días a partir de la fecha de compra, usted puede solicitar servicio al amparo de esta garantía o puede intercambiar cualquier herramienta eléctrica RYOBI® que no funcione correctamente debido a defectos en los materiales o en la mano de obra, devolviéndola en el establecimiento donde la adquirió. Para recibir la herramienta eléctrica de reemplazo o el servicio de garantía solicitado, debe presentar documentación de prueba de la compra, y devolver el equipo original empaquetado con el producto original. La herramienta eléctrica de reemplazo queda cubierta por la garantía limitada por el resto del período de garantía de tres años a partir de la fecha de la compra original.

**LO QUE CUBRE ESTA GARANTÍA:** Esta garantía cubre todos los defectos en material y en mano de obra empleados en la herramienta eléctrica RYOBI® por un período de tres años a partir de la fecha de compra. Con excepción de las baterías, los accesorios de las herramientas eléctricas están garantizados por noventa (90) días. Las baterías están garantizadas por tres años.

**FORMA DE OBTENER SERVICIO:** Simplemente envíe la herramienta eléctrica debidamente empaquetada y con el flete pagado por anticipado a un centro de servicio autorizado. Puede obtener información sobre la ubicación del centro de servicio autorizado más cercano escribiendo a One World Technologies, Inc., P.O. Box 1207, Anderson, SC 29622-1207, USA, llamando al 1-800-525-2579 o dirigiéndose al sitio en Internet, [www.ryobitools.com](http://www.ryobitools.com). Al solicitar servicio al amparo de la garantía, debe presentar documentación de prueba de la compra que incluya la fecha de ésta (por ejemplo un recibo de venta). Reparamos toda mano de obra deficiente del producto, y reparamos o reemplazamos cualquier pieza defectuosa, a nuestra sola discreción. Lo hacemos sin cargarle ningún costo al consumidor. Efectuamos el trabajo en un período de tiempo razonable, pero en todo caso en menos de noventa (90) días.

**LO QUE NO ESTÁ CUBIERTO:** Esta garantía se ofrece exclusivamente al comprador original al menudeo y no puede transferirse. Esta garantía sólo cubre defectos que aparezcan en el uso normal de la herramienta y no cubre ningún malfuncionamiento, falla o defecto producido por el uso indebido, maltrato, negligencia, alteración, modificación o reparación efectuada por terceros diferentes de los centros de servicio autorizados. One World Technologies, Inc. no ofrece ninguna garantía, declaración o promesa en relación con la calidad o el desempeño de sus herramientas eléctricas más que las señaladas específicamente en esta garantía.

**LIMITACIONES ADICIONALES:** Toda garantía otorgada de conformidad con las leyes estatales, incluidas las garantías de comerciabilidad o idoneidad para un uso en particular, está limitada a tres años a partir de la fecha de compra. One World Technologies, Inc. no es reponsable de daños directos, indirectos o incidentales, por lo tanto es posible que las limitaciones y exclusiones descritas arriba no se apliquen en el caso de usted. Esta garantía le confiere derechos legales específicos, y es posible que usted goce de otros derechos, los cuales pueden variar de estado a estado.

# ADVERTENCIAS DE SEGURIDAD PARA HERRAMIENTAS ELÉCTRICAS



## ADVERTENCIA:

Lea todas las advertencias de seguridad y instrucciones. El incumplimiento de las advertencias e instrucciones puede ocasionar descarga eléctrica, fuego o lesiones graves.

Guarde todas las advertencias e instrucciones para futuras consultas. El término “herramienta eléctrica” empleado en todos los avisos de advertencia enumerados abajo se refiere a las herramientas eléctricas de cordón (alámbricas) y de baterías (inalámbricas).

## SEGURIDAD EN EL ÁREA DE TRABAJO

- **Mantenga limpia y bien iluminada el área de trabajo.** Un área de trabajo mal despejada o mal iluminada propicia accidentes.
- **No utilice herramientas motorizadas en atmósferas explosivas, como las existentes alrededor de líquidos, gases y polvos inflamables.** Las herramientas eléctricas generan chispas que pueden encender el polvo y los vapores inflamables.
- **Mantenga alejados a los niños y circunstantes al maniobrar una herramienta eléctrica.** Toda distracción puede causar pérdida del control de la herramienta.

## SEGURIDAD ELÉCTRICA

- **Las clavijas de las herramientas eléctricas deben corresponder a las tomas de corriente donde se conectan. Nunca modifique la clavija de ninguna forma. No utilice ninguna clavija adaptadora con herramientas eléctricas dotadas de contacto a tierra.** Conectando las clavijas originales en las tomas de corriente donde corresponden se disminuye el riesgo de una descarga eléctrica.
- **Evite el contacto del cuerpo con las superficies de objetos que estén haciendo tierra o estén conectados a ésta, como tuberías, radiadores, estufas y refrigeradores.** Existe un mayor riesgo de descargas eléctricas si el cuerpo está haciendo tierra.
- **No exponga las herramientas eléctricas a la lluvia ni a condiciones de humedad.** La introducción de agua en una herramienta eléctrica aumenta el riesgo de descargas eléctricas.
- **No maltrate el cordón eléctrico. Nunca utilice el cordón para trasladar, desconectar o tirar de la herramienta eléctrica. Mantenga el cordón alejado del calor, del aceite, de bordes afilados y de piezas móviles.** Los cordones eléctricos dañados o enredados aumentan el riesgo de descargas eléctricas.

- **Al utilizar una herramienta eléctrica a la intemperie, use un cordón de extensión apropiado para el exterior.** Usando un cordón adecuado para el exterior se disminuye el riesgo de descargas eléctricas.
- **Si debe operar una herramienta en lugares húmedos, use un suministro protegido por un interruptor de circuito con pérdida a tierra (GFCI).** El uso de un GFCI reduce el riesgo de descargas eléctricas.
- **Cargue las baterías solamente con el cargador indicado.** Para utilizar con paquetes de baterías de níquel-cadmio de 18 V o de iones de litio de 18 V, consulte el folleto de la herramienta/aparato/paquete de baterías/cargador complementario 987000-432.

## SEGURIDAD PERSONAL

- **Permanezca alerta, preste atención a lo que esté haciendo y aplique el sentido común al utilizar herramientas eléctricas. No utilice la herramienta eléctrica si está cansado o se encuentra bajo los efectos de alguna droga, alcohol o medicamento.** Un momento de inatención al utilizar una herramienta eléctrica puede causar lesiones corporales serias.
- **Use equipo de seguridad. Siempre póngase protección ocular.** El uso de equipo de seguridad como mascarilla para el polvo, calzado de seguridad, casco y protección para los oídos en las circunstancias donde corresponda disminuye el riesgo de lesiones.
- **Evite un arranque accidental de la unidad. Asegúrese de que el interruptor esté en la posición de apagado antes de conectar la herramienta.** Portar las herramientas eléctricas con el dedo en el interruptor, o conectarlas con el interruptor puesto, propicia accidentes.
- **Retire toda llave o herramienta de ajuste antes de encender la herramienta eléctrica.** Toda llave o herramienta de ajuste dejada en una pieza giratoria de la herramienta eléctrica puede causar lesiones.
- **No estire el cuerpo para alcanzar mayor distancia. Mantenga una postura firme y buen equilibrio en todo momento.** De esta manera se logra un mejor control de la herramienta eléctrica en situaciones inesperadas.
- **Vístase adecuadamente. No vista ropas holgadas ni joyas. Mantenga el cabello, la ropa y los guantes alejados de las piezas móviles.** Las ropas holgadas, las joyas y el cabello largo pueden engancharse en las piezas móviles.
- **Si se suministran dispositivos para conectar mangueras de extracción y captación de polvo, asegúrese de que éstas estén bien conectadas y se usen correctamente.** La utilización de captador de polvo puede disminuir los peligros relacionados con el polvo.

# ADVERTENCIAS DE SEGURIDAD PARA HERRAMIENTAS ELÉCTRICAS

- **No vista ropas holgadas ni joyas. Recójase el cabello si está largo.** Las ropas holgadas y las joyas, así como el cabello largo, pueden resultar atraídas hacia el interior de las aberturas de ventilación.
- **No utilice la unidad al estar en una escalera o en un soporte inestable.** Una postura estable sobre una superficie sólida permite un mejor control de la herramienta eléctrica en situaciones inesperadas.

## EMPLEO Y CUIDADO DE LA HERRAMIENTA ELÉCTRICA

- **No fuerce la herramienta eléctrica. Utilice la herramienta eléctrica adecuada para cada trabajo.** La herramienta eléctrica adecuada efectúa mejor y de manera más segura el trabajo, si además se maneja a la velocidad para la que está diseñada.
- **No utilice la herramienta si el interruptor no enciende o no apaga.** Cualquier herramienta eléctrica que no pueda controlarse con el interruptor es peligrosa y debe repararse.
- **Desconecte la clavija del suministro de corriente o retire el paquete de baterías de la herramienta eléctrica, según sea el caso, antes de efectuarle cualquier ajuste, cambiarle accesorios o guardarla.** Tales medidas preventivas de seguridad reducen el riesgo de poner en marcha accidentalmente la herramienta.
- **Guarde las herramientas eléctricas desocupadas fuera del alcance de los niños y no permita que las utilicen personas no familiarizadas con las mismas o con estas instrucciones.** Las herramientas eléctricas son peligrosas en manos de personas no capacitadas en el uso de las mismas.
- **Preste servicio a las herramientas eléctricas. Revise para ver si hay desalineación o atoramiento de piezas móviles, ruptura de piezas o cualquier otra condición que pueda afectar el funcionamiento de la herramienta. Si está dañada la herramienta eléctrica, permita que la reparen antes de usarla.** Numerosos accidentes son causados por herramientas eléctricas mal cuidadas.
- **Mantenga las herramientas de corte afiladas y limpias.** Las herramientas de corte bien cuidadas y con bordes bien afilados, tienen menos probabilidad de atascarse en la pieza de trabajo y son más fáciles de controlar.

- **Utilice la herramienta eléctrica, los accesorios y brocas, hojas y cuchillas de corte, ruedas de esmeril, etc. de conformidad con estas instrucciones, tomando en cuenta las condiciones de trabajo y la tarea por realizar.** Si se utiliza la herramienta eléctrica para operaciones diferentes de las indicadas podría originar una situación peligrosa.

## EMPLEO Y CUIDADO DE LA HERRAMIENTA DE BATERÍAS

- **Sólo cargue el paquete de baterías con el cargador especificado por el fabricante.** Un cargador adecuado para un tipo paquete de baterías puede significar un riesgo de incendio si se emplea con un paquete de baterías diferente.
- **Utilice las herramientas eléctricas sólo con los paquetes de baterías específicamente indicados.** El empleo de paquetes de baterías diferentes puede presentar un riesgo de incendio.
- **Cuando no esté utilizándose el paquete de baterías, manténgalo lejos de otros objetos metálicos, como clips, monedas, llaves, clavos, tornillos o otros objetos metálicos, pequeños que puedan establecer conexión entre ambas terminales.** Establecer una conexión directa entre las dos terminales de las baterías puede causar quemaduras o incendios.
- **Si se maltratan las baterías, puede derramarse líquido de las mismas; evite todo contacto con éste. En caso de contacto, lávese con agua. Si el líquido llega a tocar los ojos, además busque atención médica.** El líquido de las baterías puede causar irritación y quemaduras.

## SERVICIO

- **Permita que un técnico de reparación calificado preste servicio a la herramienta eléctrica, y sólo con piezas de repuesto idénticas.** De esta manera se mantiene la seguridad de la herramienta eléctrica.
- **Al dar servicio a una herramienta eléctrica, sólo utilice piezas de repuesto idénticas. Siga las instrucciones señaladas en la sección Mantenimiento de este manual.** El empleo de piezas no autorizadas o el incumplimiento de las instrucciones de mantenimiento puede significar un riesgo de descarga eléctrica o de lesiones.

# ADVERTENCIAS DE SEGURIDAD DESTORNILLADOR DE IMPACTO

- **Sujete la herramienta eléctrica por las superficies aisladas de sujeción al efectuar una operación en la cual el sujetador pueda entrar en contacto con cables ocultos.** Los sujetadores que entren en contacto con un cable “con carga” pueden hacer que la electricidad se transmita a las piezas metálicas expuestas de la herramienta eléctrica y eso podría provocar una descarga eléctrica en el operador.
- **Familiarícese con su herramienta eléctrica. Lea cuidadosamente el manual del operador. Aprenda sus usos y limitaciones, así como los posibles peligros específicos de esta herramienta eléctrica.** Con el cumplimiento de esta regla se reduce el riesgo de una descarga eléctrica, incendio o lesión seria.
- **Siempre póngase protección ocular con la marca de cumplimiento de la norma ANSI Z87.1.** Con el cumplimiento de esta regla se reduce el riesgo de lesiones corporales serias.
- **Protéjase los pulmones. Use una careta o mascarilla contra el polvo si la operación genera mucho polvo.** Con el cumplimiento de esta regla se reduce el riesgo de lesiones serias.
- **Protéjase los oídos. Durante períodos prolongados de utilización del producto, póngase protección para los oídos.** Con el cumplimiento de esta regla se reduce el riesgo de lesiones corporales serias.
- **No se necesita conectar a una toma de corriente las herramientas de baterías; por lo tanto, siempre están en condiciones de funcionamiento. Esté consciente de los posibles peligros cuando no esté usando la herramienta de baterías o cuando esté cambiando los accesorios de la misma.** Con el cumplimiento de esta regla se reduce el riesgo de una descarga eléctrica, incendio o lesión corporal seria.
- **No coloque herramientas de baterías ni las baterías mismas cerca del fuego o del calor.** De esta manera se reduce el riesgo de explosiones y de lesiones.
- **No aplaste, deje caer o dañe de baterías. Nunca utilice una batería o cargador que se ha caído, aplastado, recibido un golpe contundente o ha sido dañado(a) de alguna manera.** Las baterías dañadas pueden sufrir explosiones. Deseche de inmediato toda batería que haya sufrido una caída o cualquier daño.
- **Las baterías pueden explotar en presencia de fuentes de inflamación, como los pilotos de gas.** Para reducir el riesgo de lesiones serias, nunca use un producto inalámbrico en presencia de llamas expuestas. La explosión de una batería puede lanzar fragmentos y compuestos químicos. Si ha quedado expuesto a la explosión de una batería, lávese de inmediato con agua.
- **No cargue herramientas de baterías en lugares mojados o húmedos.** Con el cumplimiento de esta regla se reduce el riesgo de una descarga eléctrica.
- **Para obtener resultados óptimos, debe cargar la herramienta de baterías en un lugar donde la temperatura esté entre 10 y 38 °C (entre 50 y 100 °F).** No guarde la herramienta a la intemperie ni en el interior de vehículos.
- **En condiciones extremas de uso o temperatura las baterías pueden emanar líquido. Si el líquido llega a tocarle la piel, lávese de inmediato con agua y jabón. Si le entra líquido en los ojos, láveselos con agua limpia por lo menos 10 minutos, y después busque de inmediato atención médica.** Con el cumplimiento de esta regla se reduce el riesgo de lesiones corporales serias.
- **Guarde estas instrucciones.** Consúltelas con frecuencia y empléelas para instruir a otras personas que puedan utilizar esta herramienta. Si presta a alguien esta herramienta, facilítele también las instrucciones.

## CALIFORNIA - PROPUESTA DE LEY NÚM. 65



### ADVERTENCIA:

Este producto puede contener sustancias químicas (por ejemplo, plomo) reconocidas por el estado de California como causantes de cáncer, defectos congénitos y otras afecciones del aparato reproductor. **Lávese las manos después de utilizar el aparato.**




Algunos ejemplos de estas sustancias químicas son:

- plomo de las pinturas a base de plomo,
- silicio cristalino de los ladrillos, del cemento y de otros productos de albañilería, y
- arsénico y cromo de la madera químicamente tratada.







El riesgo de la exposición a estos compuestos varía, según la frecuencia con que se realice este tipo de trabajo. Para reducir la exposición personal, trabaje en áreas bien ventiladas, y con equipo de seguridad aprobado, tal como las caretas para el polvo especialmente diseñadas para filtrar partículas microscópicas.

# SYMBOLS

Las siguientes palabras de señalización y sus significados tienen el objeto de explicar los niveles de riesgo relacionados con este producto.

SÍMBOLO	SEÑAL	SIGNIFICADO
	<b>PELIGRO:</b>	Indica una situación peligrosa inminente, la cual, si no se evita, causará la muerte o lesiones serias.
	<b>ADVERTENCIA:</b>	Indica una situación peligrosa posible, la cual, si no se evita, podría causar la muerte o lesiones serias.
	<b>PRECAUCIÓN:</b>	Indica una situación peligrosa posible, la cual, si no se evita, podría causar lesiones menores o leves.
	<b>PRECAUCIÓN:</b>	(Sin el símbolo de alerta de seguridad) Indica una situación que puede producir daños materiales.

Es posible que se empleen en este producto algunos de los siguientes símbolos. Le suplicamos estudiarlos y aprender su significado. Una correcta interpretación de estos símbolos le permitirá utilizar mejor y de manera más segura el producto.

SÍMBOLO	NOMBRE	DENOMINACIÓN/EXPLICACIÓN
	Alerta de seguridad	Indica un peligro posible de lesiones personales.
	Lea manual del operador	Para reducir el riesgo de lesiones, el usuario debe leer y comprender el manual del operador antes de usar este producto.
	Protección ocular	Siempre póngase protección ocular con protección lateral con la marca de cumplimiento de la norma ANSI Z87.1.
	Alerta de condiciones húmedas	No exponga la unidad a la lluvia ni la use en lugares húmedos.
	Símbolos de reciclado	Este producto contiene baterías de níquel-cadmio o iones de litio. Es posible que algunas leyes municipales, estatales o federales prohíban desechar las baterías de níquel-cadmio en la basura normal. Consulte a las autoridades reguladoras de desechos para obtener información en relación con las alternativas de reciclado y desecho disponibles.
	Superficie caliente	Para reducir el riesgo de lesiones corporales o daños materiales evite tocar toda superficie caliente.
V	Volts	Voltaje
min	Minutos	Tiempo
==	Corriente continua	Tipo o característica de corriente
$n_0$	Velocidad en vacío	Velocidad de rotación, en vacío
.../min	Por minuto	Revoluciones, carreras, velocidad superficial, órbitas, etc., por minuto



# CARACTERÍSTICAS

## ESPECIFICACIONES DEL PRODUCTO

Motor ..... 18 V corr. cont.  
Acoplador ..... 6,35 mm (1/4 pulg.)  
Interruptor ..... (VSR) Velocidad variable invertible

Velocidad en vacío ..... 0-2 600 /min. (RPM)  
Fuerza de torsión ..... 169,5 Nm (1 500 lb-pulg.)  
Velocidad de impacto ..... 3 200 IPM

## FAMILIARÍCESE CON DESTORNILLADOR DE IMPACTO

Vea la figura 1, página 11.

Para usar este producto con la debida seguridad se debe comprender la información indicada en la herramienta misma y en este manual, y se debe comprender también el trabajo que intenta realizar. Antes de usar este producto, familiarícese con todas las características de funcionamiento y normas de seguridad del mismo.

## LUGAR DE ALMACENAMIENTO PARA BROCAS

El lugar de almacenamiento para brocas está ubicado en la base del destornillador de impacto.

## DIRECCIÓN DEL SELECTOR DE ROTACIÓN (MARCHA ADELANTE/ATRÁS/SEGURO EN EL CENTRO)

La dirección del selector de rotación (marcha adelante/atrás/seguro en el centro) que se encuentra sobre el interruptor del gatillo cambia la dirección de rotación de la broca.

## MAG TRAY™ (COMPARTIMIENTO PARA TORNILLOS)

La bandeja magnética sirve para guardar de forma conveniente tornillos y otras partes pequeñas

## GATILLO DEL INTERRUPTOR DE VELOCIDAD VARIABLE

Esta herramienta dispone de un interruptor de velocidad variable, el cual produce mayor velocidad cuanto mayor presión se aplica en el mismo. La velocidad se controla mediante la presión aplicada en el gatillo del interruptor.

# ARMADO

## DESEMPAQUETADO

Este producto requiere armarse.

- Extraiga cuidadosamente de la caja la herramienta y los accesorios. Asegúrese de que estén presentes todos los artículos enumerados en la lista de empaquetado.

### ADVERTENCIA:

No use este producto si no está totalmente ensamblado o si alguna pieza falta o está dañada. Si utiliza un producto que no se encuentra ensamblado de forma correcta y completa, puede sufrir lesiones graves.

- Inspeccione cuidadosamente la herramienta para asegurarse de que no haya sufrido ninguna rotura o daño durante el transporte.
- No deseche el material de empaquetado hasta que haya inspeccionado cuidadosamente la herramienta y la haya utilizado satisfactoriamente.
- Si hay piezas dañadas o faltantes, le suplicamos llamar al 1-800-525-2579, donde le brindaremos asistencia.

## LISTA DE EMPAQUETADO

Destornillador de impacto  
Punta de destornillador estándar  
Punta adaptadora  
Manual del operador

### ADVERTENCIA:

Si hay piezas dañadas o faltantes, no utilice esta producto sin haber reemplazado todas las piezas. Usar este producto con partes dañadas o faltantes puede causar lesiones serias al operador.

### ADVERTENCIA:

No intente modificar esta herramienta ni hacer accesorios no recomendados para la misma. Cualquier alteración o modificación constituye maltrato el cual puede causar una condición peligrosa, y como consecuencia posibles lesiones corporales serias.

### ADVERTENCIA:

Para evitar un arranque accidental que podría causar lesiones corporales serias, siempre desmonte de la producto el paquete de baterías al montarle piezas a aquélla.

# FUNCIONAMIENTO

## **ADVERTENCIA:**

No permita que su familiarización con las herramientas lo vuelva descuidado. Tenga presente que un descuido de un instante es suficiente para causar una lesión grave.

## **ADVERTENCIA:**

Siempre póngase protección ocular con protección lateral con la marca de cumplimiento de la norma ANSI Z87.1. Si no cumple esta advertencia, los objetos que salen despedidos pueden producirle lesiones serias en los ojos.

## **ADVERTENCIA:**

No utilice ningún aditamento o accesorio no recomendado por el fabricante de este producto. El empleo de aditamentos o accesorios no recomendados podría causar lesiones serias.

## USOS

Este producto puede emplearse para los fines siguientes:

- Introducción de tornillos largos para entablados
- Introducción de pernos de carruaje en los postes de lasterrazas de madera
- Introducción de tornillos Tapcon® en paredes de bloque y en hormigón
- Introducción de tornillos en miembros estructurales metálicos

Este producto acepta los paquetes de baterías Ryobi One+ de iones de litio de 18 V y los paquetes de baterías Ryobi One+ de níquel-cadmio de 18 V.

Para ver las instrucciones de carga completas, consulte el manual del operador de los paquetes de baterías y cargadores para su modelos.

## CARACTERÍSTICAS DE PROTECCIÓN DE LAS BATERÍAS

Las baterías de iones de litio Ryobi de 18 V están diseñadas con características que protegen las celdas de iones de litio y maximizan la duración de las baterías.

Si la herramienta se detiene durante el uso, suelte el gatillo para reiniciarla y reanude el funcionamiento. Si aun así no funciona, se debe recargar la batería.

## PARA INSTALAR EL PAQUETE DE BATERÍAS:

Vea la figura 2, página 11.

### Para instalar el paquete de baterías:

- Coloque el selector de rotación en la posición central.
- Coloque el paquete de baterías en el producto como se muestra.
- Asegúrese de que los pestillos situados a ambos lados del paquete de baterías entren a presión en su lugar y de que el paquete se coloque correctamente en el producto antes de empezar a utilizarlo.

## **ADVERTENCIA:**

Retire siempre el paquete de baterías de la herramienta antes de instalar las piezas, realizar ajustes, limpiarla o cuando no la utilice. Retirar el paquete de baterías evitará que la unidad se accione accidentalmente y provoque lesiones graves.

### Para extraer el paquete de baterías:

- Oprima los pestillos de cada lado del paquete de baterías.
- Retire el paquete de baterías de la herramienta.

## **ADVERTENCIA:**

Las producto de baterías siempre están en condiciones de funcionamiento. Por lo tanto, el interruptor siempre debe encontrarse asegurado cuando la producto no esté en uso o cuando el operador no la lleve a su lado.

## GATILLO DEL INTERRUPTOR

Vea la figura 3, página 11.

Para **ENCENDER** el destornillador de impacto, oprima el gatillo del interruptor. Para **APAGAR** la unidad, suelte el gatillo del interruptor.

## VELOCIDAD VARIABLE

Vea la figura 3, página 11.

El interruptor del gatillo de velocidad variable aumenta la velocidad cuando se ejerce una mayor presión sobre el gatillo y disminuye la velocidad cuando se ejerce una menor presión.

**NOTA:** Es posible que se escuche un ruido de silbido o de zumbido del interruptor al usarse. No debe ser motivo de preocupación; es parte normal del funcionamiento del interruptor.

## DIRECCIÓN DEL SELECTOR DE ROTACIÓN (MARCHA ADELANTE/ATRÁS/SEGURO EN EL CENTRO)

Vea la figura 3, página 11.

El sentido de rotación de la broca es invertible y se controla con un selector, situado arriba del gatillo del interruptor. Con el destornillador de impacto sostenido en la posición normal de trabajo, el selector de sentido de rotación debe estar a la izquierda del gatillo del interruptor para el enroscado.

# FUNCIONAMIENTO

El sentido de rotación está invertido cuando el selector se encuentra a la derecha del gatillo del interruptor.

## PRECAUCIÓN:

Para no dañar el engranaje, antes de cambiar el sentido de rotación espere a que el acoplador se detenga por completo.

Para detener el destornillador de impacto, suelte el gatillo del interruptor y espere a que pare de girar el acoplador.

## ACOPLADOR INTEGRADO

Vea la figura 4, página 11.

Esta herramienta dispone de un acoplador integrado. El acoplador está diseñado para aceptar puntas hexagonales de 6,35 mm (1/4 pulg).

## INSTALACIÓN DE LAS BROCAS

Vea la figura 4, página 11.

- Asegure el gatillo del interruptor de la herramienta; para ello, coloque el selector de sentido de rotación en la posición central.
- Deslice hacia adelante el acoplador y manténgalo en esa posición.
- Introduzca en línea recta la punta en el acoplador.
- Lentamente deslice hacia atrás el acoplador y suéltelo.

## REMOCIÓN DE LAS BROCAS

Vea la figura 4, página 11.

- Asegure el gatillo del interruptor de la herramienta; para ello, coloque el selector de sentido de rotación en la posición central.
- Deslice hacia adelante el acoplador y manténgalo en esa posición.
- Extraiga del acoplador la punta en línea recta.

## ADVERTENCIA:

Asegúrese de que la punta de destornillador esté asegurada en el acoplador antes de usar el destornillador de impacto. La inobservancia de esta advertencia puede causar lesiones serias.

## ADVERTENCIA:

No introduzca tornillos donde pudiera haber cables ocultos detrás de la superficie. Todo contacto de una herramienta con un cable cargado carga las piezas metálicas expuestas de la herramienta y da una descarga eléctrica al operador. Si debe introducir tornillos donde pudiera haber cables ocultos, siempre sujete la herramienta por las superficies aisladas de sujeción (mango) al efectuar una operación para evitar una descarga eléctrica al operador.

## PRECAUCIÓN:

El destornillador de impacto no está diseñado para utilizarse como taladro.

## ENROSCADO Y DESENROSCADO DE TORNILLOS

Vea las figuras 5 y 6, página 11.

- Coloque el selector de sentido de rotación en la posición adecuada para la operación.
- Sujete el destornillador de impacto firmemente con una mano.
- Coloque la punta de destornillador en la cabeza del tornillo y oprima lentamente el gatillo del interruptor. Empieza a girar lentamente la punta de destornillador para tener mayor control.
- A medida que se enrosca el tornillo, comienza la aplicación de impactos.

# MANTENIMIENTO

## ADVERTENCIA:

Al dar servicio a la unidad, sólo utilice piezas de repuesto idénticas. El empleo de piezas diferentes puede causar un peligro o dañar el producto.

## ADVERTENCIA:

Siempre póngase protección ocular con protección lateral con la marca de cumplimiento de la norma ANSI Z87.1. Si no cumple esta advertencia, los objetos que salen despedidos pueden producirle lesiones serias en los ojos.

## ADVERTENCIA:

Para evitar lesiones corporales serias, siempre retire el paquete de baterías de la herramienta al limpiarla o darle mantenimiento.

## MANTENIMIENTO GENERAL

Evite el empleo de solventes al limpiar piezas de plástico. La mayoría de los plásticos son susceptibles a diferentes tipos de solventes comerciales y pueden resultar dañados. Utilice paños limpios para eliminar la suciedad, el polvo, el aceite, la grasa, etc.

## ADVERTENCIA:

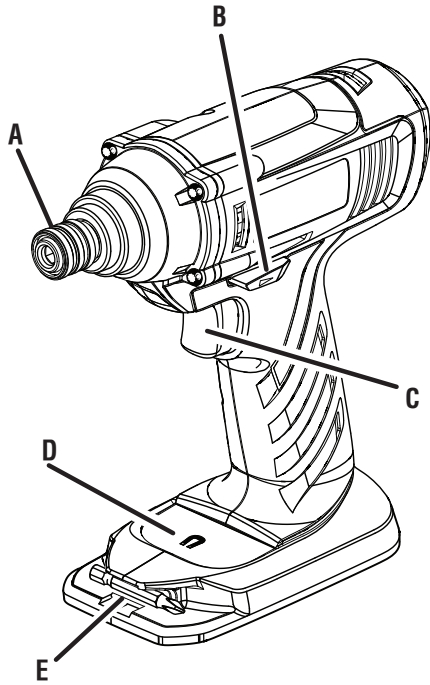
No permita en ningún momento que fluidos para frenos, gasolina, productos a base de petróleo, aceites penetrantes, etc., lleguen a tocar las piezas de plástico. Las sustancias químicas pueden dañar, debilitar o destruir el plástico, lo cual a su vez puede producir lesiones corporales serias.

## REMOCIÓN Y PREPARACIÓN DEL PAQUETE DE BATERÍAS PARA EL RECICLADO

## ADVERTENCIA:

Al retirar el paquete de baterías, cubra las terminales del mismo con cinta adhesiva reforzada. No intente destruir o desarmar el paquete de baterías, ni de desmontar ninguno de sus componentes. Las baterías deben reciclarse o desecharse debidamente. Asimismo, nunca toque ambas terminales con objetos metálicos y partes del cuerpo, ya que puede producirse un corto circuito. Manténgase fuera del alcance de los niños. La inobservancia de estas advertencias puede causar incendios y lesiones corporales serias.

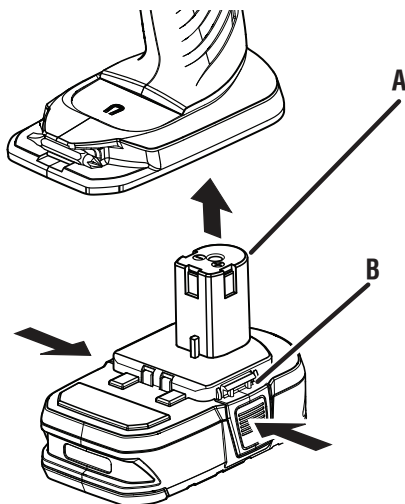
**Fig. 1**



- A - Coupler (coupleur, acoplador)
- B - Direction of rotation selector (sélecteur de sens de rotation, dirección del selector de rotación)
- C - Variable speed switch trigger (gâchette de commande de vitesse variable, gatillo del interruptor de velocidad variable)
- D - MAG TRAY™ (screw holder) [MAG TRAY™ (compartiment à vis), MAG TRAY™ (compartimiento para tornillos)]
- E - Bit storage (rangement d'embouts, lugar de almacenamiento para brocas)

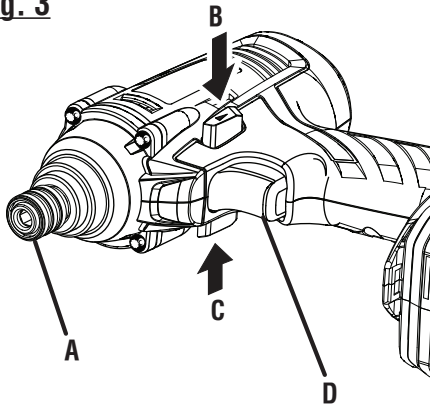
**Fig. 2**

**DEPRESS LATCH TO RELEASE BATTERY PACK**  
**APPUYER SUR LES LOQUETS POUR LIBÉRER**  
**LE BLOC PILES**  
**PARA SOLTAR EL PAQUETE DE BATERÍAS**  
**OPRIMA LOS PESTILLOS**



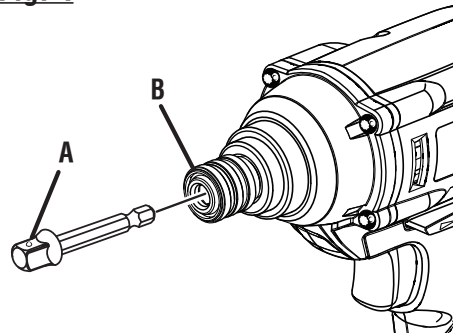
- A - Battery pack (bloc-piles [pas inclus], paquete de baterías [no viene incluido])
- B - Latches (loquets, pestillos)

**Fig. 3**



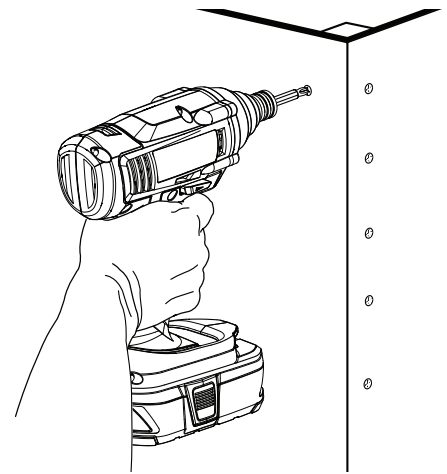
- A - Coupler (coupleur, acoplador)
- B - Reverse (rotation arrière, marcha atrás)
- C - Forward (rotation avant, marcha adelante)
- D - Variable speed switch trigger (gâchette de commande de vitesse variable, gatillo del interruptor de velocidad variable)

**Fig. 4**



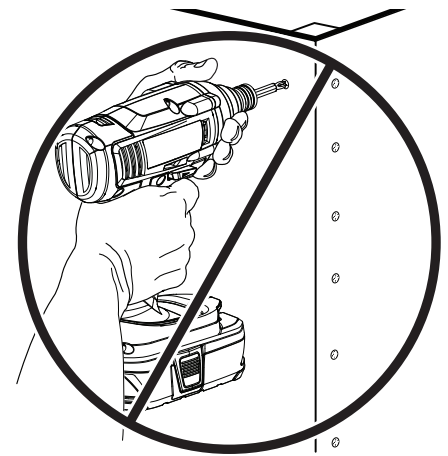
- A - Adaptor bit (embout adaptateur, punta adaptadora)
- B - Coupler (coupleur, acoplador)

**Fig. 5**



**CORRECT OPERATION / UTILISATION**  
**ADÉQUATE / FUNCIONAMIENTO**  
**CORRECTO**

**Fig. 6**



**INCORRECT OPERATION / UTILISATION**  
**INCORRECT / FUNCIONAMIENTO**  
**INCORRECTO**







## OPERATOR'S MANUAL / 18 VOLT IMPACT DRIVER

MANUEL D'UTILISATION / CLÉ À CHOCS 18 V

MANUAL DEL OPERADOR / DESTORNILLADOR DE IMPACTO DE 18 V

- PARTS AND SERVICE**

Prior to requesting service or purchasing replacement parts, please obtain your model and serial number from the product data plate.

- MODEL NUMBER P234G
- SERIAL NUMBER \_\_\_\_\_

- HOW TO OBTAIN REPLACEMENT PARTS:**

Replacement parts can be purchased online at [www.ryobitools.com](http://www.ryobitools.com) or by calling 1-800-525-2579. Replacement parts can also be obtained at one of our Authorized Service Centers.

- HOW TO LOCATE AN AUTHORIZED SERVICE CENTER:**

Authorized Service Centers can be located online at [www.ryobitools.com](http://www.ryobitools.com) or by calling 1-800-525-2579.

- HOW TO OBTAIN CUSTOMER OR TECHNICAL SUPPORT:**

To obtain Customer or Technical Support please contact us at 1-800-525-2579.

RYOBI is a registered trademark of Ryobi Limited and is used pursuant to a license granted by Ryobi Limited.

- PIÈCES ET SERVICE**

Avant de faire la demande de service ou l'achat de pièces de remplacement, veuillez obtenir le numéro de série du modèle à partir de la plaque de données du produit.

- NUMÉRO DE MODÈLE P234G
- NUMÉRO DE SÉRIE \_\_\_\_\_

- COMMENT OBTENIR LES PIÈCES DE REMPLACEMENT :**

Les pièces de remplacement peuvent être achetées en ligne sur le site [www.ryobitools.com](http://www.ryobitools.com) ou par téléphone au 1-800-525-2579. Les pièces de remplacement peuvent être obtenues à un de nos centres de service autorisés.

- COMMENT TROUVER UN CENTRE DE SERVICE AUTORISÉ :**

Les centres de service autorisés peuvent être localisés en ligne au [www.ryobitools.com](http://www.ryobitools.com) ou en téléphonant au 1-800-525-2579.

- COMMENT OBTENIR DE L'AIDE EN CONTACTANT LE SERVICE À LA CLIENTÈLE :**

Pour contacter le service à la clientèle pour une question technique ou pour tout autre renseignement, veuillez nous téléphoner au 1-800-525-2579.

RYOBI est une marque déposée de Ryobi Limited et est utilisée en vertu d'une licence accordée par Ryobi Limited.

- PIEZAS DE REPUESTO Y SERVICIO**

Antes de solicitar servicio técnico o comprar piezas de repuesto, obtenga su modelo y número de serie de la placa de datos del producto.

- NÚMERO DE MODELO P234G
- NÚMERO DE SERIE \_\_\_\_\_

- CÓMO OBTENER PIEZAS DE REPUESTO:**

Las piezas de repuesto se pueden comprar en nuestro sitio en la red mundial, en la dirección [www.ryobitools.com](http://www.ryobitools.com) o llamando al 1-800-525-2579. Las piezas de repuesto también se pueden obtener en uno de nuestros Centros de Servicio Autorizados.

- CÓMO LOCALIZAR UN CENTRO DE SERVICIO AUTORIZADO:**

Puede encontrar los Centros de Servicio Autorizados visitando nuestro sitio en la red mundial, en la dirección [www.ryobitools.com](http://www.ryobitools.com) o llamando al 1-800-525-2579.

- CÓMO OBTENER SERVICIO O ASISTENCIA TÉCNICA AL CONSUMIDOR:**

Para obtener Servicio o Asistencia Técnica al Consumidor, sírvase comunicarse con nosotros llamando al 1-800-525-2579.

RYOBI es una marca registrada de Ryobi Limited y se utiliza conforme a una licencia otorgada por Ryobi Limited.

### ONE WORLD TECHNOLOGIES, INC.

1428 Pearman Dairy Road, Anderson, SC 29625

A subsidiary of Techtronic Industries Co., LTD • OTC: TTNDY

Phone 1-800-525-2579 • États-Unis, Téléphone 1-800-525-2579 • USA, Teléfono 1-800-525-2579

[www.ryobitools.com](http://www.ryobitools.com)

988000-652

6-22-11 (REV:02)