

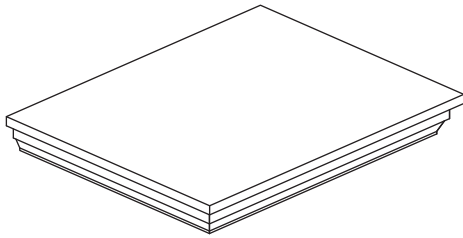


Assembly Instructions

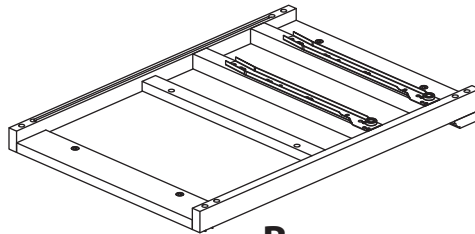
Item# 615-7X

Lincoln Nightstand with Concealed Compartment

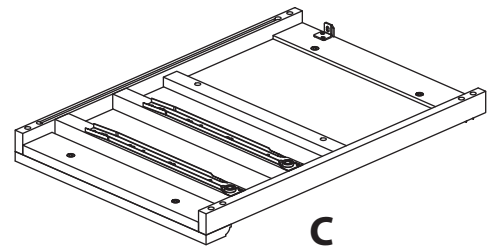
Part List



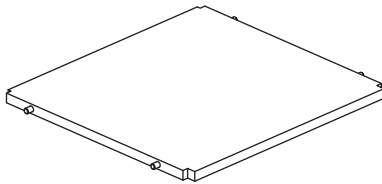
A
Top Table
1 pc.



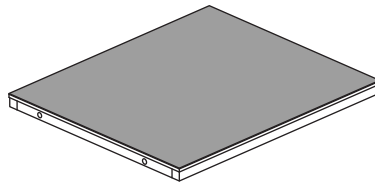
B
Left Panel
1 pc.



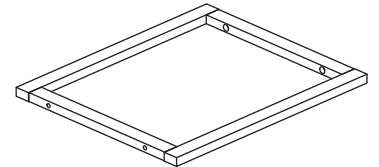
C
Right Panel
1 pc.



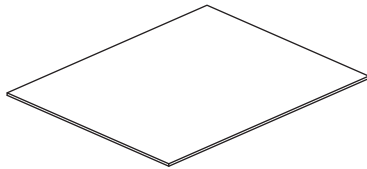
D
Shelf
1 pc.



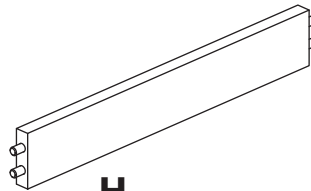
E
Top Shelf
1 pc.



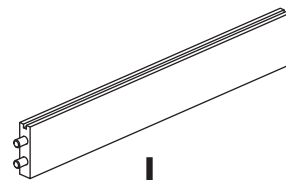
F
Bottom Frame
1 pc.



G
Back Panel
1 pc.



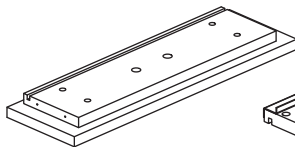
H
Front Crossbar
1 pc.



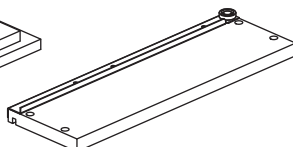
I
Back Crossbar
2 pcs.



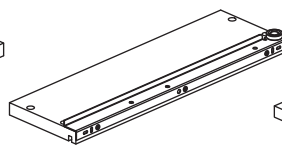
J
Bottom End
1 pc.



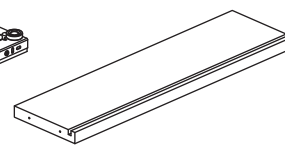
K
Drawer Front
2 pcs.



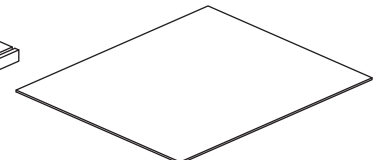
L
Drawer Left
2 pcs.



M
Drawer Right
2 pcs.

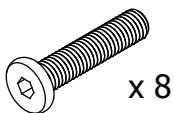


N
Drawer Back
2 pcs.

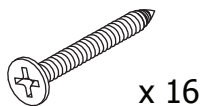


O
Drawer Plate
2 pcs.

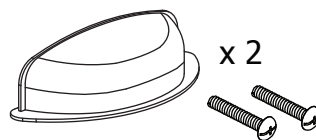
Hardware



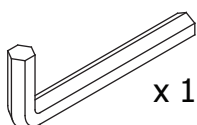
RF10052
Large Screw



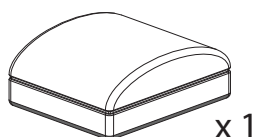
RF10019
Small Screw



RF40140
Metal Handle



RF40015
Allen Key

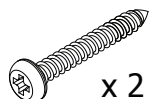


Magnet

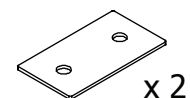
Anti-Tipping



RF10080
Screw P6 x 5/8"

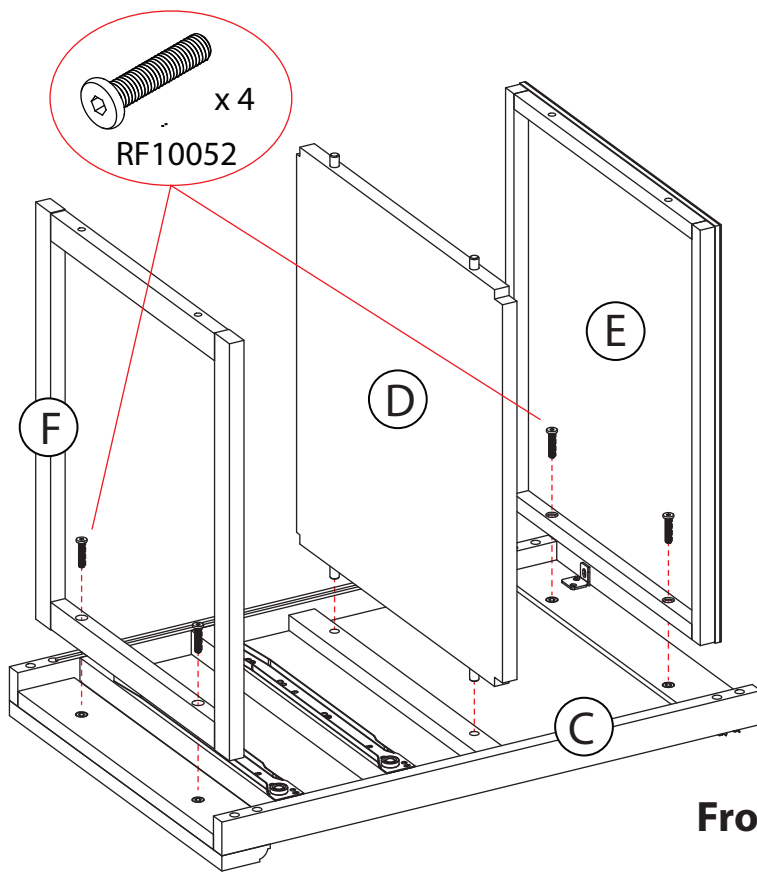


RF10103
Screw P6 x 1 1/4"



RF40214
Metal Plate

Back

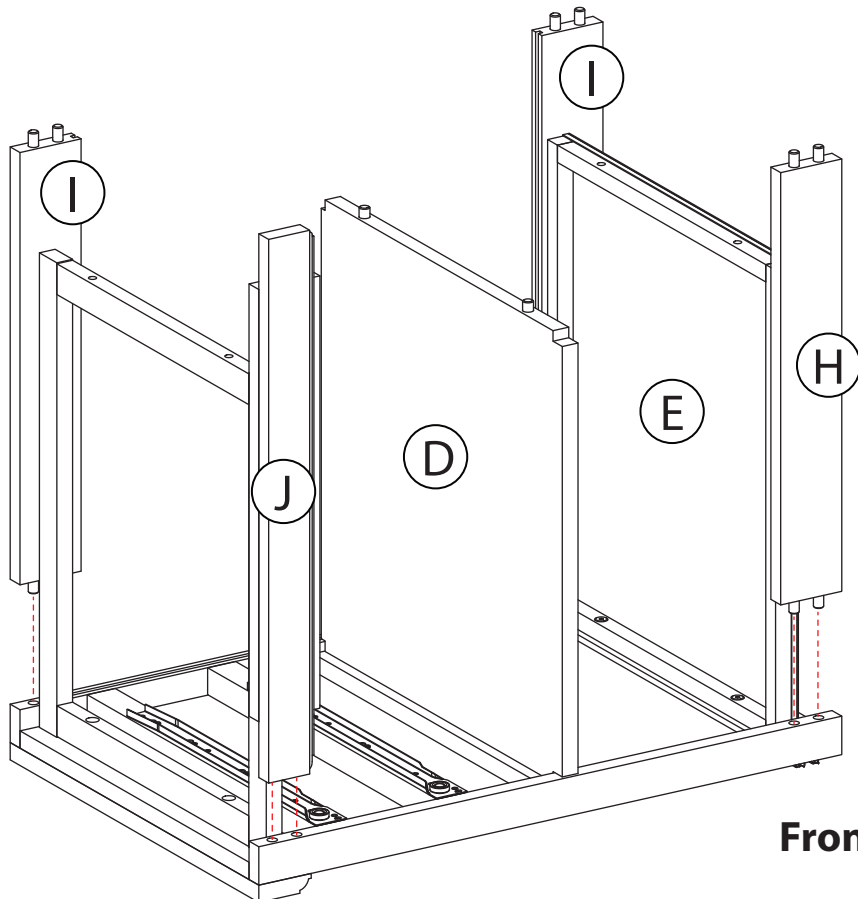


Front

Step 1:

Place the Right Panel (C) onto a soft surface. Attach Shelf (D), Top Shelf (E) and Bottom Frame (F) into Right Panel (C) by using Large screws (RF10052) as per diagram 1.

Back

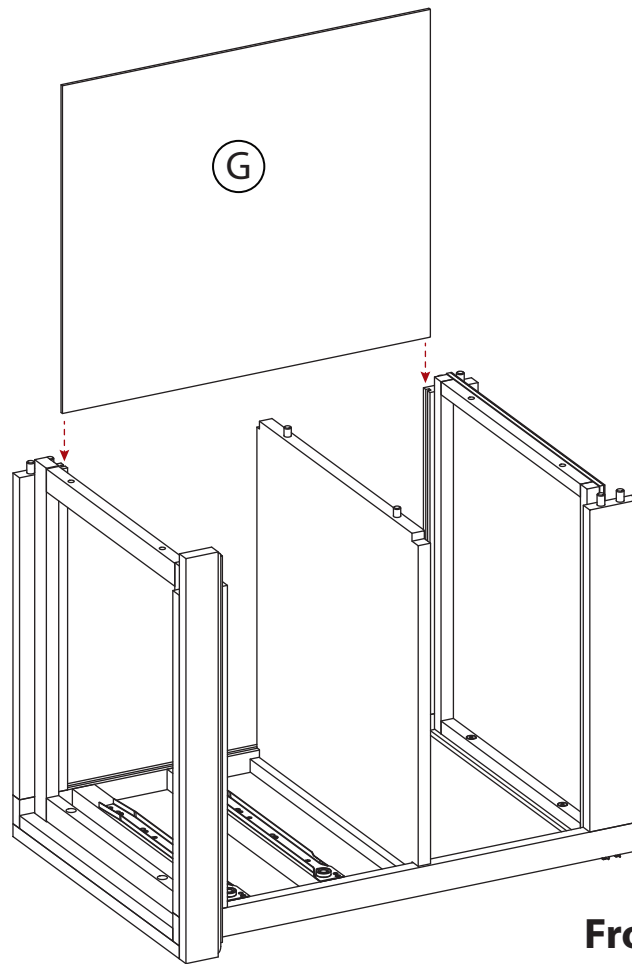


Front

Step 2:

Put the Back Crossbars (I), Front Crossbar (H) and Bottom End (J) into the unit as per diagram 2.

Back



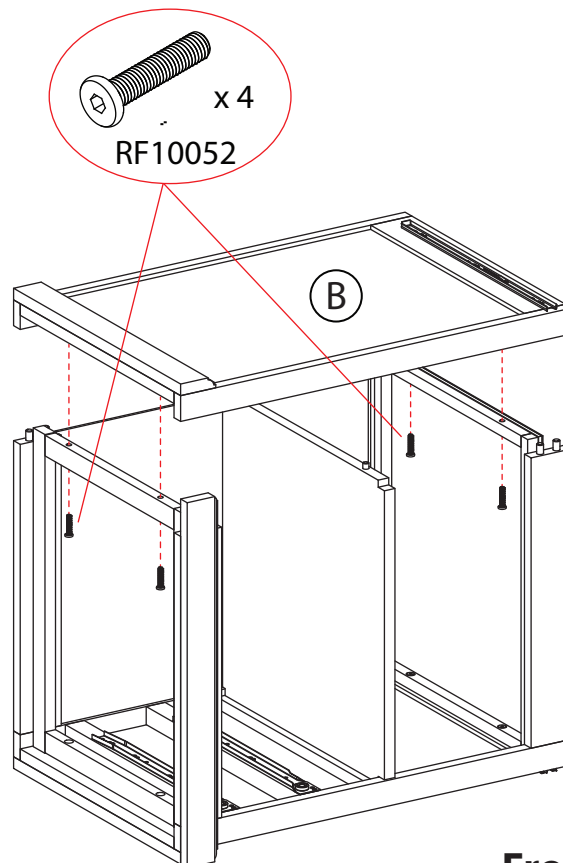
Front

Diagram 3.

Step 3:

Insert the Back Panel (G) into grooves as per diagram 3.

Back

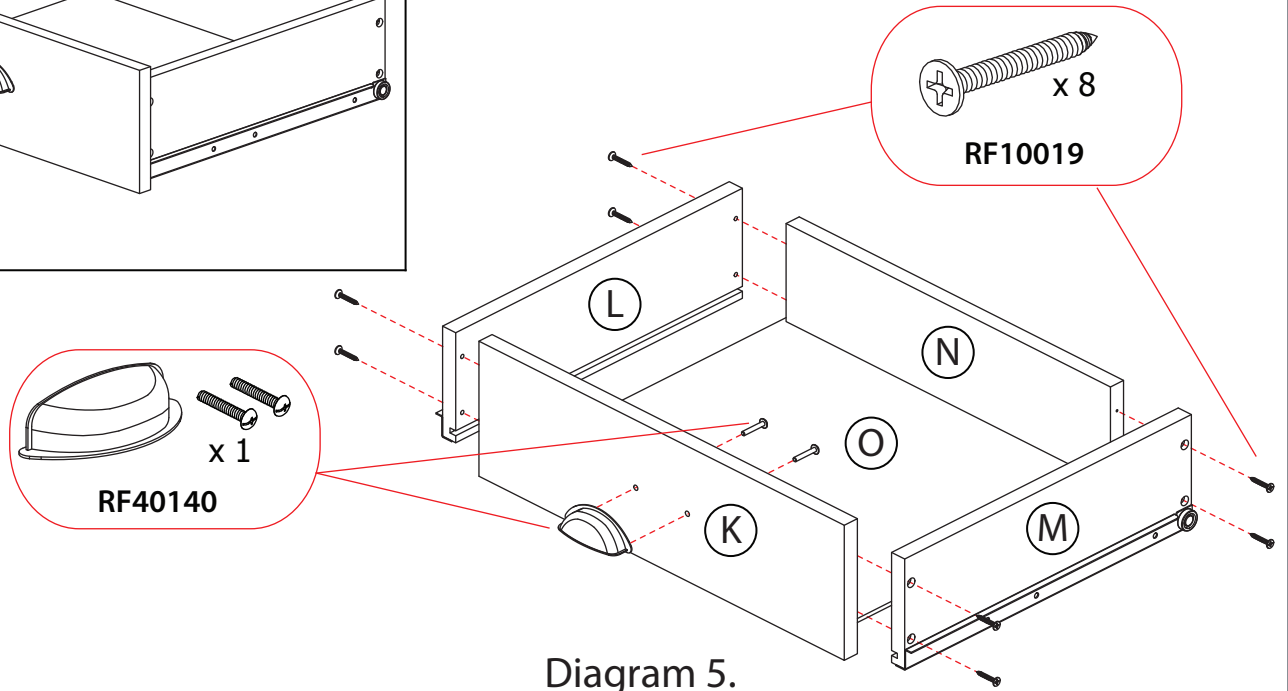
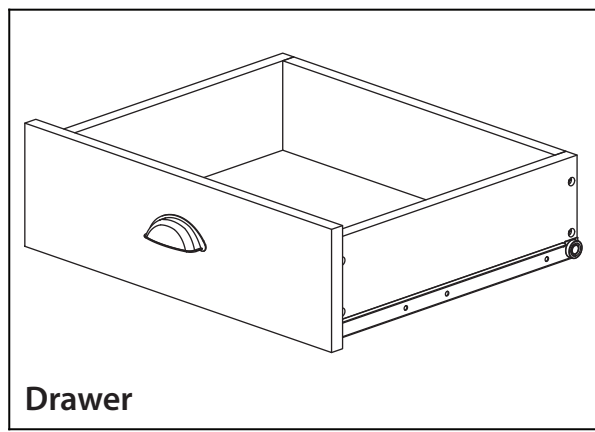


Front

Diagram 4.

Step 4:

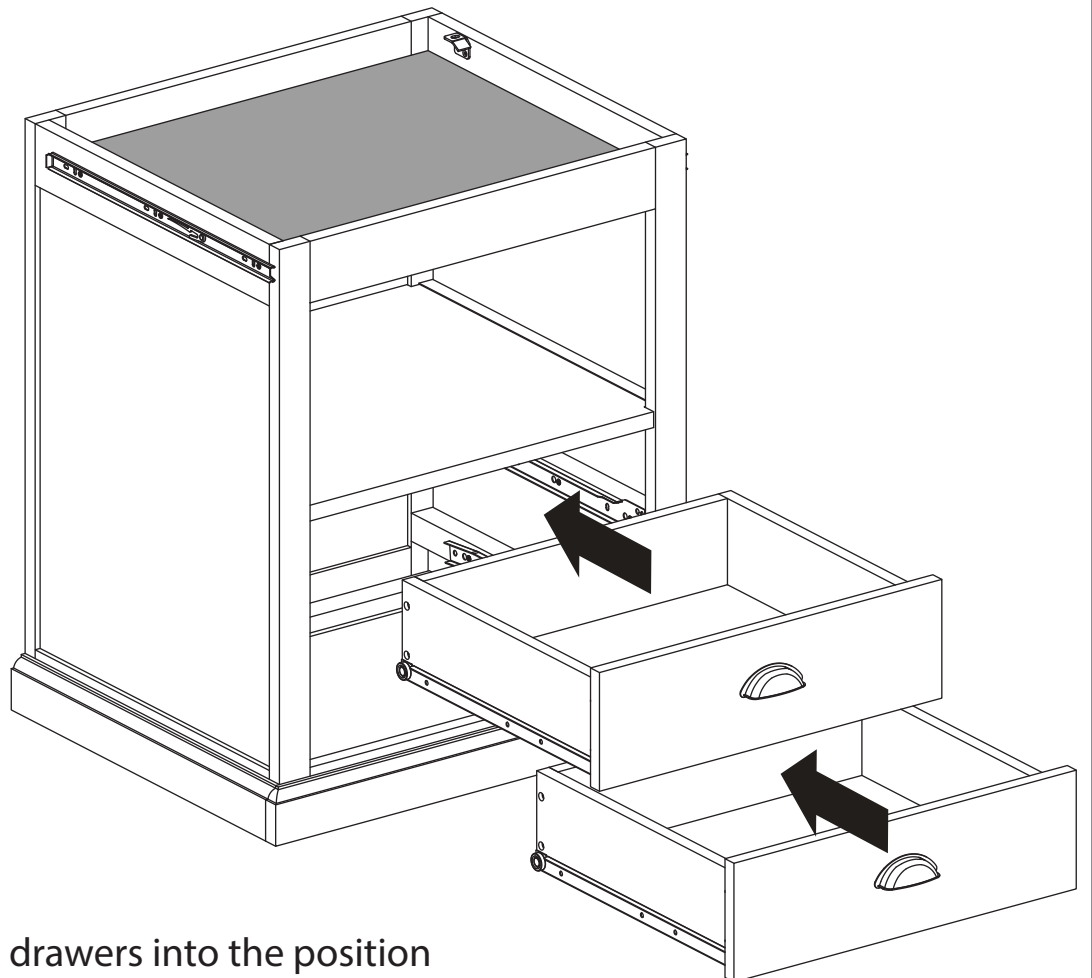
Attach Left Panel (B) into the unit by using screws (RF10052) as per diagram 4.



Step 5: Assemble the Drawers.

Attach the Front (K), Left (L), Right (M), Back (N) and plate (O) together by using screws (RF10019). Then, attach Handle (RF40140) into the Front (K) of drawer as per diagram 5.

Diagram 6.



Step 6:
Place the drawers into the position as per diagram 6.

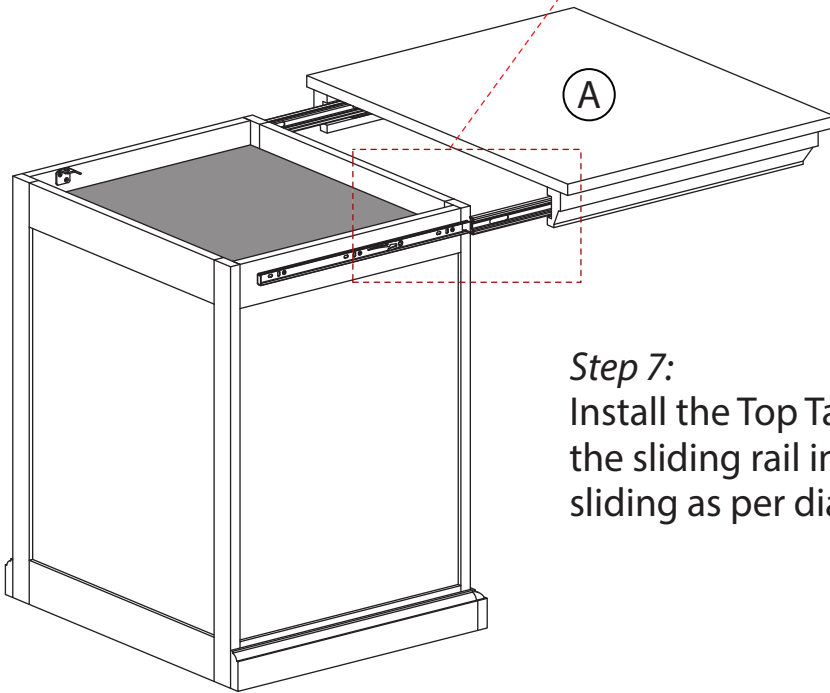
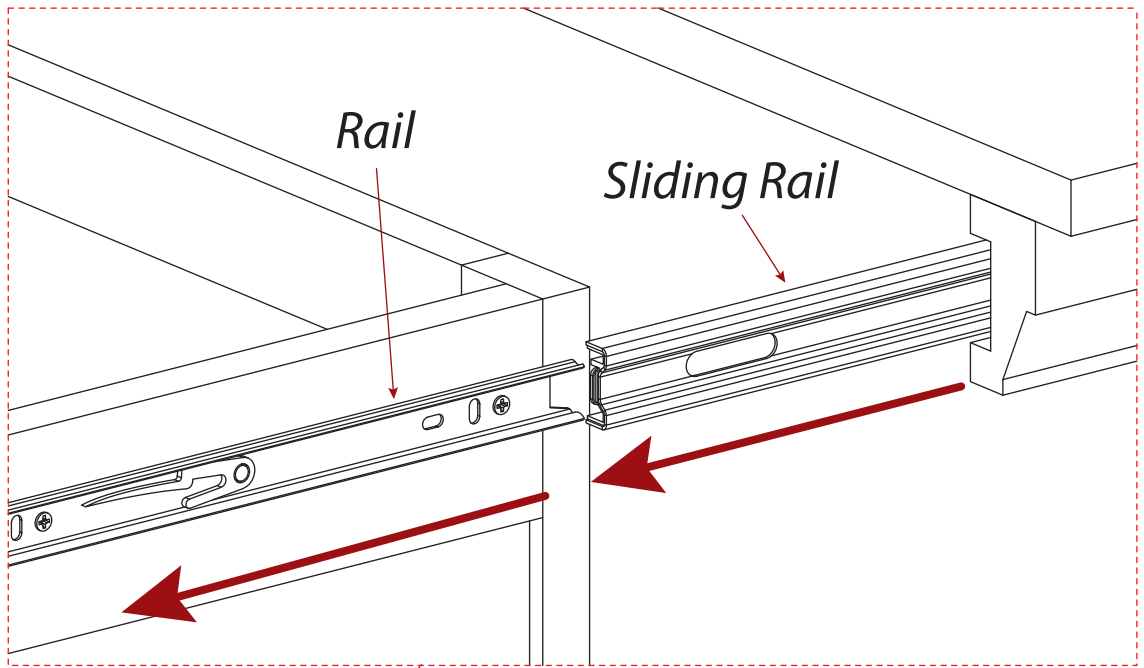


Diagram 7.

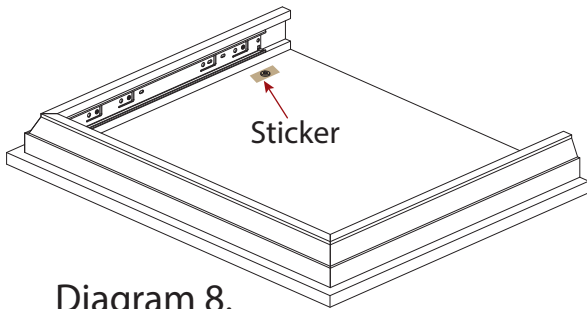
Step 7:
Install the Top Table (A) into the unit. Alignment the sliding rail into the same straight line of the rail, sliding as per diagram 7.



The Unit Completed

WARNING. The hidden compartment is NOT a security safe. The inner contents in the hidden compartment are the sole responsibility of the user and are to be stored at the user's discretion. Regardless of loss, seizure, damage, or changes in condition to the inner contents of the hidden compartment, the manufacturer is not liable for the contents stored in the hidden compartment.

How to use the concealed compartment




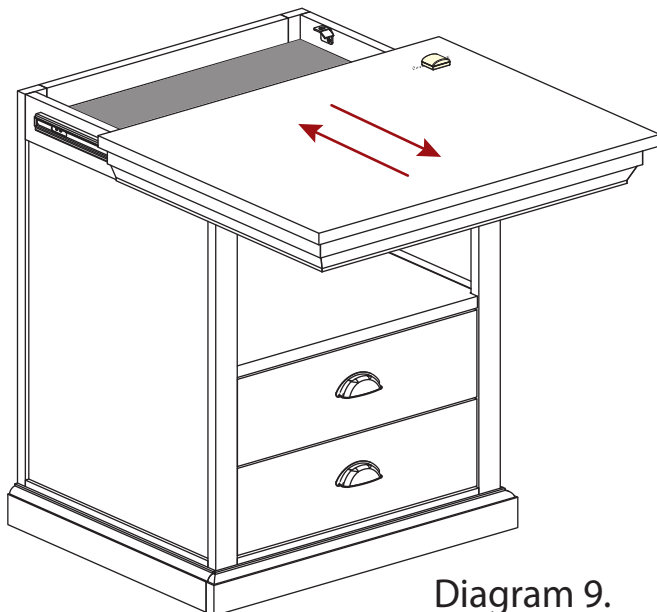
The hidden compartment is built in, shipped with the locking bolt (if installed), and is disengaged and unlocked. In order to engage the hidden compartment lock, please remove the sticker which blocks the bolt (see the diagram 8).

Casual HOME



This logo identifies the designated position.

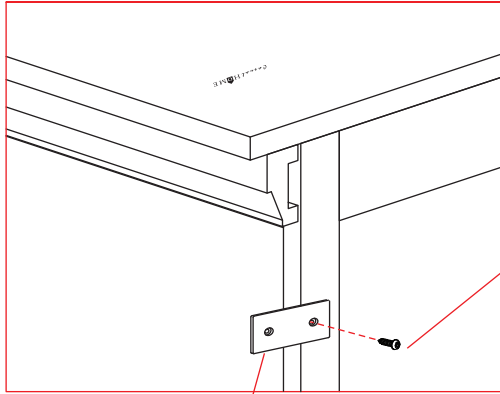
Place the magnetic key on top of the  mark to unlock the concealed drawer.



Unlock and Open: place the magnetic key onto the assigned position shown above to unlock and pull out the drawer as per diagram 9.

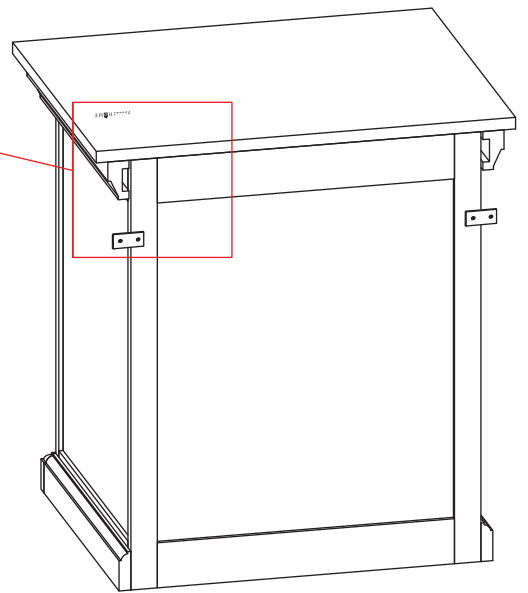
Close and Lock: close the drawer and remove the magnetic key from the assigned position to lock the drawer as per diagram 10.

Anti-Tipping



RF10080
Screw P6 x 5/8"

RF40214
Metal Plate



Use metal plate (RF40214) and screws P6 x 5/8" (RF10080) to attach two side panels through the studs into the wall, using screws P6 x 1 1/4" (RF10103) as per diagram 11.

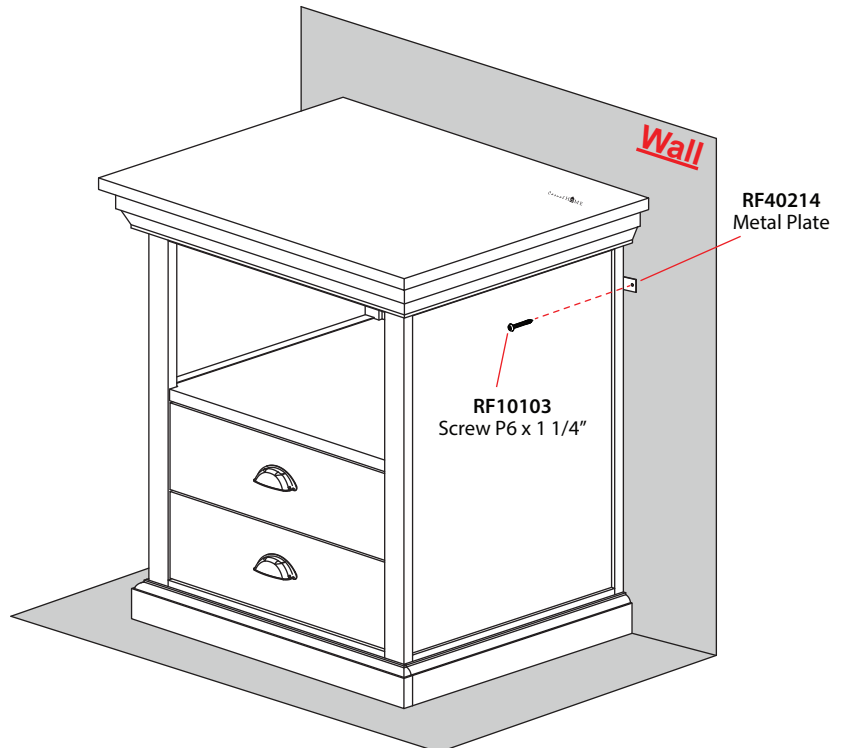


Diagram 11.