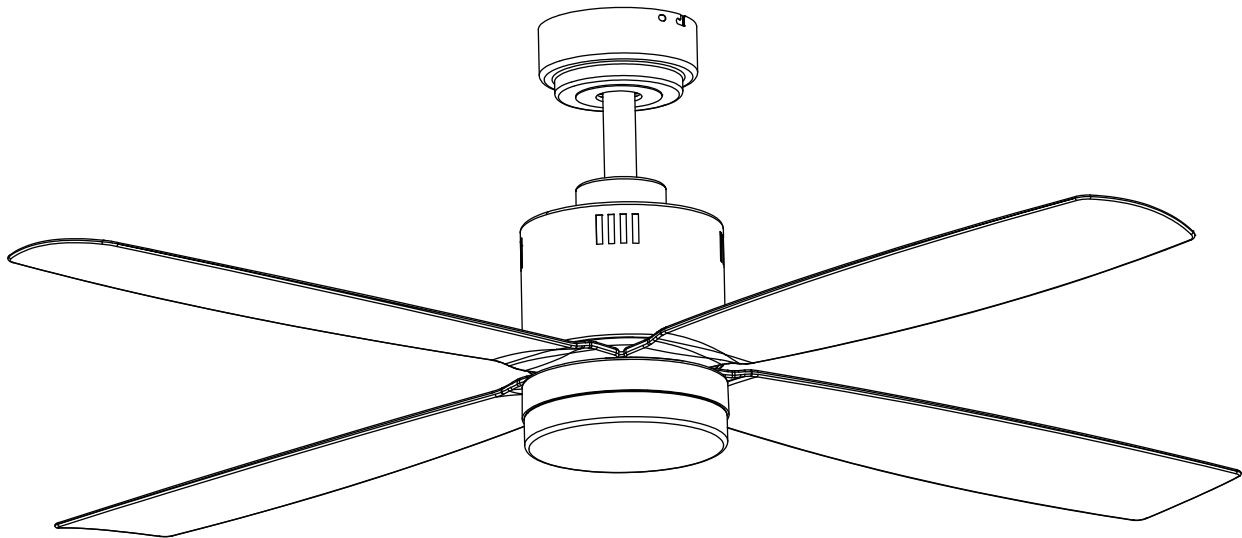


**HOME
DECORATORS
COLLECTION**

Item #/ Model #: 35442-HBUM (1004292173)
Item #/ Model #: 35442-HBUW (1004292141)
Item #/ Model #: 35442-HBUG (1004292145)
Item #/ Model #: 35442-HBUB (1004292144)

USE AND CARE GUIDE

KITTERIDGE 52-INCH INDOOR LED CEILING FAN



Questions, problems, missing parts? Before returning to the store,
call Home Decorators Collection Customer Service
8 a.m. - 7 p.m., EST, Monday-Friday, 9 a.m. - 6 p.m., EST, Saturday

1-800-986 3460

HOMEDEPOT.COM/HOMEDECORATORS

THANK YOU

We appreciate the trust and confidence you have placed in Home Decorators Collection through the purchase of this ceiling fan. We strive to continually create quality products designed to enhance your home. Visit us online to see our full line of products available for your home improvement needs. Thank you for choosing Home Decorators Collection!

Table of Contents

Table of Contents	2	Assembly	7
Safety Information	2	Operation	15
Warranty	3	Care and Cleaning	15
Pre-Installation	3	Troubleshooting	16
Installation.....	6	FCC Statement	17

Safety Information

READ AND SAVE THESE INSTRUCTIONS.

1. To reduce the risk of electric shock, ensure the electricity has been turned off at the circuit breaker or fuse box before you begin.
2. All wiring must be in accordance with the National Electrical Code ANSI/NFPA 70 and local electrical codes. Electrical installation should be performed by a qualified licensed electrician.
3. The outlet box and support structure must be securely mounted and capable of reliably supporting 35 lbs. (15.9 kg). Use only UL Listed outlet boxes marked “Acceptable for Fan Support of 35 lbs. (15.9 kg) or less.”
4. Do not operate the reversing switch while the fan blades are in motion. You must turn the fan off and stop the blades before you reverse the blade direction.
5. Do not place objects in the path of the blades.
6. Electrical diagrams are for reference only. Light kits that are not packed with the fan must be UL-listed and marked suitable for use with the model fan you are installing. Switches must be UL General Use Switches. Refer to the instructions packaged with the light kits and switches for proper assembly.
7. After making electrical connections, spliced conductors should be turned upward and pushed carefully up into the outlet box. The wires should be spread apart with the grounded conductor and the equipment-grounding conductor on one side of the outlet box and ungrounded conductor on the other side of the outlet box.
8. All setscrews must be checked and retightened where necessary before installation.



WARNING: To reduce the risk of personal injury, do not bend the blade brackets when installing the brackets balancing the blades, or cleaning the fan. Do not insert foreign objects in between rotating fan blades.



WARNING: To reduce the risk of fire, electric shock or personal injury, mount to outlet box marked “acceptable for fan support of 35 lbs. (15.9kg) or less” and use screws provided with the outlet box.



WARNING: To avoid possible electrical shock, turn the electricity off at the main fuse box before wiring. If you feel you do not have enough electrical wiring knowledge or experience, contact a licensed electrician.



WARNING: To reduce the risk of fire or electric shock, do not use this fan with any solid-state speed control device.



WARNING: Electrical diagrams are for reference only. Optional use of any light kit shall be UL-listed and marked suitable for use with this fan.



CAUTION: To reduce the risk of personal injury, use only the screws provided with the outlet box.



CAUTION: To avoid personal injury or damage to the fan and other items, use caution when working around or cleaning the fan.



CAUTION: The fan must be mounted with a minimum of 7 ft (2.1 m) clearance from the trailing edge of the blades to the floor.



CAUTION: Changes or modifications not expressly approved by the party responsible for compliance could void the user’s authority to operate the equipment.

Warranty

We warrant the fan motor to be free from defects in workmanship and material present at time of shipment from the factory for a period of lifetime after the date of purchase by the original purchaser. We also warrant that all other fan parts, excluding any glass or acrylic blades, to be free from defects in workmanship and material at the time of shipment from the factory for a period of one year after the date of purchase by the original purchaser. We agree to correct such defects without charge or at our option replace with a comparable or superior model if the product is returned. To obtain warranty service, you must present a copy of the receipt as proof of purchase. All costs of removing and reinstalling the product are your responsibility. Damage to any part such as by accident, misuse, improper installation or by affixing any accessories, is not covered by this warranty. Because of varying climatic conditions this warranty does not cover any changes in brass finish, including rusting, pitting, corroding, tarnishing or peeling. Brass finishes of this type give their longest useful life when protected from varying weather conditions. A certain amount of "wobble" is normal and should not be considered a defect. Servicing performed by unauthorized persons shall render the warranty invalid. There is no other express warranty. We hereby disclaim any and all warranties, including but not limited to those of merchantability and fitness for a particular purpose to the extent permitted by law. The duration of any implied warranty which cannot be disclaimed is limited to the time period as specified in the express warranty. Some states do not allow limitation on how long an implied warranty lasts, so the above limitation may not apply to you. The retailer shall not be liable for incidental, consequential, or special damages arising out of or in connection with product use or performance except as may otherwise be accorded by law. Some states do not allow the exclusion of incidental or consequential damages, so the above exclusion or limitation may not apply to you. This warranty gives specific legal rights, and you may also have other rights which vary from state to state. This warranty supersedes all prior warranties. Shipping costs for any return of product as part of a claim on the warranty must be paid by the customer.

Contact the Customer Service Team at 1-800-986-3460 or visit www.HomeDepot.com/homedecorators.

Pre-Installation

SPECIFICATIONS

Size	Speed	Volts	Airflow CFM	Fan Power Consumption (Without Lights) WATT	Airflow Efficiency (Higher Is Better) CFM/WATT	Net Weight	Gross Weight	Cube Feet
52 in.	Low	120	1821.39	14.19	128.36	14.15 lbs (6.42 kgs)	15.81lbs (7.17kgs)	1.11 cu. ft.
	Medium		3267.42	32.78	99.68			
	High		3842.99	48.53	79.19			

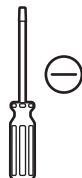


NOTE: These are approximate measures. They do not include the Amps and Wattage used by the light kit.

TOOLS REQUIRED



⊕
Phillips screwdriver



⊖
Flat blade screwdriver



Adjustable wrench



Electrical tape



Wire cutter



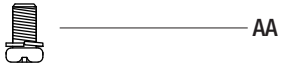
Step ladder

Pre-Installation (continued)

HARDWARE INCLUDED



NOTE: Hardware not shown to actual size.



AA



DD



GG



BB



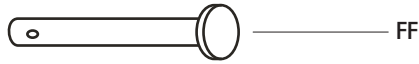
EE



HH



CC

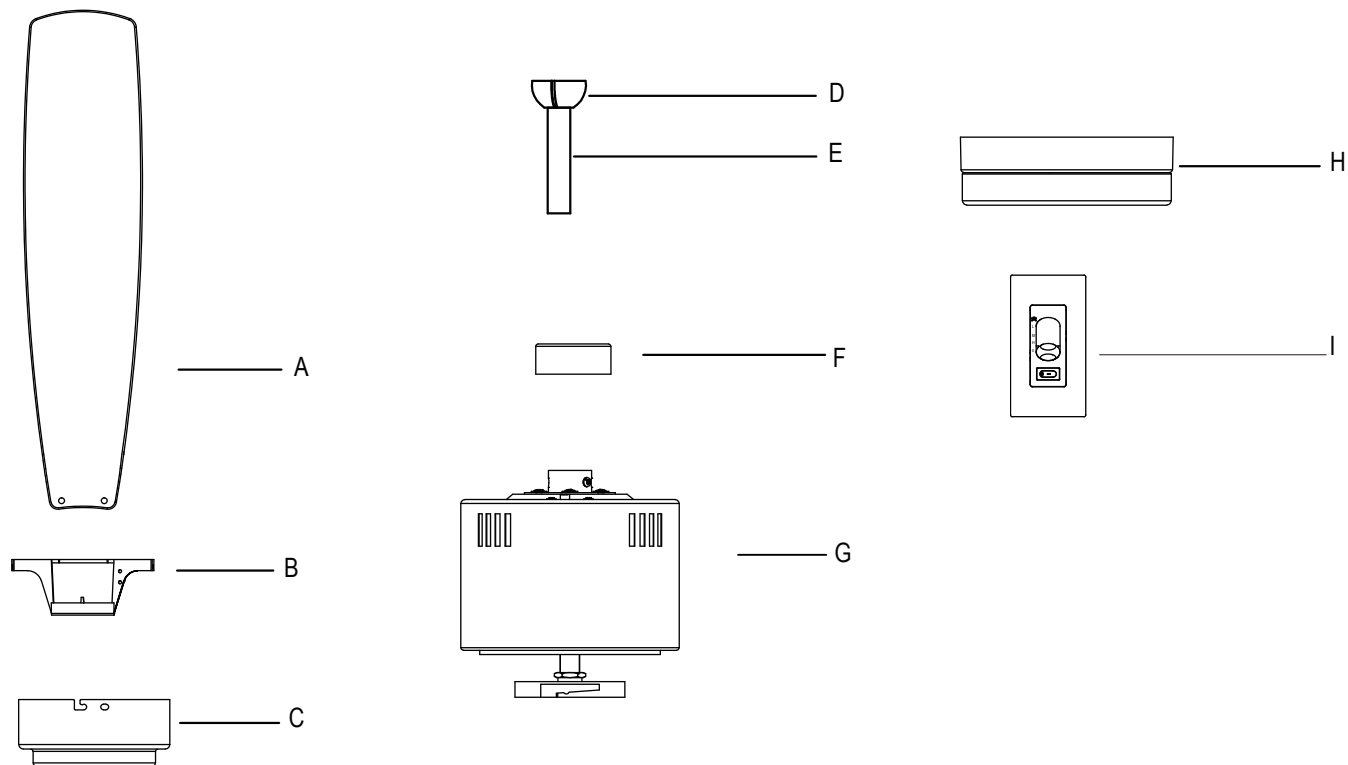


FF

Part	Description	Quantity
AA	Canopy screw (not to scale) (preassembled)	4
BB	Blade screw (not to scale)	8
CC	Fiber washer (not to scale)	8
DD	Wire nuts (not to scale)	7
EE	Hitch pin (not to scale) (preassembled)	1
FF	Lock pin (not to scale) (preassembled)	1
GG	Set screw (not to scale) (preassembled)	2
HH	Wall control mounting screw (not to scale)	2

Pre-Installation (continued)

PACKAGE CONTENTS



Part	Description	Quantity
A	Blade	4
B	Mounting bracket	1
C	Canopy	1
D	Hanger ball (preassembled)	1
E	Downrod (preassembled)	1

Part	Description	Quantity
F	Coupling cover	1
G	Fan motor assembly	1
H	Lamp	1
I	Wall control	1

Installation

MOUNTING OPTIONS

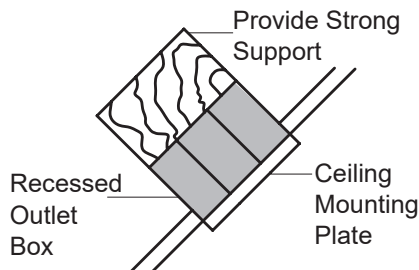
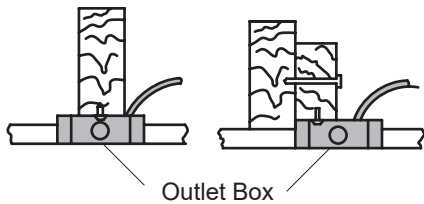
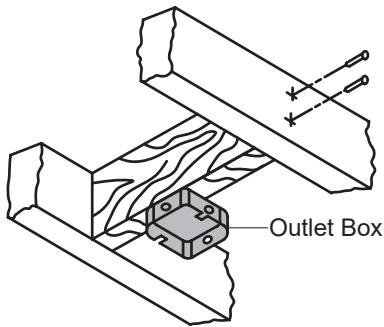


WARNING: To reduce the risk of fire, electric shock, or personal injury, mount to outlet box marked “acceptable for fan support of 35 lbs. (15.9 Kg) or less” using the screws provided with the outlet box. An outlet box commonly used for the support of lighting fixtures may not be acceptable for fan support and may need to be replaced. If in doubt, consult a qualified electrician.

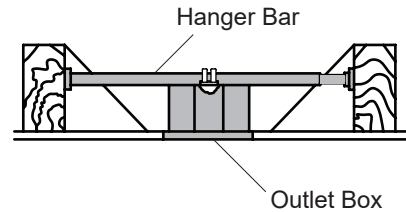
If your ceiling fan does not have an existing UL-listed mounting box, then install one using the following instructions:

- Disconnect the power by removing the fuses or turning off the circuit breakers.
- Secure the outlet box directly to the building structure. Use the appropriate fasteners and materials. The outlet box and its bracing must be able to fully support the weight of the moving fan (at least 35 lbs.). Do not use a plastic outlet box.

The illustrations below show three different ways to mount the outlet box.



NOTE: You may need a longer downrod to maintain proper blade clearance when installing on a steep, sloped ceiling. The maximum angle allowable is 23° away from horizontal.



If the canopy touches the downrod, then remove the decorative canopy bottom cover, and turn the canopy 180° before attaching the canopy to the mounting plate.

To hang your fan where there is an existing fixture but no ceiling joist you may need an installation hanger bar as shown above.

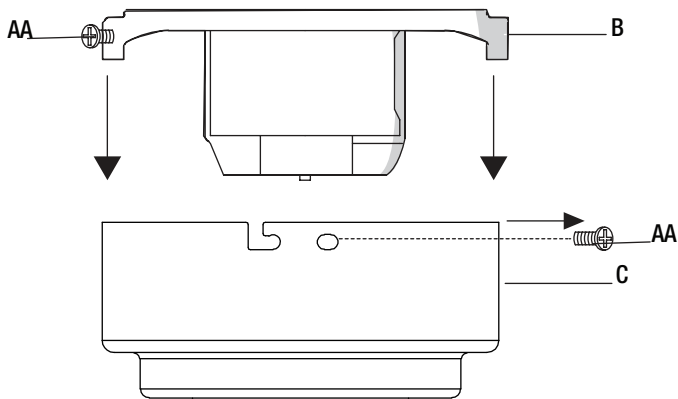
Assembly - Standard Ceiling Mount

1 Preparing for mounting



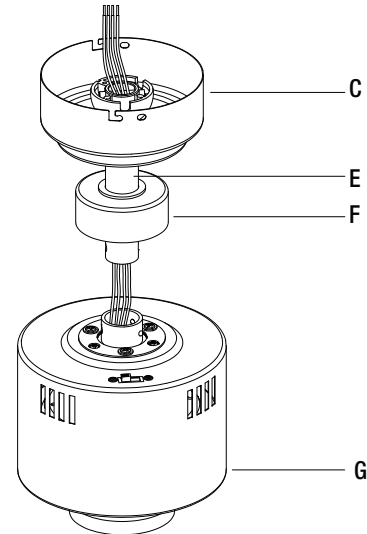
WARNING: Make sure power is off before attempting installation.

- Loosen the two canopy screws (AA) located in the “L shaped” slots.
- Remove and save the two canopy screws (AA) in the round holes.



2 Routing the wires

- Route the wires exiting the top of the fan motor assembly (G) into the coupling cover (F).
- Make sure the slot openings are on top and route the wires through the canopy (C) and then through the downrod (E) assembly.

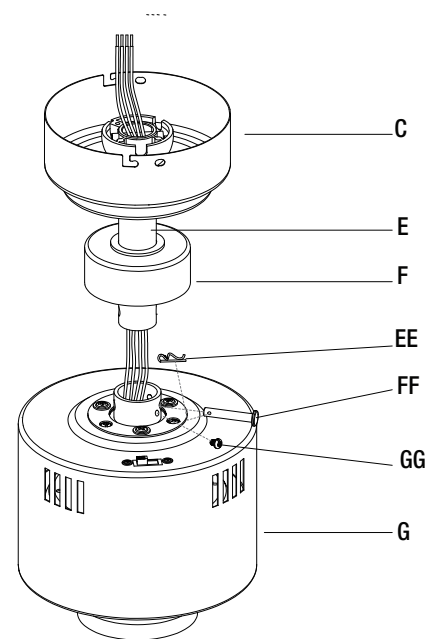


3 Assembling the fan



CAUTION: To ensure wobble-free operation and to avoid damage to the fan, the downrod (E) and the set screw (GG) must be completely tightened.

- Loosen the set screws (GG) in the downrod coupler until the inside of the channel is clear of the screw tip.
- Remove and save the lock pin (FF) on the end of the downrod (E).
- Slide the ceiling canopy (C) onto the downrod (E) followed by the coupling cover (F).
- Attach the downrod (E) into the coupler until the lock pin (FF) can be inserted through the hole in both the rod and coupler.
- Insert the lock pin (FF) through the hole in the coupler and downrod (E) then attach the hitch pin (EE) on the other side.
- Tighten both set screws on the coupler.



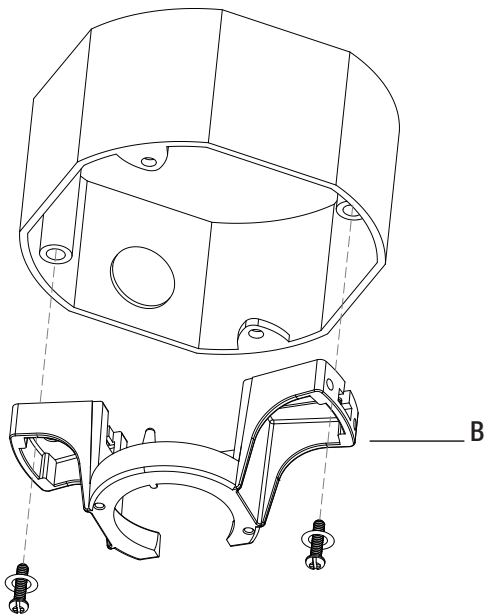
Assembly - Standard Ceiling Mount (continued)

4 Attaching the fan to the electrical box



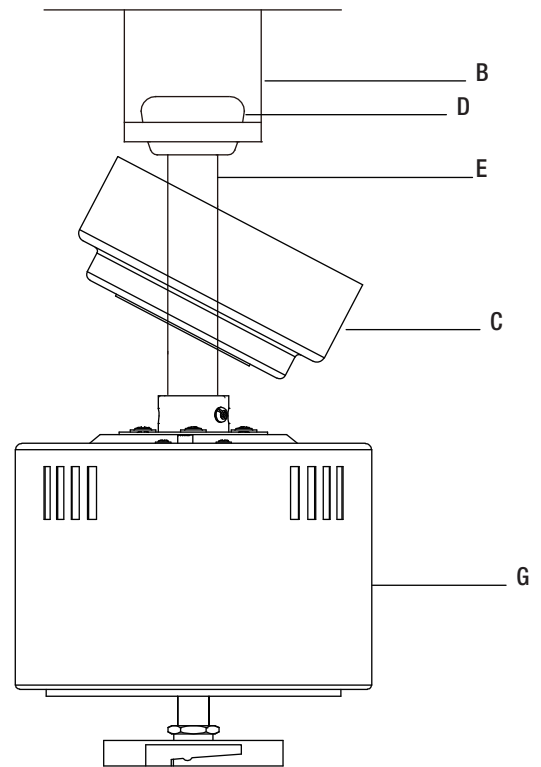
WARNING: To reduce the risk of fire, electric shock or personal injury, mount to outlet box marked “acceptable for fan support of 35 lbs. (15.9Kg) or less” and use screws provided with the outlet box.

- Pass the 120-Volt supply wires through the center hole in the mounting bracket (B).
- Install the ceiling mounting bracket (B) on the outlet box using the two mounting screws provided with the outlet box. If necessary use leveling washers (not included) between the mounting bracket (B) and outlet box.
Note that the flat side of the mounting bracket (B) is toward the outlet box. When using flushmount, it is important that the mounting bracket be level.
- Securely tighten the two outlet box screws.



5 Hanging the fan

- Carefully lift the fan motor assembly (G) up to the mounting bracket (B).
- Seat the hanger ball (D) portion of the downrod assembly (E) in the mounting bracket (B) socket. Ensure that the tab on the mounting bracket (B) socket is properly seated in the groove in the hanger ball. If using flushmount, hang the fan on the hook provided by utilizing one of the holes at the outer rim of the ceiling canopy (C).



Assembly - Standard Ceiling Mount (continued)

6 Making the electrical connections



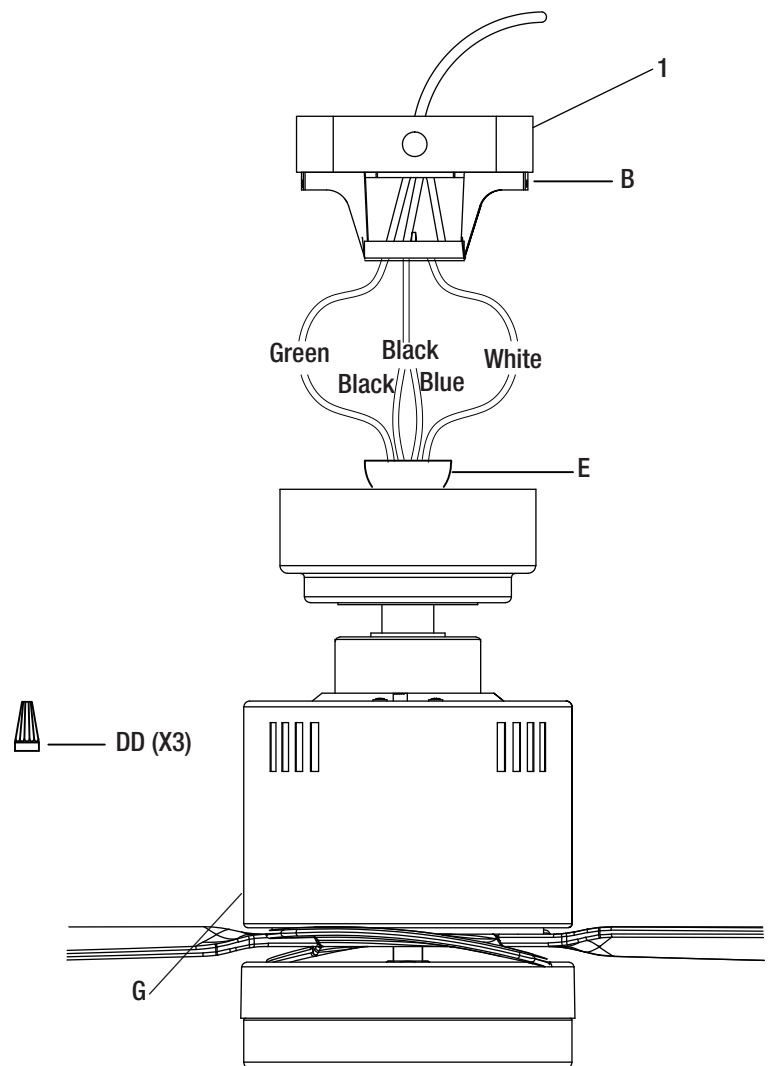
WARNING: To avoid possible electrical shock, ensure the electricity is turned off at the circuit breaker or main fuse box before wiring.



WARNING: Check to see that all connections are tight, including the ground, and that no bare wire is visible at the wire nuts, except for the ground wire.

Follow the steps below to connect the fan to your house supply wires. Secure the wire nuts (DD) supplied with your fan by wrapping the connections with electrical tape.

- Connect the Black (live) wire from the ceiling to the Black wire and Blue wire from the fan motor assembly (G).
- Connect the White (neutral) wire from the ceiling to the White wire from the fan motor assembly (G).
- Connect the ground conductor of the 120-VOLT supply (this may be a bare wire or a wire with green colored insulation) to the green ground lead(s) of the fan. There are two green grounding leads: one from the mounting bracket (B) and one from the hanger ball/downrod (E) assembly.
- Secure the wire connections with plastic wire nuts (DD) provided with the electrical hardware.
- After connecting the wires, spread them apart so that the green and white wires are on one side of the outlet box (1) and the black and blue wires are on the other side. Carefully tuck the wire connections up into the outlet box (1).



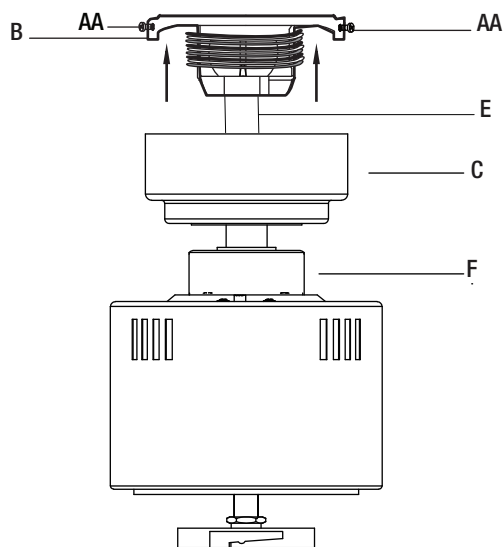
Assembly - Standard Ceiling Mount (continued)

7 Mounting the fan



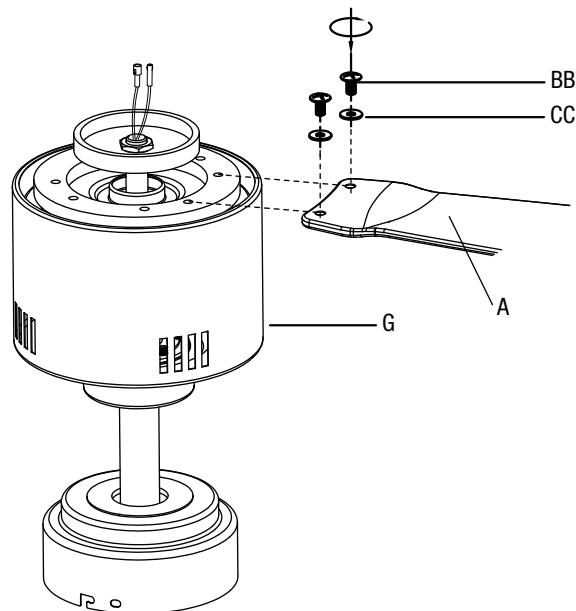
WARNING: When using the standard ball/downrod mounting, the tab in the ring at the bottom of the mounting bracket must rest in the groove of the hanger ball. Failure to properly seat the tab in the groove could cause damage to the wiring.

- Align the locking slots of the ceiling canopy (C) with the two canopy screws (AA) in the mounting bracket (B). Push up to engage the slots and turn clockwise to lock in place.
- Firmly tighten the two canopy screws (AA).
- Install the two canopy screws (AA) (saved from Assembly Step 1 “Preparing for mounting”) into the holes in the canopy (C) and tighten firmly.



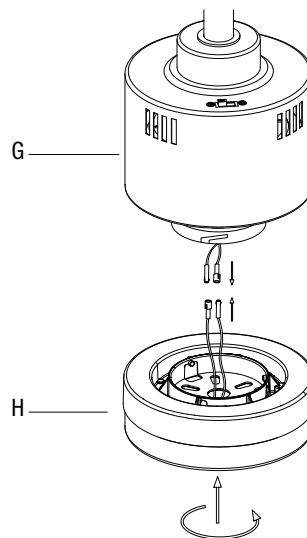
8 Attaching the fan blades

- Attach the fan blades (A) to the fan motor assembly (G) by using the blade screws (BB) and fiber washers (CC). Tighten blade screws (BB) securely.
- Repeat these steps for the remaining blades (A).



9 Installing the lamp

- A wire connector (female) is located inside the electrical switch housing and a male connector extends from the lamp. Push them together.
- A wire connector (male) is located inside the electrical switch housing and a female connector extends from the lamp. Push them together.
- Place the lamp (H) into the electrical switch housing aligning the three flat areas on the lamp (H) with the three raised dimples in the lamp (H). Turn the lamp (H) clockwise until it stops.



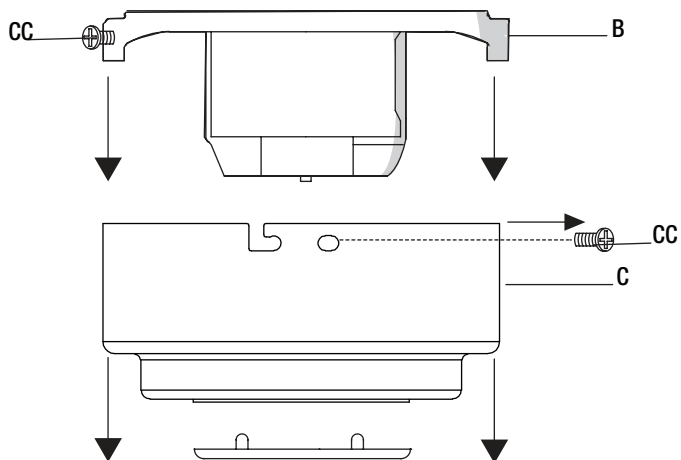
Assembly - Flushmount

1 Preparing for mounting



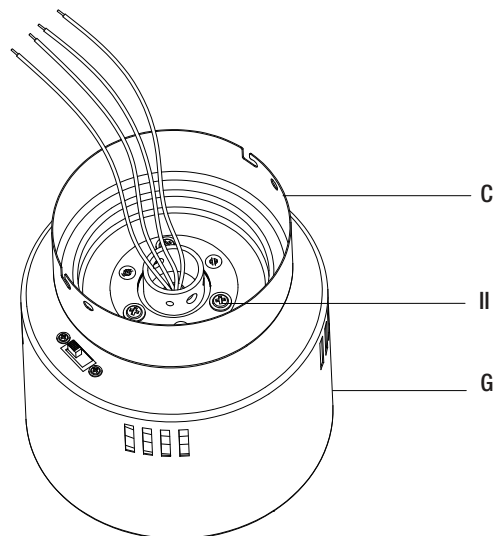
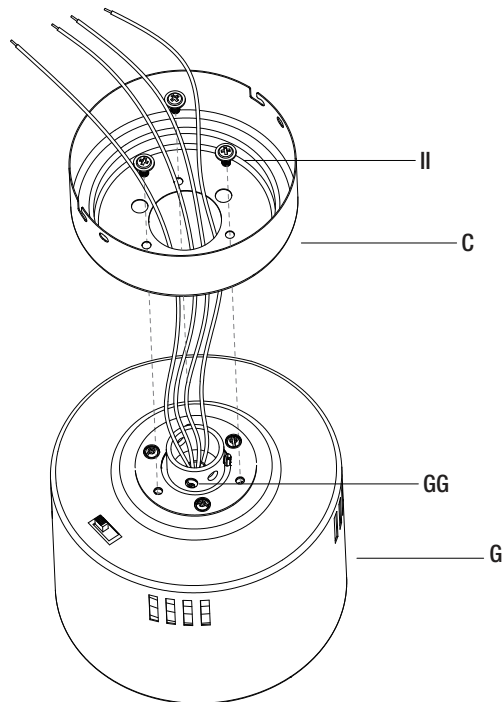
WARNING: Make sure power is off before attempting installation.

- Loosen the two canopy screws (AA) located in the “L shaped” slots.
- Remove and save the two canopy screws (AA) in the round holes.
- Remove the decorative canopy bottom cover from the canopy (C).



2 Routing the wires

- Loosen three mounting screws in the coupler located in the center of the motor housing until the inside channel is clear.
- Remove and save the set screw (GG) from the coupler.
- Place the ceiling canopy (C) on top of the motor housing and secure with the three mounting screws (II).



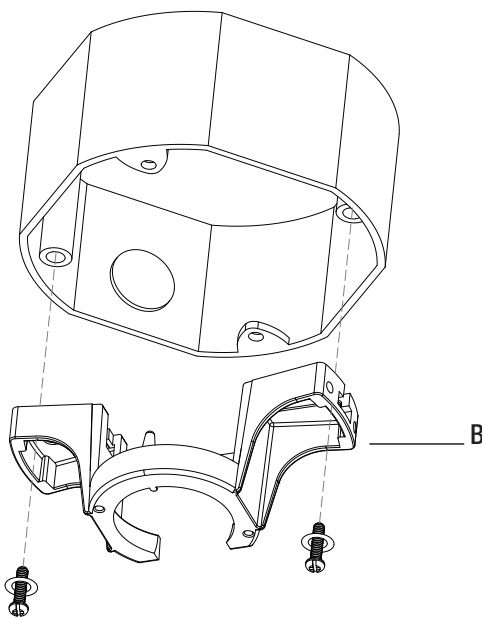
Assembly - Flushmount (continued)

3 Attaching the fan to the electrical box



WARNING: To reduce the risk of fire, electric shock or personal injury, mount to outlet box marked “acceptable for fan support of 35 lbs. (15.9Kg) or less” and use screws provided with the outlet box.

- Pass the 120-Volt supply wires through the center hole in the mounting bracket (B).
- Install the ceiling mounting bracket (B) on the outlet box using the two mounting screws provided with the outlet box. If necessary use leveling washers (not included) between the mounting bracket (B) and outlet box.
Note that the flat side of the mounting bracket (B) is toward the outlet box. It is important that the mounting bracket be level.
- Securely tighten the two outlet box screws.

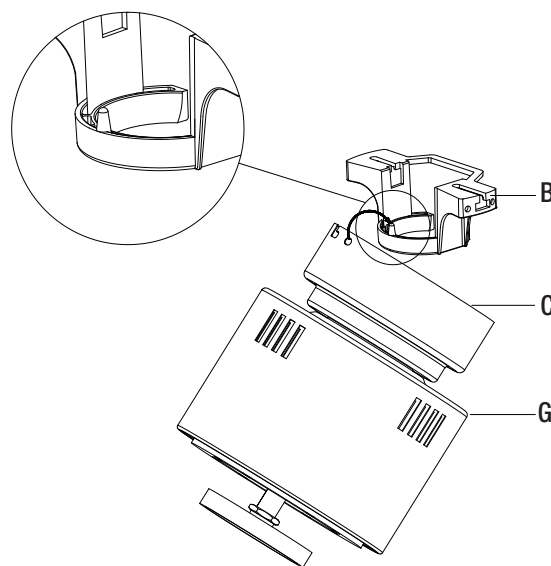


4 Hanging the fan



WARNING: The hook as shown is only to balance the fan while attaching wiring. Failure to hang as shown may result in hook breaking, causing the fan to fall. The hook must pass from inside to the outside of the canopy.

- Carefully lift the fan motor assembly (G) up to the mounting bracket (B).
- If using flushmount, hang the fan on the hook provide by utilizing one of the holes at the outer rim of the ceiling canopy (C).



Assembly - Flushmount (continued)

5 Making the electrical connections



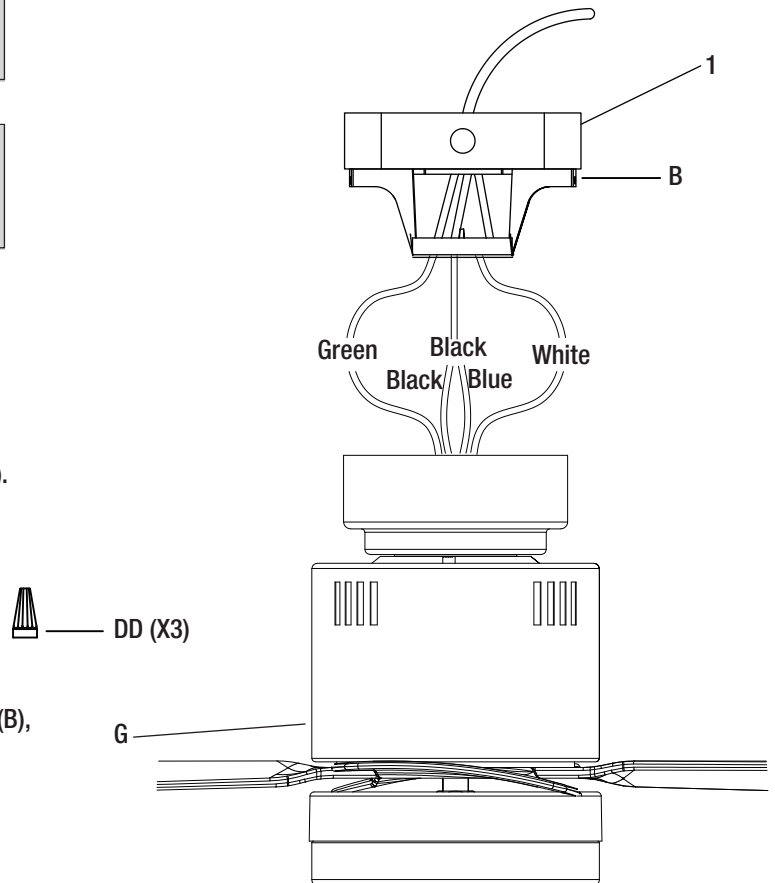
WARNING: To avoid possible electrical shock, ensure the electricity is turned off at the circuit breaker or main fuse box before wiring.



WARNING: Check to see that all connections are tight, including the ground, and that no bare wire is visible at the wire nuts, except for the ground wire.

Follow the steps below to connect the fan to your house supply wires. Secure the wire nuts (DD) supplied with your fan by wrapping the connections with electrical tape.

- Connect the Black (live) wire from the ceiling to the Black wire and Blue wire from the fan motor assembly (G).
- Connect the White (neutral) wire from the ceiling to the White wire from the fan motor assembly (G).
- Connect the ground conductor of the 120-VOLT supply (this may be a bare wire or a wire with green colored insulation) to the green ground lead(s) of the fan. There is only one green ground lead from the mounting bracket (B), since the hanger ball/downrod assembly is not used.
- Secure the wire connections with plastic wire nuts (DD) provided with the electrical hardware.
- After connecting the wires, spread them apart so that the green and white wires are on one side of the outlet box (1) and the black and blue wires are on the other side. Carefully tuck the wire connections up into the outlet box (1).



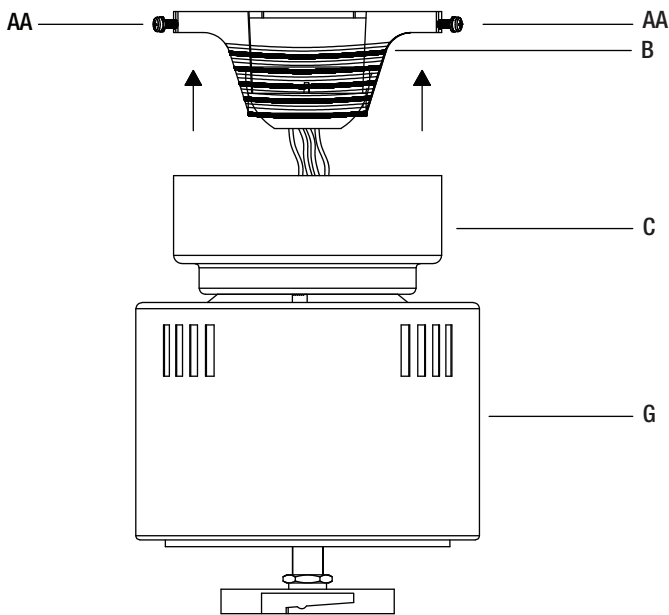
Assembly - Flushmount (continued)

6 Mounting the fan



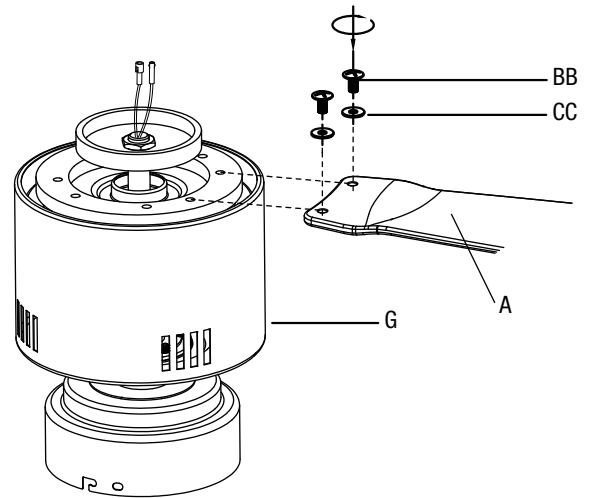
WARNING: The locking slots of the ceiling canopy are provided only as an aid to mounting. Do not leave the fan assembly unattended until all four canopy screws are engaged and firmly tightened.

- Carefully unhook the fan from the mounting bracket (B) and align the locking slots of the ceiling canopy (C) with the two screws in the mounting bracket (B). Push up to engage the slots and turn clockwise to lock the canopy (C) in place. Immediately tighten the two canopy screws (AA) firmly.
- Install the remaining two canopy screws (AA) into the holes in the canopy (C) and tighten firmly.



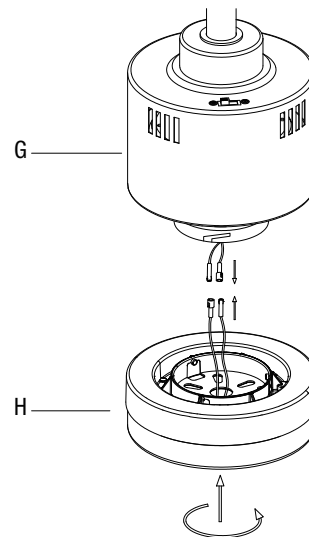
7 Attaching the fan blades

- Attach the fan blades (A) to the fan motor assembly (G) by using the blade screws (BB) and fiber washers (CC). Tighten blade screws (BB) securely.
- Repeat these steps for the remaining blades (A).



8 Installing the lamp

- A wire connector (female) is located inside the electrical switch housing and a male connector extends from the lamp. Push them together.
- A wire connector (male) is located inside the electrical switch housing and a female connector extends from the lamp. Push them together.
- Place the lamp (H) into the electrical switch housing aligning the three flat areas on the lamp (H) with the three raised dimples in the lamp (H). Turn the lamp (H) clockwise until it stops.



Operation

WALL CONTROL INSTALLATION



Before you begin, **TURN OFF THE ELECTRICITY** at the main circuit panel or fuse box. If you feel unsure of this procedure, have a qualified electrician install this unit.

Disconnect the power and remove the existing wall plate and switch. Set all knobs on the dual slide wall-mounted control in the OFF position. Installation of this control requires that a three conductor cable with ground wire be run between the control wall box and the ceiling fan outlet box. Make wire connections and secure with wire nuts supplied.

Connect the Black (live) wire from the power supply to the Black wire "AC IN L" from the wall-mounted control.

Connect the White (neutral) wire from the power supply to the White wire from the fan motor assembly (G).

Connect the Black wire from ceiling fan to the Black wire "TO MOTOR L" from the wall-mounted control.

Connect the Blue wire from ceiling fan to the Blue wire "FOR LIGHT" from the wall-mounted control.

Make sure to use wire nuts on all connections.

Push the control unit into the switch box and secure it with the two screws at each end of the unit (this procedure is the same as if you were to put the original wall switch back into the wall). Now attach the face plate to the wall control.

WALL CONTROL OPERATION

Speed Control

O: POWER OFF
H: HIGH SPEED
M: MEDIUM SPEED
L: LOW SPEED

Light Control

O: POWER OFF
-: POWER ON

REVERSE SWITCH OPERATING INSTRUCTIONS

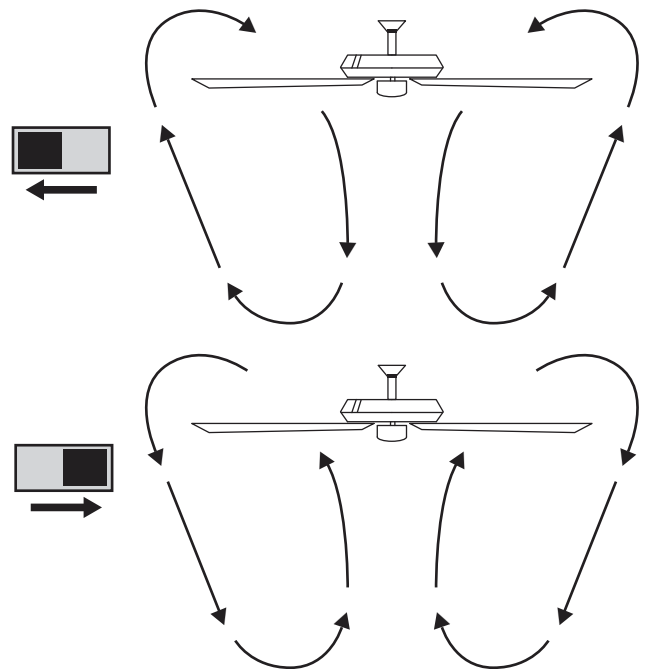
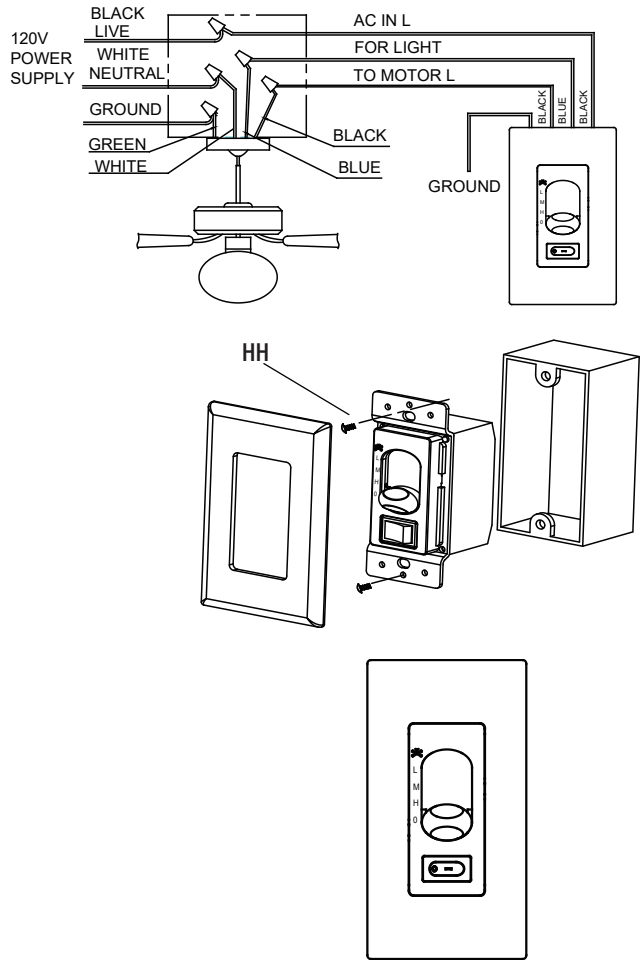
The reverse switch is located on the surface of the motor assembly. This switch controls directions: forward (switch left) or reverse (switch right).



NOTE: Wait for the fan to stop before reversing the direction of the blade rotation.

Warm weather - (Counterclockwise Direction) A downward air flow creates a cooling effect. This allows you to set your air conditioner on a warmer setting without affecting your comfort.

Cool weather - (Clockwise Direction) An upward air flow moves warm air off the ceiling. This allows you to set your heating unit on a cooler setting without affecting your comfort.



Care and Cleaning



WARNING: Make sure the power is off before cleaning your fan.

- Because of the fan's natural movement, some connections may become loose. Check the support connections, brackets, and blade attachments twice a year. Make sure they are secure. It is not necessary to remove the fan from the ceiling.
- Clean your fan periodically to help maintain its new appearance over the years. Do not use water when cleaning, as this could damage the motor, or the wood, or possibly cause an electrical shock. Use only a soft brush or lint-free cloth to avoid scratching the finish. The plating is sealed with a lacquer to minimize discoloration or tarnishing.
- You can apply a light coat of furniture polish to the wood for additional protection and enhanced beauty. Cover small scratches with a light application of shoe polish.
- You do not need to oil your fan. The motor has permanently-lubricated sealed ball bearings.
- Always unplug the fan before cleaning, disassembly or servicing.

Troubleshooting

Problem	Solution
The fan will not start.	<ul style="list-style-type: none"><input type="checkbox"/> Check the main and branch circuit fuses or breakers.<input type="checkbox"/> Check the line wire connections to the fan and switch wire connections in the switch housing.<input type="checkbox"/> Check the battery in the remote control.<input type="checkbox"/> Ensure you are in the normal range of 10-20 feet.<input type="checkbox"/> Turn the power off and ensure that the dip switch settings are the same on the remote control and receiver.
The fan is noisy.	<ul style="list-style-type: none"><input type="checkbox"/> Ensure all motor housing screws are snug.<input type="checkbox"/> Ensure the screws that attach the fan blade bracket to the motor hub are tight.<input type="checkbox"/> Ensure the wire nut connections are not rattling against each other or the interior wall of the switch housing.<input type="checkbox"/> Allow a 24-hour "breaking in" period. Most noises associated with a new fan disappear during this time.<input type="checkbox"/> If you are using the Ceiling Fan light kit, ensure the screws securing the glassware are tight. Check that the light bulbs are also secure.<input type="checkbox"/> Ensure the canopy is a short distance from the ceiling. It should not touch the ceiling.<input type="checkbox"/> Ensure your outlet box is secure and rubber isolator pads were used between the mounting plate and outlet box.
The fan wobbles.	<ul style="list-style-type: none"><input type="checkbox"/> Check that all blade and blade arm screws are secure.<input type="checkbox"/> Most fan wobble problems are caused when blade levels are unequal. Check this level by selecting a point on the ceiling above the tip of one of the blades. Measure from a point on the center of the blade to the point on the ceiling. Rotate the fan until the next blade is positioned for measurement, and measure from the same point on each blade to the ceiling. Repeat for each blade. Any measurement deviation should be within 1/8 in. Run the fan for ten minutes. If the fan continues to wobble please contact Hampton Bay Customer Service and a balancing kit will be sent to you at no charge.

FCC Statement

This equipment has been tested and found to comply with the limits for a Class B digital device, pursuant to Part 15 of the FCC Rules. These limits are designed to provide reasonable protection against harmful interference in a residential installation. This equipment generates uses and can radiate radio frequency energy and, if not installed and used in accordance with the instructions, may cause harmful interference to radio communications. However, there is no guarantee that interference will not occur in a particular installation. If this equipment does cause harmful interference to radio or television reception, which can be determined by turning the equipment off and on, the user is encouraged to try to correct the interference by one or more of the following measures:

- Reorient or relocate the receiving antenna.
- Increase the separation between the equipment and receiver.
- Connect the equipment into an outlet on a circuit different from that to which the receiver is connected.
- Consult the dealer or an experienced radio/TV technician for help.

CAUTION:
Any changes or modifications not expressly approved by the grantee of this device could void the user's authority to operate the equipment.

This device complies with Part 15 of the FCC Rules. Operation is subject to the following two conditions:

- (1) This device may not cause harmful interference, and
- (2) this device must accept any interference received, including interference that may cause undesired operation.

The following responsible party designated in FCC §2.909 is responsible for this declaration :

Model Number: 35442-HBUM, 35442-HBUW, 35442-HBUG, 35442-HBUB

Company Name: Eurofase Inc

Company Address: 60 Industrial Parkway, Unit 802, Cheektowaga, NY

Full Name: Kent Yin

Telephone Number: 905-695-2055 Ext. 259

Title: Product Development Manager

Fax: 905-695-2056

HOME DECORATORS COLLECTION

Questions, problems, missing parts? Before returning to the store,
call Home Depot Customer Service

8 a.m. - 7 p.m., EST, Monday-Friday, 9 a.m. - 6 p.m., EST, Saturday

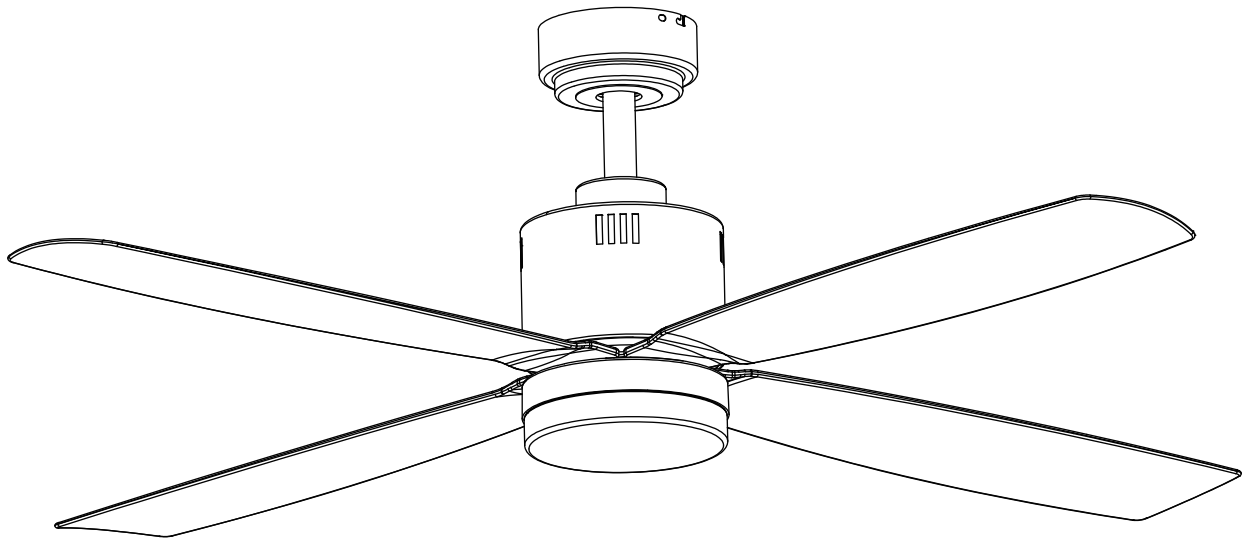
1-800-986-3460

HOMEDEPOT.COM/HOMEDECORATORS

Retain this manual for future use.

GUÍA DE USO Y CUIDADO

VENTILADOR DE TECHO PARA INTERIORES, CON LUZ LED, 52 PLG KITTERIDGE



¿Preguntas, problemas, partes o piezas faltantes? Antes de devolver a la tienda,
llamar al servicio al cliente de Home Decorators Collection de lunes a viernes,
entre 8:00 a.m. y 7:00 p.m. (hora del Este), y los sábados de 9:00 a.m. a 6:00 p.m. (hora del Este).

1-800-986 3460

HOMEDEPOT.COM/HOMEDECORATORS

GRACIAS POR TU COMPRA

Apreciamos la plena confianza que has depositado en la colección Home Decorators al comprar este ventilador de techo. Nos esforzamos en crear continuamente productos de calidad diseñados para mejorar tu hogar. Visítanos por Internet para ver nuestra línea completa de productos disponibles a fin de satisfacer las necesidades de mejoras de tu hogar. ¡Gracias por elegir Home Decorators Collection!


Tabla de contenido


Tabla de contenido.....	2	Ensamblaje	7
Información de seguridad.....	2	Funcionamiento	15
Garantía.....	3	Mantenimiento y limpieza.....	16
Preinstalación.....	3	Solución de problemas.....	16
Instalación.....	6	Declaración de FCC.....	17


Información de seguridad


LEE Y GUARDA ESTAS INSTRUCCIONES.


1. Para disminuir el riesgo de descarga eléctrica, asegure cortar la electricidad en el cortacircuitos o en la caja de fusibles antes de comenzar.
2. Todo el cableado tiene que cumplir con el Código Nacional de Electricidad ANSI/NFPA 70 y los códigos eléctricos locales. La instalación eléctrica debe hacerse por un electricista calificado con licencia.
3. La caja eléctrica y estructura de soporte tienen que montarse de forma segura para poder sostener con confianza 35 lb (15.9 kg). (15.9 kg). Usar ya solo cajas eléctricas aprobadas por UL y marcadas como “apropiadas para sostener ventiladores de 35 lb (15.9 kg) o menos.”
4. No uses el interruptor de reversa mientras las aspas del ventilador estén en movimiento. Tienes que apagar el ventilador y detener las aspas antes de invertir el sentido de giro de las aspas.
5. No colocar objetos en la trayectoria de las aspas.
6. Los diagramas eléctricos son sólo de referencia. Los kits de luces no empaquetados con el ventilador tienen que estar aprobados por UL y marcados como apropiados para usar con el modelo de ventilador que se está instalando. Los interruptores tienen que estar clasificados por UL como de uso general. Para ensamblar bien hay que consultar las instrucciones adjuntas a los kits de luces e interruptores.
7. Después de concluir las conexiones eléctricas, los conductores empalmados deben voltearse hacia arriba y empujarse con cuidado hacia dentro de la caja eléctrica. Los cables deben quedar separados: el cable y el conductor a tierra del equipo hacia uno de los lados de la caja eléctrica y el conductor sin conexión a tierra, hacia el lado opuesto.
8. Antes de instalar, todos los tornillos de fijación tienen que comprobarse y reajustarse donde sea necesario.


 **CUIDADO:** Para reducir el riesgo de lesiones personales, no doblar los soportes de las aspas al instalar estos, compensar las aspas o limpiar el ventilador. No insertes objetos extraños entre las aspas del ventilador en rotación.


 **ADVERTENCIA:** Para reducir el riesgo de incendio, descarga eléctrica o lesiones, montar sólo en una caja eléctrica clasificada como “apropiada para sostener ventiladores de 35 lb. (15.9 kg) o menos”, y usa sólo los tornillos incluidos con la caja eléctrica.


 **CUIDADO:** Para evitar una posible descarga eléctrica, desconecta la electricidad en la caja principal de fusibles antes cablear. Si crees que no tienes suficiente experiencia o conocimientos en cableado eléctrico, contrata a un electricista con licencia.


 **ADVERTENCIA:** Para reducir el riesgo de incendio o descarga eléctrica, no utilices este ventilador con ningún dispositivo de estado sólido para control de velocidad.

 **CUIDADO:** Los diagramas eléctricos son sólo de referencia. Cualquier kit de luces opcional debe estar aprobado por UL y marcado como adecuado para ser usado con este ventilador.

 **CUIDADO:** Para reducir el riesgo de lesiones personales hay que usar sólo los tornillos incluidos con la caja eléctrica.

 **CUIDADO:** Para evitar lesiones personales o daños al ventilador y otros artículos, hay que tener cuidado al limpiarlo y al trabajar cerca de él.

 **CUIDADO:** El ventilador tiene que montarse con separación mínima de 7 pies (2.1 m) entre el borde de salida de las aspas y el piso.

 **CUIDADO:** Los cambios o modificaciones sin previa aprobación expresa de parte responsable de su cumplimiento podrían anular la autorización al usuario para operar el equipo.

Garantía

Garantizamos de por vida, a partir de la fecha de adquisición por el comprador original, que el motor del ventilador no presenta defectos de fabricación ni de materiales al momento del envío desde la fábrica. También garantizamos por un año, a partir de la fecha de adquisición por el comprador original, que las demás piezas del ventilador, sin incluir aspas de vidrio o acrílico, no presentan ningún defecto de fabricación ni de material al momento de la salida de la fábrica. Si el producto es devuelto, aceptamos reparar sus defectos sin cargo alguno o, a nuestra entera discreción, reemplazarlo con modelo similar o superior. Para obtener servicio de garantía tiene que presentarse una copia del recibo como comprobante de compra. Todos los costos de retiro y reinstalación del producto correrán por cuenta del cliente. Los daños a cualquier parte o pieza por accidente, instalación inapropiada o uso inadecuado, o por montar cualquier accesorio, no están cubiertos por esta garantía. Debido a las condiciones climáticas variables, esta garantía no cubre ningún cambio del acabado en latón, inclusive óxido, perforación, corrosión, manchas o descascaramiento. Los acabados en latón de este tipo proveen la vida útil más larga al proteger contra las condiciones climáticas cambiantes. Cierta "oscilación" es normal y no debe considerarse un defecto. Todo servicio prestado por personal no autorizado invalidará la garantía. No hay ninguna otra garantía expresa. Por este medio rechazamos toda garantía, incluso, pero sin limitarse a ellas, de comercialización e idoneidad para determinado fin, en el alcance permitido por la ley. La duración de cualquier garantía implícita que no pudiera rechazarse se limita al plazo especificado en la garantía expresa. Algunos estados no permiten limitaciones a la duración de la garantía, así que la limitación precitada pudiera no aplicarse a su caso. El minorista no será responsable por daños directos, indirectos ni especiales que resulten o deriven del uso o funcionamiento del producto, excepto en los casos que pudieran estar estipulados de otro modo por ley. Algunos estados no permiten excluir ni limitar daños directos o indirectos, así que la limitación o exclusión anterior pudiera no aplicarse a su caso. Esta garantía concede derechos legales específicos y es posible que usted tenga también otros derechos, que varían de estado a estado. Esta garantía sustituye todas las precedentes. Los costos de envío en cualquier devolución de productos como parte de una reclamación tienen que ser pagados por el cliente.

Comuníquese con el equipo de servicio al cliente (1-800-986-3460) o visite www.HomeDepot.com/homedecorators.

Preinstalación

ESPECIFICACIONES

Tamaño	Velocidad	Voltios	FLUJO DE AIRE EN PIES ³ X MIN	CONSUMO DE ENERGÍA (SIN LUCES) EN VATIOS	EFICIENCIA DE FLUJO DE AIRE (MIENTRAS MÁS ALTA MEJOR) EN PIES ³ X MIN / VATIOS	Peso neto	Peso bruto	Pies Cúbicos
52 plg	Baja	120	1821.39	14.19	128.36	14.15 lb (6.42 kg)	15.81lb (7.17kg)	1.11 en pies. cúbicos.
	Media		3267.42	32.78	99.68			
	Alta		3842.99	48.53	79.19			



NOTA: Estas medidas son aproximadas. No incluyen el amperaje ni el vataje consumido por el kit de luces.

HERRAMIENTAS NECESARIAS



Destornillador Phillips



Destornillador plano



Llave ajustable



Cinta de electricista



Cortacables



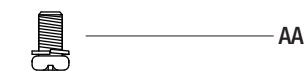
Escalera de tijera

Preinstalación (continuación)

SE INCLUYEN HERRAJES



NOTA: Los herrajes no se muestran en tamaño real.



AA



DD



GG



BB



EE



HH



CC

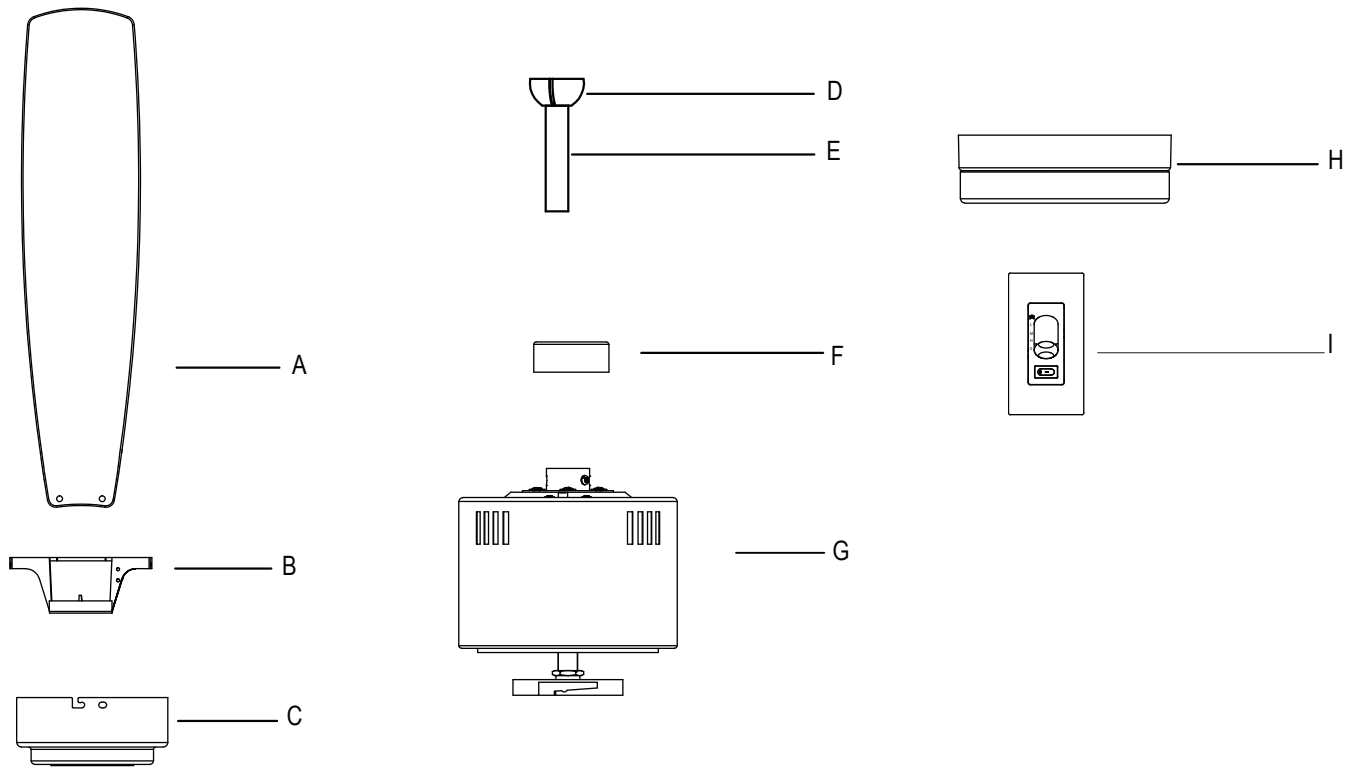


FF

Parte o pieza	Descripción	Cantidad
AA	Tornillo de la cubierta (no se muestra a escala - preensamblado)	4
BB	Tornillo del aspa (no se muestra a escala)	8
CC	Arandela de fibra (no se muestra a escala)	8
DD	Tuercas para cable (no se muestran a escala)	7
EE	Pasador de enganche (no se muestra a escala - preensamblado)	1
FF	Pasador de seguridad (no se muestra a escala - preensamblado)	1
GG	Tornillo de fijación (no se muestra a escala - preensamblado)	2
HH	Tornillo para montar el control de pared (no se muestra a escala)	2

Preinstalación (continuación)

CONTENIDO DEL PAQUETE



Parte o pieza	Descripción	Cantidad
A	Aspa	4
B	Soporte de montaje	1
C	Cubierta	1
D	Esfera de soporte (preensamblada)	1
E	Tubo bajante (preensamblado)	1

Parte o pieza	Descripción	Cantidad
F	Cubierta del acoplamiento	1
G	Ensamblaje del motor del ventilador	1
H	Lámpara	1
I	Control de pared	1

OPCIONES DE MONTAJE

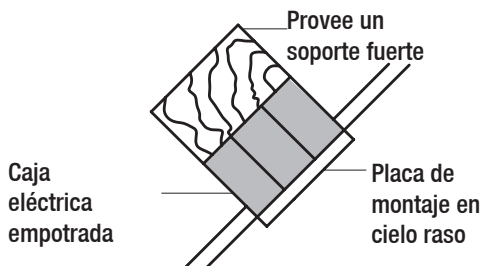
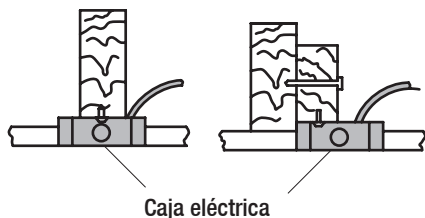
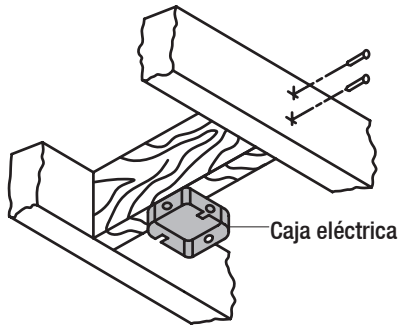


ADVERTENCIA: Para reducir el riesgo de incendio, descarga eléctrica o lesiones, montar sólo en una caja eléctrica clasificada como “apropiada para sostener ventiladores de 35 lb. (15.9 kg) o menos”, y usa sólo los tornillos incluidos con la caja eléctrica. Una caja eléctrica que suele utilizarse para el soporte de lámparas pudiera no servir como soporte del ventilador y tal vez deba reemplazarse. En caso de duda, consulta a un electricista calificado.

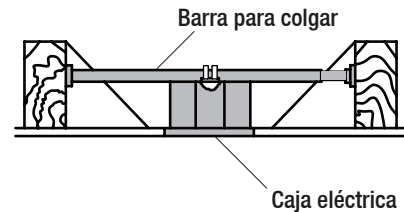
Si tu ventilador de techo no tiene una caja de montaje aprobada por UL, instala otra conforme a las instrucciones siguientes:

- Desconectar la energía retirando los fusibles o apagando los cortacircuitos.
- Asegura la caja eléctrica directamente a la estructura de la edificación. Usa los materiales y sujetadores apropiados. La caja eléctrica y su soporte tienen que ser capaces de sostener completamente el peso en movimiento del ventilador (al menos 35 lb = 15.9 kg). No usar una caja eléctrica de plástico.

Las ilustraciones más abajo muestran tres formas distintas de montar la caja eléctrica.



NOTA: Tal vez necesites un tubo bajante más largo para mantener la altura mínima adecuada de las aspas, al instalar el ventilador en un techo inclinado. El ángulo máximo permitido es 23° desde la horizontal.



Si la cubierta toca el tubo bajante, retira la tapa inferior decorativa de la cubierta y gira 180° esta última antes de fijarla a la placa de montaje.

Para colgar el ventilador donde hay una lámpara, pero ninguna viga de techo, tal vez necesites una barra colgante como se muestra anteriormente.

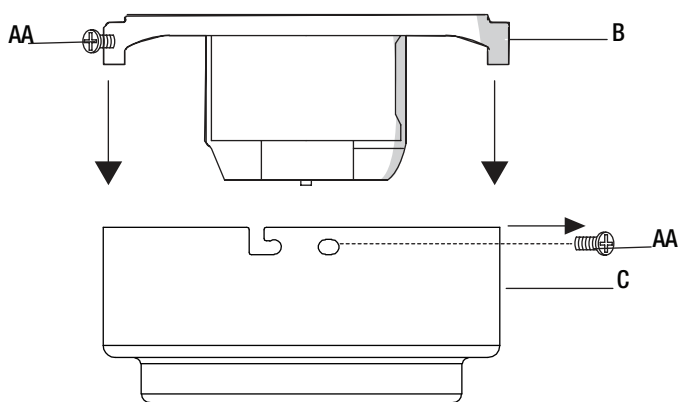
Ensamblaje - Montaje Estándar en Techo

1 Preparación para el montaje



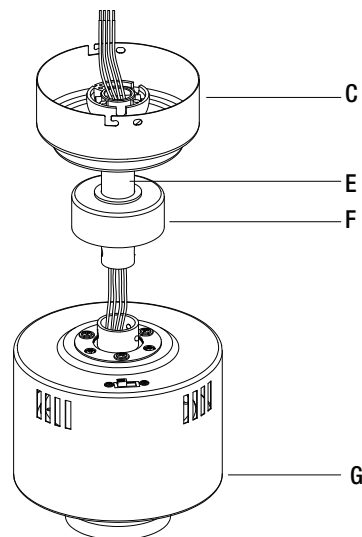
CUIDADO: Asegúrate de que la electricidad está cortada antes de proceder a la instalación.

- Aflojar los dos tornillos de la cubierta (AA) ubicados en las ranuras con forma de "L".
- Quita y guarda los dos tornillos de la cubierta (AA) en los orificios redondos.



2 Disposición de los cables

- Pasa los cables que salen por la parte superior del conjunto motor-ventilador (G) a través de la cubierta del acoplamiento (F).
- Asegúrate de que las aberturas de ranura queden arriba y pasa los cables a través de la cubierta (C) y enseguida a través del conjunto tubo bajante/esfera (E).

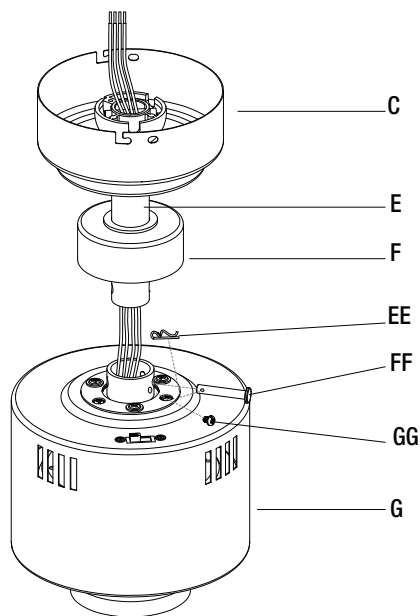


3 Cómo ensamblar el ventilador



CUIDADO: Para asegurar operación libre de oscilación y evitar daños al ventilador, el tubo bajante (E) y el tornillo de fijación (GG) tienen que quedar completamente ajustados.

- Aflojar los tornillos de fijación (GG) en el acoplador del tubo bajante hasta que el interior del canal quede despejado sin punta de tornillo.
- Retira y guarda el pasador de seguridad (FF) en el extremo del tubo bajante (E).
- Desliza la cubierta del cielo raso (C) hacia el tubo bajante (B), seguida de la cubierta del acoplamiento (F). Engancha el tubo bajante (E) en el acoplador hasta que el pasador de seguridad (EE) pueda insertarse a través del orificio tanto en el tubo como en el acoplador.
- Inserta el pasador de seguridad (FF) a través del orificio en el acoplador y el tubo bajante (E) para enseguida fijar el pasador de enganche (EE) en el otro lado.
- Ajustar los dos tornillos de fijación en el acoplador.



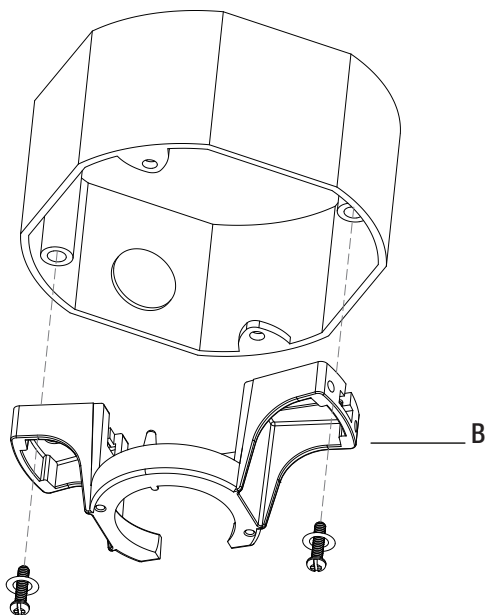
Ensamblaje - Montaje estándar en techo (continuación)

4 Instalar el ventilador en la caja eléctrica



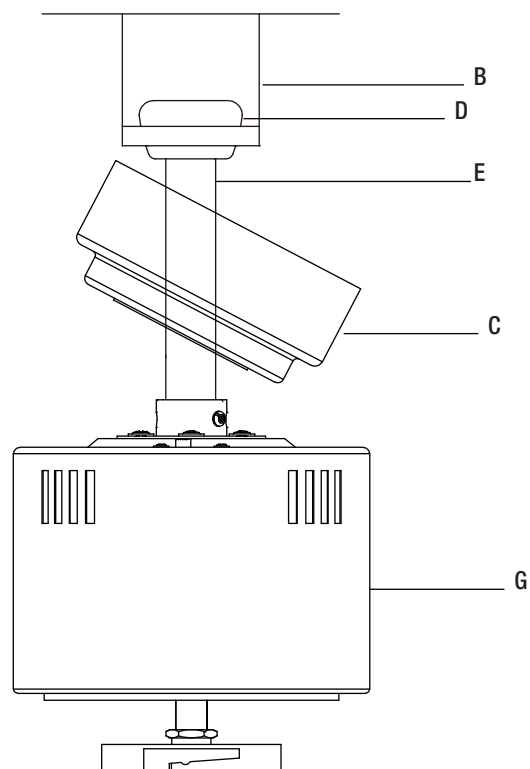
ADVERTENCIA: Para reducir el riesgo de incendio, descarga eléctrica o lesiones, montar sólo en una caja eléctrica clasificada como “apropiada para sostener ventiladores de 35 lb. (15.9 kg) o menos”, y usa sólo los tornillos incluidos con la caja eléctrica.

- Pasa los cables de alimentación de 120 voltios a través del orificio central en el soporte de montaje (B).
- Instala el soporte de montaje de techo (B) sobre la caja eléctrica usando los dos tornillos de montaje suministrados con esta. De ser necesario, emplear arandelas de nivelación (no incluidas) entre el soporte (B) y la caja.
Ten en cuenta que el lado plano del soporte de montaje (B) debe mirar hacia la caja eléctrica. Al montar a ras, es importante que quede nivelado.
- Apretar bien los dos tornillos de la caja eléctrica del tomacorriente.



5 Cómo colgar el ventilador

- Con cuidado levanta el conjunto motor-ventilador (G) hasta el soporte de montaje (B).
- Coloca la parte de esfera de soporte (D) del conjunto del tubo bajante (E) en el casquillo del soporte de montaje. Asegúrate que la pestaña sobre el casquillo del soporte de montaje (B) quede bien asentada dentro de la ranura de la esfera de soporte. En caso de montar a ras, cuelga el ventilador del gancho incluido usando uno de los orificios en el borde exterior de la cubierta de techo (C).



6 Cómo hacer las conexiones eléctricas



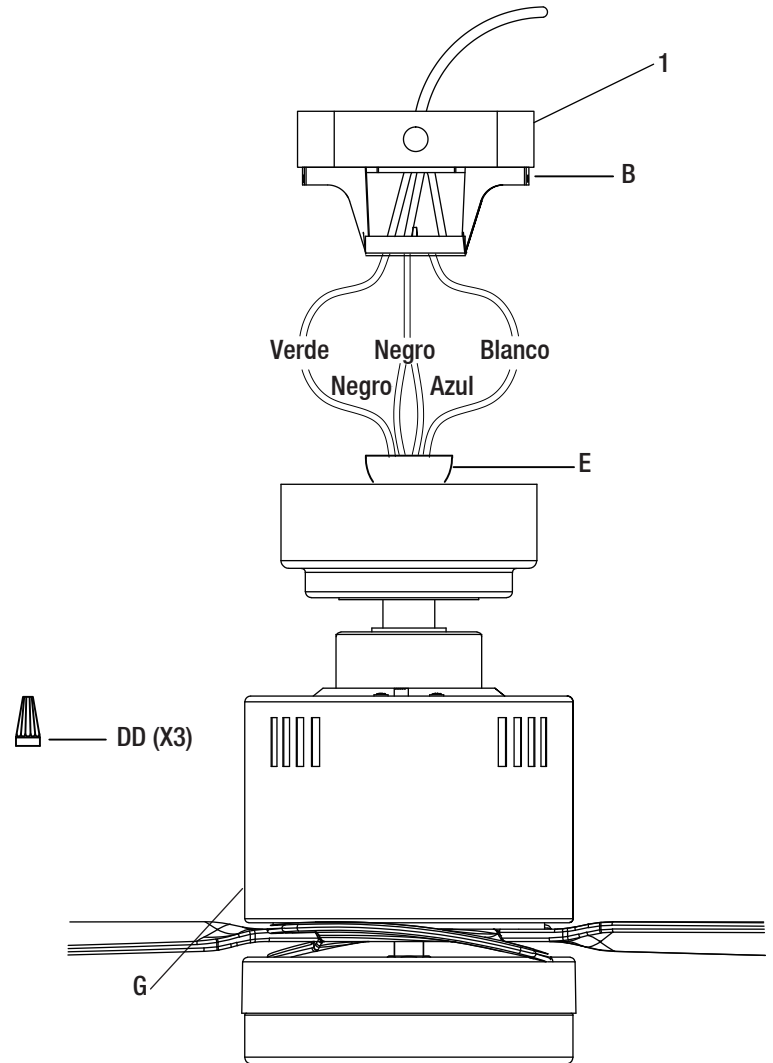
ADVERTENCIA: Para evitar posible descarga eléctrica, asegure que no circule electricidad en el cortacircuitos ni en la caja principal de fusibles antes de cablear.



ADVERTENCIA: Verifica que todas las conexiones estén bien ajustadas, incluida la conexión a tierra, y que no haya ningún cable pelado visible en las tuercas para cable (excepto el cable a tierra).

Seguir los siguientes pasos para conectar tu ventilador los cables de alimentación domésticos. Asegurar las tuercas de cable (DD) incluidas con tu ventilador envolviendo las conexiones con cinta adhesiva de electricista.

- Conecta el cable negro (activo) del cielo raso al cable negro y al cable azul del conjunto motor-ventilador (G).
- Conecta el cable blanco (neutral) del cielo raso al cable blanco del conjunto motor-ventilador (G).
- Conecta el conductor a tierra del cable de la línea de alimentación de 120 V (puede ser un cable desnudo o con aislante de color verde) al (los) cable(s) terminal(es) a tierra verde(s) del ventilador. Hay dos cables verdes a tierra: uno desde el soporte de montaje (B) y otro desde el conjunto del tubo bajante-esfera de soporte (E).
- Asegura las conexiones de cable usando las tuercas plásticas (DD) correspondientes incluidas con los herrajes eléctricos.
- Después de conectar los cables, sepáralos de manera que aquellos verde y blanco queden a un lado de la caja eléctrica (1) y los cables negro y azul, del otro lado. Con cuidado, mete todas las conexiones eléctricas dentro de la caja (1).



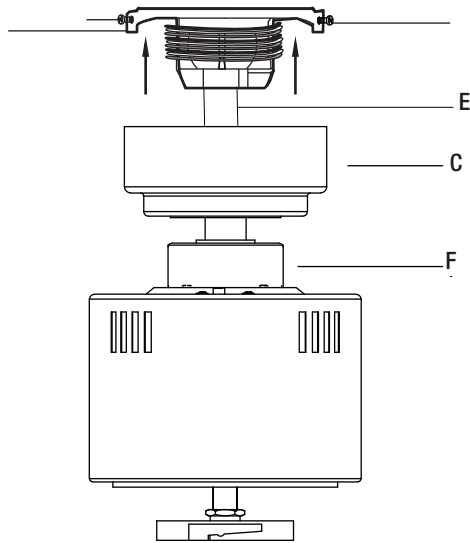
Ensamblaje - Montaje estándar en techo (continuación)

7 Cómo montar el ventilador



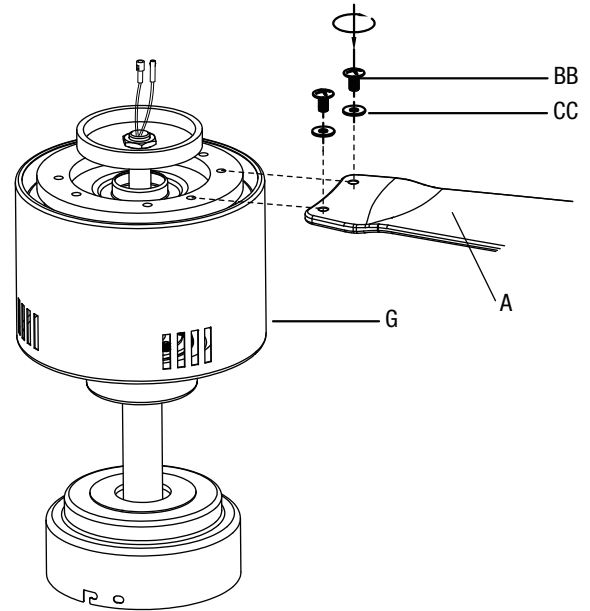
CUIDADO: Cuando uses el montaje de tubo bajante-esfera estándar, la pestaña en el aro en la parte inferior del soporte de montaje tiene que encajar en la ranura de la esfera de soporte. Si la pestaña no se asienta correctamente en la ranura, se puede dañar el cableado.

- Alinea las ranuras de cierre de la cubierta de techo (C) con los dos tornillos de esta (AA) en el soporte de montaje (B). Empuja hacia arriba para enganchar en las ranuras y gira hacia la derecha para asegurar en el lugar.
- Apretar con firmeza los dos tornillos de la cubierta (AA).
- Instala los dos tornillos de la cubierta (AA) (guardados en el Paso 1 del Ensamblaje: "Preparación de la instalación") en sus orificios correspondientes (C) y aprieta firmemente.



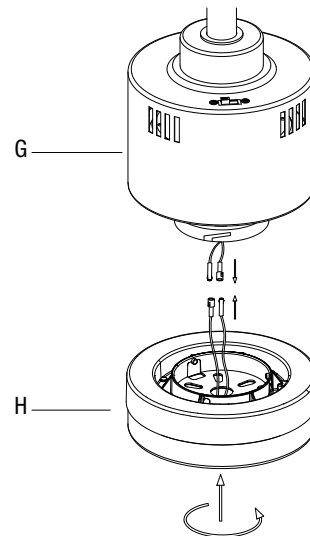
8 Cómo montar las aspas del ventilador

- Fija cada aspa de ventilador (A) al conjunto motor-ventilador (G) usando los tornillos correspondientes (BB) y las arandelas de fibra (CC). Aprieta bien los tornillos (BB).
- Repite estos pasos para ensamblar las restantes aspas (A).



9 Cómo instalar la lámpara

- Un conector de cable (hembra) está dentro de la carcasa del interruptor y uno macho se extiende desde la lámpara. Empujarlos juntos.
- Un conector de cable (macho) está dentro de la carcasa del interruptor y uno hembra se extiende desde la lámpara. Empujarlos juntos.
- Coloca la lámpara (H) dentro de la carcasa del interruptor u alinea las tres áreas planas de aquella (H) con sus tres muescas salientes (H). Gira la lámpara (H) hacia la derecha hasta que se detenga.



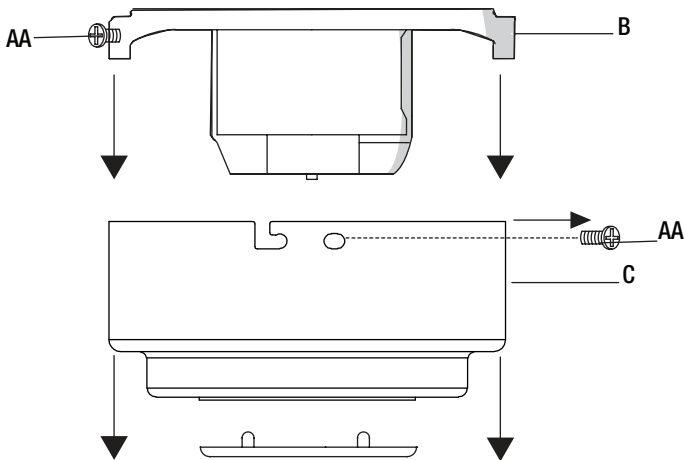
Ensamblaje - A ras

1 Preparación para el montaje



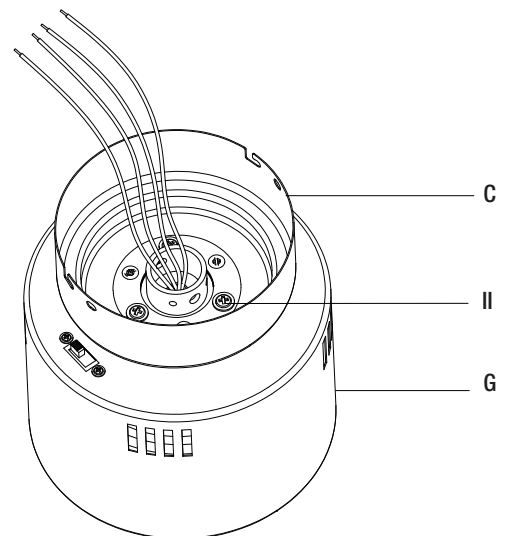
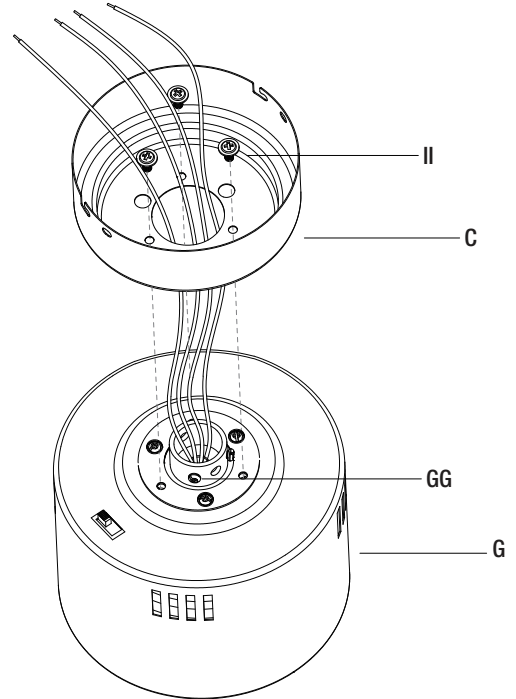
CUIDADO: Asegúrate de que la electricidad está cortada antes de proceder a la instalación.

- Aflojar los dos tornillos de la cubierta (AA) ubicados en las ranuras con forma de "L".
- Quita y guarda los dos tornillos de la cubierta (AA) en los orificios redondos.
- Retira la cubierta inferior decorativa (L) del cubierta (C).



2 Disposición de los cables

- Afloja los tres tornillos de montaje en el acoplador ubicado en el centro de la carcasa del motor hasta despejar el canal interior.
- Retira y guarda el tornillo de fijación (GG) del acoplador.
- Coloca la cubierta del cielo raso (C) en la parte superior de la carcasa del motor y asegura con los tres tornillos de montaje (II).

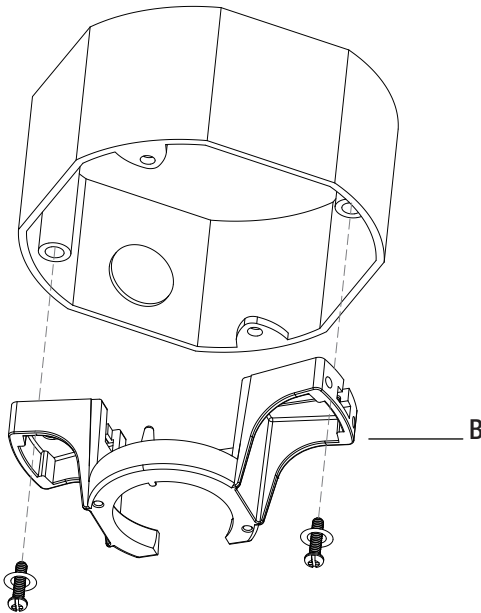


3 Instalar el ventilador en la caja eléctrica



CUIDADO: Para reducir el riesgo de incendio, descarga eléctrica o lesiones, montar sólo en una caja eléctrica marcada como “aceptable para sostener ventiladores de 35 lb. (15.9 kg) o menos”, y usa sólo los tornillos incluidos con la caja eléctrica.

- Pasa los cables de alimentación de 120 voltios a través del orificio central en el soporte de montaje (B).
- Instala el soporte de montaje de techo (B) sobre la caja eléctrica usando los dos tornillos de montaje suministrados con esta. De ser necesario, emplear arandelas de nivelación (no incluidas) entre el soporte (B) y la caja. Ten en cuenta que el lado plano del soporte de montaje (B) debe mirar hacia la caja eléctrica. Al montar a ras, es importante que quede nivelado.
- Apretar bien los dos tornillos de la caja eléctrica del tomacorriente.

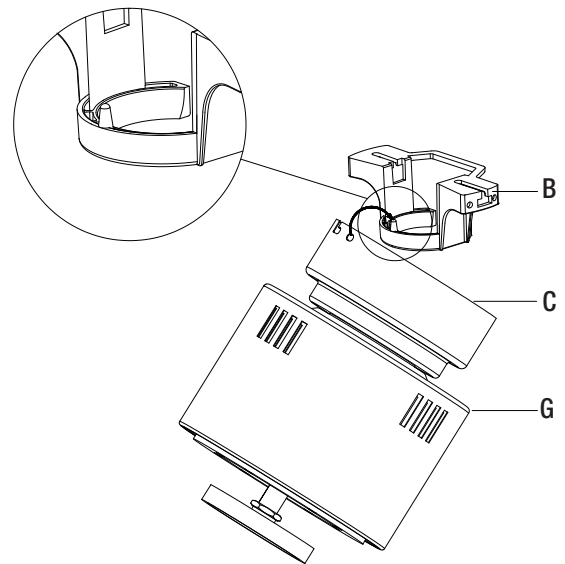


4 Cómo colgar el ventilador



CUIDADO: El gancho, tal y como se muestra, es solo para sostener el ventilador mientras se conectan los cables. Si no se cuelga como se muestra, el gancho puede romperse y el ventilador caerá. El gancho tiene que pasar de dentro hacia afuera de la cubierta.

- Con cuidado levanta el conjunto motor-ventilador (G) hasta el soporte de montaje (B).
- En caso de montar a ras, cuelga el ventilador del gancho incluido usando uno de los orificios en el borde exterior de la cubierta de techo (C).



5 Cómo hacer las conexiones eléctricas



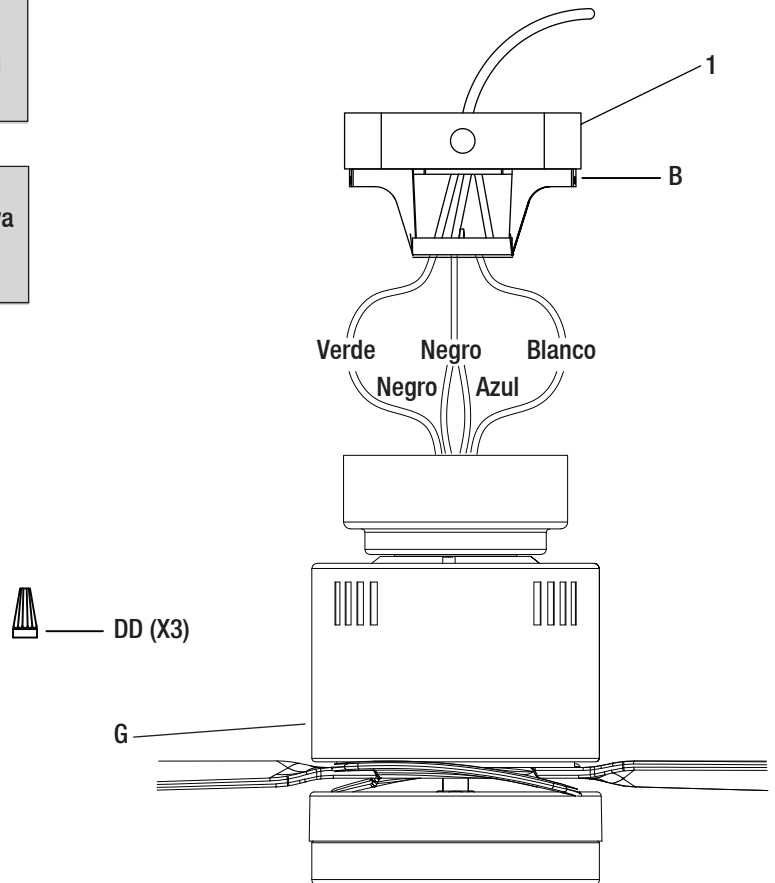
ADVERTENCIA: Para evitar posible descarga eléctrica, asegure que no circule electricidad en el cortacircuitos ni en la caja principal de fusibles antes de cablear.



ADVERTENCIA: Verifica que todas las conexiones estén bien ajustadas, incluida la conexión a tierra, y que no haya ningún cable pelado visible en las tuercas para cable (excepto el cable a tierra).

Seguir los siguientes pasos para conectar tu ventilador los cables de alimentación domésticos. Asegurar las tuercas de cable (DD) incluidas con tu ventilador envolviendo las conexiones con cinta adhesiva de electricista.

- Conecta el cable negro (activo) del cielo raso al cable negro y al cable azul del conjunto motor-ventilador (G).
- Conecta el cable blanco (neutral) del cielo raso al cable blanco del conjunto motor-ventilador (G).
- Conecta el conductor a tierra del cable de 120 V (puede ser un cable desnudo o con aislamiento verde) al (los) cable(s) terminal(es) a tierra verde(s) del ventilador. Hay un solo cable terminal a tierra verde desde la placa de montaje (B), ya que no se usa el conjunto tubo esfera-bola.
- Asegura las conexiones de cable usando las tuercas plásticas (DD) correspondientes incluidas con los herrajes eléctricos.
- Después de conectar los cables, sepáralos de manera que aquellos verde y blanco queden a un lado de la caja eléctrica (1) y los cables negro y azul, del otro lado. Con cuidado, mete todas las conexiones eléctricas dentro de la caja (1).



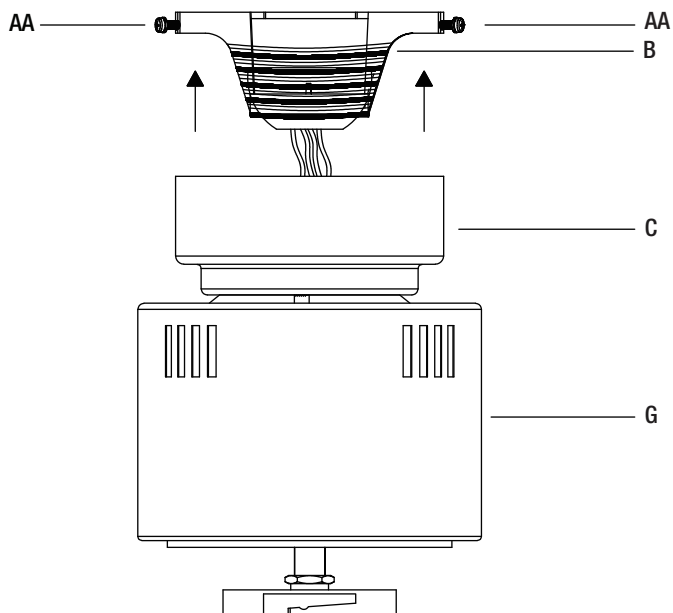
Ensamblaje - A ras (continuación)

6 Cómo montar el ventilador



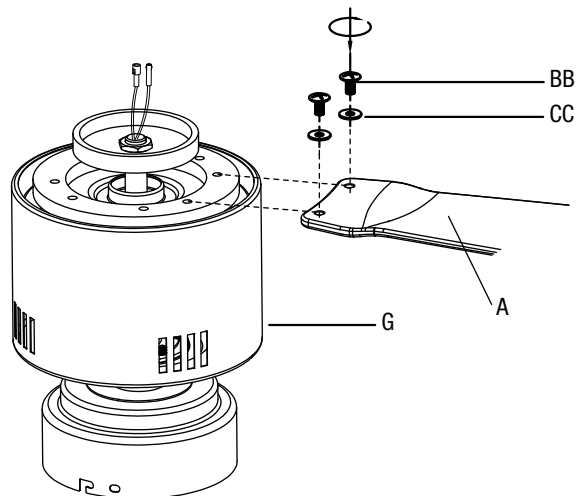
CUIDADO: Las ranuras de cierre de la cubierta del techo sólo sirven de ayuda durante el montaje. No dejes sin atención el ensamblaje del ventilador hasta que los cuatro tornillos de la cubierta queden bien fijados y apretados.

- Con cuidado, desengancha el ventilador del soporte de montaje (B) y alinea las ranuras de cierre de la cubierta del techo (C) con los dos tornillos en el soporte (B). Empuja hacia arriba para enganchar las ranuras y gira a la izquierda para asegurar la cubierta (C) en su sitio. Apretar de inmediato y con firmeza los dos tornillos de la cubierta (AA).
- Instala los dos tornillos de montaje restantes (AA) en los orificios de la cubierta (C) y aprieta firmemente.



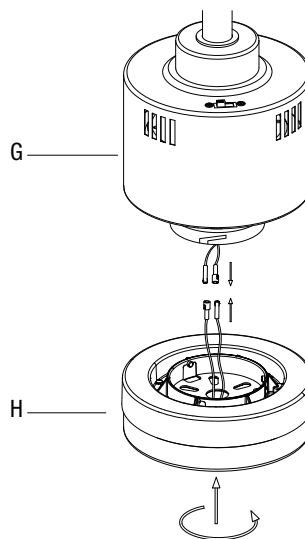
7 Cómo montar las aspas del ventilador

- Fija cada aspa de ventilador (A) al conjunto motor-ventilador (G) usando los tornillos correspondientes (BB) y las arandelas de fibra (CC). Aprieta bien los tornillos (BB).
- Repite estos pasos para ensamblar las restantes aspas (A).



8 Cómo instalar la lámpara

- Un conector de cable (hembra) está dentro de la carcasa del interruptor y uno macho se extiende desde la lámpara. Empujarlos juntos.
- Un conector de cable (macho) está dentro de la carcasa del interruptor y uno hembra se extiende desde la lámpara. Empujarlos juntos.
- Coloca la lámpara (H) dentro de la carcasa del interruptor u alinea las tres áreas planas de aquella (H) con sus tres muescas salientes (G). Gira la lámpara (H) hacia la derecha hasta que se detenga.



Funcionamiento

INSTALACIÓN DEL CONTROL DE PARED



Antes de comenzar la instalación, **CORTA LA ELECTRICIDAD** en el panel del circuito principal o en la caja de fusible. De no sentirte seguro con este procedimiento, recurre a un electricista calificado para instalar esta unidad.

Desconecta la electricidad y retira la placa de pared y el interruptor existentes. Poner en posición "OFF" todas las perillas del control dual deslizante montado en pared. La instalación de este control requiere pasar un cable de tres conductores con cable a tierra entre la caja del control de pared y la caja eléctrica del ventilador de techo. Haz las conexiones de cables y asegúralas con las tuercas para cable incluidas.

Conecta el cable negro (activo) del suministro de corriente al cable negro "AC IN L" del control montado en pared.

Conecta el cable blanco (neutral) del suministro de corriente al cable blanco del conjunto motor-ventilador (G).

Conecta el cable negro del ventilador de techo al cable negro marcado "TO MOTOR L" [Para motor L] del control montado en pared.

Conecta el cable azul del ventilador al cable azul marcado "FOR LIGHT" [Para Luz] del control montado en pared.

Asegúrate de utilizar tuercas de cable en todas las conexiones.

Empuja la unidad de control dentro de la caja del interruptor y asegura con los dos tornillos en cada extremo de la unidad (este procedimiento es el mismo que se emplearía en caso de volver a poner el interruptor de pared en esta última). Ahora fija la placa frontal encaja en el control de pared.

OPERACIÓN DEL CONTROL DE PARED

Control de velocidad

O: APAGADO
H: VELOCIDAD ALTA
M: VELOCIDAD MEDIA
LARGO: VELOCIDAD BAJA

Control de iluminación

O: APAGADO
-: ENCENDER

INSTRUCCIONES PARA OPERAR EL INTERRUPTOR DE REVERSA

El interruptor de reversa está ubicado en la superficie del conjunto del motor. Este interruptor controla los sentidos de giro: hacia adelante (a la izquierda) o en reversa (a la derecha).

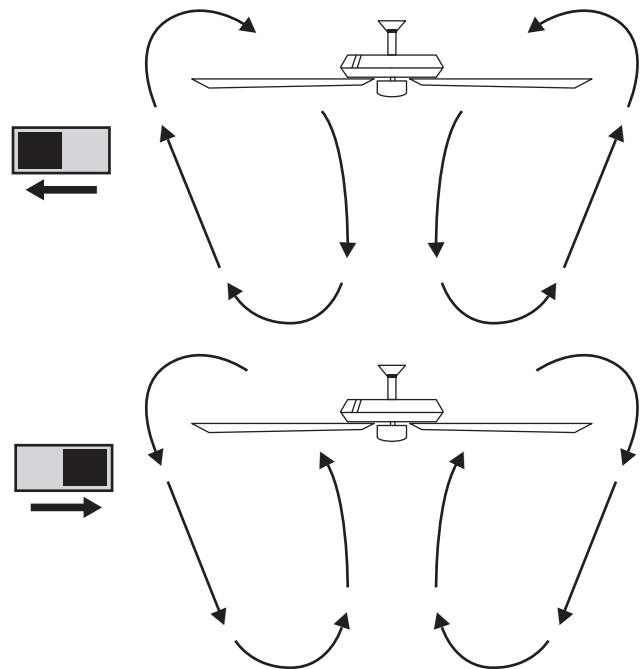
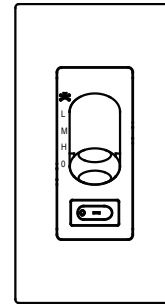
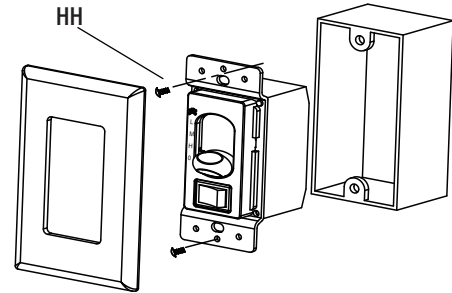
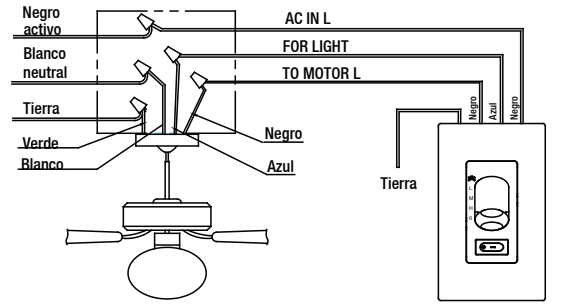


NOTA: Espera a que se detenga el ventilador antes de invertir la dirección de giro de las aspas.

Clima cálido - (Hacia la izquierda) Un flujo de aire hacia abajo surte efecto refrescante. Esto permite configurar tu equipo de aire acondicionado a temperatura más alta sin afectar tu comodidad.

Clima frío: (en sentido de las manecillas del reloj) Un flujo de aire hacia arriba desplaza el aire cálido lejos del techo. Esto permite configurar la unidad de calefacción a temperatura más baja sin afectar tu comodidad.

FUENTE DE ALIMENTACIÓN DE 120 V



Mantenimiento y limpieza



CUIDADO: Asegúrate de que la electricidad esté apagada antes de limpiar el ventilador.

- Debido al movimiento natural del ventilador, algunas conexiones pueden aflojarse. Revisa dos veces al año las conexiones de soporte, los soportes y los accesorios de las aspas. Comprueba que estén seguros. No es necesario desmontar el ventilador del cielo raso.
- Hay que limpiar el ventilador con frecuencia para que luzca como nuevo al paso de los años. No usar agua para limpiarlo. Esto puede dañar el motor o la madera e incluso provocar una descarga eléctrica. Usar ya sólo un cepillo suave o un paño sin pelusas para evitar arañar el acabado. El revestimiento está sellado con laca para minimizar la decoloración u opacidad.
- Puedes aplicar a la madera una fina capa de pulimento de muebles para dar mayor protección y superior belleza. Cubre los arañazos diminutos con una ligera aplicación de lustrador para calzado.
- Tu ventilador no necesita lubricarse. El motor tiene cojinetes de esfera sellados y permanentemente lubricados.
- Siempre desenchufa el ventilador antes de limpiarlo, desarmarlo o darle mantenimiento.

Solución de problemas

Problema	Solución
El ventilador no enciende.	<ul style="list-style-type: none"><input type="checkbox"/> Verifica los fusibles o cortacircuitos principales y secundarios.<input type="checkbox"/> Verifica las conexiones de cables en línea al ventilador y las conexiones de cables del interruptor en la caja correspondiente.<input type="checkbox"/> Revisa la batería del control remoto.<input type="checkbox"/> Garantiza que está dentro del margen normal de 10-20 pies (3 a 6 metros).<input type="checkbox"/> Desconecta la electricidad y garantiza que coincidan las configuraciones del interruptor en el control remoto y en el receptor.
El ventilador hace ruido.	<ul style="list-style-type: none"><input type="checkbox"/> Garantiza que todos los tornillos de la carcasa del motor estén ajustados.<input type="checkbox"/> Garantiza que los tornillos que unen el soporte de aspa al motor estén bien apretados.<input type="checkbox"/> Garantiza que las conexiones de tuerca de cable no choquen unas con otras ni con la pared interior de la caja del interruptor.<input type="checkbox"/> Deja que pasen 24 horas como período de “adaptación”. La mayoría de los ruidos asociados a un ventilador nuevo desaparecen en ese lapso.<input type="checkbox"/> Si usas el kit de luz de ventilador de techo, asegura que los tornillos que sujetan el vidrio estén bien apretados. Verifica que las bombillas también estén aseguradas.<input type="checkbox"/> Garantiza que la cubierta quede a corta distancia del cielo raso. No debe tocar el cielo raso.<input type="checkbox"/> Garantiza que la caja eléctrica quede bien ajustada y se hayan instalado almohadillas aislantes de goma entre la placa de montaje y la caja eléctrica.
El ventilador oscila.	<ul style="list-style-type: none"><input type="checkbox"/> Verifica que todas las aspas y los tornillos de sus brazos estén bien ajustados.<input type="checkbox"/> La mayoría de los problemas de oscilación del ventilador traen su causa de que las aspas no están al mismo nivel. Verifica este nivel seleccionando un punto en el cielo raso sobre la punta de una de las aspas. Mide desde un punto en el centro de cada aspa a un punto en el techo. Rota el ventilador hasta que la siguiente aspa esté en posición para medir y mide desde el mismo punto en cada aspa hasta el cielo raso. Repite el procedimiento para cada aspa. Las desviaciones de la medición no deben pasar de 1/8 plg (0.32 cm). Dejar que el ventilador funcione durante diez minutos. Si el ventilador continúa oscilando, comunícate con el servicio al cliente de Hampton Bay y te enviarán un kit de compensación de aspas, sin costo alguno.

Declaración de FCC

Este equipo fue sometido a prueba y se determinó que cumple con los límites establecidos para un dispositivo digital Clase B, de acuerdo con la Parte 15 de las Normas FCC. Estos límites fueron establecidos para dar protección razonable contra la interferencia dañina en instalación residencial. Este equipo genera, consume y puede irradiar energía de radiofrecuencia; si no se instala y usa de acuerdo con las instrucciones, puede causar interferencia nociva a comunicaciones radiales. Sin embargo, no hay garantía de que no ocurrirá interferencia en determinada instalación. Si este equipo causa interferencia perjudicial a la recepción de radio o televisión, que puede determinarse encendiendo y apagando el equipo, se exhorta al usuario a tratar de corregir la interferencia mediante una o más de las siguientes medidas:

- Reorientar o reubicar la antena receptora.
- Incrementar la distancia entre el equipo y el receptor.
- Conectar el equipo a un tomacorriente de circuito distinto al que el receptor esté conectado.
- Consultar al distribuidor o algún técnico de radio/TV con experiencia.

CUIDADO:

Los cambios o modificaciones sin aprobación expresa del responsable de este dispositivo podrían anular el derecho del usuario a operar el equipo. Este dispositivo cumple con la Parte 15 de las Normas FCC. La operación está sujeta a las dos condiciones siguientes:

- (1) Este dispositivo no debe causar interferencia dañina, y
- (2) tiene que aceptar cualquier interferencia recibida, incluso aquella que pudiera causar funcionamiento no deseado.

La siguiente parte responsable designada en la norma FCC §2.909 responde por esta declaración:

Modelo # 35442-HBUM, 35442-HBUW, 35442-HBUG, 35442-HBUB

Nombre de la Compañía: Eurofase Inc

Domicilio social de la compañía: 60 Industrial Parkway, Unit 802, Cheektowaga, NY

Nombre completo: Kent Yin

Número de teléfono: 905-695-2055 Ext. 259

Título: Gerente de desarrollo del producto

Facsimil: 905-695-2056

HOME DECORATORS COLLECTION

¿Preguntas, problemas, partes o piezas faltantes? Antes de devolver a la tienda,
llamar al servicio al cliente de Home Decorators Collection de lunes a viernes,
entre 8:00 a.m. y 7:00 p.m. (hora del Este), y los sábados de 9:00 a.m. a 6:00 p.m. (hora del Este).

1-800-986 3460

[HOMEDEPOT.COM/HOMEDECORATORS](https://www.homedepot.com/homedecorators)

Conserva este manual para uso futuro