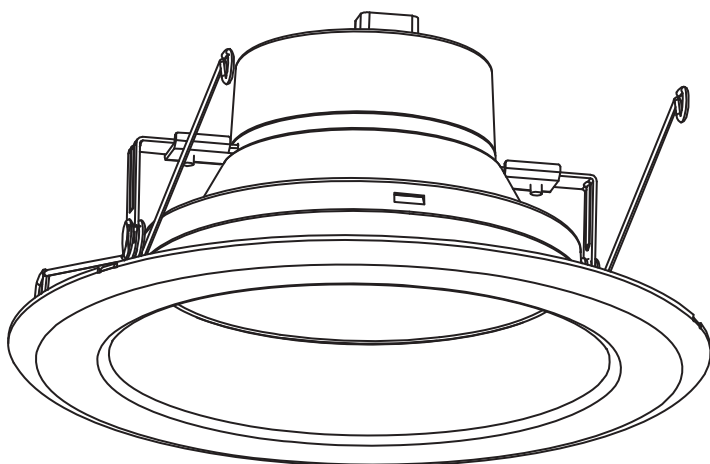


# USE AND CARE GUIDE

## 5 & 6 in. LED RECESSED DOWNLIGHT WITH INTERCHANGEABLE TRIM



Questions, problems, missing parts? Before returning to the store, call Commercial Electric Customer Service  
8 a.m. - 7 p.m., EST, Monday - Friday  
9 a.m. - 6 p.m., EST, Saturday

1-877-527-0313

HOMEDEPOT.COM

### THANK YOU

We appreciate the trust and confidence you have placed in Commercial Electric through the purchase of this LED light. We strive to continually create quality products designed to enhance your home. Visit us online to see our full line of products available for your home improvement needs. Thank you for choosing Commercial Electric!

## Table of Contents

Table of Contents .....	2	Installation .....	4
Safety Information .....	2	Installation Using Torsion Springs .....	4
Warranty .....	3	Installation Using Friction Clips .....	6
Pre-Installation .....	3	Changing the Trim Ring .....	8
Planning Installation .....	3	Care & Cleaning .....	9
Tools Required .....	3	Troubleshooting .....	9
Package Contents .....	4	Light Distribution .....	9
		Compatibility .....	10

## Safety Information

**WARNING:** Carefully read and understand the information given in this manual before beginning the assembly and installation. Failure to do so could lead to electric shock, fire, or other injuries which could be hazardous or even fatal.

**WARNING:** Ensure the electricity to the wires you are working on is shut off. Either remove the fuse or turn off the circuit breaker.

**WARNING:** Risk of fire or electric shock. Installation of this LED Retrofit Kit assembly requires a person familiar with the construction and operation of the light fixture's/luminaire's electrical system and the hazard involved. If not qualified, do not attempt installation. Contact a qualified electrician.

**WARNING:** Install this kit only in luminaires (light fixtures) that have the construction features and dimensions shown in the photographs and/or drawings included in these installation instructions, and where the input rating of the retrofit kit does not exceed the input rating of the luminaire.

**WARNING:** Do not make or alter any open holes in an enclosure of wiring or electrical components during kit installation.

**WARNING:** To prevent wiring damage or abrasion, DO NOT expose the wiring to sheet metal edges or other sharp objects.

**WARNING:** Not intended for use with emergency exit fixtures or emergency exit lights. Suitable for wet locations.

**CAUTION:** Any changes or modifications not expressly approved by the party responsible for compliance could void the user's authority to operate the equipment.

**CAUTION:** Risk of electrical shock. Do not open. There are no user serviceable parts inside. Turn the power off before inspection, installation, or removal. The lamp is suitable for use in wet locations. Use only on 120 VAC, 60 HZ circuits.

**NOTICE:** Each light shall be installed only in its intended manner and orientation. Not all existing recessed cans that meet these requirements will be compatible with Commercial Electric recessed LED Trim. To ensure compatibility, a test installation should be conducted. The minimum starting temperature is -4 °F.

**NOTICE:** This device complies with part 15 of the FCC Rules. Operation is subject to the following two conditions:

- This device may not cause harmful interference, and
- This device must accept any interference received, including interference that may cause undesired operation.

This equipment has been tested and found to comply with the limits for a Class B digital device, pursuant to Part 15 of the FCC Rules. These limits are designed to provide reasonable protection against harmful interference in a residential installation. This equipment generates, uses and can radiate radio frequency energy and, if not installed and used in accordance with the instructions, may cause harmful interference to radio communications. However, there is no guarantee that interference will not occur in a particular installation. If this equipment does cause harmful interference to radio or television reception, which can be determined by turning the equipment off and on, the user is encouraged to try to correct the interference by one or more of the following measures:

- Reorient or relocate the receiving antenna
- Increase the separation between the equipment and the receiver.
- Connect the equipment into an outlet on a circuit different from that to which the receiver is connected.
- Consult the dealer or an experienced radio/TV technician for help.

## Warranty

### THREE-YEAR LIMITED WARRANTY

The manufacturer warrants this lighting fixture to be free from defects in materials and workmanship for a period of three (3) years from date of purchase. This warranty applies only to the original consumer purchaser and only to products used in normal use and service. If this product is found to be defective, the manufacturer's only obligation, and your exclusive remedy, is the repair or replacement of the product at the manufacturer's discretion, provided that the product has not been damaged through misuse, abuse, accident, modifications, alterations, neglect, or mishandling.

### WHAT IS NOT COVERED

This warranty shall not apply to any product that is found to have been improperly installed, set-up, or used in any way not in accordance with the instructions supplied with the product. This warranty shall not apply to a failure of the product as a result of an accident, misuse, abuse, negligence, alteration, faulty installation, or any other failure not relating to faulty material or workmanship. This warranty shall not apply to the finish on any portion of the product, such as surface and/or weathering, as this is considered normal wear and tear.


The manufacturer does not warrant and specifically disclaims any warranty, whether express or implied, of fitness for a particular purpose, other than the warranty contained herein. The manufacturer specifically disclaims any liability and shall not be liable for any consequential or incidental loss or damage, including but not limited to any labor / expense costs involved in the replacement or repair of said product.


Contact the Customer Service Team at 1-877-527-0313 or visit [www.HomeDepot.com](http://www.HomeDepot.com)

## Pre-Installation

### PLANNING INSTALLATION

Before beginning assembly, installation or operation of product, make sure all parts are present. Compare parts with the package contents list. If any part is missing or damaged, do not attempt to assemble, install or operate the product. Contact customer service for replacement parts.

 **WARNING:** Shut off the power at the circuit breaker or fuse panel before removing the old fixture.

 **NOTE:** Keep your receipt and these instructions for proof of purchase.

### TOOLS REQUIRED



 Phillips  
screwdriver



Safety  
Goggles



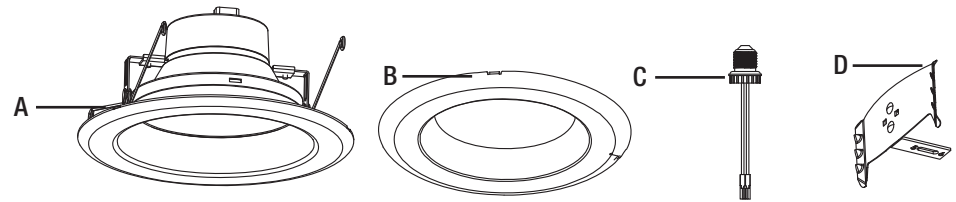
Gloves



Ladder

## Pre-Installation (continued)

### PACKAGE CONTENTS

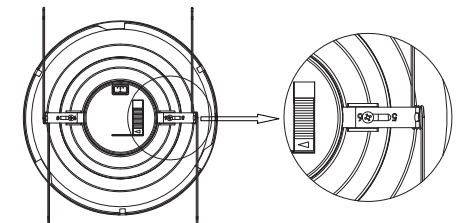
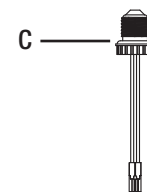
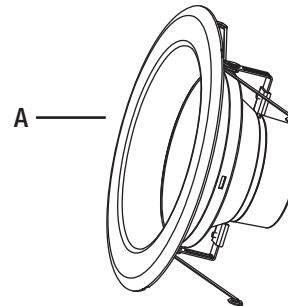


Part	Description	Quantity
A	LED Downlight	1
B	Trim Ring (Dark Bronze)	1
C	Medium Base (E26) Socket Adapter	1
D	Friction Clip	2

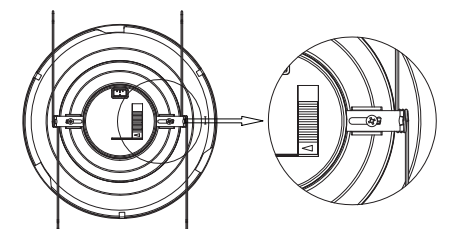
## Installation Using Torsion Springs

### 1 Preparing the LED Downlight

- Remove the fixture (A & C) from the packaging.
- The factory setting of the torsion spring is for a 6 in. housing.



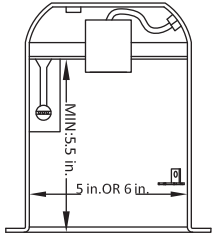
- If using a 5 in. housing, loosen the screws on the torsion spring and slide the brackets outward. Re-tighten the screws to secure the torsion spring in place.



## Installation Using Torsion Springs (continued)

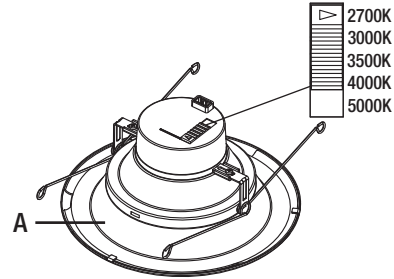
### 2 Preparing the Installation Location and Compatible Housing

- Remove the existing trim and bulb from the housing, revealing the existing socket.
- Locate the socket in your existing recessed housing and remove any screws that prevent the socket bracket from being removed.



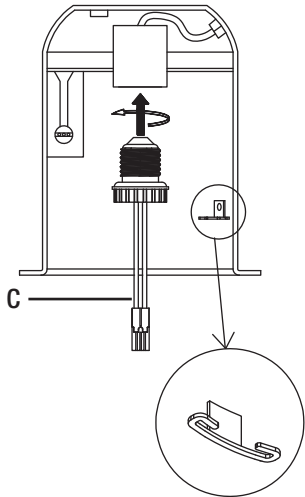
### 3 Selecting the Correlated Color Temperature (CCT)

- Before installation, select your preferred CCT by moving the switch to either 2700 K, 3000 K, 3500 K, 4000 K, or 5000 K.



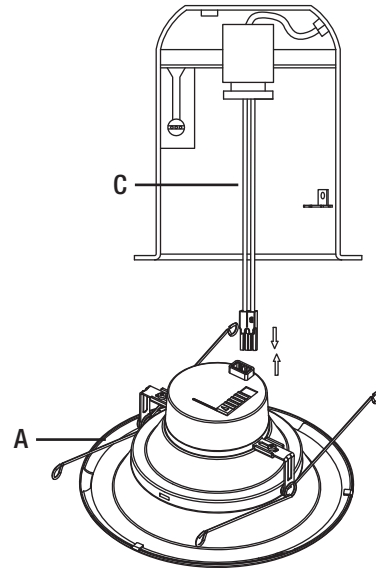
### 4 Connecting the Socket Adapter

- Screw the medium base (E26) socket adapter (C) into the socket in the recessed housing.



### 5 Connecting the Cables

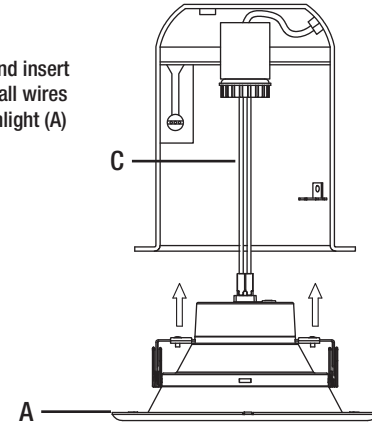
- Insert the orange female connector on the LED downlight (A) into the orange male connector on the socket adapter (C) screwed into the compatible housing.



## Installation Using Spring Clips (continued)

### 6 Finishing the Installation

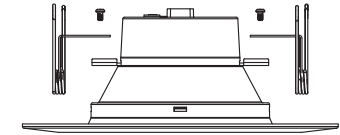
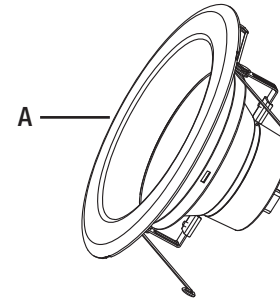
- Squeeze both torsion spring arms together and insert into the torsion spring slots of the can. Tuck all wires into the can and carefully push the LED downlight (A) into the can.



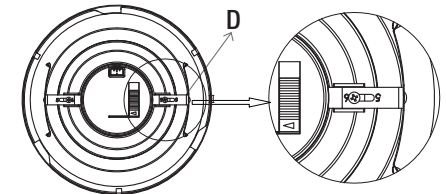
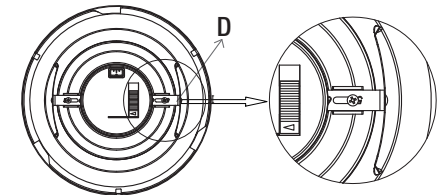
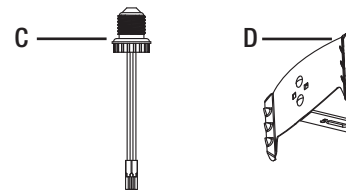
## Installation Using Friction Clips

### 1 Preparing the LED Downlight

- Remove the fixture (A, C & D) from the packaging.
- Unscrew the two spring clips and remove them.



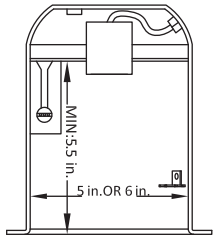
- Install two friction clips (D) onto the fixture. For a 5 in. housing or 6 in. housing, tighten the screws into the holes using a Phillips screwdriver.



## Installation Using Friction Clips (continued)

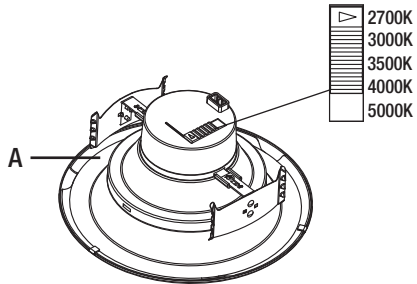
### 2 Preparing the Installation Location and Compatible Housing

- Remove the existing trim and bulb from the housing, revealing the existing socket.
- Locate the socket in your existing recessed housing and remove any screws that prevent the socket bracket from being removed.



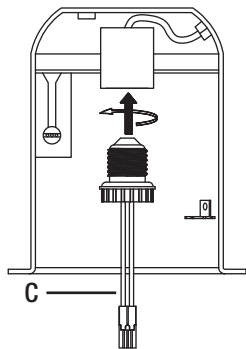
### 3 Selecting the Correlated Color Temperature (CCT)

- Before installation, select your preferred CCT by moving the switch to either 2700 K, 3000 K, 3500 K, 4000 K, or 5000 K.



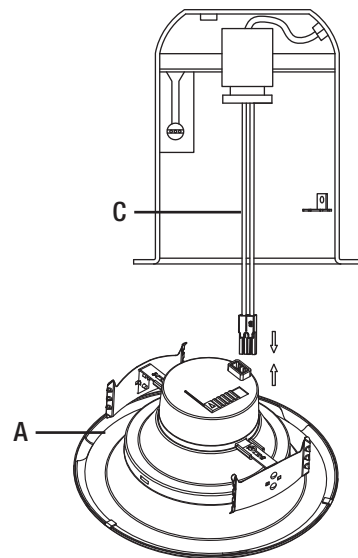
### 4 Connecting the Socket Adapter

- Screw the medium base (E26) socket adapter (C) into the socket in the recessed housing.



### 5 Installing the Downlight

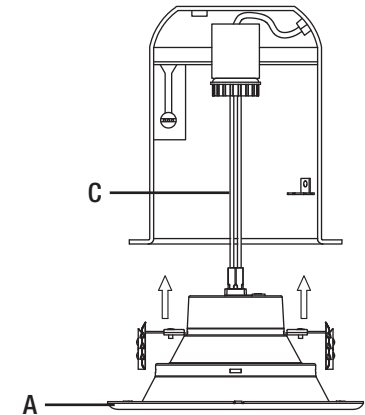
- Insert the orange female connector on the LED downlight (A) into the orange male connector on the socket adapter (C) screwed into the compatible housing.



## Installation Using Friction Clips (continued)

### 6 Finishing the Installation

- Insert into the friction blades slots of the can. Tuck all wires into the can and carefully push the LED downlight (A) into the can.



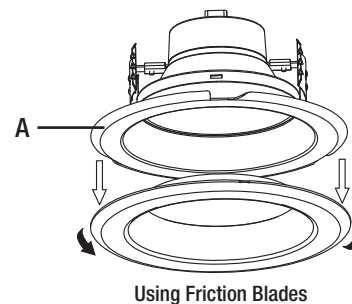
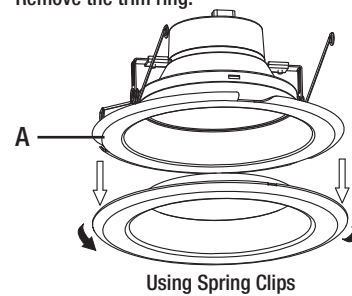
## Changing the Trim Ring



**NOTE:** If you want to change the trim ring, please do this before installation.

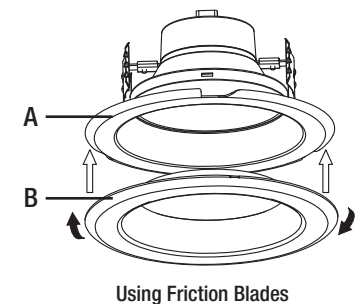
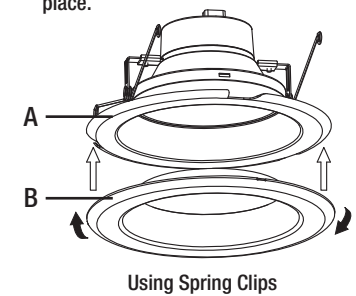
### 1 Separating the Trim Ring from the Fixture Body

- Turn the trim ring counterclockwise to separate the trim ring from the fixture body (A).
- Remove the trim ring.



### 2 Attaching the New Trim Ring to the Fixture Body

- Prepare the new trim ring (B).
- Turn the trim ring (B) clockwise until it locks into place.



## Care & Cleaning



**CAUTION:** Before attempting to clean the fixture, disconnect the power to the fixture by turning the breaker off or removing the fuse from the fuse box.

- Clean the fixture with a soft, dry cloth.
- Do not use cleaners with chemicals, solvents, or harsh abrasives.

## Troubleshooting



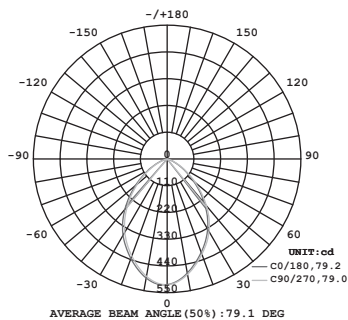
**WARNING:** Before doing any work on the fixture, disconnect power to the light fixture by turning the breaker off or removing the fuse from the fuse box.

Minor problems often can be fixed without the help of an electrician.

Problem	Possible Cause	Corrective Action
The fixture will not light.	The power is off.	Ensure the power supply is on.
	The circuit breaker is off.	Ensure the circuit breaker is in the on position.
	There is a bad connection.	Check to ensure proper wire connections are made. Contact a qualified electrician.
	There is a defective switch.	Contact a qualified electrician.
The fuse blows or the circuit breaker trips when the light is turned on.	The wires are crossed or the power wire is grounding out.	Check the wire connections. Contact a qualified electrician or call Commercial Electric customer service 1-877-527-0313.

## Light Distribution

Model	Input Volts (V)	Input Frequency (Hz)	Input Watts (W)
NT01aA13FR1-259	120	60	12.5



## Compatibility

### FOR USE WITH HOUSING MODELS:

COMMERCIAL ELECTRIC - HBR5ICAT, HBR5ICRAT, CAT7ICATA, CAT71CRM; CORDELIA - X5LIC1, X5LICRAT, HBR7LICAT, HBR7LICRAT; CAPRI - CRI, CRR1; DMF - DH6ICATQ, DH6ICRATQ; ELCO - EL5ICA, EL5RICA; ELITE - B5, B5R, B5IC, B5RIC, B6IC, B6RIC; LITHONIA - L5, L5R, EL7ICA, EL7RICA, L7X, L7XR; NORA - NHIC-17QAT, NHRIC-17QAT; SEA GULL - RETROFIT TRIM 11018, 11028; THOMAS - PS1, PS1-RM; ALLPRO - APEI700AT; HALO - H5T, H5RT, H5ICT, H5RICAT, C7IC, C7ICR, C7ICA, C7ICRA, C7, C7R, C7S, HBR5000SIC; HALO - H7ICT, H7RICT, H7ICAT, H7RICAT, H7T, H7RT, H27ICT, H27T, H27RT, H550ICAT, H550RICAT, H750ICAT, H750RICAT.

### DIMMING

Dimming performance may depend on the dimmer, the dimmer range adjustment setting (for dimmers with brightness range adjustments), the wiring method, and/or the number of LED modules installed onto the dimmer circuit.

- For dimmer selection, it is recommended to use one of the following dimmers: Leviton Decora SureSlide® - 6672, 6631, 6674 (Universal); Lutron Ariandni®/Toggler® - TGCL-153P, TG600P; Lutron Diva® - DVWCL-153P, DVCL-153P; Lutron Maestro® - MACL-153M; Lutron Skylark Contour® - CTCL-153P, S-600P, SCL-153P.
- For best results, it is recommended to install a minimum of four LED modules onto one dimmer.
- Before turning on the LED lights, set dimmer position at maximum before adjusting to a lower light level.
- Please follow the dimming control manufacturer's instructions for the installation, of all dimming controls.

FCC compliance information is listed as below:

Responsible party: Leedarsen America, Inc.

Responsible party address: 300 Technology Court SE Suite 100, Smyrna, GA 30082

Telephone number: (678) 293-8382



Questions, problems, missing parts? Before returning to the store,  
call Commercial Electric Customer Service  
8 a.m. - 7 p.m., EST, Monday - Friday  
9 a.m. - 6 p.m., EST, Saturday

1-877-527-0313

[HOMEDEPOT.COM](http://HOMEDEPOT.COM)

Retain this manual for future use.