

Performance 2.0 Series



Warning: Excessive weight hazard!

Use two or more people to move, assemble, or install cabinets and locker to avoid back injury. Do not leave children unattended near cabinets. High risk of tipping if cabinets are installed incorrectly: securely attach cabinets to the wall to avoid serious injury. For assistance, call 1.877.306.8930; for U.K 0800.031.4069; e-mail at info@newageproducts.com.



ATTENTION: Is your cabinet damaged? Need help or spare parts? For fastest service, contact NewAge Products at 1-877-306-8930; or support@newageproducts.com. Do not return to the retailer.

INDEX

Product Overview:

[Unpacking - 3](#)

[Tools Needed - 3](#)

[Included Quantities - 4](#)

[Included Parts - 4](#)

[Weight Capacity - 5](#)

[Worktop Options - 5](#)

[Installation Options - 6](#)

Installation Overview:

[Floor Installation - 7](#)

[Wall Mount Installation - 8](#)

[Slatwall Installation - 9](#)

[Sets with Casters - 10](#)

[Corner Set Installation - 11](#)

Hanging Wall Cabinets:

[On Studded Wall - 12](#)

[On Slatwall - 13](#)

Securing Wall Cabinets:

[To Wall - 14](#)

[To Other Cabinets - 15](#)

[Fastening Cabinets on Casters - 16](#)

Installing Worktop:

[Standard installation on cabinets - 17](#)

[Using Support Brackets - 18](#)

[Corner Worktop - 19](#)

General Assembly:

[Feet & Levelling cabinets - 20](#)

[Casters - 21](#)

[Drawers - 22](#)

[Handles - 23](#)

[Stacking - 24](#)

[Closet Rod - 25](#)

[Shelves - 26](#)

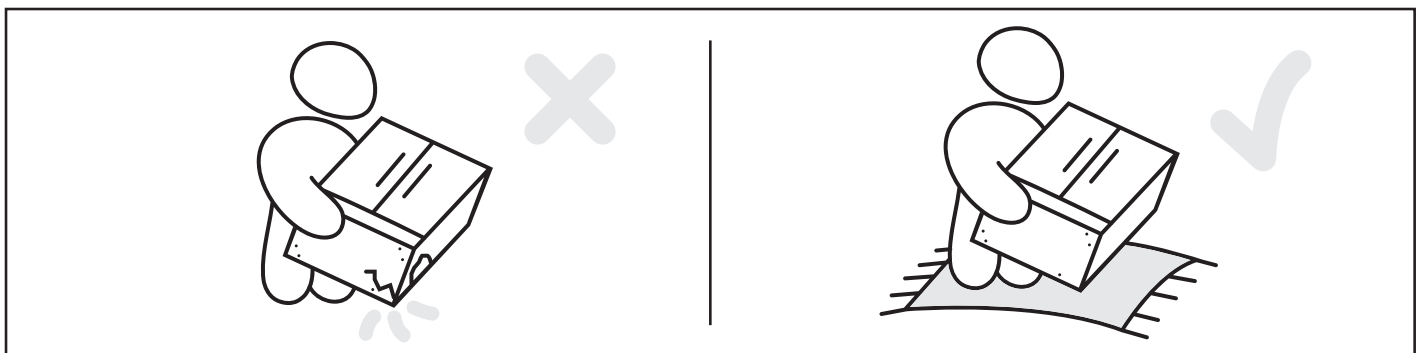
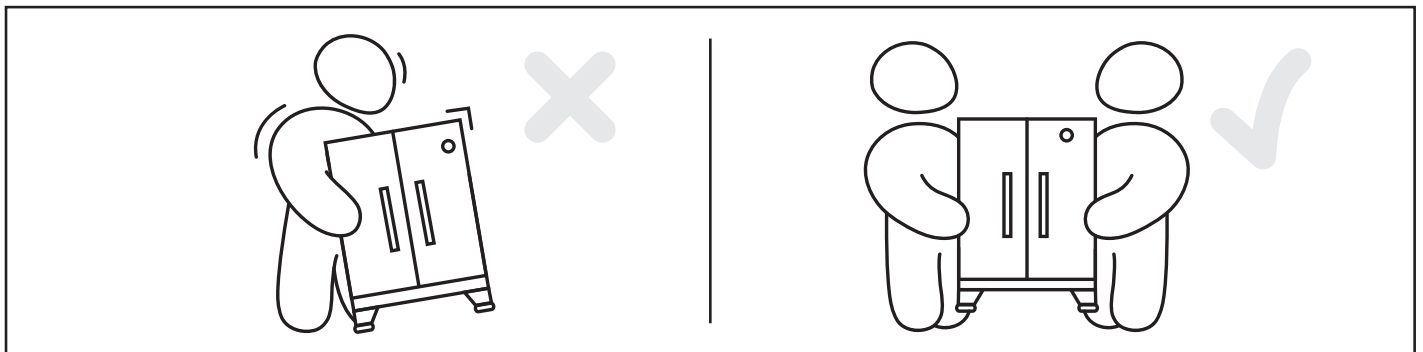
[Utility hole - 27](#)

[Magnetic Racing Stripe - 28](#)

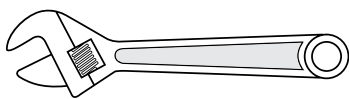
[Warranty - 29](#)

Unpacking

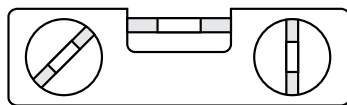
- Begin by placing the package on a covered flat surface.
- Remove all cardboard, foam packaging material and clear plastic bags.
- Dispose / recycle all packaging materials.
- Verify all the contents in the box and gather the required tools. See "Tools Needed", and "Included Quantities" list.



Tools Needed



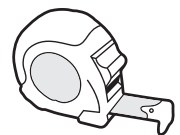
1 x Adjustable wrench



1 x 12" Magnetic Level



1 x Stud Finder



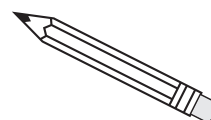
1 x Tape Measure



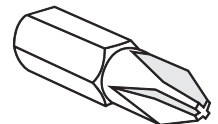
1 x 7/16" Socket driver wrench



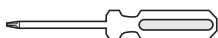
1 x 7/16" socket



1 x Pencil



1 x #2 Phillips Bit



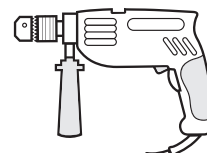
1 x #2 Phillips head screwdriver



1 x
6 mm or 3/16"
drill bit



1 x Cordless Power Drill



1 x Hammer Drill

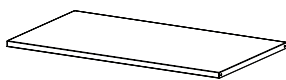


1 x Masonry Bit
[optional for masonry]

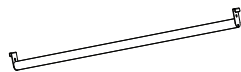
Included Quantities

	Base Cabinet	30in Locker	Wall	Corner Wall	Mobile Tool Drawer	42in Locker
Hardware Pack	1	1	1	1	1	1
Cabinet Leg	4	4	0	0	0	4
Leveling Foot	4	4	0	0	0	4
Adjustable Steel Shelves	1	3	0	0	0	3
Handles	2	2	0	0	4	2
Closet Rod	0	1	0	0	0	1
Locker Support Bracket	0	1	0	2	0	1
Joining Bracket	1	0	0	2	0	0
Worktop Wall Support	0	0	0	2	0	0
EVA Foam Drawers Liners	0	0	0	0	4	0
Utility Hole Grommet	1	1	0	0	0	1
NewAge Logo	1	1	1	1	1	1
4in Casters	0	0	0	0	4	0

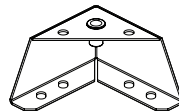
Individual Parts



Adjustable Steel Shelves



Closet Rod



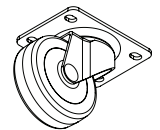
Cabinet Leg



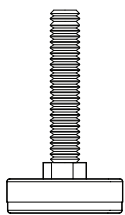
Handle



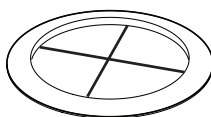
Locker Support Bracket



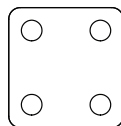
4in Casters



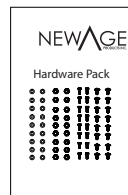
Leveling Foot
(M10 x 65mm)



Utility Hole Grommet



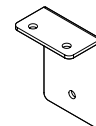
Joining Bracket



Hardware Pack



NewAge Logo



Worktop Wall Support



EVA Foam Drawer Liners

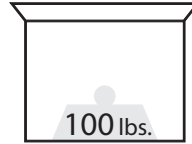
Weight Capacity



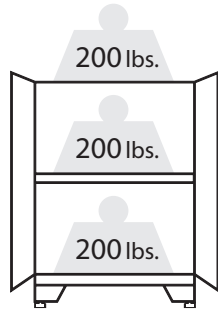
250 lbs per foot.
1000 lbs. per Set of 4



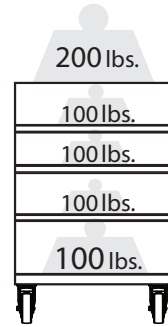
150 lbs. per 3" Caster
500 lbs. per Set of 4



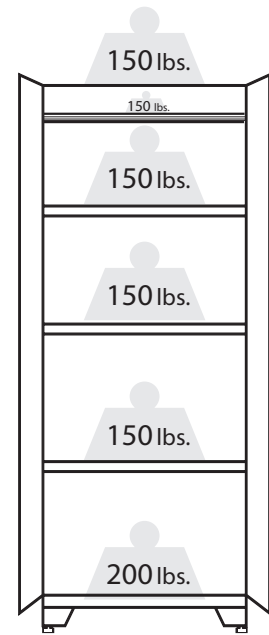
Wall Cabinets
Max 100 lbs.



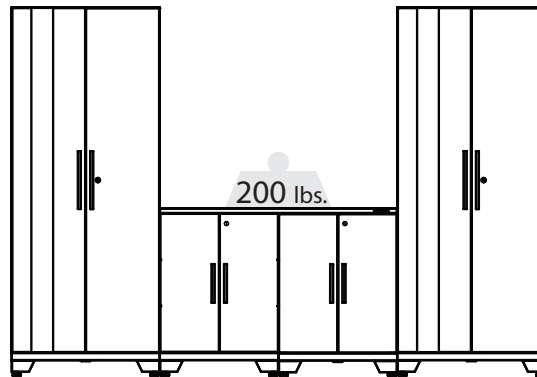
Base Cabinet
Max 600 lbs.



Tool Cabinet
Max 600 lbs.

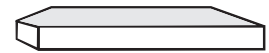


Locker
Max 800lbs.



Worktop on Cabinets
Max 200 lbs. / Cabinet

Worktop Options



21" Corner Worktop



48" Worktop. Fits over 2 Cabinets



72" Worktop. Fits over 3 Cabinets

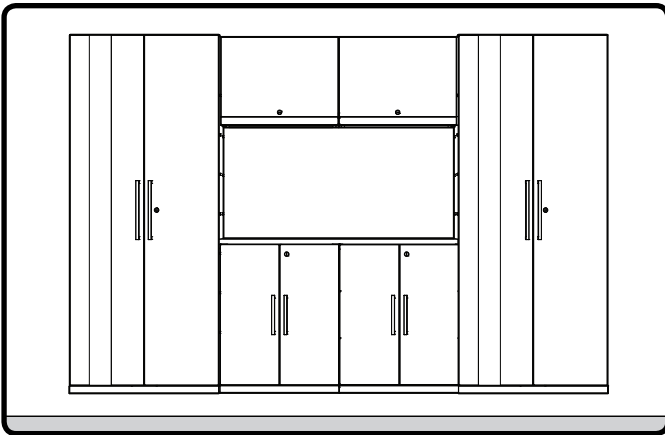
Installation options for Cabinets

i **Important information:** Please read before beginning installation.

- Layouts shown are only examples. All cabinets are mobile and can be configured in a variety of different layouts.
- Plan layout and measure space before installing.
- Locate wall studs prior to installation.
- Consider the location of electrical outlets when planning layout.
- Measure height of cabinets for clearance.
- Base cabinets can be mounted flush front or flush back with Locker cabinets.

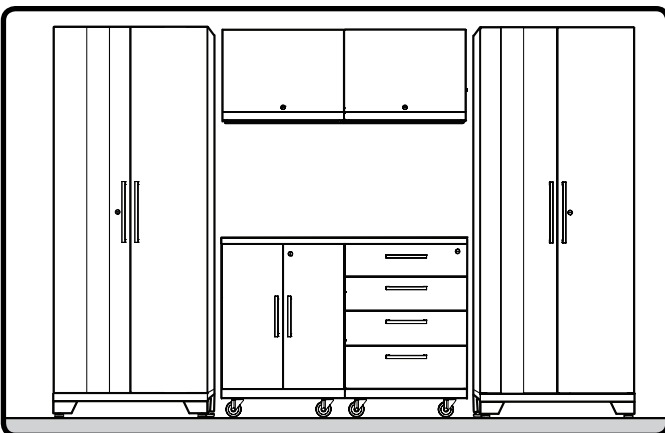
Option 2. - see [page 8](#).

Wall mount cabinets off floor.



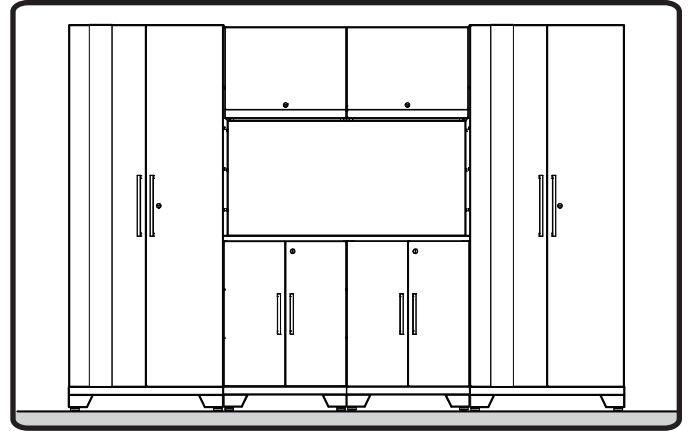
Option 4. - see [page 10](#)

Sets with casters and adjustable leveling legs.
Note: Casters cannot be installed on Locker cabinets. Casters not included in all sets.



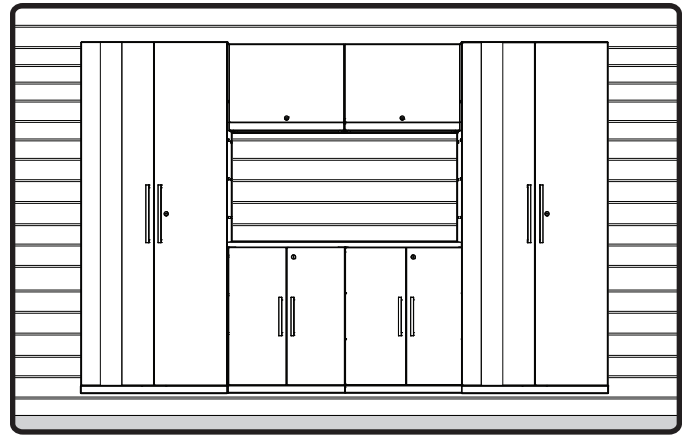
Option 1. - see [page 7](#).

Floor mount with adjustable levelling legs.



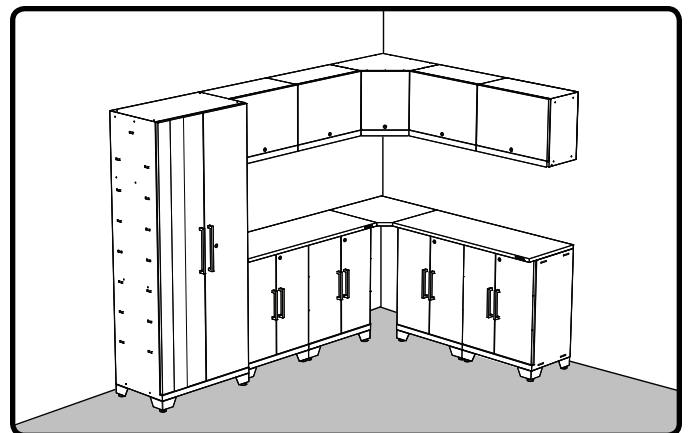
Option 3. - see [page 9](#).

Wall mount on slatwall using slatwall brackets (sold separately).



Option 5. - see [page 11](#)

Corner set installation. **Note:** Corner cabinets can be installed using all installation options.



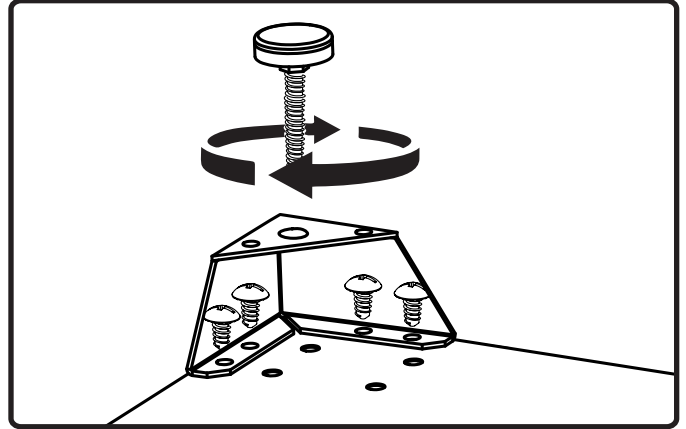
Option 1

Floor Installation Overview

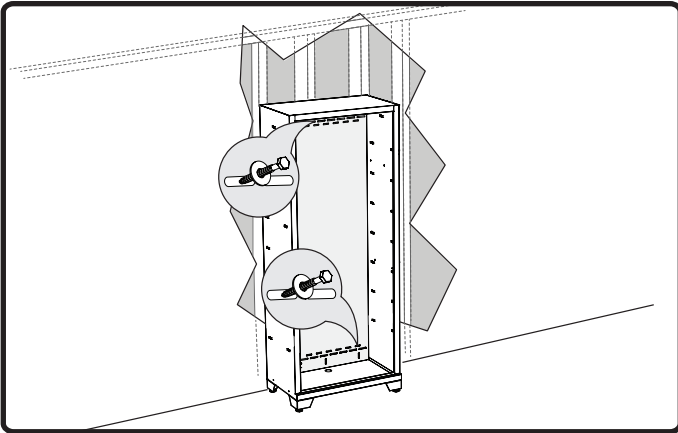
i Plan layout before installing cabinets.

- It is recommended to begin installation with Locker cabinet.
- Cabinets must be fully secured to wall using (4) wall screws per cabinet.
- Casters can not be installed on locker cabinets.

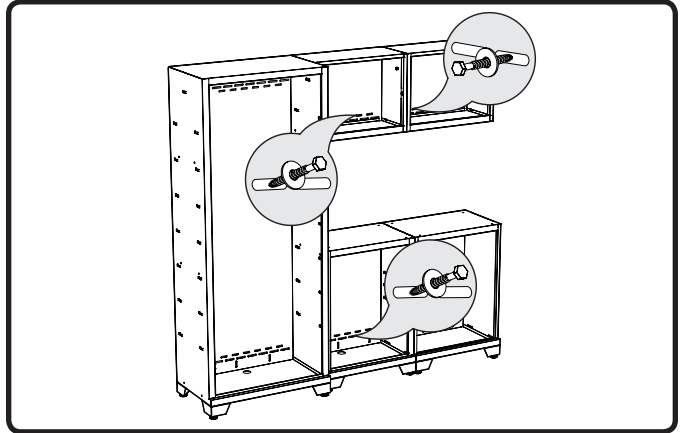
1 Attach feet to cabinets. See feet installation on [page 20](#).



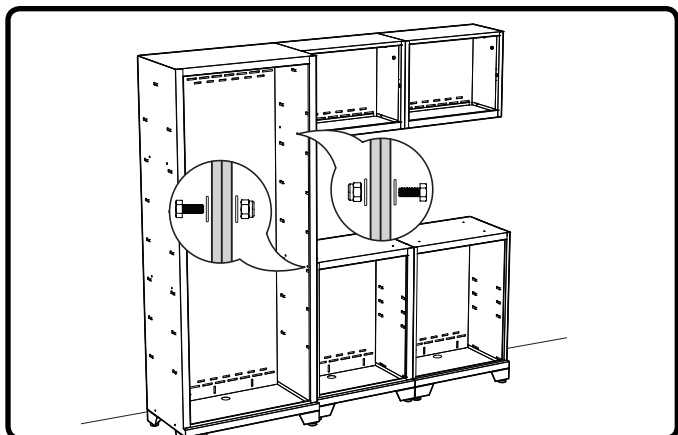
2 Begin by securing Locker cabinet to wall in determined position. See [Page 14](#) for full instructions.



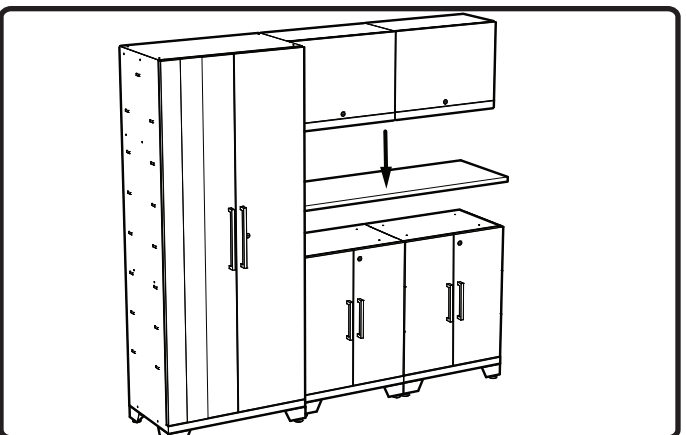
3 Position and secure remaining cabinets to wall. Install cabinets one at a time. See [Page 14](#) for full instructions.



4 Attach cabinets together. See [page 15](#) for detailed fastening instructions.



5 Attach worktop. See [page 17](#) for full instructions.



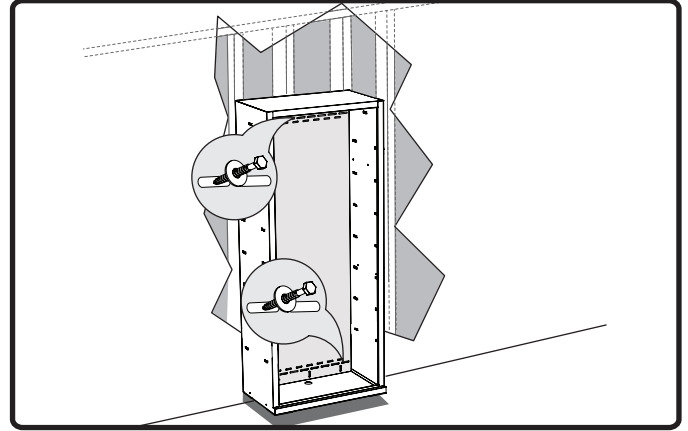
Option 2

Wall Mount Installation Overview

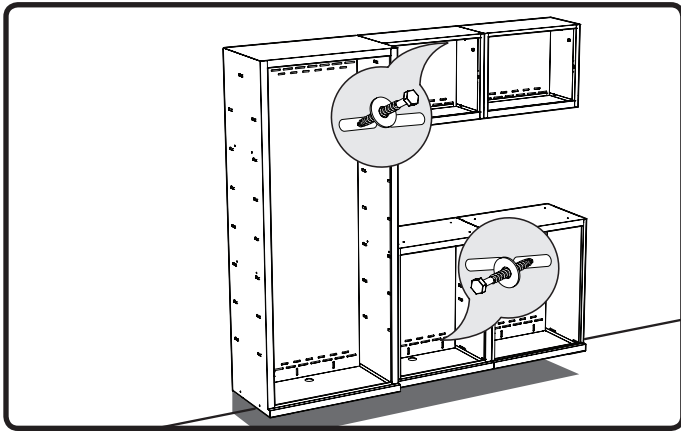
i Plan layout before installing cabinets.

- Determine height cabinets will be installed off the ground.
- It is recommended to begin installation with Locker cabinet.
- Install cabinets one at a time.
- Cabinets must be fully secured to wall using (4) wall screws per cabinet.

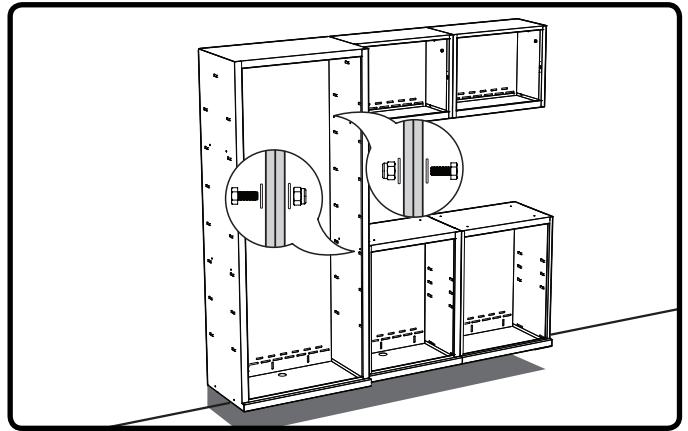
1 Begin by attaching Locker cabinet to wall. See [page 12](#) for full instructions on hanging cabinets.



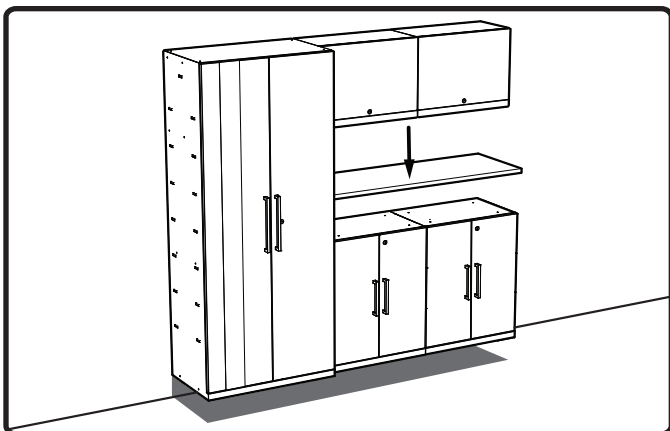
2 Position and secure remaining base cabinets, and wall cabinets to wall. See [page 12](#).



3 Attach cabinets together. See [page 15](#).



4 Attach worktop. See [page 17](#) for full instructions.



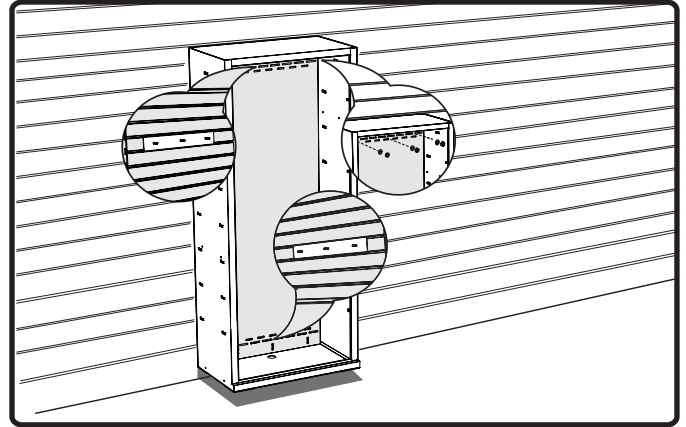
Option 3

Slatwall Installation Overview

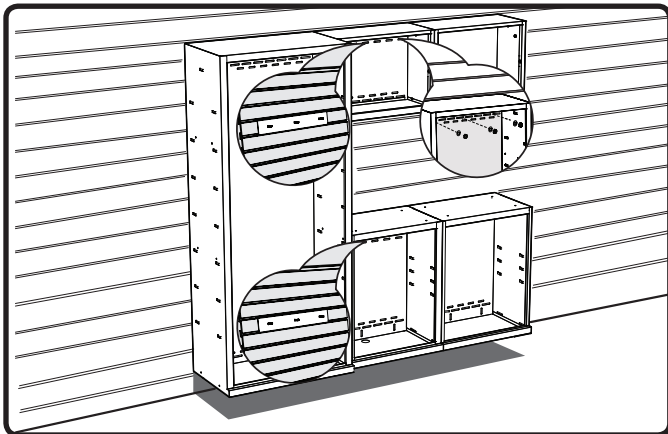
i Plan layout before installing cabinets.

- Determine height cabinets will be installed off the ground.
- Slatwall bracket sold separately
- Slatwall brackets for use with standard 3" slatwall.
- Check slatwall manufacturer for rated load capacity.
- Do not overload.

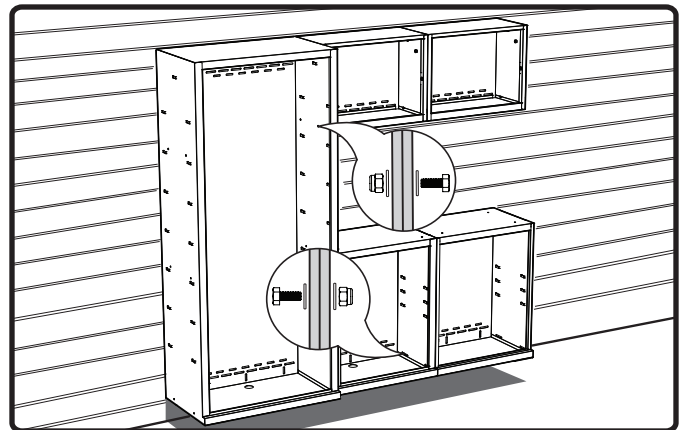
1 Begin by attaching locker cabinet to slatwall using slatwall bracket. See [page 13](#) for slatwall hanging instructions.



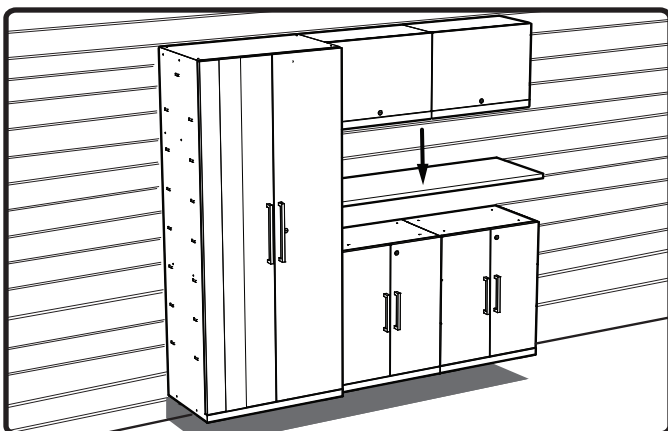
2 Position and secure remaining base cabinets, and wall cabinets.



3 Attach cabinets together. See [page 15](#).



4 Attach worktop. See [page 17](#) for full instructions.



i Slatwall brackets sold separately. See below for quantities needed.

- Locker and Base Cabinets - per cabinet (2) x 24" Slatwall Brackets. Part # 50979
- Wall Cabinets - per cabinet (1) x 24" Slatwall Brackets. Part # 50979
- Corner Wall Cabinets - per cabinet (2) x 12" Slatwall Cabinets. Part # 50980

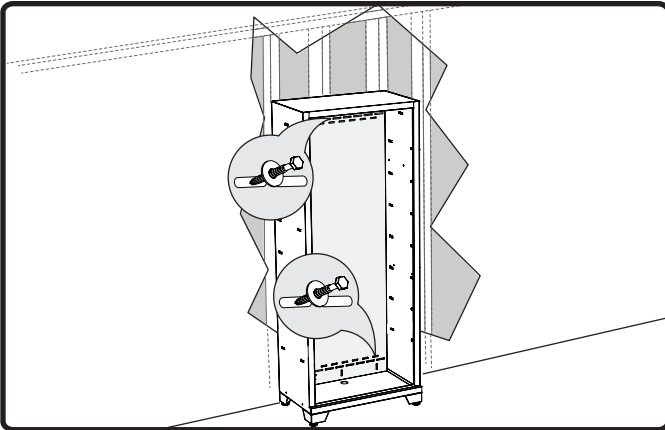
Option 4

Caster Set Installation Overview

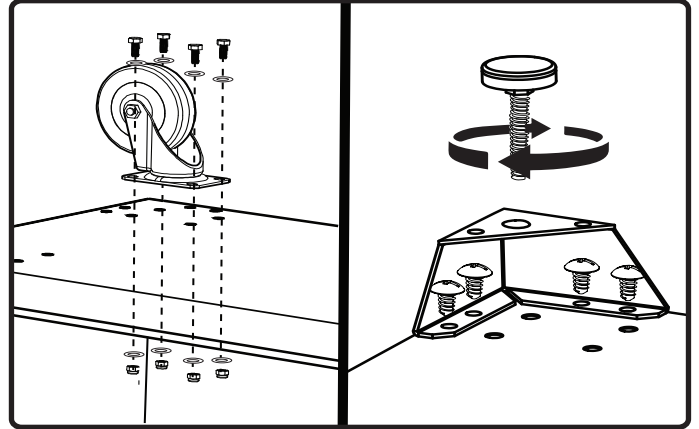
i Plan layout before installing cabinets.

- It is recommended to begin installation with Locker cabinet.
- Install cabinets one at a time.
- Locker and wall cabinets must be fully secured to wall using (4) wall screws per cabinet.
- Casters not included in all sets.

2 Begin by securing Locker cabinet to wall in determined position. See [Page 14](#) for full instructions.

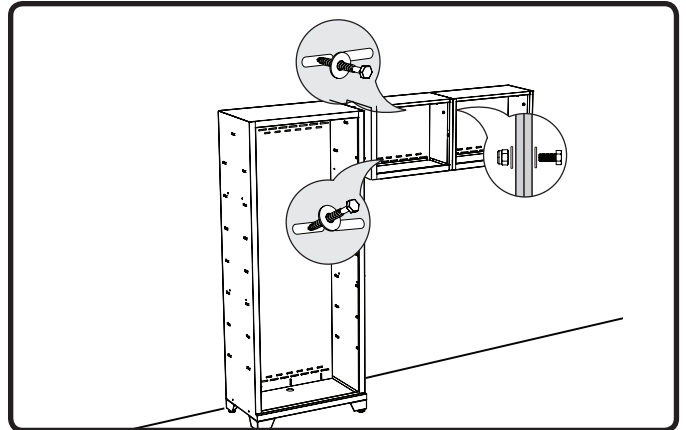


1 Attach feet to locker cabinets. Attach casters to base cabinets. See full installation on [pages 20 & 21](#).

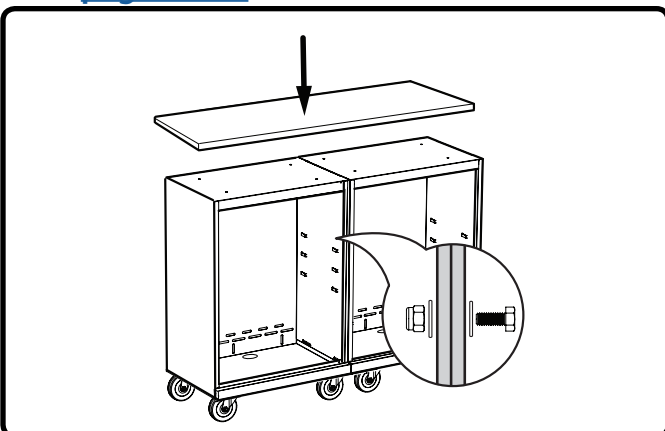


Secure wall cabinets to wall and fasten together.

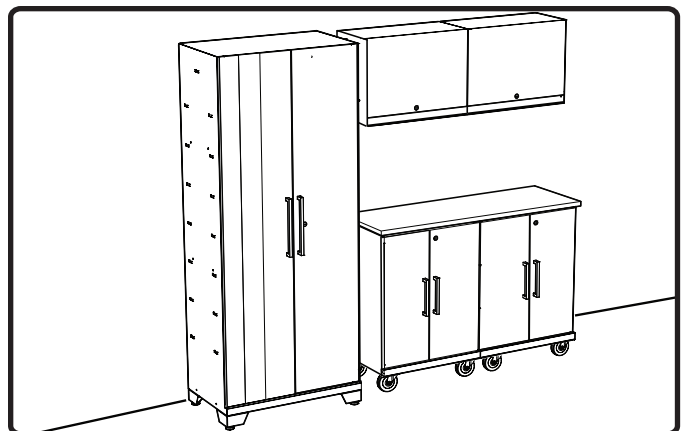
3 A gap of 2" is recommended between wall and locker to allow clearance for cabinets on casters. See [page 14 & 15](#) for full instructions.



4 Attach base cabinets together using joining plate and attach worktop. See [page 16-17](#).



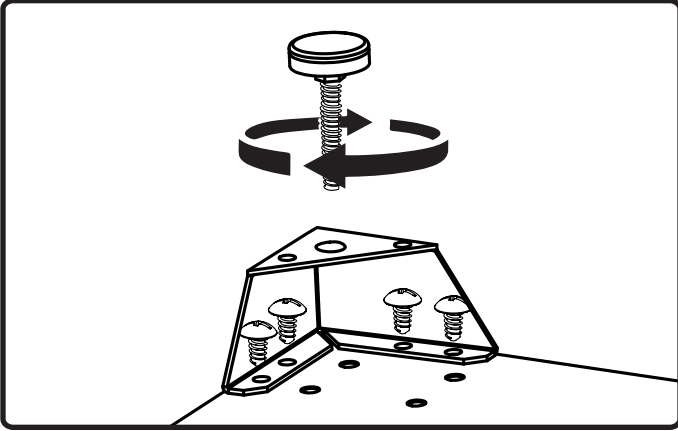
5 Position cabinets.



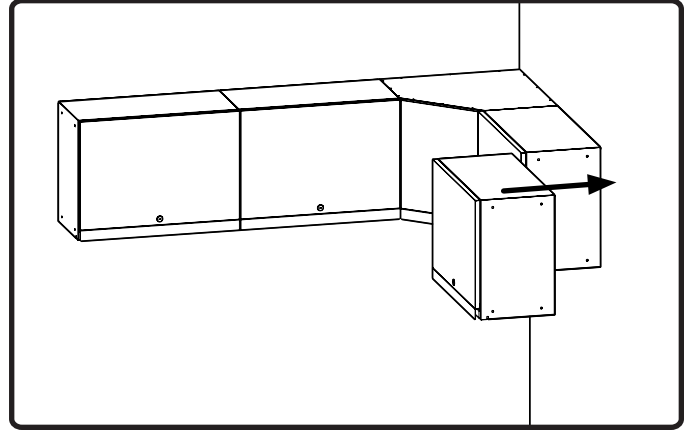
Option 5

Corner Cabinet Installation Overview

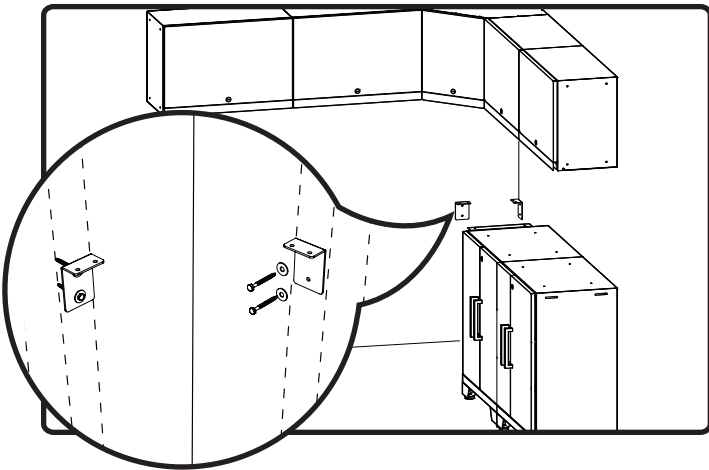
- 1** Attach feet to cabinets. See full feet installation on [page 20](#).



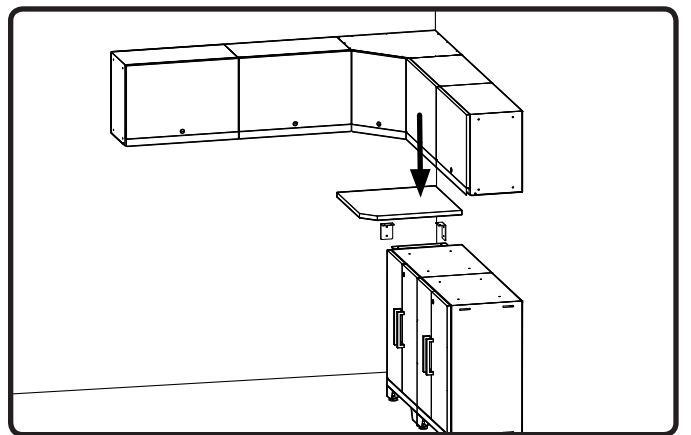
- 2** Install corner wall cabinets followed by remaining wall cabinets. See full instructions on [page 14](#).



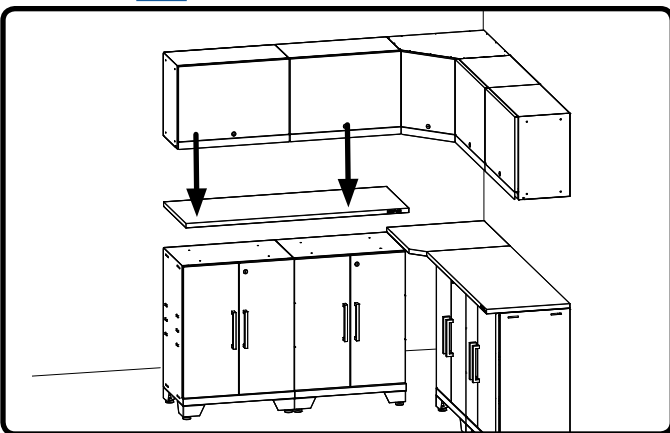
- 3** Install corner worktop supports and base cabinets. See [page 19](#).



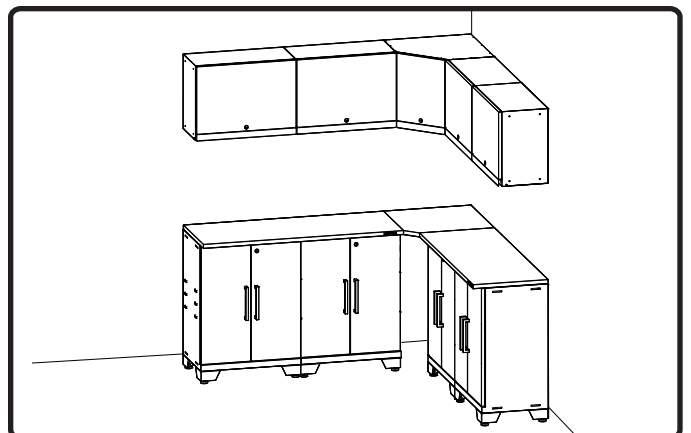
- 4** Install corner worktop. See [page 19](#).



- 5** Position, secure and attach all remaining cabinets and worktops. See [pages 14, 15](#) and [17](#).



- 6**



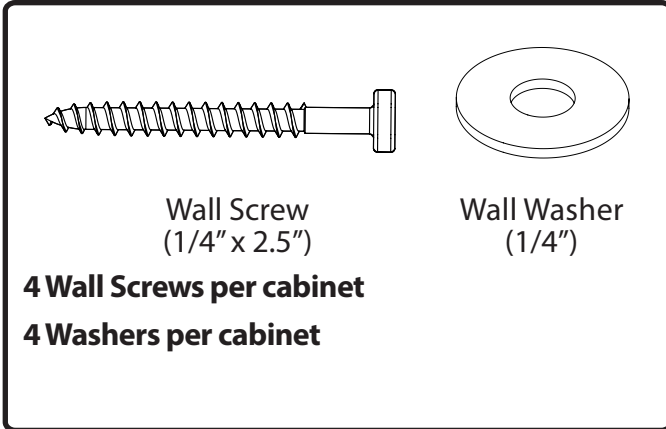
Hanging Cabinets on Studded Wall



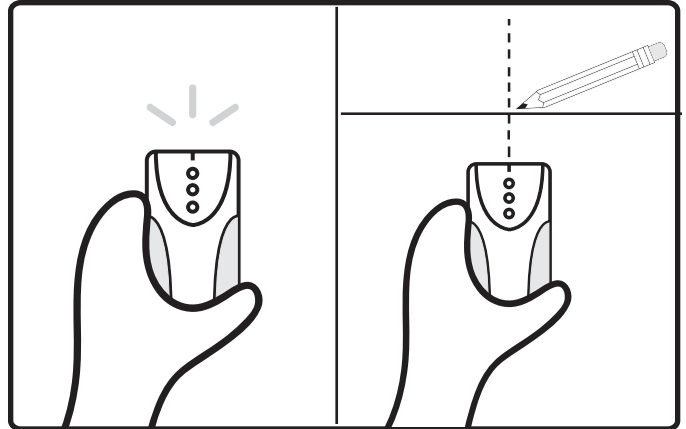
Note:

Do not load cabinet without first securing to the wall.

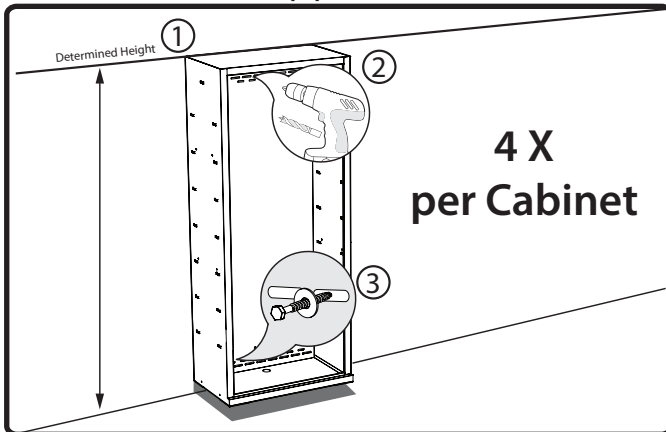
1 Gather parts.



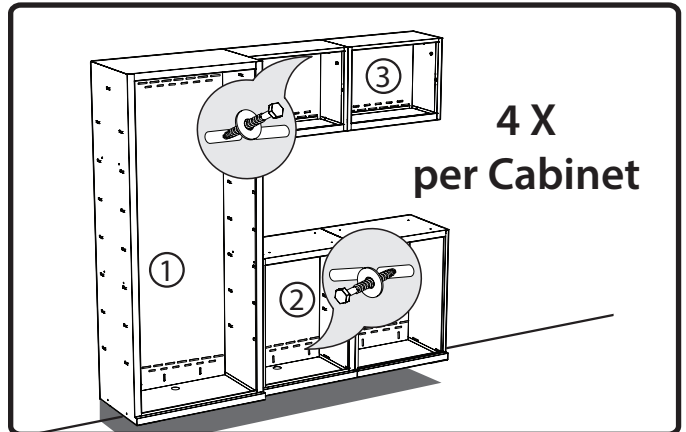
2 Use stud finder to locate the studs and mark a line on the wall with a pencil at desired height.



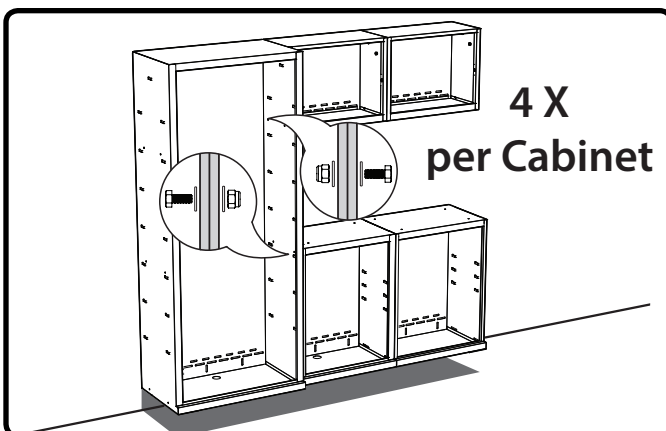
3 Begin by attaching locker to wall. Line up top of cabinet with pencil line(1), and pre-drill 3/16" (6mm) holes into studs through holes in cabinet(2). Use wall screws to secure to wall(3).



4 Attach remaining base cabinets (2), and wall cabinets(3) to wall using same method as locker cabinet(1) attachment.



5 Finish by fastening cabinets together. See [page 15](#) for detailed instructions.



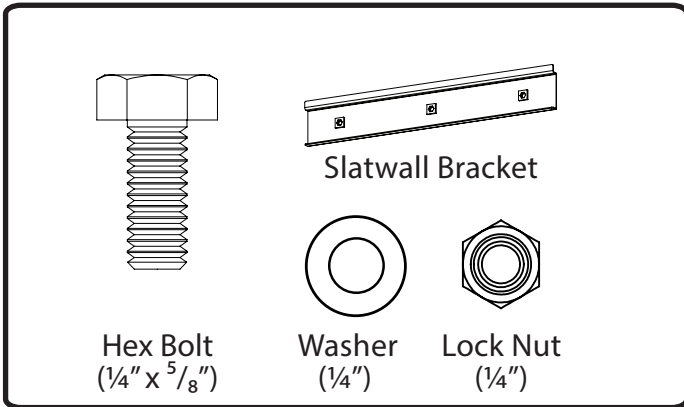
i Masonry.

- Follow steps 3 to 5.
- Drill 4 pilot holes through the perforated strip with hammer drill & masonry bit.
- Use 4 x (2 1/4" x 1/4") Tapcon Concrete Anchor into wall. (Not Included)
- OR 4 x (#10 x 2") Screw with 3/16" masonry plug into wall. (Not Included)
- Follow Step 6.

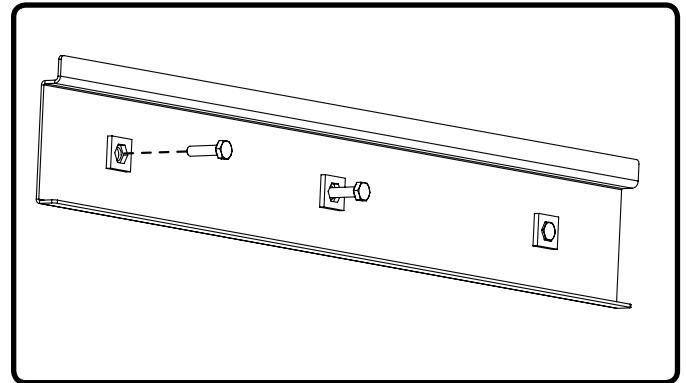
Hanging Cabinets on Slatwall

Note: Slatwall Brackets for use with standard 3" slatwall **Sold Separately**. Check with your slatwall supplier to determine the rated capacity of your slatwall. **DO NOT OVERLOAD.** **NewAge Slatwall Brackets are only compatible with standard 3" on center Slatwall.**

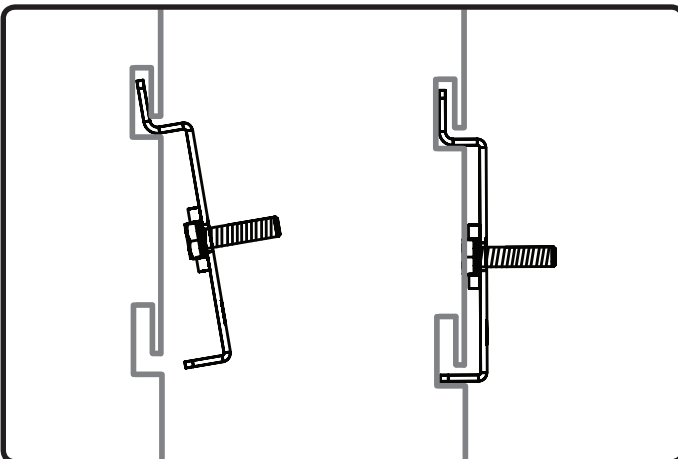
i Parts Needed.



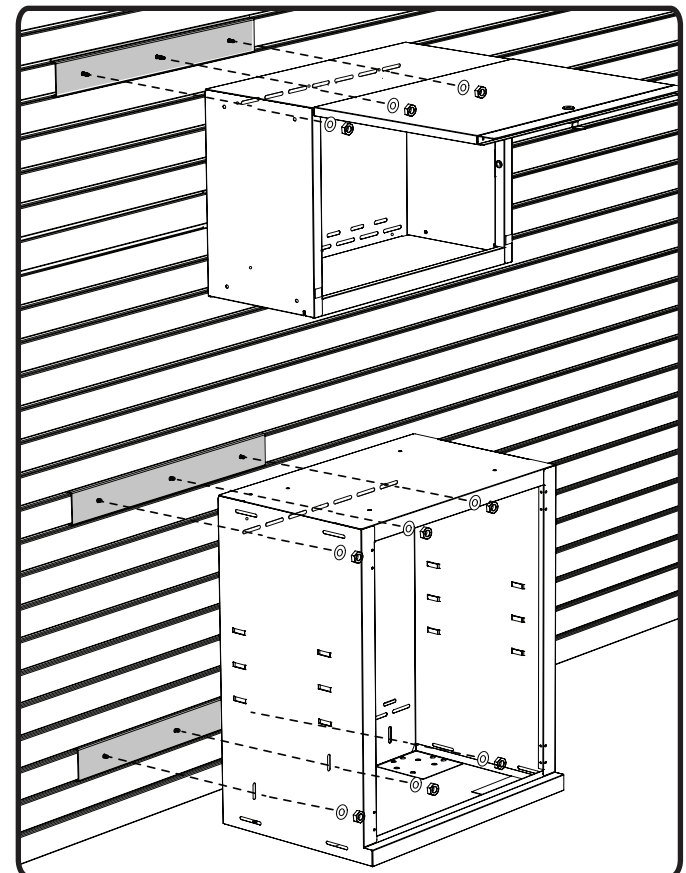
1 Insert bolts through slatwall bracket.



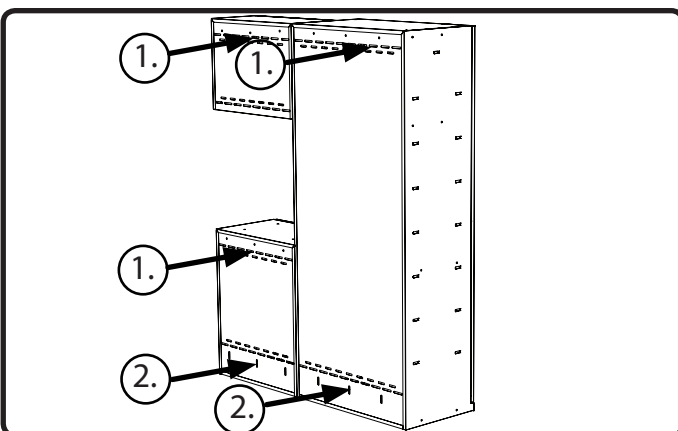
2 Attach bracket to slatwall at desired height.



4 Align bolt with slots on back of cabinet and hang cabinet.



3 Bracket Placement. Brackets needed per cabinet. Wall - 1, Locker, Base and Tool - 2.



Note:For Locker cabinet attach second bracket 66" below first bracket. For Base cabinet attach second bracket 18" below first bracket.

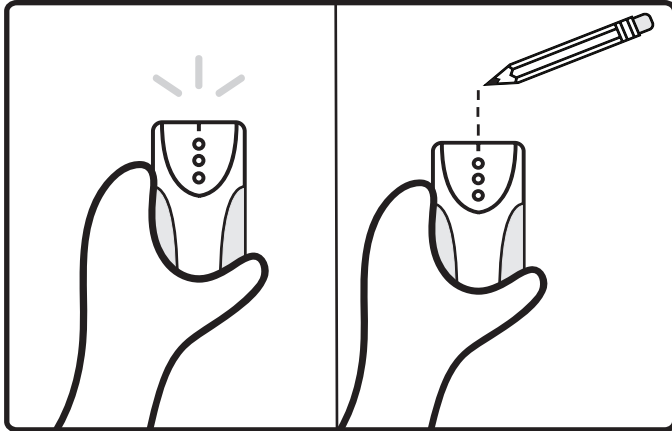
Securing Cabinets on Studded Wall



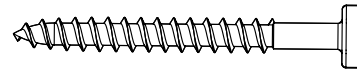
Note:

Do not load cabinet without first securing to the wall.

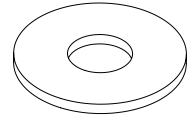
- 1** Use stud finder to locate the studs and mark the wall with a pencil.



- 2** Gather parts.



Wall Screw
($\frac{1}{4}$ " x $2\frac{1}{2}$ ")



Wall Washer
($\frac{1}{4}$ ")

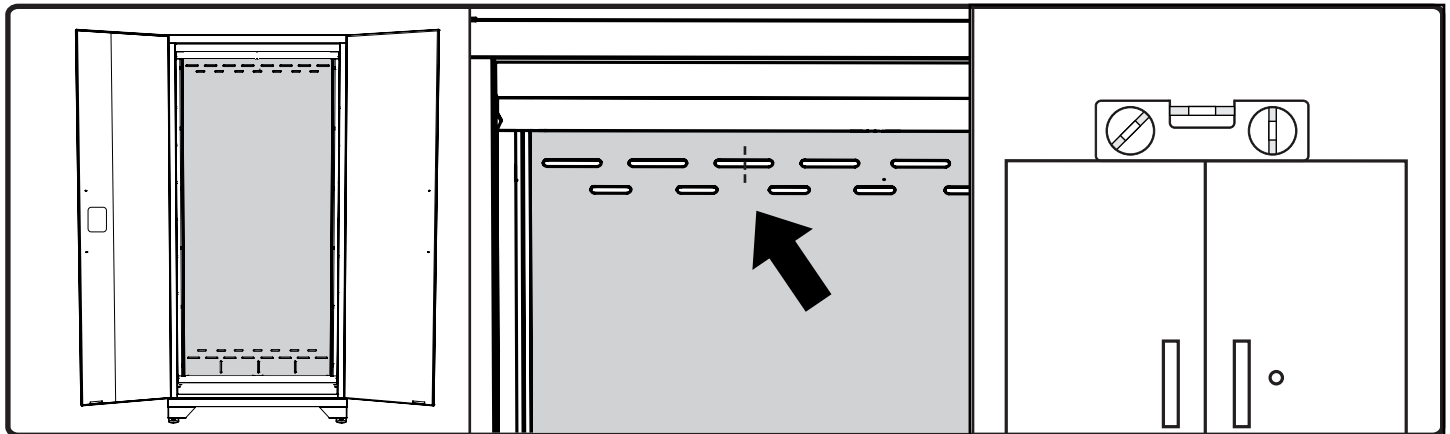
Base, Locker, Tool and Wall: 4 wall screws and 4 washers

Corner Wall: 6 wall screws and 6 washers

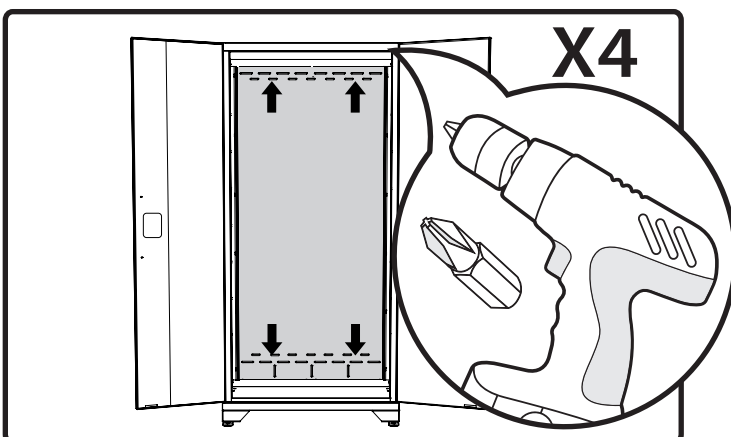
- 3** Place cabinet tight against the wall.

- 4** Align cabinet to stud marks.

- 5** Level cabinet.



- 6** Pre-drill (4) $\frac{1}{4}$ " (6.5mm) then drill 4 wall screws and washers through perforated holes into studs.



i Masonry.

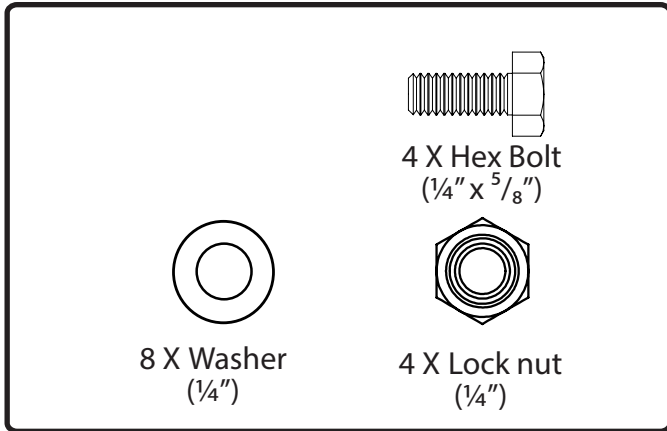
- Follow steps 3 to 5.
- Drill 4 pilot holes through the perforated strip with hammer drill & masonry bit.
- Use 4 x ($2\frac{1}{4}$ " x $\frac{1}{4}$ ") Tapcon Concrete Anchor into wall. (Not Included)
- OR 4 x (#10 x 2") Screw with $\frac{3}{16}$ " masonry plug into wall. (Not Included)
- Follow Step 6.

Fastening Cabinets

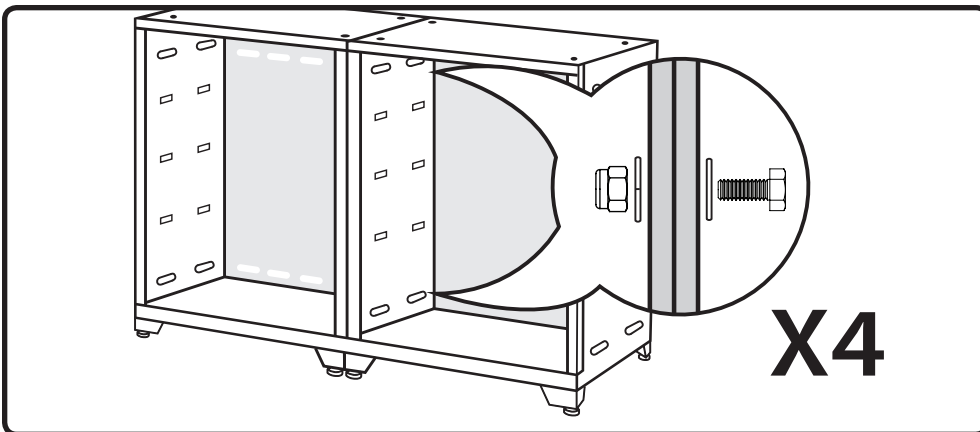
Note:

All drawers must be removed prior to fastening cabinets together. See [Page 22](#) for drawer removal instructions.

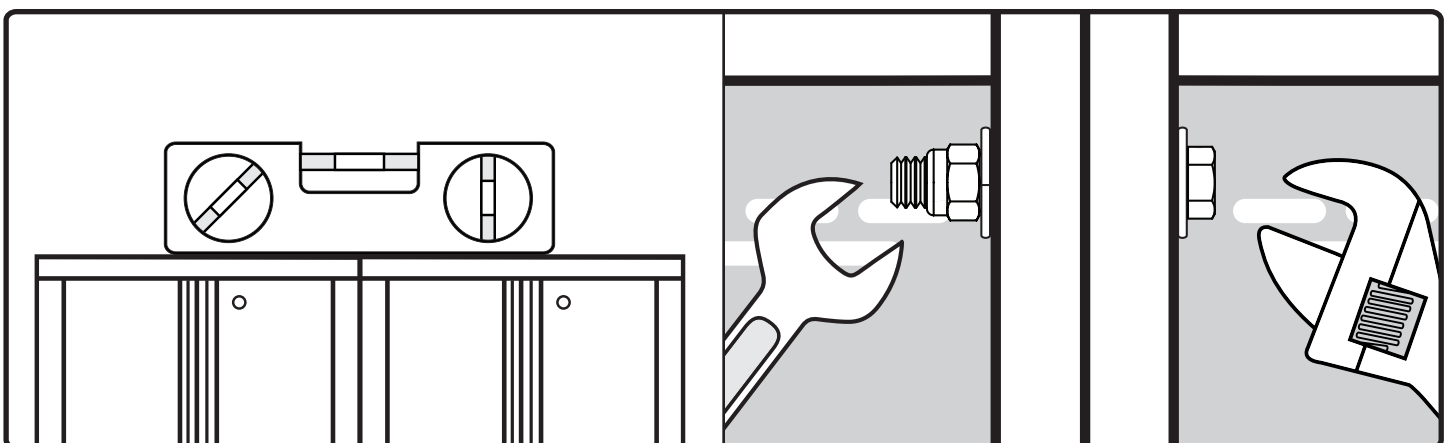
1 Parts Needed.



2 Align bolts, tighten lightly.

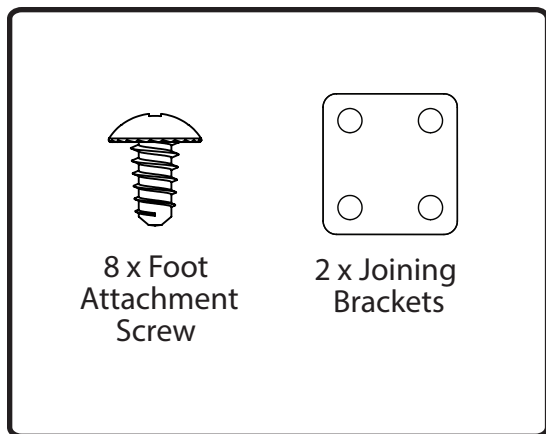


3 Level cabinets and tighten all bolts.

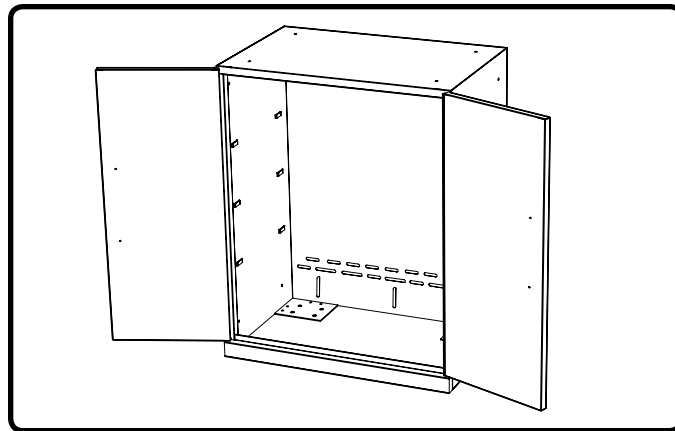


Fastening Cabinets with Casters

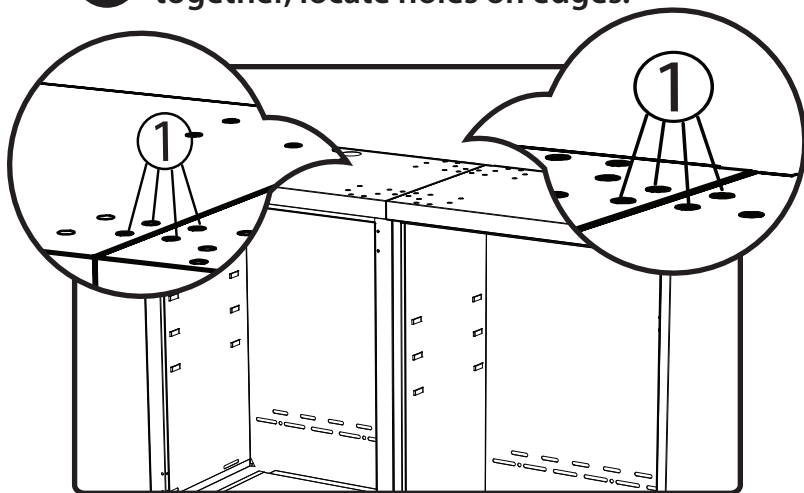
i Parts Needed.



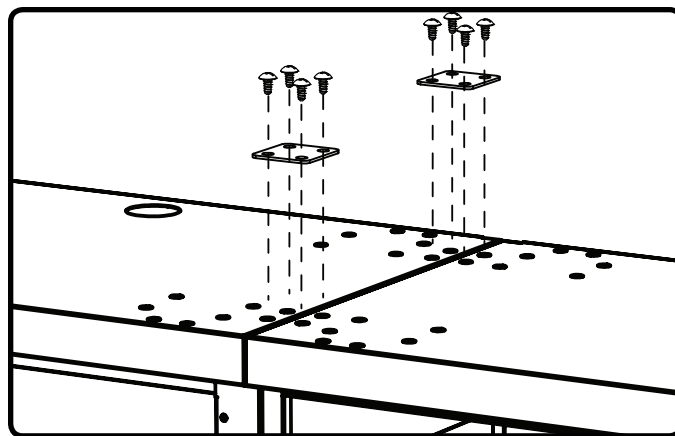
1 Open cabinets, remove any shelves, drawers or loose items.



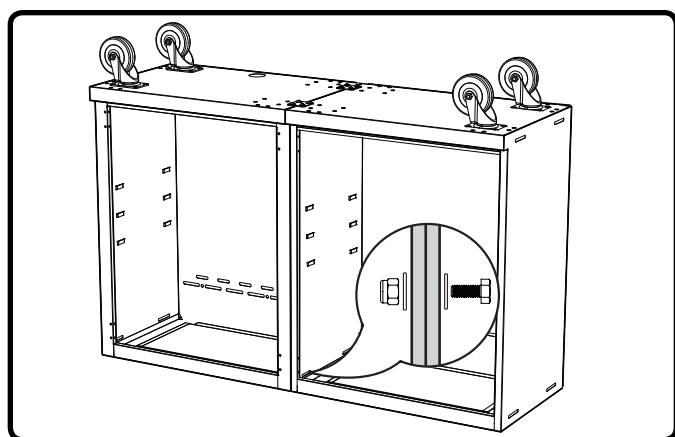
2 Flip cabinets and push sides together, locate holes on edges.



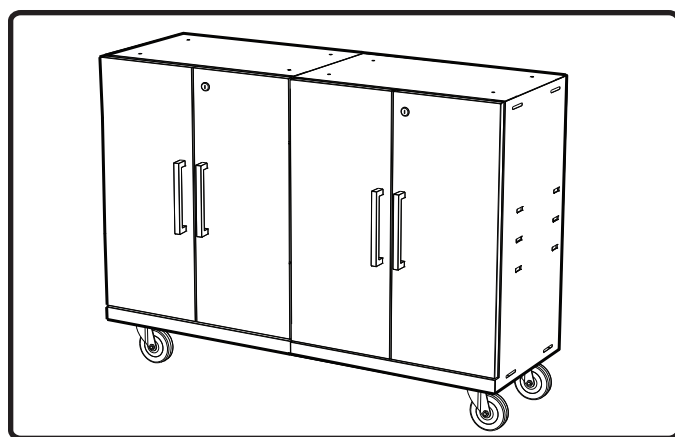
3 Align holes with joining plate and attach using foot attachment screws.



4 Attach casters and fasten cabinets together. See [pages 15.](#) & [21.](#)

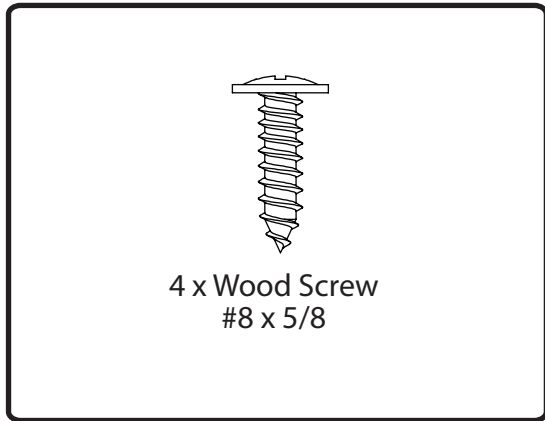


5

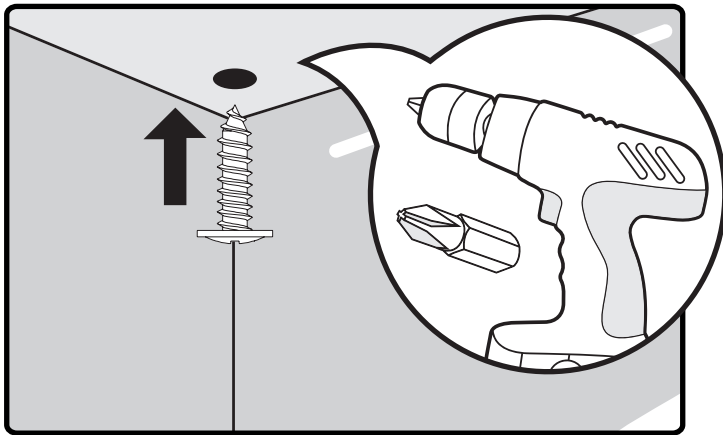


Mounting the Worktop

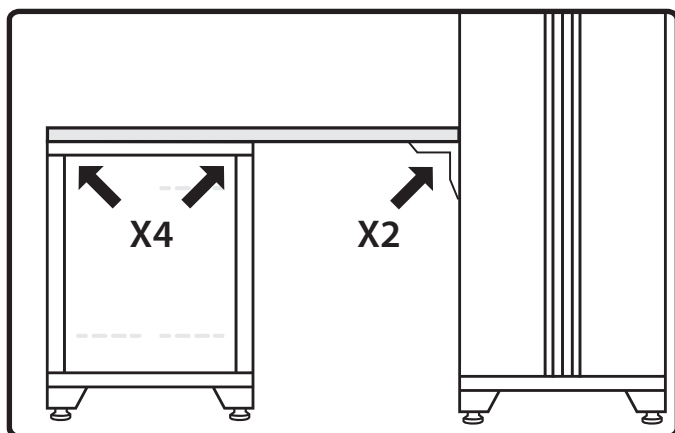
i Parts Needed.



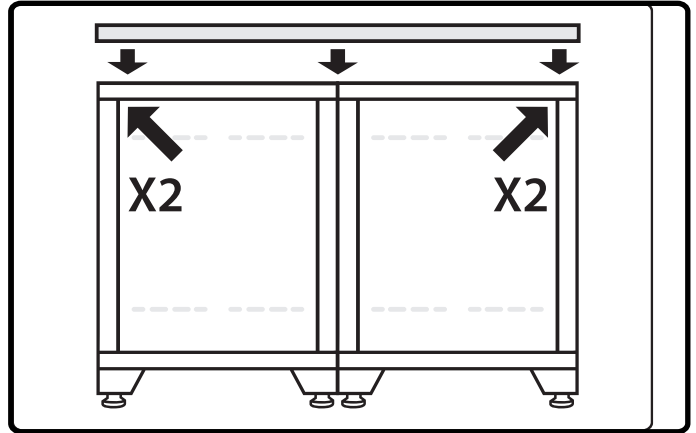
2 Drill into the worktop using the #8 x 5/8" wood screws.



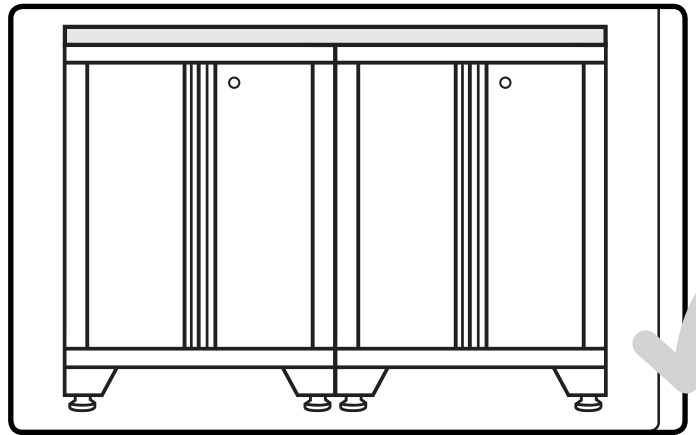
i Optional: For locker support bracket. See [Page 18](#).



1 Place Worktop on cabinets. Locate the punch holes on the tops of the cabinets.



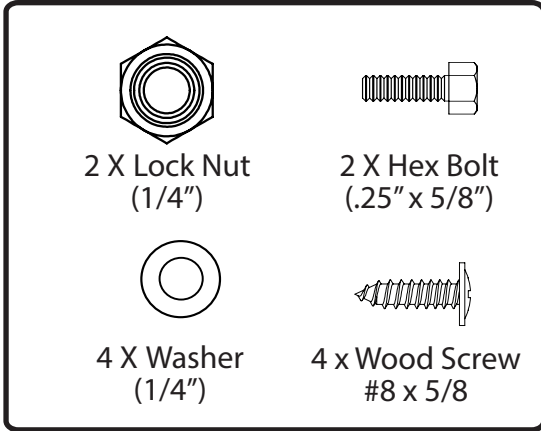
3



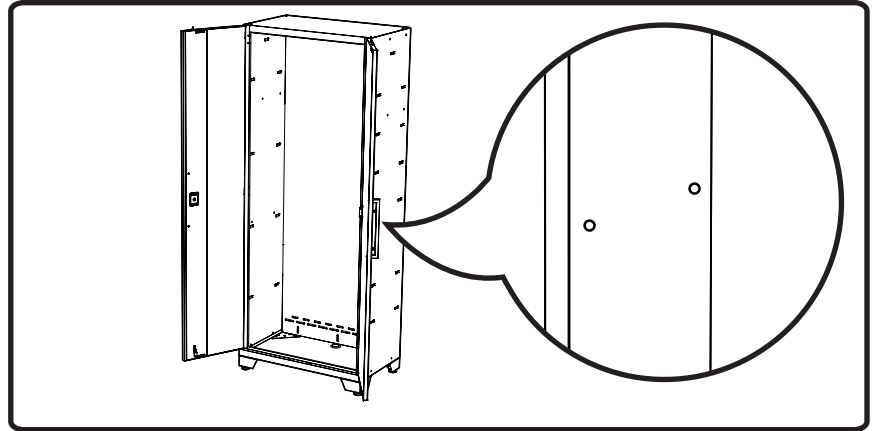
Installing Worktop Side Support Bracket

Note: Support Bracket included with Lockers
A support bracket is to be used if the worktop is added to the set without a secondary supporting base/tool cabinet.

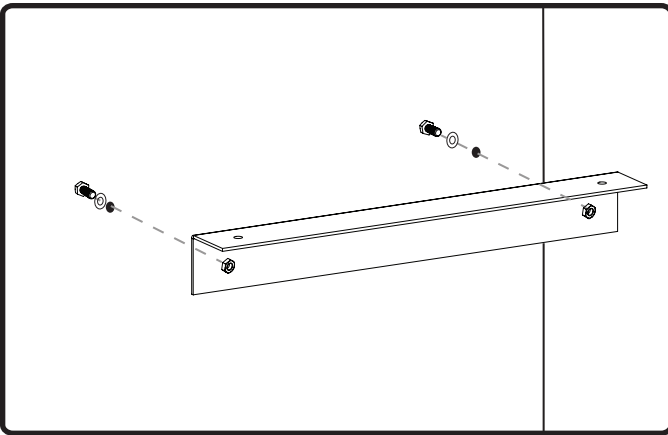
i Parts Needed.



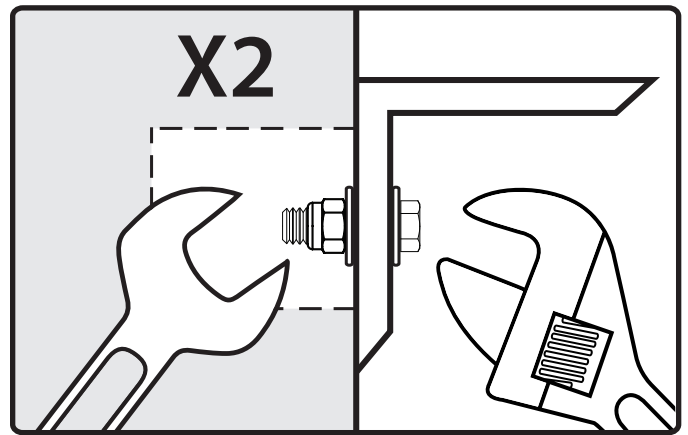
1 Open locker doors and locate holes on either side.



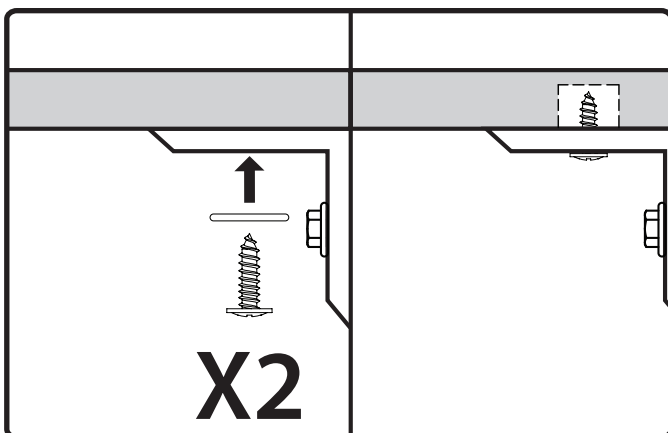
2 Align bracket holes with locker holes and insert hex bolts through holes.



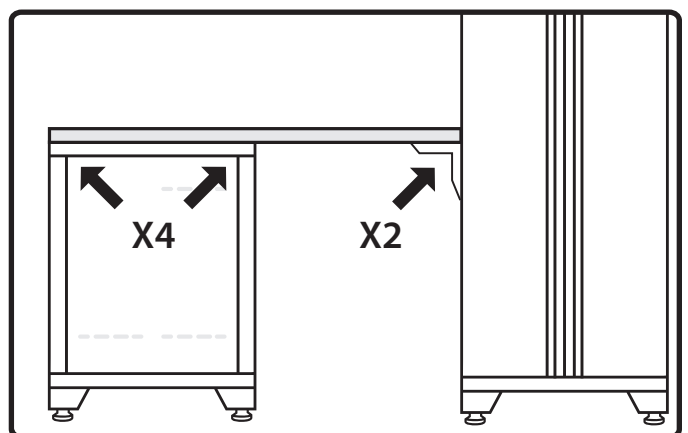
3 Tighten nuts & bolts.



4 Use #8 x 5/8" wood screws and washers, provided in the locker packaging.

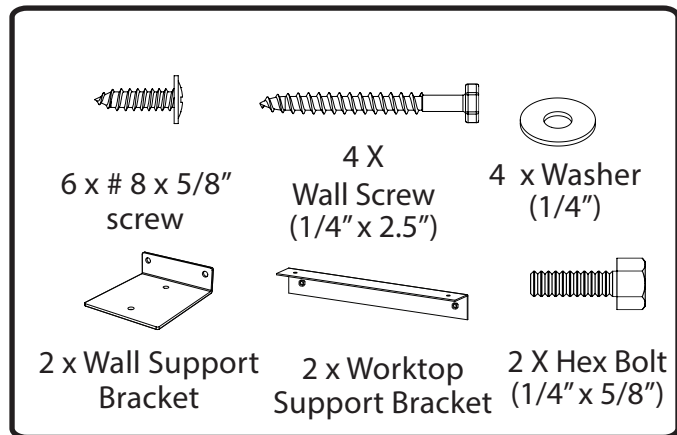


5

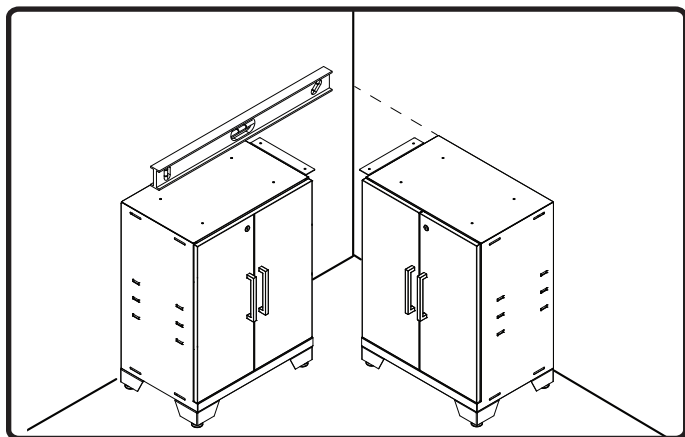


Installing Corner Worktop

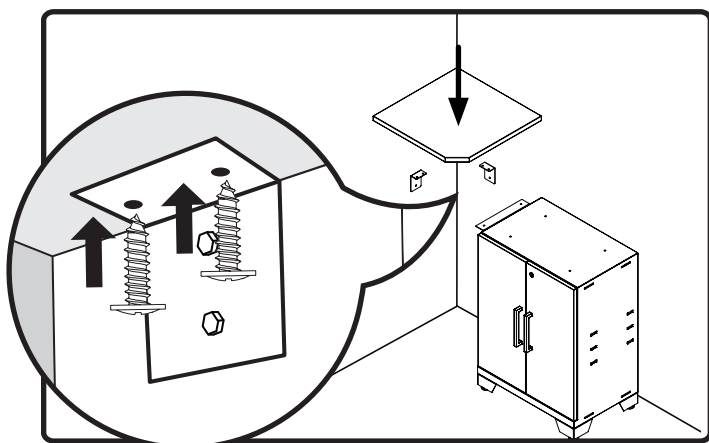
Parts Needed.



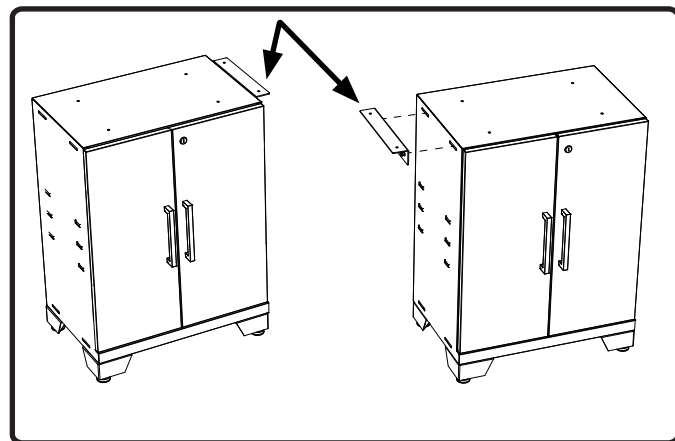
- 2** Position both cabinets in desired corner. Locate studs and mark a level pencil line at height of cabinets.



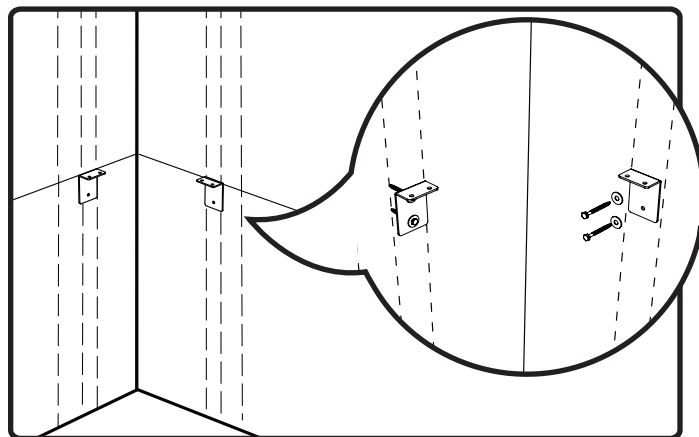
- 4** Position one cabinet into position and attach corner cabinets to brackets using #8 x 5/8" wood screws.



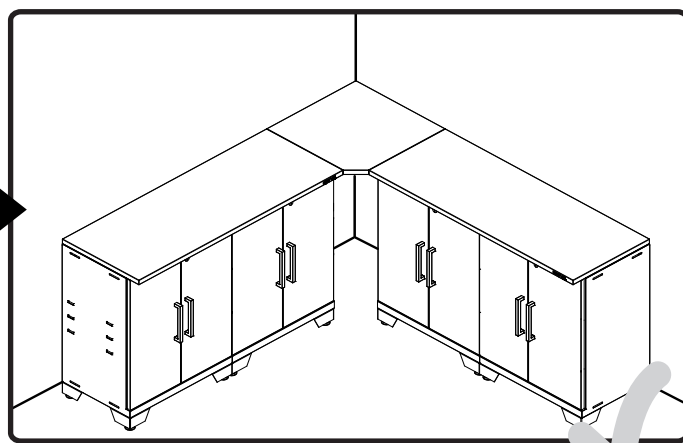
- 1** Install Side Support Brackets on the two base cabinets that will be adjacent to corner worktop. See Step 2 in side support brackets on [page 18](#).



- 3** Align top of wall support bracket with pencil line. Pre-drill 1/4" (6.5mm) holes, then using (2) X 2.5 lag screw per bracket attach corner wall support brackets into wall studs.

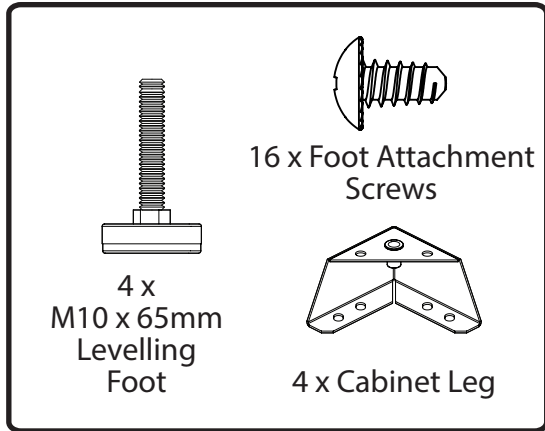


- 5** Attach remaining cabinets and countertops. See [page 17](#).

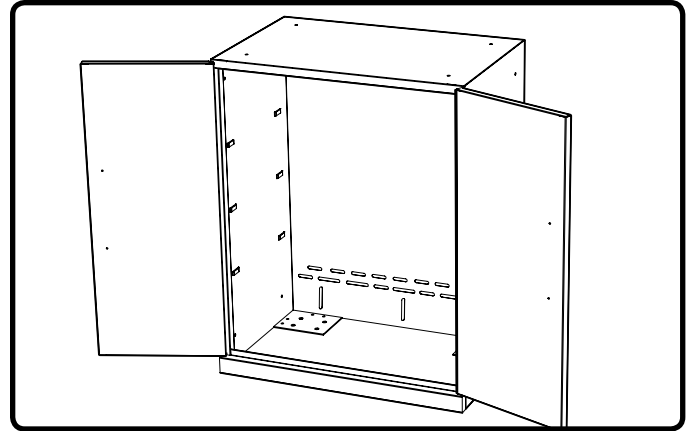


Installing Feet

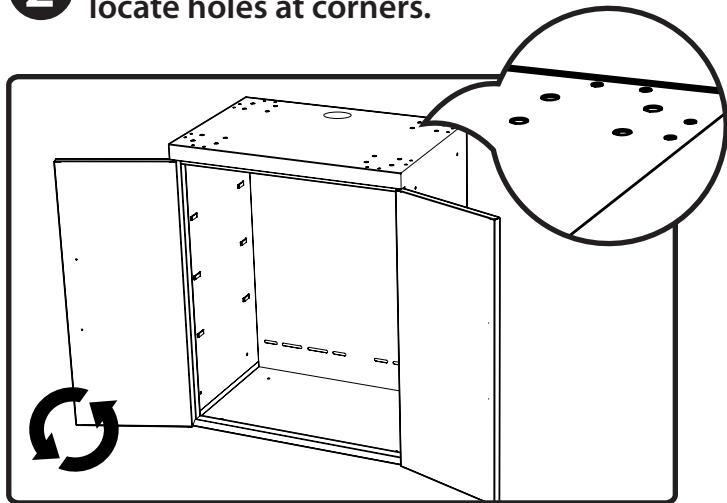
i Parts Needed.



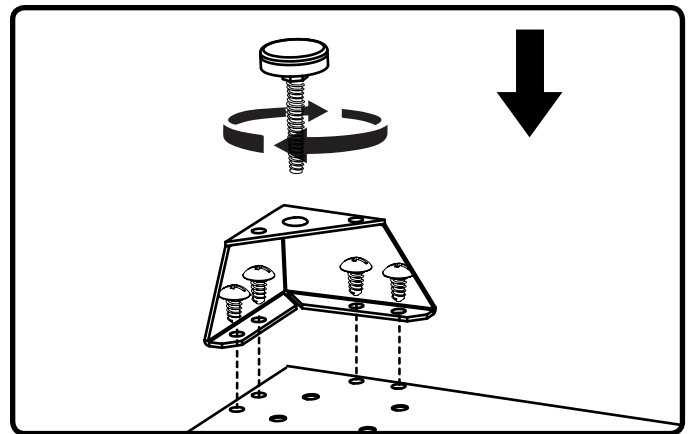
1 Open cabinet, remove any shelves or loose items.



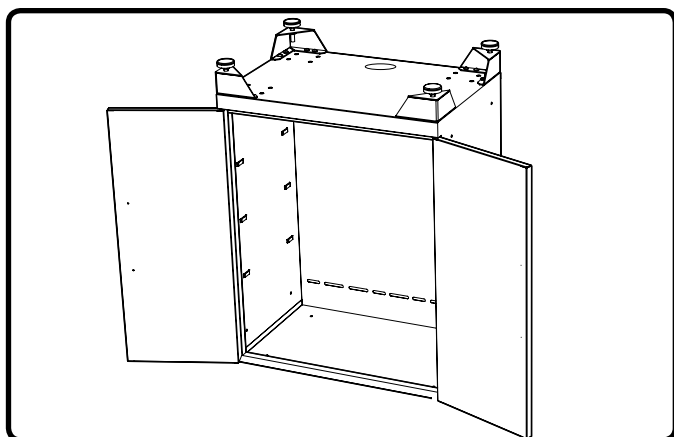
2 Flip cabinet upside down, locate holes at corners.



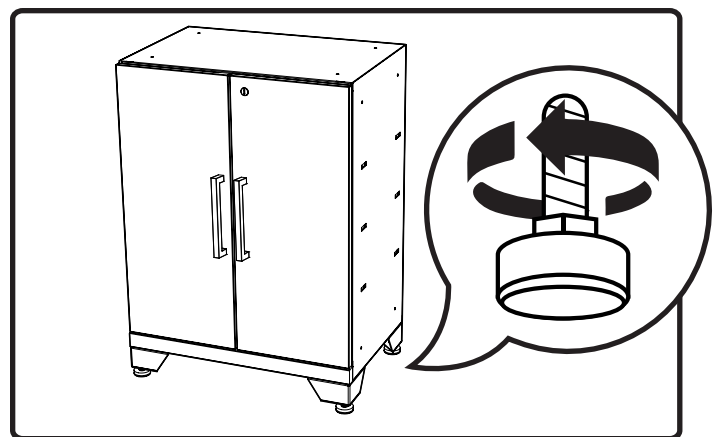
3 Align leg with edge of cabinet. Screw in 4 x Foot attachment screws & leveling foot.



4 Repeat steps 3 for each corner.



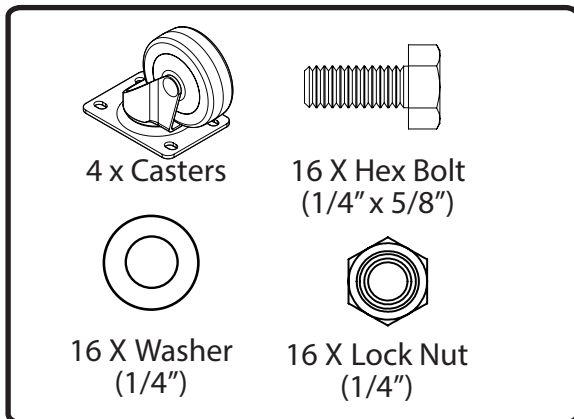
5 Stand & level feet.



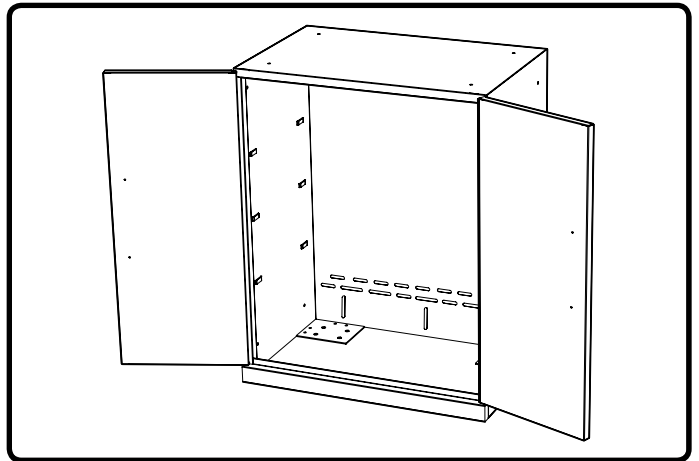
Installing Casters

Note: Install casters with brakes on front of cabinet.

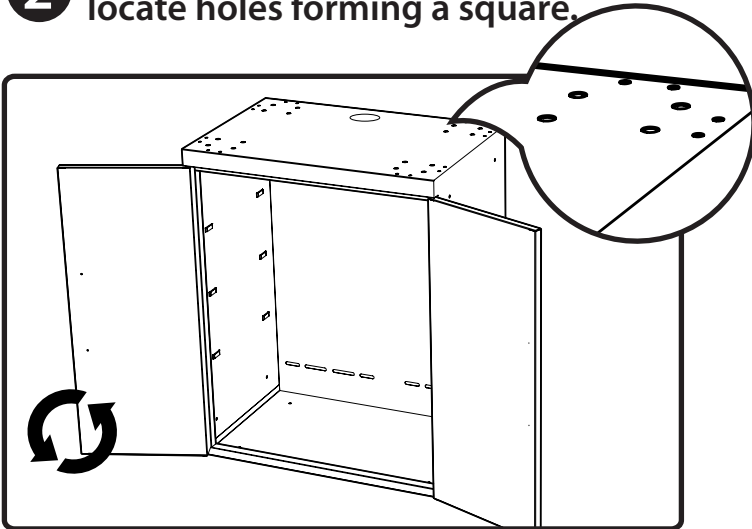
i Parts Needed.



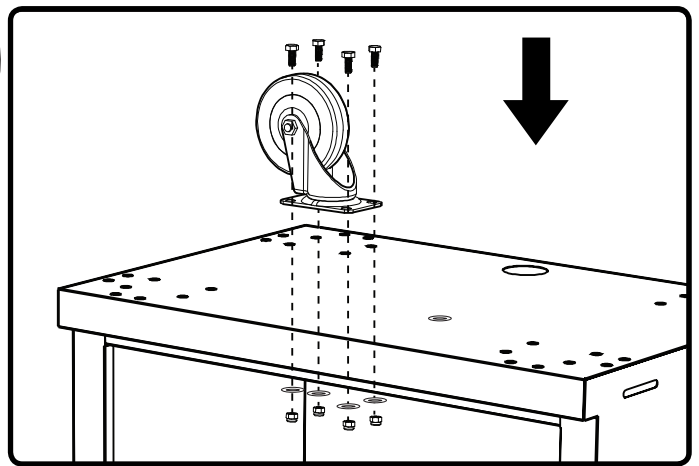
1 Open cabinet, remove any shelves, drawers or loose items.



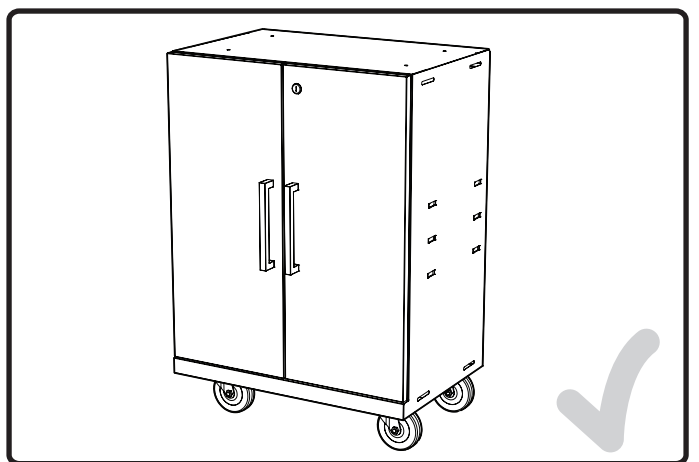
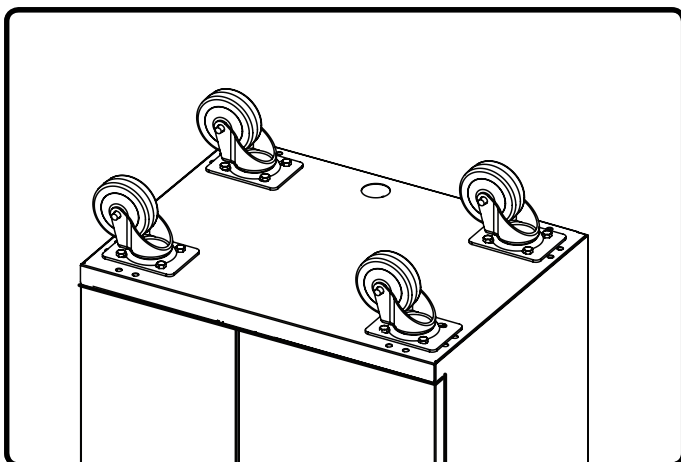
2 Flip cabinet upside down, locate holes forming a square.



3 Align casters with holes. Attach with 4 hex bolts, washers, and nuts.

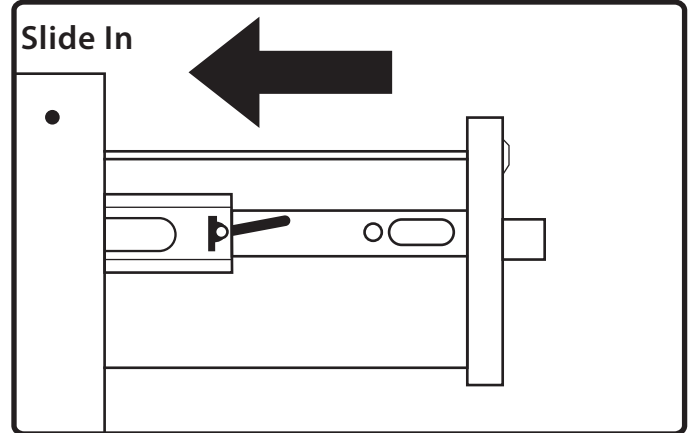
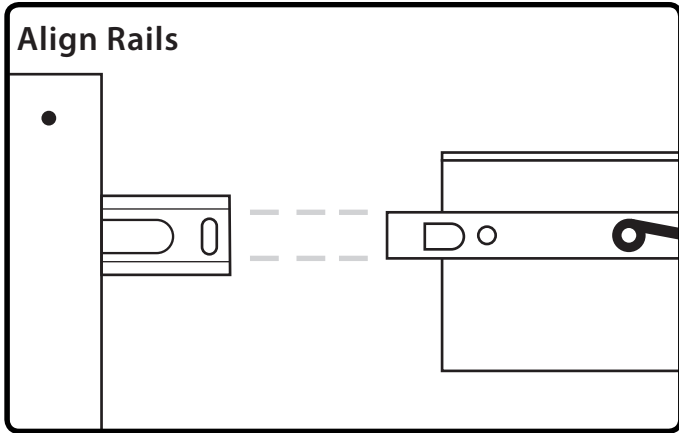


4 Repeat step 3 for each caster.

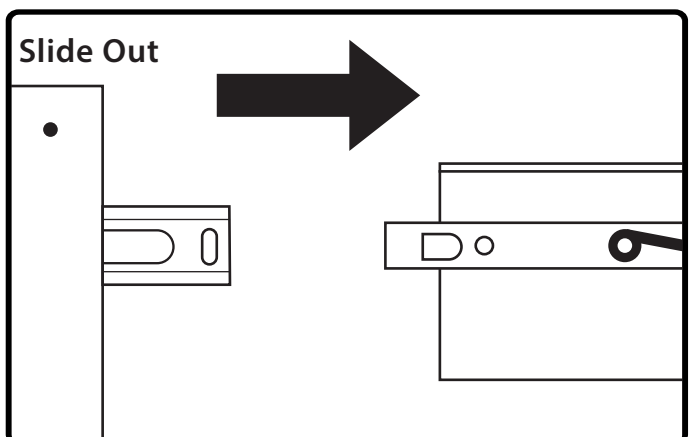
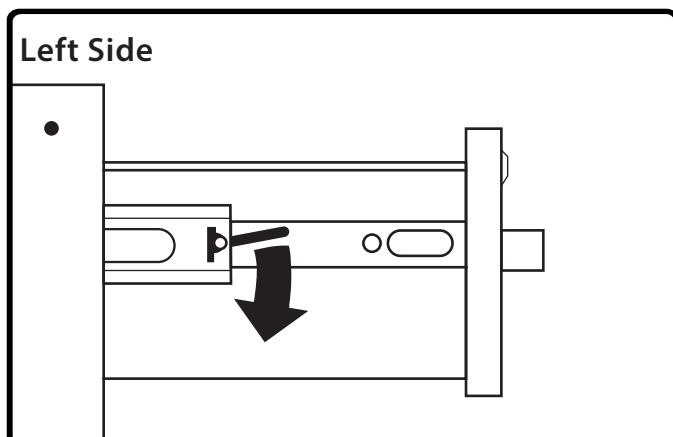
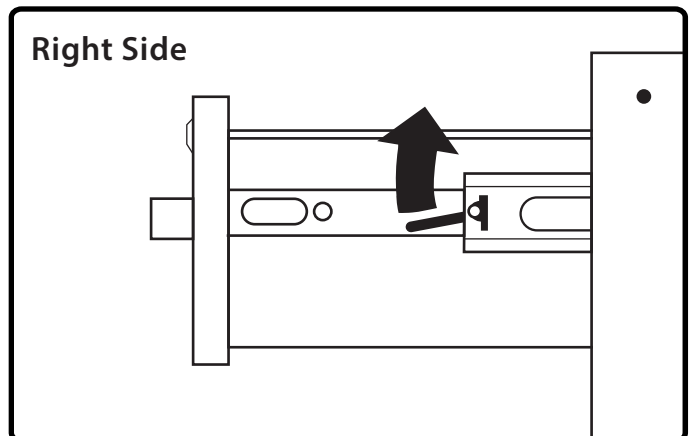
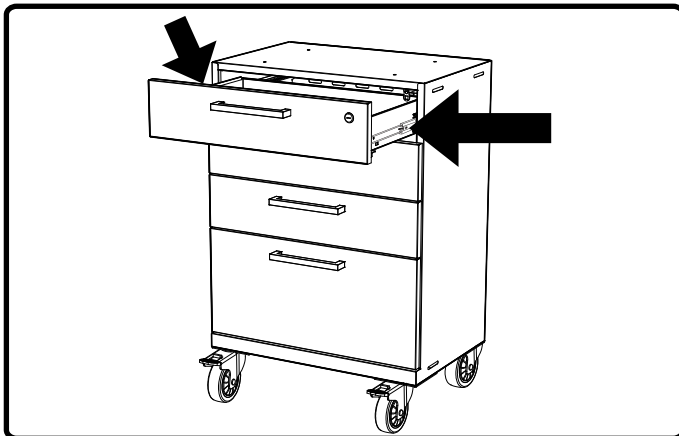


Installing the Drawers

Inserting Drawers.

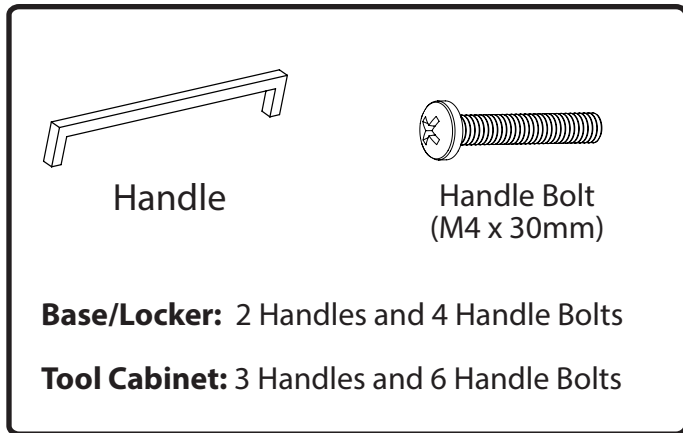


Removing Drawers.

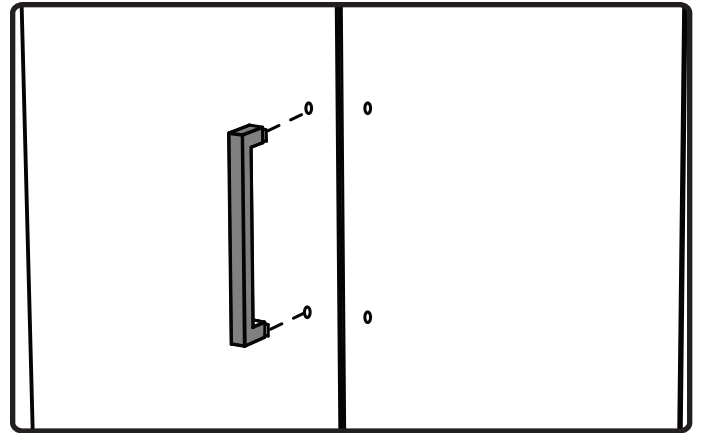


Installing Handles

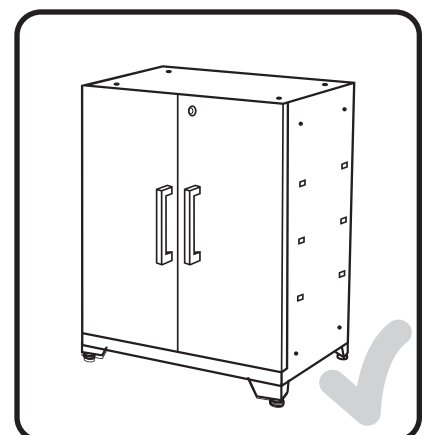
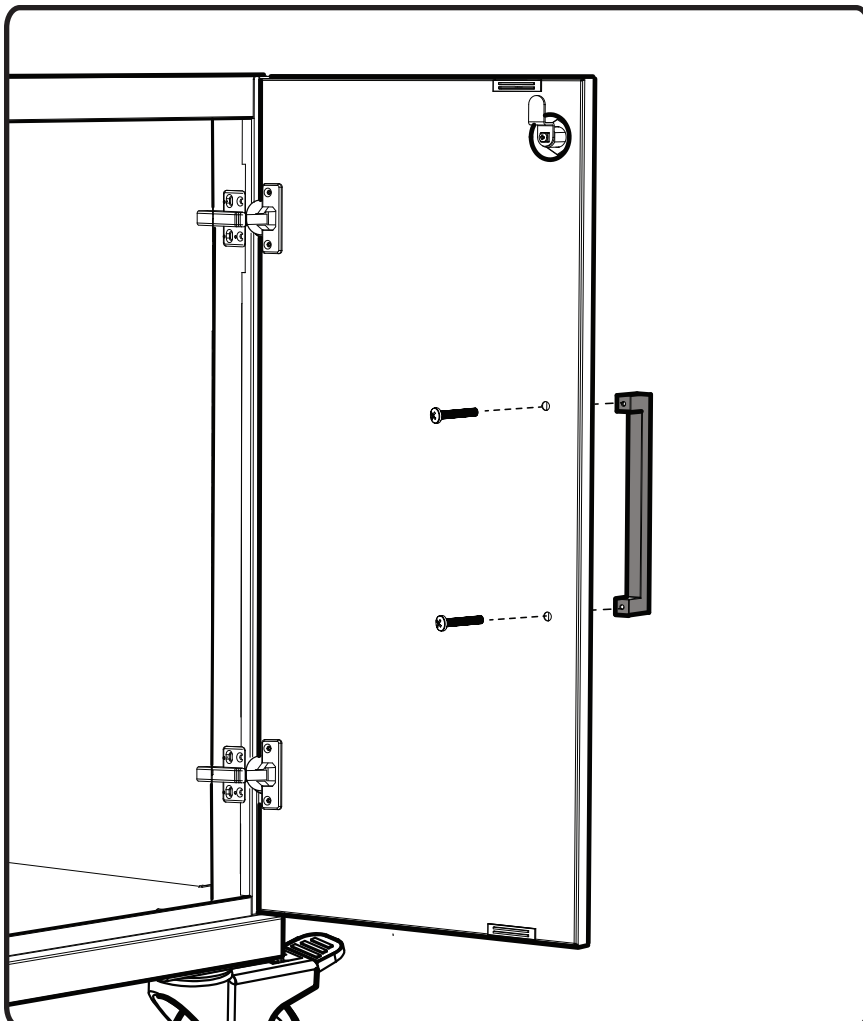
1 Parts Needed.



2 Align Handle to holes on doors or drawers.

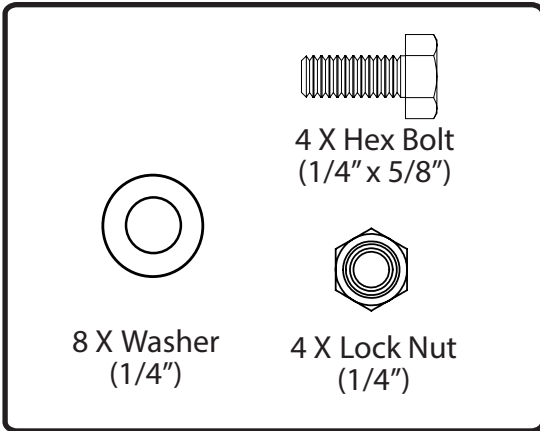


3 Screw in bolts using number a #2 Philips head screwdriver being careful not to overtighten bolts.

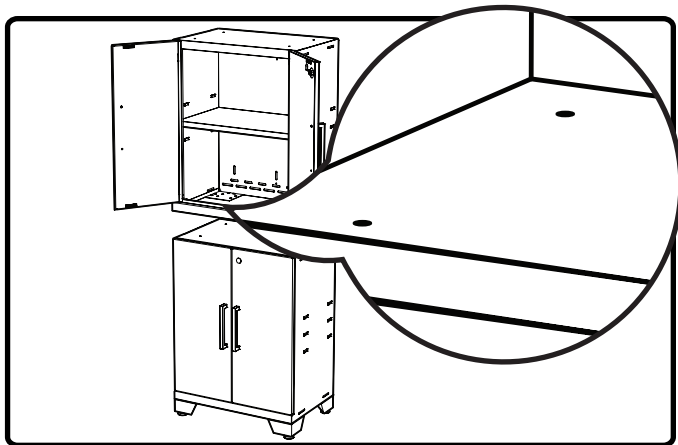


Stacking Cabinets

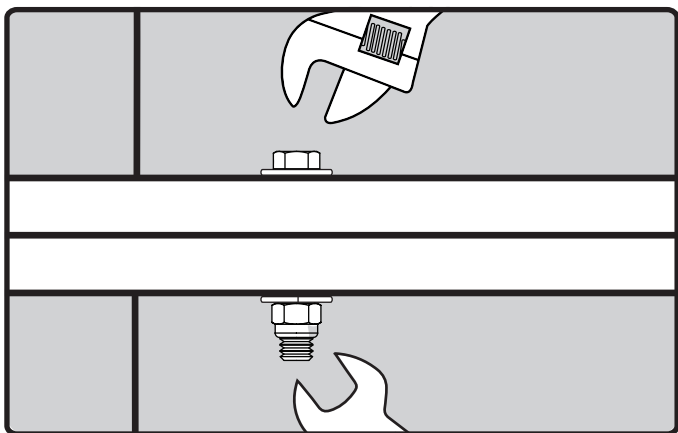
Parts Needed.



2 Locate punch holes on adjoining surface and insert bolts.

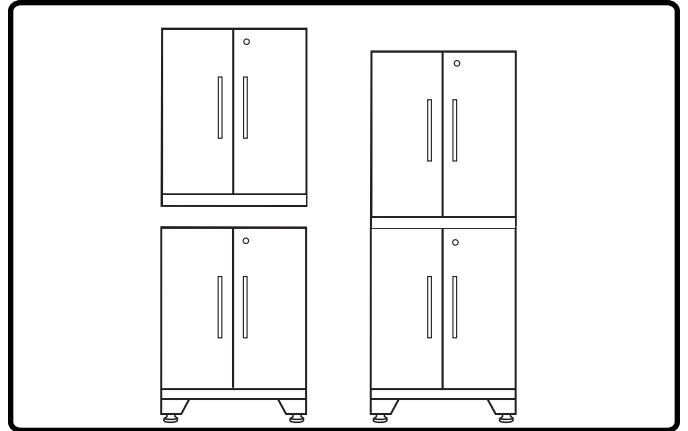


4 Tighten all bolts.

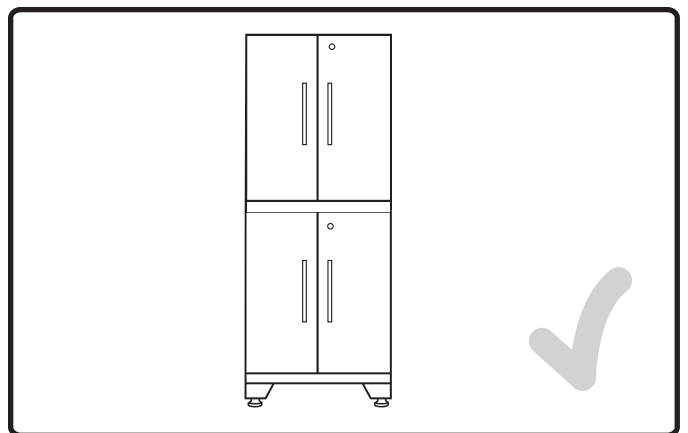
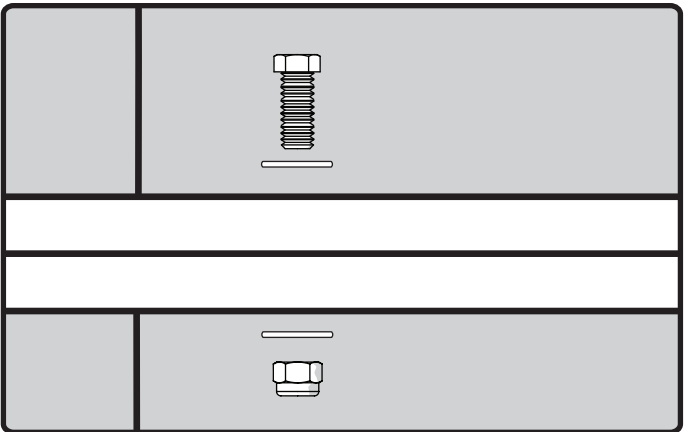


Note: Do not exceed weight capacity of feet. See [page 5](#). Installing cabinets on stacked cabinets is not recommended.

1 Position a second base cabinet on top of an existing base cabinet.

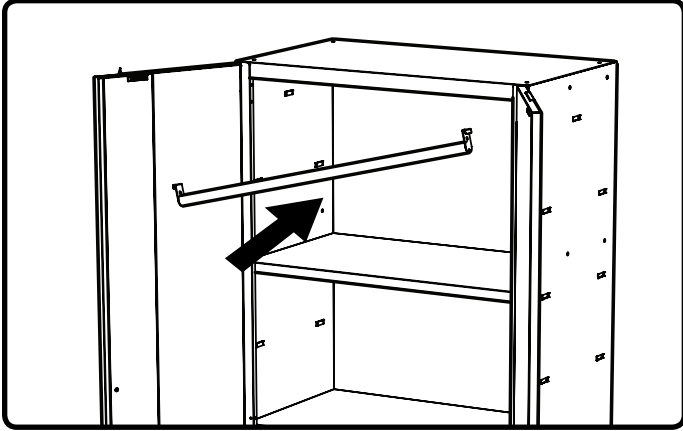


3 Attach cabinets using the supplied 1/4" x 5/8" hex bolts, washers, and nuts.

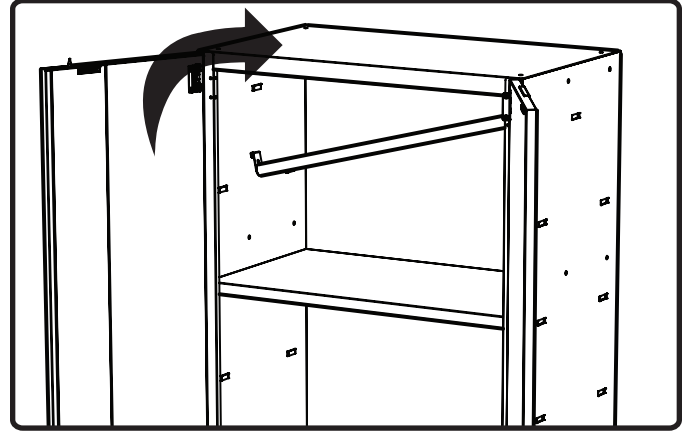


Inserting Locker Utility Rod

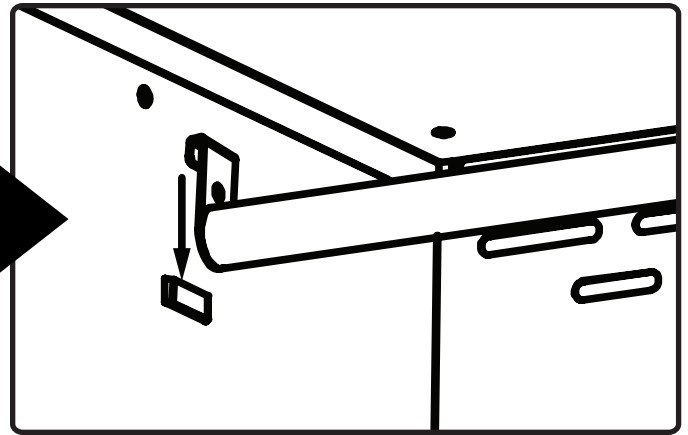
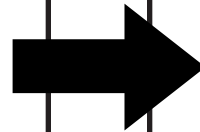
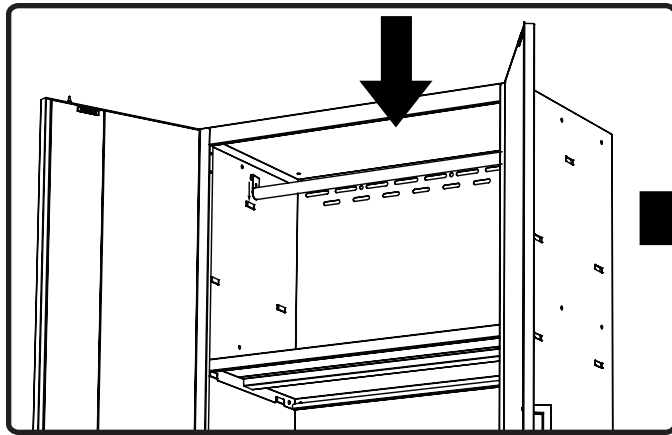
1 Tilt Rod at a slight angle.



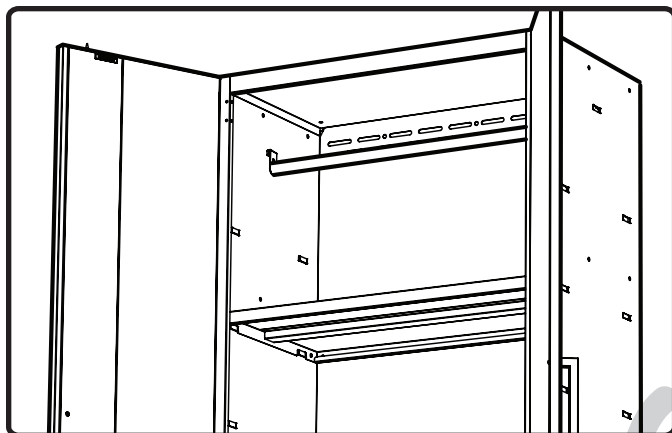
2 Insert and bring to horizontal position above slots in wall.



3 Ensure Rod tabs engage in slots on side panel when lowering into position.

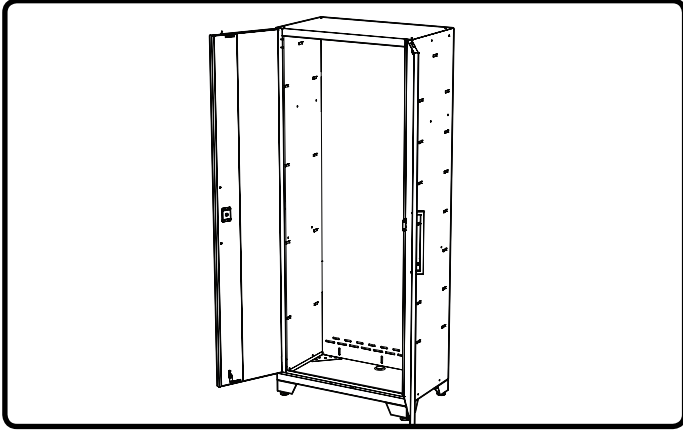


4

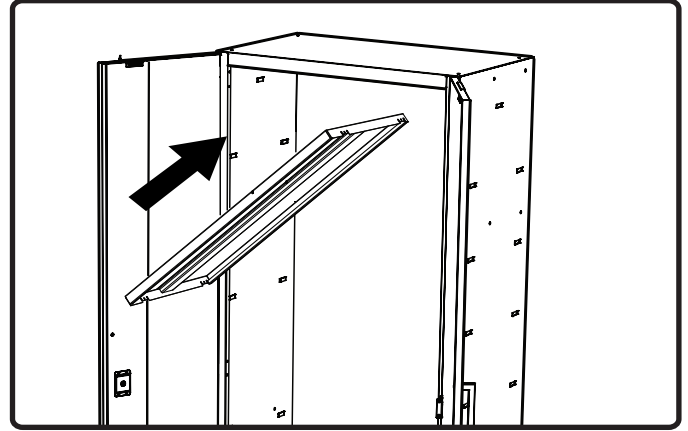


Inserting Cabinets Shelves

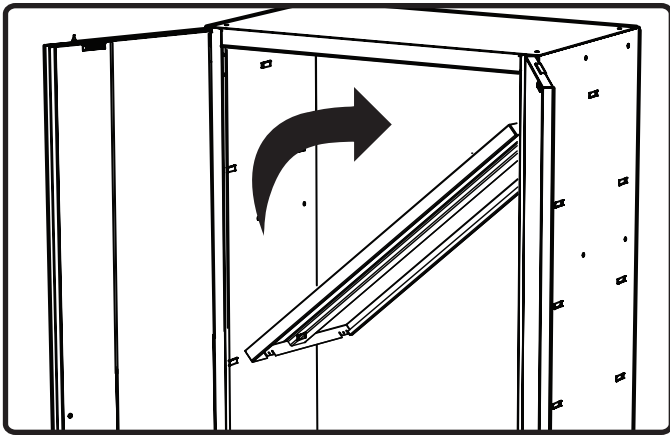
1 Stand cabinet up.



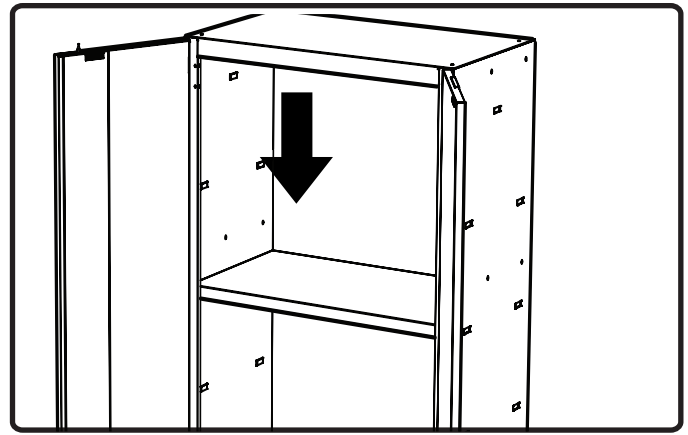
2 Insert shelf at a slight angle.



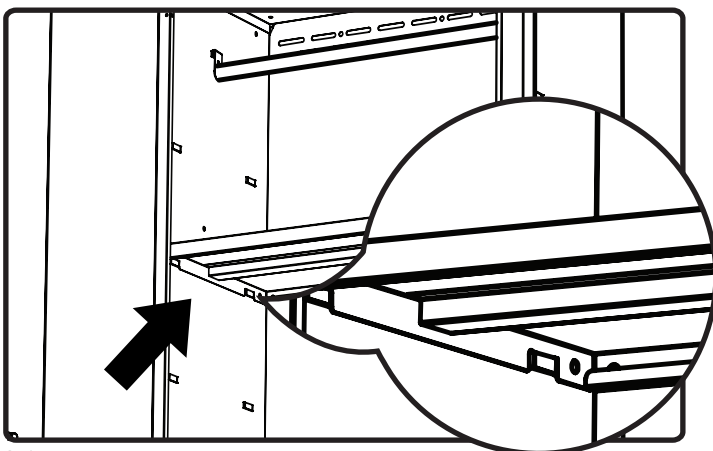
3 Rotate shelf to horizontal position.



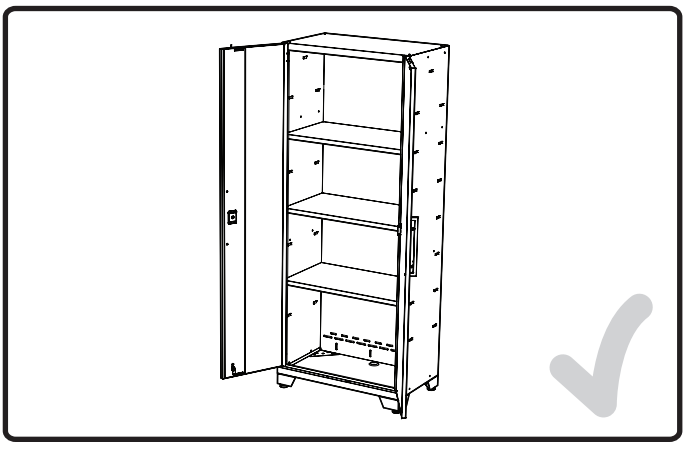
4 Push shelf down into grooves.



5 Ensure shelf tabs engage in slots of side panel when lowering into position to secure.

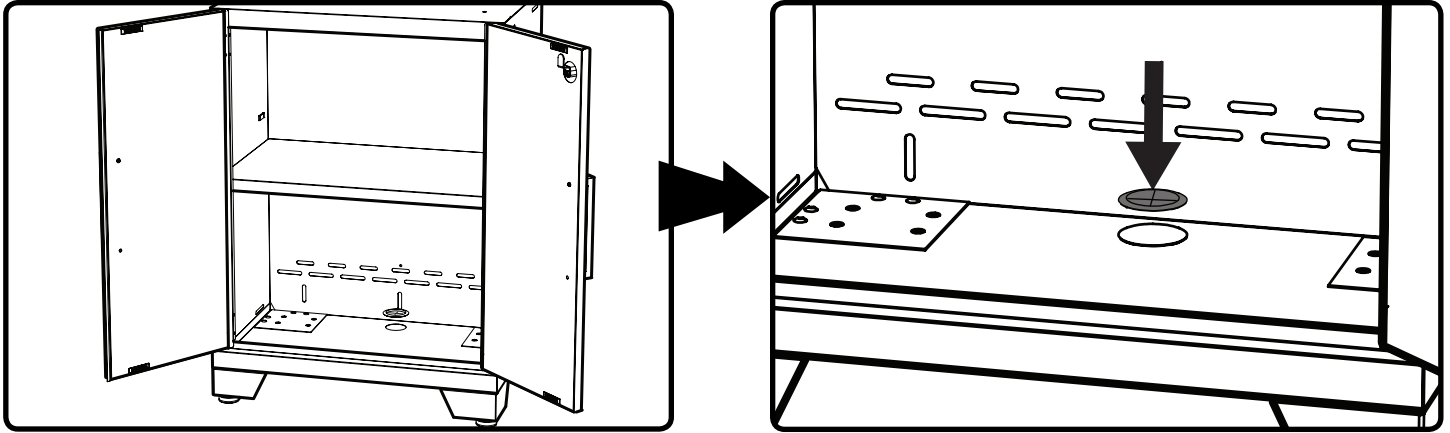


6 Insert remaining shelves.

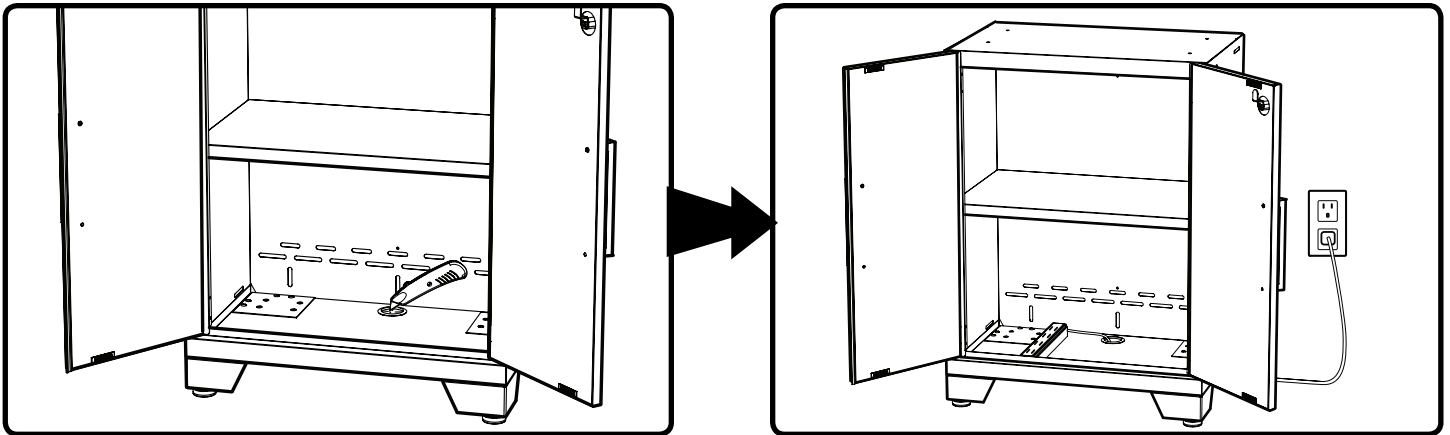


Utility Access

- 1** Insert rubber grommet into cut-out hole in bottom panel.



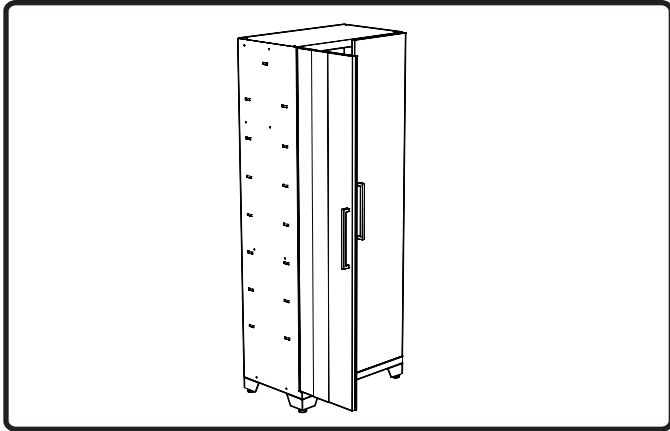
- 2** Using box knife cut along perforation in rubber grommet to create hole. Utility hole allows easy access to electrical outlet.



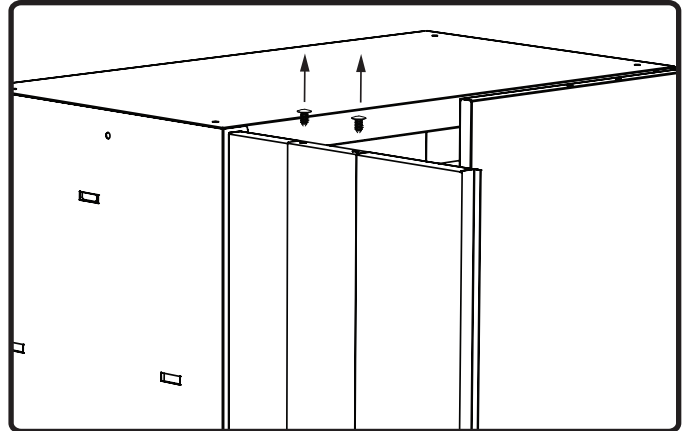
Magnetic Racing Stripe

Note: Racing stripe not available with diamond plate doors.

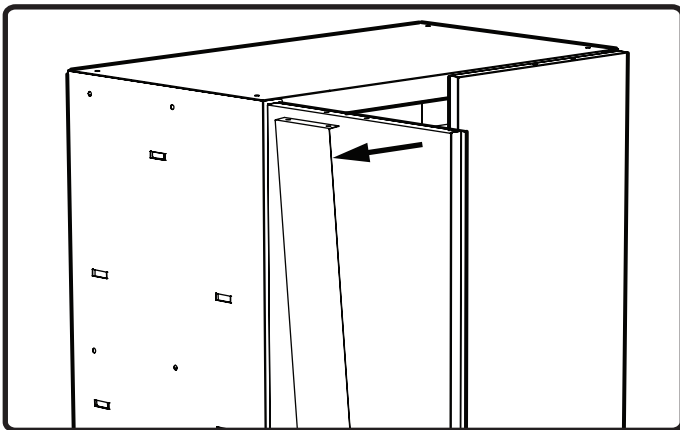
The Racing Stripe can be installed on either door. To remove stripe follow steps 1-3.



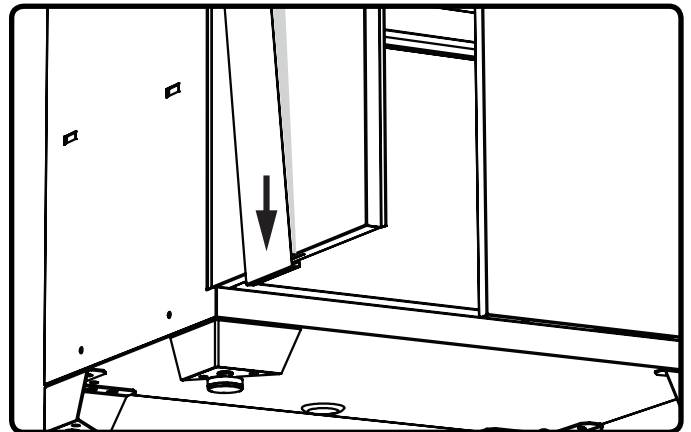
1 Remove the 2 plastic plugs holding in the racing stripe at the top of door.



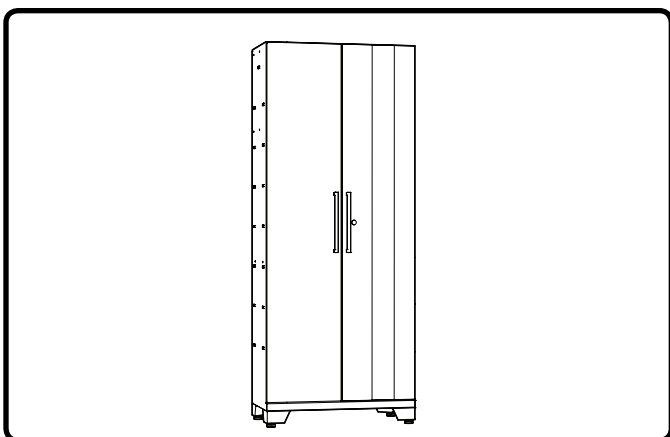
2 Tilt stripe off top of door.



3 Lower and remove from slot on bottom of door.



4 Attach Racing Stripe on opposite door following reverse order.



i **HANDLE WITH CARE:** Racing Stripe can easily bend and crease.

Manufacturer Warranty Limited Lifetime

When this product is installed, operated and maintained according to the instructions attached to or furnished with the product, NewAge Products Inc. will replace the defective product or parts if the part fails as a result of defective materials or workmanship for the Lifetime of the product.

NEWAGE PRODUCTS INC. WILL NOT PAY FOR:

1. Service calls to correct the installation of any NewAge products or to instruct you how to use or install them.
2. Damage resulting from improper handling or shipping of products, or products damaged by accident, misuse, abuse, fire, flood, improper installation, acts of God, neglect, corrosion, modification or mishandling.
3. Products damaged by improperly loading beyond the specified maximum weight capacity outlined in the instructions provided with the product.
4. Repairs or replacement when your product is used in other than normal, single-family household use, such as a commercial environment, or handled in anyway inconsistent with the installation instructions included with the product.
5. Cosmetic damage, including scratches, dings, dents or cracks in paint that do not affect the structural or functional capability of the product.
6. Surfaces damaged due to chemical interaction resulting in corrosion of paint or metal.
7. Replacement parts for NewAge products outside Canada and the United States.
8. Replacement keys or locking mechanisms.
9. Loss of product contents due to theft, fire, flood, accident or acts of God.
10. Shipping or freight fees to deliver replacement products or to return defective products.
11. Any labor costs during the limited warranty period.



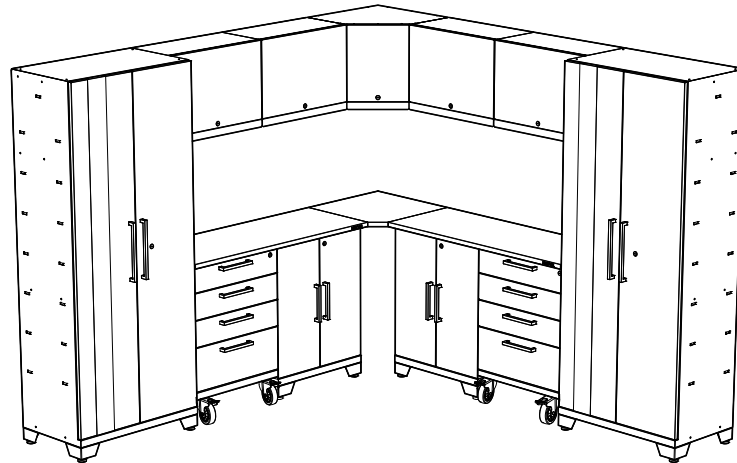
DISCLAIMER OF IMPLIED WARRANTIES; LIMITATION OF REMEDIES

IMPLIED WARRANTIES, INCLUDING TO THE EXTENT APPLICABLE WARRANTIES OF MERCHANTABILITY OR FITNESS FOR A PARTICULAR PURPOSE, ARE EXCLUDED TO THE EXTENT LEGALLY PERMISSIBLE. ANY IMPLIED WARRANTIES THAT MAY BE IMPOSED BY LAW ARE LIMITED TO ONE YEAR, OR THE SHORTEST PERIOD ALLOWED BY LAW. SOME STATES AND PROVINCES DO NOT ALLOW LIMITATIONS OR EXCLUSIONS ON HOW LONG AN IMPLIED WARRANTY OF MERCHANTABILITY OR FITNESS LASTS, SO THE ABOVE LIMITATIONS OR EXCLUSIONS MAY NOT APPLY TO YOU. THIS WARRANTY GIVES YOU SPECIFIC LEGAL RIGHTS, AND YOU MAY ALSO HAVE OTHER RIGHTS WHICH VARY FROM STATE TO STATE OR PROVINCE TO PROVINCE

Thank you for purchasing a NewAge Product!

Please give us a call or visit online if you have any questions.

Call 1.877.306.8930; for UK 0800.031.4069; e-mail at info@newageproducts.com



Série Performance 2.0



AVERTISSEMENT: RISQUE DE POIDS EXCESSIF!

Déplacer, assembler ou installer les armoires et armoires-vestiaires avec l'aide de deux personnes ou plus. Dans le cas contraire, il pourrait en découler des blessures au dos ou autre. Ne pas laisser les enfants sans surveillance près des armoires. Risque élevé de basculement si les armoires ne sont pas installées correctement : Fixer solidement les armoires au mur pour éviter des blessures graves. Pour obtenir de l'aide, composer le 1.877.306.8930; au R.-U., composer le 0800.031.4069; ou envoyer un courriel à l'adresse info@newageproducts.com.



ATTENTION: Est votre armoire endommagée? Avez vous besoin d'aide ou de pièces de rechange? Contactez NewAge Products a 1-877-306-8930; ou support@newageproducts.com. Ne pas retourner au détaillant.

INDEX

Présentation de produit:

[Déballage - 3](#)

[Outils nécessaires - 3](#)

[Quantités comprises - 4](#)

[Pièces incluses - 4](#)

[Capacités de poids - 5](#)

[Options pour plan de travail - 5](#)

[Options pour Installation - 6](#)

Aperçu:

[Installation sur le plancher - 7](#)

[Installation sur le mur - 8](#)

[Installation sur la paroi à lattes - 9](#)

[Installation avec roulettes - 10](#)

[Installation avec meuble d'angle- 11](#)

Armoires suspendu:

[Sur paroi cloutte -12](#)

[Sur paroi à lattes - 13](#)

Sécurisation des armoires:

[Sur la mur- 14](#)

[A d'autres armoires - 15](#)

[Avec des armoires sur roulettes - 16](#)

Installation d'établis:

[Installation normale- 17](#)

[Utilisant les supports - 18](#)

[Etabli à l'angle - 19](#)

Assemblée général:

[Installation des pieds et mis en niveau - 20](#)

[Roulettes - 21](#)

[Tiroirs- 22](#)

[Poignées- 23](#)

[Empilement - 24](#)

[Tringle- 25](#)

[Étagères - 26](#)

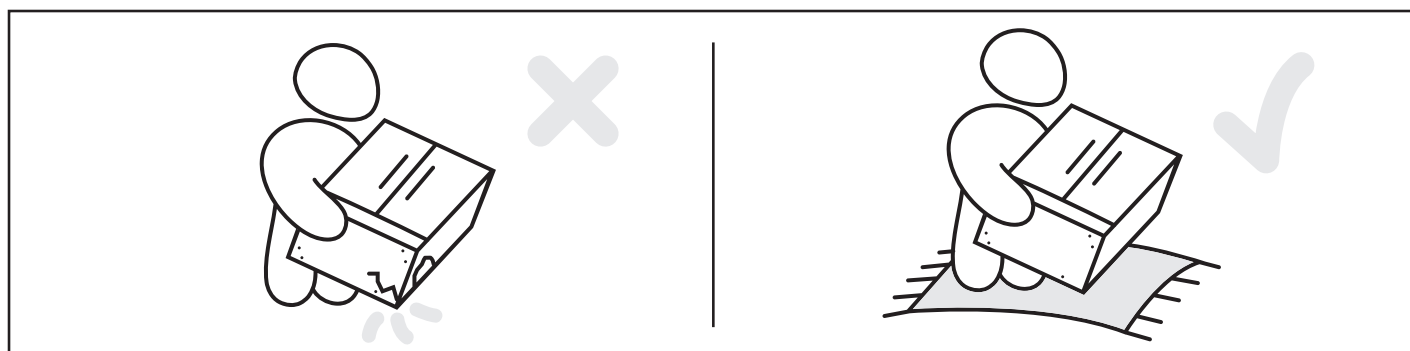
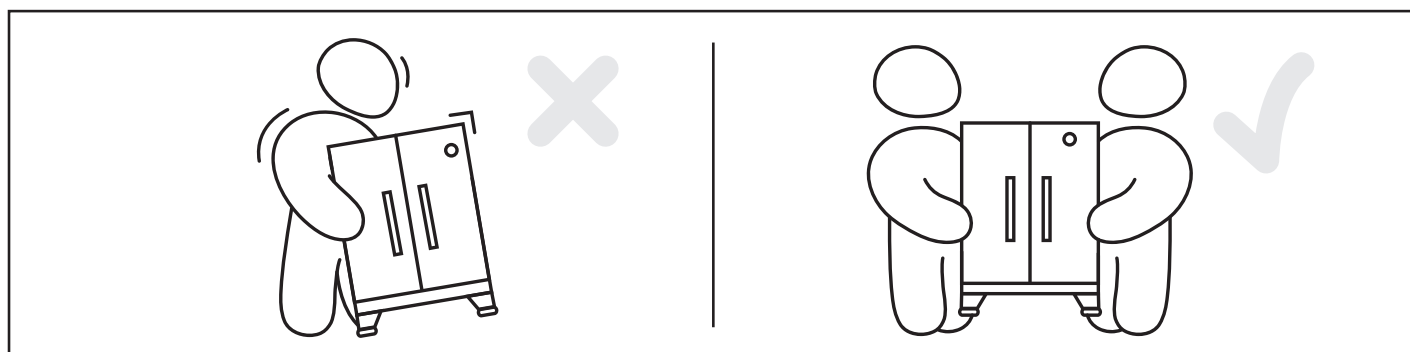
[Trou d'utilité - 27](#)

[Décal magnétique -28](#)

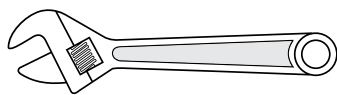
[Garantie - 29](#)

Déballage

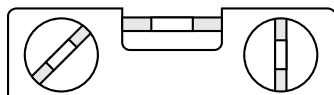
- Commencer par placer la boîte sur une surface plate recouverte.
- Retirer tout le carton, le matériel d'emballage en mousse et les sacs en plastique transparent.
- Mettre au rebus ou recycler tous les matériaux d'emballage.
- Vérifier tout le contenu de la boîte et rassembler les outils nécessaires. Voir Quantités In-cluses, Pièces Individuelles et Outils nécessaires ci-dessous.



Outils nécessaires



1 x clé ajustable



1 x vérin magnétique de 12 po



1 x localisateur de montants



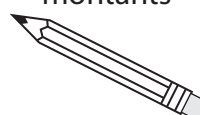
1 x ruban à mesurer



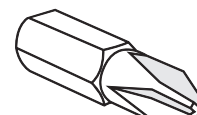
1 x cle a douilles de 7/16 po



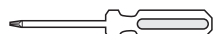
1 x douille de 7/16 po



1 x crayon



1 x tournevis Phillips #2



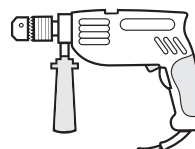
1 x tournevis cruciforme Phillips #2



1 x foret a 3/16" ou 6mm



1 x perceuse mecanique sans fil



1 x marteau perforateur



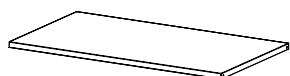
1 x meche à maçonnerie

[facultatif pour la maçonnerie]

Quantités Incluses

	Armoire de Plancher	Casier 30 po	Armoire Murale	Armoire Murale d'angle	Armoire d'outils mobile	Casier Grand
Package de pièces fournis	1	1	1	1	1	1
Jambe d'armoire	4	4	0	0	0	4
Pieds de réglage	4	4	0	0	0	4
Etagères ajustables	1	3	0	0	0	3
Poignées	2	2	0	0	4	2
Tringles	0	1	0	0	0	1
Support pour plan de travail	0	1	0	2	0	1
Plaque de fixation	1	0	0	2	0	0
Support de montage	0	0	0	2	0	0
EVA doublures de tiroirs	0	0	0	0	4	0
Grommet en caoutchouc	1	1	0	0	0	1
NewAge Logo	1	1	1	1	1	1
4" Roulettes	0	0	0	0	4	0

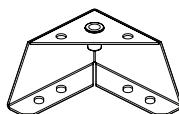
Pièces individuelles



Etagères ajustables



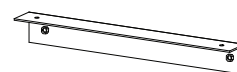
Tringles



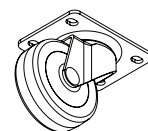
Jambe d'armoire



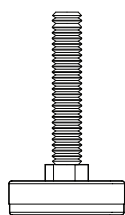
Poignées



Support pour plan de travail



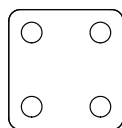
Roulettes



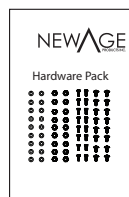
Pied réglable (M10 x 65mm)



Grommet en caoutchouc



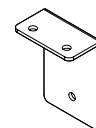
Plaque a joindre



Package de Pièces fournis



NewAge Logo



Support de montage



EVA doublures de tiroirs

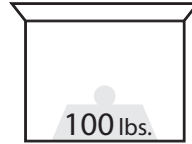
Capacité de poids



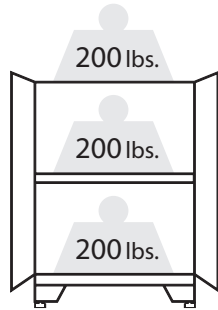
250 lbs par pied.
1000 lbs. par armoires



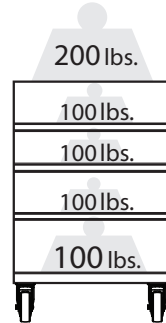
150 lbs. par roulettes
500 lbs. par armoires



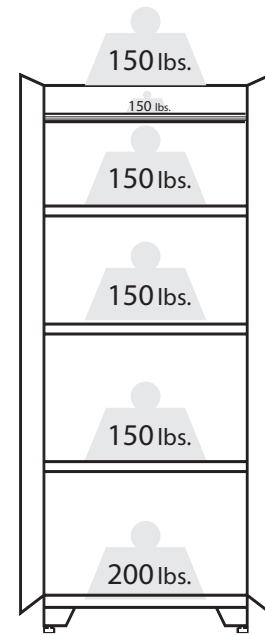
Armoires murales
Max 100 lbs.



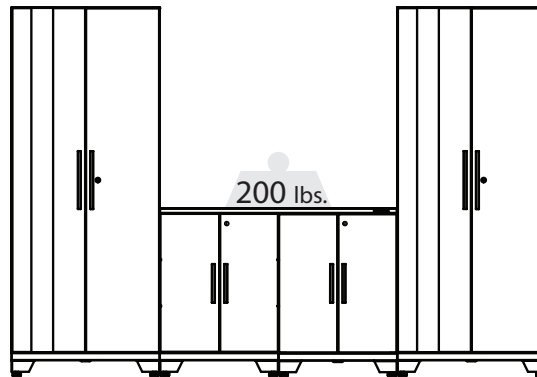
Armoires sur plancher
Max 600 lbs.



Armoires à outils
Max 600 lbs.



Casier
Max 800lbs.

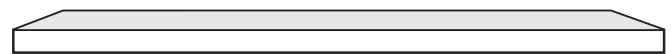


Plan de travail sur armoires
Max 200 lbs. / Cabinet

Options pour plan de travail



21" Etabli a l'angle



48" Etabli. Utiliser pour deux armoires



72" Etabli. Utiliser pour trois armoires

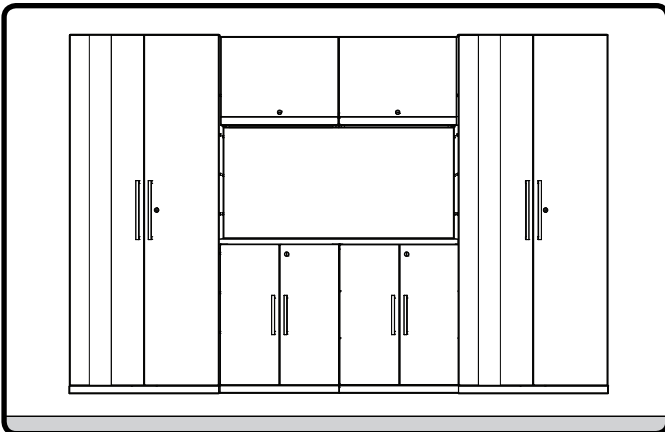
Les options d'installation pour armoires

i Informations importantes: S'il vous plaît lire avant de commencer l'installation.

- Les plans indiqués sont exemples. Dépendants de l'achat du client, les armoires peuvent être configurés dans une variété de configurations différentes.
- Planifier et mesure l'espace avant d'installer.
- Trouver les montants du mur avant l'installation.
- Considérez l'emplacement des prises électriques lors de la planification.
- Assurez-vous avez assez d'espace pour les armoires en hauteur.
- Armoires de plancher peuvent être placer même avec l'avant ou l'arrière du casier.

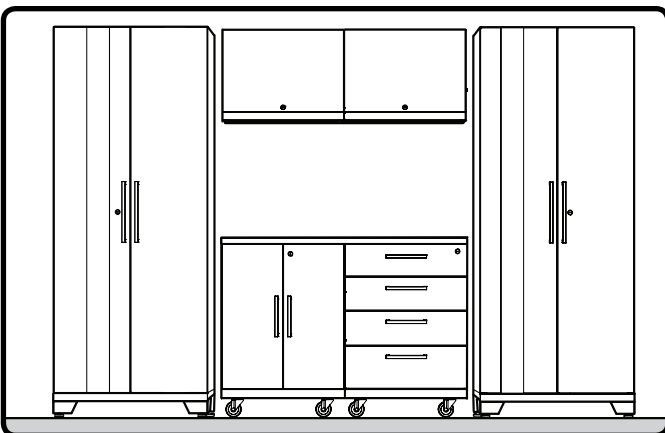
Option 2. - voir [page 8.](#)

Montage sur mur



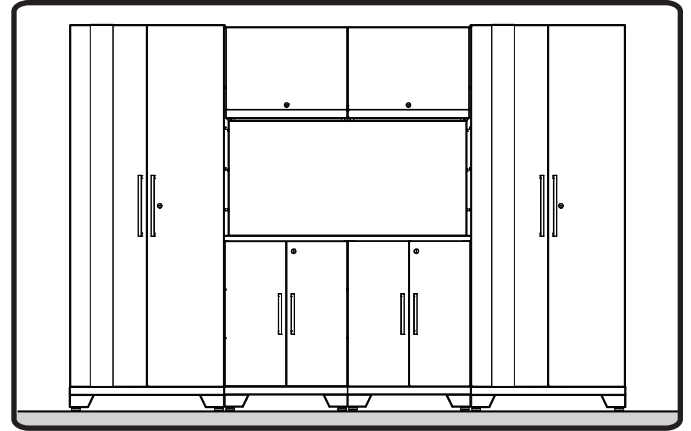
Option 4. - voir [page 10](#)

Ensembles avec roulettes. Remarque: Roulettes ne peut pas être installé sur les armoires de casier. Roulettes pas inclus dans tous les ensembles.



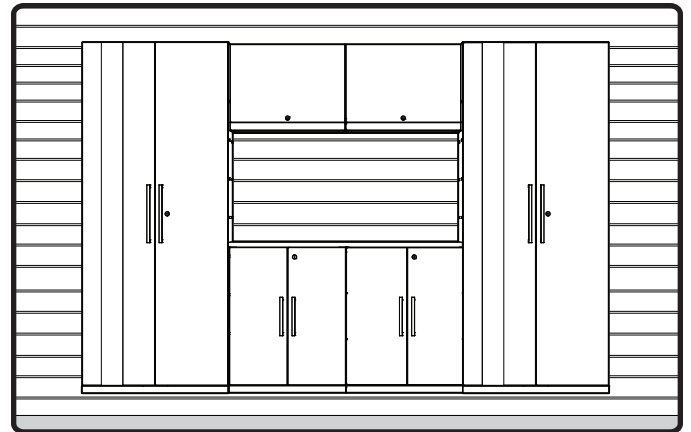
Option 1. - voir [page 7.](#)

Montage au plancher avec les pieds de nivellement réglables



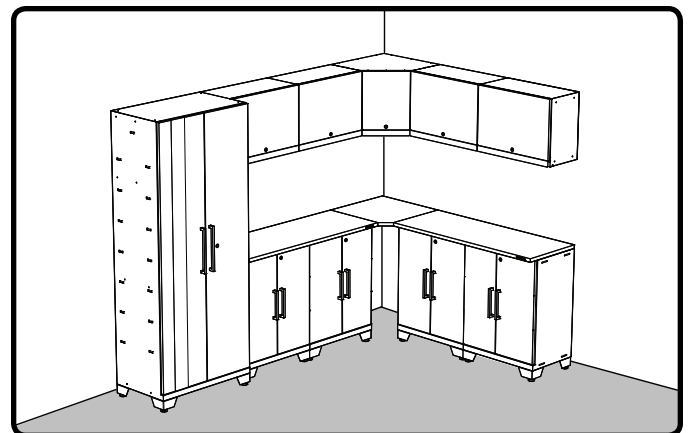
Option 3. - voir [page 9.](#)

Montage sur les lattes utilisant les supports pour lattes. (vendus séparément).



Option 5. - voir [page 11](#)

Installation de meuble à l'angle. Remarque: les armoires de coin peuvent être installés en utilisant tous options d'installation.



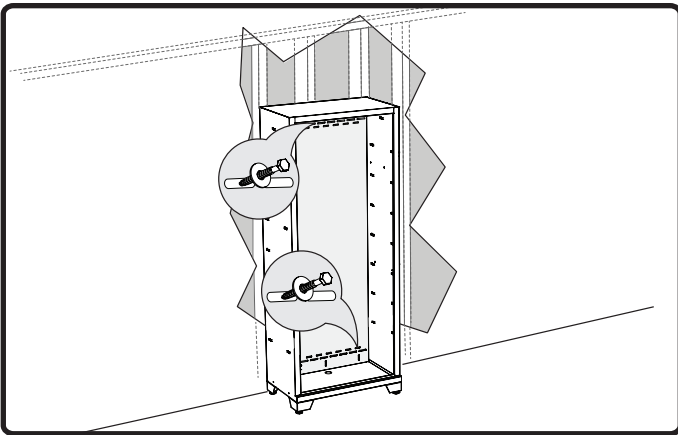
Option 1

L'installation sur plancher

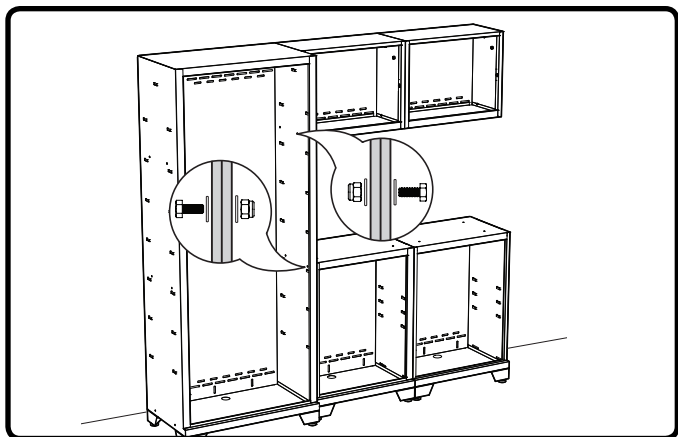
i Planifiez avant d'installer les armoires.

- C'est recommandé de commencer l'installation avec le casier.
- Armoires doivent être entièrement fixés au mur à l'aide (4) vis de mur par armoire.
- Roulettes ne peuvent pas être installés sur casiers.

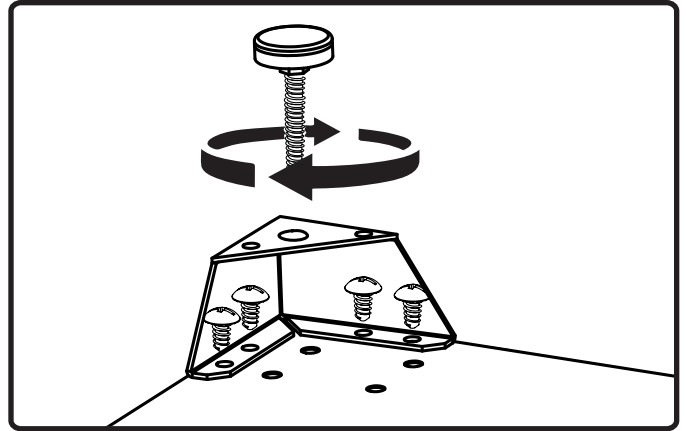
2 Commencez par fixer le casier au mur en position déterminé. Voir [page 14](#) pour les instructions complètes.



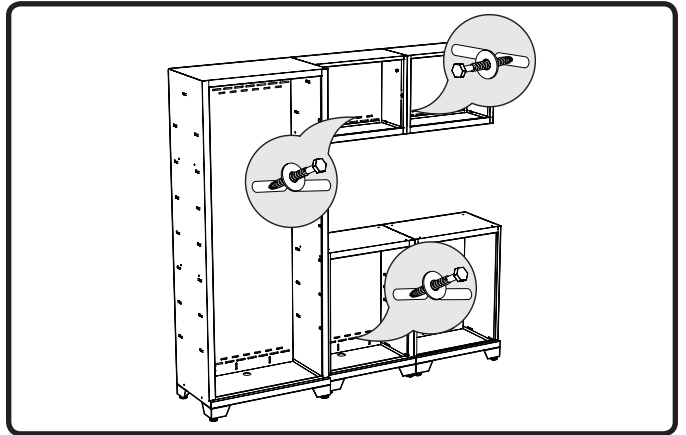
4 Fixer les armoires. Voir [page 15](#) pour obtenir des instructions détaillées de fixation.



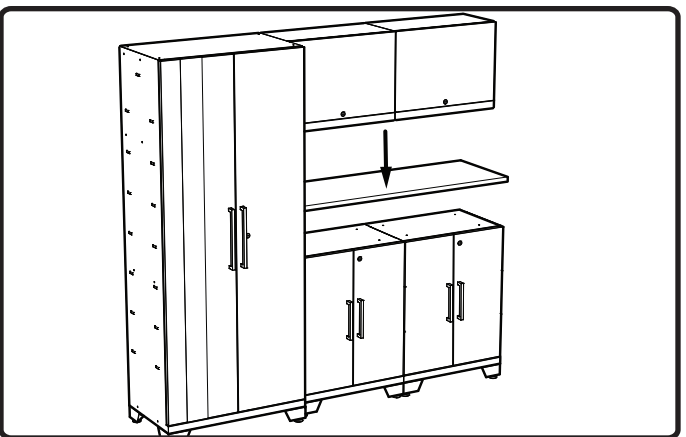
1 Fixez les pieds aux armoires. Voir l'installation des pieds à la [page 20](#).



3 Position et secure les armoires restant. Install les armoires une à la fois. Voir [page 14](#) pour des instructions complètes.



5 Attacher l'établi. Voir [page 17](#) pour les instructions complètes.



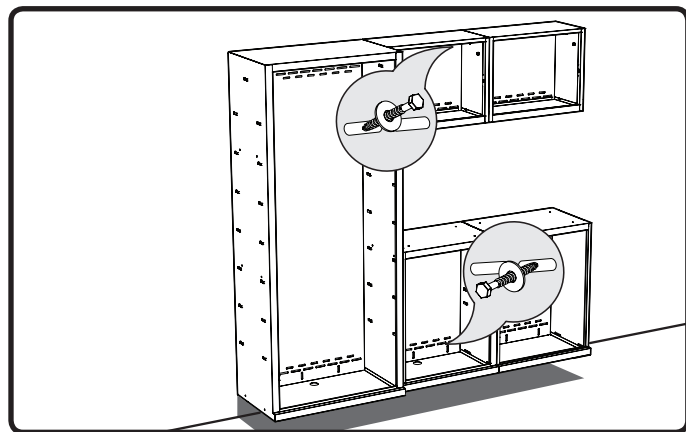
Option 2

Montage sur mur

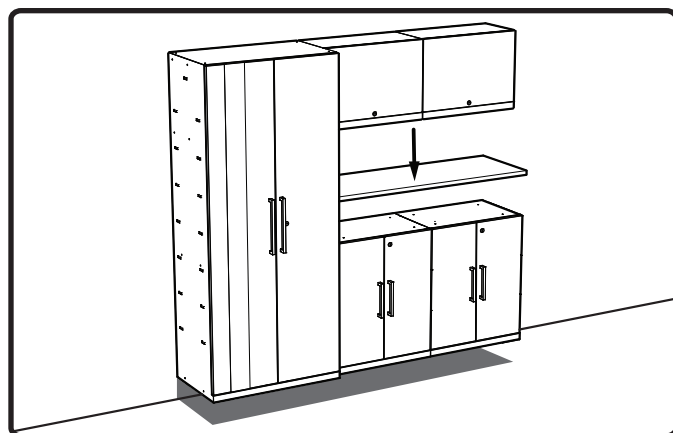
i Planifiez avant d'installer les armoires.

- Déterminer l'hauteur que les armoires seront être installés.
- C'est recommande de commencer l'installation avec le casier.
- Installer les armoires une à la fois.
- Armoires doivent être entièrement fixés au mur à l'aide (4) vis de mur par armoire.

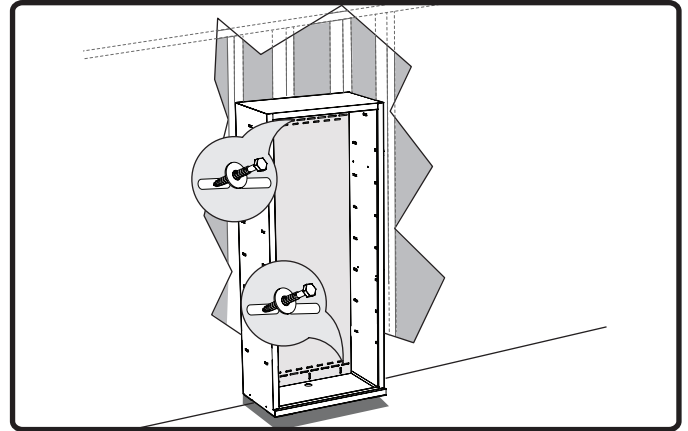
2 Position et secure les armoires restant au mur. Voir [page 12](#).



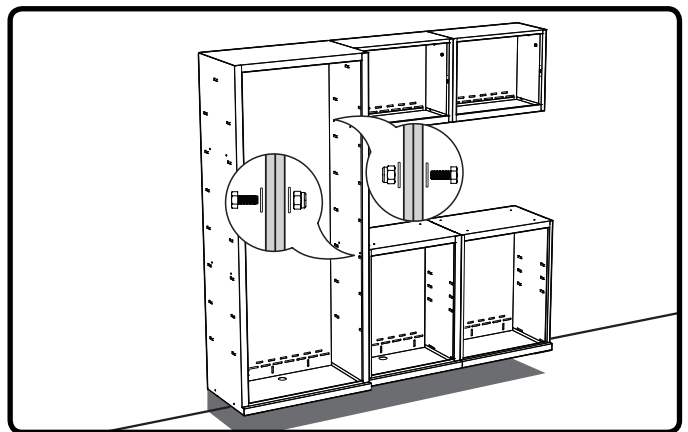
4 Attache l'établi. Voir [page 17](#) pour des instructions complètes.



1 Commencez par fixer le casier au mur. Voir [page 12](#) pour des instructions complètes pour suspendre les armoires au mur.



3 Fixer les armoires. Voir [page 15](#).



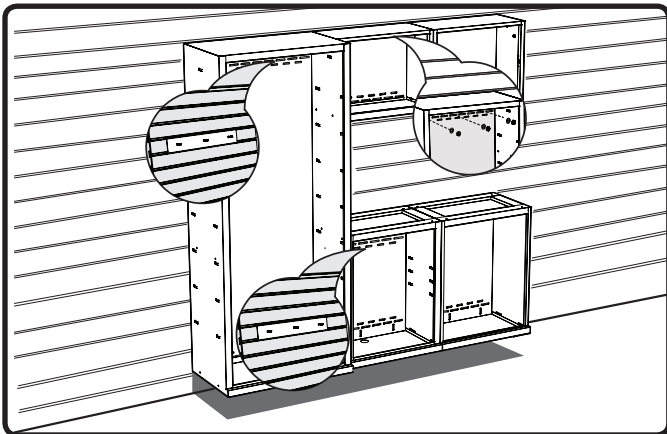
Option 3

Installation sur des panneau à lattes

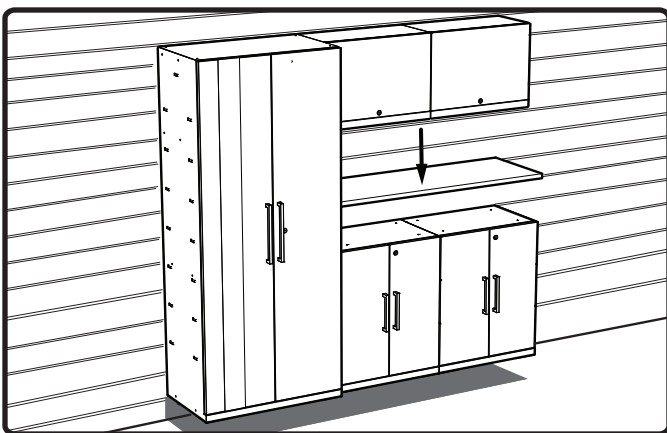
i Planifiez avant d'installer les armoires.

- Déterminer l'hauteur que les armoires seront être installés.
- Support de panneau à lattes vendus séparément.
- Supports des lattes soit utilisant avec le lattes 3" normal.
- Vérifiez fabricant de lattes pour la capacité de charge nominale.
- Ne pas surcharger.

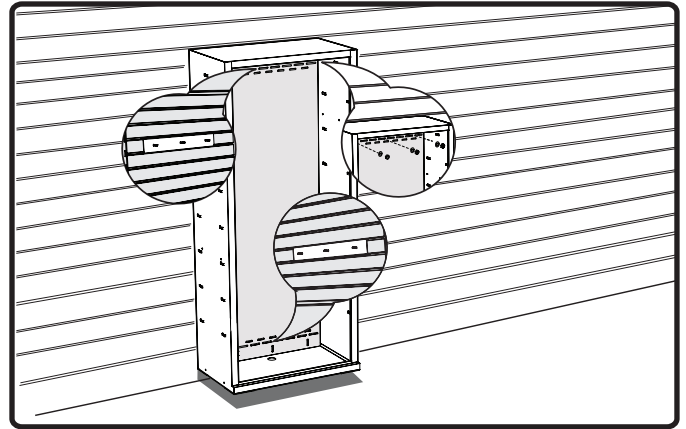
2 Position et secure les armoires restant au mur. Voir [page 13](#).



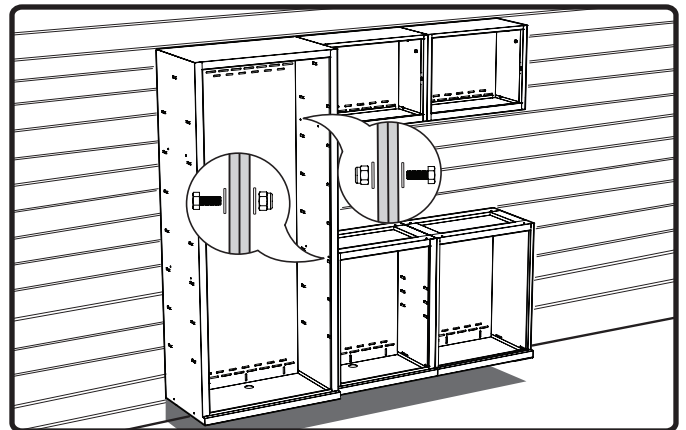
4 Attache l'établi. Voir [page 17](#) pour des instructions complètes.



1 Commencez par fixer le casier au mur utilisant les supports pour panneau a lattes. Voir [page 13](#) pour des instructions complètes pour suspendre les armoires au mur.



3 Fixer les armoires. Voir [page 15](#).



i Supports de lattes vendu separement. Voir quantités nécessaires ci-dessous.

- Casier et armoires sur plancher ,- par armoire (2) x 24" Support pour lattes. Pièce # 50979
- Armoires sur mur - par armoire (1) x 24" Support pour lattes. Pièce # 50979
- Meuble à l'angle - par cabinet (2) x12" Support pour lattes. Pièce # 50980

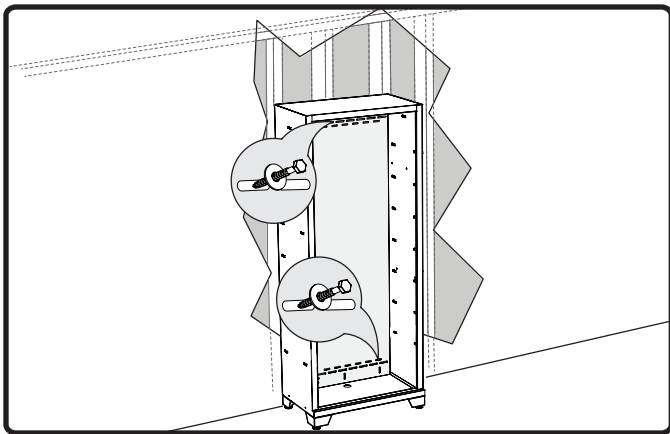
Option 4

Installation des roulettes

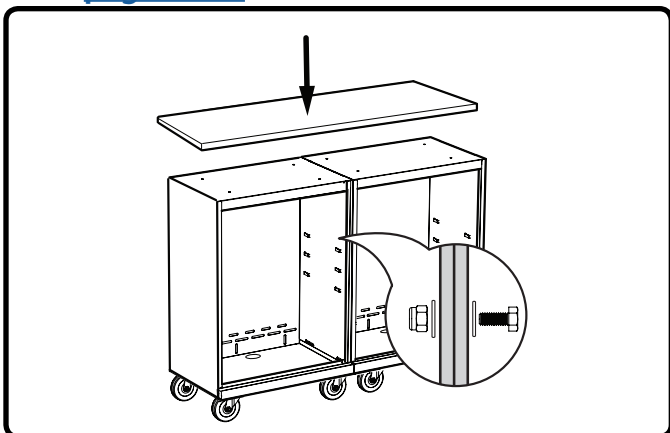
i Planifiez avant d'installer les armoires.

- C'est recommandé de commencer l'installation avec le casier.
- Installer les armoires une à la fois.
- Armoires doivent être entièrement fixés au mur à l'aide (4) vis de mur par armoire.
- Roulettes pas inclus dans tous les ensembles.

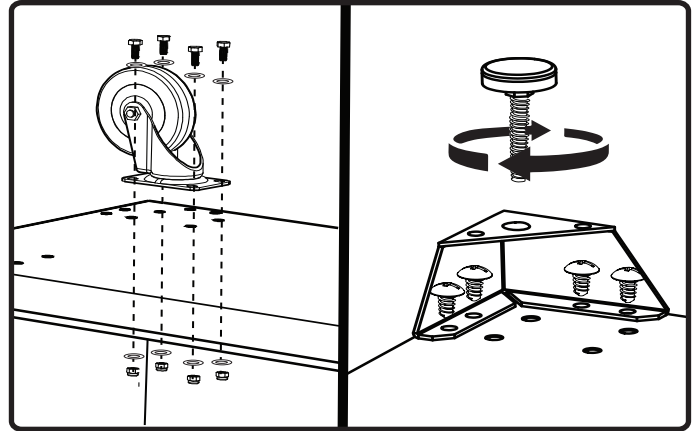
2 Commencez par fixer le casier au mur en position déterminé. Voir [page 14](#) pour les instructions complètes.



4 Fixer les armoires de base avec le plaque de jonction et fixer l'établi. Voir [page 16-17](#).

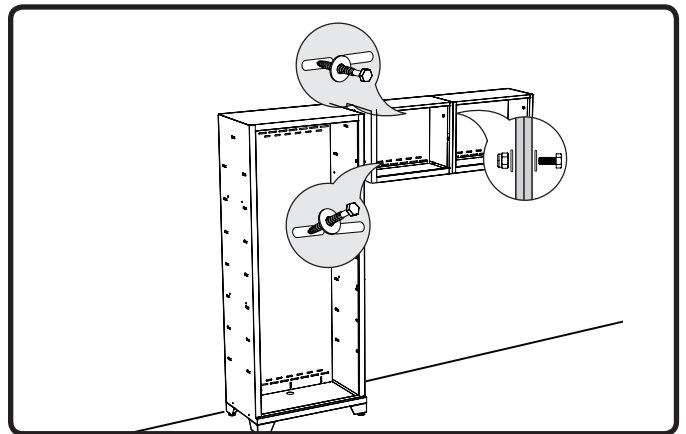


1 Fixez les pieds aux casiers. Fixer les roulettes aux armoires de plancher. Voir l'installation complète sur les [pages 20 et 21](#).

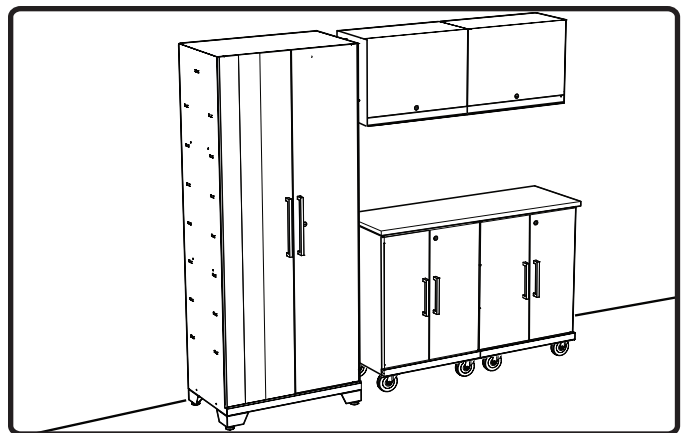


Sécuriser les armoires murales au mur et fixer ensemble. Un écart de 2" est recommandée

3 entre armoire murale et un casier pour permettre d'espace pour les armoires sur casters. See [page 14 & 15](#) pour des instructions complètes.



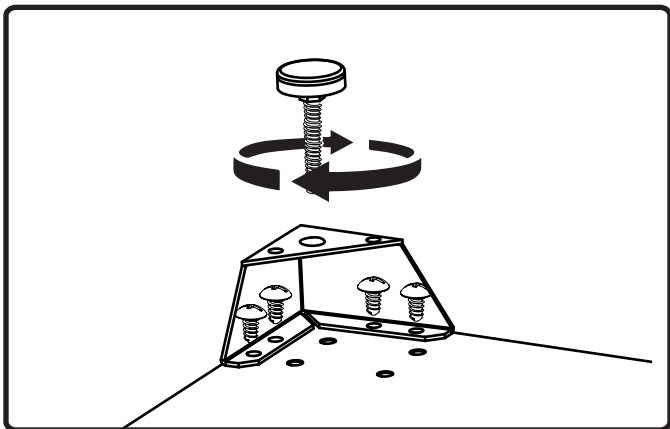
5 Position les armoires.



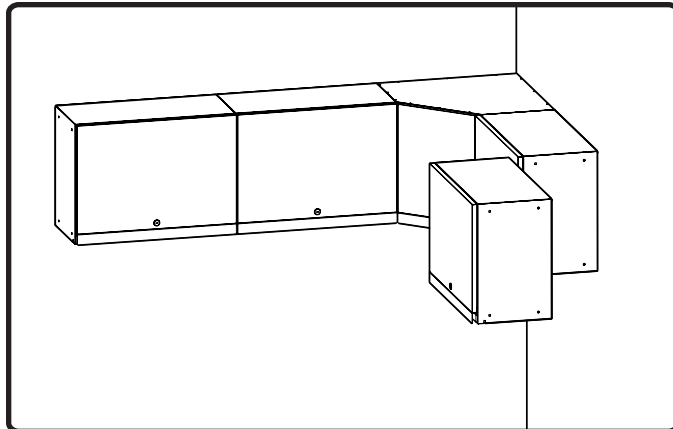
Option 5

Installation des armoires a l'angle

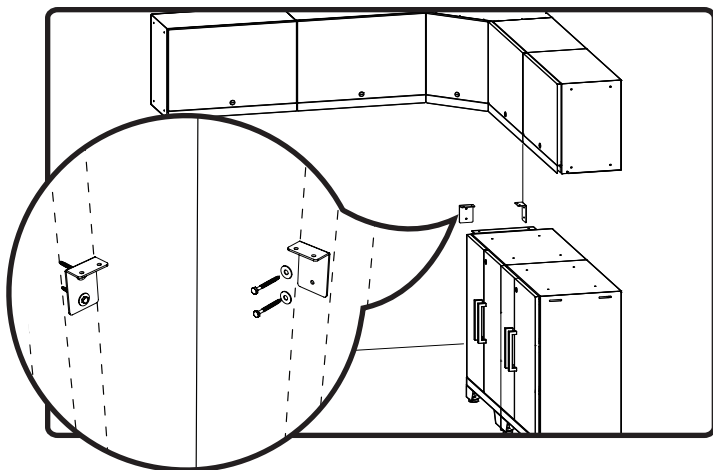
- 1** Fixez les pieds aux armoires. Voir l'installation des pieds à la [page 20](#).



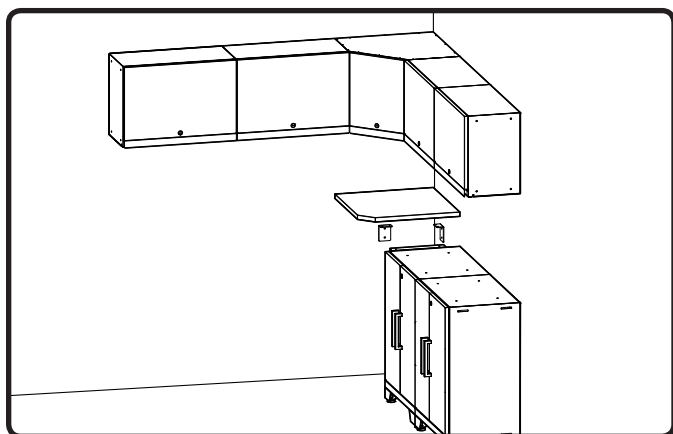
- 2** Installer les armoires murales de coin suivi par autres armoires murales. Voir les instructions complètes sur les [pages 14](#).



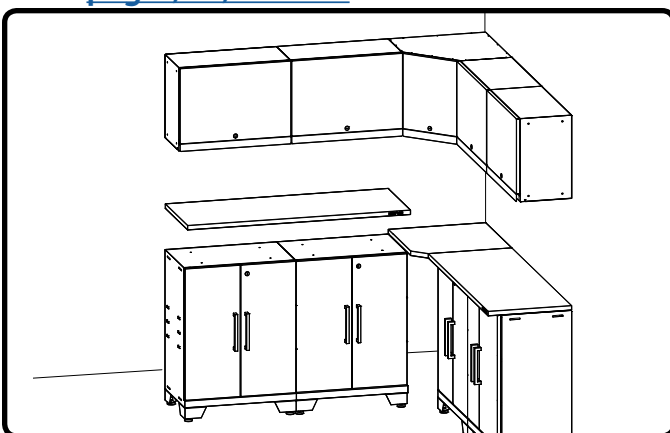
- 3** Installer les supports de mur pour le plan de travail et les armoires de base. Voir [page 19](#).



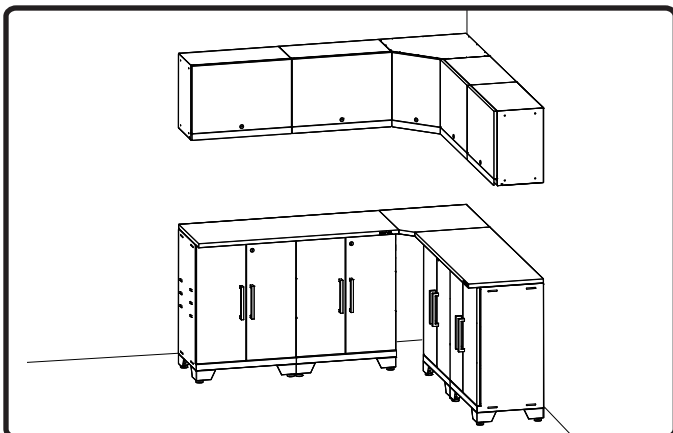
- 4** Installer le plan de travail au coin. Voir [page 19](#).



- 5** Position, sécurisé et joindre toutes les armoires restants et plans de travail. Voir [pages 14, 15 et 17](#).



- 6**



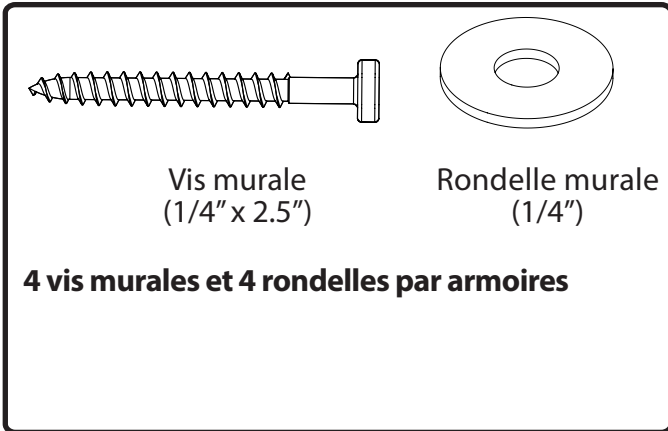
Armoires suspendues sur clouté mur



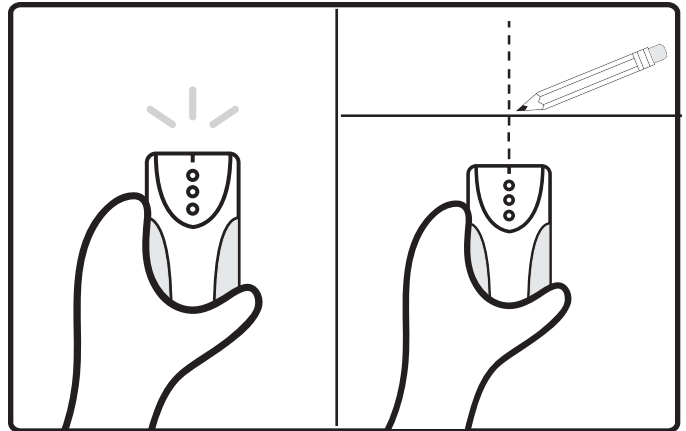
Remarque:

Ne pas charger l'armoire sans avoir d'abord fixé au mur.

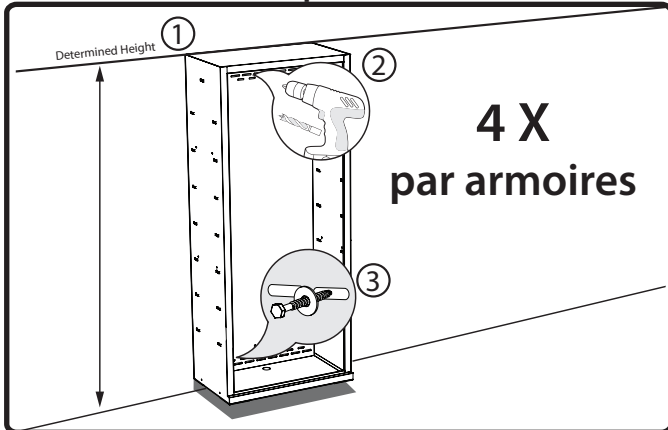
1 Rassembler les pièces.



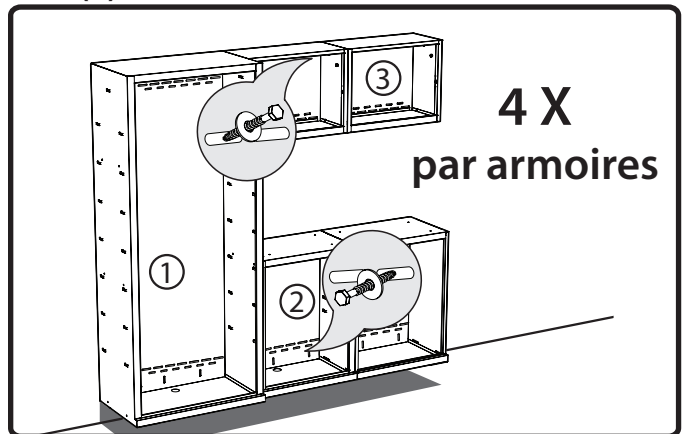
2 Utiliser le localisateur de montants pour repérer les montants et tracer une ligne sur la cloison avec un crayon.



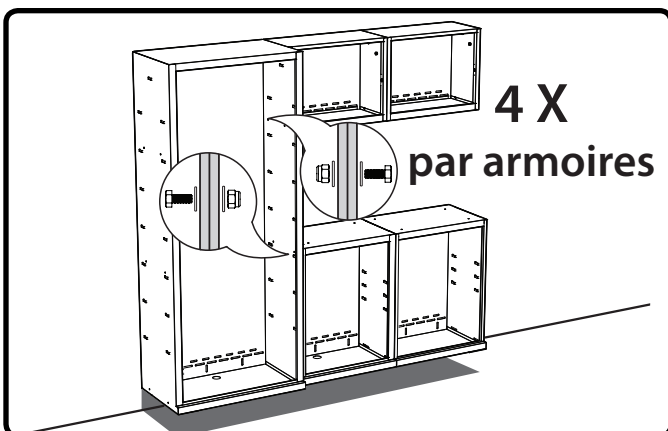
3 Commencez par fixer le casier au mur. Aligner le hauteur de l'armoire avec la ligne de crayon (1), percer dans les montants à travers des trous dans l'armoire (2). Utilisez des vis de mur pour fixer à la mur (3).



4 Joindre les armoires de base (2), et armoires murales (3) au mur en utilisant même méthode que le casier armoire (1).



5 Terminez par la fixation des armoires ensemble. Voir [page 15](#) pour des instructions détaillées



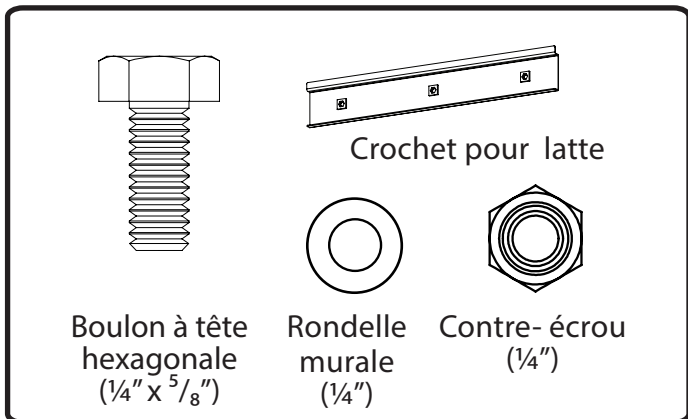
i Maçonnerie.

- Suivre les étapes 1 à 5.
- Percer 4 avant-trous dans la bande perforée avec le marteau perforateur et la mèche à maçonnerie.
- Fixer 4 x (2 1/4 po x 1/4 po) ancrages pour béton Tapcon (2 1/4 po x 1/4 po) dans le mur. (Non inclus)
- OU 4 x (#10 x 2 po) vis n° 10 x 2 po avec cheville de maçonnerie de 3/16 po. (Non inclus)
- Suivre l'étape 6.

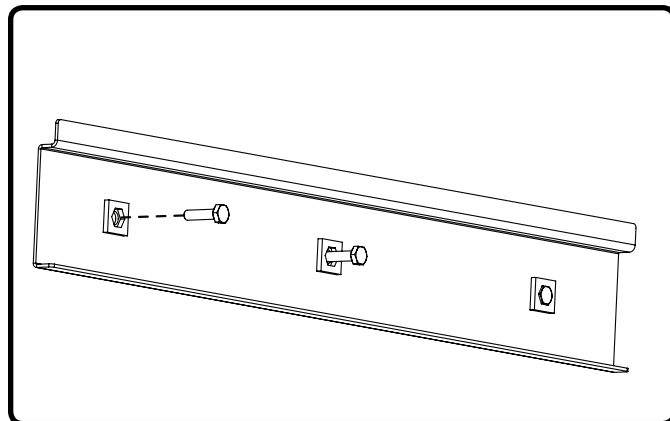
Armoires suspendues sur lattes

Remarque : Les supports pour les parois à lattes du 3 pouces standard sont vendus séparément. Vérifier auprès de votre fournisseur de parois à lattes pour déterminer la capacité nominale de votre paroi à lattes. **NE PAS SURCHARGER.** Les supports pour les parois à lattes sont compatibles seulement pour les parois à lattes 3 pouces standard.

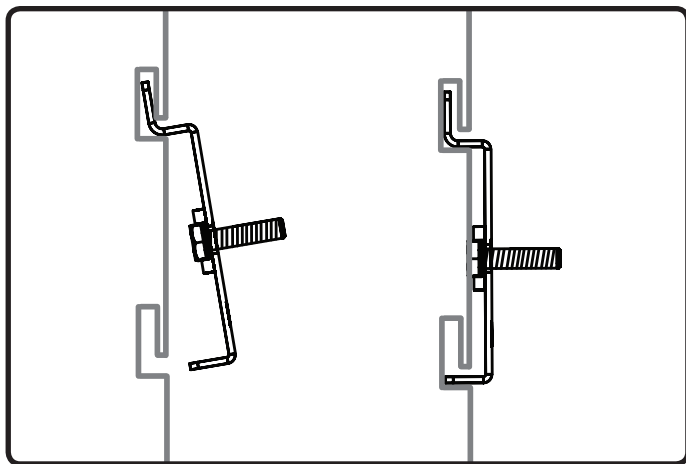
i Pièces nécessaires.



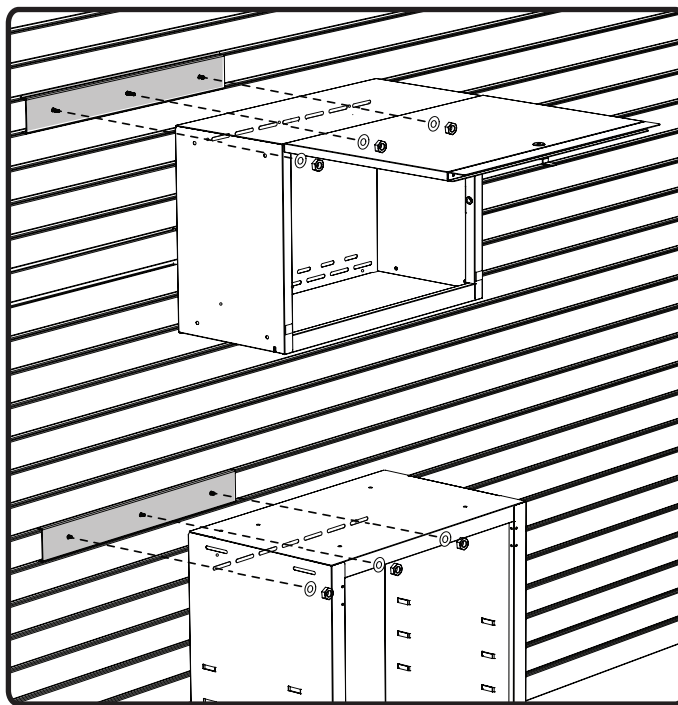
1 Insérer les boulons dans le support de la cloison sèche.



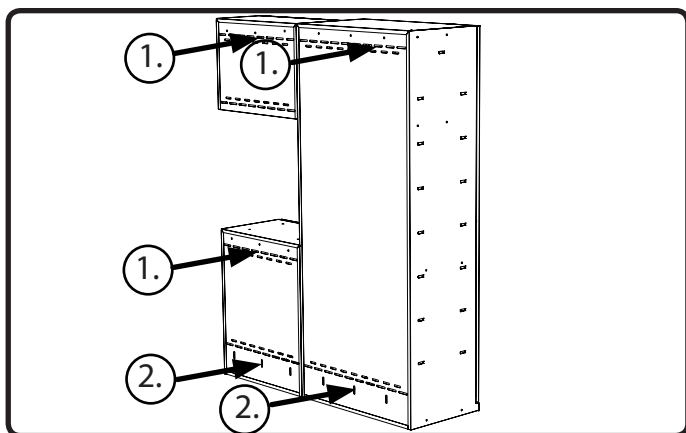
2 Fixer le support sur latte à la hauteur désirée.



4 Aligner le boulon avec des fentes à l'arrière de l'armoire et accrocher cabinet.



3 Placement des supports. Supports nécessaires par armoire. Mur - 1, Casier, base et outils - 2.



Remarque: Pour le casier joindre deuxième support 66" ci-dessous le premier support. Pour l'armoire en bas, joindre deuxième support 18" ci-dessous la première support.

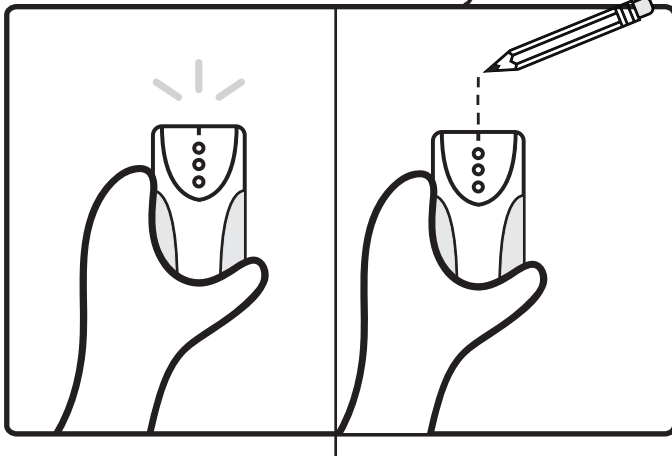
Montages des armoires sur clouté mur



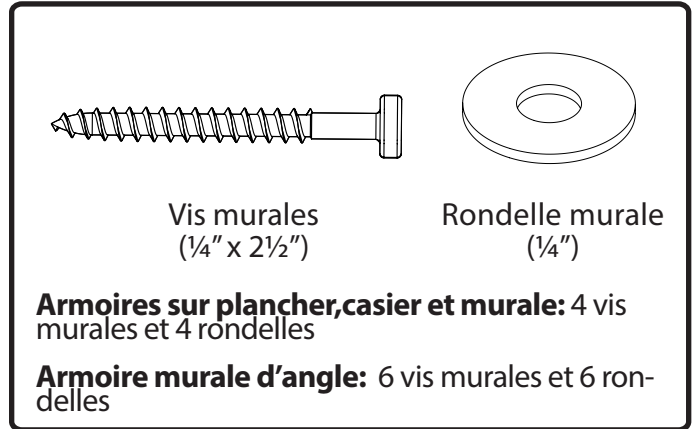
Remarque:

Ne pas charger l'armoire sans avoir d'abord fixé au mur.

- 1** Utiliser le localisateur de montants pour repérer les montants et tracer une ligne sur la cloison avec un crayon.



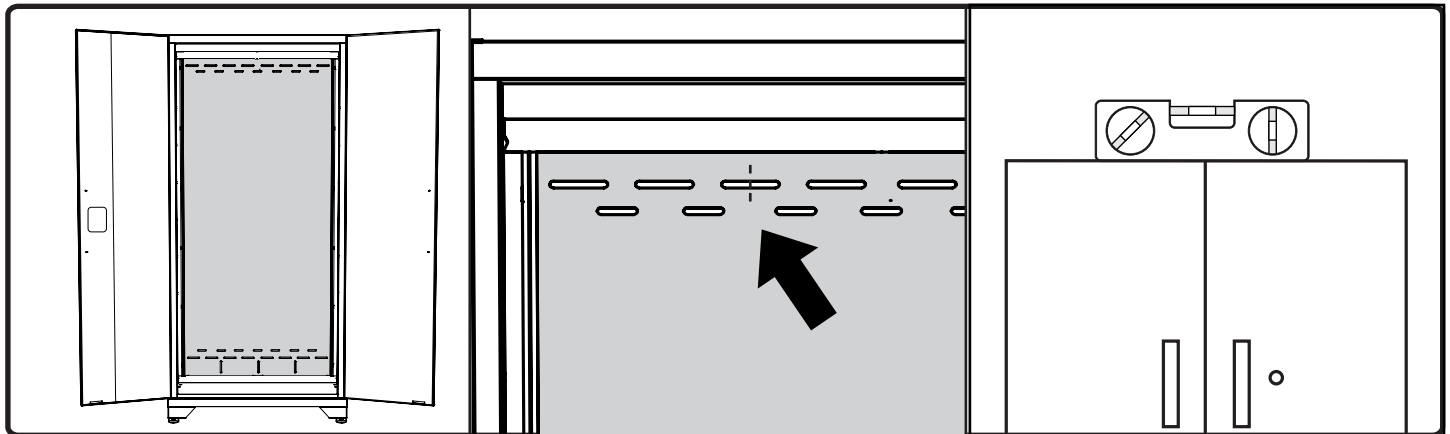
- 2** Rassembler les pièces.



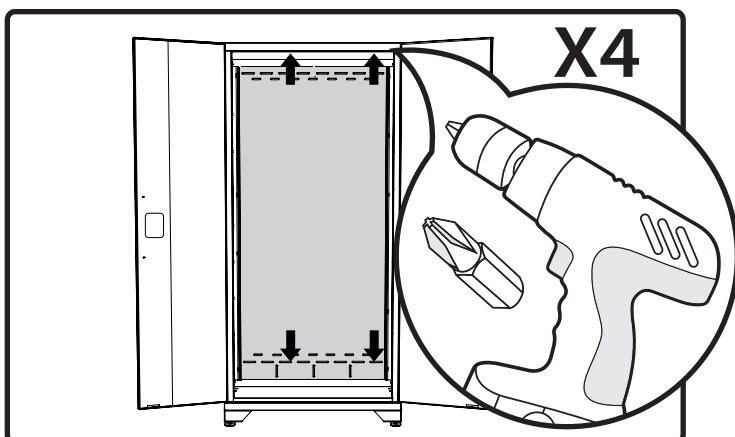
- 3** Bien appuyer l'armoire contre le mur.

- 4** Aligner l'armoire sur les marques des montants.

- 5** Mettre l'armoire à niveau



- 6** Pré-forage (4) 1/4" (6.5mm) trous puis percer 4 vis et rondelles murales à travers des trous percés dans les montants.



i Maçonnerie.

- Suivre les étapes 3 à 5.
- Percer 4 avant-trous dans la bande perforée avec le marteau perforateur et la mèche à maçonnerie.
- Fixer 4 x (2 1/4 po x 1/4 po) ancrages pour béton Tapcon (2 1/4 po x 1/4 po) dans le mur. (Non inclus)
- OU 4 x (#10 x 2 po) vis n° 10 x 2 po avec cheville de maçonnerie de 3/16 po. (Non inclus)
- Suivre l'étape 6.

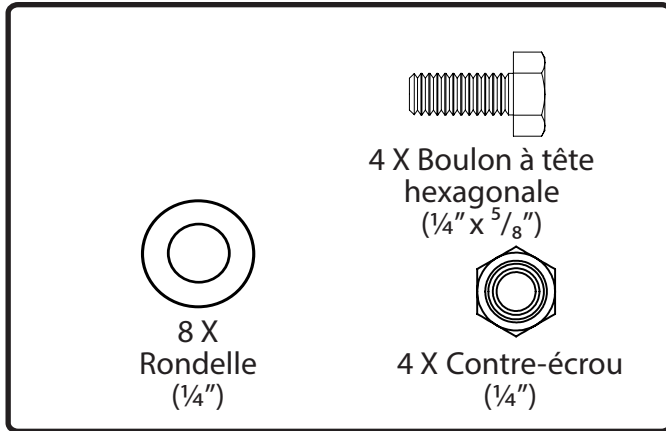
Fixation des armoires

Remarque:

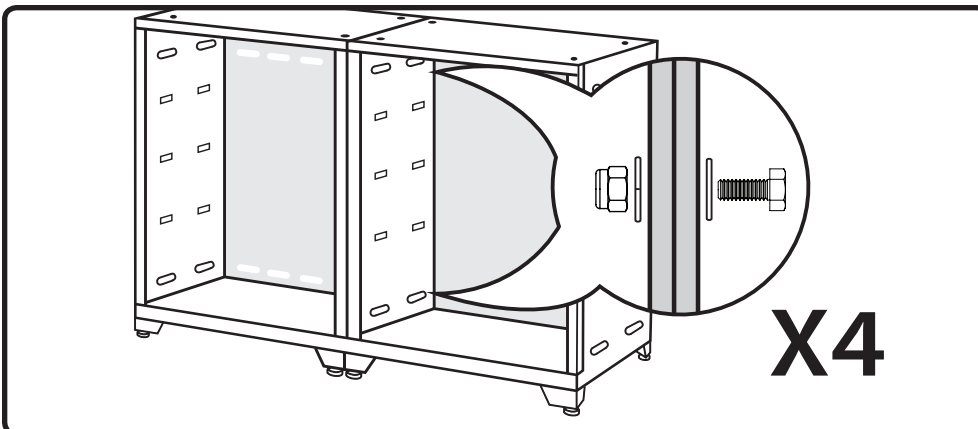
Tous les tiroirs doivent être enlevés avant des armoires de fixation ensemble.

Voir [page 22](#) pour les instructions .

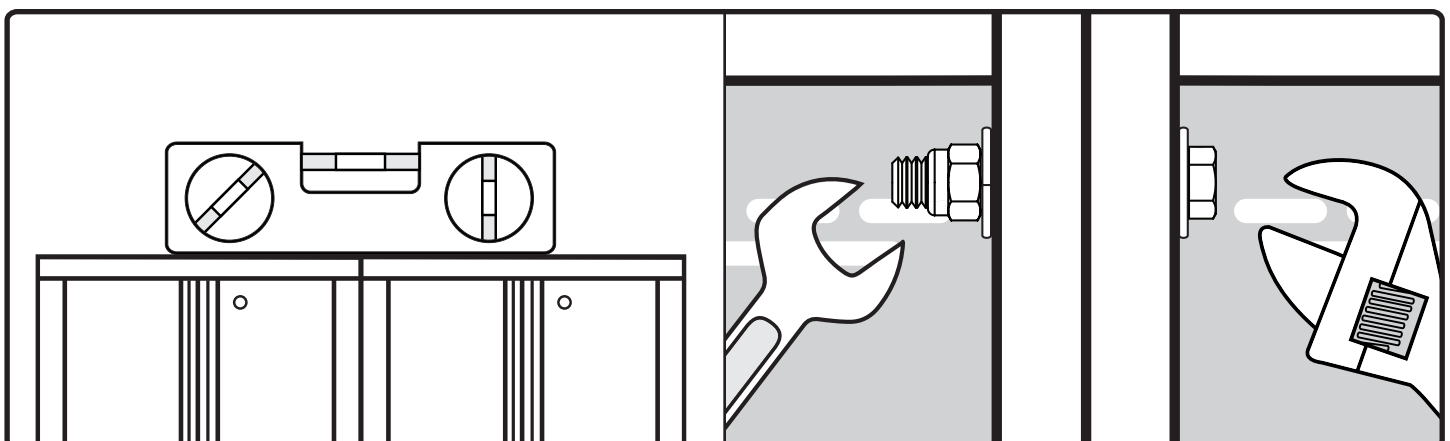
1 Pièces nécessaires.



2 Alignez les boulons, serrez légèrement.

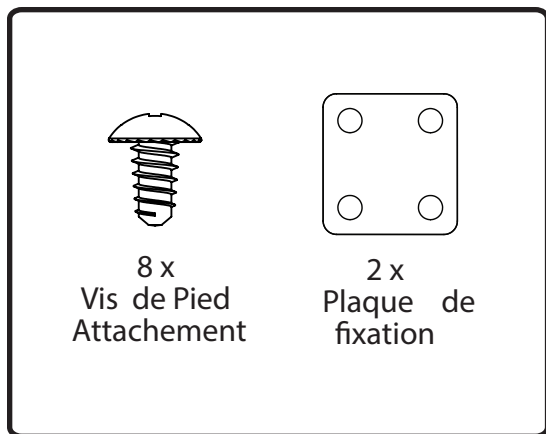


3 Mettre à niveau les armoires et serrer tous les boulons.

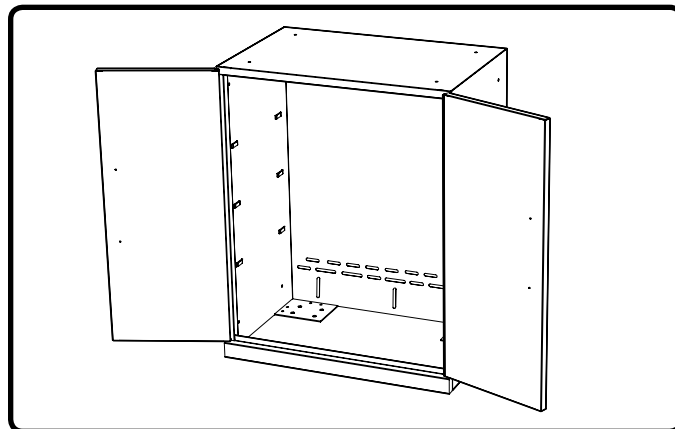


Fixation des armoires avec roulettes

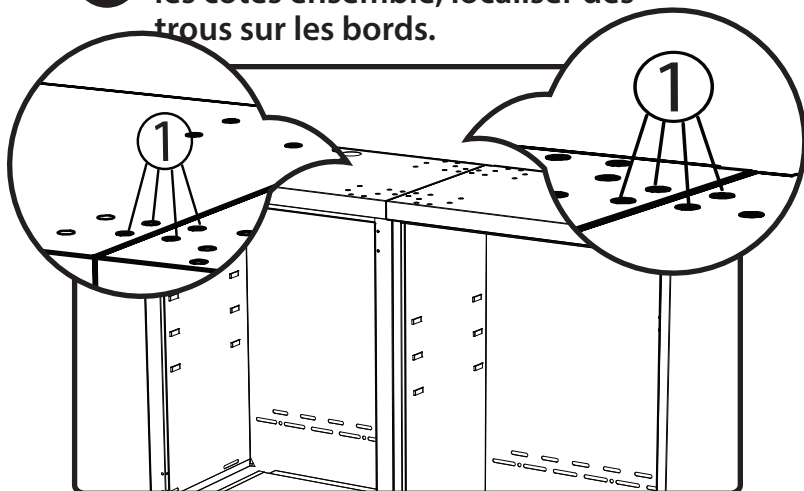
i Pièces nécessaires.



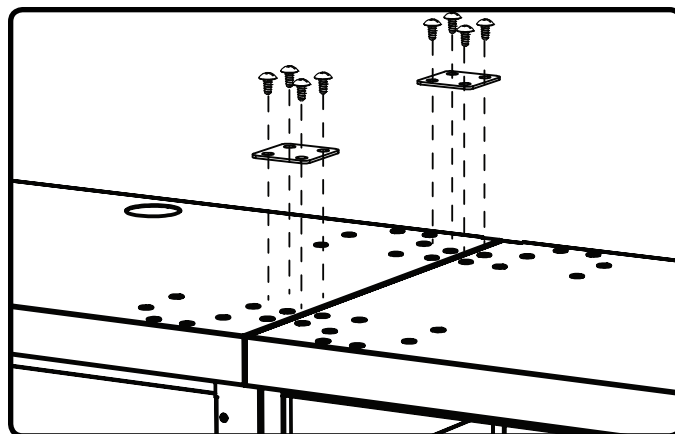
1 Ouvrir l'armoire et retirer les étagères ou les objets épars.



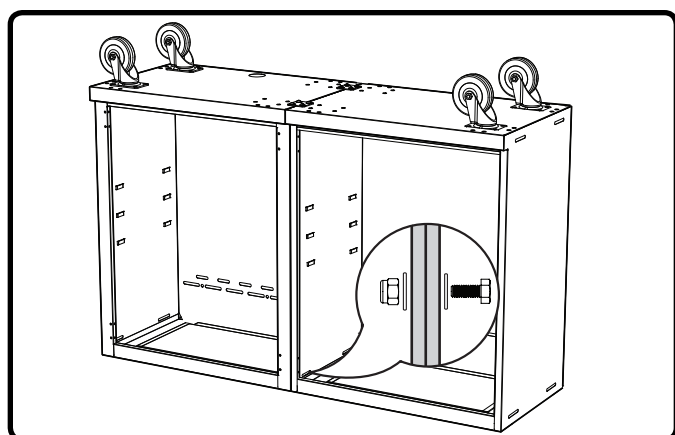
2 Retournez les armoires et pousser les côtés ensemble, localiser des trous sur les bords.



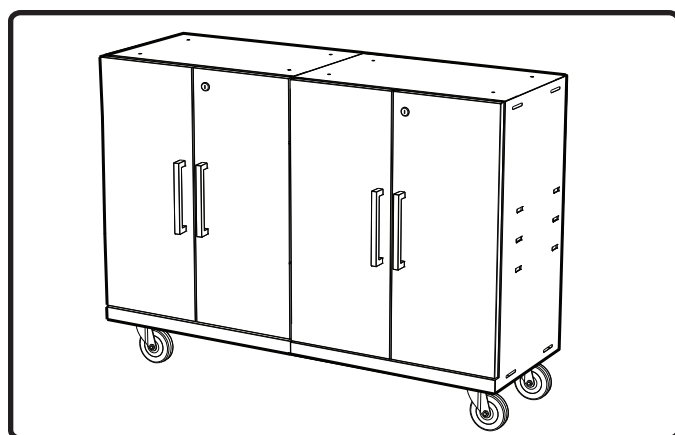
3 Aligner les trous avec le paque de fixation et fixer à l'aide des vis de fixation du pied.



4 Fixer les roulettes et fixer les armoires. Voir [pages 15. & 21.](#)

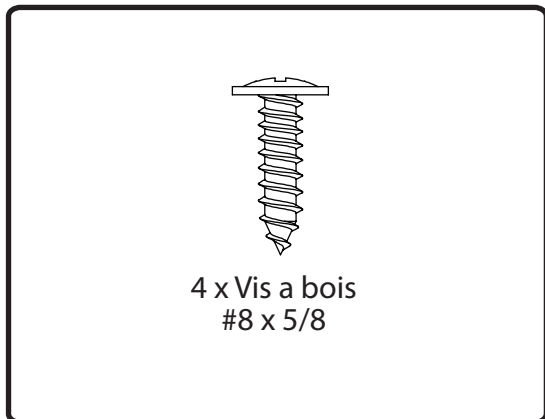


5

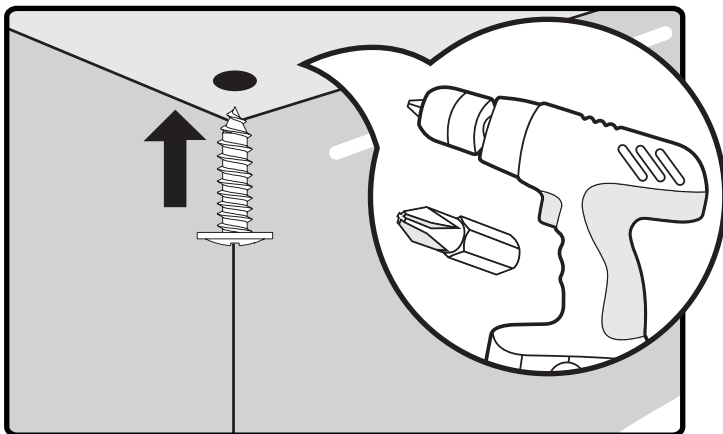


Montage d'établi

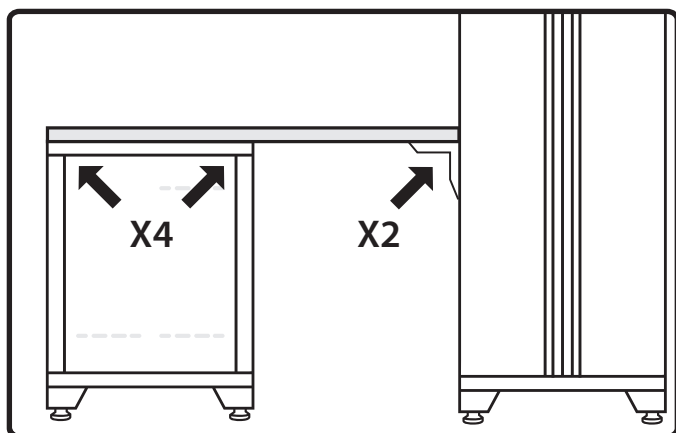
i Pièces nécessaires.



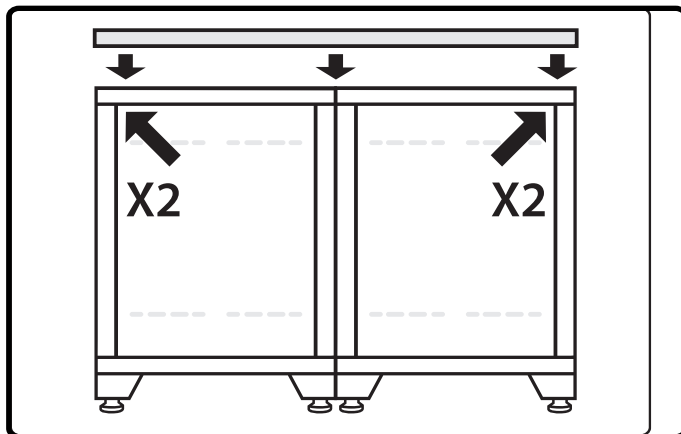
2 Percer dans le plan de travail en utilisant les "vis # 8 x 5/8 de bois.



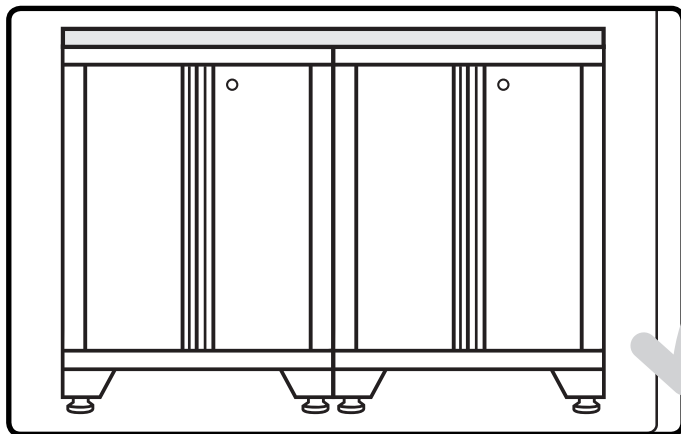
i En option: Pour le casier console de support. Voir [page 18](#).



1 Placez le plan de travail sur les armoires. Repérez les trous de perforation sur les sommets des armoires.



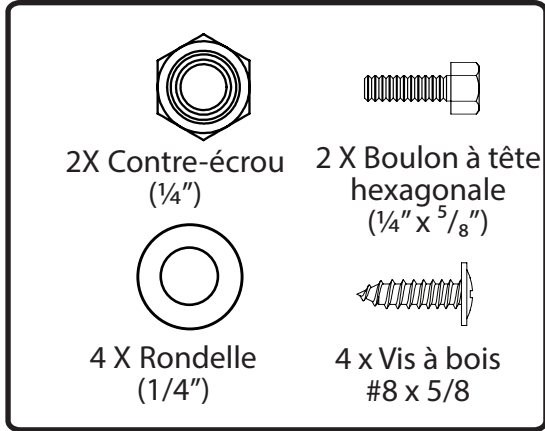
3



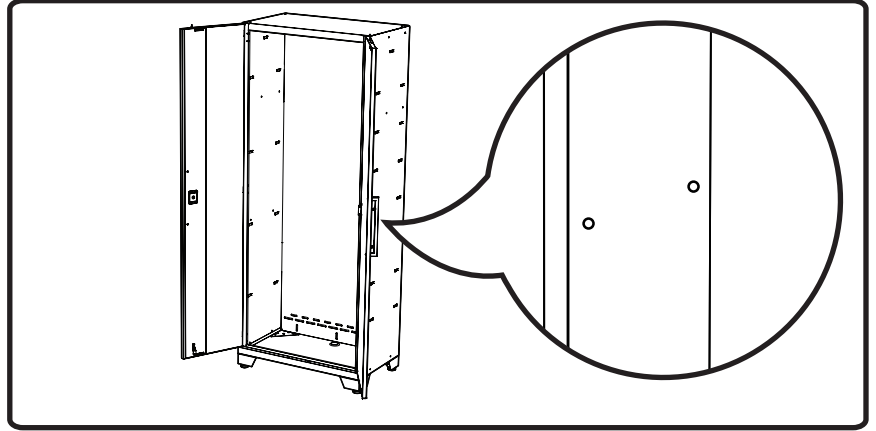
Installation du palier de support latéral du plan de travail

Note: Support d'établis inclus avec casier. Un support d'établi doit être utilisé si l'établi est ajouté à l'ensemble sans un armoire secondaire.

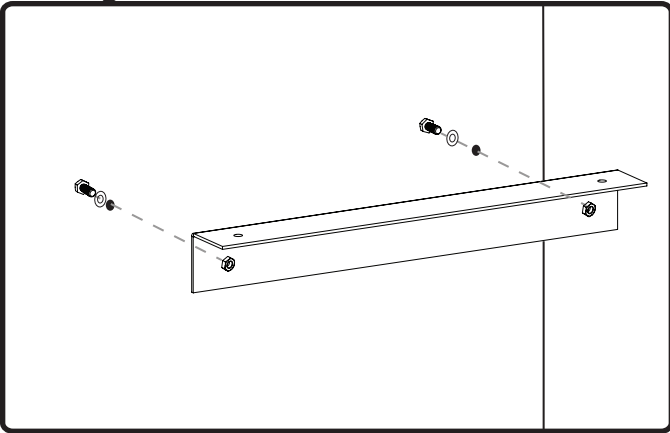
i Pièces nécessaires.



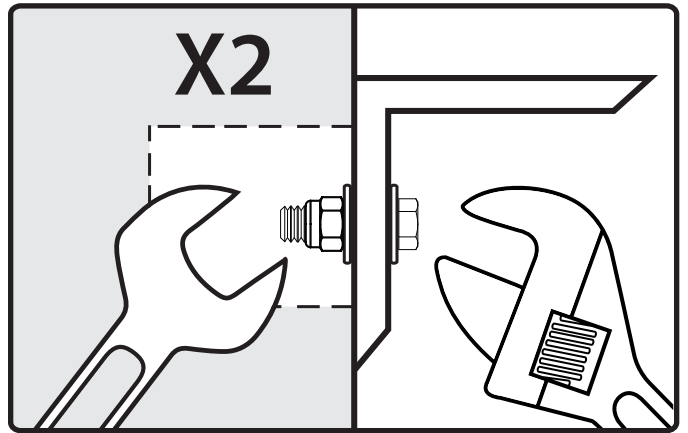
1 Ouvrir l'armoire-vestiaire et repérer les trous de chaque côté de l'armoire.



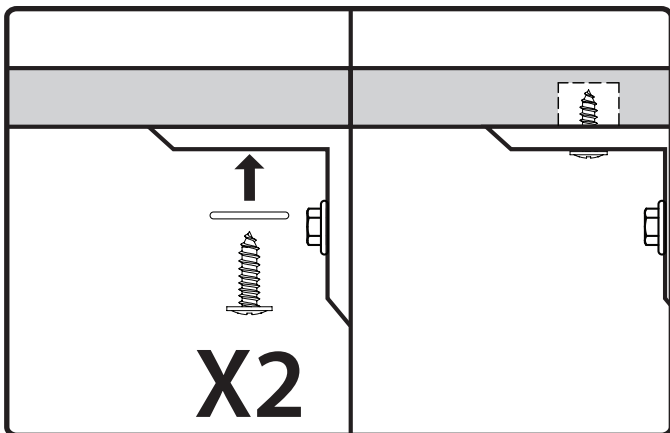
2 Aligner les trous du support avec des trous de casier et insérer des boulons à tête hexagonale à travers les trous.



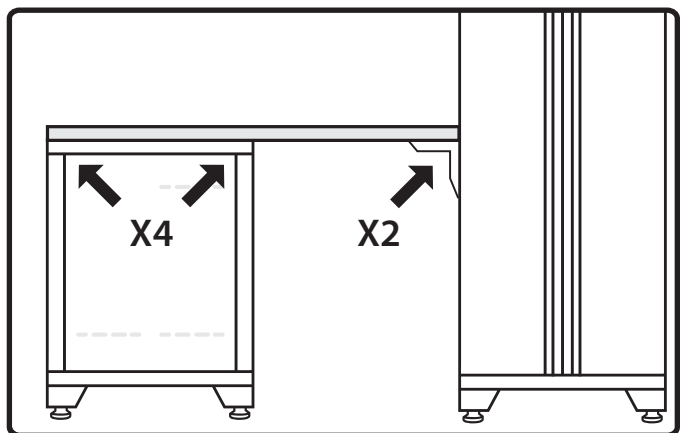
3 Serrer les écrous, boulons et rondelles de sécurité.



4 Utilisez # 8 x 5/8" vis à bois et des rondelles, fourni dans l'emballage de casier.

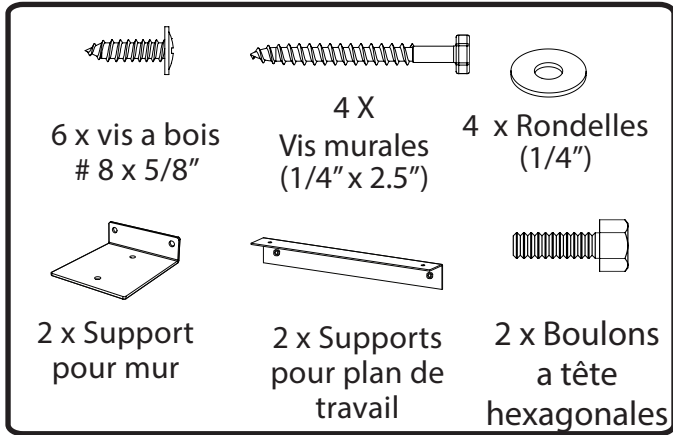


5



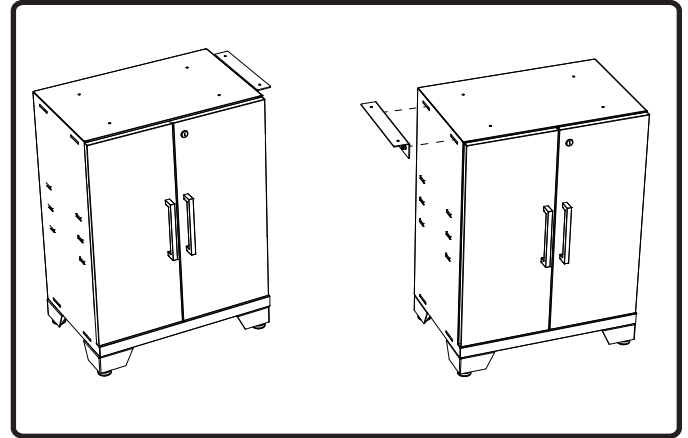
Installation du plan de travail a l'angle

i Pièces nécessaires.



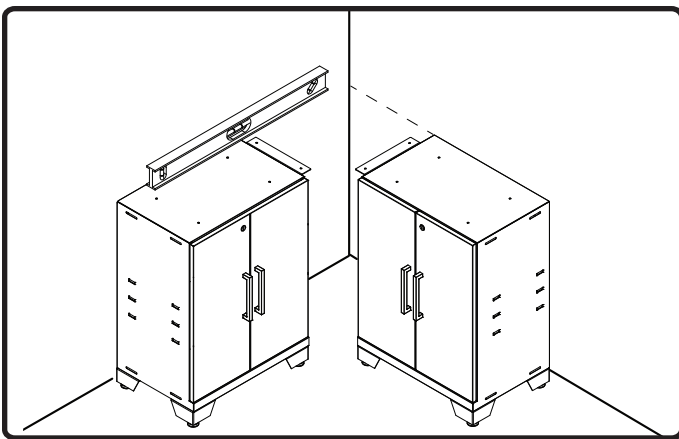
Remarque: Assurez-vous qu'il ya assez de place de montage. Armoires doivent être assemblés loin de coin pour accéder à dos des armoires.

1 Installer les supports sur les deux armoires de base qui seront adjacentes à l'angle de plan de travail. Voir l'étape 2 à la [page 18](#).

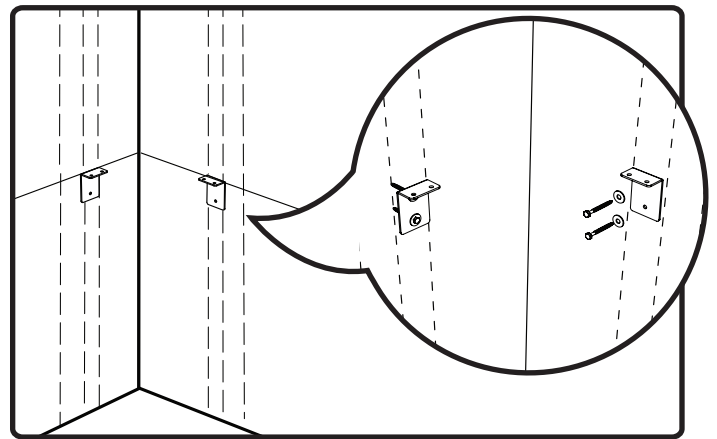


Aligner le haut du support mural avec le ligne de crayon. Pré-percer 1/4 (6.5mm) trous , puis à l'aide de (2) X 2,5" vis murales par support attache les supports de mur dans les montants du mur.

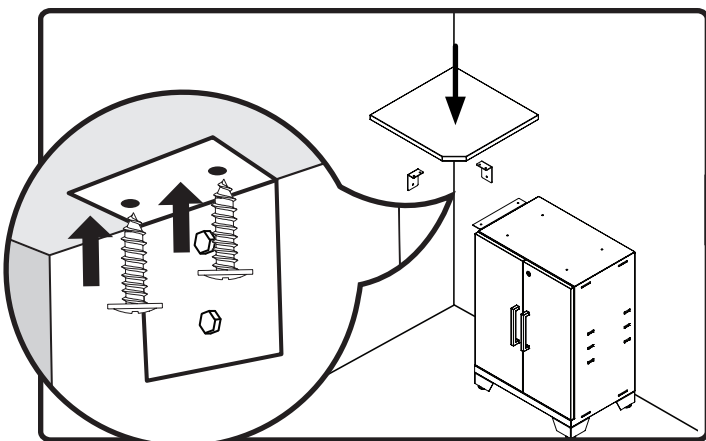
2 Placez les deux armoires dans le coin désiré. Marquer une ligne de crayon de niveau à la hauteur des armoires.



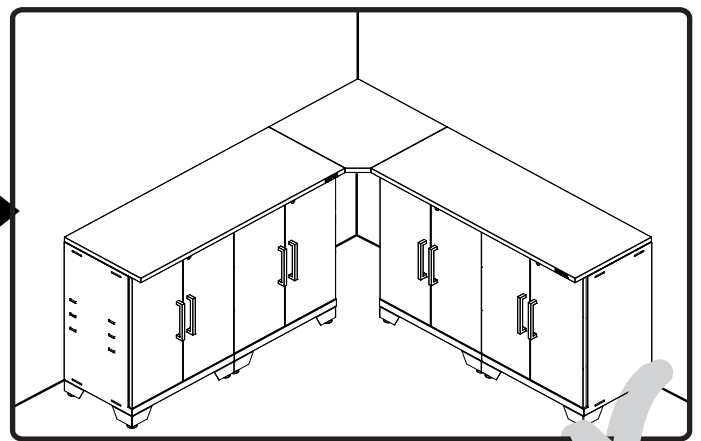
3



4 Position une armoire en position et fixer les armoires de coin aux supports en utilisant # 8 x 5/8" vis à bois.

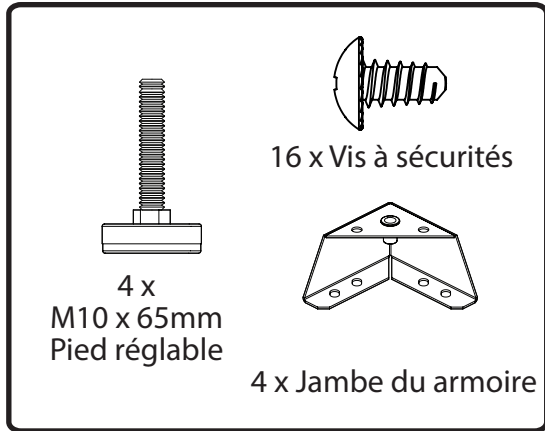


5 Fixer les armoires et les comptoirs restants. Voir [page 17](#).

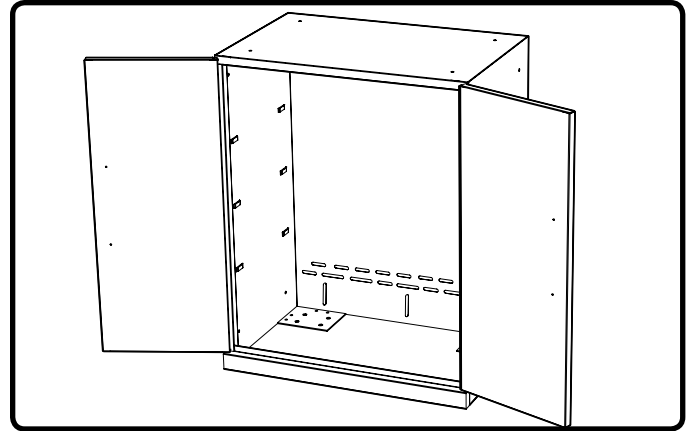


Installation des pieds

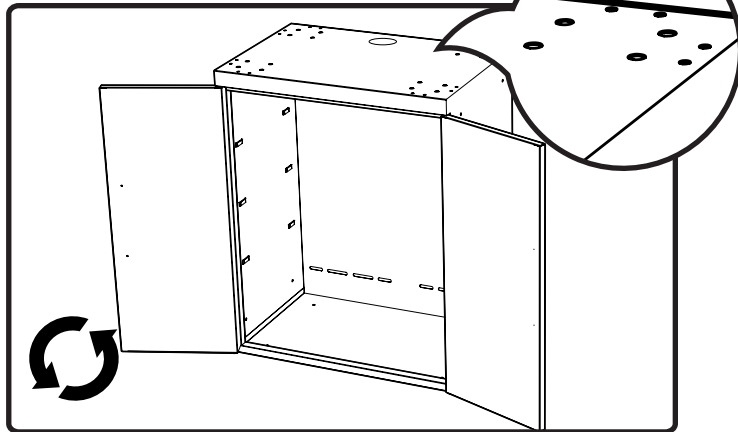
i Pièces nécessaires.



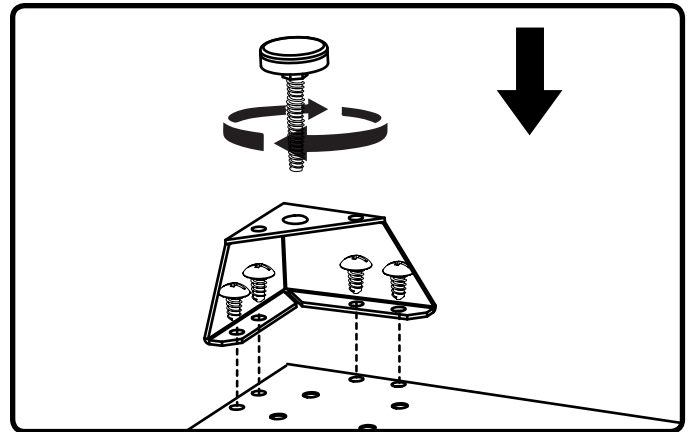
1 Ouvrir l'armoire et retirer les étagères ou les objets épars.



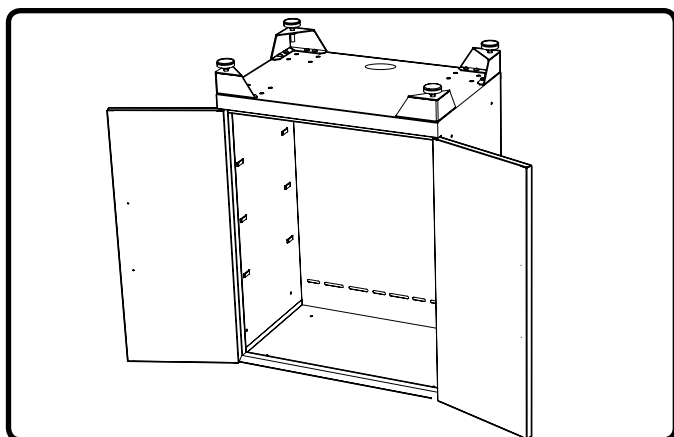
2 Retourner l'armoire et repérer les trous dans les coins.



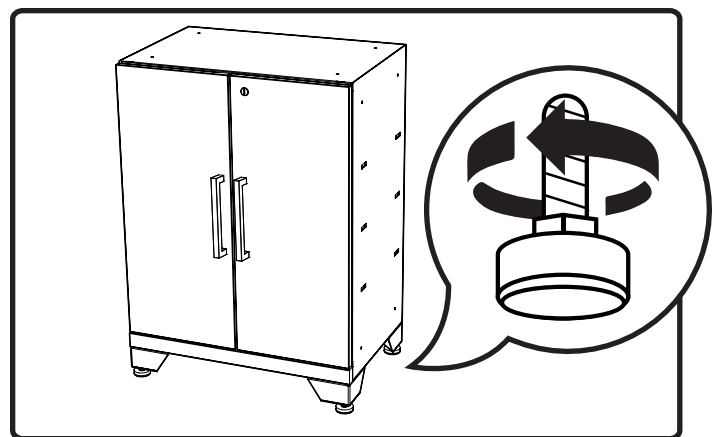
3 Aligner la jambe avec le bord de l'armoire. Visser 4 x vis de fixation du pied et le pied de mise à niveau.



4 Répétez les étapes 3 pour chaque coin.

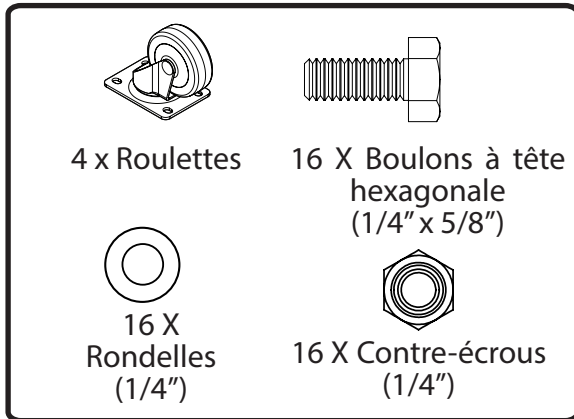


5 Remettre à l'endroit et niveler.

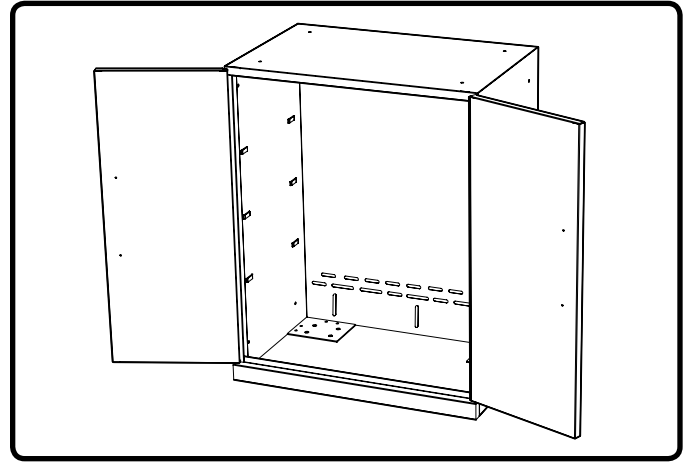


Installation des roulettes

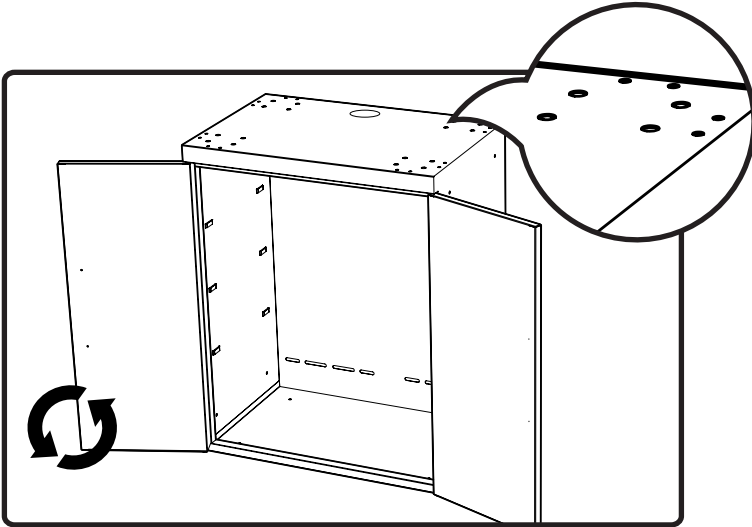
i Pièces nécessaires.



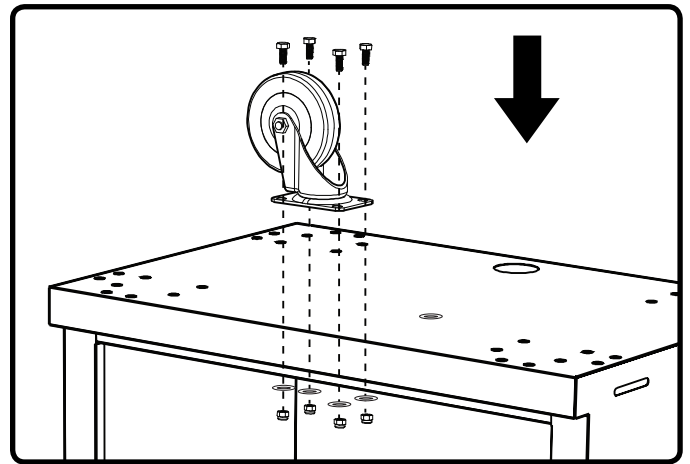
1 Ouvrir l'armoire et retirer les étagères ou les objets épars.



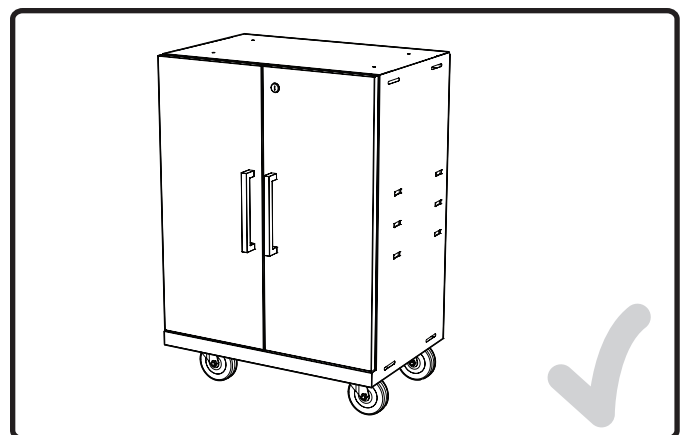
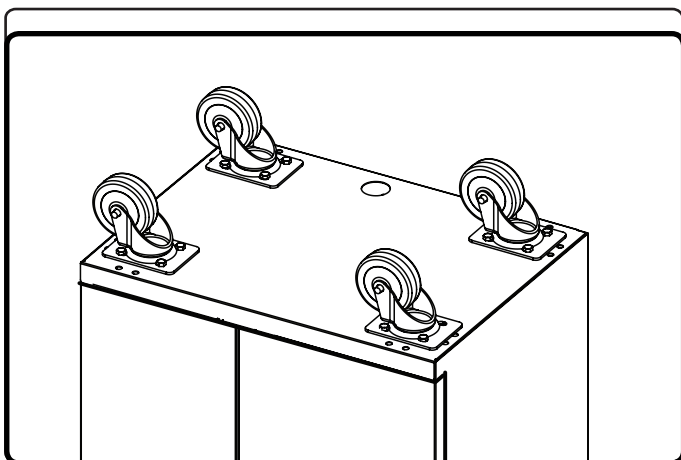
2 Retournez l'armoire à l'envers, localiser des trous formant un carré.



3 Aligner le pied sur les trous. Fixer avec les 4 boulons à tête hexagonale, rondelles, rondelles de sécurité et écrous.

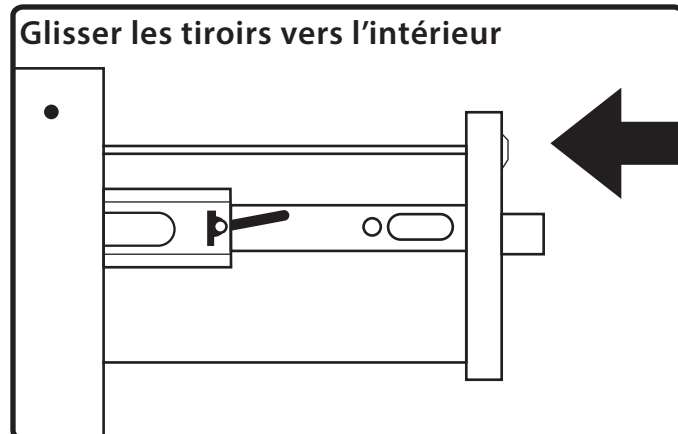
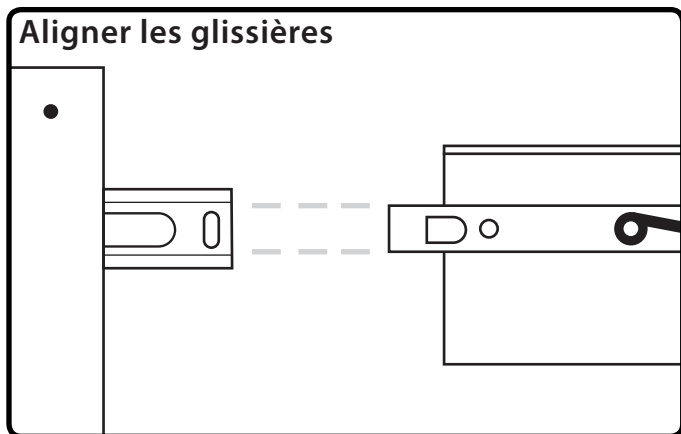


4 Répéter l'étape 3 pour chaque coin.

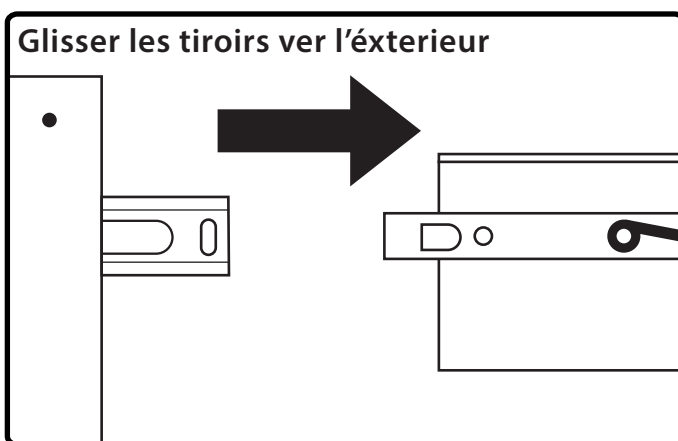
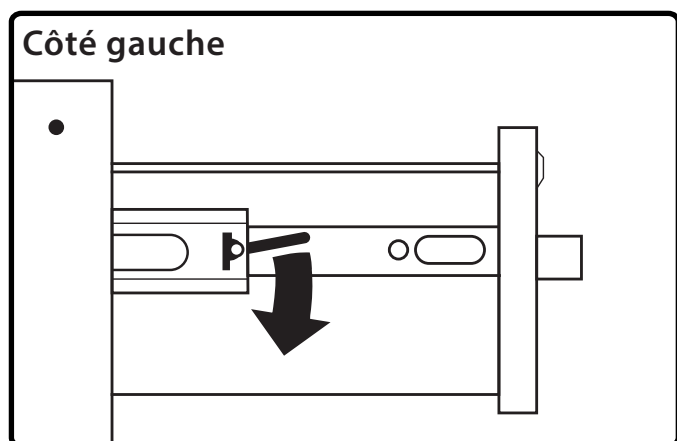
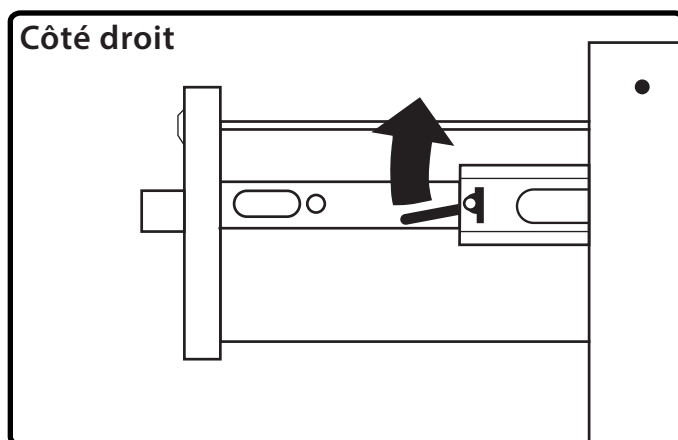
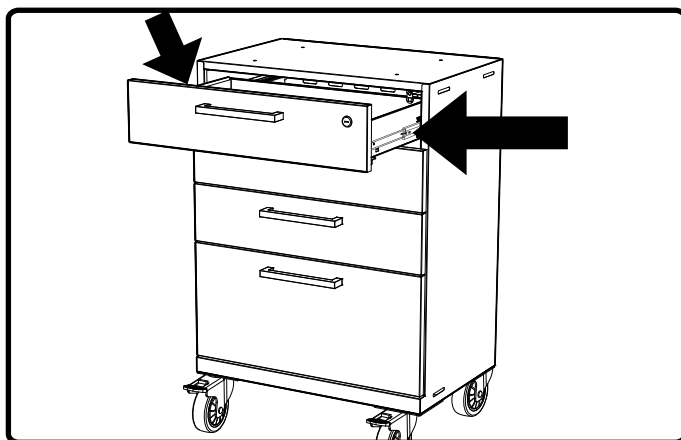


Installation des tiroirs

Insertion des tiroirs.

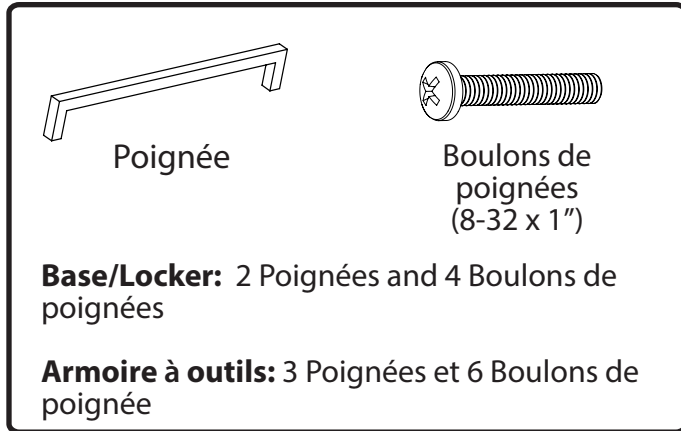


Enlever le tiroir

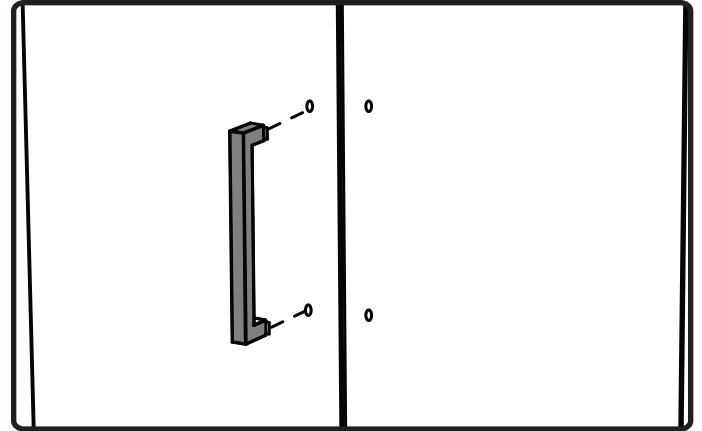


Installation des poignées

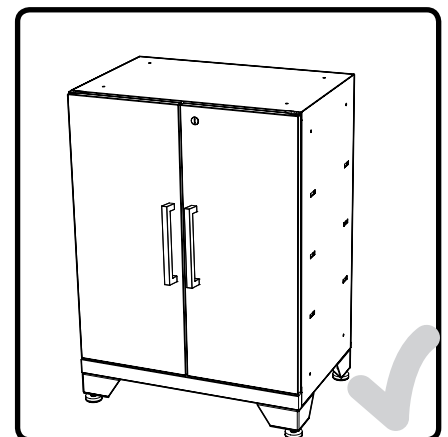
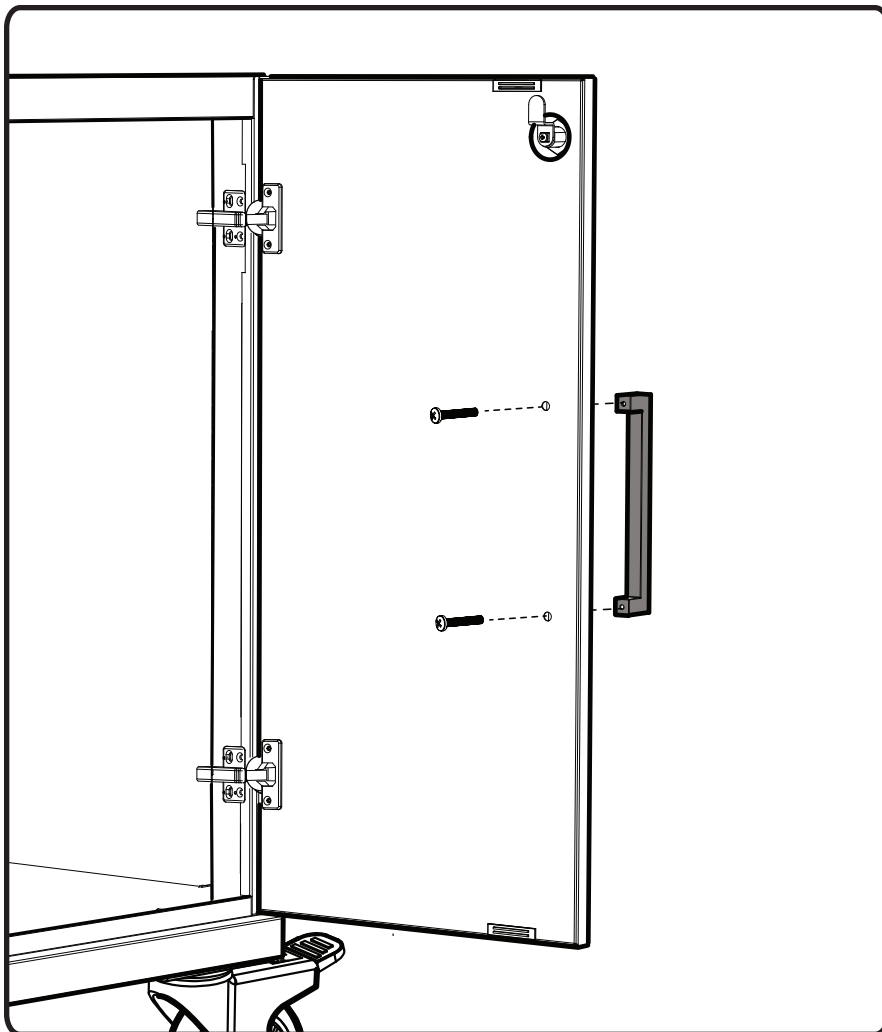
1 Pièces nécessaires.



2 Aligner les trous de poignées avec les trous dans les portes ou dans les tiroirs.



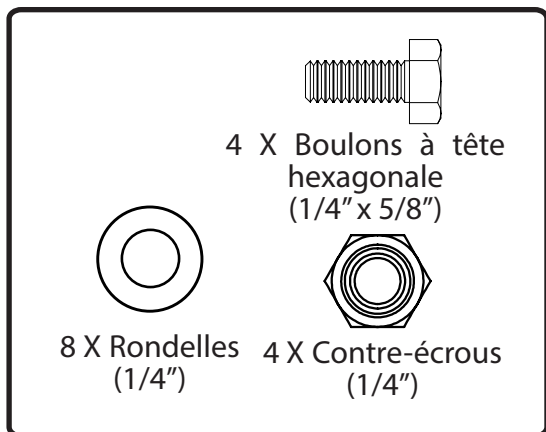
3 Visser les boulons avec un # 2 tournevis cruciforme en faisant attention à ne pas trop serrer les boulons.



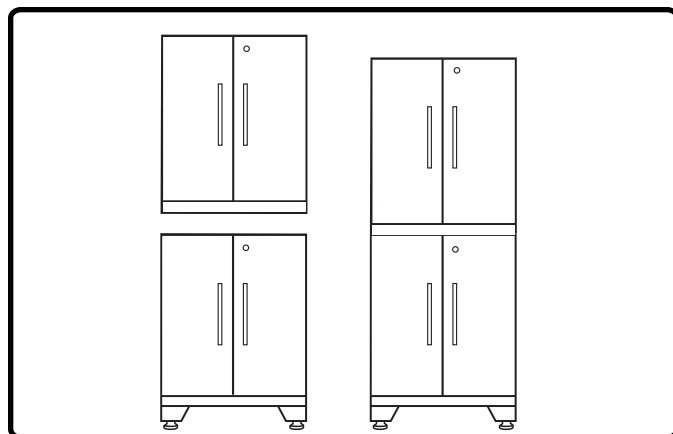
Empilement des armoires

Remarque: Ne pas dépasser la capacité de poids des pieds. Voir [page 5](#).

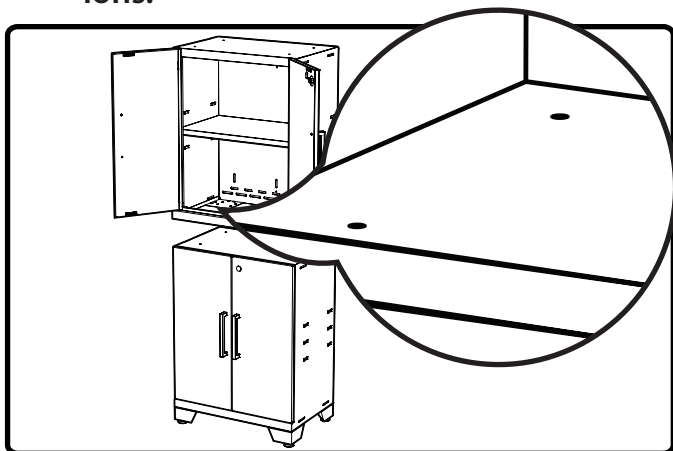
i Pièces nécessaires.



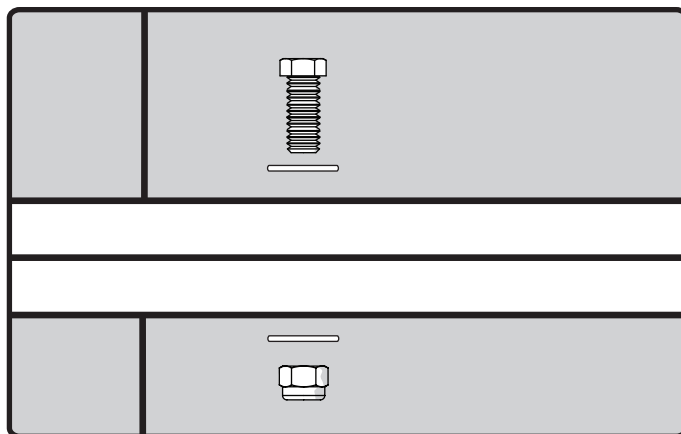
1 Positionner une deuxième armoire sur plancher sur le dessus de l'armoire sur plancher existante.



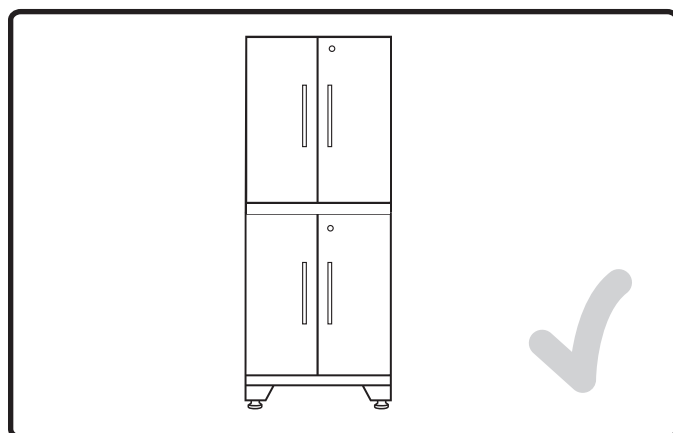
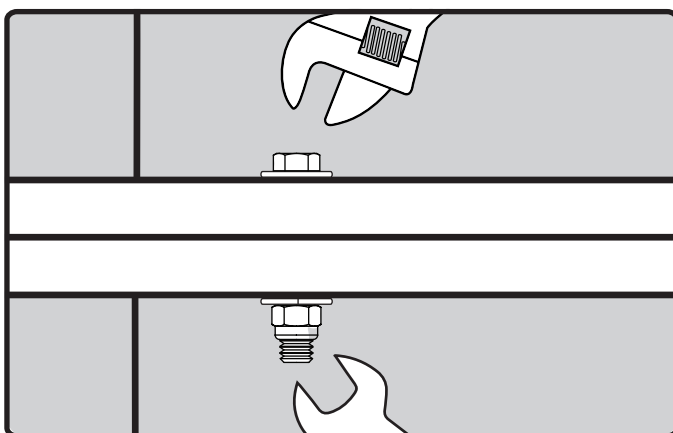
2 Repérer les trous prépercés sur la surface adjacente et insérer les boulons.



3 Fixer les armoires à l'aide des boulons à tête hexagonale de 1/4" x 5/8", des rondelles et des écrous fournis.

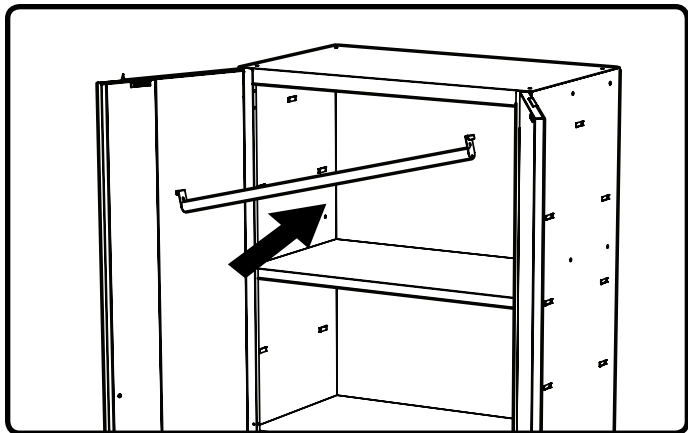


4 Serrer tous les boulons.

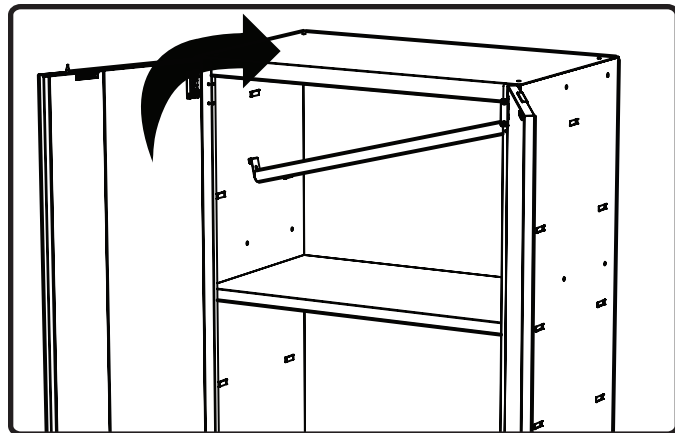


Installation de tringle

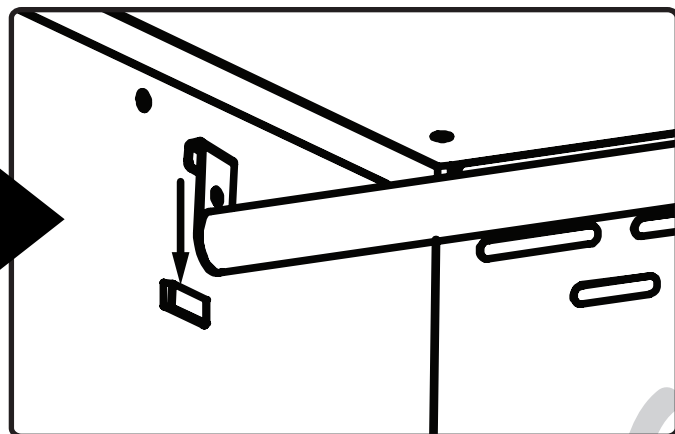
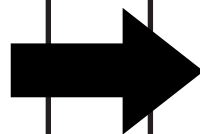
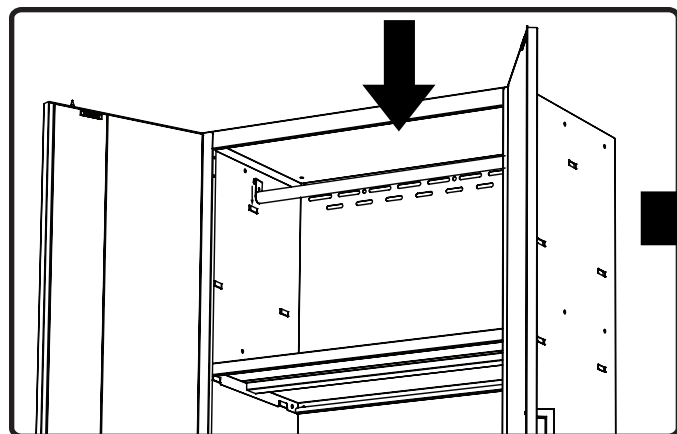
1 Inclinez le tringle à un angle.



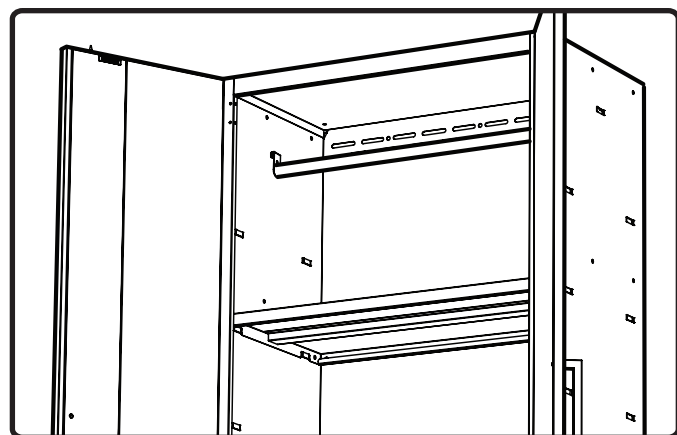
2 Insérer et mettre en position horizontale au-dessus des fentes dans le mur.



3 Veiller que le tringle engage dans les fentes sur le panneau latéral lors de la descente en position.

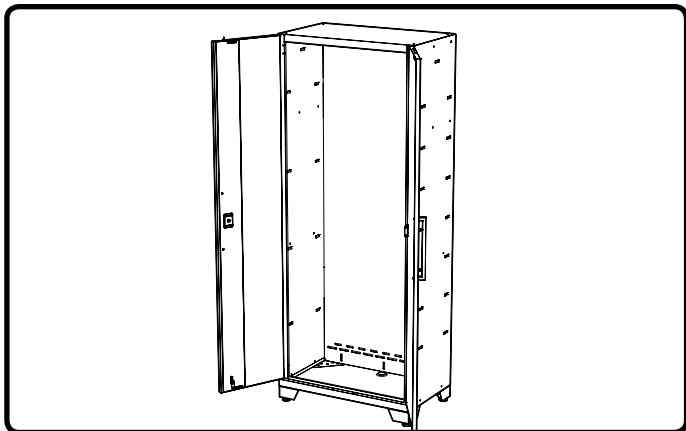


4

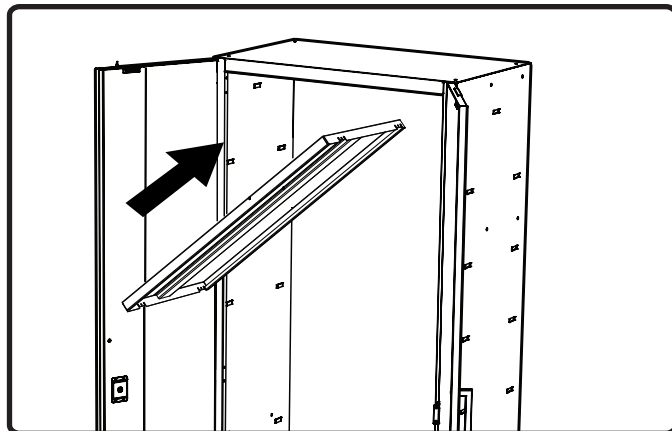


Insertion des étagères d'armoire

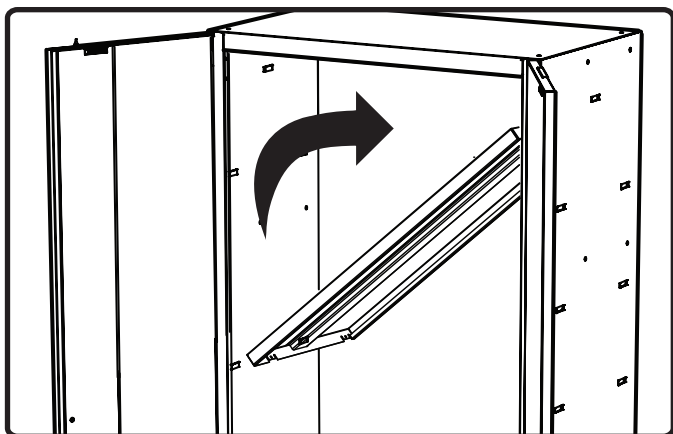
1 Tenez-armoire verticale



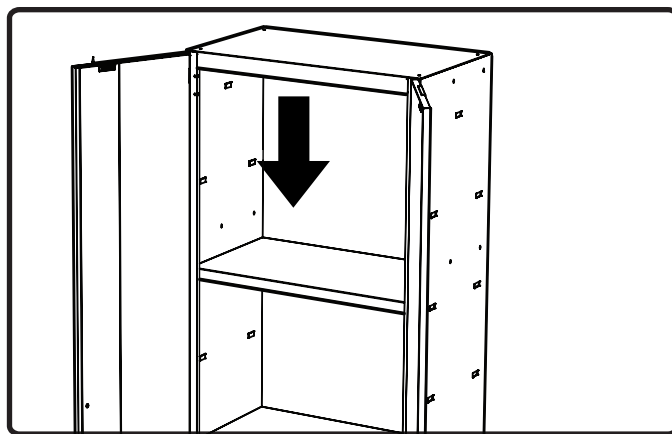
2 Insérez étagère à un angle.



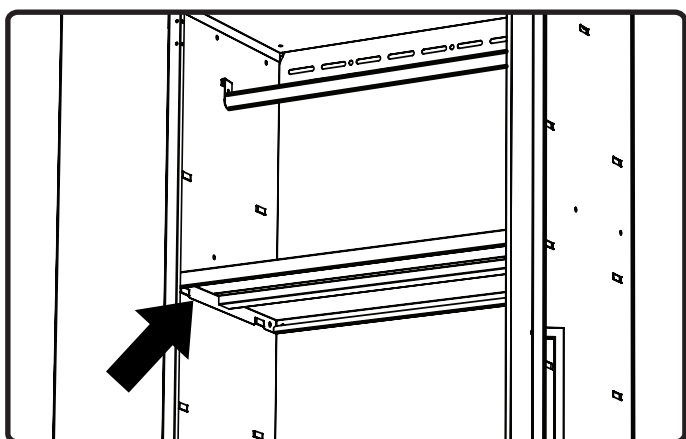
3 Tournez l'étagère en position horizontale.



4 Abaisser l'étagère sur des supports en faisant glisser les languettes dans les fentes.



5 S'assurer que l'étagère est bien mise en place.

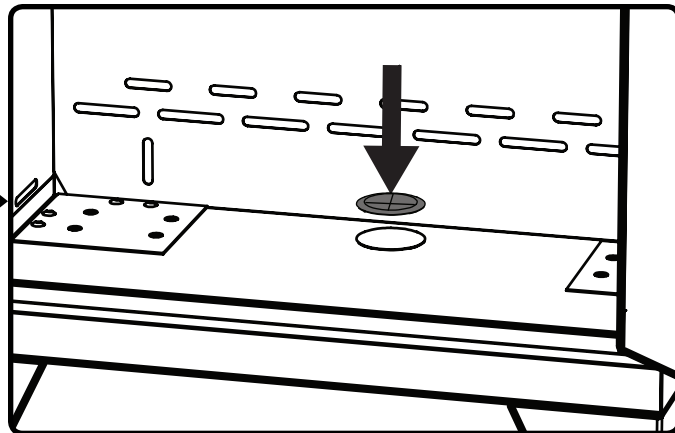
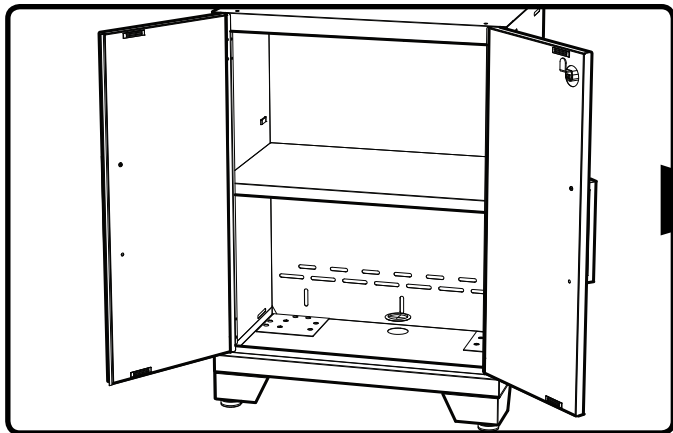


6 Insérer le reste des étagères.

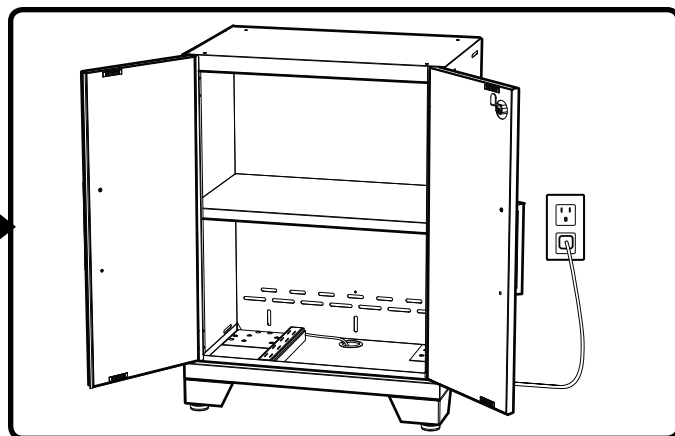
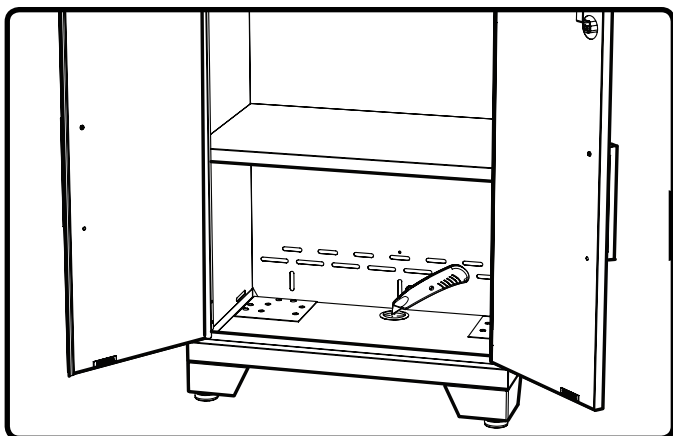


Trous d'accès

- 1** Insérer le passe cable caoutchouc dans le trou d'accès.

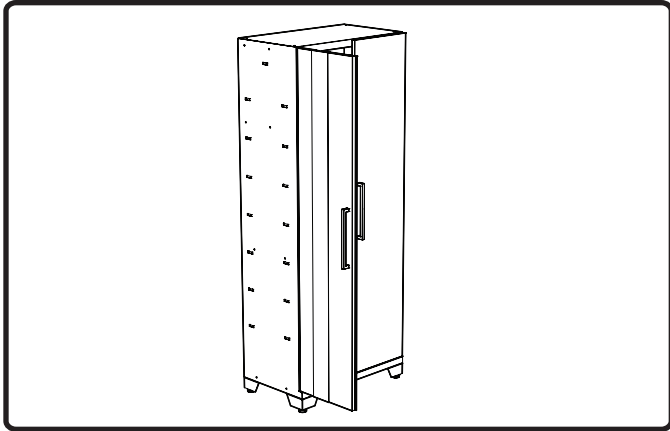


- 2** Trou utilitaire permet un accès facile à la prise électrique.

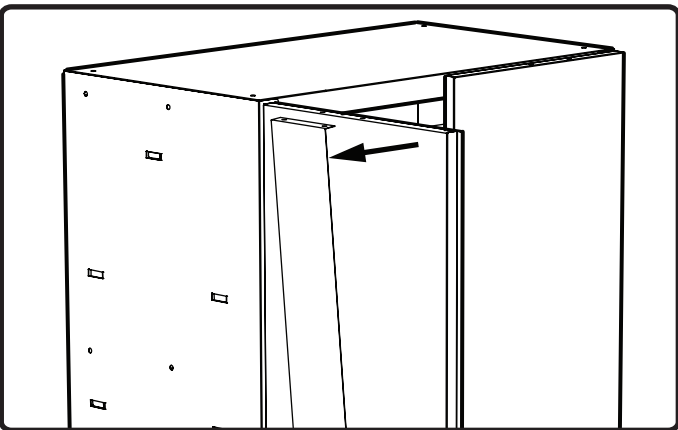


Bande magnétique

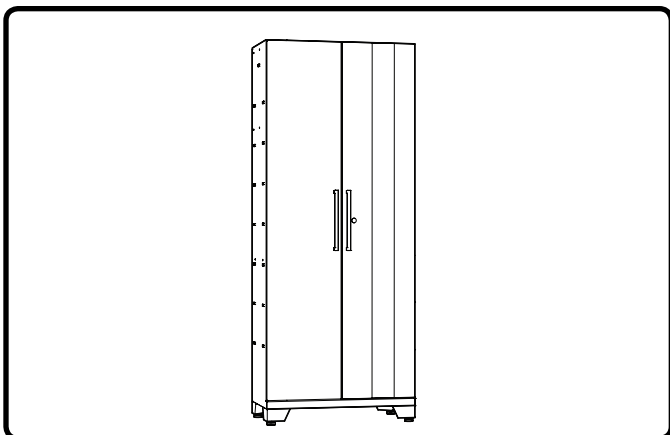
i Le bande peut être installer sur chaque porte. Pour enleve le décal suivre etapes 1-3.



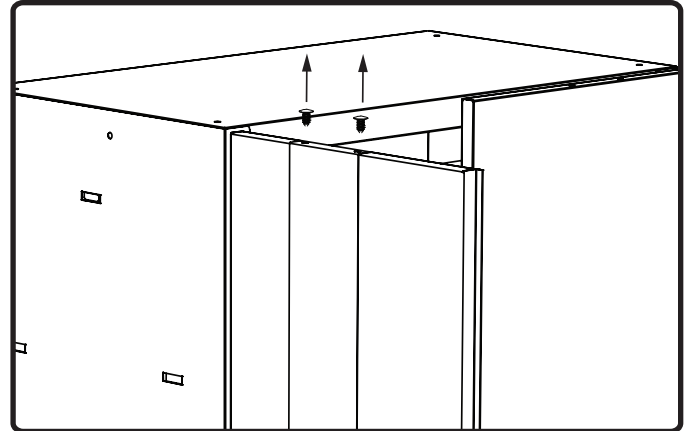
2 Enlève le bande magnetique du porte



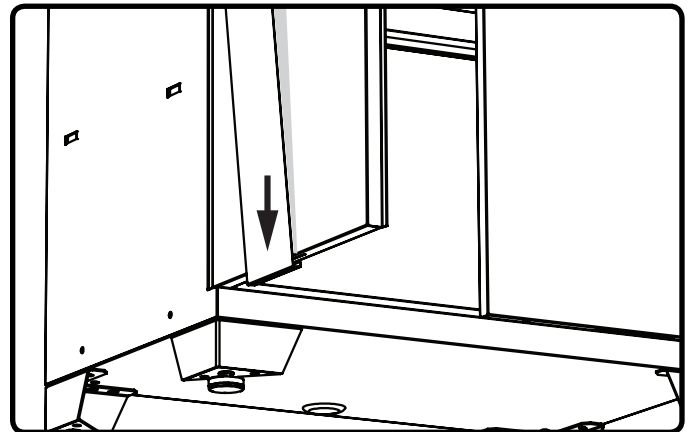
4 Attachez le bande magnétique sur la porte opposée suivant l'ordre inverse.



1 Retirer les bouchons en plastique qui maintien le bande en haute du porte.



3 Abaisser et retirer de la fente sur le bas de la porte.



i MANIPULER AVEC PRÉCAUTION: La bande magnétique peut facilement plier et le pli.

Garantie à vie limitée du fabricant

Lorsque ce produit est installé, utilisé et entretenu conformément aux instructions ci-jointes ou fournies avec le produit, NewAge Products Inc. remplacera les pièces ou le produit défectueux advenant que ceux-ci découlent d'un défaut de matériel ou de fabrication pendant la durée de vie du produit.

NEWAGE PRODUCTS INC. N'ASSUMERA PAS LES COÛTS SUIVANTS :

1. Les appels de service pour corriger l'installation de tout produit NewAge ou pour vous montrer comment les utiliser ou les installer.
2. Les dommages causés par une manutention ou une expédition inadéquate du produit, ou des produits endommagés par un accident, une mauvaise utilisation, un abus, un incendie, une inondation, une installation inadéquate, un cas fortuit, une négligence, la corrosion, une modification ou une mauvaise manipulation.
3. Les produits endommagés en raison d'une charge supérieure au poids maximum précisé dans les instructions fournies avec le produit.
4. Les réparations ou le remplacement lorsque votre produit est utilisé pour un autre usage que celui d'un ménage unifamilial normal, comme un milieu commercial ou d'une façon non conforme aux directives d'installation incluses avec le produit.
5. Les dommages cosmétiques, y compris les éraflures, les marques, les entailles ou les fissures dans la peinture qui n'affectent pas la capacité fonctionnelle ou structurelle du produit.
6. Les surfaces endommagées en raison d'une interaction chimique entraînant la corrosion de la peinture ou du métal.
7. Les pièces de rechange pour des produits NewAge à l'extérieur du Canada et des États-Unis.
8. Les clés ou mécanismes de verrouillage de rechange.
9. La perte des produits y étant contenus en raison d'un vol, d'un incendie, d'une inondation, d'un accident ou de cas fortuits.
10. Les frais d'expédition ou de transport pour livrer les produits de rechange ou pour retourner des produits défectueux.
11. Tout coût de main-d'oeuvre pendant la période de garantie limitée.



EXONÉRATION DE GARANTIES IMPLICITES; LIMITATION DE RECOURS

LES GARANTIES IMPLICITES, Y COMPRIS LES GARANTIES APPLICABLES DE QUALITÉ MARCHANDE OU DE CONVENANCE PRÉCISE, SONT EXCLUES DANS LA LIMITE OÙ LA LOI LE PERMET. TOUTE GARANTIE IMPLICITE QUI POURRAIT ÊTRE IMPOSÉE PAR LA LOI DOIT SE LIMITER À UN AN, OU À LA PÉRIODE LA PLUS COURTE PERMISE PAR LA LOI. CERTAINS ÉTATS AINSI QUE CERTAINES PROVINCES NE PERMETTENT PAS LES LIMITATIONS OU LES EXCLUSIONS SUR LA DURÉE D'UNE GARANTIE IMPLICITE DE QUALITÉ MARCHANDE OU DE CONVENANCE PRÉCISE. PAR CONSÉQUENT, IL EST POSSIBLE QUE LES LIMITATIONS OU EXCLUSIONS PRÉCITÉES NE S'APPLIQUENT PAS À VOUS. CETTE GARANTIE VOUS DONNE DES DROITS LÉGAUX PARTICULIERS ET VOUS POURRIEZ ÉGALEMENT DISPOSER D'AUTRES DROITS VARIANT SELON L'ÉTAT OU LA PROVINCE.

Merci d'avoir acheté un produit NewAge!

Si vous avez des questions, veuillez nous appeler ou visiter notre site Web.

Appeler au 1.877.306.8930; pour le R.-U., composer le 0800.031.4069; envoyer un courriel à info@newageproducts.com.