






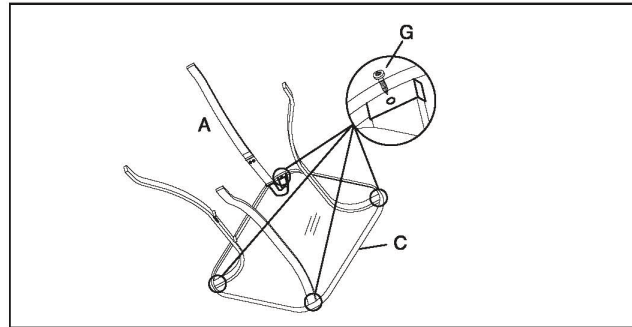


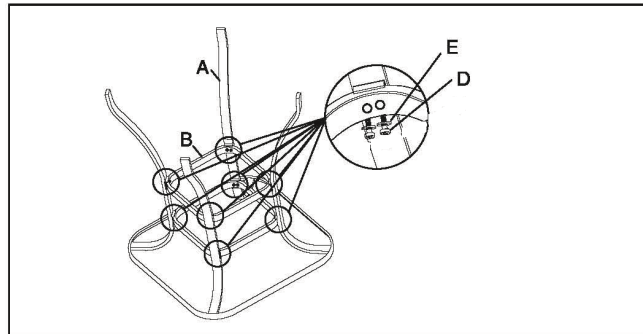
# ASSEMBLY INSTRUCTIONS

A	 Table Leg	4PCS
B	 Table Fixed Frame	2PCS
C	 Table Top	1PC
D	 Bolt M6*25	16PCS
E	 Washer	16PCS
F	 Hex Key	1PC
G	 Screw	4PCS

## STEP 1



## STEP 2



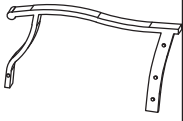
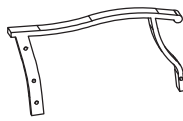
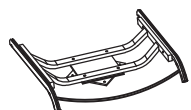
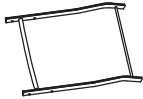




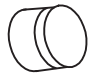







## STEP 3





# PYRAMID

## HOME DECOR

A	 Right Armrest	2PCS	B	 Left Armrest	2PCS	C	 Seat	2PCS
D	 Back	2PCS	E	 Up Leg	2PCS	F	 Low Leg	2PCS
G	 Chair Fixed Frame	2PCS	I	 Washer	32PCS	J	 Bolt Cap	24PCS
K	 (M6*30mm)	16PCS	L	 Nut	16PCS	M	 (M6*55mm)	8PCS
N	 Bolt Cap	8PCS	O	 (M6*35mm)	8PCS	U	 L-shaped bracket	1PC
V	 Wrench	1PC						

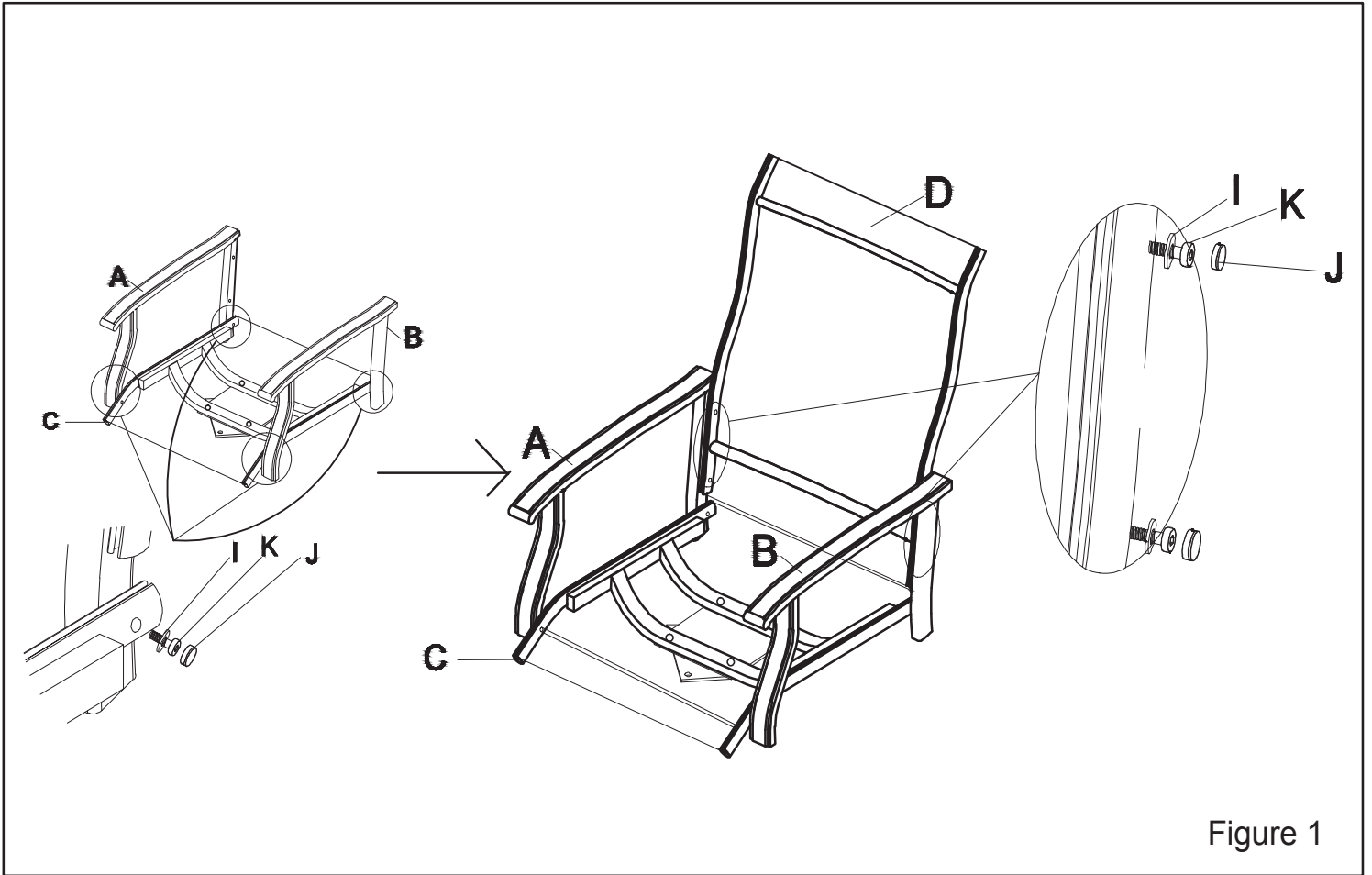


Figure 1

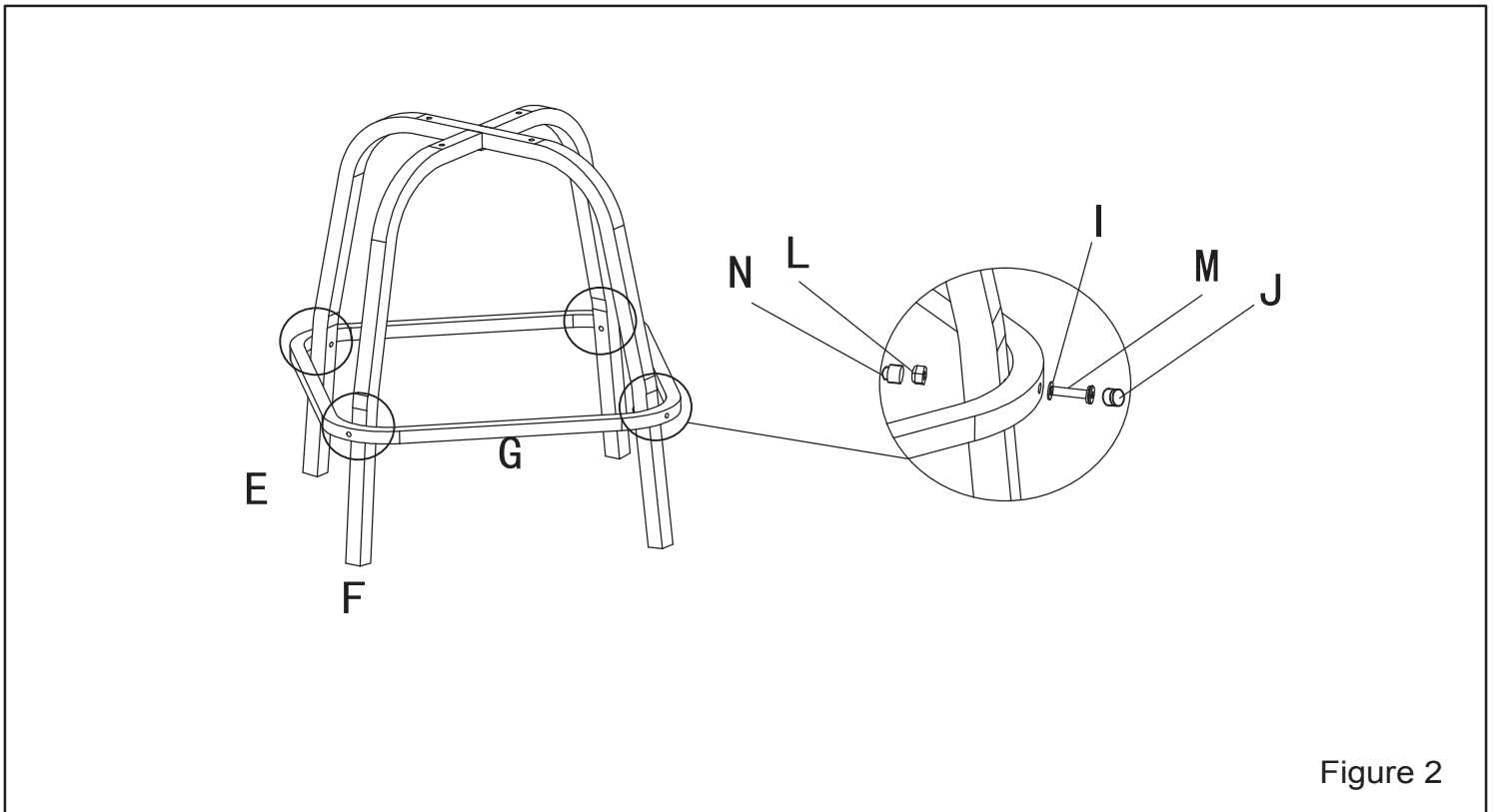


Figure 2

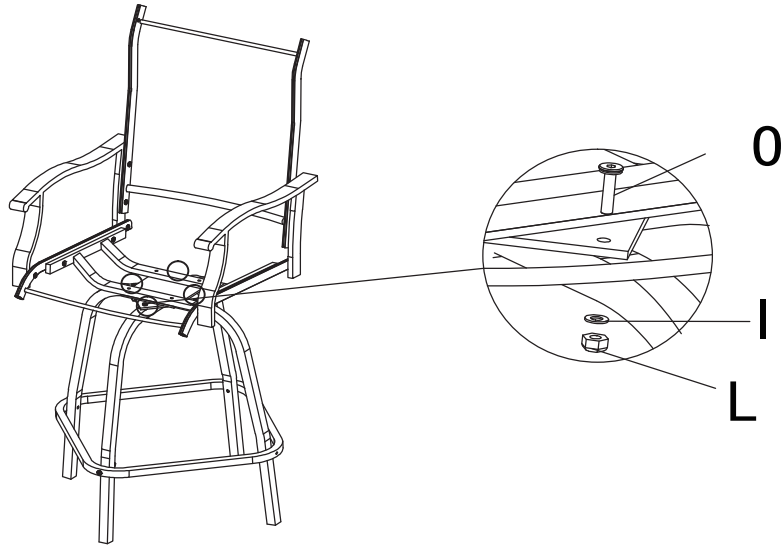


Figure 3