



38" NEO ANGLE SHOWER BASE

- High-Gloss Acrylic-Capped ABS with Polyurethane Reinforcement
- Uses Standard Shower Drain with 4 1/4" Strainer
- Textured Bottom
- 10 Year Limited Residential Warranty
- 1 Year Limited Commercial Warranty

422062

Submitted Model No.: _____

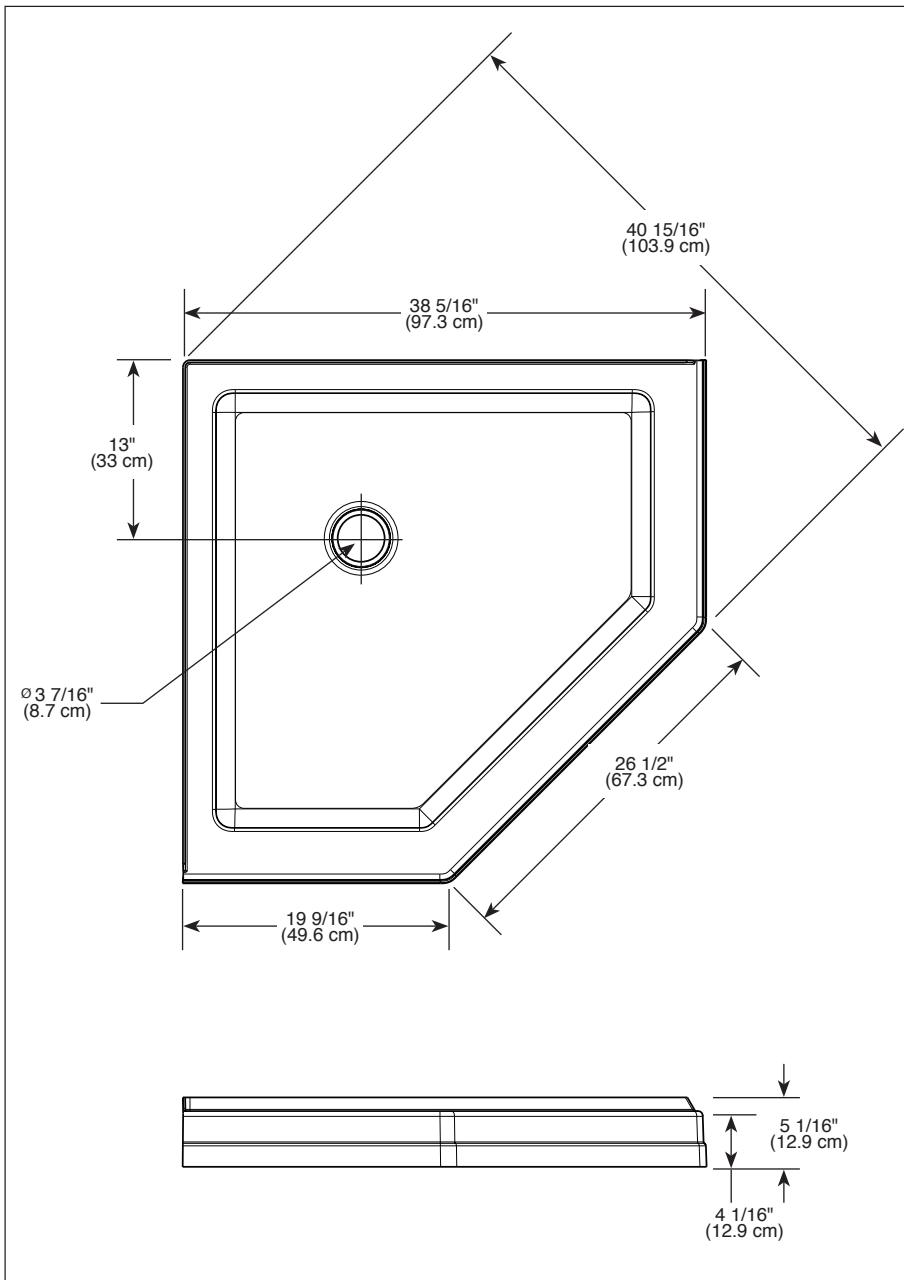
Specific Features: _____

COLOR/FINISH

- White

COMPLIES WITH:

- CSA B45.5/IAPMO Z 124



55 E 111th Street, Indianapolis, Indiana 46280
350 South Edgeware Road, St. Thomas, ON N5P 4L1
© 2016 Masco Corporation of Indiana