

# SPEAKMAN® SM-8000-P

## Rainier™ Pressure Balance Valve and Trim

### FEATURES VALVES:

- Anti-scald pressure balance valve
- Built-in check valves
- Pressure balancing and ceramic temperature regulating cartridge
- Adjustable temperature limit stop
- Integral stops
- 1/2" NPT female tub outlet
- 1/2" sweat shower outlet
- 1/2" sweat inlets
- Includes rough-in template

### TRIM:

- Square style
- Mounting plate with seal
- Metal handle
- Durable plastic trim plate

### FINISH:



PC

### COMPLIANCE:

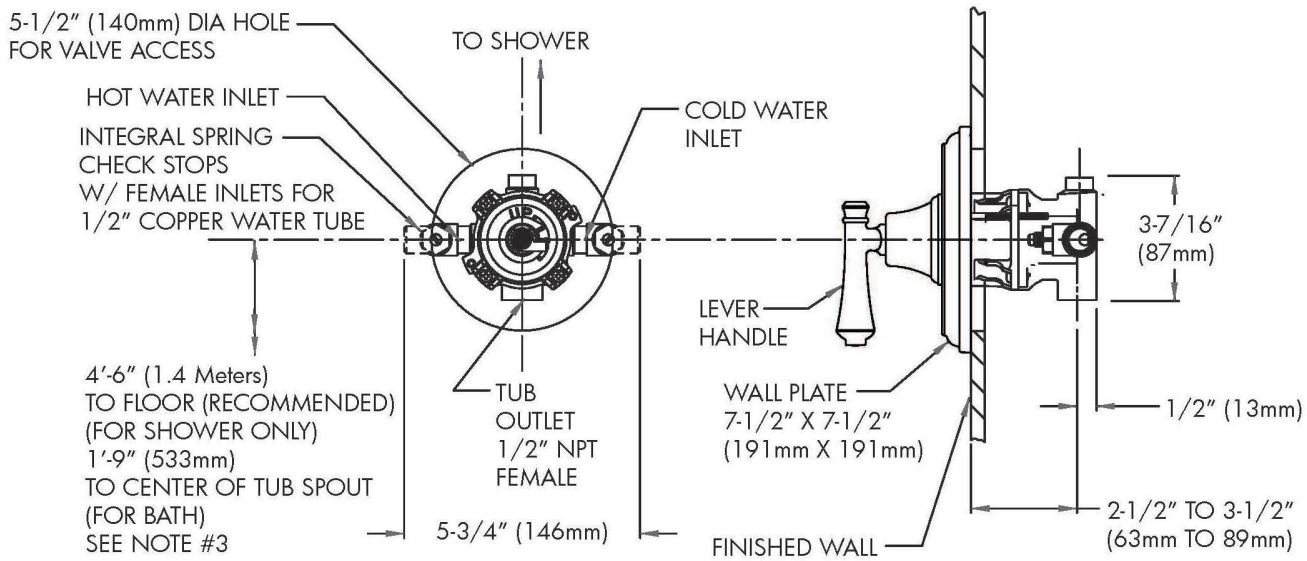
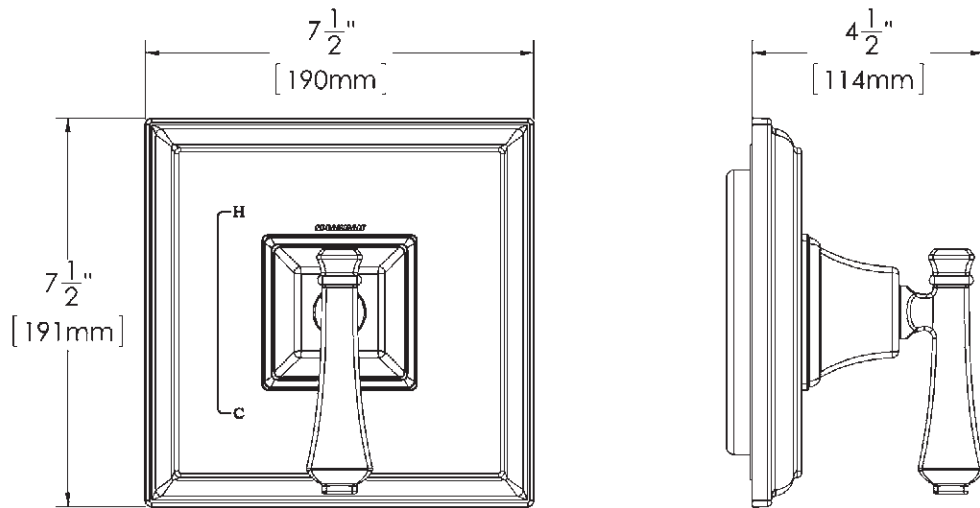
- ASME A112.18.1/CSA B125.1 certified
- Meets ASSE 1016

### WARRANTY:

- 5 Year Limited



**DIMENSIONS:** NOTE: 1. All dimensions are in inches (millimeters) unless otherwise specified and are subject to change without notice. 2. Unless otherwise specified, all inlets and outlets are 1/2" female copper sweat. 3. For ADA mounting locations, consult ADAAG, ANSI A117.1, or static regulations.  
Contractor pack valves & trim kits available.



## Rainier™ Shower Combination

### FEATURES:

- Rainier Shower Head S-3018
- Arm and Flange S-2550
- Rainier Pressure Balance Valve and Trim SM-8000-P
- Rainier Diverter Tub Spout S-1564
- 2.5 gpm (9.5 L/min) flow rate

### FINISH:



PC

### COMPLIANCE:

- ASME A112.18.1/CSA B125.1 certified

### MODELS:

- ❑ SM-8030-P: with S-1564 diverter tub spout
- ❑ SM-8010-P: without S-1564 diverter tub spout

### WARRANTY:

- Consumer Shower Head: Limited Lifetime Warranty
- Commercial Shower head: 1 Year Limited
- Valve: 5 Year Limited
- Accessories: 1 Year Limited



**DIMENSIONS:** NOTE: 1. All dimensions are in inches (millimeters) unless otherwise specified and are subject to change without notice. 2. Unless otherwise specified, all inlets and outlets are 1/2" female copper sweat. 3. For ADA mounting locations, consult ADAAG, ANSI A117.1, or static regulations. Contractor pack valves & trim kits available.

