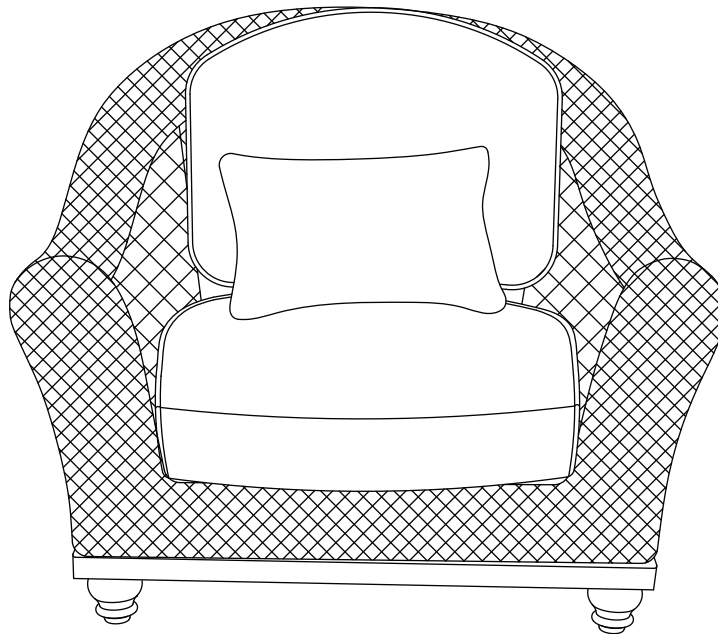


**HOME**  
DECORATORS  
COLLECTION

Item # 1002 555 063  
1002 555 223  
Model # FRA60624AVW-2PK  
FRA60624ASW-2PK

## USE AND CARE GUIDE

### CAMDEN 2-PACK LOUNGE CHAIR



Questions, problems, missing parts? Before returning to the store,  
call Home Decorators Collection Customer Service.  
8 a.m. - 7 p.m., EST, Monday - Friday, 9 a.m. - 6 p.m., EST, Saturday

**1-800-986-3460**

**[HOMEDEPOT.COM/HOMEDECORATORS](http://HOMEDEPOT.COM/HOMEDECORATORS)**

#### **THANK YOU**

*We appreciate the trust and confidence you have placed in Home Decorators Collection through the purchase of this chair. We strive to continually create quality products designed to enhance your home. Visit us online to see our full line of products available for your home improvement needs.*

*Thank you for choosing Home Decorators Collection!*

# Table of Contents


Table of Contents.....	2	Pre-Assembly .....	3
Safety Information .....	2	Planning Assembly .....	3
Product Caution .....	2	Hardware Included .....	3
Safety Warnings .....	2	Package Contents .....	4
Warranty .....	2	Assembly .....	5
What is Covered .....	2	Care and Cleaning .....	6
What is Not Covered .....	2		


# Safety Information


## PRODUCT CAUTION


This chair was made for the explicit purpose of providing outdoor functions and is not to be used as a toy. This product is intended for normal outdoor use; however, the manufacturer recommends storing and / or covering this chair when any formidable / severe weather is approaching. Do not locate this product near open flames. Do not use this product as a support. Do not shake, lean or climb on the product. Children under the age of 10, near the product, should be supervised by a competent adult at all times. This product is NOT intended for commercial use and will void the warranty.

## SAFETY WARNINGS

 **WARNING:** Please keep children out of the assembly area before assembly.

 **WARNING:** This chair unit is heavy, and may require two adults for safe assembly.

 **WARNING:** Weight limit for chair is 250 lbs (113.39 Kg) for each seat.

 **CAUTION:** Do not locate the product near any heat source.

# Warranty

## 5 YEAR FRAME, FABRIC AND WEAVE LIMITED WARRANTY

### WHAT IS COVERED

We warrant the frame, fabric and weave to be free of manufacturing defects to the original purchaser for five years.

### WHAT IS NOT COVERED

It remains the customer's responsibility for freight and packaging charges to and from our service center. This warranty does not cover commercial use, hardware, acts of nature, fire, freezing and abusive use. In addition, purchased parts are not covered under this warranty. We reserve the right to make substitutions with similar merchandise, if the model in question is no longer in production.

Contact the Customer Service Team at 1-800-986-3460 or visit [www.homedepot.com/homedecorators](http://www.homedepot.com/homedecorators).

# Pre-Assembly

## PLANNING ASSEMBLY

Read all instructions before assembly.

To avoid damaging this product, assemble it on a soft, non-abrasive surface such as carpet or cardboard.



**NOTE:** More than one person may be required to assemble this product.

## HARDWARE INCLUDED



**NOTE:** Hardware not shown to actual size.



AA

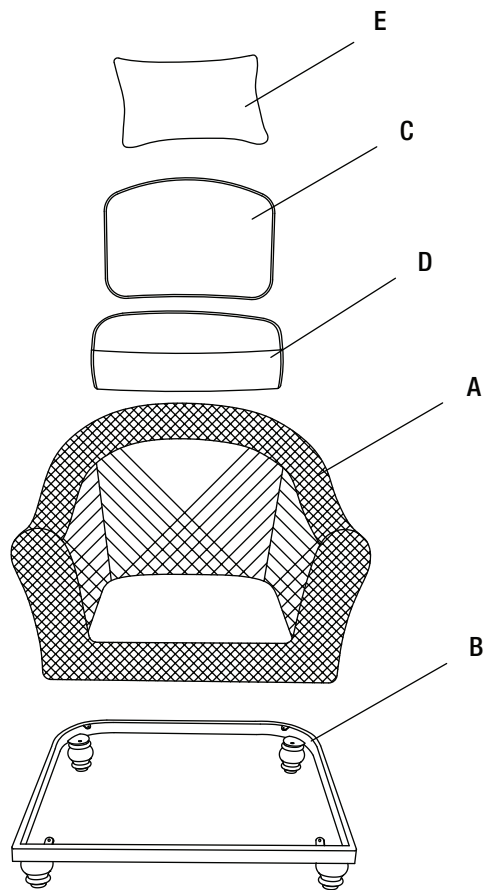


BB

Part	Description	Quantity
AA	M6x25 combination bolt	8+1
BB	Hex wrench	1

# Pre-Assembly (continued)

## PACKAGE CONTENTS

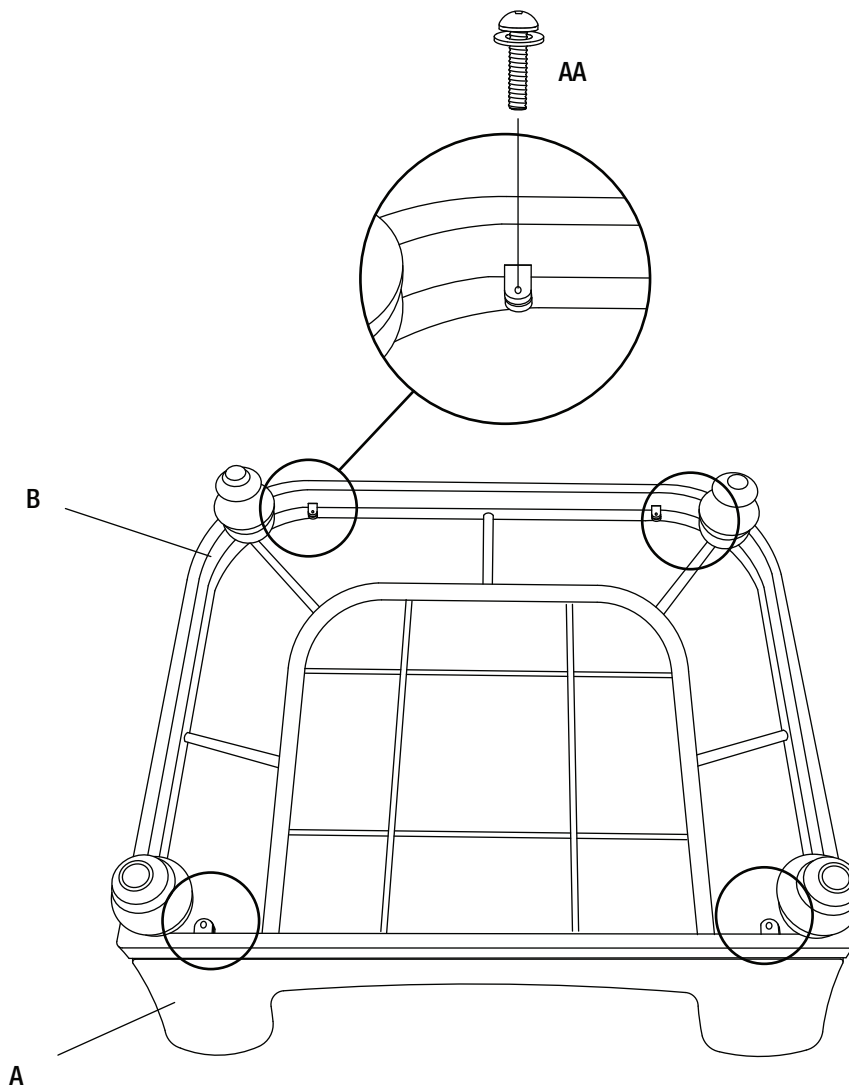


Part	Description	Quantity
A	Seat	2
B	Base	2
C	Back cushion	2
D	Seat cushion	2
E	Accent pillow	2

# Assembly

## 1 CONNECTING THE BASE TO THE SEAT

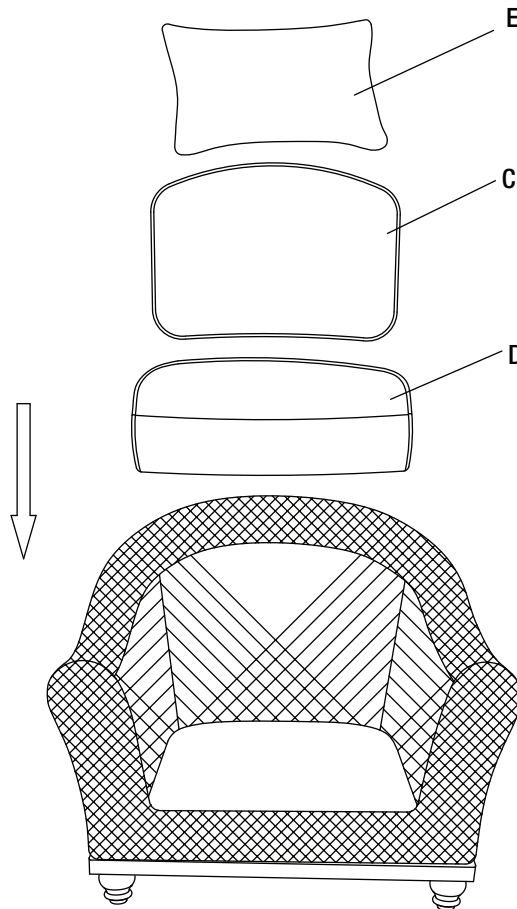
- Attach the base (B) to the seat (A) using M6x25 combination bolts (AA).
- Once all of the bolts are in place, fully tighten all the bolts using the hex wrench (BB).



## Assembly (continued)

### 2 CHECKING THE CHAIR

- Turn the chair right side up.
- Place the seat, the back cushion and the accent pillow (D & C & E) to finish the assembly of the chair.
- Ensure all connections are secure before use.



## Care and Cleaning

- For best results, clean the chair with a damp cloth and dry thoroughly. This will help prevent mildew by removing dirt particles that may accumulate.
- Do not clean with abrasive materials, bleach, or solvents.
- Store the chair in a dry, sheltered place when not in use.
- Keep the chair away from fire, extreme heat, freezing conditions, and inclement weather such as rain, hail, sleet, snow, or wind.

# HOME DECORATORS COLLECTION

Questions, problems, missing parts? Before returning to the store,  
call Home Decorators Collection Customer Service.  
8 a.m. - 7 p.m., EST, Monday - Friday, 9 a.m. - 6 p.m., EST, Saturday

**1-800-986-3460**

**[HOMEDEPOT.COM/HOMEDECORATORS](https://www.homedepot.com/homedecorators)**

Retain this manual for future use.