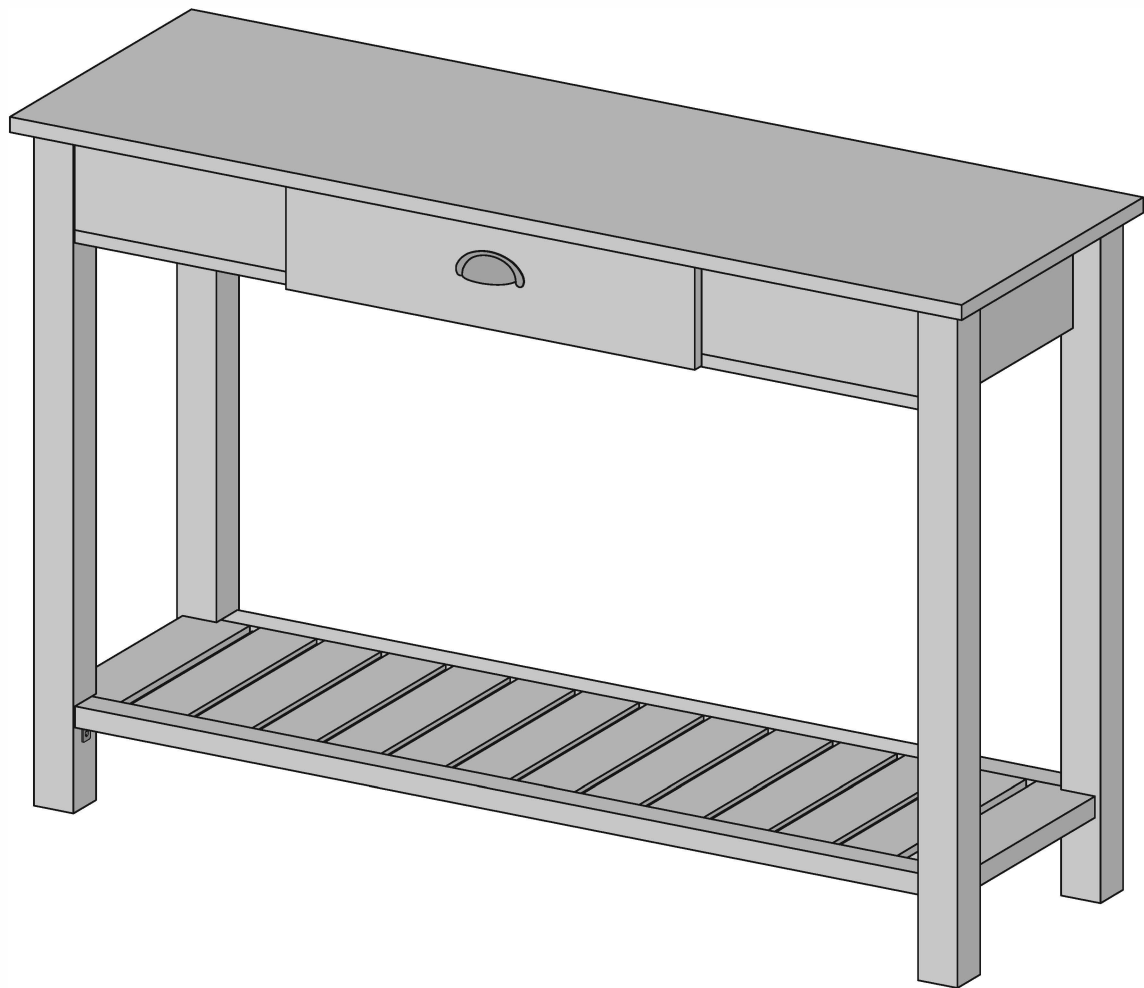


Item # : AF48CYET
Assembly Instructions

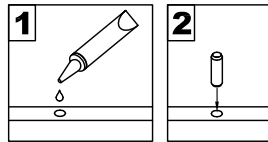


For the most current instructions, additional assembly tips, to report damage or request parts, please visit our website at www.walker-edison.com.

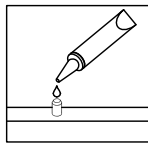
Revised 05/2017

General Assembly Guidelines

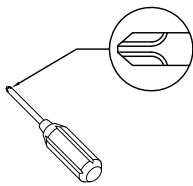
- I. Ensure that all parts and hardware are available before beginning assembly.
- II. Follow each step carefully to ensure the proper assembly of this product.
- III. Two people are recommended for ease in the assembly of this product.
- IV. The three main types of hardware used to assemble this product are : wood dowels , screws and bolts.
- V. The provided glue is to secure wood dowels in place . When first inserting dowels , locate the appropriate hole for the dowel , place a small amount of glue in the hole and insert the dowel . Wipe away excess glue immediately.



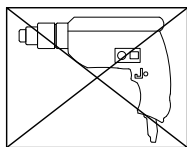
In future assembly steps when dowels are necessary to attach assembly parts together , place a small amount of glue on the end of the dowel before attaching parts together . Wipe away excess glue immediately.



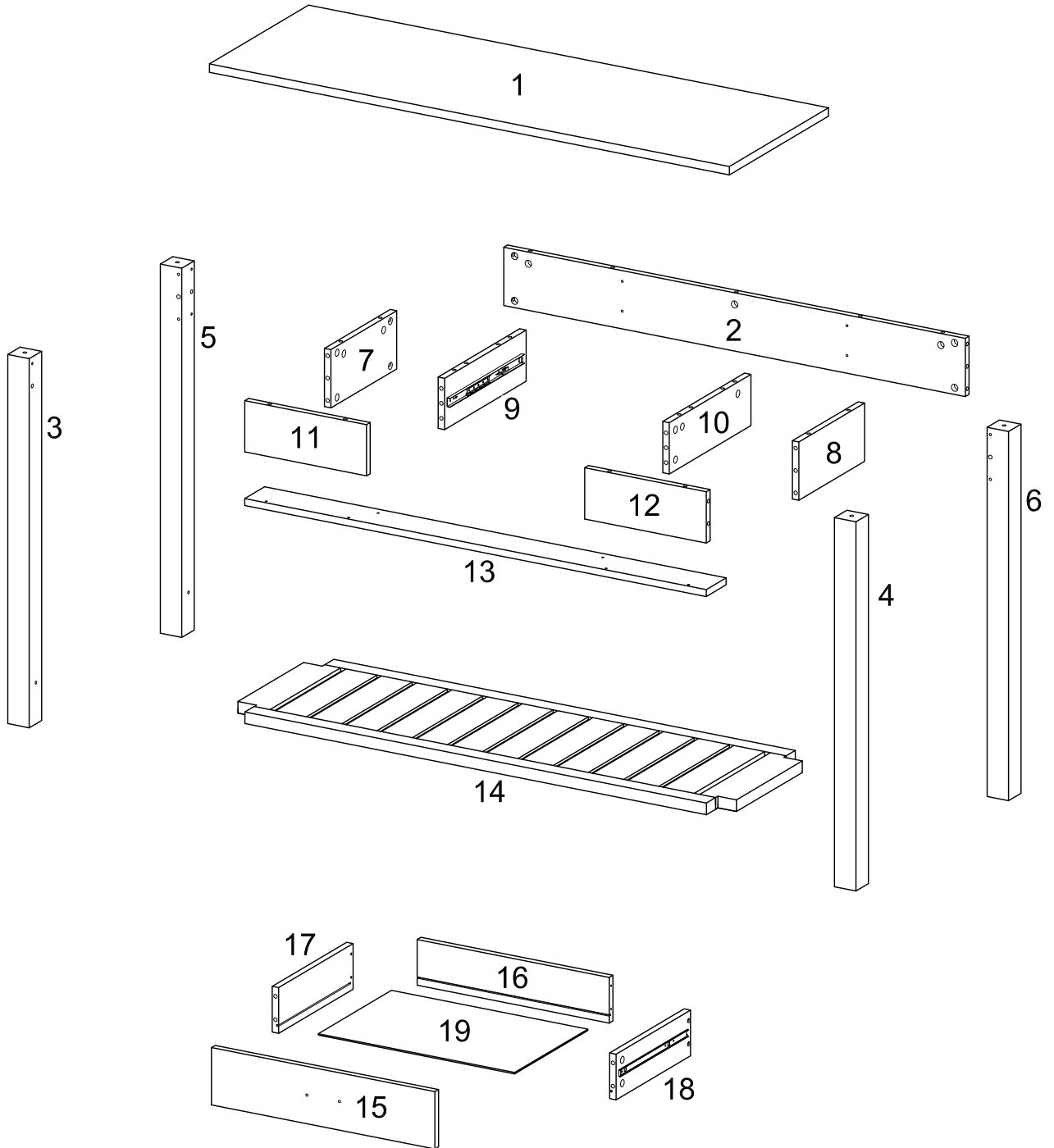
- VI. A Phillips head screwdriver is required for the assembly of this product .






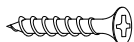





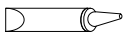

- VII. Power tools should not be used to assemble this product .

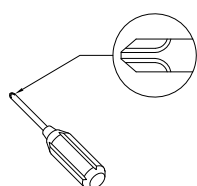


Parts List



Hardware List

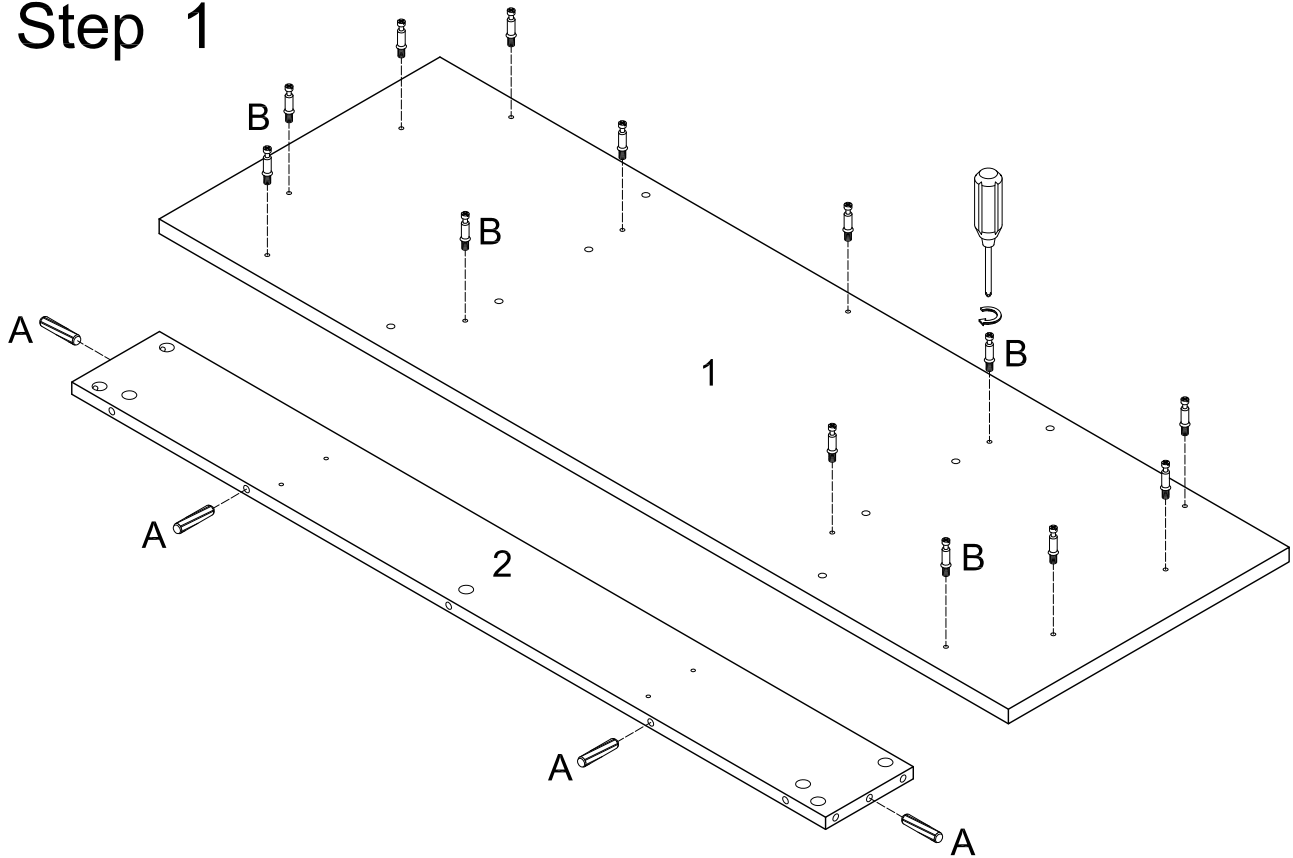
A		Ø8x30	Wooden dowel	22 pcs
B		Ø6x35	Cam bolt	37 pcs
C		Ø15x11	Cam lock	37 pcs
D		Ø4x31	Screw	14 pcs
E			Handle	1 pc
F		Ø4x12	Bolt	2 pcs
G			L shape bracket	4 pcs
H		Ø6x12	Bolt	8 pcs
J		M4	Wrench	1 pc
K			Glue tube	1 pc
L			Sticker	37 pcs



Philips head screwdriver required for assembly
(not included)

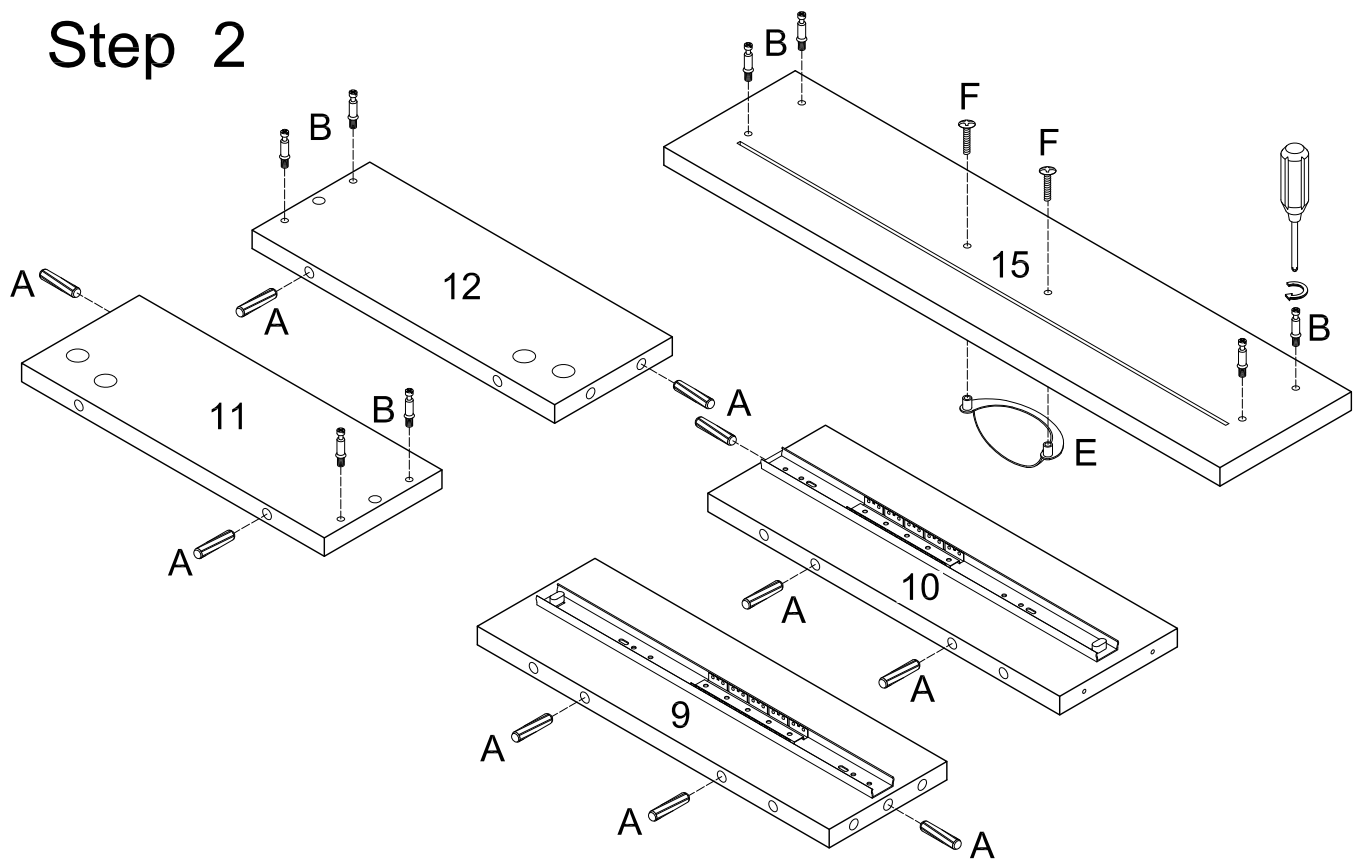
*The hardware quantities listed above are required for proper assembly.
Some extra hardware may also have been included.*

Step 1



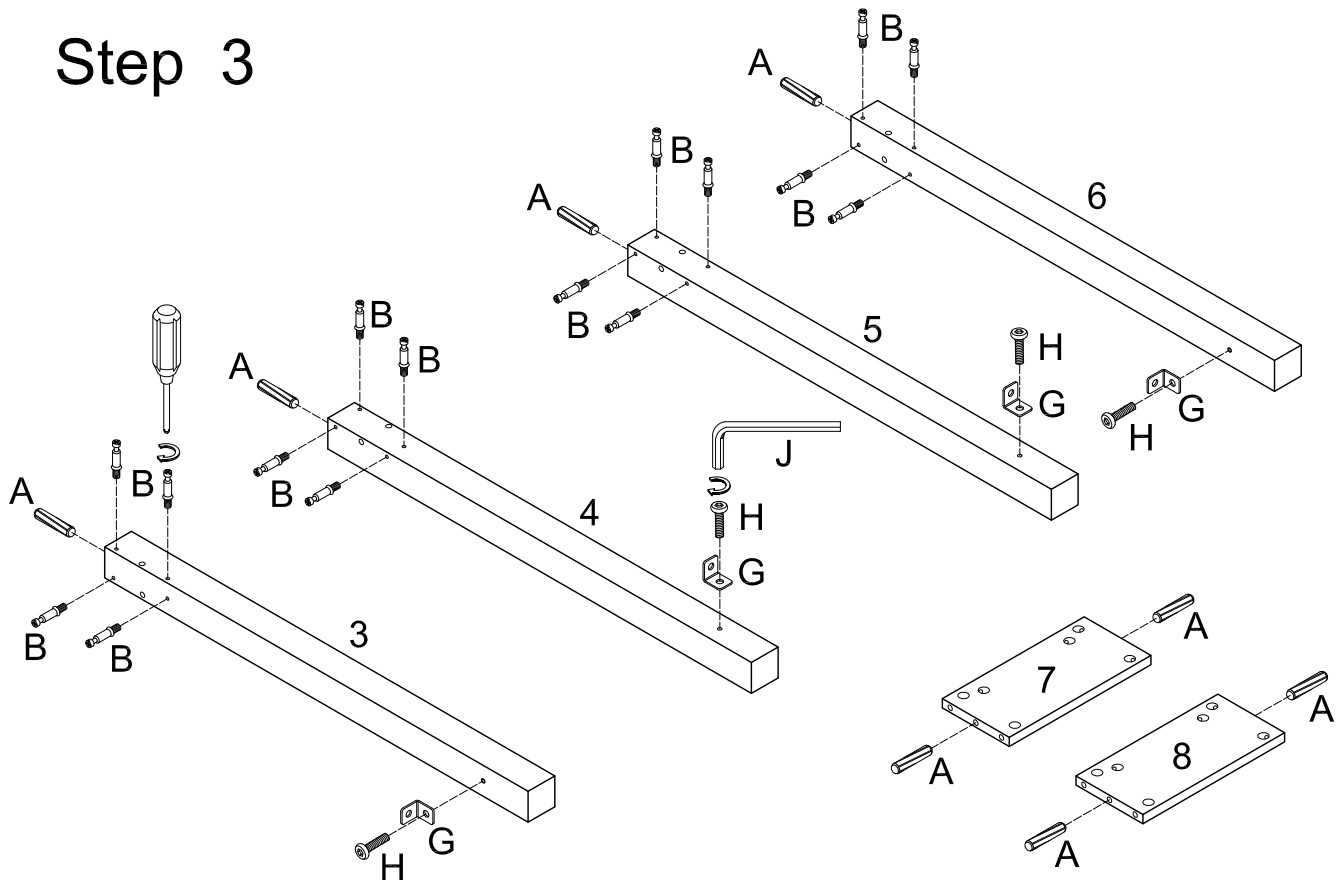
Insert wooden dowel (A) into back panel (2). Secure cam bolt (B) to top panel (1).

Step 2



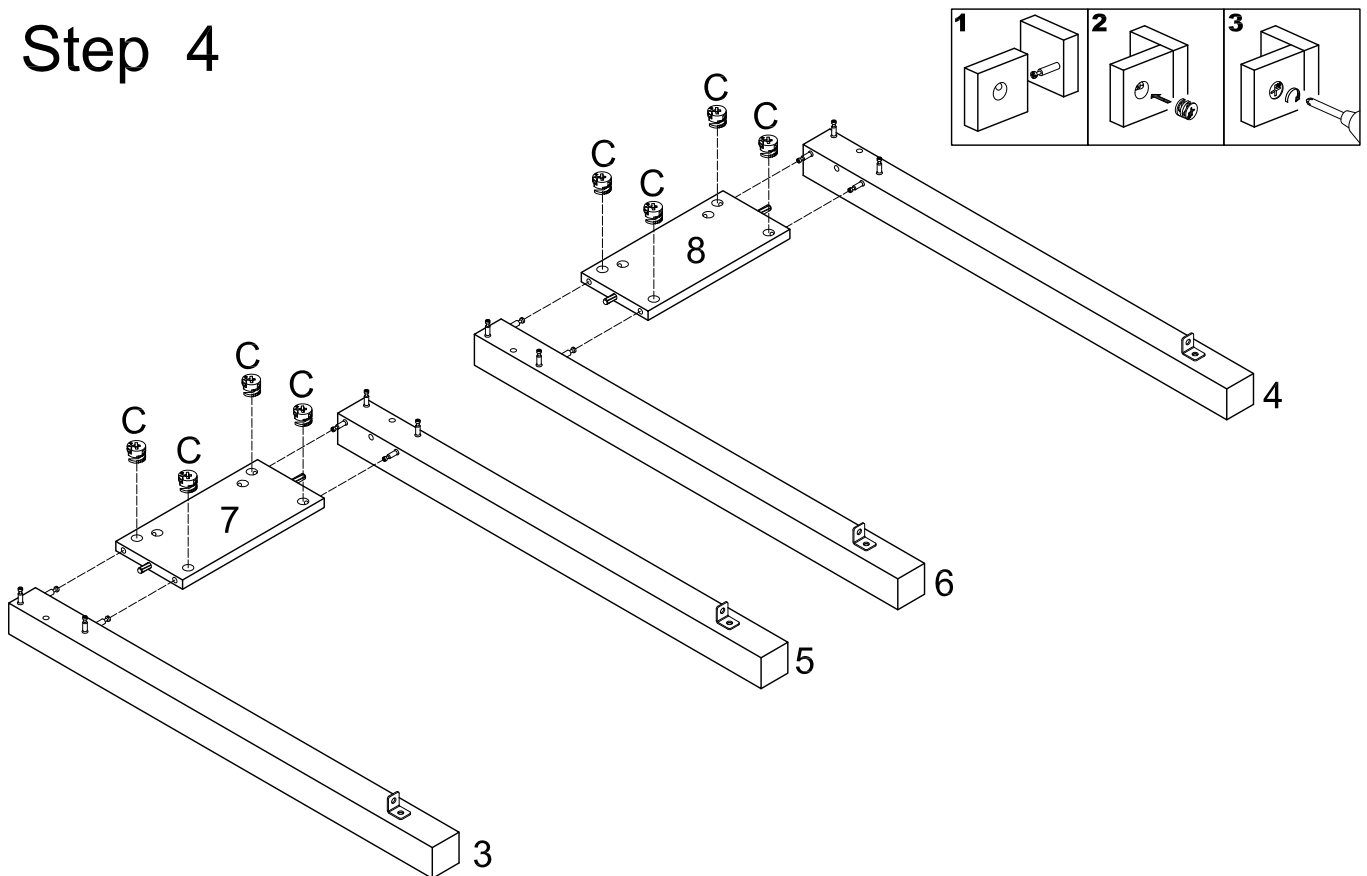
Insert wooden dowel (A) into front panel (11,12) and middle side panel (9,10). Secure cam bolt (B) to front panel (11,12) and drawer front panel (15). Attach handle (E) to drawer front panel(15) with bolt (F).

Step 3



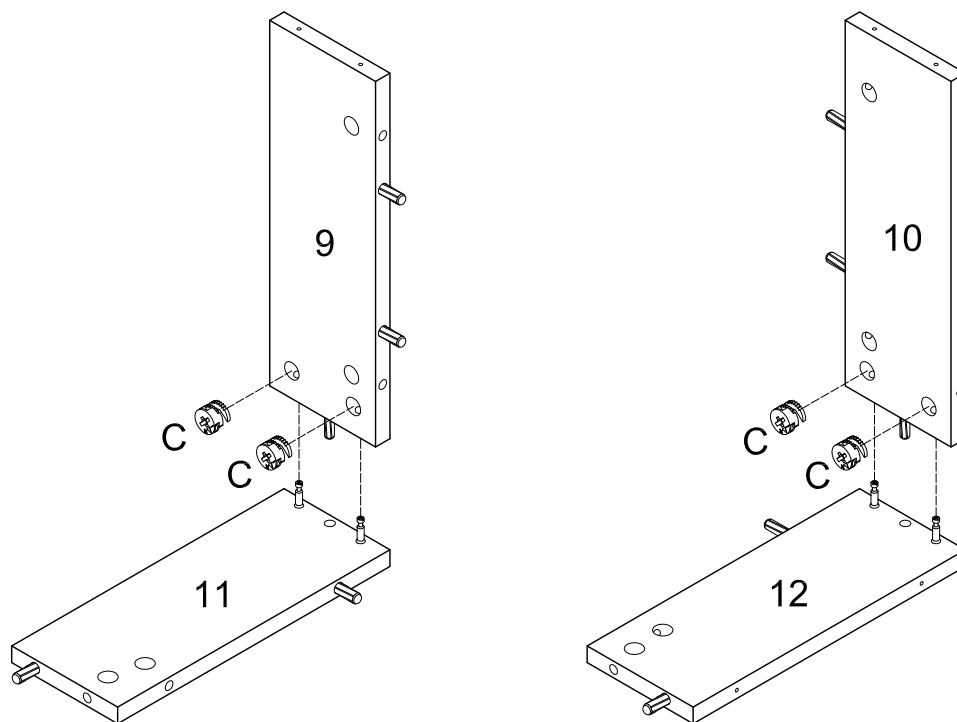
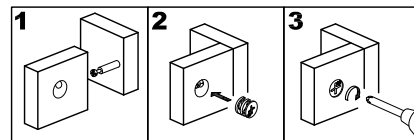
Insert wooden dowel (A) into side panel (7,8), and legs (3,4,5,6). Secure cam bolt (B) to legs (3,4,5,6). Use wrench (J) to secure L shape bracket (G) to legs (3,4,5,6) with bolt (H).

Step 4



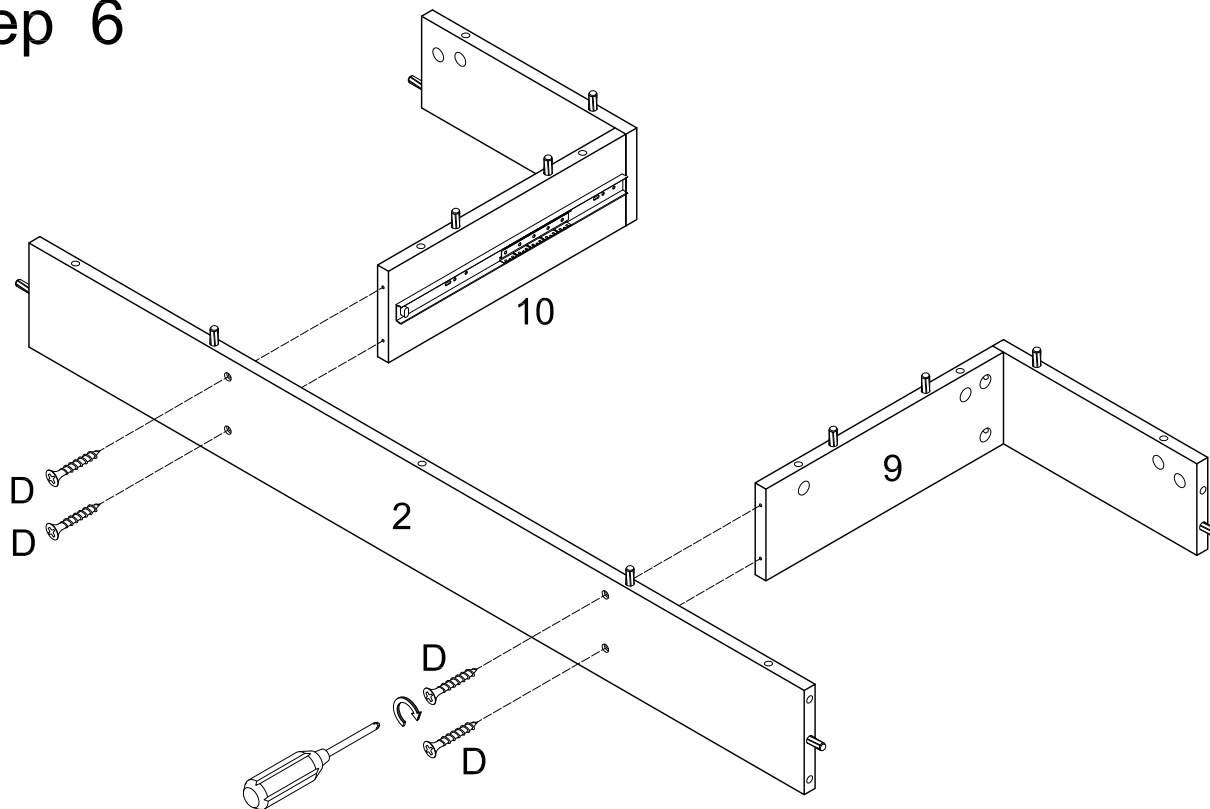
Insert side panel (7,8) into legs (3,4,5,6), then insert cam lock (C) into side panel (7,8) and lock it.

Step 5



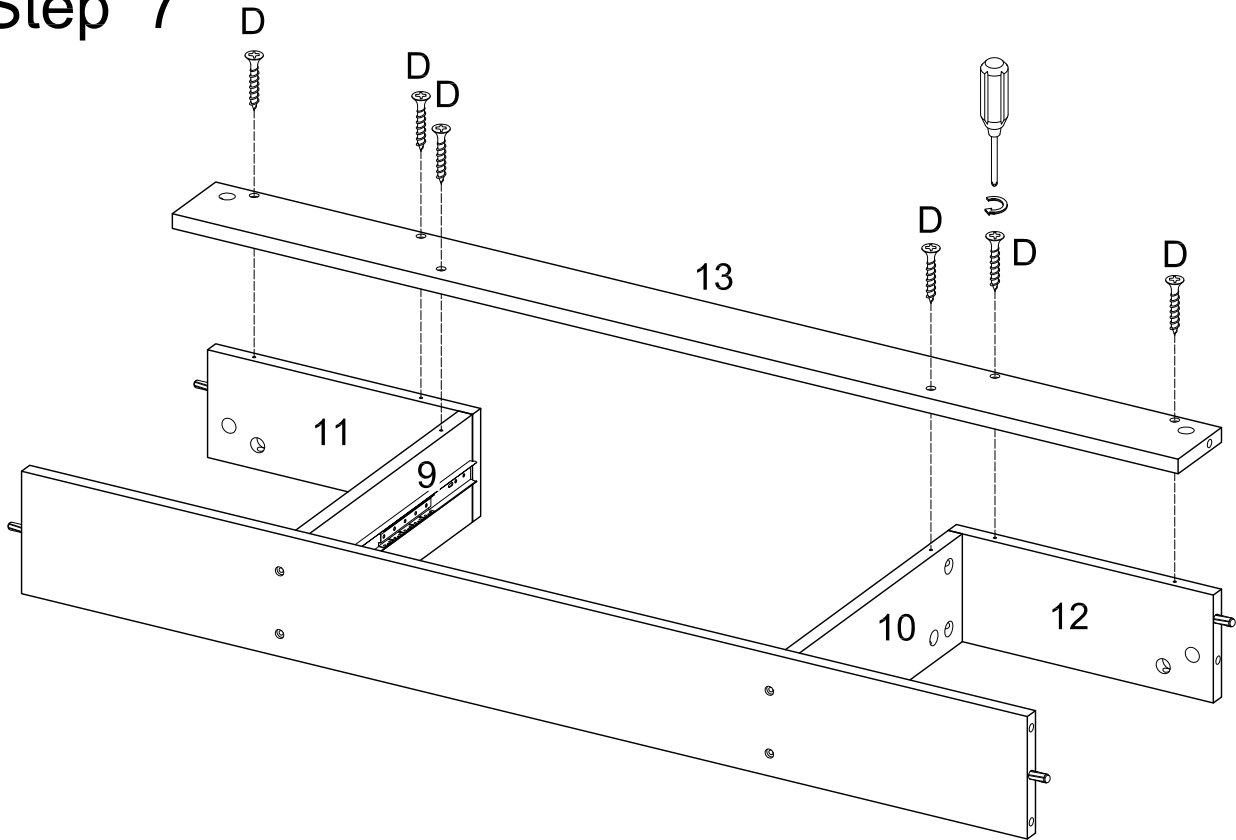
Insert middle side panel (9,10) into front panel (11,12), then insert and secure cam lock (C) to middle side panel (9,10) to lock it.

Step 6



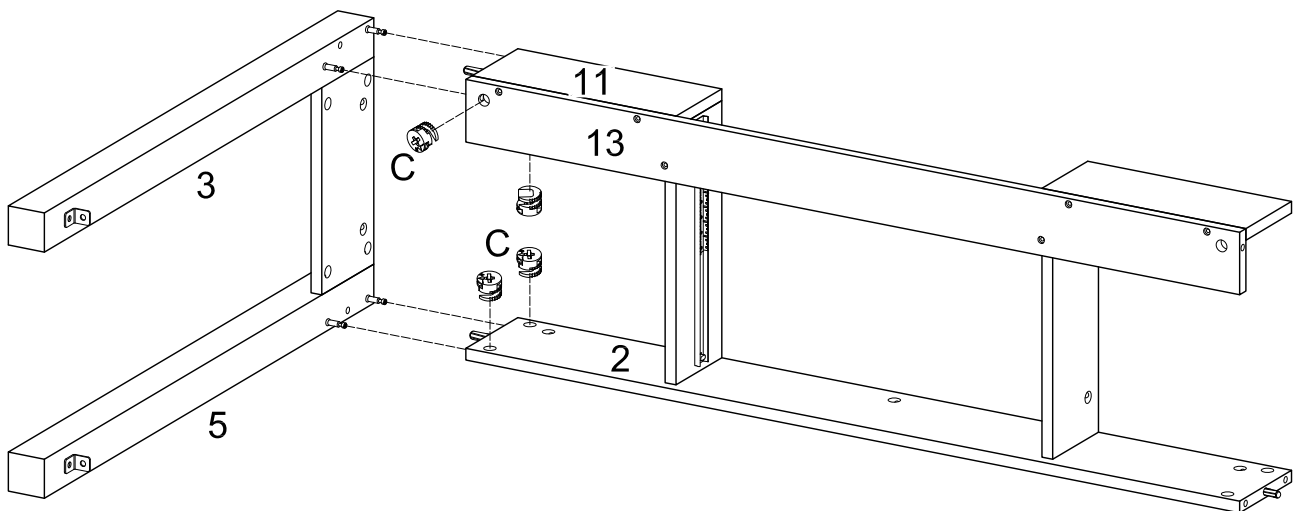
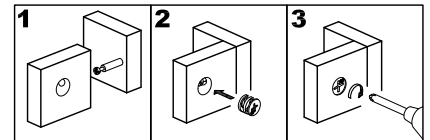
Secure back panel (2) to middle side panel (9,10) with screw (D).

Step 7



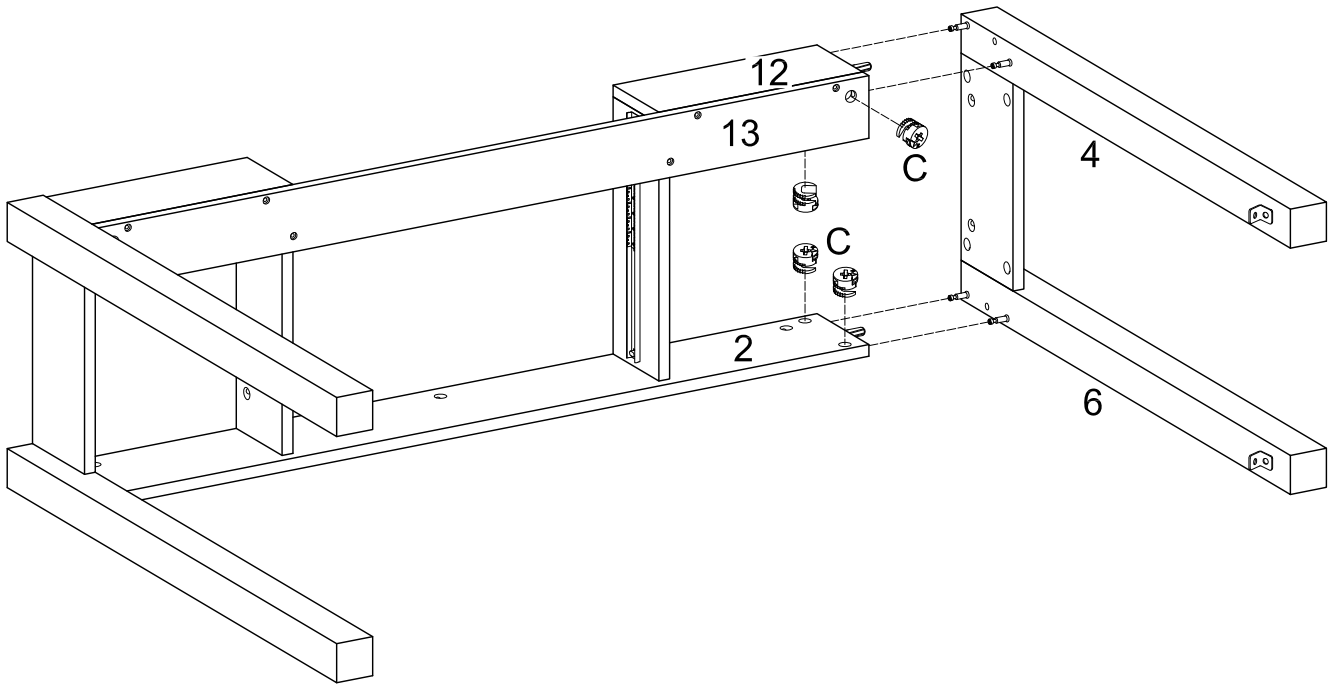
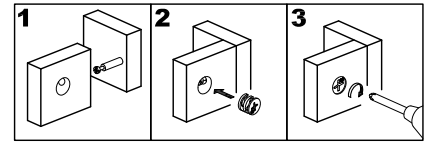
Secure bottom support bar (13) to middle side panel (9,10) and drawer front panel (11,12) with screw (D).

Step 8



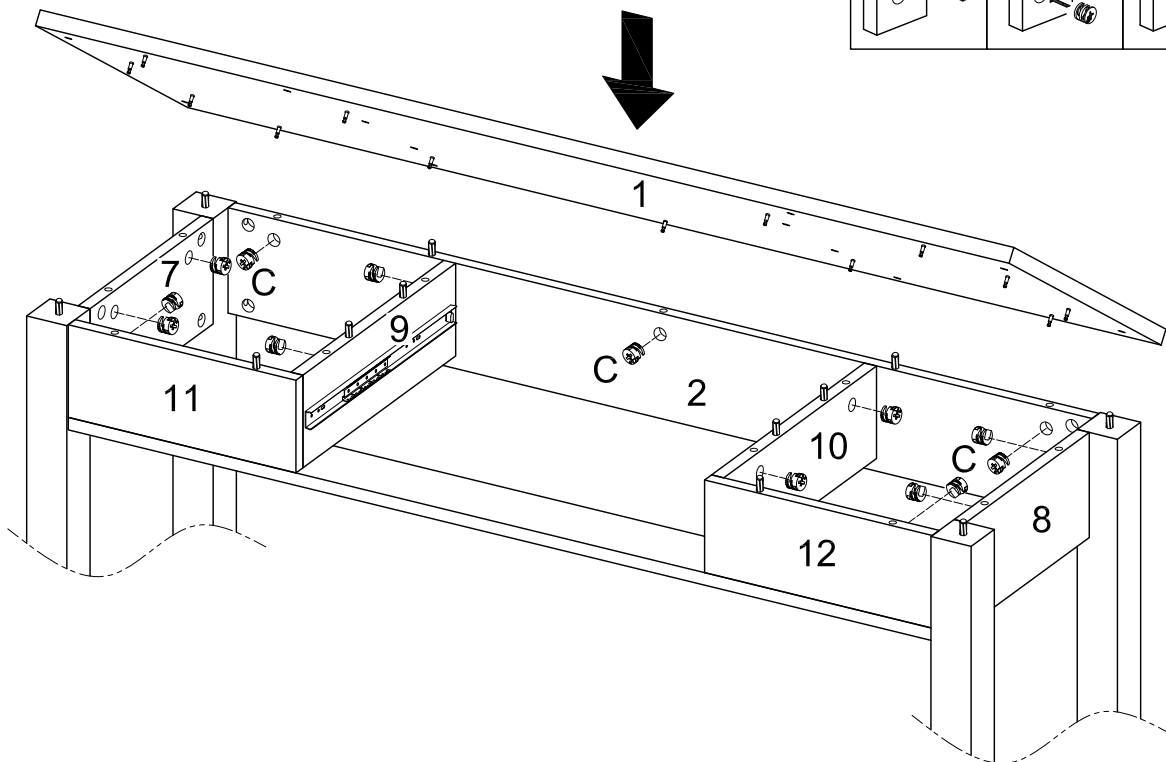
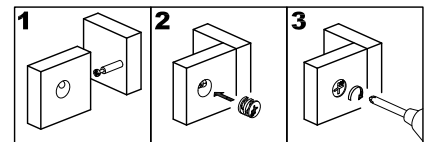
Insert legs (3,5) into drawer front panel (11), bottom support bar (13), and back panel (2), then insert and secure cam lock (C) to drawer front panel (11), bottom support bar (13), and back panel (2) to lock it.

Step 9



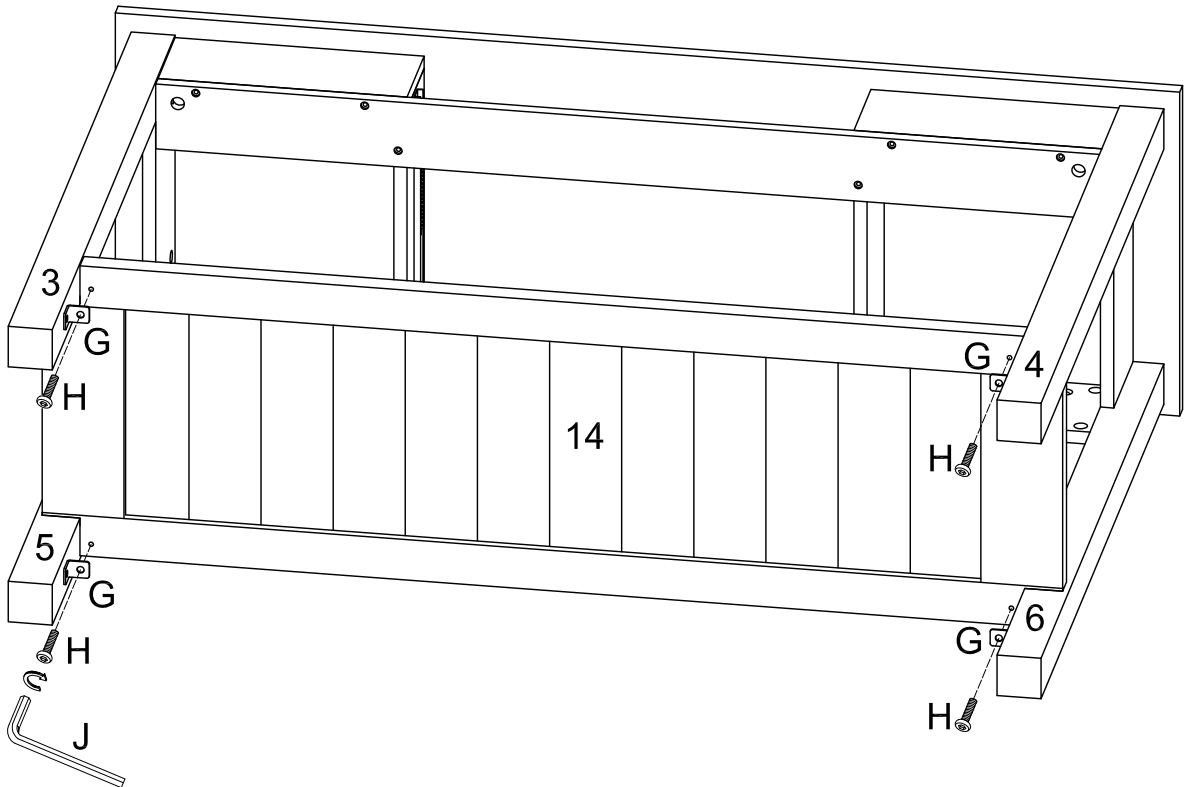
Insert legs (4,6) into drawer front panel (12), bottom support bar (13), and back panel (2), then insert and secure cam lock (C) to drawer front panel (12), bottom support bar (13), and back panel (2) to lock it.

Step 10



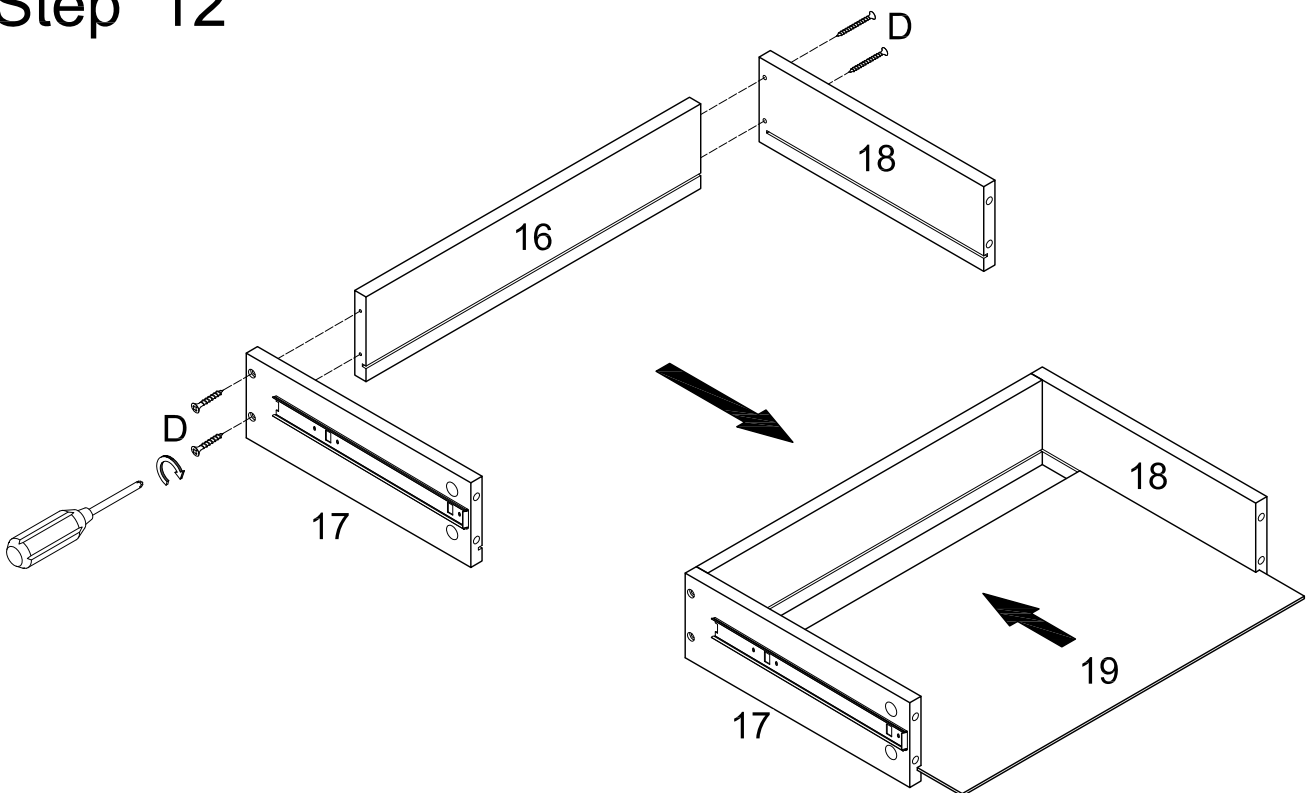
Insert top panel (1) into drawer front panel (11,12), side panel (7,8), middle side panel (9,10), and back panel (2), then insert and secure cam lock (C) to drawer front panel (11,12), side panel (7,8), middle side panel (9,10), and back panel (2) to lock it.

Step 11



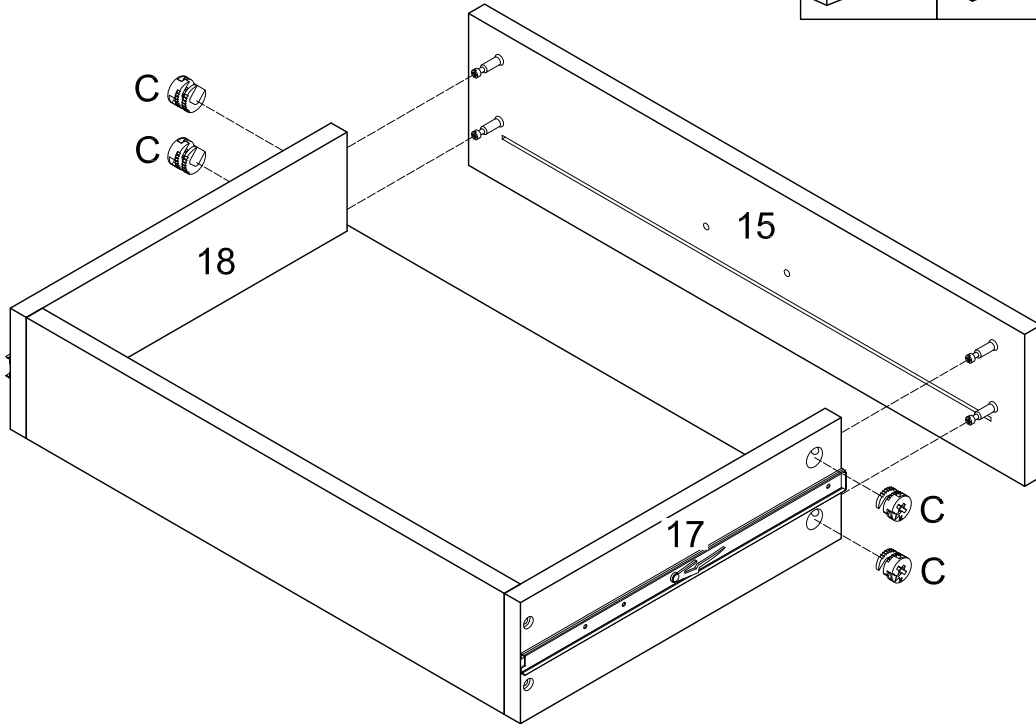
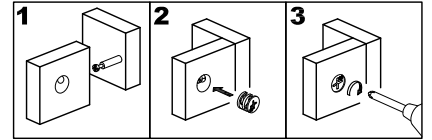
Use wrench (J) to secure shelf (14) to legs (3,4,5,6) with bolt (H) through L shape bracket (G).

Step 12



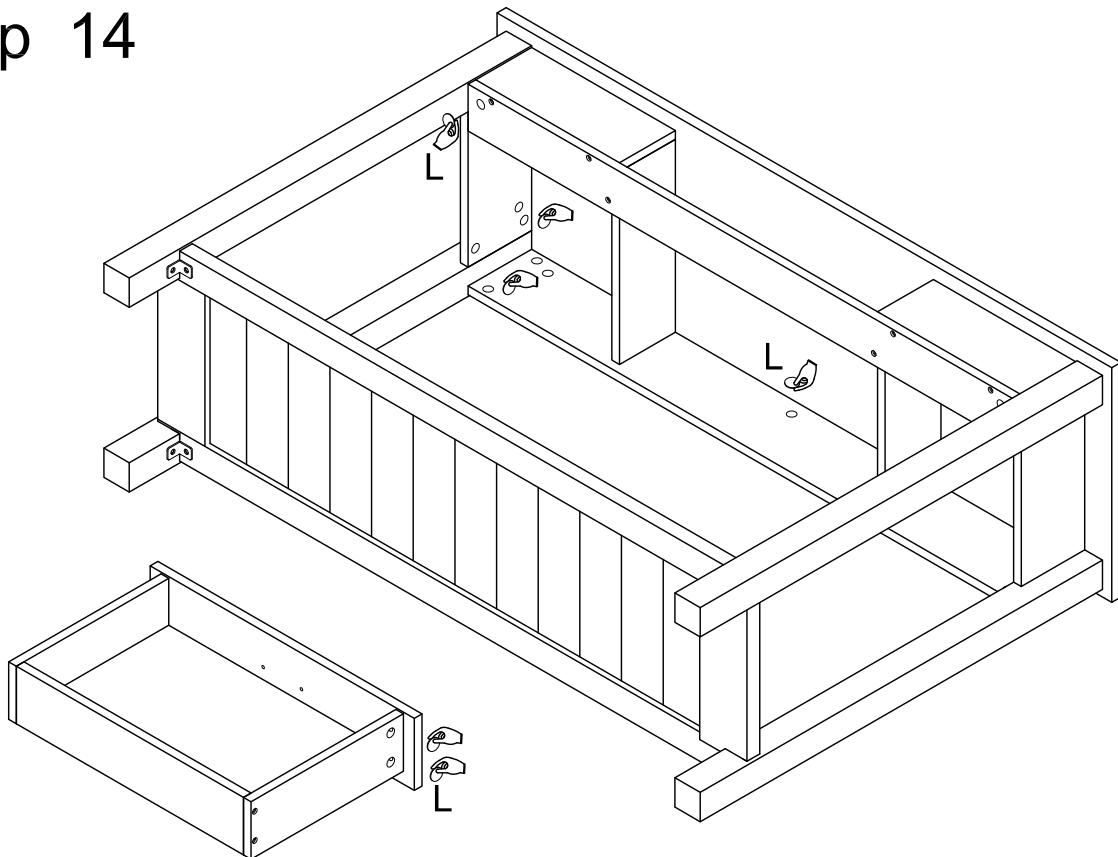
Secure drawer side panel (17,18) to drawer back panel (16) with screw (D). Insert drawer bottom panel (19) through side panel (17,18).

Step 13



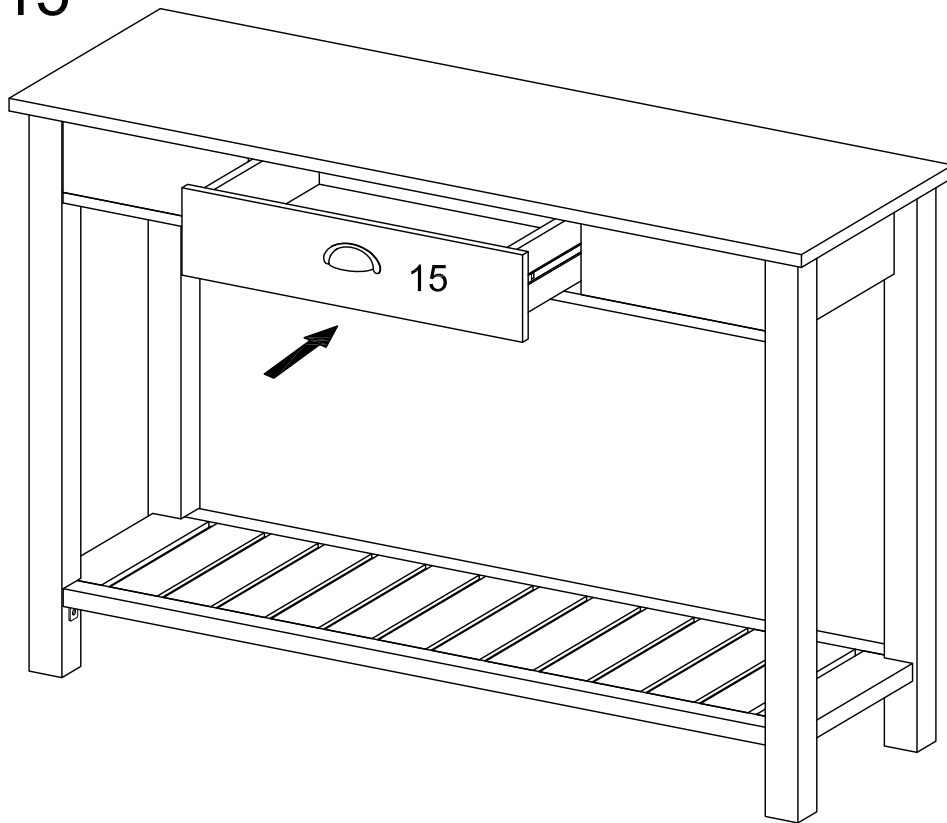
Insert drawer front panel (15) into drawer side panel (17,18), then insert and secure cam lock (C) to drawer side panel (17,18) to lock it.

Step 14



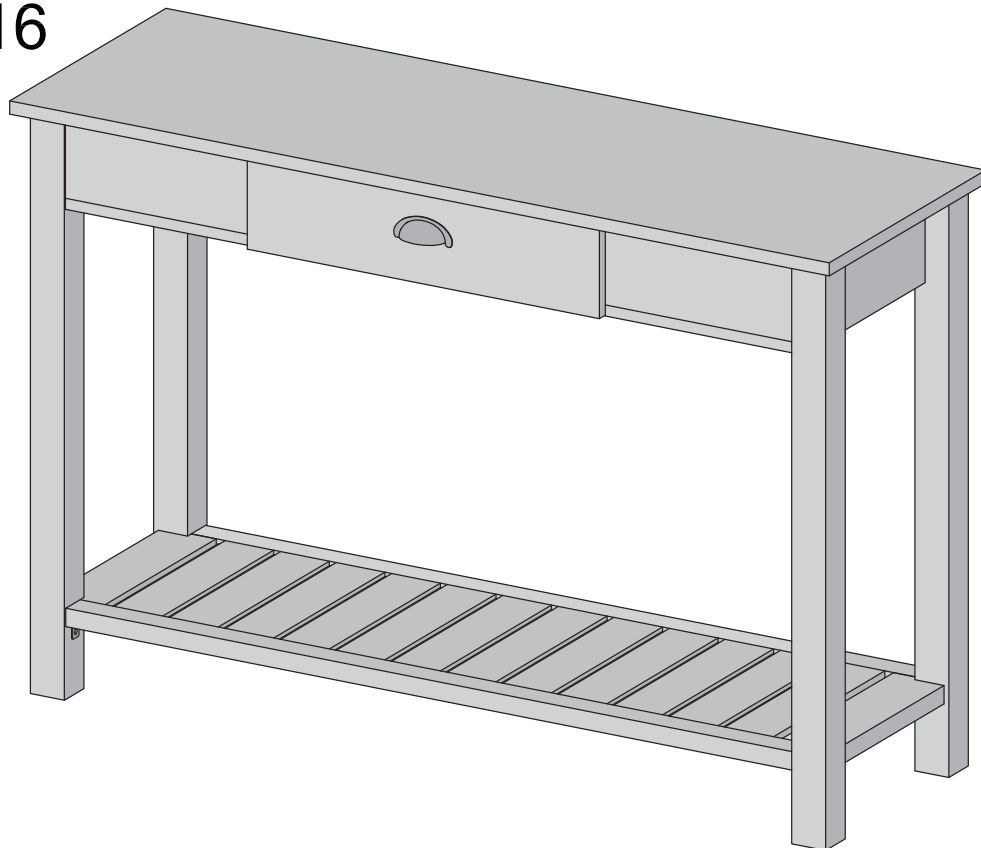
Place sticker (L) over holes as per diagram.

Step 15



Insert drawer carefully as per diagram.

Step 16



Final Assembly