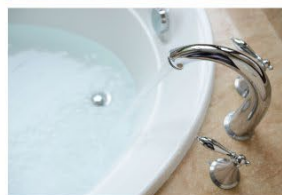
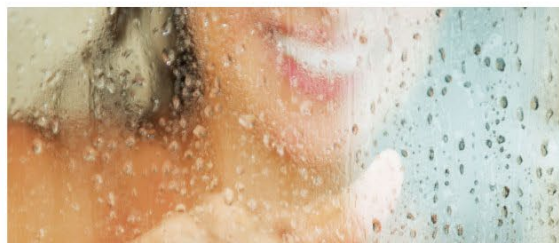


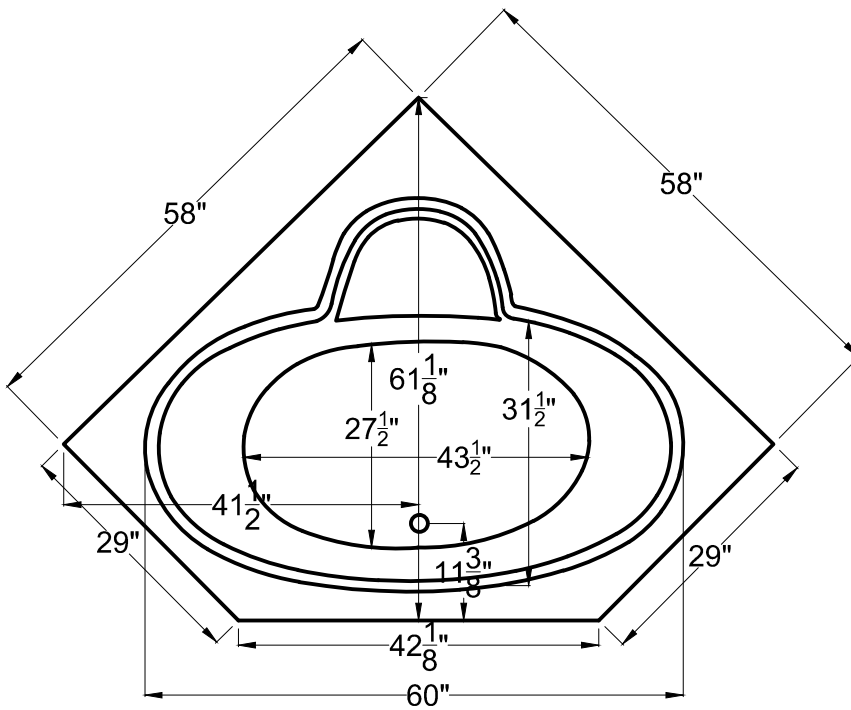
Universal tubs

your doorway to independent bathing

Thank you for choosing Universal Tubs the nationwide manufacturer of walk-in tubs, bathtubs and bathroom fixtures exclusively made for the Home Depot.



For toll-free information or to speak to a knowledgeable representative simply call **1-877-360-4454** or visit us online at **www.UniversalTubs.com** or email us at **info@UniversalTubs.com**.



6060S

58" x 58" x 23"

Installation: Drop-in
cannot be under mounted

GENERAL SPECIFICATIONS:

Material Acrylic

Plumbed Weight : 155lbs / 70 kg

Soaker Weight : 125 lbs / 57kg

Average Fill: 55 gal to above jet level

ELECTRICAL SPECIFICATIONS:

Required Electrical

Service 110 Volt

Air Bath or Whirlpool

1-15 amp GFCI

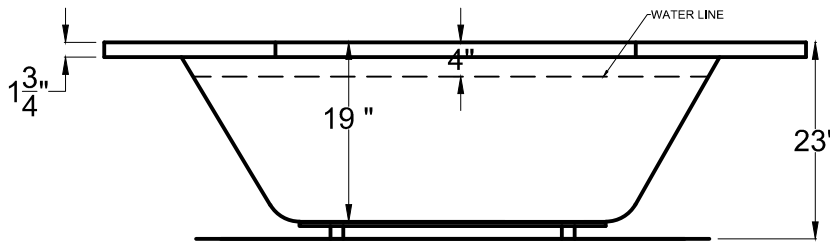
Whirlpool with Inline Heater

1-20 amp GFCI

Whirlpool and Air

1-20 amp GFCI

Soaker



PACKAGES AND OPTIONS

| Hydrotherapy Package | Package Contents | Part # |
|----------------------|---|--------|
| Soaker | Soaking bath - no jets, textured bottom | 6060SS |
| Whirlpool | Adjustable pointed-massage jets, 1-hp pump, textured bottom | 6060SH |
| Air Bath | Air jets, Air blower, Textured bottom | 6060SA |
| Whirlpool and Air | Adjustable pointed-massage jets, 1-hp pump, Air jets, Air blower, textured bottom | 6060SD |

- OPTIONS
- Colors Available - White Biscuit
- Quick Ship - reduces lead time - call for availability
- Inline Heater with Pump - Whirlpool or Whirlpool and Air
- Lift & Turn Drain Kit -Chrome,Brushed Nickel, White
- Color Match Jets.

IMPORTANT INFORMATION

- Before ordering or installing, please consider future access to equipment.
- Add bedding compound to fully level and support bottom of tub.
- Tubs equipped with an air bath or a pre-leveled foam base are designed to rest on the floor without bedding compound, provided the floor is level.
- Please measure tub on-site before building tub decking.
- Jet, pump & blower locations are predetermined and cannot be changed.
- Suction and control locations may vary.
- Specifications and configurations are subject to change without notice.
- Measurements are +1/2" and are subject to change without notice.
- Measurements herein supersede all others published prior to publication date shown below.