

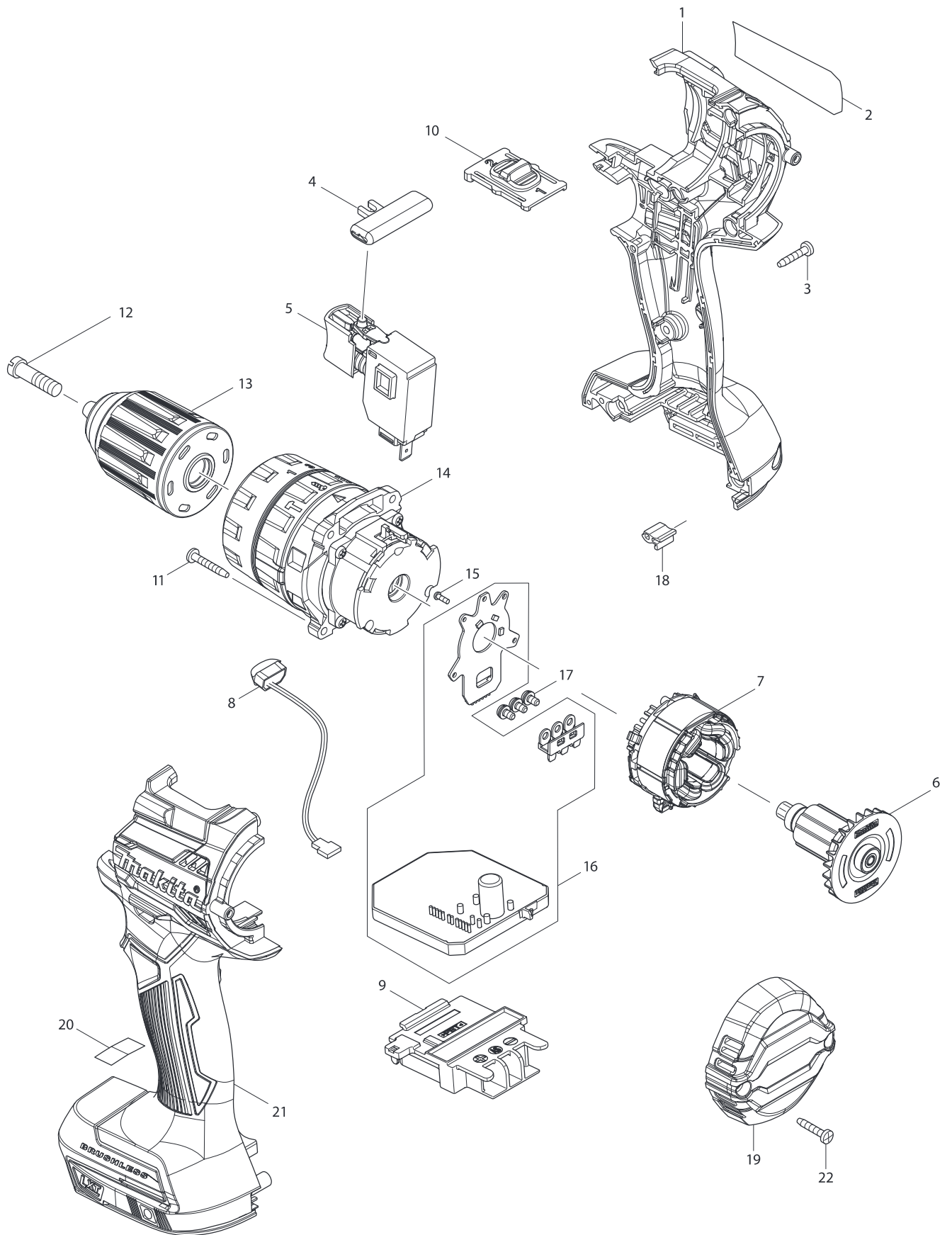
## Model XDT13M/R/Z Parts List

A = Standard Equipment

O = Circuit Diagram

Item#	Part#	Description	Q'ty	Unit
001	183E34-9	HOUSING SET	1	
	C10 263005-3	RUBBER PIN 6	2	PC.
	C20 252126-6	HEX. LOCKING NUT M4-7	2	PC.
	D10	INC. 35		
002	852K78-3	XDT13 NAME PLATE	1	
003	266429-2	TAPPING SCREW 3X16	9	PC.
004	455053-8	F/R CHANGE LEVER	1	PC.
005	143975-1	SWITCH COMPLETE	1	
006	619404-1	ROTOR	1	
007	629224-5	STATOR	1	
008	620557-1	LED CIRCUIT	1	
009	643860-3	TERMINAL	1	PC.
010	231951-8	RING SPRING 11	1	PC.
011	267085-1	FLAT WASHER 12	1	PC.
012	233005-7	COMPRESSION SPRING 13	1	PC.
013	326068-1	BIT SLEEVE	1	PC.
014	424888-8	BUMPER	1	
016	143957-3	HAMMER CASE COMPLETE	1	
017	261151-6	NYLON WASHER 19	1	PC.
018	216040-0	STEEL BALL 3.5	2	PC.
019	326563-1	ANVIL M	1	
020	326564-9	HAMMER	1	
021	216040-0	STEEL BALL 3.5	24	PC.
022	267175-0	FLAT WASHER 24	1	PC.
023	234251-5	COMPRESSION SPRING 25	1	PC.
025	216041-8	STEEL BALL 5.6	2	
026	227362-3	SPUR GEAR 22	2	PC.
027	326562-3	SPINDLE	1	
028	256253-1	PIN 5	2	PC.
029	253314-8	THIN WASHER 15	1	PC.
030	227378-8	INTERNAL GEAR 51	1	
031	213606-7	O RING 48	1	PC.
032	213507-9	O RING 40	1	PC.
033	143958-1	BEARING BOX COMPLETE	1	
035	183E34-9	HOUSING SET	1	
	C10 263005-3	RUBBER PIN 6	2	PC.
	C20 252126-6	HEX. LOCKING NUT M4-7	2	PC.
	D10	INC. 1		
039	266490-9	TAPPING SCREW PT 2X6	3	PC.
040	652069-6	FLAT HEAD SCREW M3X6	3	PC.
041	620556-3	CONTROLLER	1	
	D10	INC. 8		
042	809R90-6	CAUTION LABEL	1	
A01	266622-8	+ TRUSS HEAD SCREW M4X12	1	PC.
A02	346449-3	HOOK	1	PC.
A03	450128-8	BATTERY COVER	1	PC. (XDT13M/R)
A04	***DC18RC	DC18RC FAST CHARGER	1	PC. (XDT13M/R)
	D10	COMPO-PARTS		
A05	BL1840B	BATTERY BL1840B SET	2	(XDT13M)

	BL1820B	BATTERY BL1820B SET	2	(XDT13R)
A06	141856-3	PLASTIC CARRYING CASE COMPLETE	1 PC.	(XDT13M/R)
C10	162302-3	LATCH	2 PC.	(XDT13M/R)

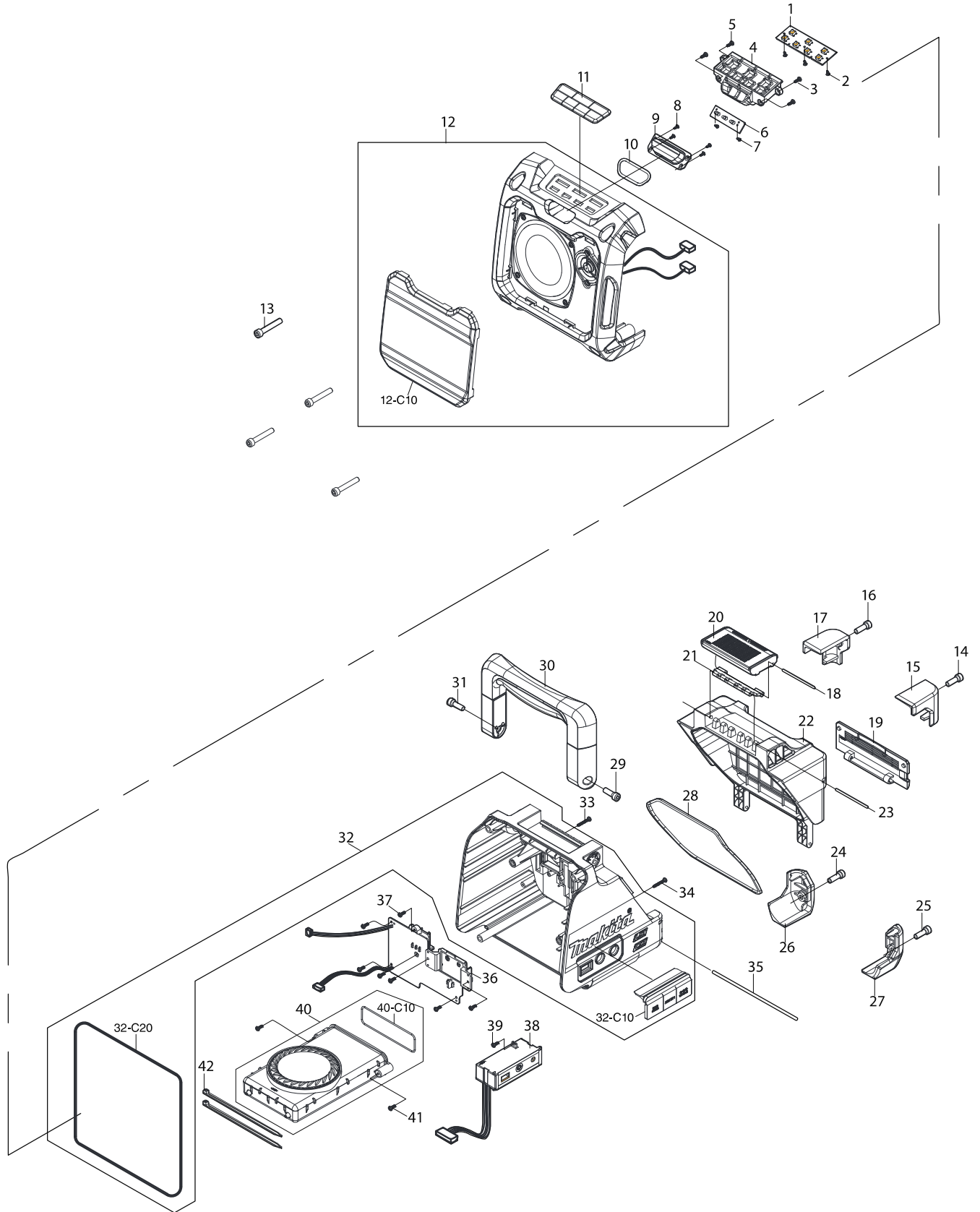


## Model XPH12 M/R/Z Parts List

A = Standard Equipment

O = Circuit Diagram

Item#	Part#	Description	Q'ty	Unit
001	183E71-3	HOUSING SET	1	
	C10 263005-3	RUBBER PIN 6	2	PC.
	C20 252126-6	HEX. LOCKING NUT M4-7	2	PC.
	D10	INC. 21		
002	852L95-9	XPH12 NAME PLATE	1	
003	266429-2	TAPPING SCREW 3X16	7	PC.
004	419041-9	F/R CHANGE LEVER	1	PC.
005	650710-5	SWITCH C3JW-4B	1	
006	619406-7	ROTOR	1	
007	629225-3	STATOR	1	
008	620549-0	LED CIRCUIT	1	
009	643874-2	TERMINAL	1	PC.
010	123738-1	SPEED CHANGE LEVER ASSEMBLY	1	
	C10 233438-6	COMPRESSION SPRING 4	2	PC.
011	251497-8	TAPPING SCREW 3X20	4	
012	251468-5	- FLAT HEAD SCREW M6X22	1	PC.
013	766027-7	KEYLESS DRILL CHUCK 13	1	
014	123736-5	GEAR ASSEMBLY	1	
015	266490-9	TAPPING SCREW PT 2X6	3	PC.
016	620548-2	CONTROLLER	1	
017	652069-6	FLAT HEAD SCREW M3X6	3	PC.
018	424517-3	CUSHION	1	PC.
019	456966-6	REAR COVER	1	
020	809U04-3	CAUTION LABEL	1	
021	183E71-3	HOUSING SET	1	
	C10 263005-3	RUBBER PIN 6	2	PC.
	C20 252126-6	HEX. LOCKING NUT M4-7	2	PC.
	D10	INC. 1		
022	266429-2	TAPPING SCREW 3X16	2	PC.
A01	251314-2	+ SCREW M4X12	1	PC.
A02	346449-3	HOOK	1	PC.
A04	158597-4	PLASTIC CASE COMPLETE	1	PC. (XPH12M/R)
	C10 417724-5	LATCH	2	PC. (XPH12M/R)
A05	450128-8	BATTERY COVER	1	PC. (XPH12M/R)
A06	***DC18RC	DC18RC FAST CHARGER	1	PC. (XPH12M/R)
	D10	COMPO-PARTS		
A07	BL1840B	BATTERY BL1840B SET	2	(XPH12M)
	BL1820B	BATTERY BL1820B SET	2	(XPH12R)



## Model XRM08B Parts List

A = Standard Equipment

○ = Circuit Diagram

Item#	Part#	Description	Q'ty Unit
001	SE00000519	PCB B ASS'Y(KEY BOARD) 07BB3A1	1 PC.
002	SE00000520	SCREW PTPW 2X6(NI) 29S15106002	3 PC.
003	SE00000521	SCREW PTB 3X8(ZK) 29S16308001	2 PC.
004	SE00000522	RUBBER KEY HOLDER 2000B300100	1 PC.
005	SE00000521	SCREW PTB 3X8(ZK) 29S16308001	2 PC.
006	SE00000523	PCB A LED ASS'Y 09DB3A1	1 PC.
007	SE00000520	SCREW PTPW 2X6(NI) 29S15106002	2 PC.
008	SE00000520	SCREW PTPW 2X6(NI) 29S15106002	4 PC.
009	SE00000524	LED LENS 3290B30000010	1 PC.
010	SE00000525	LED LENS PACKING 2400B300500	1 PC.
011	SE00000526	RUBBERE KEY 3100B30000010	1 PC.
012	SE00000622	FRONT CABINET ASS'Y-BLK	1 PC.
C10	SE00000609	SPEAKER GRILL(M.GRAY)	1 PC.
013	SE00000530	SCREW PTHE 6X37(CR) 29S1793701	4 PC.
014	SE09176166	HEX SCREW M6X16	1 PC.
015	SE00000531	BATTERY BUMPER R 3163B30000010	1 PC.
016	SE09176166	HEX SCREW M6X16	1 PC.
017	SE00000532	BATTERY BUMPER L 3162B30000010	1 PC.
018	SE00000533	PIN D2X88 2100B300100	1 PC.
019	SE00000534	PHONE COVER ASS'Y 011B3A5	1 PC.
020	SE00000560	LOCKER COVER 3121B30000020	1 PC.
021	SE00000561	LOCKER HINGE 3300B30000020	1 PC.
022	SE00000538	BATTERY COVER (BLK)3120B300020	1 PC.
023	SE00000539	PIN D2X77 2100B300200	1 PC.
024	SE09176166	HEX SCREW M6X16	1 PC.
025	SE09176166	HEX SCREW M6X16	1 PC.
026	SE00000540	REAR BUMPER L 3160B30000010	1 PC.
027	SE00000541	REAR BUMPER R 3161B30000010	1 PC.
028	SE00000542	BATTERY PACKING 2400B300200	1 PC.
029	SE09176166	HEX SCREW M6X16	1 PC.
030	SE00000544	HANDLE ASS'Y-BLK 01HB3A2	1 PC.
031	SE09176166	HEX SCREW M6X16	1 PC.
032	SE00000546	REAR ASS'Y BLK 01RB3A2	1 PC.
C10	SE00000547	JACK RUBBER COVER 3126B3000001	1 PC.
C20	SE024PC040	PACKING	1 PC.
033	SE00000548	SCREW PTB 3X20(ZK) 29S09990047	1 PC.
034	SE00000548	SCREW PTB 3X20(ZK) 29S09990047	1 PC.
035	SE00000549	BATTERY COVER FIXER PIN 2100b3	1 PC.
036	SE00000593	PCB A ASS'Y XRM08	1 PC.
037	SE00000521	SCREW PTB 3X8(ZK) 29S16308001	7 PC.
038	SE00000554	JACK HOLDER ASS'Y-BLK 011B3A7	1 PC.
039	SE00000521	SCREW PTB 3X8(ZK) 29S16308001	1 PC.
040	SE00000555	MOBILE-PHONE-CASE ASS'Y 011B3A	1 PC.
C10	SE00000556	PHONE CASE PACKING 2400B300400	1 PC.
041	SE00000557	SCREW PTPW 3X10(ZK) 29S1531000	2 PC.
042	SE00000195	W/TIES 100MM	2 PC.
A01	SE00000499	AC ADAPTER (UL) 3A8A12CC13B11	1 PC.