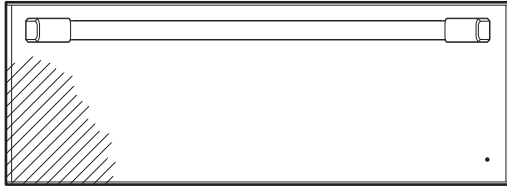


# Café™ 30" Warming Drawer

CTW900P2NS1 / CTW900P3ND1 / CTW900P4NW2

# CAFÉ

DISTINCT BY DESIGN™



ALSO AVAILABLE IN



CTW900P2NS1  
Stainless Steel with  
Brushed Stainless  
handle



CTW900P3ND1  
Matte Black with  
Brushed Stainless  
handle

ADA  
COMPLIANT

## FEATURES & BENEFITS

A range of temperatures for every need - Keep fresh courses at the ideal temperature or heat up dishes perfectly using variable degree control with 80- to 210-degree settings

Humidity made flexible - From crispy to tender, always achieve the right texture with variable humidity control that never compromises results for the sake of warmth

A distinctly clean, smooth look - Your drawer is as easy on the eyes as it is to use thanks to a frameless front that exudes simplicity and style at the same time

It only takes a glance - Always know when your drawer is on with an indicator light that illuminates when it's in operation

Relish every bit of space - Keep items warm with an elevated half rack that maximizes drawer space

Create a look that matches your personal style - Select any combination of premium finishes and hardware options to create a stunning look customized to any owner's taste

## APPEARANCE

Color Appearance	Matte White
Installation	Under Cooktop, Under Wall Oven
Handle Design	Café Pro

## FEATURES

Full Extension Ball Bearing Glides	Yes
Half Rack	Yes
One-piece stainless steel drawer	Yes
Power Cord Length	4' 8"
Receptacle Type	3-Prong Grounding
Variable Humidity Control	Crisp - Moist
Variable Temperature Control	Proof(80)/Low(140)/Med(170)/High(210)
Control Type	On/Off Rocker Switch
Indicator Lights	"ON"

## CAPACITY

Total Capacity (cubic feet)	1.9
-----------------------------	-----

## POWER / RATINGS

Heating Element Wattage	450W
Volts/Hertz/Amps	120V/60Hz/15Amps

## WEIGHTS & DIMENSIONS

Approximate Shipping Weight	65
Cabinet Width	30
Cutout Dimensions (w x h x d) (in.)	28-1/2 x 9-1/4 x 23-1/2
Interior Dimensions (w x h x d) (in.)	23-7/8 x 6-1/4 x 22-1/16
Net Weight	59
Overall Depth	23 1/4
Overall Height	10 1/2
Overall Width	29 3/4

# Café™ 30" Warming Drawer

CTW900P2NS1 / CTW900P3ND1 / CTW900P4NW2

# CAFÉ

DISTINCT BY DESIGN™

## WARRANTY

Parts warranty	Limited 1-year entire appliance
Labor warranty	Limited 1-year entire appliance
Warranty notes	See written warranty for full details

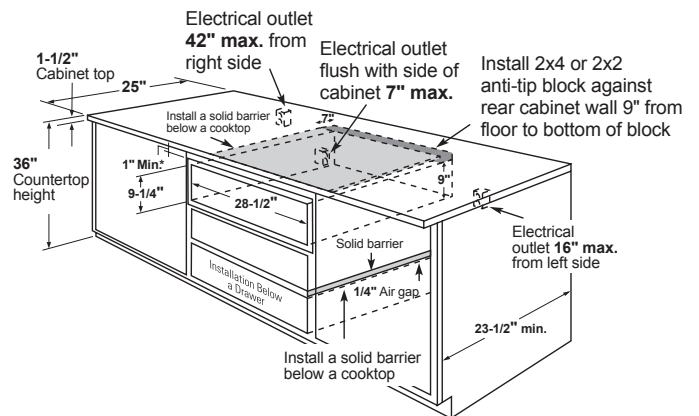
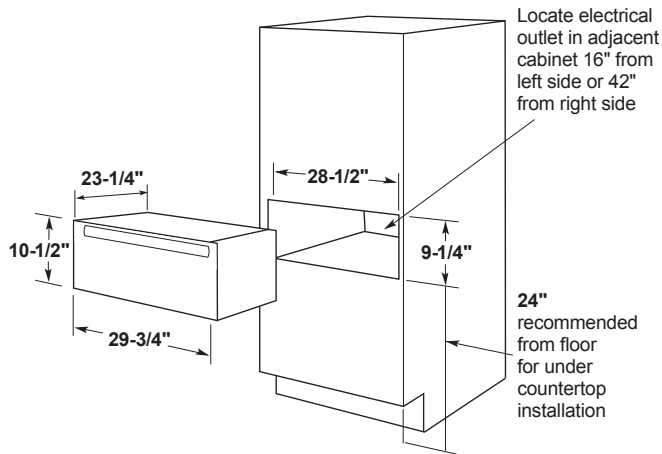
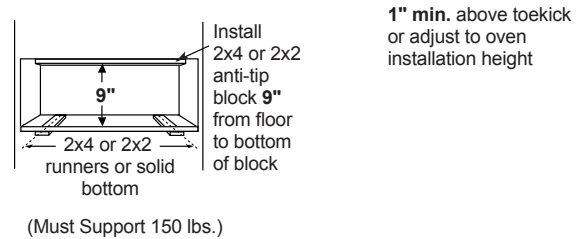
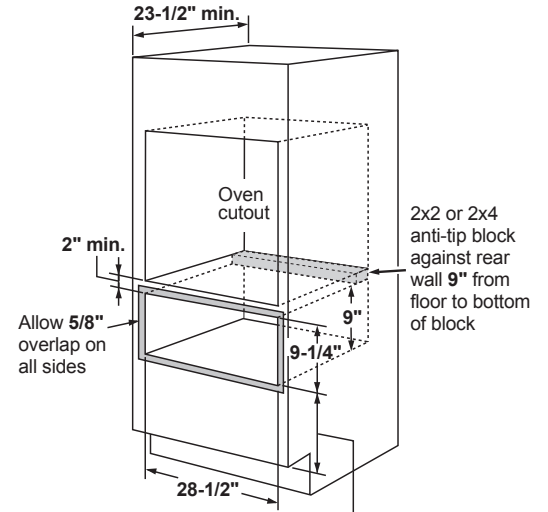
## DIMENSIONS AND INSTALLATION INFORMATION (IN INCHES)

**Undercounter Installation:** A solid barrier must be installed at least 1" from the lowest point of the bottom of cooktop burner box to the top of the cutout. Use any solid material such as 1/4"-thick plywood. Allow at least 1/4" air gap between the barrier and the top of the warming drawer. See label on top of the warming drawer for approved cooktop models.

**Under Oven Installation:** Additional clearance between cutouts may be required. Check to be sure that oven supports above the warming drawer location do not obstruct the required interior 23-1/2" depth and 9-1/4" height.

**Door handle protrudes 2-1/2" from door face. Cabinets and drawers on adjacent 45° and 90° walls should be placed to avoid interference with the handle.**

**Installation Information:** Before installing, consult installation instructions packed with product for current dimensional data.



KW Rating	
120V	.45
Breaker Size	
120V	15 Amps

	A	B
30" Drawer	28-1/2"	29-3/4"

## ADDITIONAL ACCESSORIES



CXWD0H0PMBZ  
Brushed Bronze  
2 handles  
(Standard on Matte White)



CXWD0H0PMSS  
Brushed Stainless  
2 handles  
(Standard on Matte Black)



CXWD0H0PMBT  
Brushed Black  
2 handles



CXWD0H0PMCUC  
Brushed Copper  
2 handles