

PGS960BEL/EEL/SEL/FEL

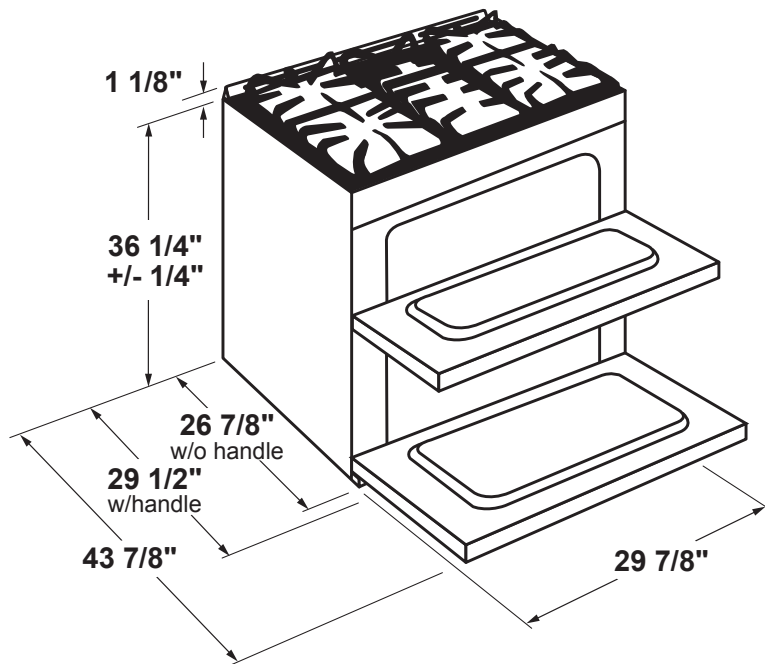
GE Profile™ Series 30" Slide-In Front Control Gas Double Oven Convection Range

NOTE: Door handle protrudes 3" from door face. Cabinets and drawers on adjacent 45° and 90° walls should be placed to avoid interference with the handle.

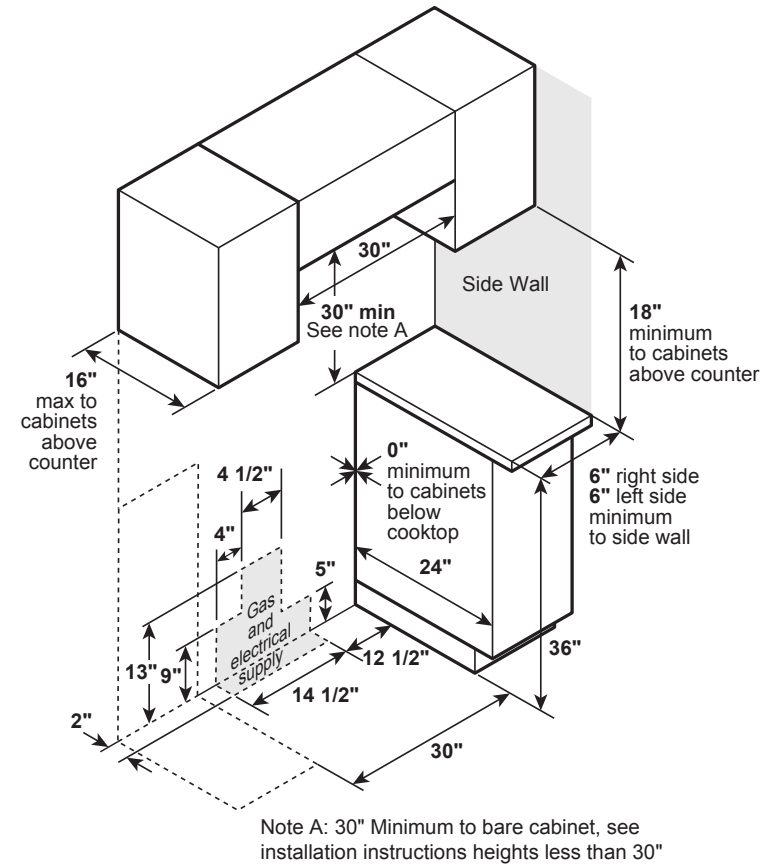
NOTE: Cabinets installed adjacent to slide-in ranges must have an adhesion spec of at least 194° temperature rating.

INSTALLATION INFORMATION: Before installing, consult installation instructions packed with product for current dimensional data.

For all installations, install the required rear trim to back of range with 4 screws provided.



GAS PIPE AND ELECTRICAL OUTLET LOCATIONS



For answers to your Monogram, GE Café™ Series, GE Profile™ Series or GE Appliances product questions, visit our website at geappliances.com or call GE Answer Center® Service, 800.626.2000.



All GE ranges are equipped with an Anti-Tip device. The installation of this device is an important, required step in the installation of the range.

PGS960BEL/EEL/SEL/FEL

GE Profile™ Series 30" Slide-In Front Control Gas Double Oven Convection Range

FEATURES AND BENEFITS

Edge-to-edge cooktop – A large, continuous cooking surface gives you extra room for pots and pans of all sizes and lets cookware move easily from burner to burner

21,000 BTU Tri-ring burner – Versatile burner creates intense heat perfect for searing, frying and sautéing

Extra-large, integrated, reversible cast iron grill/griddle – Enjoy ultimate cooking versatility. Cook up to six grilled cheeses on the industry's largest integrated griddle, and then flip it over to grill your favorite foods.

Dual-purpose center burner – Cook your way with a round burner for steaming broccoli and an oval burner for griddling sandwiches

15,000 BTU Power Boil burner

Wi-fi Connect – Wirelessly control oven functions from your smartphone

Chef Connect – Three options with a single touch. For instant convenience, choose when to automatically sync clocks and the range elements with the microwave's surface light and vent

True European Convection – Achieve delicious results from a third heating element and fan combination

6.7 cu. ft. total double oven capacity – An upper everyday oven preheats quickly while the larger lower oven is perfect for dinner parties and large meals

Self-clean, heavy-duty oven racks – Long-lasting racks look great and can be cleaned at the same time as the oven

Temperature Probe – Internal probe allows monitoring of roasts and meats to assure they are thoroughly and accurately cooked without opening the oven door

Self-clean with Steam Clean option – Clean your oven the way you want

Model PGS960BELTS – Black stainless

Model PGS960EELES – Slate

Model PGS960SELSS – Stainless steel

Model PGS960FELDS – Black slate



GUARANTEED FIT

Replace your old 30" free-standing range with a new 30" slide-in model. GE slide-in ranges are guaranteed for an exact fit or GE Appliances will pay up to \$300 toward modifications.

Visit geappliances.com for more info

