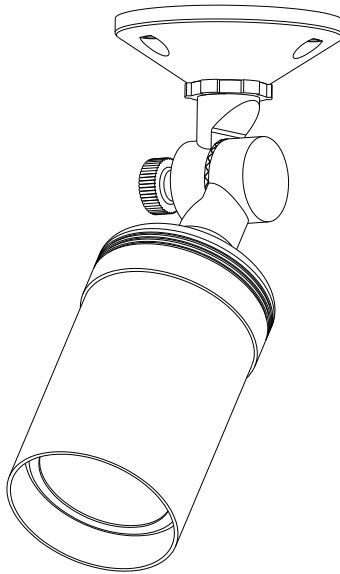


USE AND CARE GUIDE

LED Universal Mount Spot Light



Questions, problems, missing parts? Before returning to the store,
call Home Decorators Collection Customer Service
8 a.m. - 7 p.m., EST, Monday – Friday, 9 a.m. - 6 p.m., EST, Saturday

1-800-986-3460

WWW.HOMEDEPOT.COM/HOMEDECORATORS

THANK YOU

We appreciate the trust and confidence you have placed in Home Decorators Collection through the purchase of this LED universal mount spot light. We strive to continually create quality products designed to enhance your home. Visit us online to see our full line of products available for your home improvement needs.

Thank you for choosing Home Decorators Collection!

Table of Contents

Table of Contents.....	2	Hardware Included.....	3
Safety Information.....	2	Package Contents.....	4
Warranty.....	2	Installation.....	5
Pre-Installation.....	3	Care & Cleaning.....	7
Planning Installation.....	3	FCC Rules.....	7
Tools Required.....	3	Troubleshooting.....	7

Safety Information

- Read all instructions before assembling and installing.
- Consult a qualified electrician for installation of this fixture.
- If you have any non-electrical questions about this fixture, please contact our Customer Service Team at 1-800-986-3460 or visit www.homedepot.com/homedecorators.
- Please reference your SKU 1003 515 556 or (UPC 773546287418).
- Keep your receipt and these instructions for proof of purchase.



CAUTION: Before starting installation of this fixture or removal of a previous fixture, disconnect the power by turning off the circuit breaker or by removing the fuse at the fuse box.



IMPORTANT: Inspect the wire insulation for any cuts, abrasions, or exposed copper that have occurred during shipping. If there is a defect in the wire, do not continue the assembly process. Please call our Customer Service Team at 1-800-986-3460.

Warranty

LIMITED WARRANTY

WHAT IS COVERED

The manufacturer warrants this lighting fixture to be free from defects in materials and workmanship for a period of five (5) years from date of purchase. This warranty applies only to the original consumer purchaser and only to products used in normal use and service. If this product is found to be defective, the manufacturer's only obligation, and your exclusive remedy, is the repair or replacement of the product at the manufacturer's discretion, provided that the product has not been damaged through misuse, abuse, accident, modification, alteration, neglect, or mishandling.

WHAT IS NOT COVERED

This warranty shall not apply to any product that is found to have been improperly installed, set-up, or used in any way not in accordance with the instructions supplied with the product. This warranty shall not apply to a failure of the product as a result of an accident, misuse, abuse, negligence, alteration, faulty installation, or any other failure not relating to faulty material or workmanship. This warranty shall not apply to the finish on any portion of the product, such as surface and/or weathering, as this is considered normal wear and tear. The manufacturer does not warrant and specially disclaims any warranty, whether express or implied, of fitness for a particular purpose, other than the warranty contained herein. The manufacturer specifically disclaims any liability and shall not be liable for any consequential or incidental loss or damage, including but not limited to any labor/expense costs involved in the replacement or repair of said product.

Contact Customer Care at 1-800-986-3460 or visit www.homedepot.com/homedecorators.

Pre-Installation

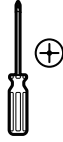
PLANNING INSTALLATION

Read all instructions before assembly and installation. To avoid damaging this product, assemble it on a soft, non-abrasive surface, such as carpet or cardboard. Inspect each part for defects that may have occurred during shipping. Keep your receipt and these instructions for proof of purchase.

TOOLS REQUIRED



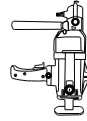
Safety goggles



Phillips screwdriver



Electrical tape



Electric drill



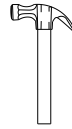
Wire strippers



Wire cutters



Ladder

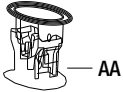


Hammer

HARDWARE INCLUDED



NOTE: Hardware not shown to actual size.



AA



BB



CC

Rated Voltage: 12V

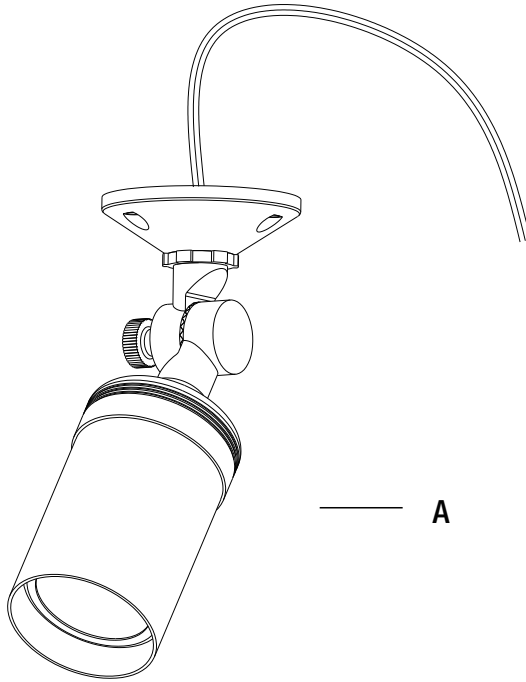
Rated Current: 4A

Wire Range: SPT-1W or SPT-2W 2*18 AWG

Part	Description	Quantity
AA	Quick clip connector	1
BB	Screw	3
CC	Plastic anchor	3

Pre-Installation (continued)

PACKAGE CONTENTS

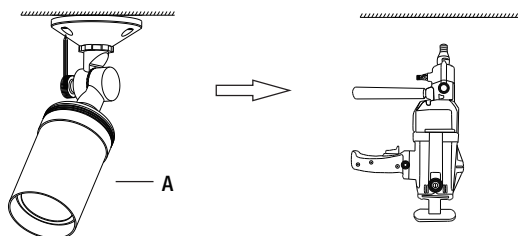


Part	Description	Quantity
A	Fixture body	1

Installation

1 Preparing the installation location

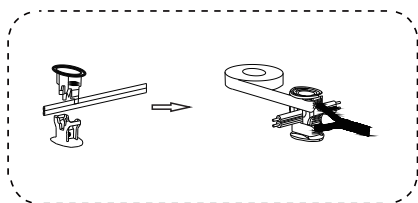
- Position the fixture in the desired installation location. Use a pencil to mark the three installation holes located on the fixture.
- Use a drill with a 3/16 in. drill bit to pre-drill the installation holes 1-3/16 in. deep.



2 Making the electrical connections

WARNING: Turn off power at the main fuse box.

- Place the quick clip connector (AA) on opposite sides of the low voltage cable (not included) where the fixture will be located.
- Press the quick clip connector (AA) together until fully seated and locked around the cable. Pre-set prongs will pierce the cable insulation and establish contact.
- Once the connector is in place, wrap it with electrical tape (not included) for additional protection.



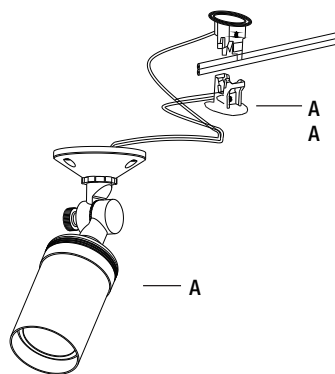
- The main low voltage cable is intended for shallow burial - less than 6 in. (152 mm).
- The unit low voltage cable shall be protected by routing in close proximity to the luminaire or fitting, or next to a building structure such as a house or deck. Do not bury more than 6 in. (152 mm) in order to connect to the main low voltage cable. Cut off any excess cable.

IMPORTANT:



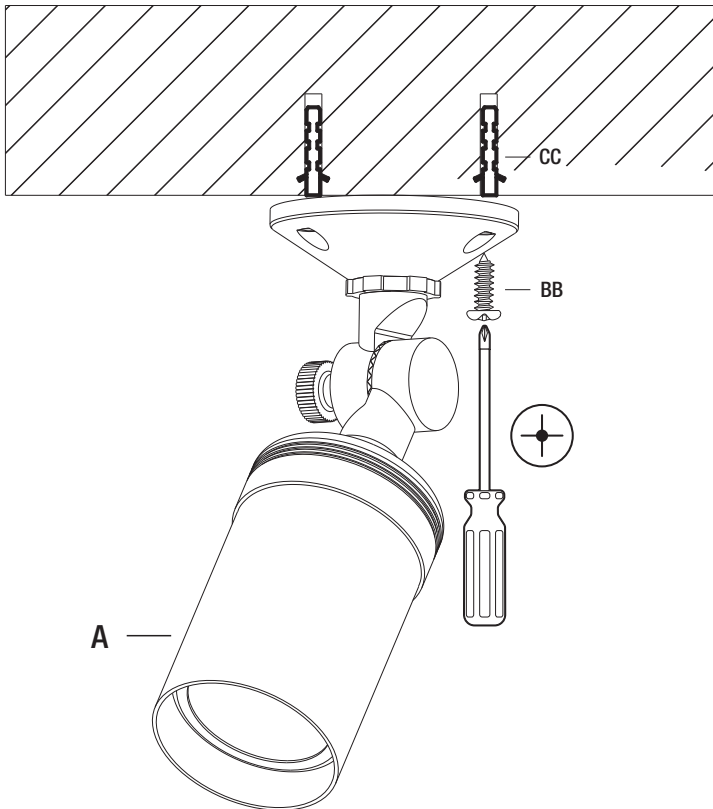
Use 2*18AWG SPT-1W or SPT-2W type wire with the connector.

Risk of Electric Shock. Install all luminaires 10 ft. (3.05 m) or more from a spa, or fountain.



3 Install the fixture to the ceiling

- Insert the plastic anchors (CC) into the screw holes.
- Secure the fixture to the ceiling using the screws (BB).



Care and Cleaning

- Clean the light fixture carefully with a soft, dry cloth. Do not use any cleaners with chemicals, solvents, or harsh abrasives.

FCC Rules

This device complies with Part 15 of the FCC Rules. Operation is subject to the following two conditions: (1) this device may not cause harmful interference, and (2) this device must accept any interference received, including interference that may cause undesired operation.

“Please note that changes or modifications of this product that are not expressly approved by the party responsible for compliance could void the user's authority to operate the equipment.”

NOTE: This equipment has been tested and found to comply with the limits for a Class B digital device, pursuant to Part 15 of the FCC Rules. These limits are designed to provide reasonable protection against harmful interference in a residential installation. This equipment generates, uses and can radiate radio frequency energy and, if not installed and used in accordance with the instructions, may cause harmful interference to radio communications. However, there is no guarantee that interference will not occur in a particular installation. If this equipment does cause harmful interference to radio or television reception, which can be determined by turning the equipment off and on, the user is encouraged to try to correct the interference by one or more of the following measures:

- Reorient or relocate the receiving antenna.
- Increase the separation between the equipment and receiver.
- Connect the equipment into an outlet on a circuit different from that to which the receiver is connected.
- Consult the dealer or an experienced radio/TV technician for help.

Troubleshooting

Problem	Possible Cause	Solution
□ The product will not light.	□ The wires are connected mistakenly or bad connection.	□ Check and reconnect the wires.
	□ The power is off.	□ Ensure that the power supply is turned on.
	□ The circuit breaker is off.	□ Ensure that the circuit breaker is set to the ON position.
□ The fuse blows or the circuit breaker trips when the light is turned on.	□ There are too many items on one circuit.	□ Unplug the other items on the circuit. □ Contact a qualified electrician or call the Customer Service Team at 1-800-986-3460.

Cable Selection

12 VOLT TAP Total Fixture Wattage	Cable Length		
	0-36 feet	36-72 feet	72-108 feet
0-36 Watts	18 AWG	18 AWG	16 AWG
37-72 Watts	18 AWG	16 AWG	16 AWG
73-108 Watts	16 AWG	16 AWG	14 AWG
109-144 Watts	16 AWG	14 AWG	14 AWG
145-180 Watts	14 AWG	14 AWG	12 AWG
181-216 Watts	14 AWG	12 AWG	Not recommended
217-252 Watts	12 AWG	12 AWG	Not recommended
253-288 Watts	12 AWG	12 AWG	Not recommended

***NOT RECOMMENDED FOR HALOGEN LANDSCAPE LIGHTS**

This data is provided as a general guideline. Actual performance will depend on the installation layout, the fixtures, and the condition of cable.

HOME DECORATORS COLLECTION

Questions, problems, missing parts? Before returning to the store,
call Home Decorators Collection Customer Service
8 a.m. - 7 p.m., EST, Monday – Friday, 9 a.m. - 6 p.m., EST, Saturday

1-800-986-3460

WWW.HOMEDEPOT.COM/HOMEDECORATORS

Retain this manual for future use.