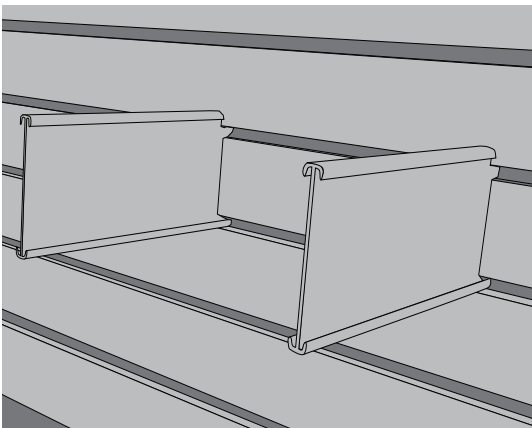


# Plastic Basket Assembly Instructions

For 4" x 10", 4" x 20", 8" x 10", or 8" x 20" Baskets

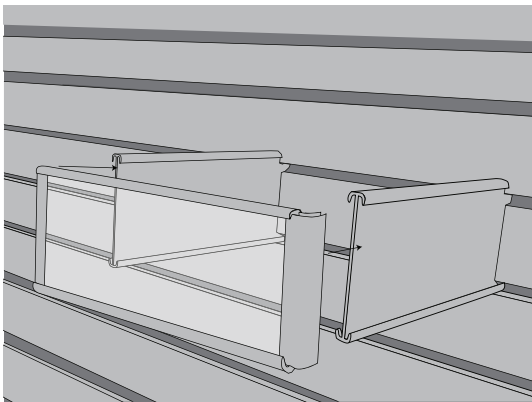
## Parts Included:

- 2 side panels
- 2 notched basket bottoms
  - 1 notched basket bottom front with mitered corners (for all baskets)
  - 1 notched basket bottom back (only for 8" deep baskets)
- 2 corner caps
- 1 transparent front panel



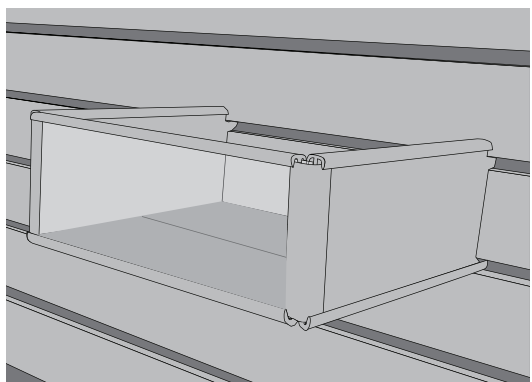
### Illustration A:

Insert side panels into Easy Wall. (Placement should be 10 inches apart for 10 inch basket and 20 inches apart for 20 inch basket)



### Illustration B:

Slide the corner caps on the transparent front panel; then slide the assembled front panel onto the side panels.



### Illustration C:

Drop the notched basket bottom front into place, over the lips of both side panels and the transparent front panel. For 8" deep baskets, add basket bottom back on side panels, notches down. Make sure that the notches fit into the channels of the side panels.