

NE59N6650SS

SAMSUNG

Samsung True Convection with Illuminated Knobs Freestanding Electric Range

5.9 cu. ft. Capacity



Signature Features

Blue Illuminated LED Knobs

- Visually lets you know if your cooktop is on from a distance.

Flexible Cooktop

- Accommodates multiple pan sizes on 5 specialized elements, including a dual and triple ring element.

True Convection

- Cook food faster and more evenly with a heated fan system that is great for baking and broiling.

Available Colors



Stainless Steel (shown)



Black Stainless Steel



Blue Illuminated LED Knobs



True Convection

Features

- Flexible Cooktop – Five Electric Elements
 - One Dual Elements (6"/9")
 - One Triple Elements (6"/9"/12")
 - Two Single Elements (6")
 - One Warming Center (7")
- Large Oven Capacity – 5.9 cu. ft.
- Steam Assist
- Express Boil (3600W Element)
- Touch Controls
- Wi-Fi Connectivity
- Wide View Window
- Hidden Bake Element
- Storage Drawer

Convenience

- Self & Steam Clean
- 3 Chrome Oven Racks
- Auto Oven Light
- Proofing
- Sabbath Mode
- Kitchen Timer
- Delay Start
- Auto Shut-Off Option
- Child Safety Lock

NE59N6650SS

SAMSUNG

Samsung True Convection with Illuminated Knobs Freestanding Electric Range

5.9 cu. ft. Capacity

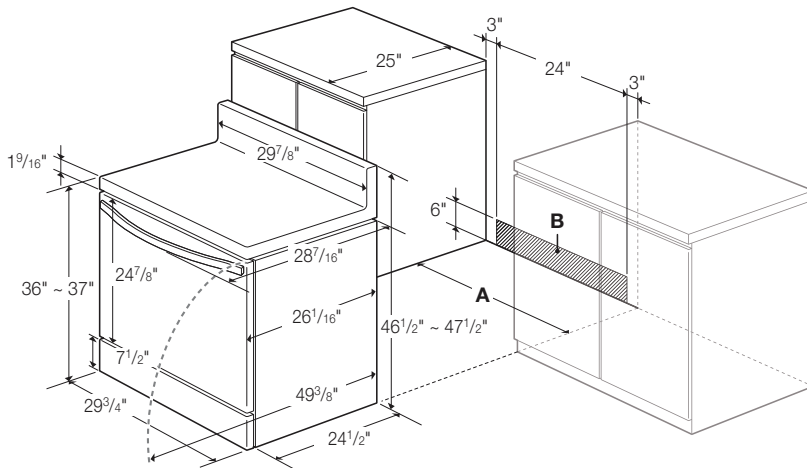
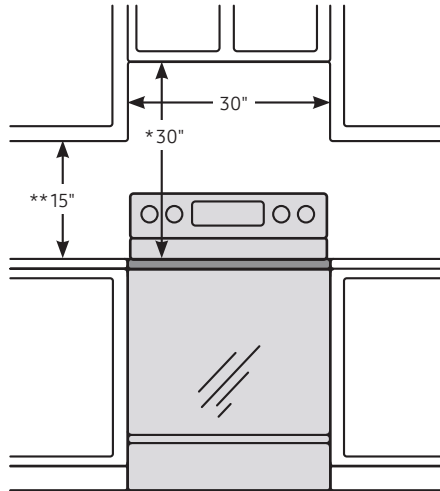
Installation Specifications

*30" minimum clearance between the top of the cooking surface and the bottom of an unprotected wood or metal cabinet; or If no 30" minimum clearance, 24" minimum when the bottom of the wood or metal cabinet is protected by not less than 0.25" flame-retardant millboard covered with not less than no. 28 MSG sheet steel, 0.015" stainless steel, 0.024" aluminum, or 0.020" copper.

**15" minimum between the countertop and the adjacent cabinet bottom.

IMPORTANT: To eliminate the risk of burns or fire caused by reaching over heated surface units, cabinet storage space located above the surface units should be avoided. If cabinet storage is to be provided, the risk can be reduced by installing a range hood that projects horizontally a minimum of 5" beyond the bottom of the cabinets.

A: Required Cabinet Opening is 30"
B: Acceptable Electrical Outlet Space



Electric Ceramic Cooktop

- Right Front: 6"/9"/12" Triple Element, 3000W
- Left Front: 6"/9" Dual Element, 3600W
- Right Rear: 6" Element, 1200W
- Left Rear: 6" Element, 1200W
- Center Rear: 7" Warming Center

Oven

- Capacity: 5.9 cu. ft.
- Hidden Bake Element
- Bake: 175°F–550°F
- Convection Bake: 175°F–550°F
- Convection Roast: 175°F–550°F
- Variable Broil: Low/High
- Proofing
- Sabbath Mode

Storage Drawer

Capacity: 1.4 cu. ft.

Power Source

240V/60 Hz/40A

Warranty

One (1) Year All Parts and Labor
Five (5) Years Electric Cooktop

Product Dimensions & Weight (WxHxD)

Actual Oven Dimensions: 25" x 18¹⁵/₁₆" x 20³/₄"

Outside Net Dimensions: 29⁷/₈" x 47¹/₈" x 26"

Weight: 167 lbs.

Shipping Dimensions & Weight (WxHxD)

Dimensions: 33¹/₁₆" x 50²/₅" x 30⁵/₁₆"

Weight: 191lbs.

Color

Stainless Steel

Model

NE59N6650SS

UPC Code

887276254227

Black Stainless Steel

NE59N6650SG

887276254210