



OPERATOR'S MANUAL
MANUEL D'UTILISATION
MANUAL DEL OPERADOR

18 VOLT BRUSHLESS IMPACT DRIVER
CLÉ À CHOCS DE 18 V SANS BALAI
DESTORNILLADOR DE IMPACTO DE 18 V SIN ESCOBILLAS

P238

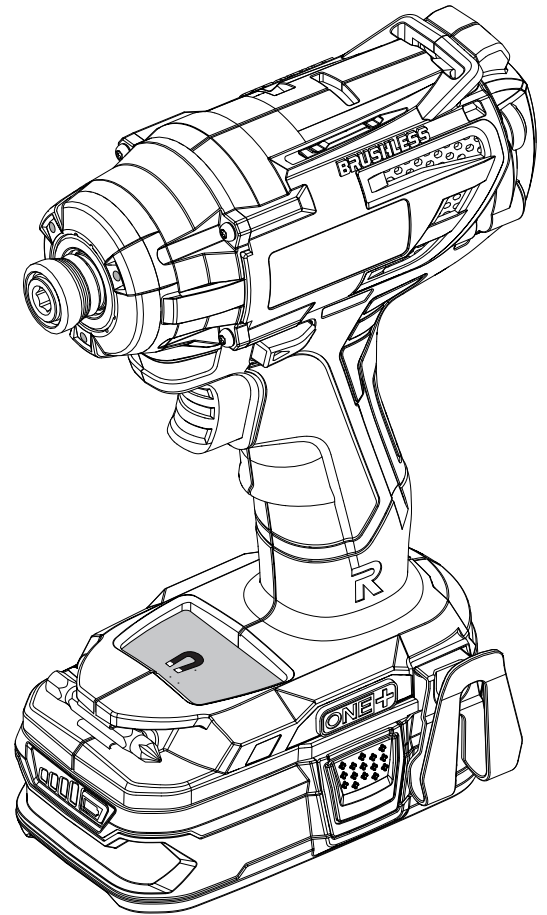


TABLE OF CONTENTS

- General Power Tool Safety Warnings..... 2-3
- Impact Driver Safety Warnings.....3
- Symbols.....4
- Features.....5
- Assembly.....5
- Operation..... 5-7
- Maintenance.....7
- Illustrations..... 8-9
- Parts Ordering and Service Back page

TABLE DES MATIÈRES

- Avertissements de sécurité générales relatives aux outils électriques..... 2-3
- Avertissements de sécurité relatifs clé à chocs.....3
- Symboles.....4
- Caractéristiques5
- Assemblage.....5
- Utilisation 5-7
- Entretien7
- Illustrations 8-9
- Commande de pièces et dépannage Page arrière

ÍNDICE DE CONTENIDO

- Advertencias de seguridad para herramientas eléctrica..... 2-3
- Advertencias de seguridad de destornillador de impacto.....3
- Símbolos4
- Características5
- Armado.....5
- Funcionamiento..... 5-7
- Mantenimiento.....7
- Ilustraciones 8-9
- Pedidos de piezas y servicio Pág. posterior

⚠ WARNING: To reduce the risk of injury, the user must read and understand the operator's manual before using this product.

⚠ AVERTISSEMENT : Pour réduire les risques de blessures, l'utilisateur doit lire et veiller à bien comprendre le manuel d'utilisation avant d'employer ce produit.

⚠ ADVERTENCIA: Para reducir el riesgo de lesiones, el usuario debe leer y comprender el manual del operador antes de usar este producto.

SAVE THIS MANUAL FOR FUTURE REFERENCE

CONSERVER CE MANUEL POUR FUTURE RÉFÉRENCE

GUARDE ESTE MANUAL PARA FUTURAS CONSULTAS

GENERAL POWER TOOL SAFETY WARNINGS



WARNING

Read all safety warnings, instructions, illustrations and specifications provided with this power tool. Failure to follow all instructions listed below may result in electric shock, fire and/or serious injury.

Save all warnings and instructions for future reference. The term “power tool” in the warnings refers to your mains-operated (corded) power tool or battery-operated (cordless) power tool.

WORK AREA SAFETY

- **Keep work area clean and well lit.** Cluttered or dark areas invite accidents.
- **Do not operate power tools in explosive atmospheres, such as in the presence of flammable liquids, gases or dust.** Power tools create sparks which may ignite the dust or fumes.
- **Keep children and bystanders away while operating a power tool.** Distractions can cause you to lose control.

ELECTRICAL SAFETY

- **Power tool plugs must match the outlet. Never modify the plug in any way. Do not use any adapter plugs with earthed (grounded) power tools.** Unmodified plugs and matching outlets will reduce risk of electric shock.
- **Avoid body contact with earthed or grounded surfaces, such as pipes, radiators, ranges and refrigerators.** There is an increased risk of electric shock if your body is earthed or grounded.
- **Do not expose power tools to rain or wet conditions.** Water entering a power tool will increase the risk of electric shock.
- **Do not abuse the cord. Never use the cord for carrying, pulling or unplugging the power tool. Keep cord away from heat, oil, sharp edges or moving parts.** Damaged or entangled cords increase the risk of electric shock.
- **When operating a power tool outdoors, use an extension cord suitable for outdoor use.** Use of a cord suitable for outdoor use reduces the risk of electric shock.
- **If operating a power tool in a damp location is unavoidable, use a ground fault circuit interrupter (GFCI) protected supply.** Use of a GFCI reduces the risk of electric shock.
- **Use battery only with charger listed.** For use with 18V lithium-ion battery packs, see tool/appliance/battery pack/charger correlation supplement 987000-432.

PERSONAL SAFETY

- **Stay alert, watch what you are doing and use common sense when operating a power tool. Do not use a power tool while you are tired or under the influence of drugs, alcohol or medication.** A moment of inattention while operating power tools may result in serious personal injury.
- **Use personal protective equipment. Always wear eye protection.** Protective equipment such as dust mask, non-skid safety shoes, hard hat, or hearing protection used for appropriate conditions will reduce personal injuries.

- **Prevent unintentional starting. Ensure the switch is in the off-position before connecting to power source and/or battery pack, picking up or carrying the tool.** Carrying power tools with your finger on the switch or energizing power tools that have the switch on invites accidents.
- **Remove any adjusting key or wrench before turning the power tool on.** A wrench or a key left attached to a rotating part of the power tool may result in personal injury.
- **Do not overreach. Keep proper footing and balance at all times.** This enables better control of the power tool in unexpected situations.
- **Dress properly. Do not wear loose clothing or jewelry. Keep your hair, clothing and gloves away from moving parts.** Loose clothes, jewelry or long hair can be caught in moving parts.
- **If devices are provided for the connection of dust extraction and collection facilities, ensure these are connected and properly used.** Use of dust collection can reduce dust-related hazards.
- **Do not let familiarity gained from frequent use of tools allow you to become complacent and ignore tool safety principles.** A careless action can cause severe injury within a fraction of a second.
- **Do not wear loose clothing or jewelry.** Contain long hair. Loose clothes, jewelry, or long hair can be drawn into air vents.
- **Do not use on a ladder or unstable support.** Stable footing on a solid surface enables better control of the power tool in unexpected situations.

POWER TOOL USE AND CARE

- **Do not force the power tool. Use the correct power tool for your application.** The correct power tool will do the job better and safer at the rate for which it was designed.
- **Do not use the power tool if the switch does not turn it on and off.** Any power tool that cannot be controlled with the switch is dangerous and must be repaired.
- **Disconnect the plug from the power source and/or remove the battery pack, if detachable, from the power tool before making any adjustments, changing accessories, or storing power tools.** Such preventive safety measures reduce the risk of starting the power tool accidentally.
- **Store idle power tools out of the reach of children and do not allow persons unfamiliar with the power tool or these instructions to operate the power tool.** Power tools are dangerous in the hands of untrained users.
- **Maintain power tools and accessories. Check for misalignment or binding of moving parts, breakage of parts and any other condition that may affect the power tool’s operation. If damaged, have the power tool repaired before use.** Many accidents are caused by poorly maintained power tools.
- **Keep cutting tools sharp and clean.** Properly maintained cutting tools with sharp cutting edges are less likely to bind and are easier to control.
- **Use the power tool, accessories and tool bits etc. in accordance with these instructions, taking into account the working conditions and the work to be**

GENERAL POWER TOOL SAFETY WARNINGS

performed. Use of the power tool for operations different from those intended could result in a hazardous situation.

- **Keep handles and grasping surfaces dry, clean and free from oil and grease.** Slippery handles and grasping surfaces do not allow for safe handling and control of the tool in unexpected situations.

BATTERY TOOL USE AND CARE

- **Recharge only with the charger specified by the manufacturer.** A charger that is suitable for one type of battery pack may create a risk of fire when used with another battery pack.
- **Use power tools only with specifically designated battery packs.** Use of any other battery packs may create a risk of injury and fire.
- **When battery pack is not in use, keep it away from other metal objects, like paper clips, coins, keys, nails, screws or other small metal objects, that can make a connection from one terminal to another.** Shorting the battery terminals together may cause burns or a fire.
- **Under abusive conditions, liquid may be ejected from the battery; avoid contact. If contact accidentally occurs, flush with water. If liquid contacts eyes,**

additionally seek medical help. Liquid ejected from the battery may cause irritation or burns.

- **Do not use a battery pack or tool that is damaged or modified.** Damaged or modified batteries may exhibit unpredictable behavior resulting in fire, explosion, or risk of injury.
- **Do not expose a battery pack or tool to fire or excessive temperature.** Exposure to fire or temperature above 265°F may cause explosion.
- **Follow all charging instructions and do not charge the battery pack or tool outside the temperature range specified in the instructions.** Charging improperly or at temperatures outside the specified range may damage the battery and increase the risk of fire.

SERVICE

- **Have your power tool serviced by a qualified repair person using only identical replacement parts.** This will ensure that the safety of the power tool is maintained.
- **Never service damaged battery packs.** Service of battery packs should only be performed by the manufacturer or authorized service provider.




IMPACT DRIVER SAFETY WARNINGS

- **Hold the power tool by insulated gripping surfaces, when performing an operation where the fastener may contact hidden wiring.** Fasteners contacting a “live” wire may make exposed metal parts of the power tool “live” and could give the operator an electric shock.
- **Wear ear protectors when impact drilling.** Exposure to noise can cause hearing loss.
- **Use auxiliary handle(s), if supplied with the tool.** Loss of control can cause personal injury.
- **Know your power tool. Read operator’s manual carefully. Learn its applications and limitations, as well as the specific potential hazards related to this power tool.** Following this rule will reduce the risk of electric shock, fire, or serious injury.
- **Always wear eye protection with side shields marked to comply with ANSI Z87.1 when assembling parts, operating the tool, or performing maintenance.** Following this rule will reduce the risk of serious personal injury.
- **Protect your lungs. Wear a face or dust mask if the operation is dusty.** Following this rule will reduce the risk of serious personal injury.
- **Protect your hearing. Wear hearing protection during extended periods of operation.** Following this rule will reduce the risk of serious personal injury.
- **Battery tools do not have to be plugged into an electrical outlet; therefore, they are always in operating condition. Be aware of possible hazards when not using your battery tool or when changing accessories.** Following this rule will reduce the risk of electric shock, fire, or serious personal injury.







- **Do not place battery tools or their batteries near fire or heat.** This will reduce the risk of explosion and possibly injury.
- **Do not crush, drop or damage battery pack. Do not use a battery pack or charger that has been dropped or received a sharp blow.** A damaged battery is subject to explosion. Properly dispose of a dropped or damaged battery immediately.
- **Batteries can explode in the presence of a source of ignition, such as a pilot light.** To reduce the risk of serious personal injury, never use any cordless product in the presence of open flame. An exploded battery can propel debris and chemicals. If exposed, flush with water immediately.
- **Do not charge battery tool in a damp or wet location. Do not use, store, or charge battery packs or products in locations where the temperature is less than 50°F or more than 100°F.** Do not store outside or in vehicles.
- **Under extreme usage or temperature conditions, battery leakage may occur. If liquid comes in contact with your skin, wash immediately with soap and water. If liquid gets into your eyes, flush them with clean water for at least 10 minutes, then seek immediate medical attention.** Following this rule will reduce the risk of serious personal injury.
- **Save these instructions.** Refer to them frequently and use them to instruct others who may use this tool. If you loan someone this tool, loan them these instructions also.

SYMBOLS

The following signal words and meanings are intended to explain the levels of risk associated with this product.

SYMBOL	SIGNAL	MEANING
	DANGER:	Indicates a hazardous situation, which, if not avoided, will result in death or serious injury.
	WARNING:	Indicates a hazardous situation, which, if not avoided, could result in death or serious injury.
	CAUTION:	Indicates a hazardous situation, that, if not avoided, may result in minor or moderate injury.
	NOTICE:	(Without Safety Alert Symbol) Indicates information considered important, but not related to a potential injury (e.g. messages relating to property damage).

Some of the following symbols may be used on this product. Please study them and learn their meaning. Proper interpretation of these symbols will allow you to operate the product better and safer.

SYMBOL	NAME	DESIGNATION/EXPLANATION
	Safety Alert	Indicates a potential personal injury hazard.
	Read Operator's Manual	To reduce the risk of injury, user must read and understand operator's manual before using this product.
	Eye Protection	Always wear eye protection with side shields marked to comply with ANSI Z87.1.
	Wet Conditions Alert	Do not expose to rain or use in damp locations.
	Hot Surface	To reduce the risk of injury or damage, avoid contact with any hot surface.
	Recycle Symbols	This product uses lithium-ion (Li-ion) batteries. Local, state or federal laws may prohibit disposal of batteries in ordinary trash. Consult your local waste authority for information regarding available recycling and/or disposal options.
V	Volts	Voltage
min	Minutes	Time
==	Direct Current	Type or a characteristic of current
n_0	No Load Speed	Rotational speed, at no load
.../min	Per Minute	Revolutions, strokes, surface speed, orbits etc., per minute

FEATURES

PRODUCT SPECIFICATIONS

Coupler/Chuck 1/4 in. Impacts Per Minute 4,000 IPM

SPEED/TORQUE

1 - LOW 0–1,050 RPM/600 in.lb
2 - MEDIUM..... 0–2,200 RPM/1,300 in.lb
3 - HIGH..... 0–3,200 RPM/2,200 in.lb

ASSEMBLY

WARNING:

Do not use this product if it is not completely assembled or if any parts appear to be missing or damaged. Use of a product that is not properly and completely assembled or with damaged or missing parts could result in serious personal injury.

WARNING:

Do not attempt to modify this product or create accessories or attachments not recommended for use with this product. Any such alteration or modification is misuse and could result in a hazardous condition leading to possible serious personal injury.

If any parts are damaged or missing, please call 1-800-525-2579 for assistance.

OPERATION

WARNING:

Do not allow familiarity with this product to make you careless. Remember that a careless fraction of a second is sufficient to inflict serious injury.

WARNING:

Do not use any attachments or accessories not recommended by the manufacturer of this product. The use of attachments or accessories not recommended can result in serious personal injury.

WARNING:

Always remove battery pack from the tool when you are assembling parts, making adjustments, cleaning, or when not in use. Removing battery pack will prevent accidental starting that could cause serious personal injury.

APPLICATIONS

You may use this product for the purposes listed below:

- Driving long deck screws, driving carriage bolts into deck posts; driving Tapcon® screws into block walls and concrete; driving screws into metal studs

WARNING:

Always wear eye protection with side shields marked to comply with ANSI Z87.1, along with hearing protection. Failure to do so could result in objects being thrown into your eyes and other possible serious injuries.

VARIABLE SPEED SWITCH TRIGGER

See Figure 1, page 8.

The variable speed switch trigger delivers higher speed with increased trigger pressure and lower speed with decreased trigger pressure.

OPERATION

To turn the tool ON, depress the switch trigger. To turn it OFF, release the switch trigger and allow the tool to come to a complete stop.

DIRECTION OF ROTATION SELECTOR (FORWARD/REVERSE/CENTER LOCK)

See Figure 1, page 8.

Set the direction of rotation selector in the OFF (center lock) position to lock the switch trigger and help prevent accidental starting when not in use.

Position the direction of rotation selector to the left of the switch trigger for forward operation. Position the selector to the right of the switch trigger to reverse the direction.

NOTE: The tool will not run unless the direction of rotation selector is pushed fully to the left or right.

NOTICE:

To prevent gear damage, always allow the chuck to come to a complete stop before changing the direction of rotation.

WARNING:

Battery tools are always in operating condition. Lock the switch when not in use or carrying at your side, when installing or removing the battery pack, and when installing or removing bits.

INSTALLING/REMOVING BELT CLIP

See Figure 2, page 8.

The belt clip may be installed on either side of the housing.

- Align the hole in the belt clip with the hole in the housing.
- Install the screw to secure the belt clip in place.
- To uninstall, remove the screw, then remove the belt clip.

INSTALLING/REMOVING BATTERY PACK

See Figure 3, page 8.

- Lock the switch trigger.
- Insert the battery pack into the product as shown.
- Make sure the latches on each side of the battery pack snap into place and that battery pack is secured in the product before beginning operation.
- Depress the latches to remove the battery pack.

For complete charging instructions, see the operator's manuals for your battery pack and charger.

INSTALLING/REMOVING BITS

See Figure 4, page 9.

The Auto-Load chuck provides fast, easy one-handed bit loading and ejecting.

The coupler has been designed to accept 1/4 in. hex bits.

To install:

- Lock the switch trigger.
- Remove the battery pack.
- Push the bit into the coupler until it clicks into place.
- Pull on the bit to make sure it is secured in the coupler. There may be some play in the installed bit; this is normal.

NOTE: Use only impact quality bits with a locking groove.

WARNING:

Make sure the bit is secured in the coupler before using the impact driver. Failure to do so could cause serious personal injury.

CAUTION:

The metal surface may become hot during use. Avoid contact with it to avoid possible burn injury.

To remove:

- Lock the switch trigger.
- Remove the battery pack.
- With the nose of the tool pointed away from you, pull the coupler away from the driver.
- The bit will eject from the coupler.

SPEED/TORQUE SELECTOR

See Figure 5, page 9.

The speed and torque of the impact driver can be changed for various applications.

- LOW (1) Speed/Torque
- MEDIUM (2) Speed/Torque
- HIGH (3) Speed/Torque

OPERATION

DRIVING OR REMOVING SCREWS

See Figures 6 - 7, page 9.

WARNING:

Do not drive a screw where there is likely to be hidden wiring behind the surface. Contact with a “live” wire will make exposed metal parts of the tool “live” and shock the operator. If you must drive a screw where hidden wire could be present, always hold tool by insulated gripping surfaces (handle) when performing the operation to prevent a shock to the operator.

NOTICE:

The impact driver is not designed to be used as a drill.

- Place the direction of rotation selector in the correct position for operation.
- Hold the impact driver with one hand.
- Place the bit on the screw head and slowly depress the switch trigger. Start the bit slowly for more control.
NOTE: The Tri-Beam LED will illuminate as the trigger is depressed.
- As the screw is driven, impacting will begin.

MAINTENANCE

WARNING:

When servicing, use only identical replacement parts. Use of any other part could create a hazard or cause product damage.

GENERAL MAINTENANCE

Avoid using solvents when cleaning plastic parts. Most plastics are susceptible to damage from various types of commercial solvents and can be damaged by their use. Use clean cloths to remove dirt, dust, oil, grease, etc.

NOTE: ILLUSTRATIONS BEGIN ON PAGE 8 AFTER FRENCH AND SPANISH LANGUAGE SECTIONS.

AVERTISSEMENTS DE SÉCURITÉ GÉNÉRALES RELATIVES AUX OUTILS ÉLECTRIQUES

AVERTISSEMENT

Lire les avertissements de sécurité, les instructions et les précisions et consulter les illustrations fournis avec cet outil électrique. Le fait de ne pas se conformer à l'ensemble des consignes présentées ci-dessous risque d'entraîner des décharges électriques, un incendie et/ou des blessures graves.

Conservier les avertissements et les instructions à des fins de référence ultérieure. Le terme « outil motorisé », utilisé dans tous les avertissements ci-dessous désigne tout outil fonctionnant sur secteur (câblé) ou sur piles (sans fil).

SÉCURITÉ DU LIEU DE TRAVAIL

- **Garder le lieu de travail propre et bien éclairé.** Les endroits encombrés ou sombres sont propices aux accidents.
- **Ne pas utiliser d'outils électriques dans des atmosphères explosives, par exemple en présence de liquides, gaz ou poussières inflammables.** Les outils électriques produisent des étincelles risquant d'enflammer les poussières ou vapeurs.
- **Garder les enfants et badauds à l'écart pendant l'utilisation d'un outil électrique.** Les distractions peuvent causer une perte de contrôle.

SÉCURITÉ ÉLECTRIQUE

- **Les fiches des outils électriques doivent correspondre à la prise secteur utilisée. Ne jamais modifier la fiche, de quelque façon que ce soit. Ne jamais utiliser d'adaptateurs de fiche avec des outils mis à la terre.** Les fiches et prises non modifiées réduisent le risque de choc électrique.
- **Éviter tout contact du corps avec des surfaces mises à la terre, telles que tuyaux, radiateurs, cuisinières et réfrigérateurs.** Le risque de choc électrique est accru lorsque le corps est mis à la terre.
- **Ne pas exposer les outils électriques à l'eau ou l'humidité.** La pénétration d'eau dans ces outils accroît le risque de choc électrique.
- **Ne pas maltraiter le cordon d'alimentation. Ne jamais utiliser le cordon d'alimentation pour transporter l'outil et ne jamais débrancher ce dernier en tirant sur le cordon. Garder le cordon à l'écart de la chaleur, de l'huile, des objets tranchants et des pièces en mouvement.** Un cordon endommagé ou emmêlé accroît le risque de choc électrique.
- **Pour les travaux à l'extérieur, utiliser un cordon spécialement conçu à cet effet.** Utiliser un cordon conçu pour l'usage extérieur pour réduire les risques de choc électrique.
- **S'il est nécessaire d'utiliser l'outil électrique dans un endroit humide, employer un dispositif interrupteur de défaut à la terre (GFCI).** L'utilisation d'un GFCI réduit le risque de décharge électrique.
- **Ne recharger les piles qu'avec l'appareil indiqué.** Pour utiliser l'appareil avec des piles au nickel-cadmium et au lithium-ion de 18 V, consulter le supplément de raccordement pour chargeur/outils/piles/appareil n° 987000-432.

SÉCURITÉ PERSONNELLE

- **Rester attentif, prêter attention au travail et faire preuve de bon sens lors de l'utilisation de tout outil électrique. Ne pas utiliser cet outil en état de fatigue ou sous l'influence de l'alcool, de drogues ou de médicaments.** Un moment d'inattention pendant l'utilisation d'un outil électrique peut entraîner des blessures graves.
- **Utiliser l'équipement de sécurité. Toujours porter une protection oculaire.** L'équipement de sécurité, tel qu'un

masque filtrant, de chaussures de sécurité, d'un casque ou d'une protection auditive, utilisé dans des conditions appropriées réduira le risque de blessures.

- **Éviter les démarrages accidentels. S'assurer que le commutateur est en position d'arrêt avant de brancher l'outil.** Porter un outil avec le doigt sur son commutateur ou brancher un outil dont le commutateur est en position de marche peut causer un accident.
- **Retirer les clés de réglage avant de mettre l'outil en marche.** Une clé laissée sur une pièce rotative de l'outil peut causer des blessures.
- **Ne pas travailler hors de portée. Toujours se tenir bien campé et en équilibre.** Ceci permettra de mieux contrôler l'outil en cas de situation imprévue.
- **Porter une tenue appropriée. Ne porter ni vêtements amples, ni bijoux. Garder les cheveux, les vêtements et les gants à l'écart des pièces en mouvement.** Les vêtements amples, bijoux et cheveux longs peuvent se prendre dans les pièces en mouvement.
- **Si les outils sont équipés de dispositifs de dépoussiérage, s'assurer qu'ils sont connectés et correctement utilisés.** L'usage de ces dispositifs de dépoussiérage peut réduire les dangers présentés par la poussière.
- **Malgré votre expérience acquise par l'utilisation fréquente des outils, soyez toujours vigilant et respectez les principes de sécurité relatifs aux outils.** Il s'agit d'une fraction de seconde pour qu'un geste irréfléchi puisse causer de graves blessures.
- **Ne porter ni vêtements amples, ni bijoux. Attacher ou couvrir les cheveux longs.** Les vêtements amples, bijoux et cheveux longs peuvent se prendre dans les ouïes d'aération.
- **Ne pas utiliser l'outil sur une échelle ou un support instable.** Une bonne tenue et un bon équilibre permettent de mieux contrôler l'outil en cas de situation imprévue.

UTILISATION ET ENTRETIEN DES OUTILS ÉLECTRIQUES

- **Ne pas forcer l'outil. Utiliser l'outil approprié pour l'application.** Un outil approprié exécutera le travail mieux et de façon moins dangereuse s'il est utilisé dans les limites prévues.
- **Ne pas utiliser l'outil si le commutateur ne permet pas de le mettre en marche ou de l'arrêter.** Tout outil qui ne peut pas être contrôlé par son commutateur est dangereux et doit être réparé.
- **Débrancher l'outil et/ou retirer le bloc-piles avant d'effectuer des réglages, de changer d'accessoire ou de remiser l'outil.** Ces mesures de sécurité préventives réduisent les risques de démarrage accidentel de l'outil.
- **Ranger les outils motorisés hors de la portée des enfants et ne laisser personne n'étant pas familiarisé avec l'outil ou ces instructions utiliser l'outil.** Dans les mains de personnes n'ayant pas reçu des instructions adéquates, les outils sont dangereux.
- **Entretenir les outils motorisés. Vérifier qu'aucune pièce mobile n'est mal alignée ou bloquée, qu'aucune pièce n'est brisée et s'assurer qu'aucun autre problème ne risque d'affecter le bon fonctionnement de l'outil. En cas de dommages faire réparer l'outil avant de l'utiliser de nouveau.** Beaucoup d'accidents sont causés par des outils mal entretenus.
- **Garder les outils bien affûtés et propres.** Des outils correctement entretenus et dont les tranchants sont bien affûtés risquent moins de se bloquer et sont plus faciles à contrôler.
- **Utiliser l'outil, les accessoires et embouts, etc. conformément à ces instructions pour les applications pour lesquelles ils sont conçus, en tenant compte des conditions et du type de travail à exécuter.** L'usage d'un outil motorisé pour des applications pour lesquelles il n'est pas conçu peut être dangereux.

AVERTISSEMENTS DE SÉCURITÉ GÉNÉRALES RELATIVES AUX OUTILS ÉLECTRIQUES

- **Gardez les poignées et les surfaces de prise sèches, propres et exemptes d'huile et de graisse.** Des poignées et des surfaces de prise glissantes empêchent la manipulation et le contrôle sécuritaires de l'outil dans des circonstances imprévues.

UTILISATION ET ENTRETIEN DE LA PILE

- **Ne recharger qu'avec l'appareil spécifié par le fabricant.** Un chargeur approprié pour un type de pile peut créer un risque d'incendie s'il est utilisé avec un autre type de pile.
- **Utiliser exclusivement le bloc-pile spécifiquement indiqué pour l'outil.** L'usage de tout autre bloc peut créer un risque de blessures et d'incendie.
- **Lorsque le bloc-piles n'est pas en usage, le garder à l'écart d'articles tels qu'attaches trombones, pièces de monnaie, clous, vis ou autres petits objets métalliques risquant d'établir le contact entre les deux bornes.** La mise en court-circuit des bornes de piles peut causer des étincelles, des brûlures ou un incendie.
- **En cas d'usage abusif, du liquide peut s'échapper des piles. Éviter tout contact avec ce liquide. En cas de contact accidentel, rincer immédiatement les parties atteintes avec de l'eau. En cas d'éclaboussure dans les yeux consulter un médecin.** Le liquide s'échappant des piles peut causer des irritations ou des brûlures.

- **Ne pas utiliser un bloc-piles ou un outil endommagé ou modifié.** Les piles endommagées ou modifiées peuvent produire un comportement imprévisible pouvant provoquer un incendie, une explosion ou des blessures.
- **Ne pas exposer le bloc-piles ou l'outil près d'un incendie ou à une température extrême.** L'exposition à un incendie ou à une température supérieure à 130 °C (265 °F) représente un risque d'explosion.
- **Suivre toutes les instructions afférentes à la recharge et ne pas recharger le bloc-piles ou l'outil hors des températures spécifiées dans les instructions.** Une recharge incorrecte ou hors des températures spécifiées peut endommager la pile et augmenter les risques de feu.

DÉPANNAGE

- **Les réparations doivent être confiées à un technicien qualifié, utilisant exclusivement des pièces identiques à celles d'origine.** Ceci assurera le maintien de la sécurité de l'outil.
- **Ne réparez jamais de blocs-piles endommagés.** Seuls le fabricant et les fournisseurs de service autorisés doivent effectuer la réparation ou l'entretien des blocs-piles.




AVERTISSEMENTS DE SÉCURITÉ RELATIFS CLÉ À CHOCS

- **Tenir l'outil électrique par ses surfaces de préhension isolées lors des opérations pendant lesquelles le dispositif de fixation peut entrer en contact avec du câblage caché.** Le contact d'un dispositif de fixation avec un fil sous tension « électrifie » les pièces métalliques exposées de l'outil et peut électrocuter l'utilisateur.
- **Porter des protecteurs d'oreilles avec les perceuses à percussion.** L'exposition au bruit peut entraîner une perte auditive.
- **Utiliser les poignées auxiliaires, si elles sont fournies avec l'outil.** La perte de contrôle peut causer des blessures.
- **Apprendre à connaître l'outil. Lire attentivement le manuel d'utilisation. Apprendre les applications et les limites de l'outil, ainsi que les risques spécifiques relatifs à son utilisation.** Le respect de cette consigne réduira les risques d'incendie, de choc électrique et de blessures graves.
- **Toujours porter une protection oculaire munie d'écrans latéraux certifiée conforme à la norme ANSI Z87.1 lors du montage des pièces, du fonctionnement de l'outil ou au moment de l'entretien.** Le respect de cette règle réduira les risques de blessures graves.
- **Protection respiratoire. Porter un masque facial ou un masque antipoussière si le travail produit de la poussière.** Le respect de cette consigne réduira les risques de blessures graves.
- **Protection auditive. Porter une protection auditive lors de l'utilisation prolongée.** Le respect de cette règle réduira les risques de blessures graves.
- **Les outils fonctionnant sur piles n'ayant pas besoin d'être branchés sur une prise secteur, ils sont toujours en état de fonctionnement. Tenir compte des dangers possibles lorsque l'outil n'est pas en usage et lors du remplacement des piles.** Le respect de cette consigne réduira les risques d'incendie, de choc électrique et de blessures graves.







- **Ne pas placer les outils électriques sans fil ou leurs piles à proximité de flammes ou d'une source de chaleur.** Ceci réduira les risques d'explosion et de blessures.
- **Ne pas écraser, faire tomber ou endommager le bloc-piles. Ne jamais utiliser un bloc-piles ou un chargeur qui est tombé, a été écrasé, a reçu un choc violent ou a été endommagé de quelque façon que ce soit.** Une pile endommagée risque d'exploser. Éliminer immédiatement toute pile endommagée, selon une méthode appropriée.
- **Les piles peuvent exploser en présence d'une source d'allumage, telle qu'une veilleuse.** Pour réduire les risques de blessures graves, ne jamais utiliser un appareil sans fil, quel qu'il soit, en présence d'une flamme vive. En explosant, une pile peut projeter des débris et des produits chimiques. En cas d'exposition, rincer immédiatement les parties atteintes avec de l'eau.
- **Ne pas recharger un outil fonctionnant sur piles dans un endroit humide ou mouillé. Ne pas utiliser, remiser ou charger le bloc-piles ou produits dans des emplacements où la température est inférieure 10 °C (50 °F) à ou supérieure à 38 °C (100 °F). Ne pas ranger l'outil à l'extérieur ou dans un véhicule.**
- **Si l'outil est utilisé de façon intensive ou sous des températures extrêmes, des fuites de pile peuvent se produire. En cas de contact du liquide avec la peau, rincer immédiatement la partie atteinte avec de l'eau. En cas d'éclaboussure dans les yeux, les rincer à l'eau fraîche pendant au moins 10 minutes, puis contacter immédiatement un médecin.** Le respect de cette règle réduira les risques de blessures graves.
- **Conserver ces instructions.** Les consulter fréquemment et les utiliser pour instruire les autres utilisateurs éventuels. Si cet outil est prêté, il doit être accompagné de ces instructions.

SYMBOLES

Les termes de mise en garde suivants et leur signification ont pour but d'expliquer le degré de risques associé à l'utilisation de ce produit.

SYMBOLE	SIGNAL	SIGNIFICATION
	DANGER :	Indique une situation dangereuse qui, si elle n'est pas évitée, aura pour conséquences des blessures graves ou mortelles.
	AVERTISSEMENT :	Indique une situation dangereuse qui, si elle n'est pas évitée, pourrait entraîner des blessures graves ou mortelles.
	ATTENTION :	Indique une situation dangereuse qui, si elle n'est pas évitée, pourrait entraîner des blessures légères ou de gravité modérée.
	AVIS :	(Sans symbole d'alerte de sécurité) Indique les informations jugées importantes sans toutefois représenter un risque de blessure (ex. : messages concernant les dommages matériels).

Certains des symboles ci-dessous peuvent être utilisés sur produit. Veiller à les étudier et à apprendre leur signification. Une interprétation correcte de ces symboles permettra d'utiliser produit plus efficacement et de réduire les risques.

SYMBOLE	NOM	DÉSIGNATION / EXPLICATION
	Symbole d'alerte de sécurité	Indique un risque de blessure potentiel.
	Lire manuel d'utilisation	Pour réduire les risques de blessures, l'utilisateur doit lire et veiller à bien comprendre le manuel d'utilisation avant d'utiliser ce produit.
	Protection oculaire	Toujours porter une protection oculaire avec écrans latéraux certifiée conforme à la norme ANSI Z87.1.
	Avertissement concernant l'humidité	Ne pas exposer à la pluie ou l'humidité.
	Surface brûlante	Pour éviter les risques de blessures ou de dommages, éviter tout contact avec les surfaces brûlantes.
	Symboles de recyclage	Ce produit utilise les piles de lithium-ion (Li-ion). Les réglementations locales ou gouvernementales peuvent interdire de jeter les piles dans les ordures ménagères. Consulter les autorités locales compétentes pour les options de recyclage et/ou l'élimination.
V	Volts	Tension
min	Minutes	Temps
≡	Courant continu	Type ou caractéristique du courant
n_0	Vitesse à vide	Vitesse de rotation à vide
.../min	Par minute	Tours, coups, vitesse périphérique, orbites, etc., par minute

CARACTÉRISTIQUES

FICHE TECHNIQUE

Coupleur..... 6,35 mm (1/4 po) Vitesse d'impact..... 4 000 IPM

VITESSE/COUPLE

- 1 - BASSE..... 0–1 050 RPM / 67,8 Nm (600 po-lb)
- 2 - MOYEN 0–2 200 RPM / 146,9 Nm (1 300 po-lb)
- 3 - RAPIDE..... 0–3 200 RPM / 248,6 Nm (2 200 po-lb)

ASSEMBLAGE

AVERTISSEMENT :

Ne pas utiliser le produit s'il n'est pas complètement assemblé ou si des pièces semblent manquantes ou endommagées. L'utilisation d'un produit dont l'assemblage est incorrect ou incomplet ou comportant des pièces endommagées ou absentes représente un risque de blessures graves.

AVERTISSEMENT :

Ne pas essayer de modifier cet outil ou de créer des pièces et accessoires non recommandés. De telles altérations ou modifications sont considérées comme un usage abusif et peuvent créer des conditions dangereuses, risquant d'entraîner des blessures graves.

Si des pièces manquent ou sont endommagées, veuillez appeler au 1-800-525-2579 pour obtenir de l'aide.

UTILISATION

AVERTISSEMENT :

Ne pas laisser la familiarité avec l'outil faire oublier la prudence. Ne pas oublier qu'une fraction de seconde d'inattention peut entraîner des blessures graves.

AVERTISSEMENT :

Toujours retirer la bloc-pile de l'outil au moment d'assembler des pièces, d'effectuer des réglages et de procéder au nettoyage, ou lorsque l'outil n'est pas utilisé. Si cette précaution n'est pas prise, des objets peuvent être projetés dans les yeux et causer des lésions graves.

AVERTISSEMENT :

Toujours porter une protection oculaire avec écrans latéraux certifiée conforme à la norme ANSI Z87.1. Si une opération dégage de la poussière, porter également un masque anti-poussière.

AVERTISSEMENT :

Ne pas utiliser d'outils ou accessoires non recommandés par le fabricant pour cet outil. L'utilisation de pièces et accessoires non recommandés peut entraîner des blessures graves.

APPLICATIONS

Cet produit peut être utilisé pour les applications ci-dessous :

- Enfoncement de vis longues pour la construction d'une terrasse en bois; enfoncement de boulons traversant dans les montants de la terrasse; enfoncement de vis Tapcon® dans les parpaings et le béton; vissage dans les montants métalliques

GÂCHETTE À VARIATION DE VITESSE

Voir la figure 1, page 8.

La gâchette avec variation de vitesse procurera des vitesses plus élevées si une pression accrue est exercée et des vitesses moins élevées dans le cas d'une pression réduite.

UTILISATION

Pour mettre l'outil EN MARCHÉ, appuyer sur la gâchette. Pour ÉTEINDRE l'outil relâcher la gâchette et laisser le mandrin parvenir à l'arrêt complet.

SÉLECTEUR DE SENS DE ROTATION (AVANT/ARRIÈRE/POSITION CENTRALE VERROUILLÉE)

Voir la figure 1, page 8.

Régler le sélecteur de sens de rotation à la position OFF (position centrale verrouillée) pour verrouiller la gâchette pour réduire la possibilité d'un démarrage accidentel lorsque l'appareil n'est pas utilisé.

Positionner le sélecteur de sens de rotation du côté gauche de la gâchette pour faire fonctionner vers l'avant. Positionner le sélecteur de sens de rotation du côté droit de la gâchette pour inverser le sens de rotation.

NOTE : L'outil ne peut fonctionner que si le sélecteur de sens de rotation est poussé à fond vers la droite ou la gauche.

AVIS :

Pour éviter des dommages aux engrenages, toujours laisser le mandrin parvenir à l'arrêt complet avant de changer de sens de rotation.



AVERTISSEMENT :

Les outils à piles sont toujours en état de fonctionnement. Verrouiller la gâchette lorsque l'outil n'est pas utilisé ou pour le transporter le long du corps, pour insérer ou retirer le bloc-piles et lors de l'installation ou du retrait des forets.

INSTALLATION ET RETRAIT DU PINCE DE CEINTURE

Voir la figure 2, page 8.

Le pince de ceinture peut être fixé d'un côté ou l'autre de l'outil.

- Aligner le trou du pince de ceinture avec le trou du logement.
- Installer le vis pour fixer solidement le pince de ceinture.
- Pour retirer, dévisser le vis et retire le pince de ceinture.

INSTALLATION/RETRAIT DU BLOC-PILES

Voir la figure 3, page 8.

- Verrouiller la gâchette.
- Insérer la pile dans l'outil comme illustré.
- S'assurer que les loquets de chaque côté de la pile s'enclenchent en place et que la pile est bien fixée à l'outil avant de mettre l'outil en marche.

- Relâcher les loquets pour retirer le bloc-piles.

Pour prendre connaissance des consignes de chargement, consulter le manuel d'utilisation des piles et des chargeurs.

INSTALLATION/RETRAIT DES EMBOUTS

Voir la figure 4, page 9.

Mandrin à serrage automatique pour insérer et éjecter facilement et rapidement l'embout à l'aide d'une seule main.

Le coupleur est conçu pour l'insertion d'embouts hexagonaux de 1/4 po.

Installation :

- Verrouiller la gâchette.
- Retirer le bloc-pile.
- Enfoncer l'embout dans le coupleur jusqu'à ce qu'il s'enclenche en place.
- Tirer sur l'embout pour vérifier qu'il est bien maintenu dans le coupleur. L'embout installé peut présenter un peu de jeu. Ceci est normal.

NOTE : N'utiliser que des embouts pour clé à chocs dotés d'une rainure de verrouillage.



AVERTISSEMENT :

S'assurer que l'embout est solidement maintenu dans le coupleur avant d'utiliser la tournevis à percussion. Ne pas prendre cette précaution peut entraîner des risques de blessures graves.



ATTENTION :

Les parties métalliques de l'outil peuvent chauffer pendant l'utilisation. Éviter d'y toucher pour éviter les risques des brûlures.

Retrait :

- Verrouiller la gâchette.
- Retirer le bloc-pile.
- La tête de l'outil étant dirigée à l'écart de soi, tirer le coupleur vers l'extérieur de la clé à chocs.
- L'embout sera éjecté du coupleur.

SÉLECTEUR DE VITESSE/COUPLE

Voir la figure 5, page 9.

La vitesse et le couple de la clé à chocs peuvent être modifiés pour effectuer divers travaux.

- BASSE (1) vitesse/couple
- MOYEN (2) vitesse/couple
- RAPIDE (3) vitesse/couple

UTILISATION

VISSAGE ET DÉVISSAGE

Voir les figures 6 et 7, page 9.

AVERTISSEMENT :

Ne pas enfoncer de vis dans des surfaces pouvant dissimuler des fils électriques. En cas de contact avec un fil sous tension, les parties métalliques de l'outil seraient mises sous tension et l'opérateur subirait un choc électrique. Si vous devez enfoncer une vis dans un endroit où des fils électriques cachés peuvent être présents, tenir l'outil par les surfaces de prise isolées pour éviter un choc électrique.

AVIS :

La clé à choc n'est pas conçue pour être utilisée comme une perceuse.

- Appuyer sur le sélecteur de sens de rotation dans le sens désiré.
- Tenir la tournevis à percussion d'une main.
- Placer l'embout sur la tête de la vis et appuyer lentement sur la gâchette. Nous recommandons de commencer avec une rotation lente pour un meilleur contrôle.

NOTE: Les 3 faisceaux d'ampoules à DEL s'allument quand la gâchette est enfoncée.

- La vis commence à s'enfoncer sous l'effet des chocs.

ENTRETIEN

AVERTISSEMENT :

Utiliser exclusivement des pièces d'origine pour les réparations. L'usage de toute autre pièce pourrait créer une situation dangereuse ou endommager l'produit.

ENTRETIEN GÉNÉRAL

Éviter d'utiliser des solvants pour le nettoyage des pièces en plastique. La plupart des matières plastiques peuvent être endommagées par divers types de solvants du commerce. Utiliser un chiffon propre pour éliminer la saleté, la poussière, l'huile, la graisse, etc.

**NOTE : ILLUSTRATIONS COMMENÇANT SUR
8 DE PAGE APRÈS LE SECTION ESPAGNOL.**

ADVERTENCIAS DE SEGURIDAD PARA HERRAMIENTAS ELÉCTRICAS

ADVERTENCIA:

Lea todas las advertencias, instrucciones, ilustraciones y especificaciones proporcionadas con esta herramienta eléctrica. No seguir las instrucciones indicadas a continuación puede provocar descargas eléctricas, incendios o lesiones graves.

Guarde todas las advertencias e instrucciones para consultarlas en el futuro. El término “herramienta eléctrica” en las advertencias se refiere a las herramientas eléctricas que funcionan con corriente (con cordón) o las que funcionan con batería (inalámbricas).

ÁREA DE TRABAJO

- **Mantenga limpia y bien iluminada el área de trabajo.** Un área de trabajo mal despejada o mal iluminada propicia accidentes.
- **No utilice herramientas motorizadas en atmósferas explosivas, como las existentes alrededor de líquidos, gases y polvos inflamables.** Las herramientas eléctricas generan chispas que pueden encender el polvo y los vapores inflamables.
- **Mantenga alejados a los niños y circunstantes al maniobrar una herramienta eléctrica.** Toda distracción puede causar la pérdida del control de la herramienta.

SEGURIDAD ELÉCTRICA

- **Las clavijas de las herramientas eléctricas deben corresponder a las tomas de corriente donde se conectan. Nunca modifique la clavija de ninguna forma. No utilice ninguna clavija adaptadora con herramientas eléctricas dotadas de contacto a tierra.** Conectando las clavijas originales en las tomas de corriente donde corresponden se disminuye el riesgo de una descarga eléctrica.
- **Evite el contacto del cuerpo con las superficies de objetos conectados a tierra, como las tuberías, radiadores, estufas y refrigeradores.** Existe un mayor riesgo de descargas eléctricas si el cuerpo está haciendo tierra.
- **No exponga las herramientas eléctricas a la lluvia ni a condiciones de humedad.** La introducción de agua en una herramienta eléctrica aumenta el riesgo de descargas eléctricas.
- **No maltrate el cordón eléctrico. Nunca utilice el cordón para trasladar, desconectar o tirar de la herramienta eléctrica. Mantenga el cordón lejos del calor, aceite, bordes afilados y piezas móviles.** Los cordones eléctricos dañados o enredados aumentan el riesgo de descargas eléctricas.
- **Al utilizar una herramienta eléctrica a la intemperie, use un cordón de extensión apropiado para el exterior.** Usando un cordón adecuado para el exterior se disminuye el riesgo de descargas eléctricas.
- **Si debe operar una herramienta en lugares húmedos, use un suministro protegido por un interruptor de circuito con pérdida a tierra (GFCI).** El uso de un GFCI reduce el riesgo de descargas eléctricas.
- **Cargue las baterías solamente con el cargador indicado.** Para utilizar con paquetes de baterías de níquel-cadmio de 18 V o de iones de litio de 18 V, consulte el folleto de la herramienta/aparato/paquete de baterías/cargador complementario 987000-432.

SEGURIDAD PERSONAL

- **Permanezca alerta, preste atención a lo que esté haciendo y aplique el sentido común al utilizar herramientas eléctricas. No utilice la herramienta eléctrica si está cansado o se encuentra bajo los efectos de alguna droga, alcohol o medicamento.** Un momento de inatención al utilizar una herramienta eléctrica puede causar lesiones corporales serias.
- **Utilice protección el equipo otros. Siempre póngase protección ocular.** El uso de equipo protector como mascarilla para el polvo, calzado de seguridad, casco y protección para

los oídos en las circunstancias donde corresponda disminuye el riesgo de lesiones.

- **Evite que la herramienta se active accidentalmente. Asegúrese de que el interruptor esté en la posición de apagado antes de conectar la herramienta a un suministro de corriente o de colocar un paquete de baterías.** Transportar herramientas eléctricas con el dedo en el interruptor o enchufar herramientas eléctricas que tienen el interruptor encendido puede ocasionar accidentes.
- **Retire toda llave o herramienta de ajuste antes de encender la herramienta eléctrica.** Toda llave o herramienta de ajuste dejada en una pieza giratoria de la herramienta eléctrica puede causar lesiones.
- **No estire el cuerpo para alcanzar mayor distancia. Mantenga una postura firme y buen equilibrio en todo momento.** De esta manera se logra un mejor control de la herramienta eléctrica en situaciones inesperadas.
- **Vístase adecuadamente. No vista ropas holgadas ni joyas. Mantenga el cabello, la ropa y los guantes alejados de las piezas móviles.** Las ropas holgadas y las joyas, así como el cabello largo, pueden engancharse en las piezas móviles.
- **Si se suministran dispositivos para conectar mangueras de extracción y captación de polvo, asegúrese de que éstas estén bien conectadas y se usen correctamente.** El uso de la captación de polvo puede reducir los peligros relacionados con éste.
- **No permita que la familiaridad obtenida por el uso frecuente de las herramientas lo vuelva complaciente e ignore los principios de seguridad de las herramientas.** Una acción descuidada puede causar lesiones graves en una fracción de segundo.
- **No vista ropas holgadas ni joyas. Recójase el cabello si está largo.** Las ropas holgadas y las joyas, así como el cabello largo, pueden resultar atraídas hacia el interior de las aberturas de ventilación.
- **No utilice la unidad al estar en una escalera o en un soporte inestable.** Una postura estable sobre una superficie sólida permite un mejor control de la herramienta eléctrica en situaciones inesperadas.

EMPLEO Y CUIDADO DE LA HERRAMIENTA ELÉCTRICA

- **No fuerce la herramienta eléctrica. Utilice la herramienta eléctrica adecuada para cada trabajo.** La herramienta eléctrica adecuada efectúa mejor y de manera más segura el trabajo, si además se maneja a la velocidad para la que está diseñada.
- **No utilice la herramienta si el interruptor no enciende o no apaga.** Cualquier herramienta eléctrica que no pueda controlarse con el interruptor es peligrosa y debe repararse.
- **Desconecte el enchufe de la fuente de alimentación o retire el paquete de baterías, si es desmontable, de la herramienta eléctrica antes de realizar ajustes, cambiar accesorios o almacenar herramientas eléctricas.** Tales medidas preventivas de seguridad reducen el riesgo de poner en marcha accidentalmente la herramienta.
- **Guarde las herramientas eléctricas desocupadas fuera del alcance de los niños y no permita que las utilicen personas no familiarizadas con las mismas o con estas instrucciones.** Las herramientas eléctricas son peligrosas en manos de personas no capacitadas en el uso de las mismas.
- **Mantenimiento de las herramientas eléctricas y accesorios. Revise para ver si hay desalineación o atoramiento de piezas móviles, ruptura de piezas o toda otra condición que pueda afectar el funcionamiento de la herramienta eléctrica. Si está dañada la herramienta eléctrica, permita que la reparen antes de usarla.** Numerosos accidentes son causados por herramientas eléctricas mal cuidadas.
- **Mantenga las herramientas de corte afiladas y limpias.** Las herramientas de corte bien cuidadas y con bordes bien afilados,

ADVERTENCIAS DE SEGURIDAD PARA HERRAMIENTAS ELÉCTRICAS

tienen menos probabilidad de atascarse en la pieza de trabajo y son más fáciles de controlar.

- **Use la herramienta eléctrica, los accesorios, las brocas, etc. según estas instrucciones, teniendo en cuenta las condiciones de trabajo y la tarea que se va a realizar.** Si se utiliza la herramienta eléctrica para operaciones diferentes de las indicadas podría originar una situación peligrosa.
- **Mantenga los mangos y superficies de agarre limpias y libres de aceite y grasa.** Los mangos y superficies de agarre resbalosas no permiten la manipulación y control seguro de la herramienta en situaciones inesperadas.

EMPLEO Y CUIDADO DE LA HERRAMIENTA DE BATERÍAS

- **Sólo cargue el paquete de baterías con el cargador especificado por el fabricante.** Un cargador adecuado para un tipo paquete de baterías puede significar un riesgo de incendio si se emplea con un paquete de baterías diferente.
- **Utilice las herramientas eléctricas sólo con los paquetes de baterías específicamente indicados.** El empleo de paquetes de baterías diferentes puede presentar un riesgo de incendio.
- **Cuando no esté utilizándose el paquete de baterías, manténgalo lejos de otros objetos metálicos, como clips, monedas, llaves, clavos, tornillos o otros objetos metálicos, pequeños que puedan establecer conexión entre ambas terminales.** Establecer una conexión directa entre las dos terminales de las baterías puede causar quemaduras o incendios.

- **Si se maltratan las baterías, puede derramarse líquido de las mismas; evite todo contacto con éste. En caso de contacto, lávese con agua. Si el líquido llega a tocar los ojos, además busque atención médica.** El líquido de las baterías puede causar irritación y quemaduras.
- **No utilice un paquete de baterías o una herramienta que esté dañado o modificado.** Las baterías dañadas o modificadas pueden tener un funcionamiento impredecible que provoque incendios, explosiones o riesgo de lesiones.
- **No exponga el paquete de baterías o una herramienta al fuego o a temperaturas excesivas.** La exposición al fuego o a temperatura sobre los 130 °C (265 °F) puede provocar explosiones.
- **Siga todas las instrucciones de carga y no cargue el paquete de baterías ni la herramienta fuera del rango de temperaturas especificado en las instrucciones.** Si realiza la carga en forma incorrecta o fuera de las temperaturas del rango especificado puede dañar la batería y aumentar el riesgo de incendios.

SERVICIO

- **Permita que un técnico de reparación calificado preste servicio a la herramienta eléctrica, y sólo con piezas de repuesto idénticas.** De esta manera se mantiene la seguridad de la herramienta eléctrica.
- **Nunca repare paquetes de baterías dañados.** La reparación de paquetes de baterías solo puede ser realizada por el fabricante o proveedores de servicio autorizados.

ADVERTENCIAS DE SEGURIDAD PARA DESTORNILLADOR DE IMPACTO




- **Sujete la herramienta eléctrica por las superficies aisladas de sujeción al efectuar una operación en la cual el sujetador pueda entrar en contacto con cables ocultos.** Si los sujetadores tocan cables con corriente, las piezas metálicas expuestas de la herramienta eléctrica pueden transportar corriente y ocasionar así una descarga eléctrica al operador.
- **Al utilizar taladros de impacto póngase protectores para los oídos.** La exposición a ruido puede producir la pérdida de la audición.
- **Utilice el o los mangos auxiliares, de venir provistos junto con la herramienta.** Cualquier pérdida de control puede causar lesiones personales.
- **Familiarícese con su herramienta eléctrica. Lea cuidadosamente el manual del operador. Aprenda sus usos y limitaciones, así como los posibles peligros específicos de esta herramienta eléctrica.** Con el cumplimiento de esta regla se reduce el riesgo de una descarga eléctrica, incendio o lesión seria.
- **Siempre use protección ocular con laterales protectores con la marca de cumplimiento con la norma ANSI Z87.1 al ensamblar piezas, utilizar la herramienta o llevar a cabo tareas de mantenimiento.** Con el cumplimiento de esta regla se reduce el riesgo de lesiones corporales serias.
- **Protéjase los pulmones. Use una careta o mascarilla contra el polvo si la operación genera mucho polvo.** Con el cumplimiento de esta regla se reduce el riesgo de lesiones serias.
- **Protéjase los oídos. Durante períodos prolongados de utilización del producto, póngase protección para los oídos.** Con el cumplimiento de esta regla se reduce el riesgo de lesiones corporales serias.
- **No se necesita conectar a una toma de corriente las herramientas de baterías; por lo tanto, siempre están en condiciones de funcionamiento. Esté consciente de los**

posibles peligros cuando no esté usando la herramienta de baterías o cuando esté cambiando los accesorios de la misma. Con el cumplimiento de esta regla se reduce el riesgo de una descarga eléctrica, incendio o lesión corporal seria.







- **No coloque herramientas de baterías ni las baterías mismas cerca del fuego o del calor.** De esta manera se reduce el riesgo de explosiones y de lesiones.
- **No aplaste, deje caer o dañe de baterías. Nunca utilice una batería o cargador que se ha caído, aplastado, recibido un golpe contundente o ha sido dañado(a) de alguna manera.** Las baterías dañadas pueden sufrir explosiones. Deseche de inmediato toda batería que haya sufrido una caída o cualquier daño.
- **Las baterías pueden explotar en presencia de fuentes de inflamación, como los pilotos de gas.** Para reducir el riesgo de lesiones serias, nunca use un producto inalámbrico en presencia de llamas expuestas. La explosión de una batería puede lanzar fragmentos y compuestos químicos. Si ha quedado expuesto a la explosión de una batería, lávese de inmediato con agua.
- **No cargue herramientas de baterías en lugares mojados o húmedos. No lo utilice, guarde o cargue la paquete de baterías o la unidad en lugares donde la temperatura sea inferior a 10 °C (50 °F) o superior a 38 °C (100 °F).** No guarde la herramienta a la intemperie ni en el interior de vehículos.
- **En condiciones extremas de uso o temperatura las baterías pueden emanar líquido. Si el líquido llega a tocarle la piel, lávese de inmediato con agua y jabón. Si le entra líquido en los ojos, láveselos con agua limpia por lo menos 10 minutos, y después busque de inmediato atención médica.** Con el cumplimiento de esta regla se reduce el riesgo de lesiones corporales serias.
- **Guarde estas instrucciones.** Consúltelas con frecuencia y empléelas para instruir a otras personas que puedan utilizar esta herramienta. Si presta a alguien esta herramienta, facilítele también las instrucciones.

SÍMBOLOS

Las siguientes palabras de señalización y sus significados tienen el objeto de explicar los niveles de riesgo relacionados con este producto.

SÍMBOLO	SEÑAL	SIGNIFICADO
	PELIGRO:	Indica una situación peligrosa, la cual, si no se evita, causará la muerte o lesiones serias.
	ADVERTENCIA:	Indica una situación peligrosa, la cual, si no se evita, podría causar la muerte o lesiones serias.
	PRECAUCIÓN:	Indica una situación peligrosa, la cual, si no se evita, podría causar lesiones menores o leves.
	AVISO:	(Sin el símbolo de alerta de seguridad) Indica la información que se considera importante, pero no relacionada con lesiones potenciales (por ej. en relación a daños a la propiedad).

Es posible que se empleen en este producto algunos de los siguientes símbolos. Le suplicamos estudiarlos y aprender su significado. Una correcta interpretación de estos símbolos le permitirá utilizar mejor y de manera más segura el producto.

SÍMBOLO	NOMBRE	DENOMINACIÓN/EXPLICACIÓN
	Alerta de seguridad	Indica un peligro posible de lesiones personales.
	Lea el manual del operador	Para reducir el riesgo de lesiones, el usuario debe leer y comprender el manual del operador antes de usar este producto.
	Protección ocular	Siempre póngase protección ocular con protección lateral con la marca de cumplimiento de la norma ANSI Z87.1.
	Alerta de condiciones húmedas	No exponga la unidad a la lluvia ni la use en lugares húmedos.
	Superficie caliente	Para reducir el riesgo de lesiones corporales o daños materiales evite tocar toda superficie caliente.
	Símbolos de reciclado	Este producto utiliza baterías de iones de litio (Li-ion). Es posible que algunas leyes municipales, estatales o federales prohíban desechar las baterías en la basura normal. Consulte a las autoridades reguladoras de desechos para obtener información en relación con las alternativas de reciclado y desecho disponibles.
V	Volts	Voltaje
min	Minutos	Tiempo
==	Corriente continua	Tipo o característica de corriente
n_0	Velocidad en vacío	Velocidad de rotación, en vacío
.../min	Por minuto	Revoluciones, carreras, velocidad superficial, órbitas, etc., por minuto

CARACTERÍSTICAS

ESPECIFICACIONES DEL PRODUCTO

Acoplador 6,35 mm (1/4 pulg.) Velocidad de impacto 4 000 IPM

Velocidad/torsión

BAJA (1) 0–1 050 RPM / 67,8 Nm (600 in-pulg.)

MEDIANO (2) 0–2 200 RPM / 146,9 Nm (1 300 in-pulg.)

ALTA (3) 0–3 200 RPM / 248,6 Nm (2 200 in-pulg.)

ARMADO

ADVERTENCIA:

No use este producto si no está totalmente ensamblado o si alguna pieza falta o está dañada. El uso de un producto que no está adecuadamente y completamente ensamblado o posee partes dañadas o faltantes puede resultar en lesiones personales graves.

ADVERTENCIA:

No intente modificar este producto ni crear aditamentos o accesorios que no estén recomendados para usar con este producto. Dichas alteraciones o modificaciones constituyen un uso indebido y podrían provocar una situación de riesgo que cause posibles lesiones personales graves.

Si hay piezas dañadas o faltantes, le suplicamos llamar al 1-800-525-2579, donde le brindaremos asistencia.

FUNCIONAMIENTO

ADVERTENCIA:

No permita que su familiarización con las herramientas lo vuelva descuidado. Tenga presente que un descuido de un instante es suficiente para causar una lesión grave.

ADVERTENCIA:

Siempre retire el paquete de baterías de la herramienta cuando esté ensamblando partes, realizando ajustes, limpiando o cuando ésta no esté en uso. Retirando el paquete de baterías se evita arrancar accidentalmente la unidad, lo cual puede causar lesiones serias.

ADVERTENCIA:

Siempre póngase protección ocular con protección lateral con la marca de cumplimiento de la norma ANSI Z87.1. Si no cumple esta advertencia, los objetos que salen despedidos pueden producirle lesiones serias en los ojos.

ADVERTENCIA:

No utilice ningún aditamento o accesorio no recomendado por el fabricante de esta producto. El empleo de aditamentos o accesorios no recomendados podría causar lesiones serias.

USOS

Este producto puede emplearse para los fines siguientes:

- Introducción de tornillos largos para entablados; introducción de pernos de carruaje en los postes de lasterrazas de madera; introducción de tornillos Tapcon® en paredes de bloque y en hormigón; introducción de tornillos en miembros estructurales metálicos

GATILLO DEL INTERRUPTOR DE VELOCIDAD VARIABLE

Vea la figura 1, página 8.

El gatillo de velocidad variable produce mayor velocidad cuanto mayor presión se aplica en el gatillo, y menor velocidad cuanto menor presión se aplica en el mismo.

FUNCIONAMIENTO

Para ENCENDER el taladro, oprima el gatillo del interruptor. Para DETENER el taladro, suelte el gatillo del interruptor y permita que se detenga completamente el portabrocas.

SELECTOR DE SENTIDO DE ROTACIÓN (MARCHA ADELANTE/ATRÁS/SEGURO EN EL CENTRO)

Vea la figura 1, página 8.

Ajuste el selector de sentido de rotación en la posición de APAGADO (seguro en el centro) para bloquear el gatillo del interruptor y ayudar a prevenir un arranque accidental cuando no esté en uso.

Ubique el selector de sentido de rotación a la izquierda del gatillo del interruptor para taladrar hacia adelante. Ubique el selector a la derecha del gatillo del interruptor para taladrar hacia atrás.

NOTA: El herramienta no funciona a menos que se empuje el selector de dirección de giro completamente a la izquierda o derecha.

AVISO:

Para evitar dañar el engranaje, antes de cambiar el sentido de rotación siempre permita que se detenga completamente el portabrocas.

⚠ ADVERTENCIA:

Las herramientas de baterías siempre están en condiciones de funcionamiento. Bloquee el interruptor cuando no esté en uso o lo lleve a su lado, al instalar o extraer el paquete de baterías y al instalar o extraer brocas.

INSTALACIÓN/DESMONTAR DE GANCHO DEL CINTURÓN

Vea la figura 2, página 8.

El gancho para el cinturón se puede usar en cualquiera de los dos lados de la herramienta.

- Alinee el orificio de gancho del cinturón con el orificio de alojamiento.
- Coloque el tornillo para asegurarla.
- Para retirar, afloje el tornillo y retire el gancho del cinturón.

INSTALACIÓN/DESMONTAR DEL PAQUETE DE BATERÍAS

Vea la figura 3, página 8.

- Bloquee el gatillo del interruptor.
- Coloque el paquete de baterías en el producto como se muestra.
- Asegúrese de que los pestillos situados a ambos lados del paquete de baterías entren completamente en su lugar con un chasquido y de que el paquete quede bien asegurado en la herramienta antes de comenzar a utilizarla.

- Oprima los pestillos para extraer el paquete de baterías. Para ver las instrucciones de carga completas, consulte el manual del operador de los paquetes de baterías y cargadores.

INSTALACIÓN/DESMONTAR DE LAS BROCAS

Vea la figura 4, página 9.

PORTABROCAS DE CARGA AUTOMÁTICA para cargar y expulsar brocas rápida y fácilmente con una sola mano.

El acoplador está diseñado para aceptar puntas hexagonales de 1/4 pulg.

Instalación:

- Asegure el gatillo del interruptor.
- Retire el paquete de baterías.
- Presione la punta en el acoplador hasta que se encaje en su lugar con un clic.
- Tire de la punta de destornillador para asegurarse de que esté segura en el acoplador. Puede haber un poco de juego en la punta ya instalada; lo cual es normal.

NOTA: Sólo utilice puntas de destornillador de impacto de alta calidad con ranura de aseguramiento.

⚠ ADVERTENCIA:

Asegúrese de que la punta de destornillador esté asegurada en el acoplador antes de usar el destornillador de impacto. La inobservancia de esta advertencia puede causar lesiones serias.

⚠ PRECAUCIÓN:

La superficie metálica puede calentarse durante el uso. Evite tocarla para evitar toda posible lesión por quemadura.

Desmontar:

- Asegure el gatillo del interruptor.
- Retire el paquete de baterías.
- Con la punta de la herramienta apuntando en la dirección opuesta a la que usted se encuentra, tire del acoplador para retirarlo del destornillador.
- La punta quedará expulsada del acoplador.

CONTROL DE VELOCIDAD/TORSIÓN

Vea la figura 5, página 9.

La velocidad y la torsión del destornillador de impacto pueden cambiarse para distintas aplicaciones.

- BAJA (1) velocidad/torsión
- MEDIANO (2) velocidad/torsión
- ALTA (3) velocidad/torsión

FUNCIONAMIENTO

ENROSCADO Y DESENROSCADO DE TORNILLOS

Vea las figuras 6 y 7, página 9.

ADVERTENCIA:

No introduzca tornillos donde pudiera haber cables ocultos detrás de la superficie. Todo contacto de una herramienta con un cable cargado carga las piezas metálicas expuestas de la herramienta y da una descarga eléctrica al operador. Si debe introducir tornillos donde pudiera haber cables ocultos, siempre sujete la herramienta por las superficies aisladas de sujeción (mango) al efectuar una operación para evitar una descarga eléctrica al operador.

AVISO:

El destornillador de impacto no está diseñado para utilizarse como taladro.

- Coloque el selector de sentido de rotación en la posición adecuada para la operación.
- Sujete el destornillador de impacto firmemente con una mano.
- Coloque la punta de destornillador en la cabeza del tornillo y oprima lentamente el gatillo del interruptor. Empieza a girar lentamente la punta de destornillador para tener mayor control.

NOTA: Las luces LED de tres haces se encenderán cuando se presione el gatillo.

- A medida que se enrosca el tornillo, comienza la aplicación de impactos.

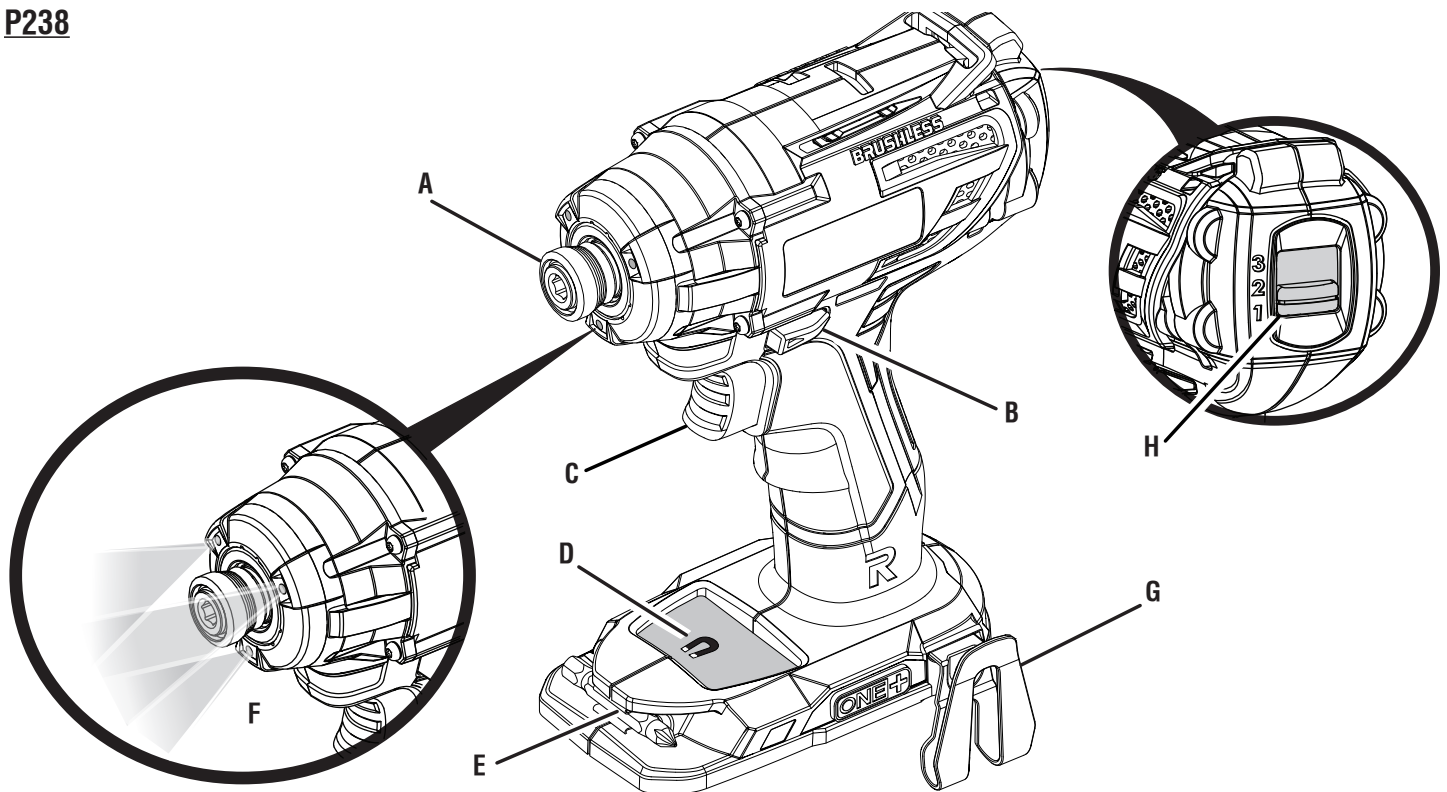
MANTENIMIENTO

ADVERTENCIA:

Al dar servicio a la unidad, sólo utilice piezas de repuesto idénticas. El empleo de piezas diferentes podría causar un peligro o dañar el producto.

MANTENIMIENTO GENERAL

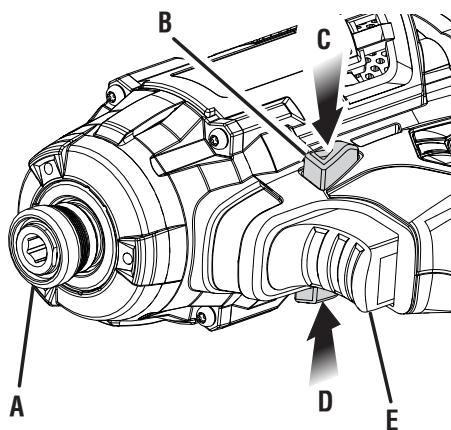
Evite el empleo de solventes al limpiar piezas de plástico. La mayoría de los plásticos son susceptibles a diferentes tipos de solventes comerciales y pueden resultar dañados. Utilice paños limpios para eliminar la suciedad, el polvo, el aceite, la grasa, etc.



- A - Auto-load chuck (mandrin à serrage automatique, portabrocas de carga automática)
- B - Direction of rotation selector (sélecteur de sens de rotation, dirección del selector de rotación)
- C - Variable speed switch trigger (gâchette de commande de vitesse variable, gatillo del interruptor de velocidad variable)
- D - MAG TRAY™ screw holder (compartiment à vis, compartimento para tornillos)

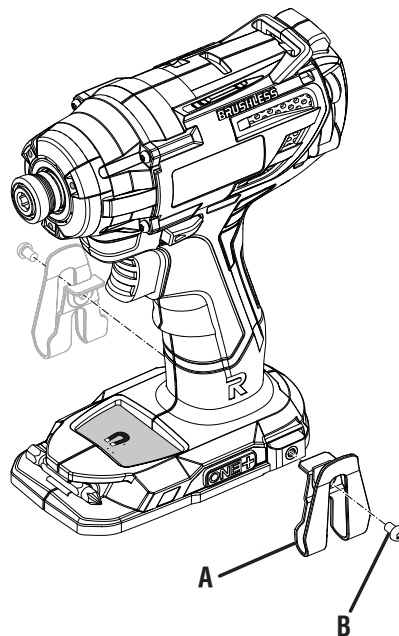
- E - Bit storage (rangement d'embouts, lugar de almacenamiento para brocas)
- F - Tri-beam LED (ampoule à DEL à trois, luz LED de tres)
- G - Belt clip (gancho para cinturón, pince de ceinture)
- H - Speed/torque selector (sélecteur de vitesse/couple, control de velocidad/torsión)

Fig. 1



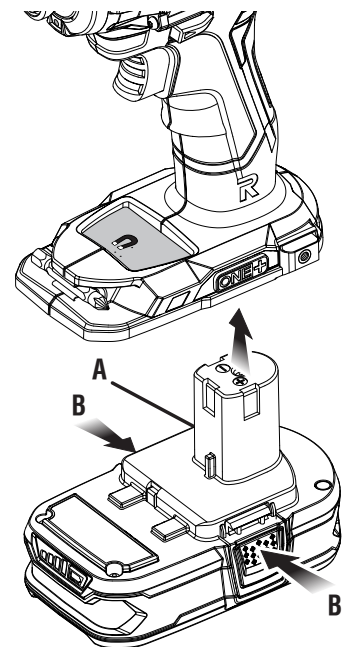
- A - Auto-load chuck (mandrin à serrage automatique, portabrocas de carga automática)
- B - Direction of rotation selector (sélecteur de sens de rotation, dirección del selector de rotación)
- C - Reverse (rotation arrière, marcha atrás)
- D - Forward (rotation avant, marcha adelante)
- E - Variable speed switch trigger (gâchette de commande de vitesse variable, gatillo del interruptor de velocidad variable)

Fig. 2



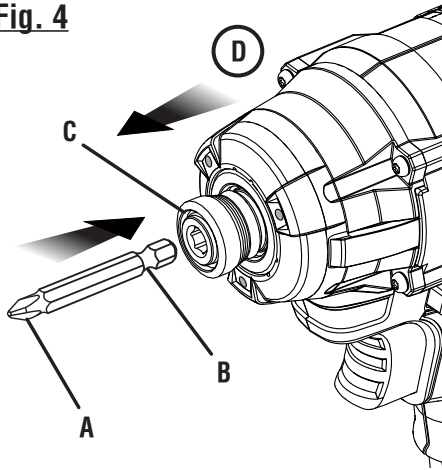
- A - Belt clip (gancho para cinturón, pince de ceinture)
- B - Screw (vis, tornillo)

Fig. 3



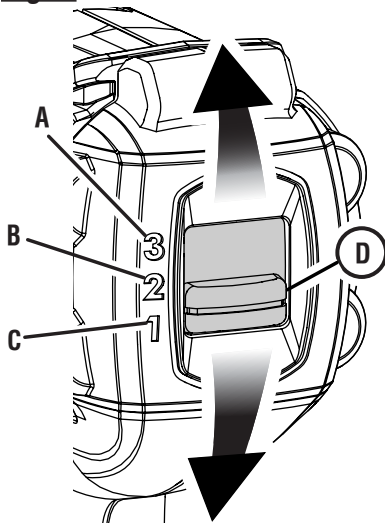
- A - Battery pack (bloc-piles, paquete de baterías)
- B - Latches (loquets, pestillos)

Fig. 4



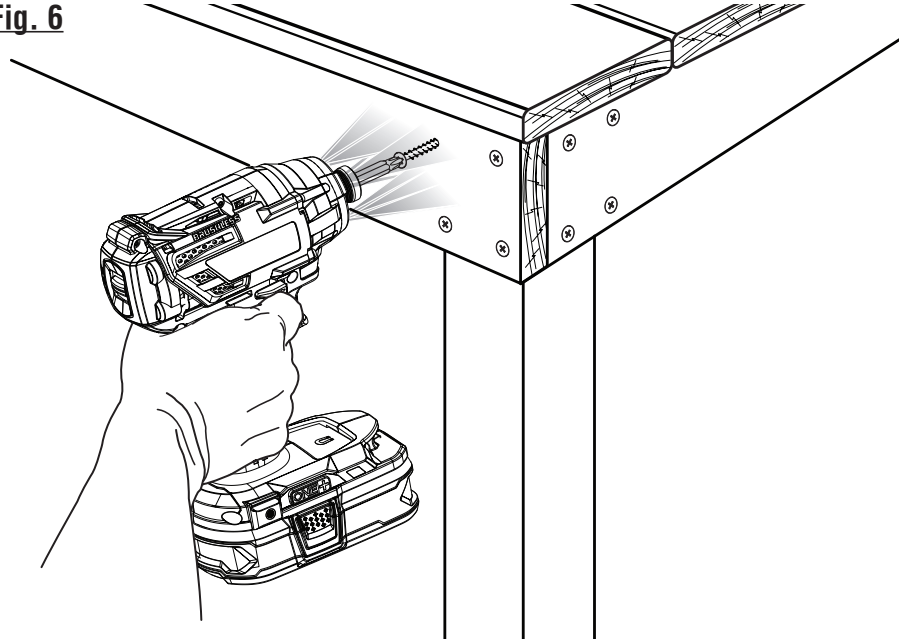
- A - Bit (embout, broca)
- B - Locking groove (rainure de verrouillage, ranura de aseguramiento)
- C - Auto-load chuck (mandrin à serrage automatique, portabrocas de carga automática)
- D - To eject bit (pour éjecter l'embout, para expulsar la punta)

Fig. 5



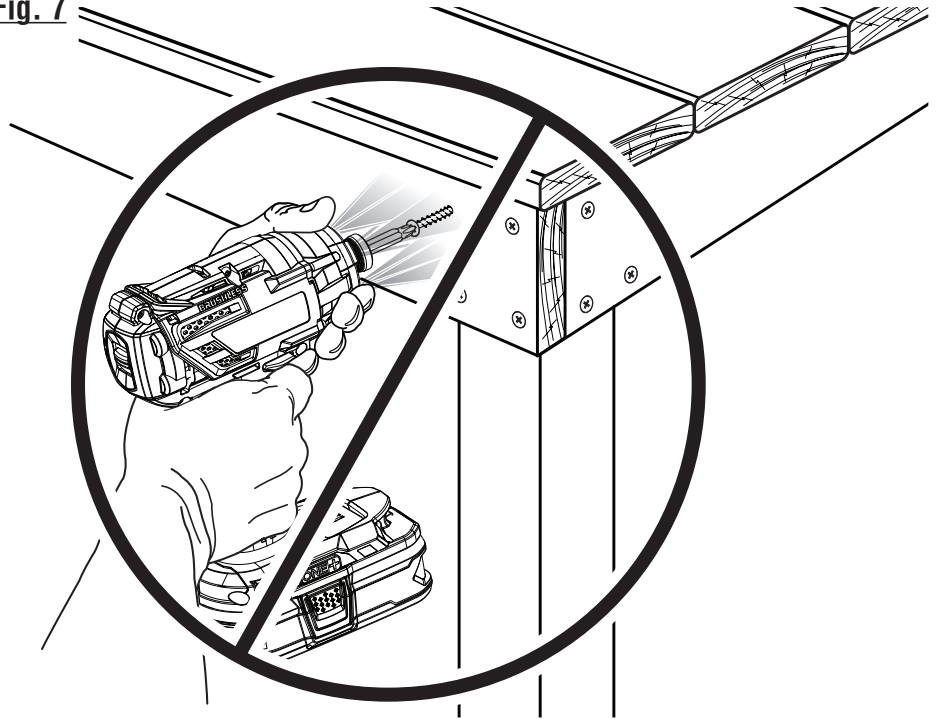
- A - HIGH Speed/Torque (3) [vitesse/couple RAPIDE (3), ALTA velocidad/torsión (3)]
- B - MEDIUM Speed/Torque (2) [vitesse/couple MOYEN (2), MEDIANO velocidad/torsión (2)]
- C - LOW Speed/Torque (1) [vitesse/couple BASSE (1), BAJA velocidad/torsión (1)]
- D - Speed/torque selector (sélecteur de vitesse/couple, control de velocidad/torsión)

Fig. 6



CORRECT OPERATION / UTILISATION ADÉQUATE / FUNCIONAMIENTO CORRECTO

Fig. 7



INCORRECT OPERATION / UTILISATION INCORRECT / FUNCIONAMIENTO INCORRECTO



OPERATOR'S MANUAL / 18 V BRUSHLESS IMPACT DRIVER
MANUEL D'UTILISATION / CLÉ À CHOCS DE 18 V SANS BALAI
MANUAL DEL OPERADOR / DESTORNILLADOR DE IMPACTO DE 18 V
SIN ESCOBILLAS

P238

To request service, purchase replacement parts,
locate an Authorized Service Center and obtain Customer or Technical Support:

Visit **www.ryobitools.com** or call **1-800-525-2579**

If any parts or accessories are damaged or missing,
do not return this product to the store. Call **1-800-525-2579** for immediate service.

Please obtain your model and serial number from the product data plate.

This product is covered under a 3-year limited Warranty. Proof of purchase is required.

MODEL NUMBER _____ SERIAL NUMBER _____

RYOBI is a registered trademark of Ryobi Limited and is used pursuant to a license granted by Ryobi Limited.

Pour faire une demande de réparations ou obtenir des pièces de rechange, trouver un
Centre de réparations agréé pour obtenir un soutien technique ou le Service à la clientèle :

Visiter **www.ryobitools.com** ou en téléphonant au **1-800-525-2579**

Si des pièces ou accessoires sont manquantes ou endommagées, ne pas retourner
ce produit au magasin. Appeler immédiatement au **1-800-525-2579** pour obtenir de l'aide.

Inscrire les numéros de modèle et de série inscrits sur la plaque d'identification du produit.

Ce produit est couvert par une garantie limitée de trois (3) ans. Une preuve d'achat est exigée.

NUMÉRO DE MODÈLE _____ NUMÉRO DE SÉRIE _____

RYOBI est une marque déposée de Ryobi Limited et est utilisée en vertu d'une licence accordée par Ryobi Limited.

Para obtener servicio, comprar piezas de repuesto, localizar un centro de servicio autorizado
y obtener Servicio o Asistencia Técnica al Consumidor:

Visite **www.ryobitools.com** o llame al **1-800-525-2579**

Si hay alguna pieza ou accesorios dañada o faltante, no devuelva este producto a la tienda.
Llame al **1-800-525-2579** para servicio técnico inmediato.

Obtenga su modelo y número de serie de la placa de datos del producto.

Este producto está cubierto con una garantía limitada de 3 años. Se solicita prueba de la compra.

NÚMERO DE MODELO _____ NÚMERO DE SERIE _____

RYOBI es una marca registrada de Ryobi Limited y se utiliza conforme a una licencia otorgada por Ryobi Limited.

ONE WORLD TECHNOLOGIES, INC.

1428 Pearman Dairy Road, Anderson, SC 29625 • Phone 1-800-525-2579

États-Unis, Téléphone 1-800-525-2579 • USA, Teléfono 1-800-525-2579

www.ryobitools.com