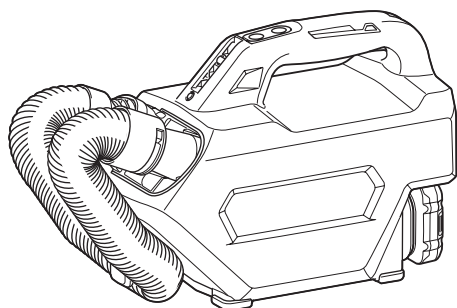


**INSTRUCTION MANUAL
MANUAL DE INSTRUCCIONES**



Cordless Cleaner Aspiradora Inalámbrica

LC09



IMPORTANT: Read Before Using.

IMPORTANTE: Lea antes de usar.

SPECIFICATIONS

Model:		LC09
Capacity	with a dust bag	500 mL
	with a paper filter	330 mL
Continuous use (with battery BL1016)	1 (Normal speed mode)	Approx. 25 min
	2 (High speed mode)	Approx. 12 min
	3 (Max speed mode)	Approx. 10 min
Overall length (with battery BL1016)		345 mm (13-5/8")
Rated voltage		D.C. 10.8 V - 12 V max
Net weight		1.7 - 1.8 kg (3.7 - 4.0 lbs)

- Due to our continuing program of research and development, the specifications herein are subject to change without notice.
- Specifications may differ from country to country.
- The weight does not include accessories but battery cartridge(s). The lightest and heaviest combination weight of the appliance and battery cartridge(s) are shown in the table.

Applicable battery cartridge and charger

Battery cartridge	BL1016 / BL1021B / BL1041B
Charger	DC10SB / DC10WD / DC18RE

- Some of the battery cartridges and chargers listed above may not be available depending on your region of residence.

⚠WARNING: Only use the battery cartridges and chargers listed above. Use of any other battery cartridges and chargers may cause injury and/or fire.

SAFETY WARNINGS

IMPORTANT SAFETY INSTRUCTIONS

When using an electrical appliance, basic precautions should always be followed, including the following:

**READ ALL
INSTRUCTIONS
BEFORE USING
THIS APPLIANCE.**

WARNING

To reduce the risk of fire, electric shock or injury:

1. Do not leave appliance when battery fitted. Remove battery from appliance when not in use and before servicing.
2. Do not use on wet surfaces. Do not expose to rain. Store indoors.
3. Do not allow to be used as a toy. Close attention is necessary when used by or near children.
4. Use only as described in this manual. Use only manufacturer's recommended attachments.
5. Do not use with damaged battery. If appliance is not working as it should, has been dropped, damaged, left outdoors, or dropped into water, return it to a service center.
6. Do not handle appliance with wet hands.

7. **Do not put any object into openings. Do not use with any opening blocked; keep free of dust, lint, hair, and anything that may reduce air flow.**
8. **Keep hair, loose clothing, fingers, and all parts of body away from openings and moving parts.**
9. **Turn off all controls before removing the battery cartridge.**
10. **Use extra care when cleaning on stairs.**
11. **Do not use to pick up flammable or combustible liquids, such as gasoline, or use in areas where they may be present.**
12. **Do not pick up anything that is burning or smoking, such as cigarettes, matches, or hot ashes.**
13. **Do not use without dust bag and/or filters in place.**
14. **Do not charge the battery outdoors.**
15. **Prevent unintentional starting. Ensure the switch is in the off-position before connecting to battery pack, picking up or carrying the appliance.** Carrying the appliance with your finger on the switch or energizing appliance that have the switch on invites accidents.
16. **Disconnect the battery pack from the appliance before making any adjustments, changing accessories, or storing appliance.** Such preventive safety measures reduce the risk of starting the appliance accidentally.
17. **Recharge only with the charger specified by the manufacturer.** A charger that is suitable for one type of battery pack may create a risk of fire when used with another battery pack.
18. **Use appliances only with specifically designated battery packs.** Use of any other battery packs may create a risk of injury and fire.
19. **When battery pack is not in use, keep it away from other metal objects, like paper clips, coins, keys, nails, screws or other small metal objects, that can make a connection from one terminal to another.** Shorting the battery terminals together may cause burns or a fire.
20. **Under abusive conditions, liquid may be ejected from the battery; avoid contact. If contact accidentally occurs, flush with water. If liquid contacts eyes, additionally seek medical help.** Liquid ejected from the battery may cause irritation or burns.
21. **Do not use a battery pack or appliance that is damaged or modified. Damaged or modified batteries may exhibit unpredictable behaviour resulting in fire, explosion or risk of injury.**
22. **Do not expose a battery pack or appliance to fire or excessive temperature. Exposure to fire or temperature above 130 °C may cause explosion.**
23. **Follow all charging instructions and do not charge the battery pack or appliance outside of the temperature range specified in the instructions.** Charging improperly or at temperatures outside of the specified range may damage the battery and increase the risk of fire.
24. **Have servicing performed by a qualified repair person using only identical replacement parts.** This will ensure that the safety of the product is maintained.
25. **Do not modify or attempt to repair the appliance or the battery pack except as indicated in the instructions for use and care.**

SAVE THESE INSTRUCTIONS.

ADDITIONAL SAFETY RULES

This appliance is intended for household use.

1. **Read this instruction manual and the charger instruction manual carefully before use.**
2. **Do not vacuum the following:**
 - **Flammable liquid (kerosene, gasoline, solvents such as benzene, thinner, etc.)**
 - **Hot substances that are burning or smoking (cigarettes, matches, incense sticks, candles, hot ashes), sparks and metal dust generated by cutting or grinding metal, etc.**

- Flammable material (toner, paint, spray, etc.)
- Foam like carpet cleaning agent, etc. (they may cause explosion or fire)
- Explosive or pyrophoric substances (nitroglycerin, aluminum, magnesium, titanium, zinc, red phosphorus, yellow phosphorus, celluloid, etc. and their dust, gas or steam)
- Sharp objects (glass, cutlery, wood splinter, metal, stone, nail, razor, push pin, etc.)
- Solidifying and conductive fine powder (metal or carbon powder)
- Dehumidifier
- Large amount of powder (flour, fire extinguisher powder, etc.)
- Substances that cause toxic symptoms
- Aggressive chemicals (acid, leach, etc.)
- Liquid or damp garbage, including vomit and excreta
- Asbestos
- Pesticides

Such action may cause fire, injury and/or property damage.

To reduce your exposure to these chemicals, always wear approved respiratory protection such as dust masks that are specially designed to filter out microscopic particles. Direct the exhaust air away from your face and body.

3. Stop operation immediately if you notice anything abnormal.
4. If you drop or strike the cleaner, check it carefully for cracks or damage before operation.
5. Do not bring close to stoves or other heat sources.
6. Do not block the intake hole or vent holes.

SAVE THESE INSTRUCTIONS.

Symbols

The followings show the symbols used for tool.

v	volts
⋯	direct current

Important safety instructions for battery cartridge

1. Before using battery cartridge, read all instructions and cautionary markings on (1) battery charger, (2) battery, and (3) product using battery.
2. Do not disassemble battery cartridge.
3. If operating time has become excessively shorter, stop operating immediately. It may result in a risk of overheating, possible burns and even an explosion.
4. If electrolyte gets into your eyes, rinse them out with clear water and seek medical attention right away. It may result in loss of your eyesight.
5. Do not short the battery cartridge:
 - (1) Do not touch the terminals with any conductive material.
 - (2) Avoid storing battery cartridge in a container with other metal objects such as nails, coins, etc.
 - (3) Do not expose battery cartridge to water or rain.

A battery short can cause a large current flow, overheating, possible burns and even a breakdown.
6. Do not store the tool and battery cartridge in locations where the temperature may reach or exceed 50 °C (122 °F).
7. Do not incinerate the battery cartridge even if it is severely damaged or is completely worn out. The battery cartridge can explode in a fire.

8. **Be careful not to drop or strike battery.**
9. **Do not use a damaged battery.**
10. **The contained lithium-ion batteries are subject to the Dangerous Goods Legislation requirements.**
For commercial transports e.g. by third parties, forwarding agents, special requirement on packaging and labeling must be observed.
For preparation of the item being shipped, consulting an expert for hazardous material is required. Please also observe possibly more detailed national regulations.
Tape or mask off open contacts and pack up the battery in such a manner that it cannot move around in the packaging.
11. **Follow your local regulations relating to disposal of battery.**
12. **Use the batteries only with the products specified by Makita.** Installing the batteries to non-compliant products may result in a fire, excessive heat, explosion, or leak of electrolyte.

SAVE THESE INSTRUCTIONS.

CAUTION: Only use genuine Makita batteries. Use of non-genuine Makita batteries, or batteries that have been altered, may result in the battery bursting causing fires, personal injury and damage. It will also void the Makita warranty for the Makita tool and charger.

Tips for maintaining maximum battery life

1. **Charge the battery cartridge before completely discharged.** Always stop tool operation and charge the battery cartridge when you notice less tool power.
2. **Never recharge a fully charged battery cartridge.** Overcharging shortens the battery service life.
3. **Charge the battery cartridge with room temperature at 10 °C - 40 °C (50 °F - 104 °F).** Let a hot battery cartridge cool down before charging it.

FUNCTIONAL DESCRIPTION

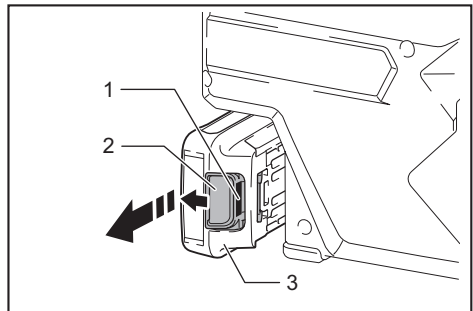
CAUTION: Always be sure that the tool is switched off and the battery cartridge is removed before adjusting or checking function on the tool.

CAUTION: Take care not to trap finger(s) between cleaner and battery when loading battery. Trapping finger(s) may cause injury.

Installing or removing battery cartridge

CAUTION: Always switch off the tool before installing or removing of the battery cartridge.

CAUTION: Hold the tool and the battery cartridge firmly when installing or removing battery cartridge. Failure to hold the tool and the battery cartridge firmly may cause them to slip off your hands and result in damage to the tool and battery cartridge and a personal injury.



► 1. Red indicator 2. Button 3. Battery cartridge

To remove the battery cartridge, slide it from the tool while sliding the button on the front of the cartridge.

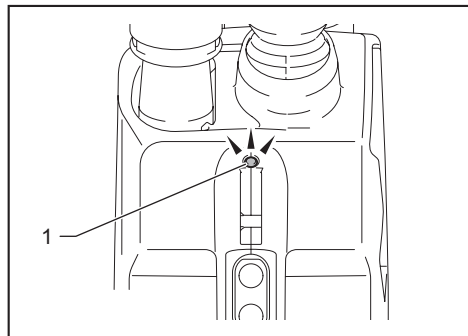
To install the battery cartridge, align the tongue on the battery cartridge with the groove in the housing and slip it into place. Insert it all the way until it locks in place with a little click. If you can see the red indicator on the upper side of the button, it is not locked completely.

CAUTION: Always install the battery cartridge fully until the red indicator cannot be seen. If not, it may accidentally fall out of the tool, causing injury to you or someone around you.

CAUTION: Do not install the battery cartridge forcibly. If the cartridge does not slide in easily, it is not being inserted correctly.

Tool / battery protection system

The tool is equipped with a tool/battery protection system. This system automatically cuts off power to the motor to extend tool and battery life. The tool will automatically stop during operation if the tool or battery are placed under one of the following conditions. In some conditions, the indication lamp lights up.



► 1. Indication lamp

Overload protection

When the tool is operated in a manner that causes it to draw an abnormally high current, the tool stops automatically and the indicator blinks for about 60 seconds. In this situation, turn the tool off and stop the application that caused the tool to become overloaded. Then turn the tool on to restart.

Overheat protection

When the tool/battery is overheated, the tool stops automatically and the battery indicator lights up for about 60 seconds. The tool does not start even if you turn the tool on. In this situation, let the battery cool before turning the tool on again.

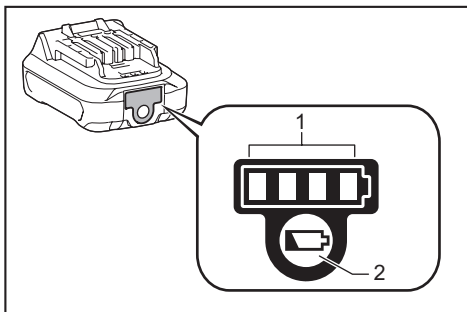
Overdischarge protection

When the remaining battery capacity gets low, the indicator blinks. By further use, the tool stops and the indicator lights up for about 60 seconds. If you turn the tool on, the motor runs again but stops soon. In this situation, charge the battery cartridge.

NOTE: The timing, at which the lamp lights up, depends on the temperature at work place and the battery cartridge conditions.

Indicating the remaining battery capacity

Only for battery cartridges with the indicator



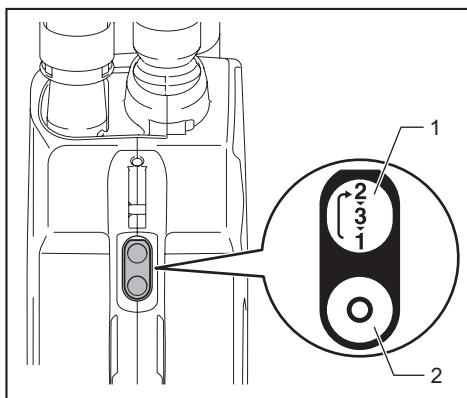
► 1. Indicator lamps 2. Check button

Press the check button on the battery cartridge to indicate the remaining battery capacity. The indicator lamps light up for a few seconds.

Indicator lamps		Remaining capacity
Lighted	Off	
■ ■ ■ ■		75% to 100%
■ ■ ■ □		50% to 75%
■ ■ □ □		25% to 50%
■ □ □ □		0% to 25%

NOTE: Depending on the conditions of use and the ambient temperature, the indication may differ slightly from the actual capacity.

Switch action



► 1. ON/speed change button 2. OFF button

To start the cleaner, simply push the ON/speed change button. To switch off, push the OFF button. You can change the cleaner speed in three steps by pushing the ON/speed change button.

The first push on this button is for high speed mode, the second push for max speed mode and the third push for normal speed mode. Each push on this button repeats the high/max/normal speed cycle alternatively.

ASSEMBLY

CAUTION: Always be sure that the tool is switched off and the battery cartridge is removed before carrying out any work on the tool.

Dust bag and paper filter

Install either dust bag or paper filter before using cleaner. Use the dust stopper when installing either dust bag or paper filter.

Dust bag are usable many times repeatedly by cleaning it out.

Paper filter is a throw-away type. Throw away the entire paper filter without emptying when it has become full.

NOTICE: To prevent dust from getting into the motor:

- Make sure that the dust bag or paper filter is installed before use.
- Insert the dust stopper together with the dust bag or paper filter all the way into the slots when installing them.
- Do not use a broken or ripped bag.

Otherwise the motor may be broken.

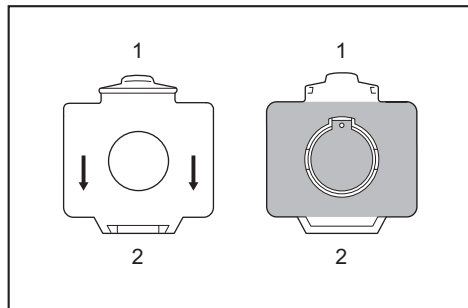
NOTICE: Do not fold the cardboard at its opening when installing the paper filter.

NOTICE: Never throw away the dust stopper because it needs to be used repeatedly whenever either the dust bag or the paper filter is used.

NOTICE: The paper filter for the cleaner is an important component for maintaining the tool performance. Using other than the genuine paper filter may cause smokes or ignition.

Installing dust bag

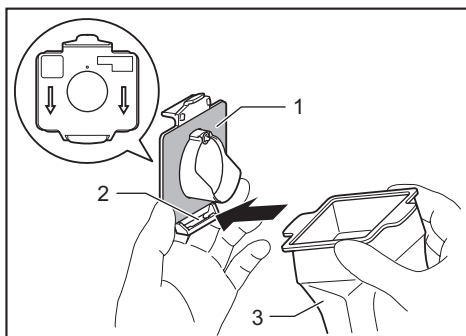
Use the dust stopper when installing dust bag. Be careful not to take the upper side for the lower side by mistake because they are different each other.



► 1. Upper side of the dust stopper 2. Lower side of the dust stopper

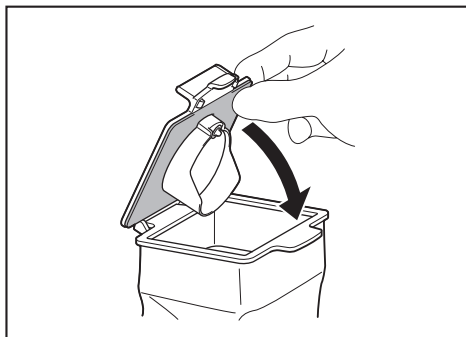
1. Insert the protrusion of the dust bag into the groove on the dust stopper as shown in the figure.

The dust bag does not have distinction between the upper and lower sides. You can insert its protrusion of either side into the groove of the dust stopper.

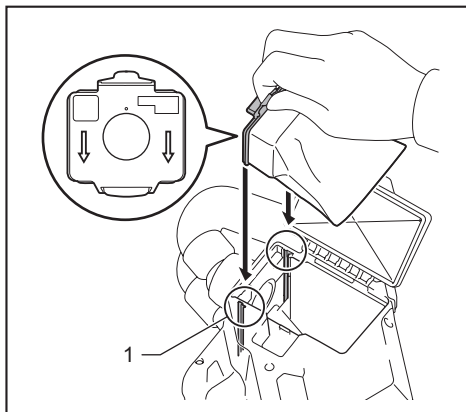


► 1. Dust stopper 2. Groove 3. Dust bag

2. Overlap the frame of dust stopper with that of the dust bag.

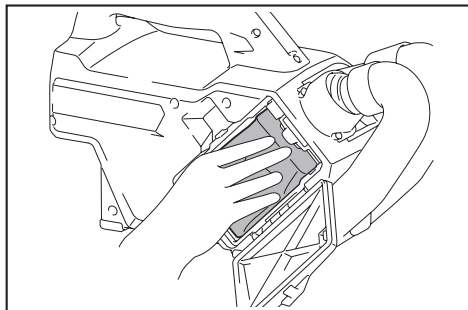


3. Place the dust stopper and the dust bag together into the cleaner cavity in the same direction of arrow on the dust stopper. Insert them all the way into the slots in the cleaner cavity.

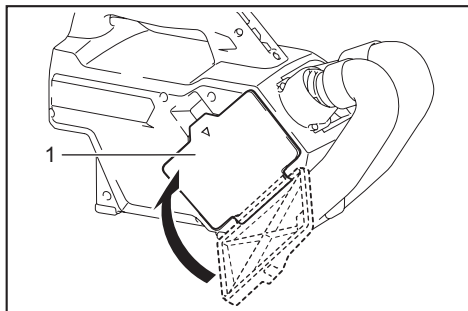


► 1. Slot

- Place the entire cloth part of the dust bag inside the cleaner itself.



- Close the dust case cover completely.

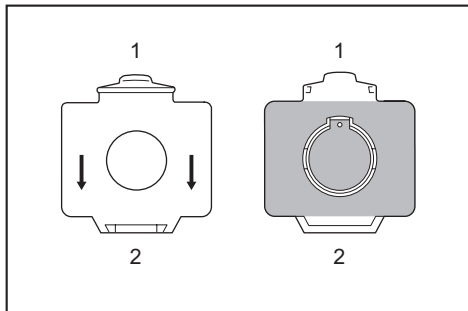


- 1. Dust case cover

NOTE: When the dust bag is not installed in the cleaner, the dust case cover does not close completely.

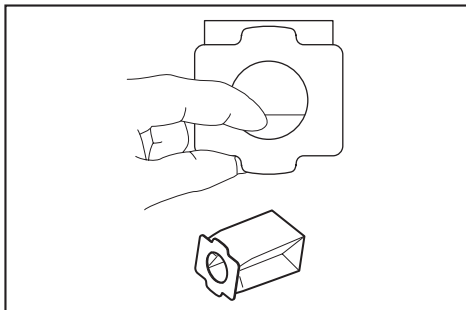
Installing the paper filter

Use the dust stopper also when installing paper filter. Be careful not to take the upper side for the lower side by mistake because they are different each other.



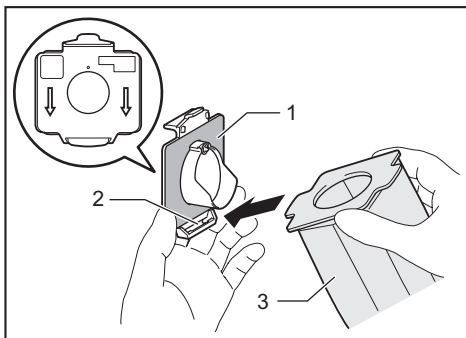
- 1. Upper side of the dust stopper 2. Lower side of the dust stopper

- Unfold the entrance of the paper filter before setting it on the dust stopper.



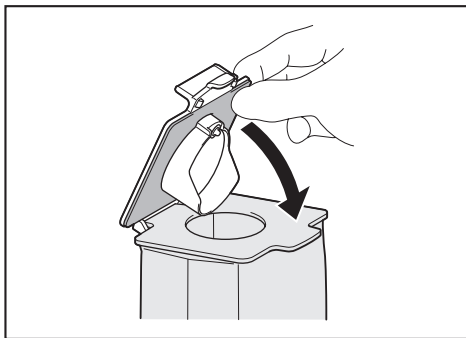
- Insert the protrusion of the paper filter into the groove on the dust stopper as shown in the figure.

The paper filter does not have distinction between the upper and lower sides. You can insert its protrusion of either side into the groove of the dust stopper.

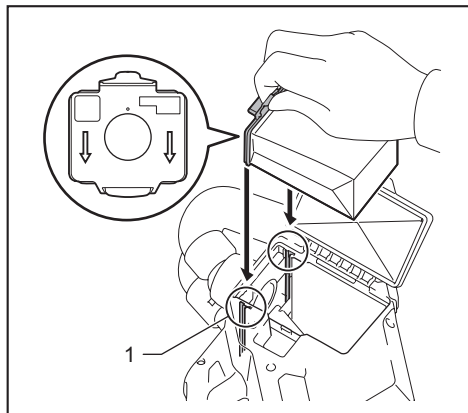


- 1. Dust stopper 2. Groove 3. Paper filter

- Overlap the frame of dust stopper with that of the paper filter.

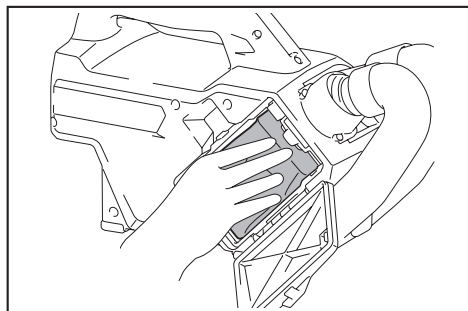


4. Place the dust stopper and the paper filter together into the cleaner cavity in the same direction of arrow on the dust stopper. Insert them all the way into the slots in the cleaner cavity.

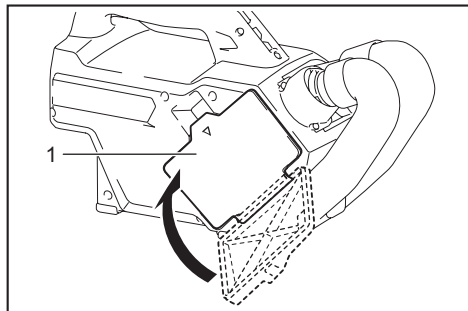


- 1. Slot

5. Place the entire container part of the paper filter inside the tool itself.



6. Close the dust case cover completely.



- 1. Dust case cover

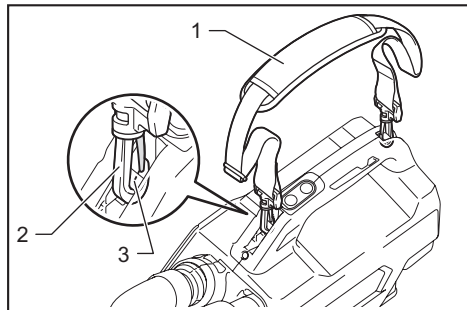
NOTE: When the paper filter is not installed in the cleaner, the dust case cover does not close completely.

Installing the shoulder strap

CAUTION: Be careful not to get the shoulder strap caught by objects in your surroundings.

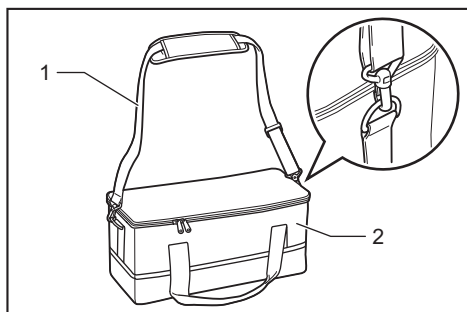
CAUTION: Be careful not to slip the shoulder strap off from your shoulder when using the cleaner. For stable handling of the cleaner, it is recommended to wear the shoulder strap crossed in front of your chest.

Attach the hooks of the shoulder strap onto the mounts of the cleaner as shown in the figure.



- 1. Shoulder strap 2. Hook 3. Mount

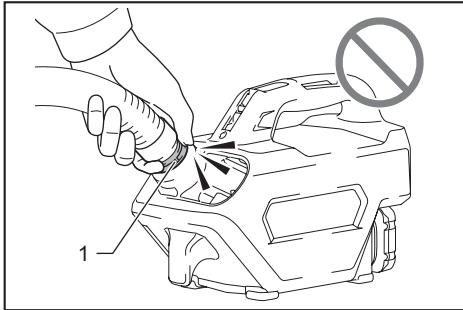
NOTE: You can also attach the shoulder strap to the soft bag (optional accessory) as illustrated.



OPERATION

⚠ CAUTION: Always hold the handle when carrying the cleaner. If you hold the attachment part to carry, it may come off from the cleaner and result in personal injury.

⚠ CAUTION: Do not grasp the hose joint as shown in the figure. Holding the hose joint may get your finger pinched.



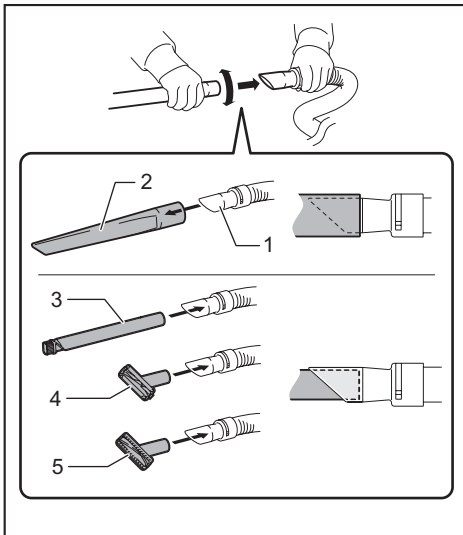
► 1. Hose joint

Using as a vacuum cleaner

NOTE: Remove the blower attachment before vacuum cleaning. If the blower attachment is attached to the cleaner, the suction power will be reduced.

Installing or removing the cleaner attachment

To connect an attachment such as a nozzle, twist and insert it securely to the hose. To disconnect, twist and remove it. The way of installation varies depending on the nozzles as illustrated.

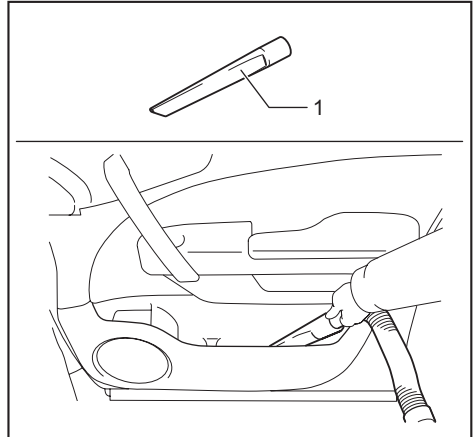


► 1. Hose 2. Rubber nozzle 3. Soft brush 4. Seat nozzle 5. Mat nozzle

Vacuum cleaning

Rubber nozzle

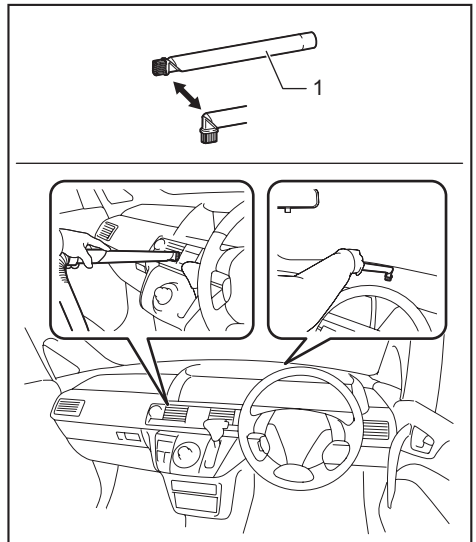
This nozzle is convenient for cleaning bottom corners such as a door pocket. The rubber nozzle is gentle to the cleaning surface.



► 1. Rubber nozzle

Soft brush

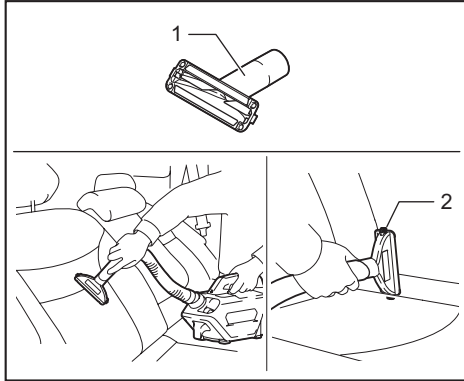
This nozzle is convenient for cleaning the air conditioner vents, dashboard, etc. The head of the soft brush can be turned to right angle.



► 1. Soft brush

Seat nozzle

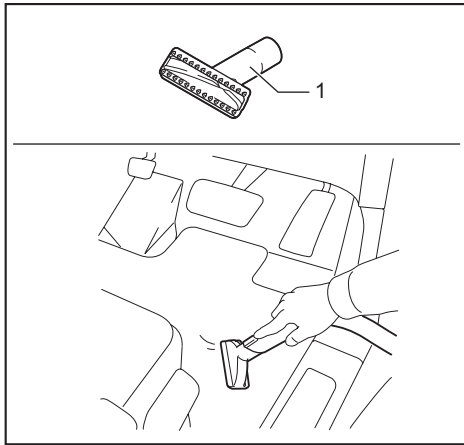
This nozzle has lint brush to clean the seat surface. The side brush on the nozzle is useful for raking dust out of the seams.



► 1. Seat nozzle 2. Side brush

Mat nozzle

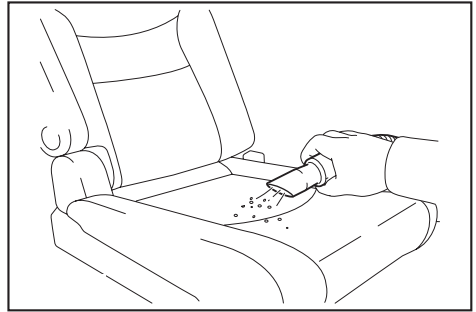
This nozzle is used for cleaning the floor mat and carpet. The teeth on the nozzle help raking out sand grains.



► 1. Mat nozzle

Cleaning without nozzle

You can perform vacuum cleaning without the nozzle.



Disposing of dust

CAUTION: Empty the dust bag or replace the paper filter before it becomes full. If not, the suction force weakens.

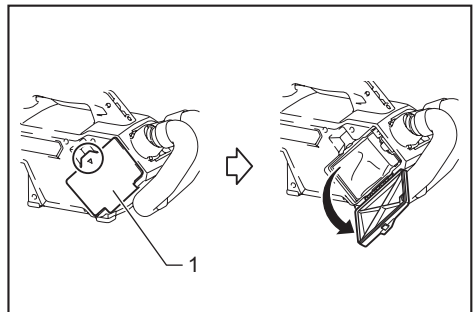
CAUTION: When closing the dust case cover, be careful not to pinch your fingers.

NOTICE: Never throw away the dust stopper because it should be used whenever either the dust bag or the paper filter is used.

NOTICE: When the dust bag/paper filter is not inside of the cleaner, the dust case cover does not close completely. Do not force to close the dust case cover. It may result in deforming or breakage of the tool.

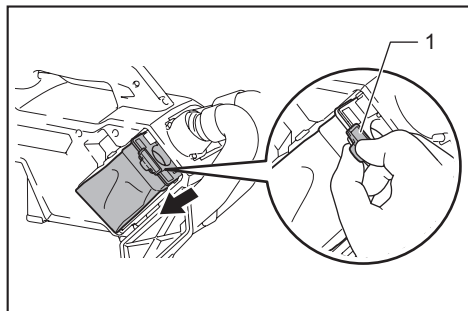
NOTICE: When disposing of dust, also clean the room for the dust bag/paper filter. The remaining dust and dirt in the room may cause the sponge filter to be clogged or the motor to be damaged.

1. Open the dust case cover.



► 1. Dust case cover

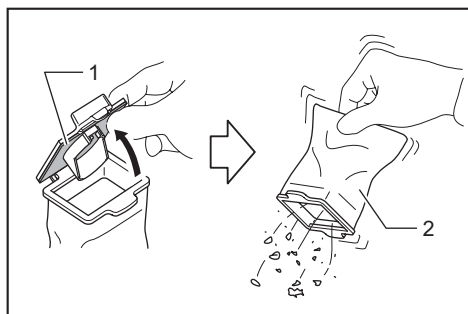
2. Pull out both the orange-colored dust stopper and dust bag/paper filter together at the same time.



► 1. Dust stopper

3. When using the dust bag

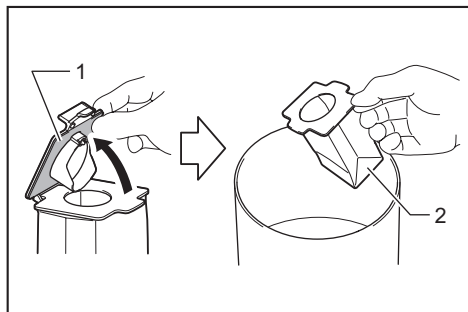
Remove the dust stopper and empty the dust bag.



► 1. Dust stopper 2. Dust bag

When using the paper filter

Remove the dust stopper and dispose of the paper filter.



► 1. Dust stopper 2. Paper filter

4. Place the dust bag/new paper filter and dust stopper together into the cleaner and close the dust case cover.

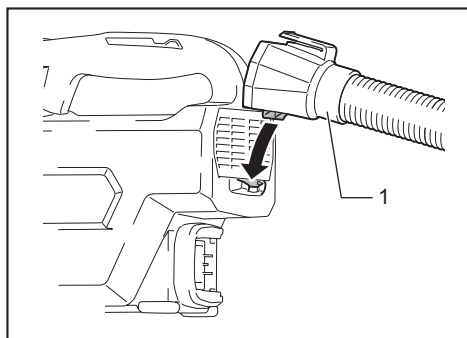
Using as a blower

CAUTION: Never point the nozzle at anyone in the vicinity.

CAUTION: Do not use the cleaner for blowing air into objects, like rubber rafting, balls or other inflatable products. Increased motor revolution may cause dangerous fan breakage.

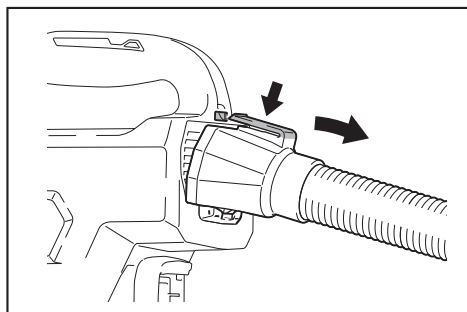
Installing or removing the blower attachment

To attach the blower attachment, align the protrusion of the blower attachment port with the groove on the vent, and then push it until clicks.



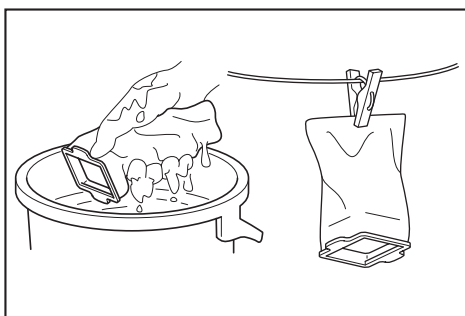
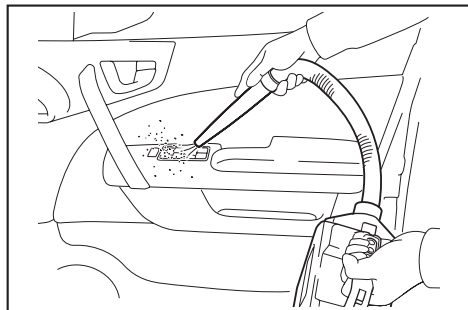
► 1. Blower attachment

To remove the blower attachment, pull the port downward while pressing its top as illustrated.



Blowing

Point the tip of blower attachment to the object to blow off and then turn on the tool.



NOTE: Paper filter is a throw-away type.

When the sponge filter is clogged with dust, remove it from the cleaner and then wipe it off or wash in water.

MAINTENANCE

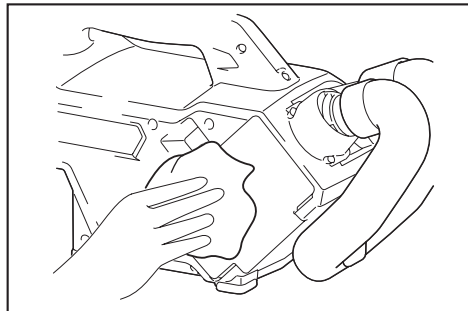
CAUTION: Always be sure that the tool is switched off and the battery cartridge is removed before attempting to perform inspection or maintenance.

NOTICE: Never use gasoline, benzene, thinner, alcohol or the like. Discoloration, deformation or cracks may result.

To maintain product SAFETY and RELIABILITY, repairs, any other maintenance or adjustment should be performed by Makita Authorized or Factory Service Centers, always using Makita replacement parts.

Cleaning

From time to time wipe off the outside (cleaner body) of the cleaner using a cloth dampened in soapy water. Clean out also the suction opening, dust bag/paper filter mounting area and the dust stopper.

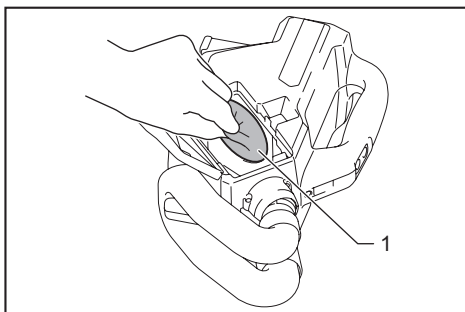


Wash the dust bag in soapy water when it is clogged with dust and the cleaner power becomes weak. Dry it out thoroughly before use. An insufficiently dried filter may cause poor suction and shorten the service life of the motor.

Removing and installing the sponge filter

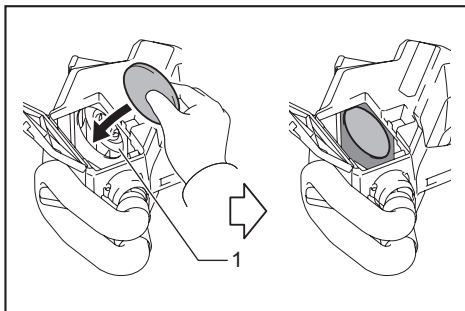
CAUTION: After cleaning sponge filter, be sure to install it on the cleaner. If washed in water, dry it up before installing. An insufficiently dried sponge filter may shorten the service life of the motor.

To remove the sponge filter, remove the dust bag or paper filter and then pinch and take it out.



► 1. Sponge filter

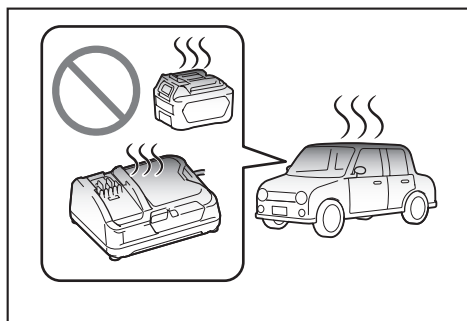
Press in the whole edge of the sponge filter against the recessed wall inside the dust bag/paper filter mounting area.



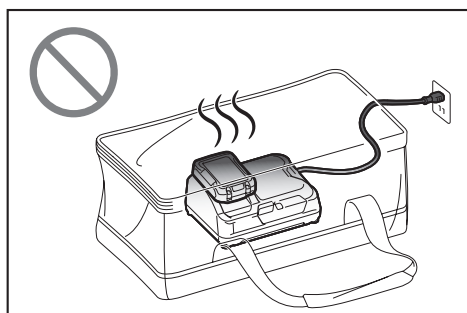
► 1. Recessed wall

Storage

⚠ WARNING: Never leave the battery cartridge and charger in a car. The temperature inside a car sitting in the sun may exceed 50 °C (122 °F). It may cause the battery cartridge deteriorated and result in liquid ejection, smoke emission or a fire.



⚠ WARNING: Never use the charger in a storage bag. Blocking the air vent may result in smoking emission or a fire.

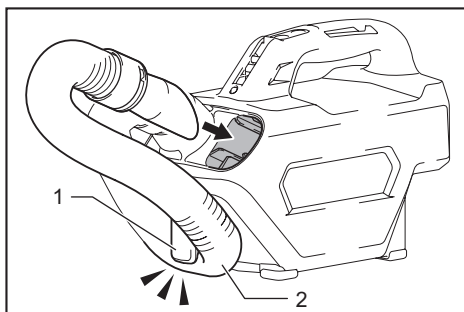


⚠ WARNING: Never charge the battery cartridge with on-vehicle inverter. It may cause abnormal heat and result in a fire.

⚠ WARNING: Never charge the battery cartridge in a car. If the battery cartridge is exposed to the temperature range out of 10°C (50 °F) - 40°C (104 °F), it may generate heat and/or fire or explode.

⚠ CAUTION: Always store the hose as illustrated to avoid tripping, when the cleaner is not used.

Unfolded hose may catch your foot and cause personal injury.



► 1. Hook 2. Hose

Troubleshooting

Before asking for repairs, check the following points.

Symptom	Area to be investigated	Fixing method
Weak suction power	Is dust bag or paper filter full of dust ?	Empty dust bag or paper filter.
	Is dust bag clogged ?	Dust down or wash the dust bag.
	Is paper filter clogged ?	Replace paper filter.
	Is the battery cartridge exhausted ?	Charge the battery cartridge.
Not working	Is the battery cartridge exhausted ?	Charge the battery cartridge.
Dust case cover does not close	Is dust bag or paper filter set ?	Set dust bag or paper filter.

NOTE: Do not attempt to repair cleaner by yourself.

OPTIONAL ACCESSORIES

⚠ CAUTION: These accessories or attachments are recommended for use with your Makita tool specified in this manual. The use of any other accessories or attachments might present a risk of injury to persons. Only use accessory or attachment for its stated purpose.

If you need any assistance for more details regarding these accessories, ask your local Makita Service Center.

- Extension wand (Straight pipe)
- Nozzle
- Nozzle for carpet
- Shelf brush
- Corner nozzle
- Round brush
- Flexible hose
- Paper filter
- Free nozzle
- Seat nozzle
- Crevice nozzle
- Cyclone attachment
- Dust bag
- High performance dust bag
- Soft bag
- Makita genuine battery and charger

NOTE: Some items in the list may be included in the tool package as standard accessories. They may differ from country to country.

MAKITA LIMITED WARRANTY

Please refer to the annexed warranty sheet for the most current warranty terms applicable to this product. If annexed warranty sheet is not available, refer to the warranty details set forth at below website for your respective country.

United States of America: www.makitatools.com

Canada: www.makita.ca

Other countries: www.makita.com

ESPECIFICACIONES

Modelo:		LC09
Capacidad	con una bolsa recolectora de polvo	500 ml
	con un filtro de papel	330 ml
Uso continuo (con batería BL1016)	1 (Modo velocidad normal)	Aprox. 25 min.
	2 (Modo velocidad alta)	Aprox. 12 min.
	3 (Modo velocidad máxima)	Aprox. 10 min.
Longitud total (con batería BL1016)		345 mm (13-5/8")
Tensión nominal		10,8 V c.c. - 12 V c.c. máx.
Peso neto		1,7 kg - 1,8 kg (3,7 lbs - 4,0 lbs)

- Debido a nuestro continuo programa de investigación y desarrollo, las especificaciones aquí incluidas están sujetas a cambio sin previo aviso.
- Las especificaciones pueden variar de país a país.
- El peso incluye el o los cartuchos de batería, pero no los accesorios. La combinación de menor y mayor peso del aparato y del o los cartuchos de batería se muestra en la tabla.

Cartucho de batería y cargador aplicables

Cartucho de batería	BL1016 / BL1021B / BL1041B
Cargador	DC10SB / DC10WD / DC18RE

- Algunos de los cartuchos de batería y cargadores enumerados arriba podrían no estar disponibles dependiendo de su área de residencia.

⚠ADVERTENCIA: Use únicamente los cartuchos de batería y los cargadores indicados arriba. El uso de cualquier otro cartucho de batería y cargador podría ocasionar una lesión y/o un incendio.

ADVERTENCIAS DE SEGURIDAD

INSTRUCCIONES IMPORTANTES DE SEGURIDAD

Al usar cualquier aparato eléctrico, siempre deben seguirse las precauciones básicas, incluyendo las siguientes:

GUARDE ESTAS INSTRUCCIONES.

ADVERTENCIA

Para reducir el riesgo de incendio, descarga eléctrica o lesión:

1. No deje el aparato con la batería puesta. Retire la batería del aparato cuando no lo vaya a utilizar y antes de dar servicio de mantenimiento.
2. No lo utilice sobre superficies húmedas. No lo exponga a la lluvia. Almacénelo en interiores.
3. No permita que sea utilizado como un juguete. Supervise de cerca cuando lo utilicen niños o se utilice cerca de ellos.
4. Utilícelo solamente como se describe en este manual. Sólo use aditamentos recomendados por el fabricante.
5. No lo utilice con una batería dañada. Si el aparato no está funcionando como debiera, se ha dejado caer, se ha dañado, se ha dejado a la intemperie o ha caído sobre agua, llévelo a un centro de servicio.

6. **No manipule el aparato con las manos mojadas.**
7. **No introduzca ningún objeto en las aberturas. No lo utilice con ninguna abertura bloqueada; manténgalo libre de polvo, pelusa, cabello y cualquier objeto que pueda reducir el flujo de aire.**
8. **Mantenga el cabello, la ropa holgada, los dedos y todas las partes del cuerpo lejos de las aberturas y piezas móviles.**
9. **Apague todos los controles antes de retirar el cartucho de batería.**
10. **Tenga especial cuidado cuando limpie en escaleras.**
11. **No lo utilice para recoger líquidos inflamables o combustibles, tal como gasolina, ni en áreas donde puedan estar presentes.**
12. **No recoja nada que se esté quemando o desprenda humo, tal como cigarrillos, fósforos o cenizas calientes.**
13. **No lo utilice sin la bolsa recolectora de polvo y/o los filtros colocados en su lugar.**
14. **No cargue la batería en exteriores.**
15. **Evite una puesta en marcha accidental. Asegúrese de que el interruptor esté en la posición apagada antes de conectar el paquete de baterías, levantar el aparato o cargarlo. Cargar el aparato con su dedo en el interruptor o pasar energía al aparato con el interruptor encendido puede propiciar accidentes.**
16. **Desconecte el paquete de baterías del aparato antes de hacer cualquier ajuste, cambiar accesorios o almacenar el aparato. Estas medidas de seguridad preventivas reducen el riesgo de poner en marcha el aparato accidentalmente.**
17. **Recargue sólo con el cargador especificado por el fabricante. Un cargador que es adecuado para un solo tipo de paquete de baterías puede generar riesgo de incendio al ser utilizado con otro paquete de baterías.**
18. **Use los aparatos únicamente con los paquetes de baterías designados específicamente para ellos. El uso de otros paquetes de baterías puede generar riesgo de lesiones e incendio.**
19. **Cuando no se esté usando el paquete de baterías, guárdelo lejos de otros objetos metálicos tales como sujetapapeles (clips), monedas, llaves, clavos, tornillos u otros objetos metálicos pequeños que puedan crear una conexión entre una terminal y otra. Ocasionar un cortocircuito en las terminales de la batería puede provocar quemaduras o incendios.**
20. **En condiciones de mal uso, podría escapar líquido de la batería; evite tocarlo. Si lo toca accidentalmente, enjuague con agua. Si el líquido entra en contacto con los ojos, solicite adicionalmente atención médica. El líquido expulsado de la batería puede causar irritación o quemaduras.**
21. **No utilice un paquete de baterías o aparato que esté dañado o haya sido modificado. Las baterías dañadas o modificadas podrían comportarse de manera impredecible causando un incendio, explosión o riesgo de lesión.**
22. **No exponga un paquete de baterías o aparato al fuego o a una temperatura excesiva. La exposición al fuego a una temperatura superior a 130 °C podría causar una explosión.**
23. **Siga todas las instrucciones relativas a la carga y no cargue el paquete de baterías o el aparato fuera del rango de temperatura especificado en las instrucciones. Cargar de manera inapropiada o a temperaturas fuera del rango especificado podría dañar la batería e incrementar el riesgo de incendio.**
24. **Pida que el servicio lo realice un técnico en reparaciones calificado y que utilice únicamente piezas de repuesto idénticas a las originales. Esto garantizará que se mantenga la seguridad del producto.**
25. **No modifique ni intente reparar el aparato ni el paquete de baterías salvo como se indique en las instrucciones para el uso y cuidado.**

GUARDE ESTAS INSTRUCCIONES.

REGLAS DE SEGURIDAD ADICIONALES

Este aparato está diseñado para un uso doméstico solamente.

1. Lea cuidadosamente este manual de instrucciones y el manual de instrucciones del cargador antes de usar el aparato.
2. No aspire los siguientes elementos:
 - Líquidos inflamables (queroseno, gasolina, disolventes como bencina, diluyentes, etc.)
 - Sustancias calientes que están ardiendo o echando humo (cigarrillos, cerillas, palitos de incienso, velas, cenizas calientes), chispas y polvo metálico generados por el corte o el lijado de metales, etc.
 - Materiales inflamables (tónor, pinturas, aerosoles, etc.)
 - Espumas, como limpiadores de alfombras, etc. (pueden causar explosiones o incendios)
 - Sustancias explosivas o pirofóricas (nitroglicerina, aluminio, magnesio, titanio, zinc, fósforo rojo, fósforo amarillo, celuloide, etc., y su polvo, gases o vapores)
 - Objetos afilados (cristal, cubiertos, astillas de madera, metales, piedras, clavos, cuchillas, tachuelas, etc.)
 - Polvo fino conductor y solidificante (polvo metálico o de carbono)
 - Deshumidificador
 - Grandes cantidades de polvo (harina, polvo de extintor de incendios, etc.)
 - Sustancias que causan síntomas tóxicos
 - Productos químicos agresivos (ácidos, lixiviados, etc.)
 - Basura líquida o húmeda, incluyendo vómitos y heces
 - Asbesto
 - Pesticidas
3. Detenga la operación de inmediato si nota algo anormal.
4. Si deja caer o golpea la aspiradora, verifique cuidadosamente si hay grietas o daños antes de la operación.
5. No la acerque a estufas ni a otras fuentes de calor.
6. No obstruya el orificio de flujo de entrada ni los orificios de ventilación.
7. Este aparato no se destina para utilizarse por personas (incluyendo niños) cuyas capacidades físicas, sensoriales o mentales sean diferentes o estén reducidas o carezcan de experiencia o de conocimiento, a menos que dichas personas reciban una supervisión o capacitación para el funcionamiento del aparato por una persona responsable de su seguridad.
8. Los niños deben supervisarse para asegurar que ellos no empleen los aparatos como juguete.

Tal acción podría ocasionar un incendio, lesiones y/o daños materiales.

Para reducir la exposición a estas sustancias químicas, utilice un equipo de protección respiratoria aprobado, tal como las máscaras contra polvo que están especialmente diseñadas para filtrar partículas microscópicas. No apunte la salida de aire a la cara y al cuerpo.

3. Detenga la operación de inmediato si nota algo anormal.
4. Si deja caer o golpea la aspiradora, verifique cuidadosamente si hay grietas o daños antes de la operación.
5. No la acerque a estufas ni a otras fuentes de calor.
6. No obstruya el orificio de flujo de entrada ni los orificios de ventilación.
7. Este aparato no se destina para utilizarse por personas (incluyendo niños) cuyas capacidades físicas, sensoriales o mentales sean diferentes o estén reducidas o carezcan de experiencia o de conocimiento, a menos que dichas personas reciban una supervisión o capacitación para el funcionamiento del aparato por una persona responsable de su seguridad.
8. Los niños deben supervisarse para asegurar que ellos no empleen los aparatos como juguete.

GUARDE ESTAS INSTRUCCIONES.

Símbolos

A continuación se muestran los símbolos utilizados para la herramienta.

v	volts o voltios
— — —	corriente directa o continua

Instrucciones importantes de seguridad para el cartucho de batería

1. Antes de utilizar el cartucho de batería, lea todas las instrucciones e indicaciones de precaución en el (1) el cargador de batería, (2) la batería, y (3) el producto con el que se utiliza la batería.
2. No desarme el cartucho de batería.
3. Si el tiempo de operación se ha acortado en exceso, deje de operar de inmediato. Podría correrse el riesgo de sobrecalentamiento, posibles quemaduras e incluso explosión.
4. En caso de que ingresen electrolitos en sus ojos, enjuáguelos bien con agua limpia y consulte de inmediato a un médico. Esto podría ocasionar pérdida de visión.
5. Evite cortocircuitar el cartucho de batería:
 - (1) No toque las terminales con ningún material conductor.
 - (2) Evite guardar el cartucho de batería en un cajón junto con otros objetos metálicos, tales como clavos, monedas, etc.
 - (3) No exponga el cartucho de batería al agua o la lluvia.

Un cortocircuito en la batería puede causar un flujo grande de corriente, sobrecalentamiento, posibles quemaduras e incluso una descompostura.
6. No guarde la herramienta ni el cartucho de batería en lugares donde la temperatura pueda alcanzar o exceder los 50°C (122°F).
7. Nunca incinere el cartucho de batería incluso en el caso de que esté dañado seriamente o ya no sirva en absoluto. El cartucho de batería puede explotar si se tira al fuego.
8. Tenga cuidado de no dejar caer ni golpear la batería.
9. No use una batería dañada.

10. Las baterías de ión de litio están sujetas a los requisitos reglamentarios en materia de bienes peligrosos.

Para el transporte comercial, por ej., mediante terceros o agentes de transporte, se deben tomar en cuenta los requisitos especiales relativos al empaque y el etiquetado. Para efectuar los preparativos del artículo que se va a enviar, se requiere consultar a un experto en materiales peligrosos. Si es posible, consulte además otras regulaciones nacionales más detalladas.

Pegue o cubra con cinta adhesiva los contactos abiertos y empaque la batería de manera que ésta no pueda moverse dentro del paquete.
11. Siga las regulaciones locales relacionadas al desecho de las baterías.
12. Utilice las baterías únicamente con los productos especificados por Makita. Instalar las baterías en productos que no cumplen con los requisitos podría ocasionar un incendio, un calentamiento excesivo, una explosión o una fuga de electrolito.

GUARDE ESTAS INSTRUCCIONES.

⚠PRECAUCIÓN: Utilice únicamente baterías originales de Makita. El uso de baterías no originales de Makita, o de baterías alteradas, puede ocasionar que las baterías exploten causando un incendio, lesiones personales y daños. Asimismo, esto invalidará la garantía de Makita para la herramienta y el cargador Makita.

Consejos para alargar al máximo la vida útil de la batería

1. Cargue el cartucho de batería antes de que se descargue completamente. Pare siempre la operación y cargue el cartucho de batería cuando note menos potencia en la herramienta.
2. No cargue nunca un cartucho de batería que esté completamente cargado. La sobrecarga acortará la vida de servicio de la batería.
3. Cargue el cartucho de batería a una temperatura ambiente de 10 °C - 40 °C (50 °F - 104 °F). Si un cartucho de batería está caliente, déjelo enfriar antes de cargarlo.

DESCRIPCIÓN DEL FUNCIONAMIENTO

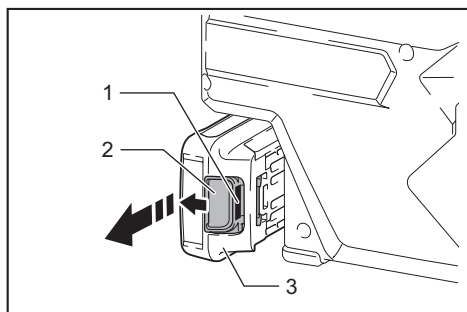
⚠️ PRECAUCIÓN: Asegúrese siempre de que la herramienta esté apagada y el cartucho de batería haya sido extraído antes de realizar cualquier ajuste o comprobación en la herramienta.

⚠️ PRECAUCIÓN: Tenga cuidado de que su(s) dedo(s) no quede(n) atrapado(s) entre la aspiradora y la batería, al momento de colocar la batería. Si su(s) dedo(s) quedara(n) atrapado(s) podría(n) resultar lesionado(s).

Instalación o extracción del cartucho de batería

⚠️ PRECAUCIÓN: Apague siempre la herramienta antes de colocar o quitar el cartucho de batería.

⚠️ PRECAUCIÓN: Sujete la herramienta y el cartucho de la batería con firmeza al colocar o quitar el cartucho de batería. Si no se sujeta con firmeza la herramienta y el cartucho de batería, puede ocasionar que se resbalen de sus manos causando daños a la herramienta y al cartucho de batería, así como lesiones a la persona.



► 1. Indicador rojo 2. Botón 3. Cartucho de batería

Para quitar el cartucho de batería, deslícelo de la herramienta mientras desliza el botón sobre la parte delantera del cartucho.

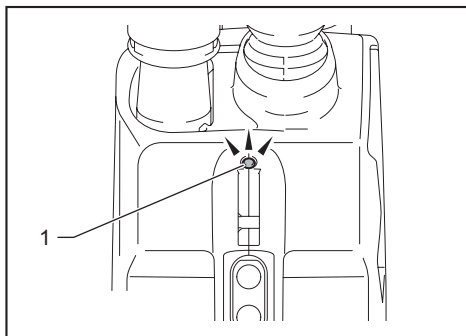
Para colocar el cartucho de batería, alinee la lengüeta sobre el cartucho de batería con la ranura en la carcasa y deslice en su lugar. Inserte por completo hasta que se fije en su lugar con un pequeño clic. Si puede ver el indicador rojo del lado superior del botón, esto indica que no ha quedado fijo por completo.

⚠️ PRECAUCIÓN: Introduzca siempre completamente el cartucho de batería hasta que el indicador rojo no pueda verse. Si no, podría accidentalmente salirse de la herramienta y caer al suelo causando una lesión a usted o alguien a su alrededor.

⚠️ PRECAUCIÓN: No instale el cartucho de batería a la fuerza. Si el cartucho no se desliza al interior fácilmente, se debe a que no está siendo insertado correctamente.

Sistema de protección de la herramienta / batería

La herramienta está equipada con un sistema de protección de la herramienta / batería. Este sistema corta en forma automática el suministro de energía al motor para prolongar la vida útil de la herramienta y batería. La herramienta se detendrá automáticamente durante la operación si la herramienta o la batería se someten a una de las siguientes condiciones. En algunas condiciones, la luz indicadora se enciende.



► 1. Luz indicadora

Protección contra sobrecarga

Cuando la herramienta está siendo operada de manera que ocasiona el consumo de una cantidad de corriente inusualmente alta, la herramienta se detendrá automáticamente y la luz indicadora parpadeará por alrededor de 60 segundos. En este caso, apague la herramienta y detenga la aplicación que causó que la herramienta se sobrecargara. Luego encienda la herramienta para reiniciarla.

Protección contra sobrecalentamiento

Cuando la herramienta/batería se sobrecalienten, la herramienta se detendrá automáticamente y el indicador de batería se encenderá alrededor de 60 segundos. La herramienta no arranca aunque la encienda. En este caso, permita que la batería se enfríe antes de volver a encender la herramienta.

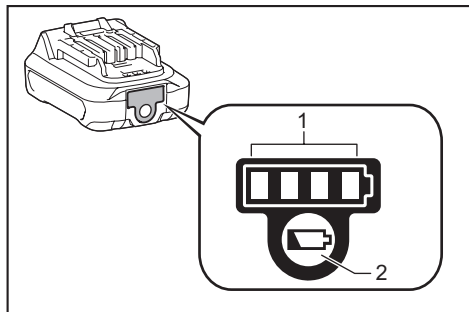
Protección contra la sobredescarga

Cuando la capacidad restante de la batería esté baja, el indicador comenzará a parpadear. Si se utiliza aun más, la herramienta se detendrá y el indicador se encenderá alrededor de 60 segundos. Si enciende la herramienta, el motor volverá a funcionar pero se detendrá al poco tiempo. En esta situación, cargue el cartucho de batería.

NOTA: El momento en el que la lámpara se encienda dependerá de la temperatura en el lugar de trabajo y de las condiciones del cartucho de batería.

Indicación de la capacidad restante de la batería

Únicamente para cartuchos de batería con el indicador



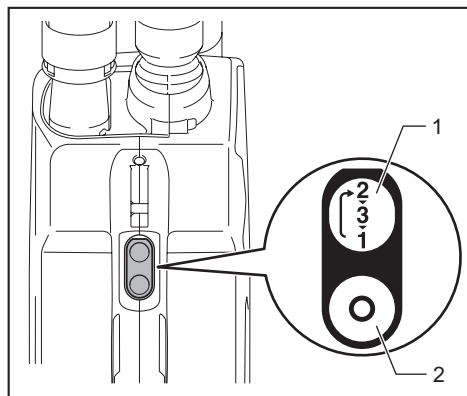
► 1. Luces indicadoras 2. Botón de verificación

Oprima el botón de verificación en el cartucho de la batería para que indique la capacidad restante de la batería. Las luces indicadoras se iluminarán por algunos segundos.

Luces indicadoras		Capacidad restante
Iluminadas	Apagado	
■ ■ ■ ■	□	75% a 100%
■ ■ ■ □	□	50% a 75%
■ ■ □ □	□ □	25% a 50%
■ □ □ □	□ □ □ □	0% a 25%

NOTA: Dependiendo de las condiciones de uso y la temperatura ambiente, la indicación podrá diferir ligeramente de la capacidad real.

Accionamiento del interruptor



► 1. Botón de encendido/cambio de velocidad
2. Botón de apagado

Para poner en marcha la aspiradora, simplemente oprima el botón de encendido/cambio de velocidad. Para apagarla, oprima el botón de apagado.

Puede cambiar la velocidad de la aspiradora en tres pasos oprimiendo el botón de encendido/cambio de velocidad.

Si oprime el botón una vez elegirá el modo velocidad alta, si lo oprime dos veces elegirá el modo velocidad máx. y si lo oprime tres veces elegirá la velocidad normal. Cada vez que oprima este botón se repetirá el ciclo de velocidad alta/máx./normal de manera alternativa.

MONTAJE

⚠PRECAUCIÓN: Asegúrese siempre de que la herramienta esté apagada y el cartucho de batería haya sido extraído antes de realizar cualquier trabajo en la misma.

Bolsa recolectora de polvo y filtro de papel

Instale ya sea una bolsa recolectora de polvo o un filtro de papel antes de utilizar la aspiradora.

Utilice el tope para el polvo cuando instale ya sea la bolsa recolectora de polvo o el filtro de papel.

La bolsa recolectora de polvo se puede utilizar varias veces, de manera repetida, si ésta se limpia.

El filtro de papel es de tipo desechable. Deseche por completo el filtro de papel, sin vaciarlo, cuando éste se haya llenado.

AVISO: Para evitar que el polvo se introduzca en el motor:

- Asegúrese de instalar la bolsa recolectora de polvo o el filtro de papel antes de utilizar la aspiradora.
- Instale de manera conjunta el tope para el polvo y la bolsa recolectora de polvo o el filtro de papel e insértelos por completo en las ranuras.
- No utilice una bolsa rota o rasgada.

De lo contrario, el motor podría averiarse.

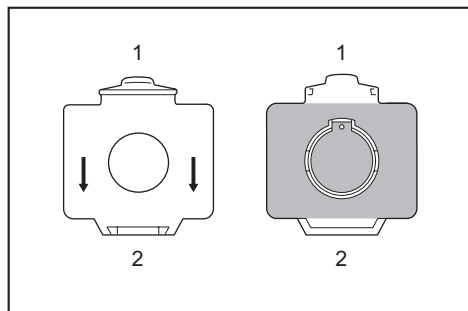
AVISO: No doble el cartón en su abertura cuando instale el filtro de papel.

AVISO: Nunca deseche el tope para el polvo ya que éste deberá utilizarse repetidamente cuando se utilice ya sea la bolsa recolectora de polvo o el filtro de papel.

AVISO: El filtro de papel de la aspiradora es un componente importante para mantener el buen desempeño de la herramienta. El utilizar un filtro de papel no original puede ocasionar humo o ignición.

Instalación de la bolsa recolectora de polvo

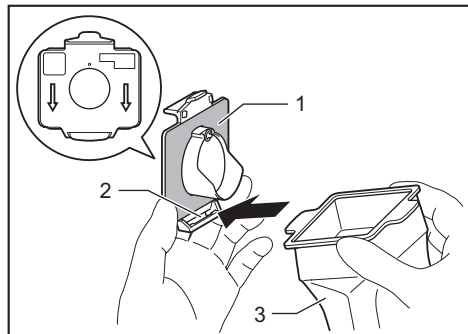
Utilice el tope para el polvo cuando instale la bolsa recolectora de polvo. Tenga cuidado de no confundir por error el lado superior con el lado inferior ya que éstos son diferentes.



► 1. Lado superior del tope para el polvo 2. Lado inferior del tope para el polvo

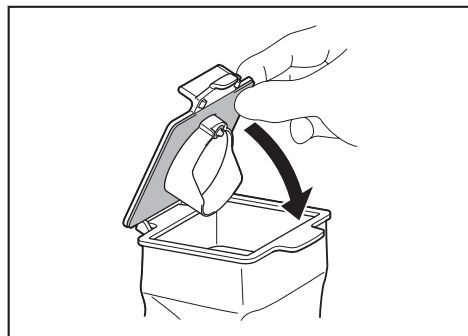
1. Inserte la parte saliente de la bolsa recolectora de polvo dentro de la ranura del tope para el polvo tal como se muestra en la figura.

La bolsa recolectora de polvo no se distingue entre los lados superior e inferior. Puede insertar su parte saliente de cualquier lado dentro de la ranura del tope para el polvo.

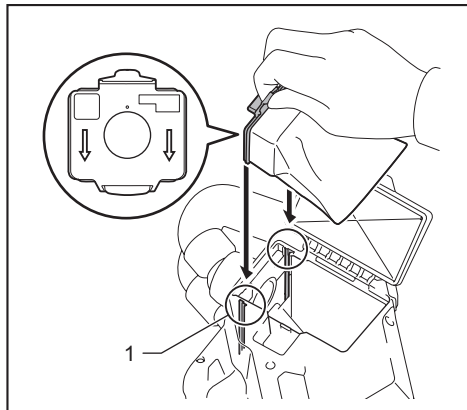


► 1. Tope para el polvo 2. Ranura 3. Bolsa recolectora de polvo

2. Sobreponga el marco del tope para el polvo con el de la bolsa recolectora de polvo.

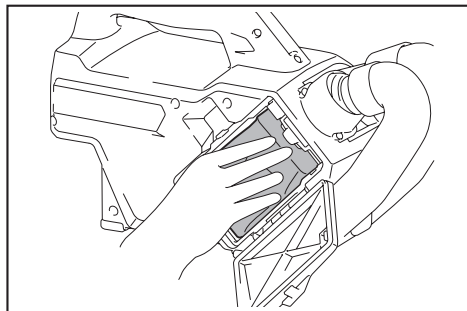


3. Coloque el tope para el polvo y la bolsa recolectora de polvo de manera conjunta en la cavidad de la aspiradora, en la misma dirección de la flecha en el tope para el polvo. Insérteles por completo en las ranuras de la cavidad de la aspiradora.

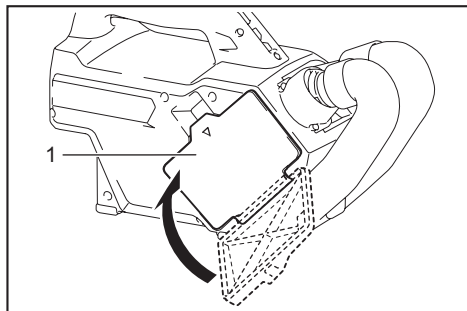


► 1. Ranura

4. Coloque toda la parte de tela de la bolsa recolectora de polvo en el interior de la misma aspiradora.



5. Cierre la cubierta de la caja para polvo por completo.

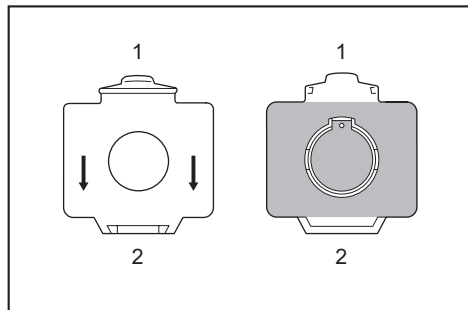


► 1. Cubierta de la caja para polvo

NOTA: Cuando la bolsa recolectora de polvo no se instala en la aspiradora, la cubierta de la caja para polvo no se cierra por completo.

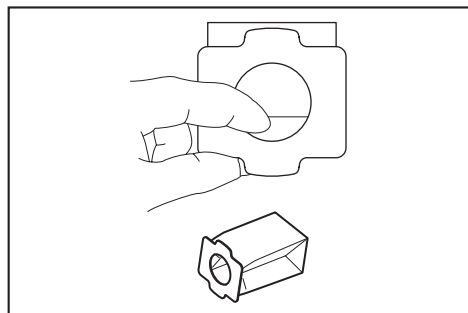
Instalación del filtro de papel

Utilice también el tope para el polvo cuando instale el filtro de papel. Tenga cuidado de no confundir por error el lado superior con el lado inferior ya que éstos son diferentes.



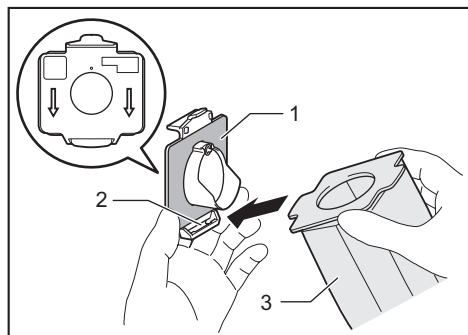
► 1. Lado superior del tope para el polvo 2. Lado inferior del tope para el polvo

1. Desdoble la entrada del filtro de papel antes de colocarlo en el tope para el polvo.



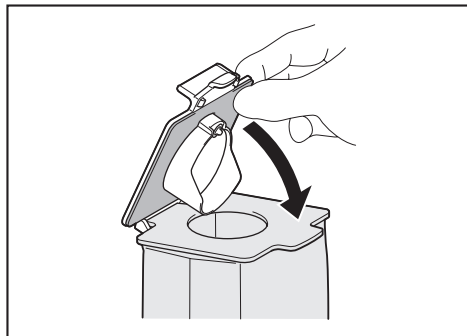
2. Inserte la parte saliente del filtro de papel en la ranura sobre el tope para el polvo, tal como se muestra en la figura.

El filtro de papel no se distingue entre los lados superior e inferior. Puede insertar su parte saliente de cualquier lado dentro de la ranura del tope para el polvo.

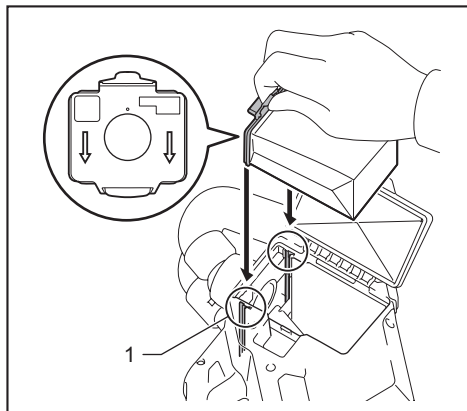


► 1. Tope para el polvo 2. Ranura 3. Filtro de papel

3. Sobreponga el marco del tope para el polvo con el del filtro de papel.

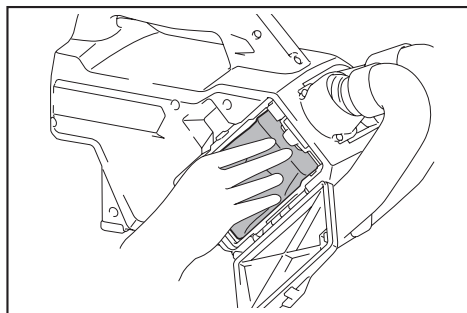


4. Coloque el tope para el polvo y el filtro de papel de manera conjunta en la cavidad de la aspiradora, en la misma dirección de la flecha en el tope para el polvo. Insértelos por completo en las ranuras de la cavidad de la aspiradora.

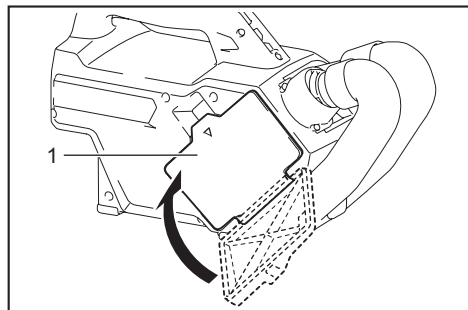


► 1. Ranura

5. Coloque toda la parte del contenedor del filtro de papel en el interior de la misma herramienta.



6. Cierre la cubierta de la caja para polvo por completo.



► 1. Cubierta de la caja para polvo

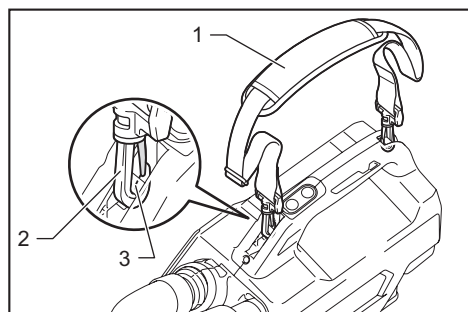
NOTA: Cuando el filtro de papel no se instala en la aspiradora, la cubierta de la caja para polvo no se cierra por completo.

Instalación de la correa para hombro

⚠PRECAUCIÓN: Tenga cuidado de que la correa para hombro no quede atrapada en sus alrededores.

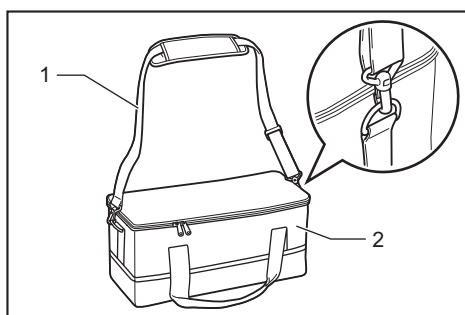
⚠PRECAUCIÓN: Tenga cuidado de que la correa para hombro no se resbale de su hombro cuando use la aspiradora. Se recomienda colocar la correa para hombro atravesada frente a su pecho para manejar la aspiradora de manera estable.

Coloque los ganchos de la correa para hombro en los soportes de la aspiradora tal y como se ilustra en la figura.



► 1. Correa para hombro 2. Gancho 3. Soporte

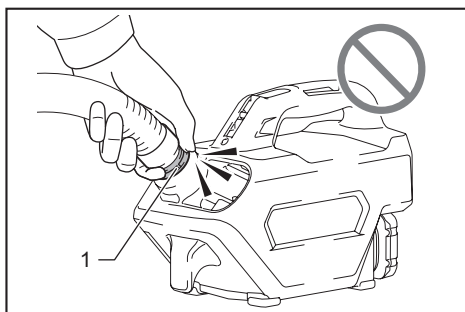
NOTA: También puede colocar la correa para hombro en la bolsa flexible (accesorio opcional), como se muestra en la ilustración.



OPERACIÓN

⚠PRECAUCIÓN: Siempre sostenga el mango cuando transporte la aspiradora. Si sostiene la parte de aditamento durante el transporte, podría desprenderse de la aspiradora y ocasionar lesiones personales.

⚠PRECAUCIÓN: No sujete la junta para manguera como se muestra en la ilustración. Sujetar la junta para manguera podría ocasionar que su dedo quede atrapado.



► 1. Junta para manguera

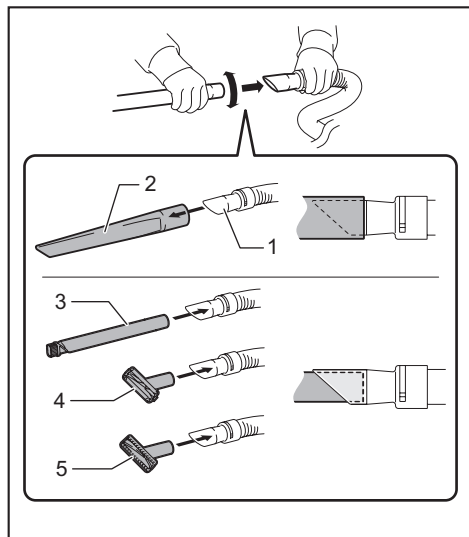
Uso como aspiradora

NOTA: Retire el aditamento para soplador antes de aspirar. Si el aditamento para soplador está conectado a la aspiradora, es posible que la potencia de succión disminuya.

Instalación o desinstalación del aditamento para aspiradora

Para conectar un aditamento, tal como la boquilla, enrosque e insértelo firmemente a la manguera. Para desconectarlo, retírelo girándolo.

La manera de instalación varía dependiendo de las boquillas, tal como se ilustra.

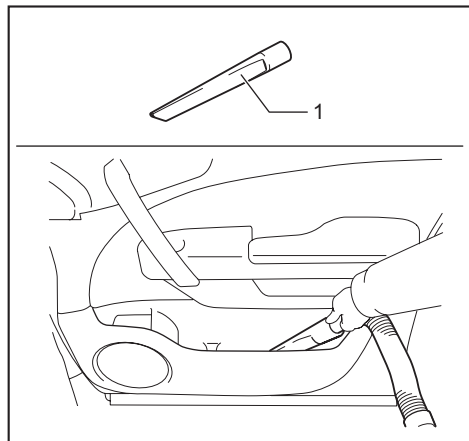


- 1. Manguera 2. Boquilla de caucho 3. Cepillo suave
- 4. Boquilla para asientos 5. Boquilla para tapete

Aspirado

Boquilla de caucho

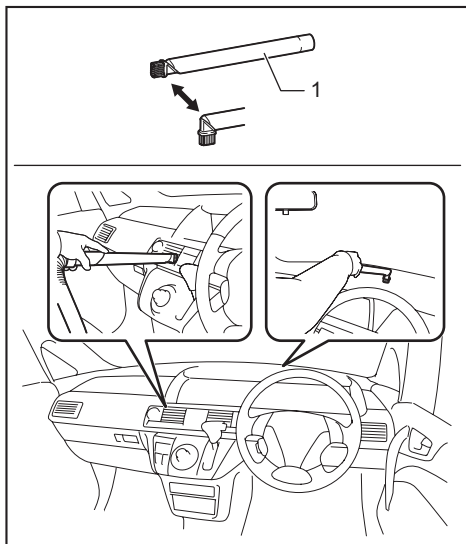
Esta boquilla resulta conveniente para aspirar esquinas inferiores, como las de la cavidad de una puerta. La boquilla de caucho no maltrata la superficie a ser limpiada.



- 1. Boquilla de caucho

Cepillo suave

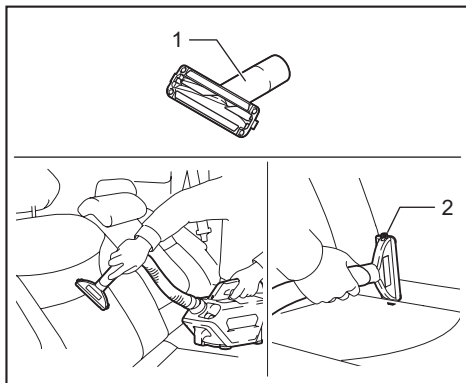
Esta boquilla resulta conveniente para limpiar las aberturas de ventilación del aire acondicionado, del tablero de instrumentos, etc. La cabeza del cepillo suave puede girarse al ángulo recto.



- 1. Cepillo suave

Boquilla para asientos

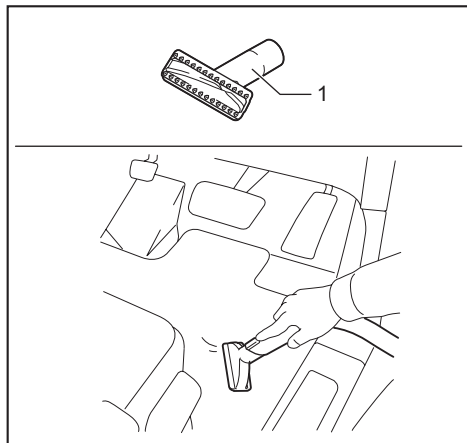
Esta boquilla tiene un cepillo para pelusa para limpiar la superficie del asiento. El cepillo lateral en la boquilla es útil para barrer el polvo de las costuras.



- 1. Boquilla para asientos 2. Cepillo lateral

Boquilla para tapete

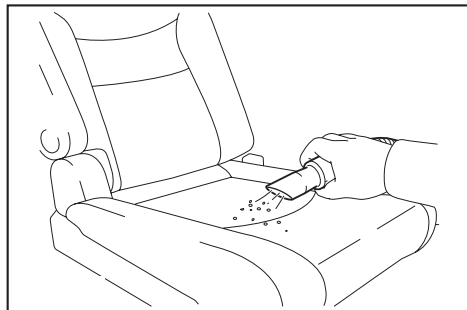
Esta boquilla se utiliza para limpiar el tapete del piso y la alfombrilla. Los dientes en la boquilla ayudan a sacar las partículas de arena.



► 1. Boquilla para tapete

Aspirado sin boquilla

Usted puede realizar el aspirado sin necesidad de la boquilla.



Eliminación del polvo

⚠PRECAUCIÓN: Vacíe la bolsa recolectora de polvo o reemplace el filtro de papel antes de que se llene. De lo contrario, la fuerza de succión disminuirá.

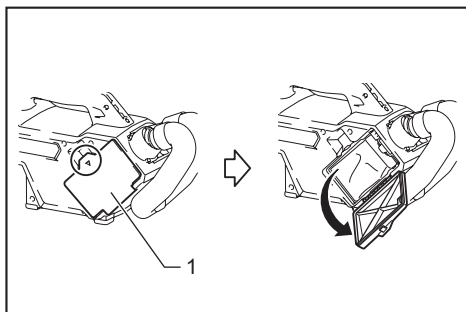
⚠PRECAUCIÓN: Cuando cierre la cubierta de la caja para polvo, tenga cuidado de no pellizcar sus dedos.

AVISO: Nunca deseche el tope para el polvo ya que éste deberá utilizarse cuando la bolsa recolectora de polvo o el filtro de papel sean utilizados.

AVISO: Cuando la bolsa recolectora de polvo/el filtro de papel no está dentro de la aspiradora, la cubierta de la caja para polvo no se cierra por completo. No fuerce la cubierta de la caja para polvo para cerrarla. Esto podría deformar o romper la herramienta.

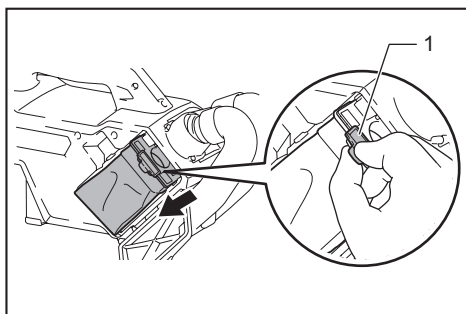
AVISO: Cuando se deshaga del polvo, limpie de igual forma el compartimento para la bolsa recolectora de polvo/filtro de papel. Si queda polvo y suciedad en dicho compartimento, el filtro de esponja podría obstruirse o el motor podría dañarse.

1. Abra la cubierta de la caja para polvo.



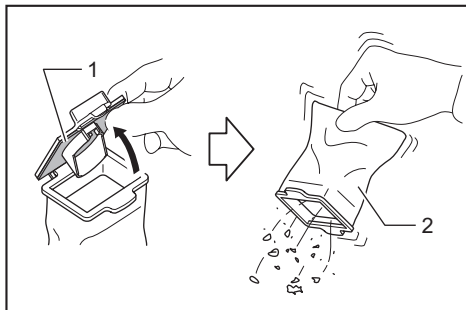
► 1. Cubierta de la caja para polvo

2. Extraiga el tope para el polvo de color naranja y la bolsa recolectora de polvo/filtro de papel de manera conjunta y al mismo tiempo.



► 1. Tope para el polvo

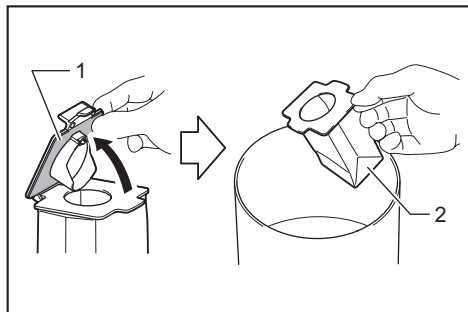
3. Cuando utilice la bolsa recolectora de polvo Retire el tope para el polvo y vacíe la bolsa recolectora de polvo.



► 1. Tope para el polvo 2. Bolsa recolectora de polvo

Cuando utilice el filtro de papel

Retire el tope para el polvo y deshágase del filtro de papel.



► 1. Tope para el polvo 2. Filtro de papel

4. Coloque la bolsa recolectora de polvo/filtro de papel nuevo y el tope para el polvo de manera conjunta en la aspiradora, y cierre la cubierta de la caja para polvo.

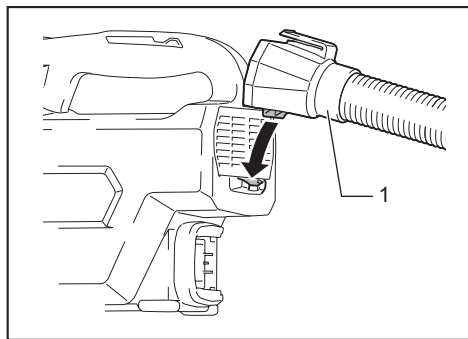
Uso como soplador

⚠PRECAUCIÓN: No apunte nunca la boquilla a nadie alrededor.

⚠PRECAUCIÓN: No utilice la aspiradora para inflar objetos, tales como balsas neumáticas, pelotas y otros objetos inflables. Un aumento en las revoluciones del motor podría ocasionar una peligrosa rotura del ventilador.

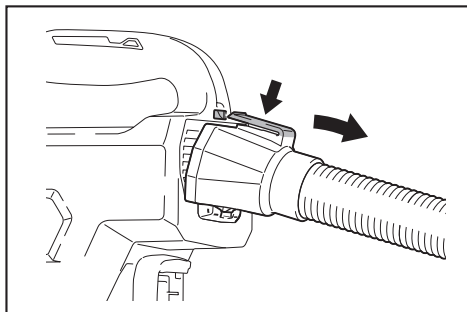
Instalación o desinstalación del aditamento para soplador

Para colocar el aditamento para soplador, alinee la parte saliente del puerto del aditamento para soplador con la ranura de la abertura de ventilación, luego empujela hasta que haga clic.



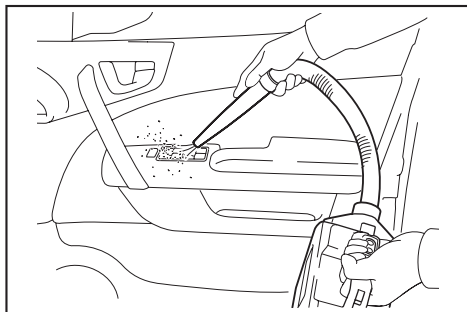
► 1. Aditamento para soplador

Para extraer el aditamento para soplador, jale el puerto hacia abajo mientras oprime la parte superior, tal como se ilustra.



Soplado

Dirija la punta del aditamento para soplador hacia el objeto que desea soplar y encienda la herramienta.



MANTENIMIENTO

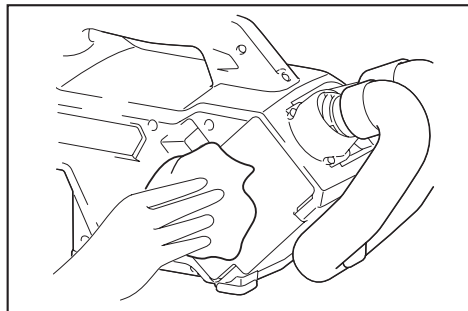
⚠PRECAUCIÓN: Asegúrese siempre de que la herramienta esté apagada y el cartucho de batería extraído antes de intentar realizar una inspección o mantenimiento.

AVISO: Nunca use gasolina, bencina, diluyente (tíner), alcohol o sustancias similares. Puede que esto ocasione grietas o descoloramiento.

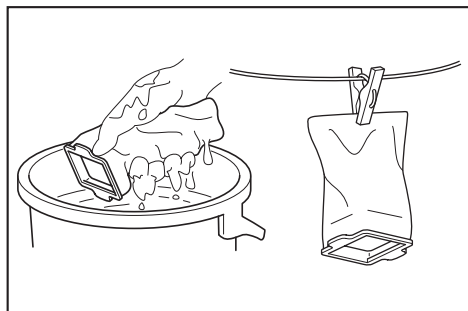
Para mantener la SEGURIDAD y FIABILIDAD del producto, las reparaciones, y cualquier otra tarea de mantenimiento o ajuste deberán ser realizadas en centros de servicio autorizados o de fábrica Makita, empleando siempre repuestos Makita.

Limpieza

De vez en cuando, limpie el exterior (cuerpo) de la aspiradora usando un paño húmedo y agua enjabonada. Asimismo, limpie la abertura de succión, el área donde va colocada la bolsa recolectora de polvo/filtro de papel y el tope para el polvo.



Lave la bolsa recolectora de polvo en agua enjabonada cuando ésta se haya tapado con el polvo y disminuya la potencia de la aspiradora. Déjelo secar por completo antes de usarlo. Un filtro que no esté completamente seco podría ocasionar una succión deficiente y acortar la vida útil del motor.



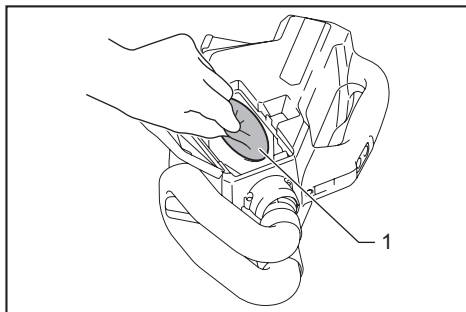
NOTA: El filtro de papel es de tipo desechable.

Cuando el filtro de esponja se haya tapado con polvo, retírelo de la aspiradora y luego límpielo o lávelo con agua.

Extracción e instalación del filtro de esponja

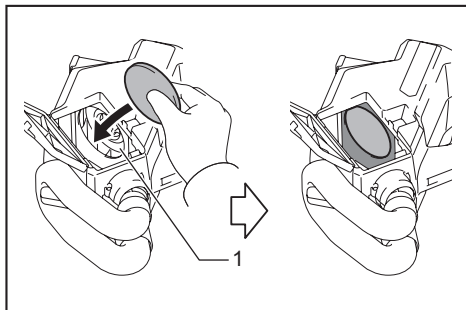
⚠PRECAUCIÓN: Después de limpiar el filtro de esponja, asegúrese de instalarlo en la aspiradora. Si éste fue lavado con agua, séquelo antes de instalarlo. Un filtro de esponja que no esté completamente seco podría acortar la vida útil del motor.

Para extraer el filtro de esponja, retire la bolsa recolectora de polvo o el filtro de papel y luego pellízquelo para retirarlo.



► 1. Filtro de esponja

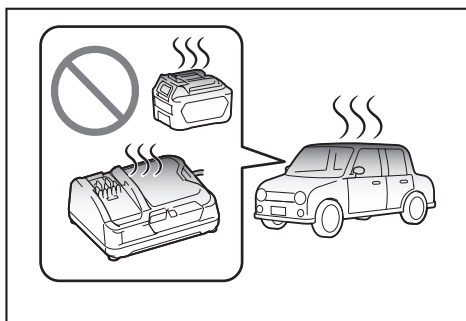
Presione todo el borde del filtro de esponja contra la pared hueca en el interior del área donde va colocada la bolsa recolectora de polvo/filtro de papel.



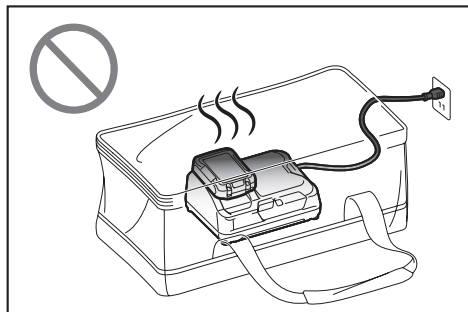
► 1. Pared hueca

Almacenamiento

⚠ADVERTENCIA: Nunca deje el cartucho de batería y el cargador dentro de un vehículo. La temperatura dentro de un vehículo expuesto al sol puede superar los 50 °C (122 °F). Puede hacer que el cartucho de batería se deteriore y expulse líquido, desprenda humo o se incendie.



⚠ADVERTENCIA: Nunca use el cargador en una bolsa para almacenamiento. Bloquear la abertura de ventilación de aire podría resultar en el desprendimiento de humo o en un incendio.

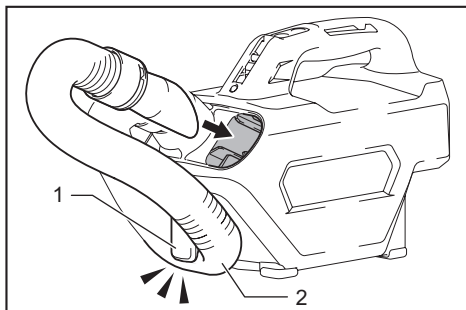


⚠ADVERTENCIA: Nunca cargue el cartucho de batería con un inversor de corriente para vehículo. Esto podría causar un calor inusitado y resultar en un incendio.

⚠ADVERTENCIA: Nunca cargue el cartucho de batería dentro de un vehículo. Si el cartucho de batería queda expuesto a un rango de temperaturas fuera de los 10 °C (50 °F) a 40 °C (104 °F), esto podría generar calor y/o un incendio, o explotar.

⚠PRECAUCIÓN: Siempre almacene la manguera como se ilustra para evitar tropiezos cuando no utilice la aspiradora.

Si la manguera no está guardada, su pie podría quedar atrapado en esta y ocasionar lesiones personales.



► 1. Gancho 2. Manguera

Detección y solución de problemas

Antes de solicitar una reparación, verifique los siguientes puntos.

Síntoma	Área a ser investigada	Método de solución
Potencia de succión deficiente	¿La bolsa recolectora de polvo o el filtro de papel están llenos de polvo?	Vacíe la bolsa recolectora de polvo o el filtro de papel.
	¿La bolsa recolectora de polvo está tapada?	Sacuda el polvo o lave la bolsa recolectora de polvo.
	¿El filtro de papel está tapado?	Reemplace el filtro de papel.
	¿El cartucho de batería se ha agotado?	Cargue el cartucho de batería.
No funciona	¿El cartucho de batería se ha agotado?	Cargue el cartucho de batería.
La cubierta de la caja para polvo no cierra	¿La bolsa recolectora de polvo o el filtro de papel están colocados en su lugar?	Coloque la bolsa recolectora de polvo o el filtro de papel.

NOTA: No intente reparar la aspiradora por su cuenta.

ACCESORIOS OPCIONALES

⚠️ PRECAUCIÓN: Estos accesorios o aditamentos están recomendados para utilizarse con su herramienta Makita especificada en este manual.

El empleo de cualquier otro accesorio o aditamento puede conllevar el riesgo de lesiones personales.

Utilice los accesorios o aditamentos solamente para su fin establecido.

Si necesita cualquier ayuda para más detalles en relación con estos accesorios, pregunte a su centro de servicio local Makita.

- Tubo de extensión (tubo recto)
- Boquilla
- Boquilla para alfombra
- Cepillo para estantes
- Boquilla para esquinas
- Cepillo redondo
- Manguera flexible
- Filtro de papel
- Boquilla amplia
- Boquilla para asientos
- Boquilla para huecos
- Colector ciclónico
- Bolsa recolectora de polvo
- Bolsa recolectora de polvo de alto desempeño
- Bolsa flexible
- Batería y cargador originales de Makita

NOTA: Algunos de los artículos en la lista pueden incluirse en el paquete de la herramienta como accesorios estándar. Éstos pueden variar de país a país.

GARANTÍA LIMITADA DE MAKITA

Ésta Garantía no aplica para México

Consulte la hoja de la garantía anexa para ver los términos más vigentes de la garantía aplicable a este producto. En caso de no disponer de esta hoja de garantía anexa, consulte los detalles sobre la garantía descritos en el sitio web de su país respectivo indicado a continuación.

Estados Unidos de América: www.makitatools.com

Canadá: www.makita.ca

Otros países: www.makita.com

< USA only >

WARNING

Some dust created by power sanding, sawing, grinding, drilling, and other construction activities contains chemicals known to the State of California to cause cancer, birth defects or other reproductive harm. Some examples of these chemicals are:

- lead from lead-based paints,
- crystalline silica from bricks and cement and other masonry products, and
- arsenic and chromium from chemically-treated lumber.

Your risk from these exposures varies, depending on how often you do this type of work. To reduce your exposure to these chemicals: work in a well ventilated area, and work with approved safety equipment, such as those dust masks that are specially designed to filter out microscopic particles.

< Sólo en los Estados Unidos >

ADVERTENCIA

Algunos polvos creados por el lijado, aserrado, esmerilado, taladrado y otras actividades de la construcción contienen sustancias químicas reconocidas por el Estado de California como causantes de cáncer, defectos de nacimiento y otros peligros de reproducción. Algunos ejemplos de estos productos químicos son:

- plomo de pinturas a base de plomo,
- sílice cristalino de ladrillos y cemento y otros productos de albañilería, y
- arsénico y cromo de maderas tratadas químicamente.

El riesgo al que se expone varía, dependiendo de la frecuencia con la que realice este tipo de trabajo. Para reducir la exposición a estos productos químicos: trabaje en un área bien ventilada y póngase el equipo de seguridad indicado, tal como las máscaras contra polvo que están especialmente diseñadas para filtrar partículas microscópicas.

Makita Corporation

3-11-8, Sumiyoshi-cho,
Anjo, Aichi 446-8502 Japan

www.makita.com

885692-941
LC09-1
EN, ESMX
20181115