

CA65 Propane Warning



WARNING: FUELS USED IN LIQUEFIED PROPANE GAS APPLIANCES, AND THE PRODUCTS OF COMBUSTION OF SUCH FUELS, CAN EXPOSE YOU TO CHEMICALS INCLUDING BENZENE, WHICH IS KNOWN TO THE STATE OF CALIFORNIA TO CAUSE CANCER AND CAUSE BIRTH DEFECTS OR OTHER REPRODUCTIVE HARM. For more information go to: www.P65Warnings.ca.gov.

ADVERTENCIA: LOS COMBUSTIBLES USADOS EN EQUIPOS PARA LICUAR GAS PROPANO, ASÍ COMO LOS PRODUCTOS DE SU COMBUSTIÓN, PUEDEN EXPONERTE A SUSTANCIAS QUÍMICAS, ENTRE ELLAS EL BENCENO, QUE EL ESTADO DE CALIFORNIA RECONOCE COMO CAUSA DE CÁNCER Y DE MALFORMACIONES CONGÉNITAS Y OTROS DAÑOS AL SISTEMA REPRODUCTOR. Para más información, visite www.P65Warnings.ca.gov.

Pre-Assembly

PLANNING ASSEMBLY

Before beginning assembly of product, make sure all parts are present. If any part is missing or damaged, do not attempt to assemble the product. Contact customer service for replacement parts.

TOOLS REQUIRED



NOTE: Tools are not included in the package.



Adjustable Wrench

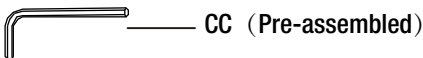
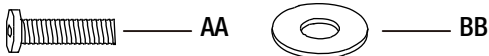


Philips screwdriver

HARDWARE INCLUDED



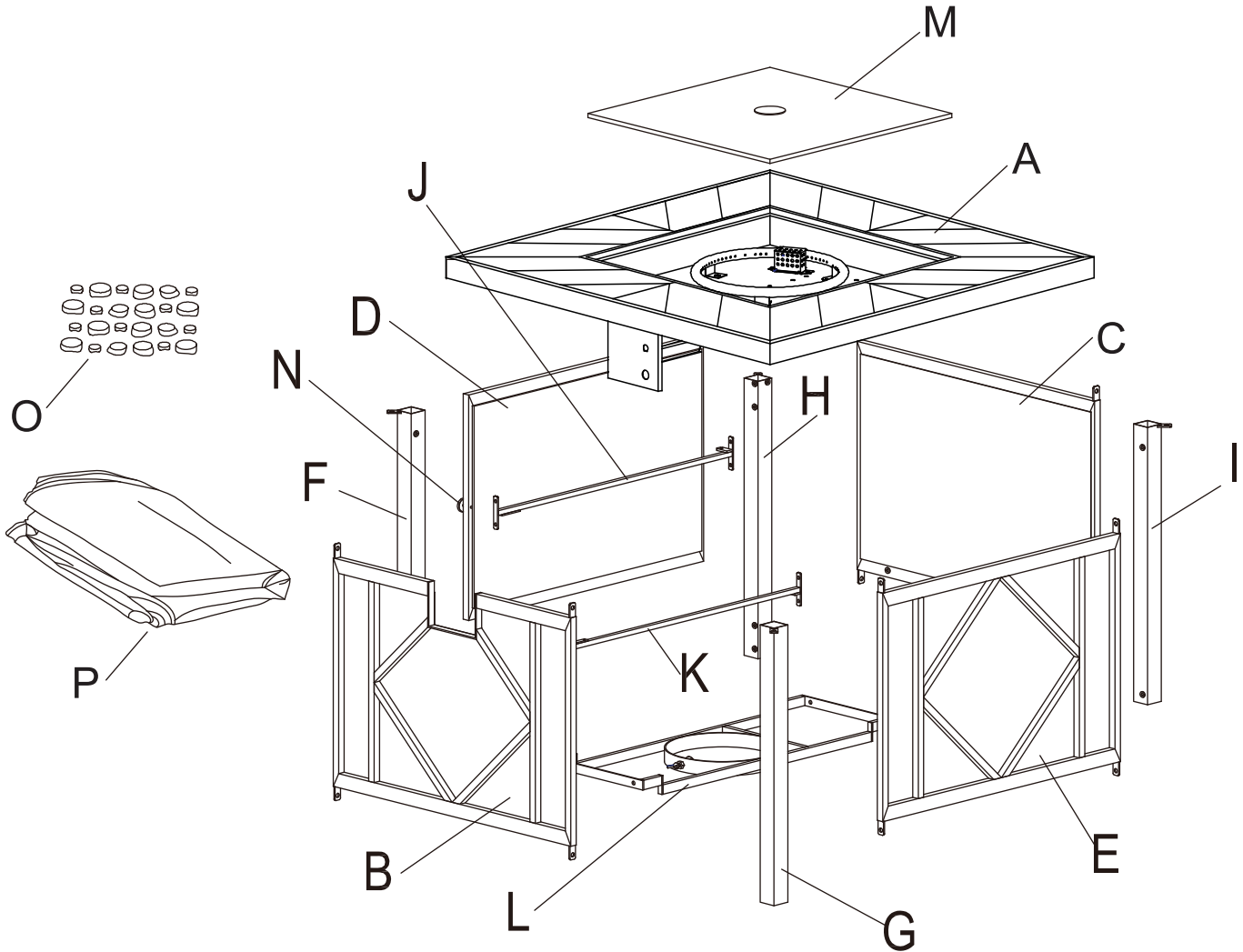
NOTE: Hardware not shown to actual size.



Part	Description	Quantity
AA	M6 x 15 Bolt	30
BB	D6 Washer	30
CC	Allen Wrench	1

Pre-Assembly (continued)

PACKAGE CONTENTS



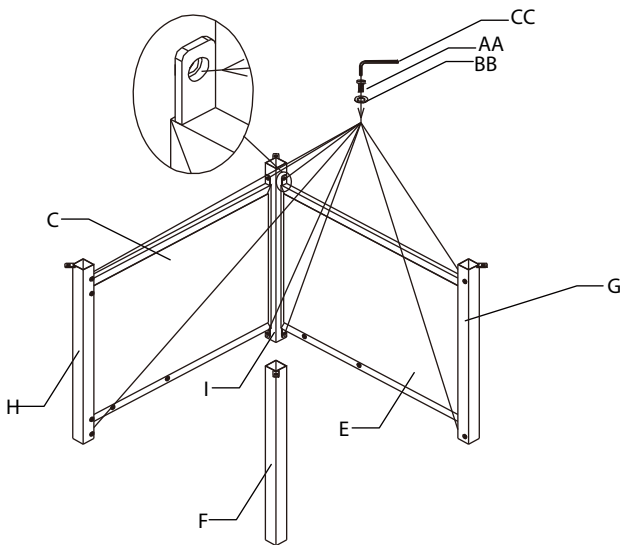
Part	Description	Quantity
A	Table Top	1 pc
B	Front Panel	1 pc
C	Back Panel	1 pc
D	Door Panel	1 pc
E	Right Panel	1 pc
F	Left Foreleg	1 pc
G	Right Foreleg	1 pc
H	Left Hind Leg	1 pc

Part	Description	Quantity
I	Right Hind Leg	1 pc
J	Upper Crossbar	1 pc
K	Lower Crossbar	1 pc
L	Cylinder Holder Assembly	1 pc
M	Lid	1 pc
N	Door Handle	1 pc
O	Lava Rocks	13.2 lbs
P	Cover	1 pc

Assembly

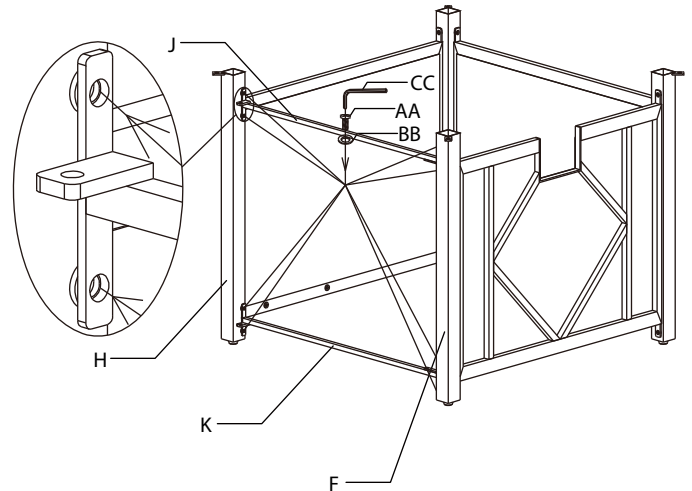
1 Assembling the Back Panel

- Attach the back panel (C) to the left hind leg (H) and right hind leg (I) with four M6 x 15 bolts (AA) and four D6 washers (BB) using the Allen wrench (CC). Attach the right panel (E) to the right foreleg (G) and right hind leg (I) with four M6 x 15 bolts (AA) and four D6 washers (BB) using the Allen wrench (CC).
Do not fully tighten hardware until entire step is completed.



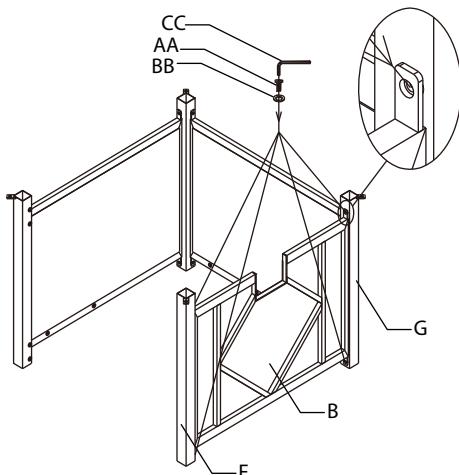
3 Attaching the Crossbars

- Attach the upper crossbar (J) and lower crossbar (K) to the left foreleg (F) and left hind leg (H) with eight M6 x 15 bolts (AA) and eight D6 washers (BB) using the Allen wrench (CC).
Do not fully tighten hardware until entire step is completed.



2 Attaching the Front Panel

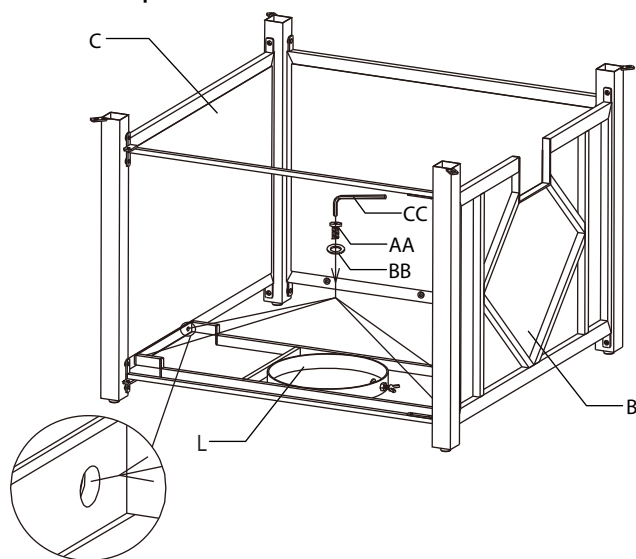
- Attach the front panel (B) to the left foreleg (F) and right foreleg (G) with four M6 x 15 bolts (AA) and four D6 washers (BB) using the Allen wrench (CC).
Do not fully tighten hardware until entire step is completed.



Assembly (continued)

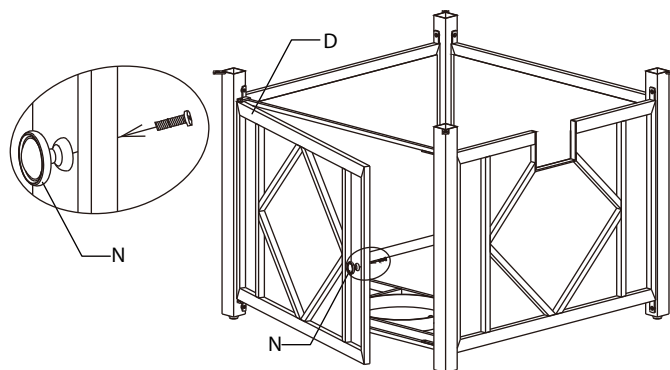
4 Attaching the Cylinder Holder

- Attach the cylinder holder assembly (L) to the front panel (B) and back panel (C) with four M6 x 15 bolts (AA) and four D6 washers (BB) using the Allen wrench (CC). Do not fully tighten hardware until entire step is completed.



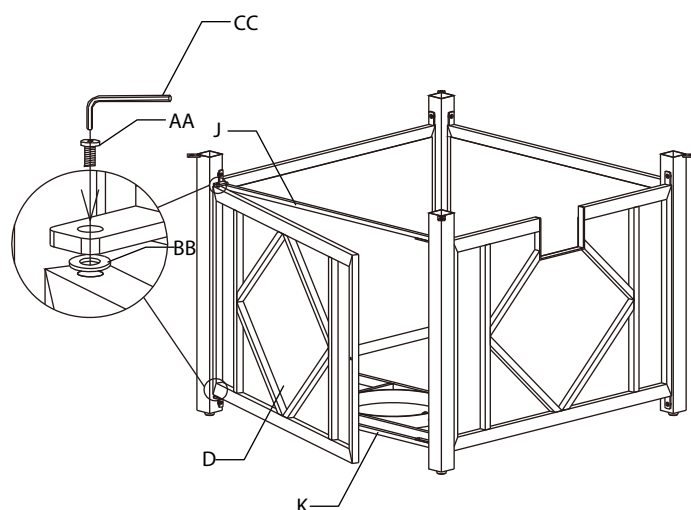
6 Attaching the Door Handle

- Loosen the screw on the door handle (N), then attach the door handle (N) to the door panel (D) using a Phillips Screwdriver (not included).



5 Attaching the Door Panel

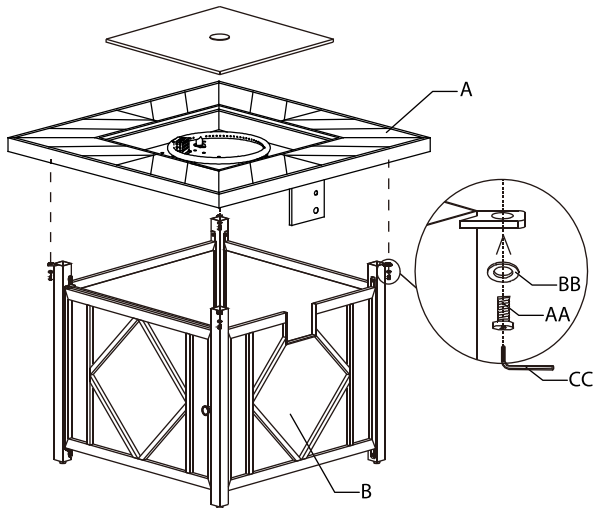
- Attach the door panel (D) to the upper crossbar (J) and lower crossbar (K) with two M6x15 bolts (AA) and two D6 washers (BB) using the Allen wrench (CC). Do not fully tighten hardware until entire step is completed.



Assembly (continued)

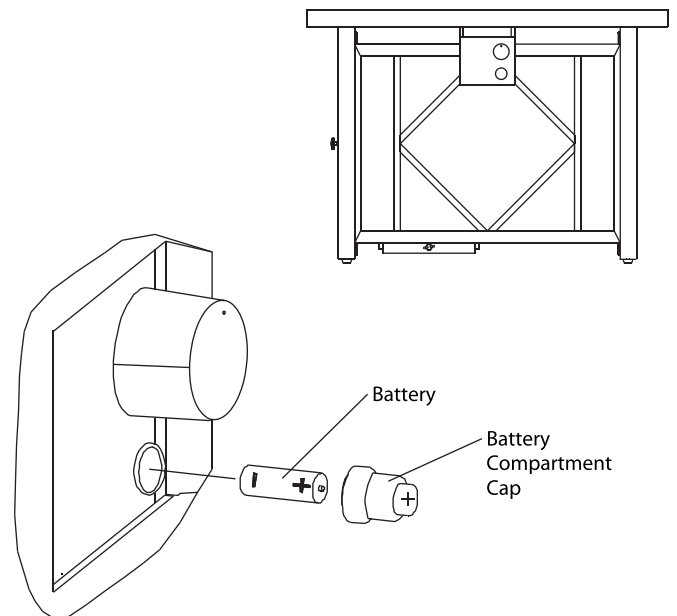
7 Attaching the Tabletop

- Attach the table top (A) to the four corners of the assembly with four M6x15 bolts (AA) and four D6 washers (BB) using the Allen wrench (CC). The control panel on the table top (A) should fit into position on the front panel (B). Do not fully tighten hardware until entire step is completed.



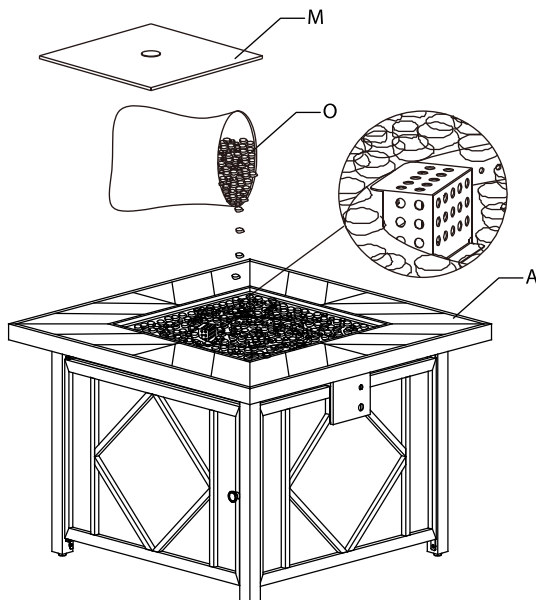
9 Installing a Battery

- Unscrew the battery compartment cap on the control panel and install one AAA battery (not included) with the anode end of the battery located towards the battery compartment cap.



8 Placing the Lava Rocks

- Put the lava rocks (O) (Max. 13.2lbs) on the burning area of the table top (A). Place the lid (M) onto the table top (A) when not use.



Cylinder Installation

PLANNING INSTALLATION

Use two or more people for an easier installation.

Your fire pit must be installed on flat, stable surface, away from any combustible materials or construction.

Place fire pit on any level, outdoor, non-combustible surface.

Do not place the appliance on grass or dirt.

1 Placing the Gas Cylinder

Open the door panel (D) and place the cylinder in the holder assembly.

2 Securing the Gas Cylinder

Turn the cylinder locking bolt clockwise to secure the gas cylinder.

3 Attaching the Regulator

Attach the regulator to the cylinder and turn clockwise by hand.

4 Checking for Leaks

Check your fire pit for leaks before use.



NOTE: Your gas fire pit has been checked at all connections at the factory for leakage. In transportation and handling some connections may have loosened. Follow these steps to check the hose/regulator/cylinder connections:

- 1) Make leakage solution by mixing 1 part liquid dish soap and 3 parts water.
- 2) Spoon or brush several drops (or use squirt bottle) of the solution onto the hose/regulator/cylinder connection.
- 3) Turn on the gas cylinder. Inspect the connections and look for bubbles.
- 4) If no bubbles appear, the connection is safe.
- 5) If bubbles appear, there is a leak. Loosen and re-tighten this connection. If there is still a leak, please call customer service.

Fig. 10

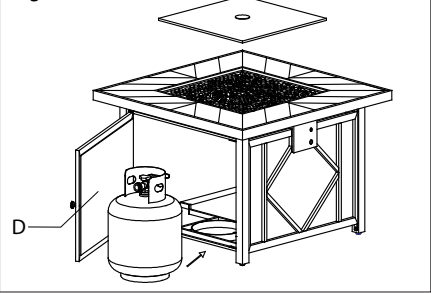


Fig. 11

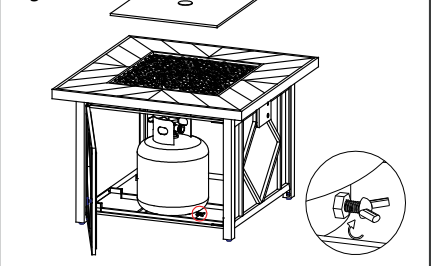


Fig. 12

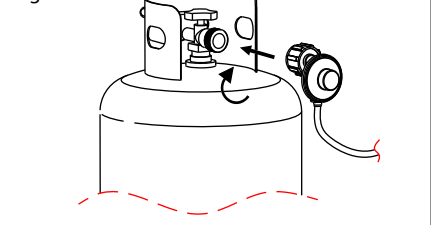


Fig. 13

