

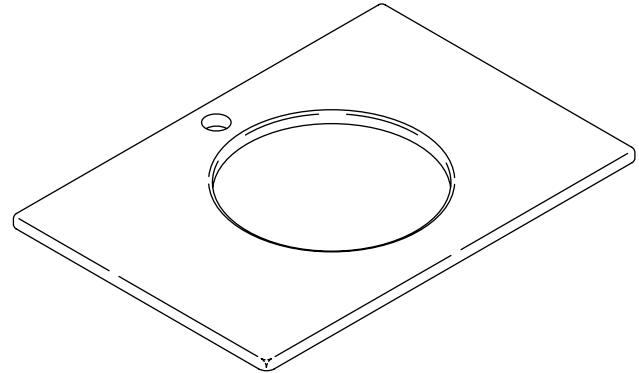
TOP ART™ ARTIST EDITIONS

Features

- Vitreous china
- With or without faucet holes
- Part of the Artist Editions Top Art™ Collection
- Coordinates with Artist Editions design on Camber™ lavatories
- 13-9/16" (34.4 cm) diameter lavatory cutout
- 31" (78.7 cm) x 21-7/8" (55.6 cm)

COUNTERTOP
K-14031

ALSO K-14032, K-14033



Codes/Standards Applicable

Specified model meets or exceeds the following:

- None applicable

Colors/Finishes

- KB: Tog & The™
- BU: Marrakesh™
- LP: Zanzibar™
- BW: Black and White Pattern
- HA: Ipanema™

Accessories

- KB: Tog & The™
- JB: Maharani™
- BU: Marrakesh™
- LP: Zanzibar™
- BW: Black and White Pattern
- HA: Ipanema™

Specified Model

Model	Description	Colors/Finishes				
K-14031	Artist Editions countertop – single faucet hole (shown)	<input type="checkbox"/> KB	<input type="checkbox"/> BU	<input type="checkbox"/> LP	<input type="checkbox"/> BW	<input type="checkbox"/> HA
K-14032	Artist Editions countertop – 8" (20.3 cm) widespread faucet	<input type="checkbox"/> KB	<input type="checkbox"/> BU	<input type="checkbox"/> LP	<input type="checkbox"/> BW	<input type="checkbox"/> HA
K-14033	Artist Editions countertop – without faucet hole	<input type="checkbox"/> KB	<input type="checkbox"/> BU	<input type="checkbox"/> LP	<input type="checkbox"/> BW	<input type="checkbox"/> HA

Product Specification

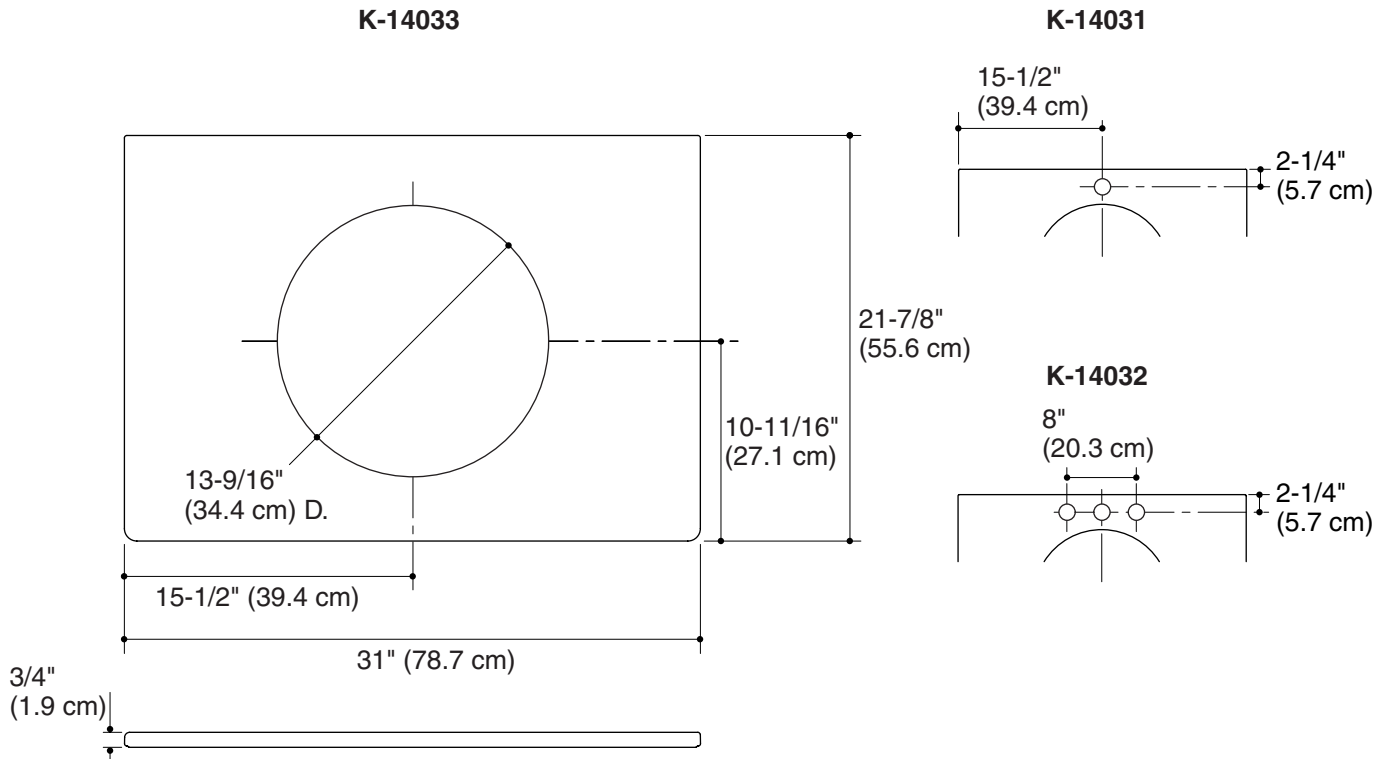
The vitreous china countertop shall be 31" (78.7 cm) in length and 21-7/8" (55.6 cm) in width. Countertop shall be part of the Artist Editions Top Art™ Collection and coordinate with the Artist Editions design on Camber™ lavatories. Countertop shall have a 13-9/16" (34.4 cm) diameter lavatory cutout. Countertop shall be available with or without faucet holes. Product shall be Kohler Model K-_____-_____.

TOP ART™ ARTIST EDITIONS

Recommended Accessories						
K-11000	Top Art Artist Editions design on BOL® ceramic faucet		<input type="checkbox"/> JB	<input type="checkbox"/> BU		
K-14046	Artist Editions design on Camber™ lavatory	<input type="checkbox"/> KB	<input type="checkbox"/> JB	<input type="checkbox"/> BU	<input type="checkbox"/> LP	<input type="checkbox"/> BW <input type="checkbox"/> HA

Installation Notes

Install this product according to the installation guide.



Product Diagram