

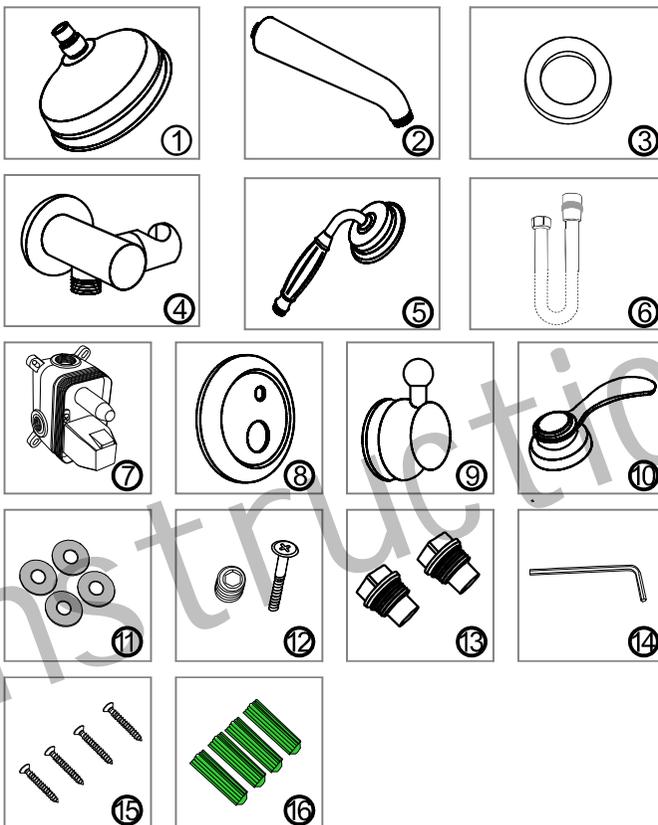
**Rainfall Shower
Systems**

Installation Manual

Instructions

01

Essential accessories list



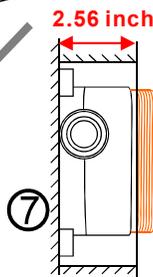
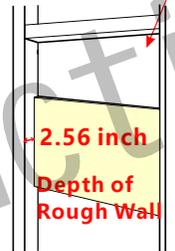
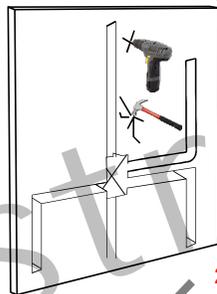
1. Preparation of the wall before installation

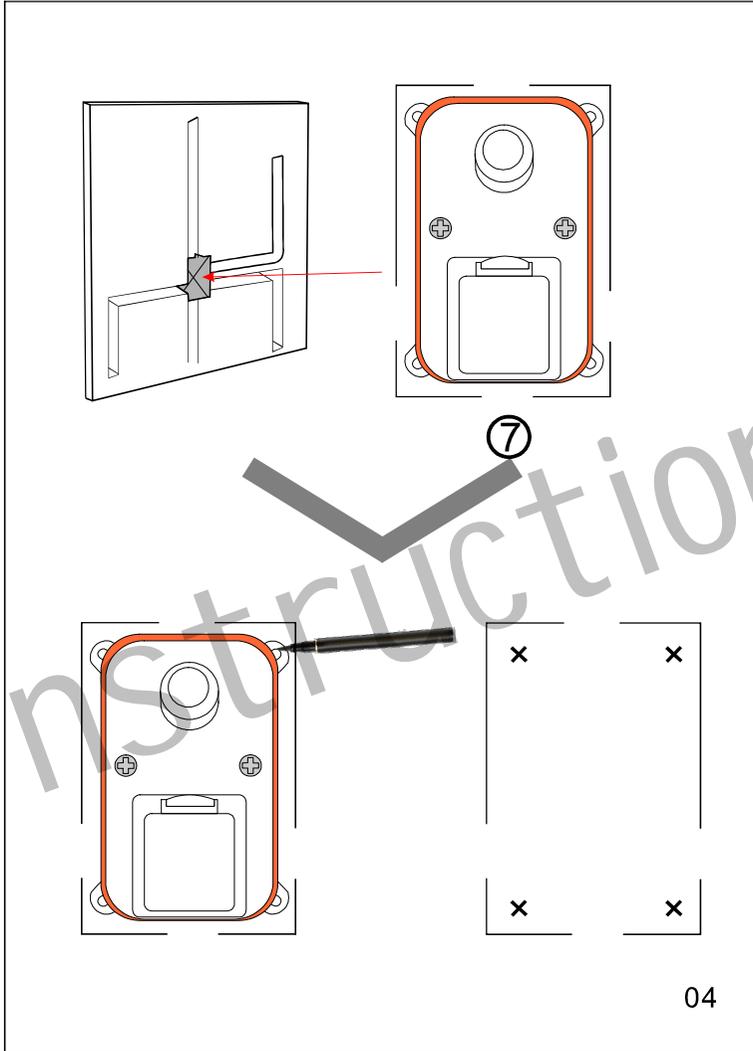


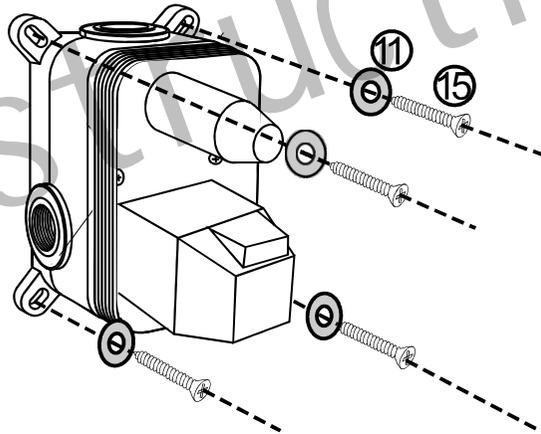
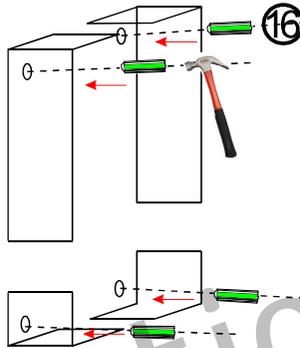
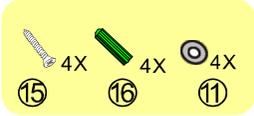
(Concrete wall)



(Wood wall)

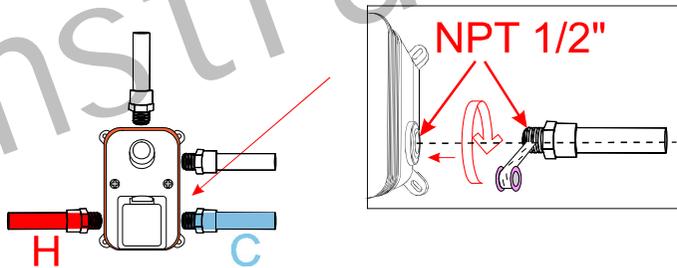
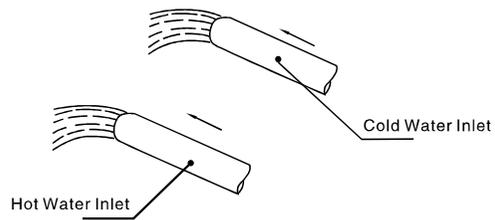




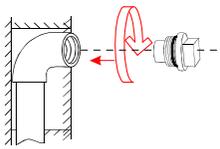
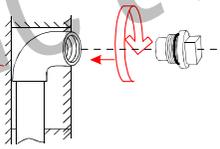
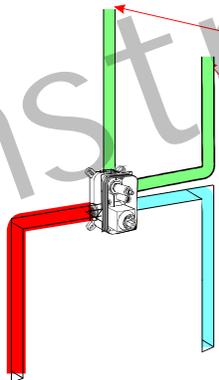
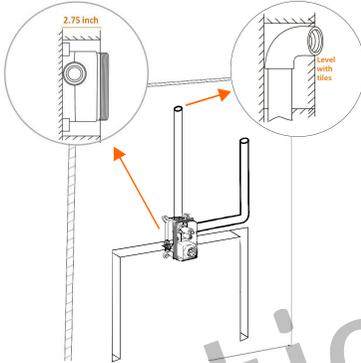
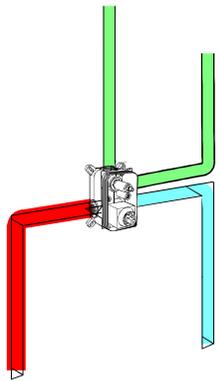


05

2. Clean the inside of the water pipe and fitting ensure no impurities

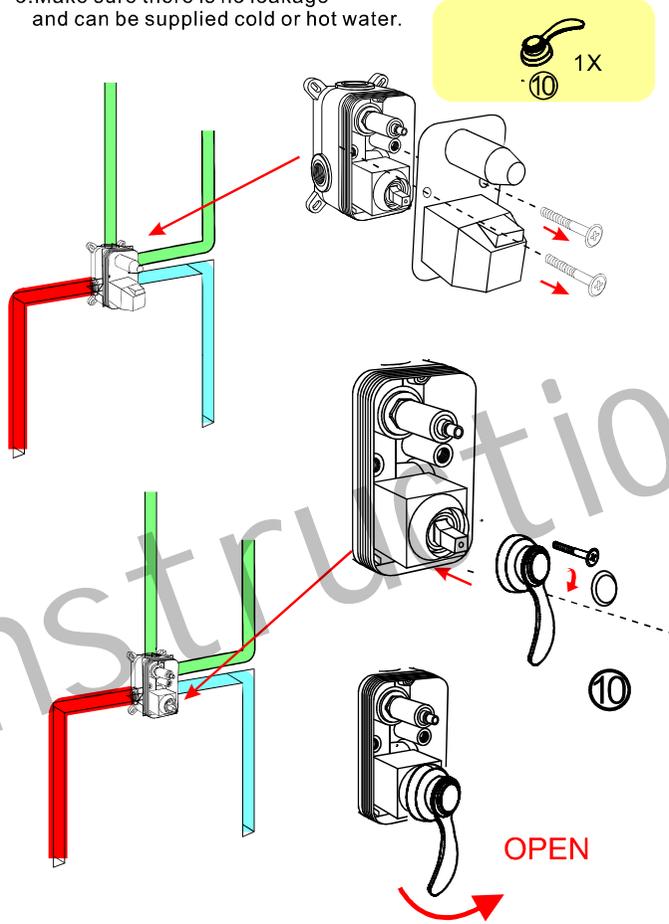


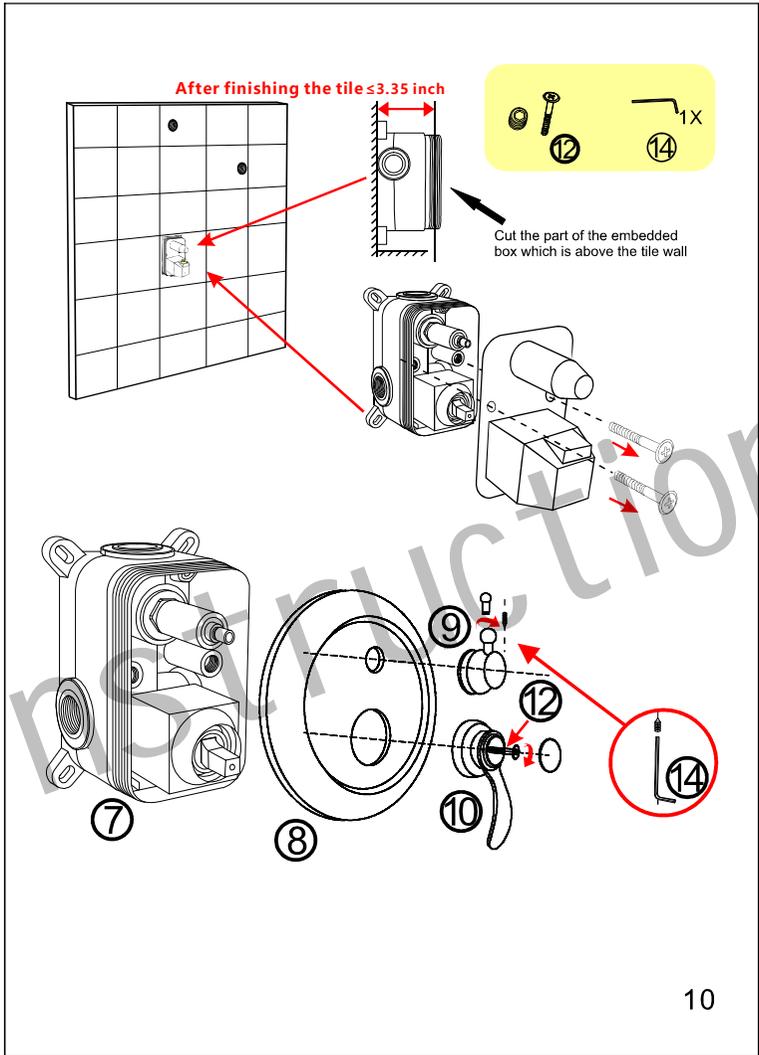
 ×2
This step requires the plumber to plug the water pipe to test for leaks.



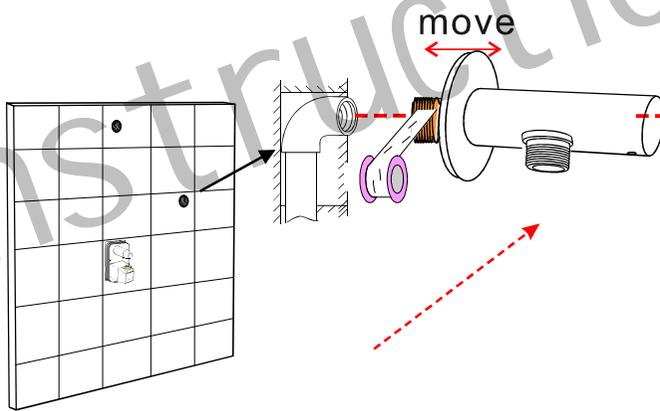
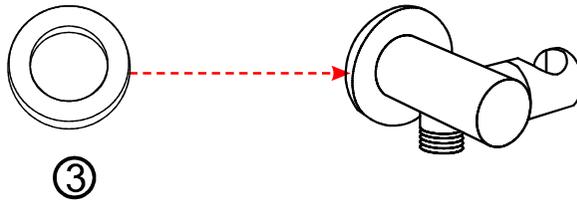
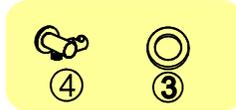
07

3. Make sure there is no leakage
and can be supplied cold or hot water.

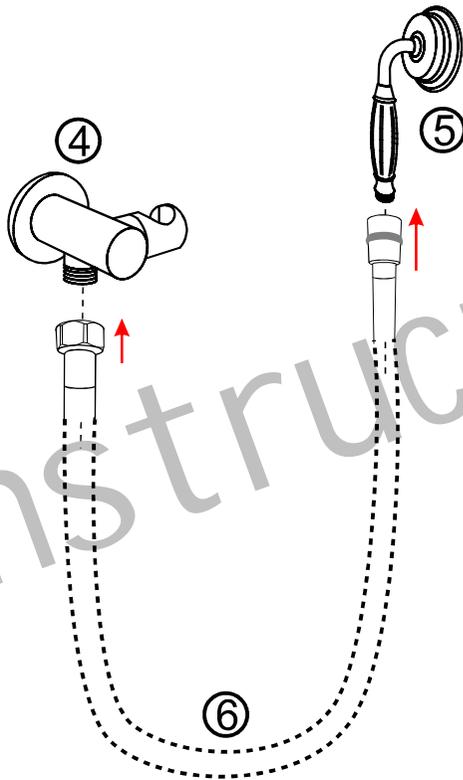




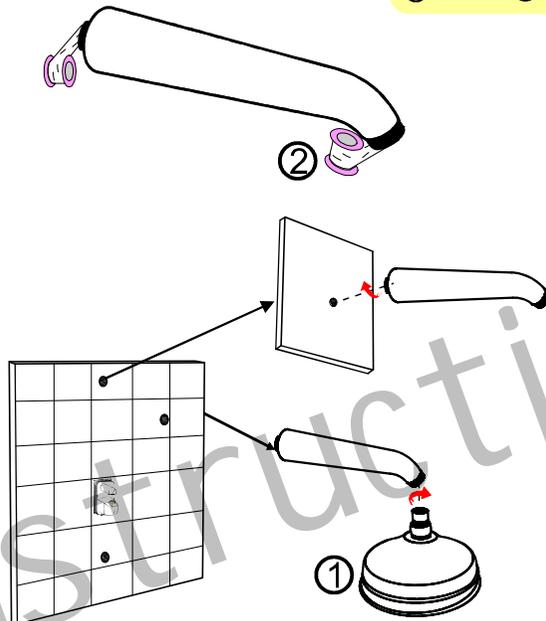
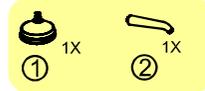
5. Install Shower bracket



6. Install Handheld Shower Head and Shower hose.



7. Install the shower arm



Note :As the product upgrades and looks change, but they are installed in the same way.

If you have any problem, please contract us and we will solve it as soon as possible.

Our email : sellershopping1@gmail.com

About Warranty

Products have been manufactured under the highest standards of quality and workmanship. Warrants to the original consumer purchaser for as long as the original consumer purchaser owns their home (the "Warranty Period" for homeowners), that this faucet will be leak- and drip-free during normal use and all parts and finishes of this faucet will be free from defects in material and manufacturing workmanship. All other purchasers (including purchasers for industrial, commercial and business use) are warranted for a period of 3 years from the original date of purchase (the "Warranty Period" for non-homeowners).

If this faucet should ever develop a leak or drip during the Warranty Period, We will FREE OF CHARGE provide the parts necessary to put the faucet back in good working condition. Proof of purchase (original sales receipt) from the original consumer purchaser must accompany all warranty claims. Defects or damage caused by the use of other than genuine parts is not covered by this warranty.

This warranty is extensive in that it covers replacement of all defective parts and finishes. However, damage due to installation error, product abuse, product misuse, or use of cleaners containing abrasives, alcohol or other organic solvents, whether performed by a contractor, service company, or yourself, are excluded from this warranty. We will not be responsible for labor charges and/or damage incurred in installation, repair or replacement, nor for any indirect, incidental or consequential damages, losses, injury or costs of any nature relating to this faucet. Except as provided by law, this warranty is in lieu of and excludes all other warranties, conditions and guarantees, whether expressed or implied, statutory or otherwise, including without restriction those of merchantability or of fitness for use.

Some states, provinces and nations do not allow the exclusion or limitation of incidental or consequential damages, so the above limitations or exclusions may not apply to you.

If you have any questions about this product, please feel free to contact us.

Email: sellersshopping1@gmail.com

Quality First
Customers Supreme

Instructions