

MASTERBUILT®

EST. 1973

Rest assured, we're here to help.

Customer Service
Service à la clientèle
Servicio de atención al cliente

[masterbuilt.com/contact](https://www.masterbuilt.com/contact)

Masterbuilt Manufacturing, LLC
1 Masterbuilt Court | Columbus, GA | 31907

@masterbuilt



1.800.489.1581

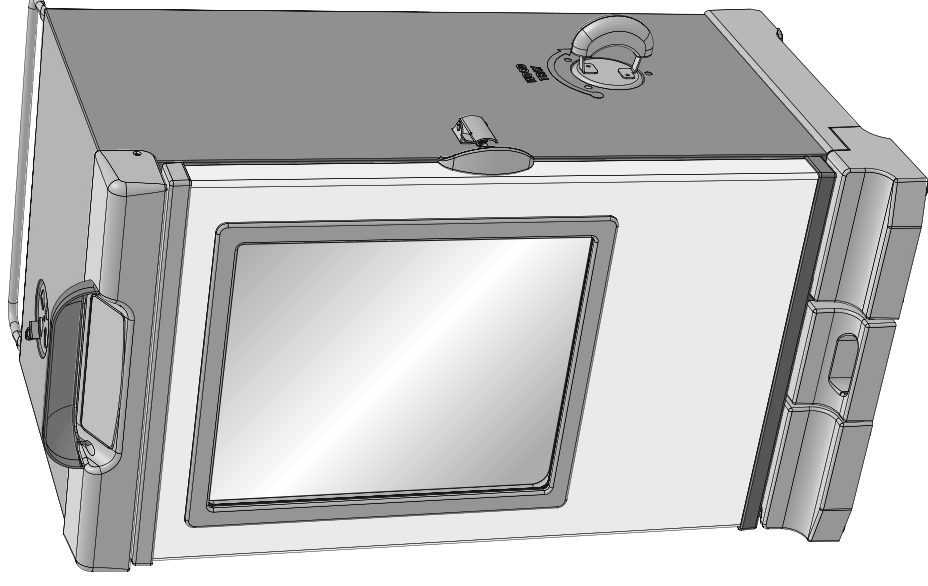
www.masterbuilt.com



MASTERBUILT®

EST. 1973

Welcome to the family. Let's get started.



MES 230G, 235G, 240G, 245G

BLUETOOTH DIGITAL ELECTRIC SMOKER
BLUETOOTH FUMOIR ÉLECTRIQUE NUMÉRIQUE
BLUETOOTH AHUMADOR ELÉCTRICO DIGITAL

Manual applies to the following model number(s)
Le manuel s'applique aux numéros de modèle suivants
El manual se aplica a los siguientes números de modelo

MB20070115, MB20072115, MB20075618, MB20075718,
MB20075818, MB20076118, MB20076218, MB20076318,
MB20076418, MB20076518, MB20076618, MB20076718,
MB20076818, MB20076918, MB21070315, MB21072315,
MB21073115, MB21075918, MB21076018, MB21076118,
MB21076218, MB21076418, MB21076518, MB21076618,
MB21076718, MB21076818, MB25070115, MB25072215,
MB26072415, MB26076718, MB71071115, MB71073315,
MB71076118, MB71076718

Your model number | Votre numéro de modèle | Su número de modelo

Mfg. Date - Serial Number | Date de fabrication - Numéro de série |
Fecha Fabricado - Número de serie

These numbers are located on the rating label of the unit.
Le numéro de série se trouve sur la plaque signalétique de l'unité.
El número de serie se encuentra en la etiqueta de la unidad.

IMPORTANT | IMPORTANTE

Please record this information immediately and keep in a safe place for future use.

Veillez noter cette information immédiatement et la conserver dans un endroit sûr pour une utilisation future.

Por favor, registrar esta información inmediatamente y guardar en un lugar seguro para su uso futuro.



Manual Code: 9807170077-170814-GSB

Master it. Masterbuilt.

 **WARNING** 

This manual contains important information necessary for the proper assembly and safe use of the appliance.

Read and follow all warnings and instructions before assembling and using the appliance.

Follow all warnings and instructions when using the appliance.



Keep this manual for future reference.

 **CARBON MONOXIDE HAZARD** 

Burning wood chips gives off carbon monoxide, which has no odor and can cause death.

DO NOT burn wood chips inside homes, vehicles, tents, garages or any enclosed areas.

Use only outdoors where it is well ventilated.

 Failure to follow these instructions could result in fire, explosion or burn hazard which could cause property damage, personal injury, or death. 

 **WARNING** **CALIFORNIA PROPOSITION 65**

1. Combustion by-products produced when using this product contain chemicals known to the State of California to cause cancer, birth defects, and other reproductive harm.
2. This product contains chemicals known to the State of California to cause cancer, birth defects or other reproductive harm.

 **GENERAL WARNINGS AND SAFETY INFORMATION** **READ ALL INSTRUCTIONS**

- Unit is for **OUTDOOR HOUSEHOLD USE ONLY**.
- Never use inside enclosed areas such as patios, garages, buildings or tents.
- Never use inside recreational vehicles or on boats.
- Never operate unit under overhead construction such as roof coverings, carports, awnings, or overhangs.
- Never use unit as a heater (**READ CARBON MONOXIDE HAZARD**).
- Maintain a minimum distance of 10ft (3m) from overhead construction, walls, rails or other structures.
- Keep a minimum 10ft (3m) clearance of all combustible materials such as wood, dry plants, grass, brush, paper, or canvas.
- Keep appliance clear and free from combustible materials such as gasoline and other flammable vapors and liquids.
- Use unit on a level, non-combustible, stable surface such as dirt, concrete, brick or rock.
- Unit **MUST** be on the ground. Do not place unit on tables or counters. Do NOT move unit across uneven surfaces.
- Do not use unit on wooden or flammable surfaces.
- Do not leave unit unattended.
- Never use unit for anything other than its intended use. This unit is **NOT** for commercial use.

**WARNINGS & IMPORTANT SAFEGUARDS
CONTINUED ON PAGE 3**

GARANTÍA LIMITADA POR 1 AÑO DE MASTERBUILT

Masterbuilt garantiza que sus productos no presentan defectos de fabricación, ni de material ni de la mano de obra, si se los ensambla correctamente, se los utiliza de forma normal y se los cuida según las recomendaciones, durante un período de 1 año a partir de la fecha de compra original. La garantía de Masterbuilt no cubre el acabado de la pintura ya que puede salirse durante el uso normal. La garantía de Masterbuilt no cubre la oxidación de la unidad. Masterbuilt exige el comprobante de la compra para realizar reclamos de la garantía y sugiere que conserve su recibo. Después de la fecha de vencimiento de la garantía, finalizarán todas las responsabilidades.

Durante el período de vigencia establecido de la garantía, Masterbuilt, a su criterio, reemplazará los componentes defectuosos sin costo alguno, debiendo hacerse responsable el propietario de los gastos de envío. Si Masterbuilt requiere la devolución del o los componentes en cuestión para su inspección, Masterbuilt será responsable de todos los cargos de envío para devolver el artículo solicitado. Esta garantía excluye los daños ocasionados a la propiedad por el mal uso, el uso excesivo, los accidentes, el transporte o el uso comercial de este producto.

Esta garantía expresa es la única garantía entregada por Masterbuilt y reemplaza a todas las demás garantías, expresas o implícitas, incluidas las de comercialización o idoneidad para cualquier fin en particular. Ni Masterbuilt ni el establecimiento minorista que ofrece este producto, tienen autoridad alguna para otorgar garantías adicionales o prometer otros recursos que sean inconsistentes con los establecidos previamente. La responsabilidad máxima de Masterbuilt, en todos los casos, no superará el precio de compra del producto que el cliente o comprador original pagó. Algunos estados no permiten la exclusión o limitación de daños accidentales o resultantes. En dicho caso, no se aplicarán las exclusiones o limitaciones anteriores.

Solo para residentes de California: A pesar de esta limitación de garantía, se aplican las siguientes restricciones específicas; si el mantenimiento, la reparación o el reemplazo del producto no se puede realizar comercialmente, el establecimiento minorista que ofrece el producto o Masterbuilt devolverá el monto original de la compra del producto, menos el monto directamente atribuible al uso por parte del comprador original antes de informar su disconformidad. El propietario puede llevar el producto al establecimiento minorista que lo ofrece a fin de obtener la ejecución de cualquier obligación en virtud de esta garantía. Esta garantía expresa le otorga derechos legales específicos, y es posible que también tenga otros derechos que varían de un estado a otro.

Visítenos en línea en: www.masterbuilt.com
o complete este formulario y envíelo a:
A la atención de: Warranty Registration
Masterbuilt Manufacturing, LLC
1 Masterbuilt Court - Columbus, GA 31907

Nombre: _____ Dirección: _____ Ciudad: _____
Estado/Provincia: _____ Código postal: _____ Número de teléfono: (____) - _____
Correo electrónico: _____
*Número de modelo: _____ *Número de serie: _____
Fecha de compra: ____ - ____ - ____ Lugar de compra: _____

*El número de modelo y el número de serie se encuentran en la etiqueta plateada en la parte posterior de la unidad.

! GENERAL WARNINGS AND SAFETY INFORMATION !

WARNINGS & IMPORTANT SAFEGUARDS CONTINUED FROM PAGE 2

- Keep a fire extinguisher accessible at all times while operating unit.
- Before each use check all nuts, screws and bolts to make sure they are tight and secure.
- Use of alcohol, prescription or non-prescription drugs may impair user's ability to properly assemble or safely operate unit.
- Keep children and pets away from unit at all times. Do NOT allow children to use unit. Close supervision is necessary should children or pets be in area where unit is being used.
- Do NOT allow anyone to conduct activities around unit during or following its use until it has cooled.
- Avoid bumping or impacting unit.
- Never move unit when in use. Allow unit to cool completely (below 115°F (45°C)) before moving or storing.
- The unit is HOT while in use and will remain HOT for a period of time afterwards and during cooling process. Use CAUTION. Wear protective gloves/mitts.
- Do not touch HOT surfaces.
- Do not use wood pellets.
- Never use glass, plastic or ceramic cookware in unit. Never place empty cookware in unit while in use.
- Accessory attachments not supplied by Masterbuilt Manufacturing, LLC are NOT recommended and may cause injury.
- Wood tray is HOT when unit is in use. Use caution when adding wood.
- Be careful when removing food from unit. All surfaces are HOT and may cause burns.
- Use protective gloves or long, sturdy cooking tools.
- Always use unit in accordance with all applicable local, state and federal fire codes.
- Dispose of cold ashes by placing them in aluminum foil, soaking with water and discarding in a non-combustible container.
- Do not store unit with HOT ashes inside unit. Store only when all surfaces are cold.
- When using electrical appliances, basic safety precautions should always be followed including the following:
 - Do not plug in electric smoker until fully assembled and ready for use.
 - Use only approved grounded electrical outlet.
 - Do not use during an electrical storm.
 - Do not expose electric smoker to rain or water at anytime.
 - To protect against electrical shock do not immerse cord, plug or control panel in water or other liquid.
- Do not operate any appliance with a damaged cord or plug, or after appliance malfunctions or has been damaged in any manner. Contact Masterbuilt Customer Service for assistance at 1-800-489-1581.
- Longer detachable power-supply cords or extension cords are available and may be used if care is exercised in their use.

WARNINGS & IMPORTANT SAFEGUARDS CONTINUED ON PAGE 4

! GENERAL WARNINGS AND SAFETY INFORMATION !

WARNINGS & IMPORTANT SAFEGUARDS CONTINUED FROM PAGE 3

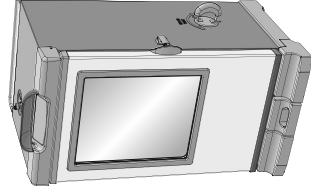
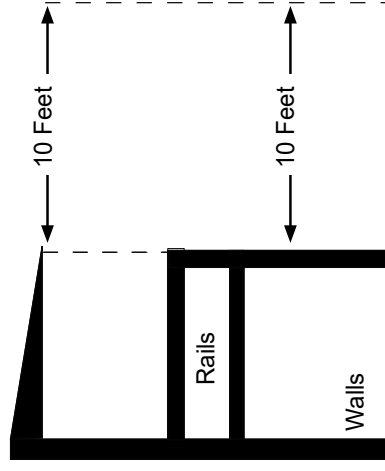
- If a longer detachable power-supply cord or extension cord is used: 1. The marked electrical rating of the cord set or extension cord should be at least as great as the electrical rating of the appliance; and 2. The cord should be arranged so that it will not drape over the counter top or tabletop where it can be pulled by children or tripped over unintentionally.
- The extension cord must be a grounding-type 3-wire cord.
- Outdoor extension cords must be used with outdoor use products and are marked with suffix "W" and with the statement "Suitable for Use with Outdoor Appliances."
- CAUTION - To reduce the risk of electric shock, keep extension cord connection dry and off the ground.
- Do not let cord hang on or touch hot surfaces.
- Do not place on or near a hot gas or electric burner, or in a heated oven.
- Fuel, such as charcoal briquettes or heat pellets, are not to be used in electric smoker.
- To disconnect, turn control panel "OFF" then remove plug from outlet.
- Unplug from outlet when not in use and before cleaning. Allow unit to cool completely before adding/removing racks, drip tray or water bowl.
- Drip tray is only for the bottom of electric smoker. Do not put drip tray on rack. This may damage electric smoker.
- Do not cover racks with metal foil. This will trap heat and cause severe damage to electric smoker.
- Do not clean this product with a water sprayer or the like.

SAVE THESE INSTRUCTIONS

STRUCTURAL PROXIMITY AND SAFETY USAGE RECOMMENDATIONS

REMINDER:
NEVER OPERATE THIS SMOKER UNDER ANY OVERHEAD CONSTRUCTION. MAINTAIN A MINIMUM DISTANCE OF 10 FEET FROM OVERHEAD CONSTRUCTION, WALLS OR RAILS.

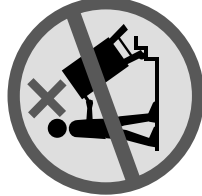
Overhead Construction



! WARNING: ELECTRIC POWER CORD IS A TRIP HAZARD !

! WARNING, AVERTISSEMENT!, ¡ADVERTENCIA! !

• Smoker should only be rolled on smooth surface.
• Ne faire rouler le fumoir que sur une surface lisse.
• El ahumador solo debe empujarse sobre una superficie lisa.



• Smoker should never be rolled up/down stairs or uneven surface.
• Ne jamais faire rouler le fumoir dans des escaliers ou sur une surface inégale.
• El ahumador nunca debe empujarse en escaleras arriba/abajo o sobre superficies desiguales.

- Potential damage to smoker or harm to user may result from failure to follow warnings.
- Si les avertissements ne sont pas respectés, des dommages au fumoir ou des blessures à l'utilisateur pourraient s'ensuivre.
- El daño potencial al ahumador o daño a algún usuario pueden ser el resultado de no seguir las advertencias.

GARANTIE LIMITÉE D'UN AN DE MASTERBUILT

Masterbuilt garantit que ses produits sont exempts de défauts de matériel et de fabrication pendant un an à partir de la date d'achat d'origine s'ils sont assemblés de la manière appropriée, utilisés normalement et entretenus de la façon recommandée. La garantie de Masterbuilt ne couvre pas la finition de peinture, car elle peut brûler au cours d'un usage normal. La garantie de Masterbuilt ne couvre pas la corrosion de l'appareil. Masterbuilt exige une preuve d'achat lors de réclamations au titre de la garantie et vous suggère de conserver votre reçu. Cette garantie prend fin dès la date d'expiration de la garantie.

Durant la période de garantie déclarée, Masterbuilt, à sa discrétion, remplacera gratuitement tout composant défectueux, le propriétaire étant responsable des frais de transport. Advenant que Masterbuilt demande que le ou les composants lui soient retournés pour inspection, Masterbuilt assumera les frais de transport pour le retour du composant demandé. Cette garantie exclut les dommages à la propriété dus à un mauvais usage, un usage abusif, un accident, un dommage résultant du transport ou un dommage dû à un usage commercial de ce produit.

Cette garantie exprime est la seule garantie donnée par Masterbuilt et remplace toute garantie, expresse ou implicite, y compris une garantie de valeur marchande ou d'adaptation à un usage particulier. Ni Masterbuilt ni le détaillant qui vend ce produit ne sont autorisés à fournir des garanties ou à promettre quoi que ce soit qui excède ou qui contredise ce qui est énoncé ci-dessus. La responsabilité maximale de Masterbuilt, dans tous les cas, ne peut dépasser le prix d'achat de l'article payé par le consommateur/l'acheteur d'origine.

Certains états/certaines provinces ne permettent pas l'exclusion ou les restrictions des dommages fortuits ou indirects. Dans de tels cas, les restrictions ou exclusions qui précèdent peuvent ne pas être applicables.

Résidents de la Californie seulement : nonobstant cette limite de la garantie, les restrictions particulières s'appliquent : si la révision, la réparation ou le remplacement de l'article n'est pas commercialement faisable, le détaillant qui a vendu l'article ou Masterbuilt remboursera le prix d'achat payé pour cet article, moins le montant directement imputable à l'usage qu'en aura fait l'acheteur d'origine avant la découverte de la non-conformité. Le propriétaire peut rapporter le produit au détaillant qui le lui a vendu pour bénéficier des privilèges que lui accorde la présente garantie. Cette garantie exprime vous confère des droits légaux spécifiques et vous pouvez également avoir d'autres droits qui varient d'un état à l'autre.



Visitez en ligne www.masterbuilt.com
ou remplissez et renvoyez à
Attn : Warranty Registration
Masterbuilt Manufacturing, LLC
1 Masterbuilt Court - Columbus, GA 31907

Nom : _____ Adresse : _____ Ville : _____

État/Province : _____ Code postal : _____ Numéro de téléphone : (____) - _____

Adresse de courriel : _____

*Numéro de modèle : _____ *Numéro de série : _____

Date de l'achat : ____-____-____ Lieu de l'achat : _____

* Les numéros de série et de modèle se trouvent sur l'étiquette argentée derrière l'appareil.

MASTERBUILT 1-YEAR LIMITED WARRANTY

Masterbuilt warrants its products to be free from defects in material and workmanship under proper assembly, normal use and recommended care for 1-year from the date of original retail purchase. The Masterbuilt warranty does not cover paint finish as it may burn off during normal use. The Masterbuilt warranty does not cover rust of the unit. Masterbuilt requires proof of purchase for warranty claims and suggests that you keep your receipt. Upon the expiration of such warranty, all such liability shall terminate.

Within the stated warranty period, Masterbuilt, at its discretion, shall replace defective components free of charge, with the owner being responsible for shipping. Should Masterbuilt require return of component(s) in question for inspection, Masterbuilt will be responsible for shipping charges to return requested item. This warranty excludes property damage sustained due to misuse, abuse, accident, damage arising out of transportation, or damage incurred by commercial use of this product.

This expressed warranty is the sole warranty given by Masterbuilt and is in lieu of all other warranties, expressed or implied including merchantability, or fitness for a particular purpose. Neither Masterbuilt nor the retail establishment selling this product has authority to make any warranties or to promise remedies in addition to or inconsistent with those stated above. Masterbuilt's maximum liability, in any event, shall not exceed the purchase price of the product paid by the original consumer/ purchaser. Some states do not allow the exclusion or limitation of incidental or consequential damages. In such a case, the above limitations or exclusions may not be applicable.

California residents only: Notwithstanding this limitation of warranty, the following specific restrictions apply; if service, repair, or replacement of the product is not commercially practical, the retailer selling the product or Masterbuilt will refund the purchase price paid for the product, less the amount directly attributable to use by the original buyer prior to the discovery of the nonconformity. Owner may take the product to the retail establishment selling this product in order to obtain performance under warranty.

This expressed warranty gives you specific legal rights, and you may also have other rights which vary from state to state.



Go online www.masterbuilt.com
or complete and return to
Attn: Warranty Registration
Masterbuilt Manufacturing, LLC
1 Masterbuilt Court - Columbus, GA 31907

Name: _____ Address: _____ City: _____

State/Province: _____ Postal Code: _____ Phone Number: (____) - _____

E-mail Address: _____

*Model Number: _____ *Serial Number: _____

Purchase Date: ____ - ____ - ____ Place of Purchase: _____

**Model Number and Serial Number are located on silver label on back of unit.*

MASTERBUILT TIPS FOR SUCCESSFUL SMOKING

- This is a slow smoker... allow sufficient time for cooking. Smoker is for **OUTDOOR USE ONLY**.
- Pre-season smoker prior to first use. See **PRE-SEASON INSTRUCTIONS**.
- Pre-heat smoker for 30 to 45 minutes at max temperature before loading food.
- If wood chips do not smoke on low setting, increase temperature to 275°. After 8 to 10 minutes or when wood chips begin to smolder, reduce temperature to desired low setting.
- You may use dry or pre-soaked wood chips in your smoker. Dry chips will burn faster and produce more intense smoke. Chips pre-soaked in water (for approximately 30 minutes) will burn slower and produce a less intense smoke.
- **DO NOT** cover racks with aluminum foil as this will not allow heat to circulate properly.
- Do not overload smoker with food. Extra large amounts of food may trap heat, extend cooking time and cause uneven cooking. Leave space between food on racks and smoker sides to ensure proper heat circulation. If utilizing cooking pans, place pans on center of rack to ensure even cooking. Never use glass, plastic or ceramic cookware in unit.
- Extreme cold temperatures may extend cooking times.
- **CLEAN AFTER EVERY USE.** This will extend the life of your smoker and prevent mold and mildew. See **HOW TO CLEAN AND STORE SMOKER** instructions.

ENJOY!

HOW TO CLEAN AND STORE SMOKER

- Be sure to clean smoker after each use. Make sure your smoker is unplugged and completely cool.
- For rack supports, racks, water bowl and drip pan use a mild dish detergent. Rinse and dry thoroughly.
- For wood chip tray and wood chip loader, clean frequently to remove ash build up, residue and dust.
- Dispose of cold ashes by placing them in aluminum foil, soaking with water and discarding in a non-combustible container.
- For the interior, glass in door, and exterior of smoker, simply wipe down with a damp cloth. Do not use a cleaning agent. Make sure to dry thoroughly.
- After cleaning, store smoker in a covered and dry area.
- When not in frequent use and using a cover, remember to check your smoker periodically to avoid possible rust and corrosion due to moisture buildup.
- Watch a video with step by step instructions on how to clean your smoker at www.youtube.com/MasterbuiltElectricSmokehouse: Cleaning and Storage.

**ALWAYS MAKE SURE UNIT IS COOL
TO THE TOUCH BEFORE CLEANING AND STORING.**

AVERTISSEMENT !

Ce manuel contient des informations qui sont nécessaires pour une utilisation sûre et appropriée de cet appareil. Lire et respecter la totalité des instructions et des avertissements fournis avant d'assembler et d'utiliser l'appareil.

Respecter la totalité des instructions et des avertissements lors de l'utilisation de l'appareil.


Conservé ce manuel pour référence ultérieure.

DANGER DU MONOXYDE DE CARBONE !

La combustion de copeaux de bois dégage du monoxyde de carbone qui n'a pas d'odeur et peut causer la mort. **NE brûlez PAS de copeaux de bois à l'intérieur d'habitations, de véhicules, de tentes, de garages ou d'espaces fermés.**

Utilisez uniquement à l'extérieur avec de bonnes conditions de ventilation.

Le non-respect de ces instructions pourrait déclencher un incendie, une explosion ou infliger des brûlures, pouvant résulter en des dommages matériels, des blessures ou la mort.

 **À défaut de suivre ces instructions, un incendie, une explosion ou des brûlures pourraient survenir, entraînant des dommages matériels ou des blessures, voire la mort.**

AVERTISSEMENT !

PROPOSITION 65 DE L'ÉTAT DE CALIFORNIE

1. Les sous-produits de combustion résultant de l'utilisation de ce produit contiennent des substances chimiques reconnues cancérogènes ou susceptibles de provoquer des malformations congénitales ou d'autres anomalies des fonctions de la reproduction.
2. Ce produit contient des substances chimiques reconnues cancérogènes par l'État de Californie, ou susceptibles de provoquer des malformations congénitales ou d'autres anomalies de la reproduction

RENSEIGNEMENTS GÉNÉRAUX D'AVERTISSEMENT ET DE SÉCURITÉ

LIRE TOUTES LES INSTRUCTIONS

- Appareil destiné UNIQUEMENT à une UTILISATION EN DOMESTIQUE EXTÉRIEUR.
- Ne jamais utiliser l'appareil dans un lieu fermé, tel qu'un patio, un garage, un édifice ou une tente.
- Ne jamais utiliser l'appareil à l'intérieur de véhicules récréatifs ou de bateaux.
- Ne jamais faire fonctionner l'appareil sous une structure surélevée telle qu'un toit, un abri d'auto, une marquise ou un auvent.
- Ne jamais utiliser l'appareil comme système de chauffage (LIRE LE DANGER LIÉ AU MONOXYDE DE CARBONE).
- Conservé une distance minimale de 3 m (10 pi) entre l'appareil et une structure surélevée, un mur, une rampe ou toute autre installation.
- Conservé une distance minimale de 3 m (10 pi) entre l'appareil et tout matériau combustible tel que le bois, les plantes sèches, le gazon, les broussailles, le papier ou la toile.
- Eloigner l'appareil de tout matériau combustible tel que l'essence ou autres liquides, gaz et vapeurs inflammables.
- Placer l'appareil sur une surface stable, plate et non combustible telle que la terre battue, le béton, la brique ou la pierre.
- L'appareil DOIT être posé au sol. Ne pas placer l'appareil sur une table ou un comptoir. Ne PAS déplacer l'appareil sur des surfaces inégales.
- Ne pas utiliser l'appareil sur des surfaces en bois ou inflammables.

SUITE DES AVERTISSEMENTS ET CONSEILS IMPORTANTES POUR LA SÉCURITÉ À LA PAGE 7

FCC WARNING

This device complies with Part 15 of the FCC Rules. Operation is subject to the following two conditions:

- (1) this device may not cause harmful interference, and
- (2) this device must accept any interference received, including interference that may cause undesired operation.

FCC Warning

Warning: Changes or modifications to this unit not expressly approved by the party responsible for compliance could void the user's authority to operate the equipment.

FCC Statement

NOTE: This equipment has been tested and found to comply with the limits for a Class B digital device, pursuant to Part 15 of the FCC Rules. These limits are designed to provide reasonable protection against harmful interference in a residential installation. This equipment generates uses and can radiate radio frequency energy and, if not installed and used in accordance with the instructions, may cause harmful interference to radio communications.

However, there is no guarantee that interference will not occur in a particular installation. If this equipment does cause harmful interference to radio or television reception, which can be determined by turning the equipment off and on, the user is encouraged to try to correct the interference by one or more of the following measures:

1. Reorient or relocate the receiving antenna.
2. Increase the separation between the equipment and receiver.
3. Connect the equipment into an outlet on a circuit different from that to which the receiver is connected.
4. Consult the dealer or an experienced radio/TV technician for help.

AVERTISSEMENT DE LA FCC

Cet appareil est conforme à la partie 15 du règlement de la FCC. Le fonctionnement est soumis aux deux conditions suivantes :

- (1) cet appareil ne doit pas causer d'interférences nuisibles, et
- (2) cet appareil doit accepter toute interférence reçue, y compris des interférences qui peuvent provoquer un fonctionnement non désiré.

Avertissement de la FCC

Avertissement: Tout changement ou modification, non expressément approuvé par la partie responsable de la conformité, peut annuler l'autorisation de l'utilisateur à utiliser cet appareil.

Déclaration de la FCC

REMARQUE : Cet appareil a été testé et est conforme aux limites imposées aux dispositifs numériques de classe B, conformément à la section 15 des règlements du FCC. Ces limites sont conçues pour offrir une protection raisonnable contre les interférences nuisibles dans une installation résidentielle. Cet appareil génère, utilise et peut émettre une énergie radiofréquence

et peut, s'il n'est pas installé et utilisé selon les consignes, causer des interférences nuisibles aux communications radios.

Cependant, il n'y a aucune garantie que des interférences ne se produiront pas dans une installation donnée. Si cet appareil cause des interférences nuisibles à la réception des signaux de radio ou de télévision, ce qui peut être déterminé en allumant et en éteignant l'appareil, on encourage l'utilisateur d'essayer de corriger ces interférences par l'un des moyens suivants :

1. Réorienter l'antenne réceptrice ou la placer à un autre endroit.
2. Augmenter la distance entre l'appareil et le récepteur.
3. Brancher l'appareil dans une prise de courant se trouvant sur un circuit électrique autre que celui auquel il est branché actuellement.
4. Communiquer avec un technicien radio/télévision pour obtenir de l'aide.

ADVERTENCIA DE LA FCC

Este dispositivo cumple con la Parte 15 de las Reglas de la FCC. La operación está sujeta a las siguientes dos condiciones:

- (1) este dispositivo no puede causar interferencias dañinas y
- (2) este dispositivo debe aceptar cualquier interferencia recibida, incluyendo la interferencia que pueda causar una operación no deseada.

Advertencia de la FCC

Advertencia: Los cambios o modificaciones a esta unidad que no estén explícitamente aprobados por la parte responsable para el cumplimiento, podrían invalidar la autoridad del usuario de operar el equipo.

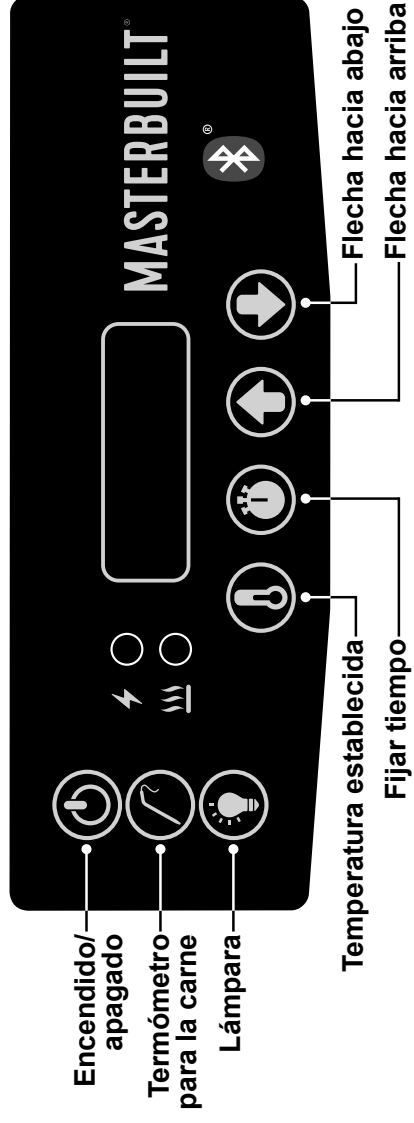
Declaración de la FCC

NOTA: Este equipo ha sido probado y se ha demostrado que cumple con los límites para un dispositivo digital Clase B, conforme a la Parte 15 de las Reglas de la FCC. Estos límites han sido diseñados para ofrecer una protección razonable contra interferencias dañinas en una instalación residencial. Este equipo genera, usa y puede irradiar una energía de radiofrecuencia y, si no se instala y usa en conformidad con las instrucciones, podría ocurrir una interferencia dañina a las radiocomunicaciones.

Sin embargo, no hay garantía de que las interferencias no vayan a ocurrir en una instalación en particular. Si este equipo causa interferencias dañinas a la recepción de radio o televisión, lo que puede determinarse encendiendo y apagando el equipo, el usuario deberá intentar corregir la interferencia mediante una o más de las siguientes medidas:

1. Reorientar o reubicar la antena de recepción.
2. Aumentar la separación entre el equipo y el receptor.
3. Conectar el equipo en un tomacorriente en un circuito distinto de donde está conectado el receptor.
4. Consulte con el representante o un técnico experimentado en radio/TV si necesita ayuda.

CÓMO USAR EL PANEL DE CONTROL



Nota: La luz solar directa puede interferir con la habilidad de leer la pantalla LED, bloquee la luz de ser necesario.

Para programar la temperatura:

- Oprima el botón de encendido (ON).
 - Oprima una vez el botón Temperatura establecida; la pantalla LED parpadeará.
 - Use flechas hacia arriba o hacia abajo para elegir la temperatura.
 - Vuelva a presionar el botón Temperatura establecida para fijar la temperatura seleccionada.
- Nota: El ahumador no se calentará hasta que no se programe el temporizador.

Para programar el temporizador:

- Oprima una vez el botón Fijar tiempo; la pantalla luminica parpadeará.
- Use flechas hacia arriba o hacia abajo para elegir la cantidad de horas.
- Vuelva a presionar el botón Fijar tiempo para fijar la cantidad de horas seleccionada. El indicador luminoso de los minutos comenzará a parpadear.
- Use flechas hacia arriba o hacia abajo para elegir la cantidad de minutos.
- Oprima Fijar tiempo para fijar la cantidad de minutos y comenzar el ciclo de cocción.

El ahumador dejará de calentarse cuando transcurra el tiempo fijado.

Cómo usar el termómetro para la carne:

- Introduzca el termómetro en el centro de la pieza de carne, para obtener una lectura más precisa.
- Presione y mantenga presionado el botón Termómetro para la carne, la pantalla de diodos mostrará la temperatura interna de la carne.
- Al liberar el botón Termómetro para la carne, la pantalla de diodos volverá a la opción de configuración de temperatura o tiempo.

Cómo usar la lámpara:

- Oprima el botón Lámpara para encender la lámpara.
- Oprima el botón Lámpara para apagar la lámpara.

Para INICIALIZAR el panel de control:

Si el panel de control muestra un mensaje de error, apague el ahumador, desconecte el tomacorriente y espere diez segundos, vuelva a conectarlo al tomacorriente y enciéndalo. Esto inicializará el panel de control.

CÓMO USAR BLUETOOTH

Cómo emparejar su ahumador Bluetooth:

1. Ir a la App Store de Apple o Google Play Store en el dispositivo (s) y la búsqueda de “ Masterbuilt “ o ir a www.masterbuilt.com/apps .
2. Descarga la aplicación Masterbuilt.
3. Una vez finalizada la descarga , abre la aplicación Masterbuilt y siga las instrucciones para vincular el fumador y el dispositivo Bluetooth (s) móvil.
4. Para solucionar problemas de asesoramiento visite www.masterbuilt.com/apps.

RENSEIGNEMENTS GÉNÉRAUX

D'AVERTISSEMENT ET DE SÉCURITÉ

SUITE DES AVERTISSEMENTS ET CONSEILS IMPORTANTS POUR LA SECURITE DE LA PAGE 6

- Ne pas laisser l'appareil sans surveillance.
- Ne pas utiliser l'appareil à d'autres fins que celle pour laquelle il a été conçu. NE PAS utiliser cet appareil à des fins commerciales.
- Conserver un extincteur accessible à tout moment pendant le fonctionnement de l'appareil.
- Avant toute utilisation, vérifier la totalité des écrous, des vis et des boulons afin de s'assurer qu'ils sont bien serrés.
- La consommation d'alcool ou de médicaments, sous ordonnance ou en vente libre, peut affecter la capacité de l'utilisateur à assembler correctement l'appareil ou à le faire fonctionner de manière sûre.
- Éloigner les enfants et les animaux de l'appareil en tout temps. NE PAS laisser les enfants utiliser l'appareil. Une surveillance attentive est nécessaire si des enfants ou des animaux sont présents à proximité de l'appareil en cours d'utilisation.
- NE permettre à PERSONNE de mener des activités autour de l'appareil pendant ou après son fonctionnement, tant qu'il n'a pas refroidi.
- Éviter de cogner ou de frapper l'appareil.
- Ne jamais déplacer l'appareil pendant l'utilisation. Attendre que l'appareil ait refroidi complètement (température inférieure à 45 °C [115 °F]) avant de le déplacer ou de l'entreposer.
- L'appareil est CHAUD en cours d'utilisation et reste CHAUD un certain temps et pendant le refroidissement. Faire ATTENTION. Porter des gants de protection.
- Ne pas toucher les surfaces CHAUDES.
- Ne pas utiliser de granules de bois.
- Ne jamais placer de verre, de plastique ni de céramique dans l'appareil. Ne pas mettre d'articles de cuisine vides dans l'appareil pendant son utilisation.
- L'utilisation d'accessoires non fournis par Masterbuilt Manufacturing, LLC N'est PAS recommandée et peut provoquer des blessures.
- Le bac à bois est CHAUD quand l'appareil est en cours d'utilisation. Faire preuve de prudence en ajoutant du bois.
- Retirer les aliments de l'appareil avec prudence. Toutes les surfaces sont CHAUDES et peuvent infliger des brûlures. Utiliser des gants de protection ou des ustensiles de cuisine longs et résistants.
- Toujours utiliser l'appareil conformément à tous les codes d'incendie locaux, fédéraux et provinciaux en vigueur.
- Jeter les cendres froides en les enveloppant dans une feuille d'aluminium, puis en trempant le tout dans de l'eau avant de le jeter dans un récipient non combustible.
- Ne pas entreposer l'appareil avec des cendres encore CHAUDES à l'intérieur. Ne l'entreposer que lorsque toutes les surfaces sont froides.
- Lors de l'utilisation d'appareils électriques, des précautions de sécurité de base doivent toujours être suivies, dont les suivantes :
 - Ne brancher le fumoir que lorsqu'il est entièrement assemblé et prêt à l'emploi.
 - Utiliser une prise électrique mise à la terre homologuée.
 - Ne pas utiliser durant un orage électrique.
 - Ne jamais exposer le fumoir électrique à la pluie ou à l'eau.
 - Afin d'éviter les chocs électriques, ne pas immerger le cordon électrique, les fiches ni le panneau de contrôle dans de l'eau ou tout autre liquide.
- Ne pas faire fonctionner l'appareil avec une fiche ou un cordon d'alimentation endommagé, après qu'il ait présenté un dysfonctionnement ou s'il est endommagé d'une quelconque manière. Contacter le service à la clientèle de Masterbuilt pour obtenir de l'aide en composant le 1-800-489-1581.
- Des rallonges ou des cordons d'alimentation plus longs sont disponibles et peuvent être utilisés en faisant preuve de prudence.

SUITE DES AVERTISSEMENTS ET CONSEILS IMPORTANTS POUR LA SÉCURITÉ À LA PAGE 8



RENSEIGNEMENTS GÉNÉRAUX D'AVERTISSEMENT ET DE SÉCURITÉ



SUITE DES AVERTISSEMENTS ET CONSEILS IMPORTANTES POUR LA SÉCURITÉ DE LA PAGE 7

- Si une rallonge ou un cordon d'alimentation plus long est utilisé : 1. La capacité nominale du cordon ou de la rallonge doit correspondre au minimum à celle de l'appareil, et : 2. Le cordon doit être disposé de telle sorte qu'il ne pendra pas du comptoir ou de la table, ce qui permettrait à des enfants de tirer dessus ou risquerait de faire basculer l'appareil en accrochant le cordon par accident.
- La rallonge doit consister en un cordon à 3 fils avec mise à la terre.
- Les rallonges extérieures doivent être utilisées avec des appareils destinés à une utilisation en extérieur et doivent être marquées d'un « W » accompagné de la mention « Suitable for Use with Outdoor Appliances » (Approuvée pour des appareils à usage en extérieur).
- ATTENTION : pour réduire le risque de choc électrique, maintenir la rallonge sèche et au-dessus du sol.
- Ne pas laisser le cordon pendre au-dessus de surfaces chaudes ni les toucher.
- Ne pas placer l'appareil sur une plaque à gaz ou électrique allumée, ni à proximité, ni dans un four chaud.
- Du combustible tel que des briquettes de charbon ou des granulés de chauffage, ne doit pas être utilisé dans le fumeur électrique.
- Pour procéder au débranchement, mettre le panneau de commande sur « OFF/ARRÊT » puis retirer la fiche de la prise.
- Débrancher l'appareil lorsqu'il ne sert pas et avant de le nettoyer. Laisser l'appareil refroidir complètement avant d'ajouter/d'enlever des grilles, la lèchefrite ou le bac à eau.
- La lèchefrite est destinée uniquement à être placée en bas du fumeur électrique. Ne pas placer la lèchefrite sur une grille au risque d'endommager le fumeur électrique.
- Ne pas couvrir les grilles avec du papier métallique. En accumulant la chaleur, cela pourrait gravement endommager le fumeur électrique.
- Ne pas nettoyer cet article avec un système de pulvérisation d'eau ou similaire.

CONSERVER CES INSTRUCTIONS

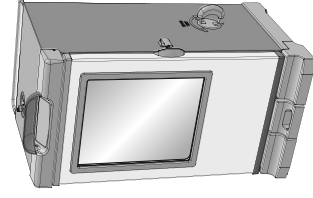
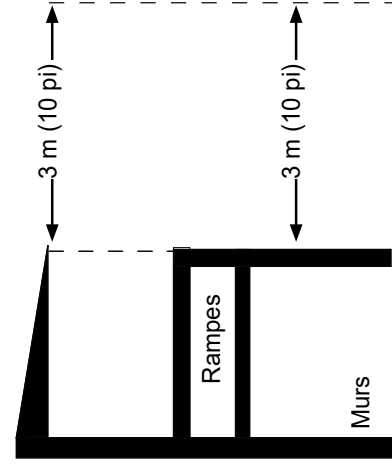
PROXIMITÉ DE STRUCTURES ET RECOMMANDATIONS DE SÉCURITÉ

RAPPEL :

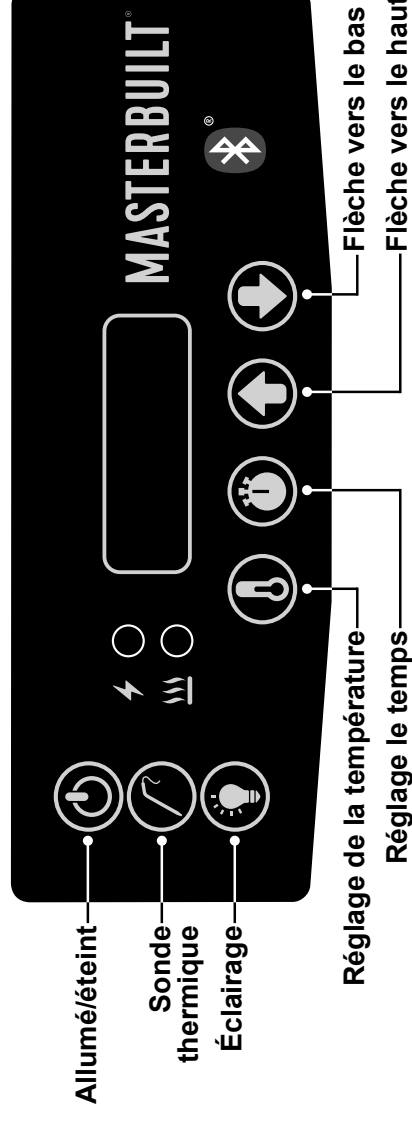
NE JAMAIS UTILISER CE FUMOIR SOUS DES STRUCTURES SURÉLEVÉES MAINTENIR UNE DISTANCE MINIMALE DE 3 M (10 PI) ENTRE LE GRIL ET LES STRUCTURES SURÉLEVÉES, LES MURS ET LES RAMPES.

AVERTISSEMENT :
RISQUE DE TRÉBUCHER
SUR LE CORDON
ÉLECTRIQUE
D'ALIMENTATION

Construction surélevée



UTILISATION DU PANNEAU DE COMMANDE



Remarque : La lumière directe du soleil peut empêcher de lire correctement l'afficheur à DEL; au besoin, bloquez la lumière.

Régler la température :

- Appuyer sur le bouton « Allumé/éteint ».
 - Appuyer une fois sur le bouton « Réglage de la température », l'affichage se mettra à clignoter.
 - Utiliser flèches haut ou bas pour régler la température.
 - Appuyer de nouveau sur le bouton « Réglage de la température » pour programmer la température.
- Note : Le fumeur ne commence pas à chauffer tant que la minuterie n'a pas été programmée.

Régler la minuterie :

- Appuyer une fois sur le « Réglage le temps », l'affichage des heures se mettra à clignoter.
- Utiliser flèches haut ou bas pour régler les heures.
- Appuyer de nouveau sur le bouton « Réglage le temps » pour programmer les heures. L'affichage des minutes se mettra à clignoter.
- Utiliser flèches haut ou bas pour régler les minutes.
- Appuyer sur « Réglage le temps » pour programmer les minutes et démarrer un cycle de cuisson.

La chaleur s'éteindra lorsque la durée est écoulee.

Utiliser la sonde thermique :

- Insérer la sonde thermique au plus près du centre de la pièce de viande pour obtenir la température la plus juste.
- Appuyer et maintenir le bouton « Sonde thermique », l'affichage DEL indiquera la température interne de la viande.
- Dès que le bouton sonde thermique est relâché, l'affichage revient à la fonction de réglage de la température ou de la minuterie.

Utiliser le éclairage :

- Appuyer sur le bouton « Éclairage » pour activer le éclairage.
- Appuyer sur le bouton « Éclairage » pour désactiver le éclairage.

Pour RÉINITIALISER le panneau de commande :

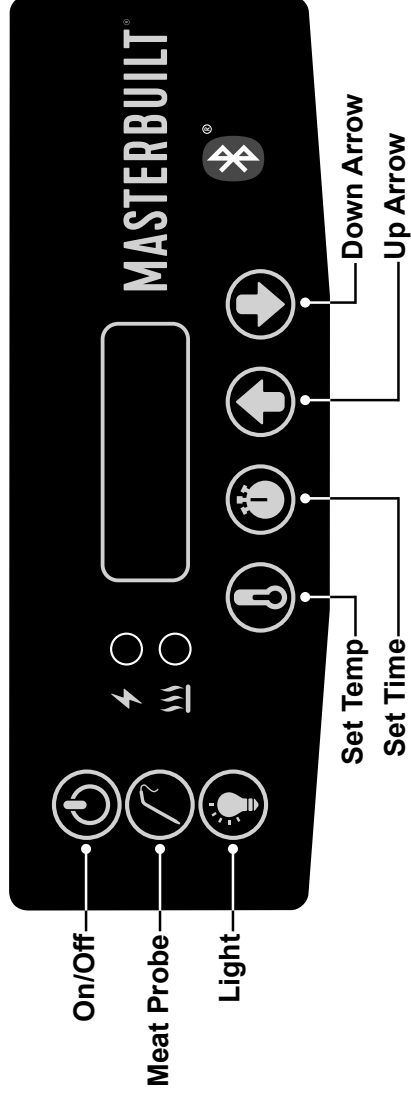
Si le panneau de commande affiche un message d'erreur, éteignez le fumeur, débranchez l'appareil de la prise murale, attendez dix secondes, rebranchez l'appareil sur la prise murale, puis rallumez le fumeur. Cela réinitialisera le panneau de commande.

COMMENT UTILISER BLUETOOTH

Comment coupler votre fumeur Bluetooth:

1. Aller à l'Apple App Store ou Google Play Store sur votre appareil (s) et la recherche de "Masterbuilt" ou aller à www.masterbuilt.com/apps.
2. Téléchargez l'application Masterbuilt.
3. Une fois le téléchargement terminé, ouvrez l'application Masterbuilt et suivez les instructions pour le jumelage de votre fumeur Bluetooth et le dispositif (s) mobile.
4. Pour obtenir des conseils de dépannage s'il vous plaît visitez www.masterbuilt.com/apps.

HOW TO USE THE CONTROL PANEL



Note: Direct sunlight may interfere with ability to read LED display. Block light if needed.

To set temperature:

- Press ON/OFF button.
 - Press SET TEMP button once-LED display will blink.
 - Use up or down arrows to set temperature.
 - Press SET TEMP button again to lock in temperature.
- Note: Heating will not begin until timer is set.

To set timer:

- Press SET TIME button once-LED display for hours will blink.
- Use up or down arrows to set hours.
- Press SET TIME button again to lock in hours-LED display for minutes will start blinking.
- Use up or down arrows to set minutes.
- Press SET TIME to lock in minutes and start cook cycle.

Heat will turn off when time has expired.

To use meat probe (if featured):

- Insert meat probe into center of meat to get most accurate reading.
- Press and hold MEAT PROBE button-LED display will show internal temperature of meat.
- Once MEAT PROBE button is released-LED display will return to set temperature or set time.

To use light:

- Press LIGHT button to turn light on.
- Press LIGHT button to turn light off.

To RESET control panel:

If control panel shows an error message, turn electric smoker off. Unplug unit from outlet. Wait ten seconds. Plug unit back into outlet then turn electric smoker on. This will reset control panel.

HOW TO USE BLUETOOTH

How to pair your Bluetooth smoker:

1. Go to the Apple App Store or Google Play Store on your device(s) and search for "Masterbuilt" or go to www.masterbuilt.com/apps.
2. Download the Masterbuilt app.
3. Once the download is complete, open the Masterbuilt app and follow the instructions for pairing your Bluetooth smoker and mobile device(s).
4. For troubleshooting advice please visit www.masterbuilt.com/apps.

LES ASTUCES DE MASTERBUILT POUR UN FUMAGE RÉUSSI

- Ce fumoir est lent... prévoir suffisamment de temps pour la cuisson. Ce fumoir est conçu pour une **UTILISATION EN EXTÉRIEUR EXCLUSIVEMENT**.
- Cullotter le fumoir avant la première utilisation. Voir les INSTRUCTIONS DE CULOTTAGE.
- Préchauffer le fumoir pendant 30 à 45 minutes à température maximale avant d'y placer les aliments.
- Avec des copeaux de bois, ne pas fumer à basse température mais l'augmenter à 275°. Après 8 à 10 minutes ou lorsque les copeaux sont en braise, réduire la température au réglage souhaité.
- Le fumoir peut être utilisé avec des copeaux de bois secs ou prétrempés. Les copeaux secs brûlent plus vite et produisent une fumée plus intense. Les copeaux prétrempés dans l'eau (30 minutes environ) brûlent plus lentement et produisent une fumée moins intense.
- **NE PAS** couvrir les grilles de papier d'aluminium au risque de gêner la circulation adéquate de la chaleur.
- Ne pas surcharger d'aliments le fumoir. De trop grandes quantités d'aliments risquent de piéger la chaleur, d'allonger la durée de cuisson et de rendre la cuisson inégale. Laisser de l'espace entre les aliments sur les grilles et entre les aliments et les côtés du fumoir afin d'assurer la libre circulation de la chaleur. En utilisant des plats de cuisson, les placer au centre de la grille pour une cuisson égale. Ne jamais utiliser de plats en verre, plastique ou céramique dans l'appareil.
- Des températures extrêmement froides peuvent prolonger les durées de cuisson.
- **NETTOYER LE FUMOIR APRÈS CHAQUE UTILISATION** pour prolonger sa durée de vie et éviter les moisissures. Voir les instructions : **COMMENT NETTOYER ET ENTREPOSER LE FUMOIR.**

PROFITEZ-EN!

COMMENT NETTOYER ET ENTREPOSER LE FUMOIR

Veiller à nettoyer le fumoir après chaque utilisation. S'assurer que le fumoir est débranché et complètement refroidi.

Pour les supports de grilles, grilles, bac à eau et lèche-frite, utiliser un détergent à vaisselle doux. Rincer et sécher soigneusement.

Nettoyer fréquemment le bac à copeaux de bois et le chargeur de copeaux afin d'éviter l'accumulation de cendres, résidus et poussière.

Mettre au rebut les cendres froides en les enveloppant dans une feuille d'aluminium, puis en trempant le tout dans de l'eau avant de le jeter dans un récipient non combustible.

Nettoyer l'intérieur, le verre de la porte et l'extérieur du fumoir en essayant simplement les surfaces avec un chiffon humide. Ne pas utiliser de produit de nettoyage. Veiller à bien sécher ces surfaces.

Après l'avoir nettoyé, entreposer le fumoir dans un lieu couvert et sec.

Quand le fumoir n'est pas utilisé fréquemment et qu'il est couvert, penser à le vérifier périodiquement afin d'éviter la rouille et toute corrosion dues à l'accumulation d'humidité.

Regarder une vidéo avec des instructions étape par étape sur la façon de nettoyer votre fumoir à : www.youtube.com/Masterbuilt Electric Smokehouse: Cleaning and Storage (Nettoyage et stockage du fumoir Masterbuilt).

VEILLEZ À TOUJOURS VOUS ASSURER QUE L'APPAREIL EST FROID AU TOUCHER AVANT DE LE NETTOYER ET DE LE REMISER.

⚠️ ADVERTENCIA ⚠️

Este manual contiene información importante necesaria para el correcto ensamblaje y uso seguro del artefacto.

Lea y siga todas las advertencias e instrucciones antes de ensamblar y usar el aparato.

Siga todas las advertencias e instrucciones cuando use la unidad.

Conserve este manual para referencia en el futuro.

⚠️ PELIGRO DE MONÓXIDO DE CARBONO ⚠️

Quemar trozos de madera genera monóxido de carbono, el cual no tiene olor y puede causar la muerte.

NO quemar los trozos de madera dentro de los hogares, vehículos, tiendas de acampar, garajes o cualquier área cerrada.

Use solamente las áreas exteriores donde está bien ventilado.

⚠️ Si no sigue estas instrucciones, podría producirse un peligro de incendio, explosión o quemadura, lo cual podría causar daños a la propiedad, lesiones personales o la muerte. ⚠️

⚠️ ADVERTENCIA ⚠️

PROPOSTA 65 DE CALIFORNIA

1. Los subproductos combustibles producidos a raíz de la utilización de este producto contienen químicos cuyos efectos son reconocidos por el Estado de California por causar cáncer, defectos de nacimiento y otros daños reproductivos.
2. Este producto contiene químicos, cuyos efectos son reconocidos por el Estado de California por causar cáncer, defectos de nacimiento u otros daños reproductivos.

⚠️ INFORMACIÓN DE SEGURIDAD Y ADVERTENCIAS GENERALES ⚠️

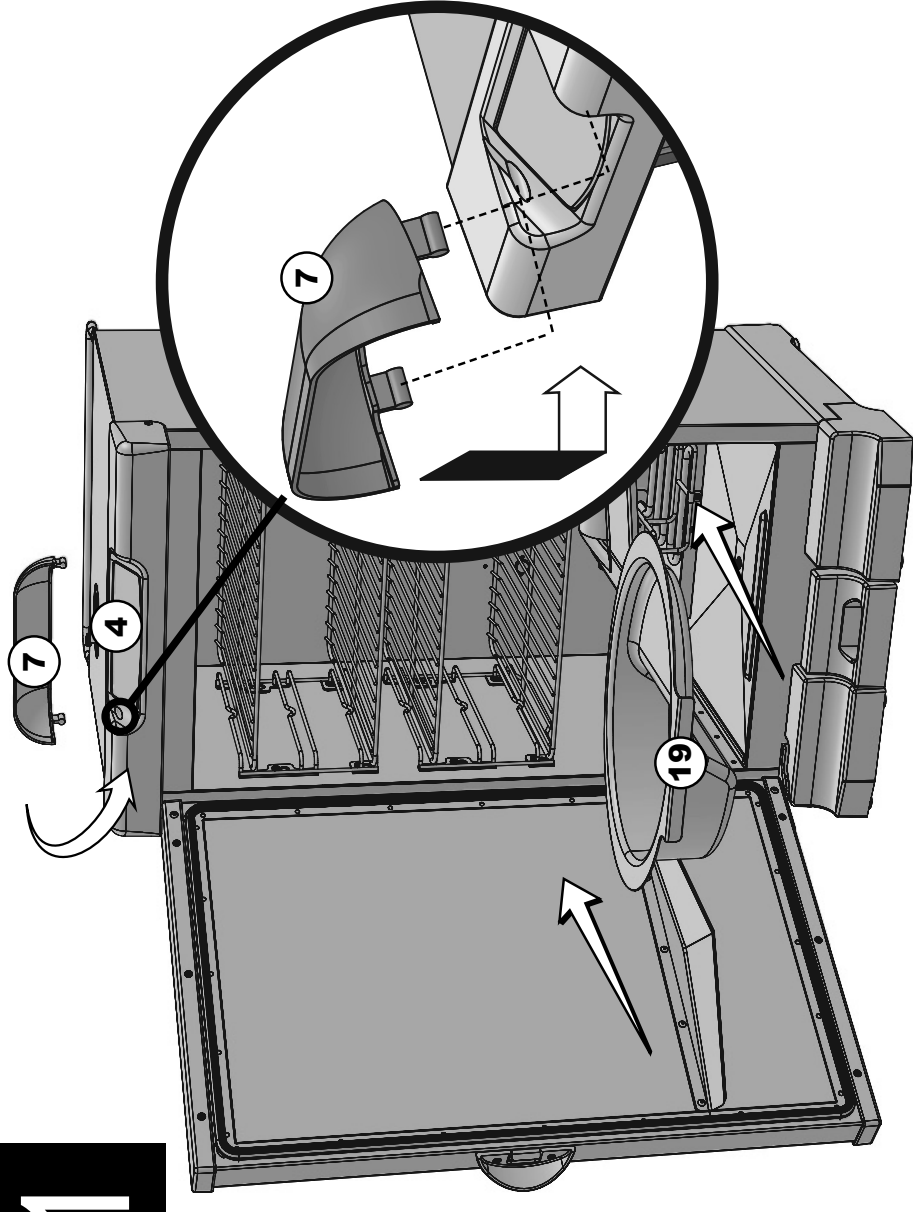
LEA TODAS LAS INSTRUCCIONES

- La unidad es **SOLAMENTE DE USO DOMÉSTICO EN EXTERIORES**.
- Nunca use dentro de áreas cerradas como patios, garajes, edificios o tiendas.
- Nunca use en vehículos recreativos o botes.
- Nunca opere esta unidad bajo ninguna construcción aérea, como cubiertas de techos, porches de autos, toldos o voladizos.
- Nunca utilice esta unidad como un calentador (**LEER PELIGRO DE MONÓXIDO DE CARBONO**).
- Mantenga una distancia mínima de 10 pies (3m) de construcciones aéreas, paredes, rieles u otras estructuras.
- Mantenga un mínimo de 10 pies (3m) de espacio libre de todos los materiales combustibles como madera, plantas secas, césped, escobillas, papel o lienzos.
- Mantenga el área alrededor del artefacto despejada y libre de materiales combustibles, como gasolina y otros vapores y líquidos inflamables.
- Use la unidad sobre una superficie no combustible y estable tal como tierra, concreto, ladrillo o piedra.
- La unidad **DEBE** estar sobre el suelo. No coloque la unidad en mesas o mostradores. **NO** mueva la unidad por superficies desiguales.
- No use la unidad en superficies de madera o inflamables.

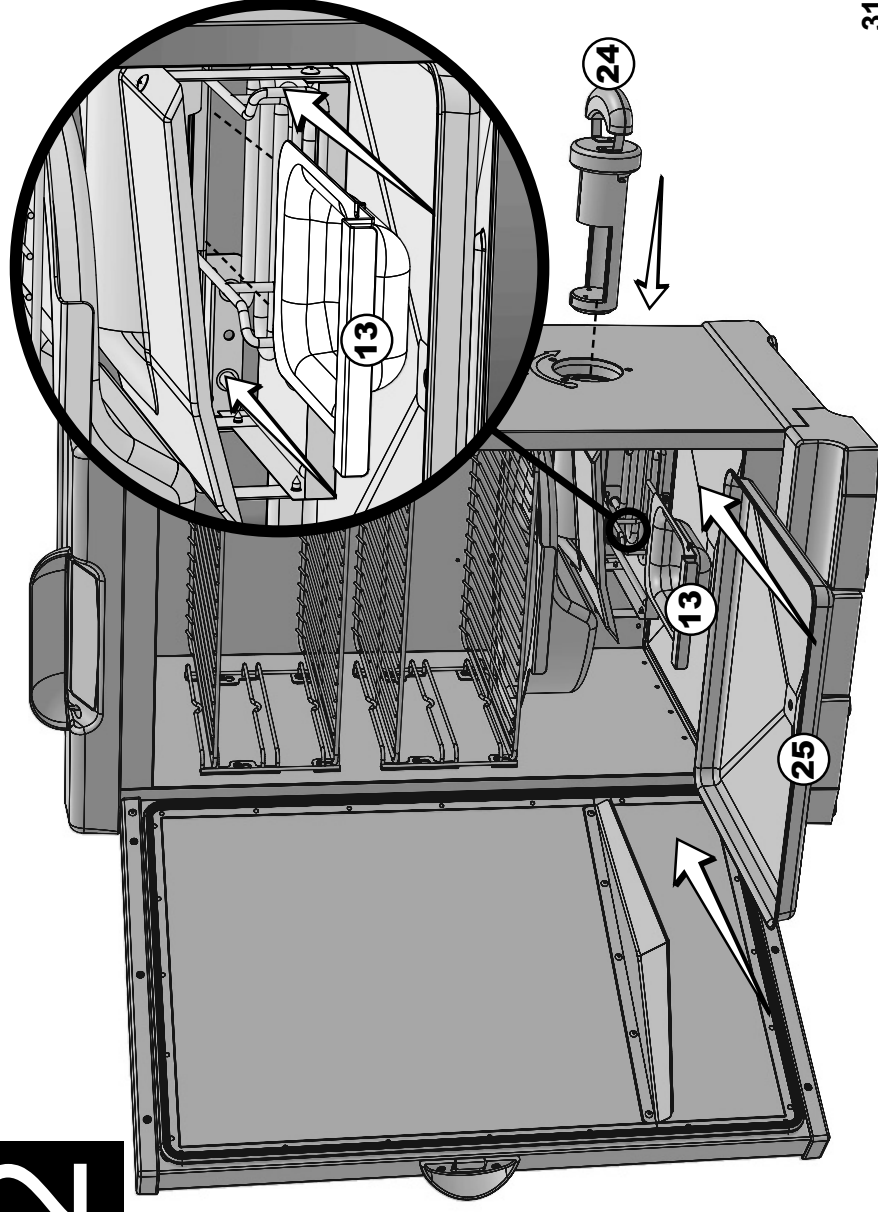
LAS ADVERTENCIAS Y SALVAGUARDAS IMPORTANTES CONTINÚAN EN LA PÁGINA 11

ASSEMBLY, ASSEMBLAGE, ENSAMBLAJE

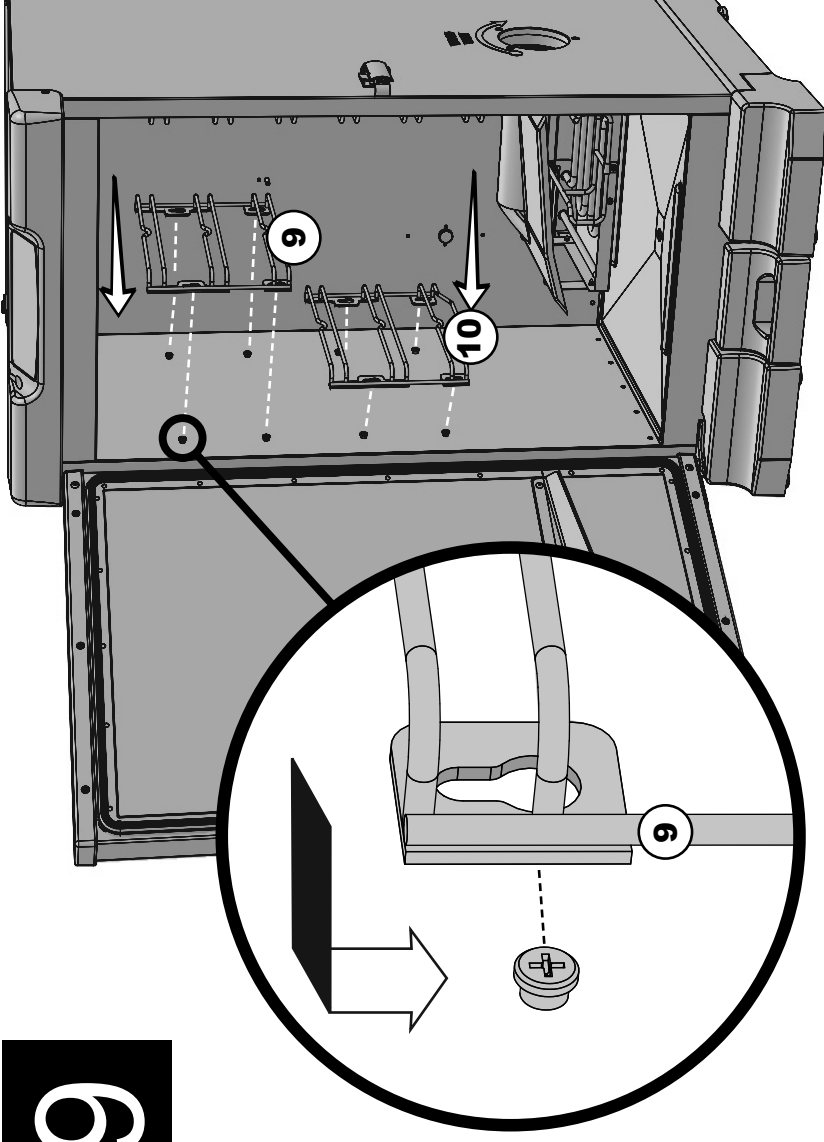
11



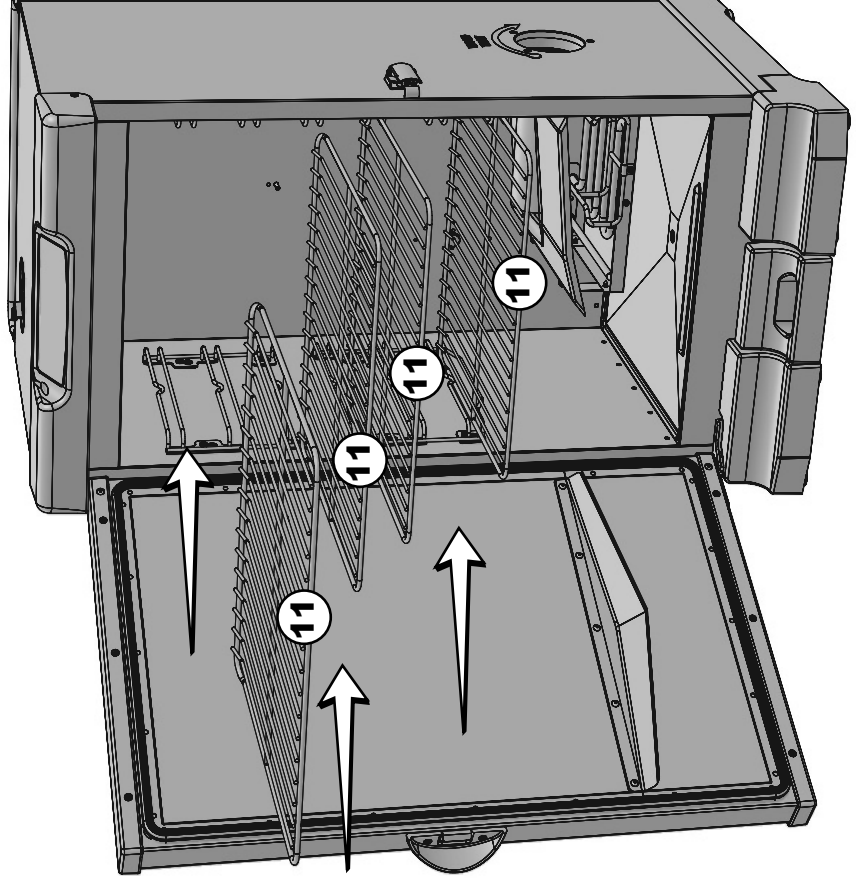
12



9



10



INFORMACIÓN DE SEGURIDAD Y ADVERTENCIAS GENERALES



ADVERTENCIAS Y SALVAGUARDAS IMPORTANTES CONTINUACION DESDE LA PAGINA 10

- No deje la unidad desatendida.
- Nunca use esta unidad para ninguna otra cosa que no sea su propósito intencionado.
- Esta unidad NO es para uso comercial.
- Conserve un extintor de incendios accesible en todo momento mientras opere la unidad.
- Antes de cada uso, verifique todas las tuercas, tornillos y pernos para asegurarse que estén firmes y asegurados.
- El uso de alcohol y de medicamentos con o sin receta pueden obstaculizar la habilidad del usuario de ensamblar u operar correctamente la unidad.
- Mantenga a los niños y mascotas lejos de la unidad en todo momento. NO permita que los niños usen la unidad. Es necesaria una supervisión cercana si hay niños o mascotas en el área donde se usa la unidad.
- NO permita que nadie realice actividades alrededor a esta unidad durante o después de su uso hasta que se haya enfriado.
- Evite golpear o chocar la unidad.
- Nunca mueva la unidad cuando esté en uso. Deje que la unidad se enfríe completamente (por debajo de los 115°F (45°C) antes de moverla o guardarla.
- La unidad está CALIENTE mientras está en uso y permanecerá CALIENTE por un cierto período de tiempo y durante el proceso de enfriamiento. Tenga PRECAUCIÓN. Use guantes/mitones de protección.
- No toque las superficies CALIENTES.
- No use perlas de madera.
- Nunca use recipientes de vidrio, plástico o cerámica en la unidad. Nunca coloque utensilios vacíos en la unidad mientras esté en uso.
- No se recomienda usar accesorios adicionales no suministrados por Masterbuilt Manufacturing, LLC puesto que podrían causar lesiones.
- La bandeja de madera está CALIENTE cuando la unidad está en uso. Use precaución cuando agregue madera.
- Tenga cuidado cuando retire los alimentos de la unidad. Todas las superficies están CALIENTES y pueden causar quemaduras.
- Use guantes protectores o herramientas de cocina largas y robustas.
- Siempre use la unidad en conformidad con todos los códigos contra incendios locales, estatales y federales aplicables.
- Deseche las cenizas frías colocándolas en papel aluminio, remojándolas en agua y desechándolas en un contenedor no combustible.
- No almacene la unidad con cenizas CALIENTES dentro de la unidad. Almacene únicamente cuando todas las superficies estén frías.
- Cuando use artefactos eléctricos, siempre se deben seguir las precauciones básicas de seguridad, incluyendo las siguientes:
 - No enchufe el ahumador eléctrico hasta que esté completamente ensamblado y listo para usarse.
 - Use únicamente un tomacorrientes eléctrico puesto a tierra aprobado.
 - No use el artefacto durante una tormenta eléctrica.
 - No exponga el ahumador eléctrico a la lluvia o al agua en ningún momento.
 - Para protegerse contra una descarga eléctrica, no sumerja el cable, enchufe o panel de control en agua u otro líquido.
 - No opere ningún artefacto con un cable o enchufe dañado, o si el artefacto se malogra o se ha dañado de alguna manera. Contacte al Servicio de atención al cliente de Masterbuilt si desea asistencia al 1-800-489-1581.
 - Los cables de alimentación desmontables más largos o cables de extensión pueden usarse si se tiene cuidado en su uso.

LAS ADVERTENCIAS Y SALVAGUARDAS IMPORTANTES CONTINUÁN EN LA PÁGINA 12

INFORMACIÓN DE SEGURIDAD Y ADVERTENCIAS GENERALES



ADVERTENCIAS Y SALVAGUARDAS, IMPORTANTES CONTINUACIÓN DESDE LA PÁGINA 11

- Si se usa un cable de alimentación desmontable o cable de extensión más largo: 1. La calificación eléctrica marcada del cable principal o cable de extensión debe tener por lo menos la misma calificación eléctrica que el artefacto; y 2. El cable debe acomodarse de tal forma que no cuelgue del mostrador o de la mesa, de donde pueda ser tirado por los niños o donde sea objeto de tropiezo inintencional.
- El cable de extensión debe ser uno de tipo 3 puesto a tierra. Se debe usar cables de extensión para exteriores con productos de uso para exteriores, y llevan la marca del sufijo "W", además de la leyenda "Apropiado para uso con artefactos de uso en exteriores".
- PRECAUCIÓN - Para reducir el riesgo de descarga eléctrica, conserve seco el cable de extensión y fuera del suelo.
- No permita que el cable está colgando o tocando superficies calientes.
- No lo coloque encima o cerca a una hornilla eléctrica o de gas caliente, o en un horno calentado.
- El combustible, como briquetas de carbón vegetal o perlas de calor, no deben usarse en el ahumador eléctrico.
- Para desconectar, apague el panel de control, luego retire el enchufe del tomacorrientes.
- Desenchufe el enchufe del tomacorrientes cuando no esté en uso y antes de la limpieza. Deje que la unidad se enfríe completamente antes de agregar/retirar las rejillas, bandeja de goteo o tazón de agua.
- La bandeja de goteo es solamente para la parte inferior del ahumador eléctrico. No coloque la bandeja de goteo en la rejilla. Esto podría dañar el ahumador eléctrico.
- No cubra las rejillas con papel aluminio. Esto atraparé el calor y podría causar daños al ahumador eléctrico.
- No limpie este producto con un rociador de agua o producto similar.

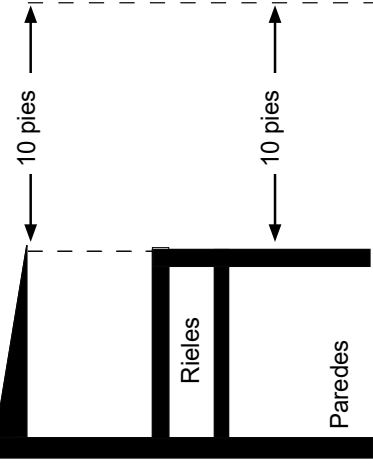
CONSERVE ESTAS INSTRUCCIONES

RECOMENDACIONES DE PROXIMIDAD ESTRUCTURAL Y USO SEGURO

RECORDATORIO:

NUNCA OPERE ESTE AHUMADOR BAJO NINGUNA CONSTRUCCIÓN AÉREA. MANTENGA UNA DISTANCIA MÍNIMA DE 10 PIES (3 M) DESDE UNA CONSTRUCCIÓN AÉREA, PAREDES O RIELES.

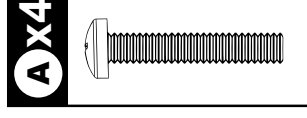
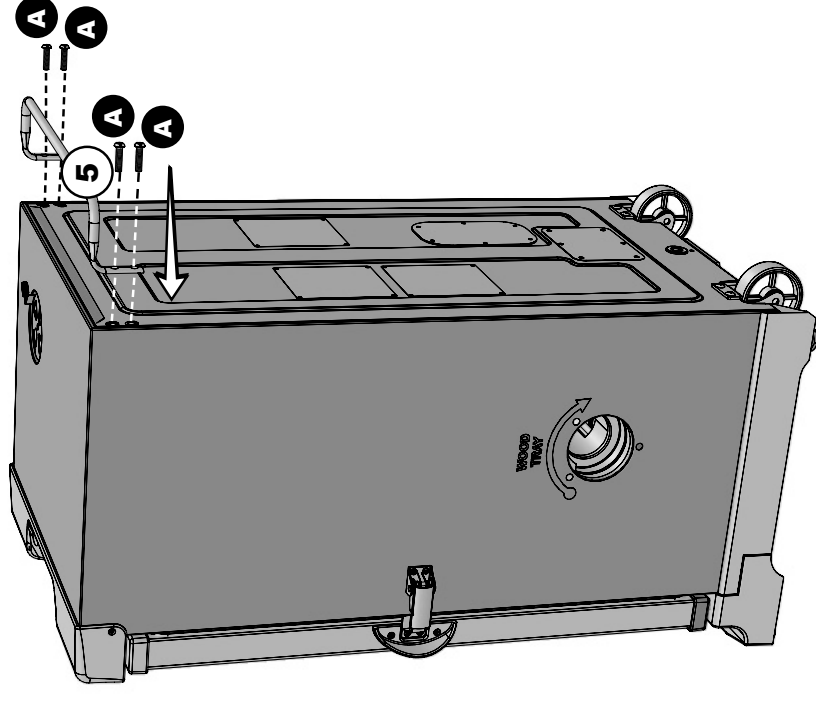
Construcción aérea



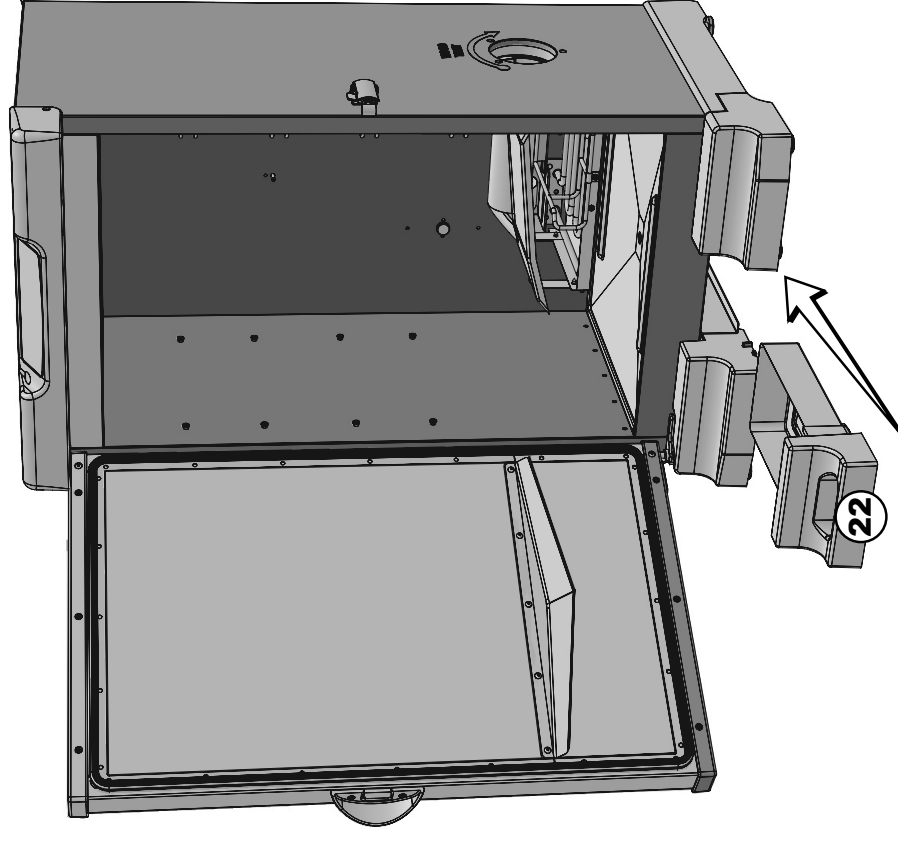
ADVERTENCIA:
EL CABLE DE
ALIMENTACIÓN
ELÉCTRICO ES UN PELIGRO
DE TROPIEZO

ASSEMBLY, ASSEMBLAGE, ENSAMBLAJE

7

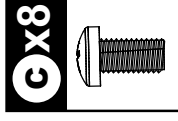
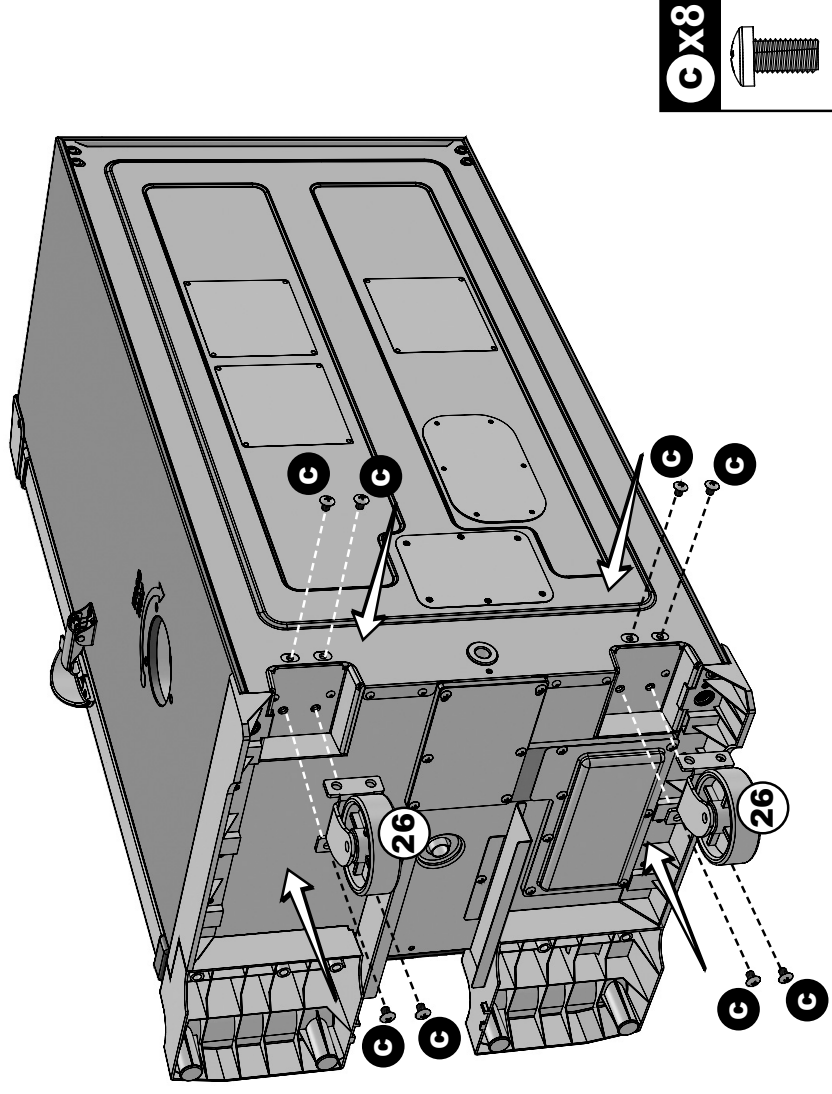


8

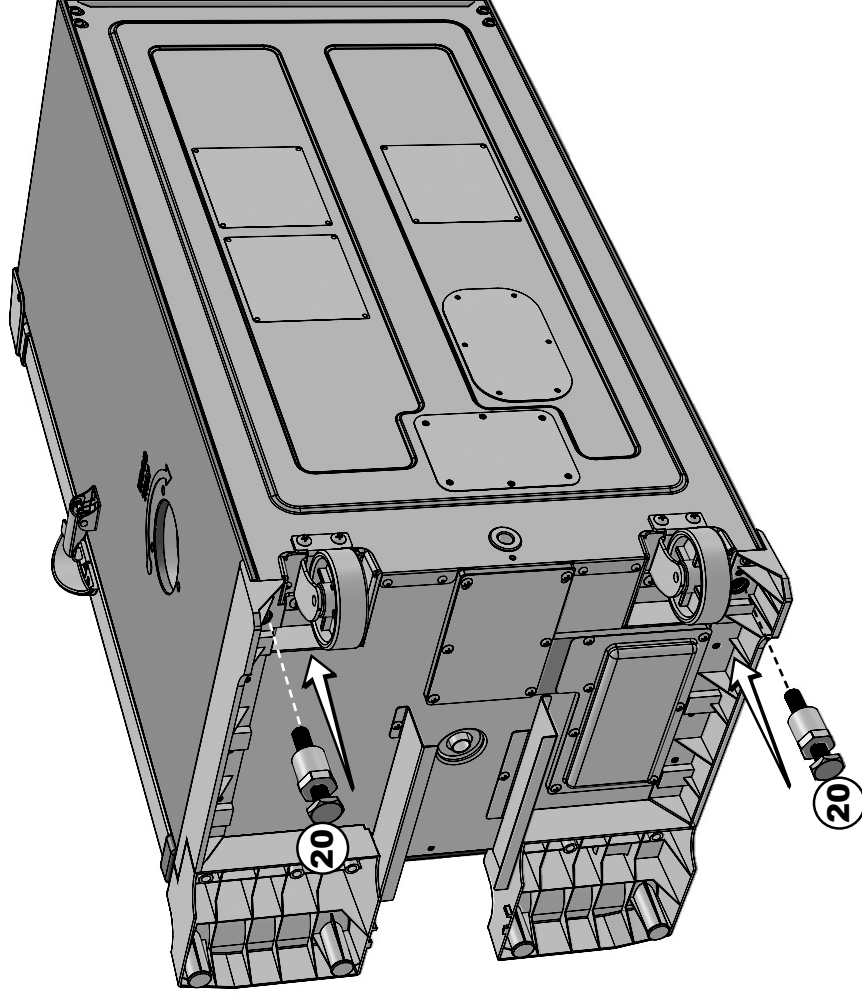


ASSEMBLY, ASSEMBLAGE, ENSAMBLAJE

5



6



CONSEJOS DE MASTERBUILT PARA EL AHUMADO

- Este es un ahumador lento... tenga tiempo suficiente para cocinar. El ahumador es **SOLO PARA USO EN EXTERIORES**.
- Cure previamente su ahumador antes del primer uso. Ver **INSTRUCCIONES DEL CURADO PREVIO**.
- Caliente previamente el ahumador por 30 a 45 minutos a temperatura máx antes de colocar los alimentos.
- Si los trozos de madera no ahúman en la configuración baja, aumente la temperatura a 275°. Luego de 8 a 10 minutos o cuando los trozos de madera comiencen a consumirse, reduzca la temperatura a la configuración baja deseada.
- Puede usar trozos de madera secos o previamente remojados en su ahumador. Los trozos secos se quemarán más rápido y producirán un humo más intenso. Los trozos previamente remojados en agua (por aproximadamente 30 minutos) se quemarán más lentamente y producirán un humo menos intenso.
- NO cubra las rejillas con papel de aluminio ya que esto no permitirá que el calor circule correctamente.
- NO sobrecargue el ahumador con alimentos. Las cantidades extra grandes de comida pueden atrapar el calor, extender el tiempo de cocción y causar una cocción desigual. Deje espacio entre los alimentos y los lados del ahumador para asegurar una correcta circulación. Si utiliza bandejas de cocción, colóquelas en el centro de la rejilla para asegurar una cocción uniforme. Nunca use recipientes de vidrio, plástico o cerámica en la unidad.
- Las temperaturas extremadamente frías pueden extender los tiempos de cocción.
- **LIMPIE DESPUÉS DE CADA USO**. Esto extenderá la vida de su ahumador y evitará el moho y los hongos. Ver las instrucciones sobre **CÓMO LIMPIAR Y GUARDAR EL AHUMADOR**.

¡DISFRUTE!

CÓMO LIMPIAR Y GUARDAR EL AHUMADOR

Asegúrese de limpiar el ahumador después de cada uso. Asegúrese que su ahumador esté desenchufado y completamente enfriado.

Para los soportes de la rejilla, tazón de agua y bandeja de goteo, use un detergente para platos suave. Enjuague y seque exhaustivamente.

Para la bandeja de trozos de madera y el cargador de trozos de madera, limpie frecuentemente para eliminar la acumulación de cenizas, residuos y polvo.

Deseche las cenizas frías colocándolas en papel aluminio, remojándolas en agua y desechándolas en un contenedor no combustible.

Para el interior, el vidrio de la puerta y el exterior del ahumador, simplemente limpie de arriba a abajo con un paño húmedo. No use agentes de limpieza caseros. Asegúrese de secar exhaustivamente.

Luego de la limpieza, almacene el ahumador en un área cubierta y seca.

Cuando no lo use con frecuencia y tenga una cubierta, recuerde revisar su ahumador periódicamente para evitar posible óxido y corrosión debido a la acumulación de humedad.

Mire un video con instrucciones paso a paso sobre cómo limpiar su ahumador en [www.youtube.com/Masterbuilt Electric Smokehouse](http://www.youtube.com/MasterbuiltElectricSmokehouse): Limpieza y almacenamiento.

SIEMPRE ASEGÚRESE QUE LA UNIDAD ESTÉ FRÍA AL TACTO ANTES DE LIMPIAR Y ALMACENAR.

PRE-SEASON INSTRUCTIONS

PRE-SEASON SMOKER PRIOR TO FIRST USE.

Some smoke may appear during this time, this is normal.

1. Make sure water pan is in place with NO WATER.
2. Set temperature to 275°F (135°C) and run unit for 3 hours.
3. To complete pre-seasoning, during last 45 minutes, add ½ cup of wood chips in wood chip loader and unload wood chips into the wood chip tray. This amount is equal to the contents of a filled wood chip loader.
4. Shut down and allow to cool.

NOTE: Never add more than ½ cup (1 filled chip loader) at a time. Additional chips should not be added until any previously added chips have ceased generating smoke.

HOW TO USE WOOD CHIP LOADER

How to use wood chip loader:

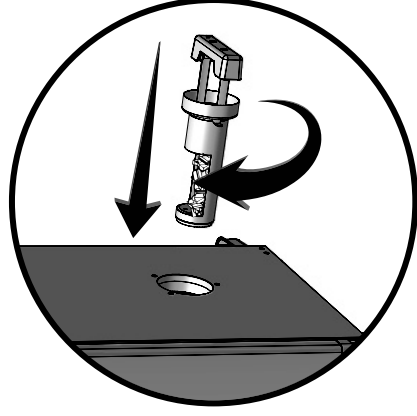
- Before starting unit, place ½ cup of wood chips in chip loader.
- Never use more than ½ cup of wood chips at a time. Never use wood chunks or wood pellets.
- Insert wood chip loader into smoker. Wood chips should be level with top rim of wood chip loader.
- Turn handle clockwise in direction of arrow mark on smoker to unload wood. Wood will drop into wood chip tray. Turn handle counterclockwise, to upright position, and leave wood chip loader in place.
- Check wood chip tray periodically to see if wood has burned down. Add more chips as needed.

Adding more wood during smoking process:

- Pull wood chip loader from smoker.
- Place wood chips in wood chip loader and insert into smoker.
- Turn handle clockwise in direction of arrow mark on smoker to unload wood. Wood will drop into wood chip tray.
- Temperature may spike briefly after wood is added. It will stabilize after a short time. Do not adjust temperature setting.

Caution:

- Keep smoker door closed when adding wood chips.
- Wood chip loader will be HOT even if handle is not.
- Never use wood pellets or wood chunks.



CAUTION

When door is opened a flare up may occur. Should wood chips flare up, immediately close door and vent, wait for wood chips to burn down, then open door again. Do not spray with water.

HOW TO USE WATER BOWL

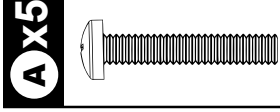
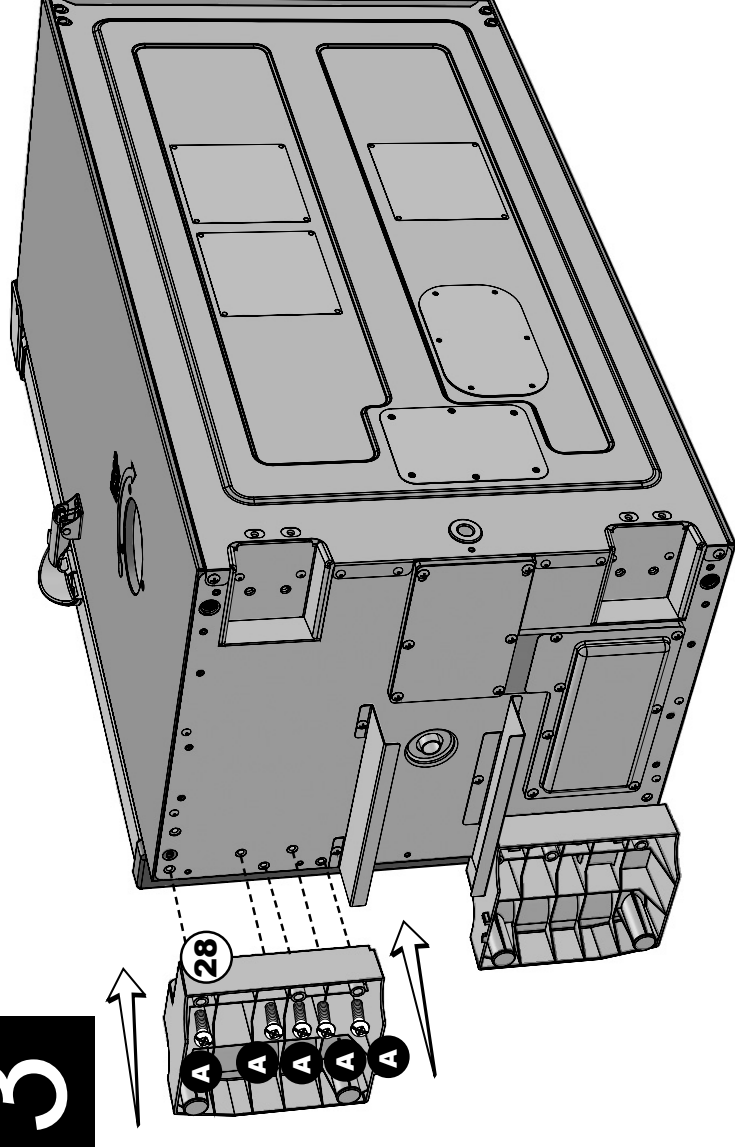
How to use water bowl:

- Wait until smoker comes up to desired temperature.
- Fill water bowl to fill line with water or liquids like apple or pineapple juice instead of water.
- You can also add slices of fruit, onions or fresh dried herbs into the water to blend different subtle flavors into your smoked food.

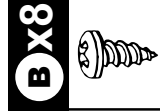
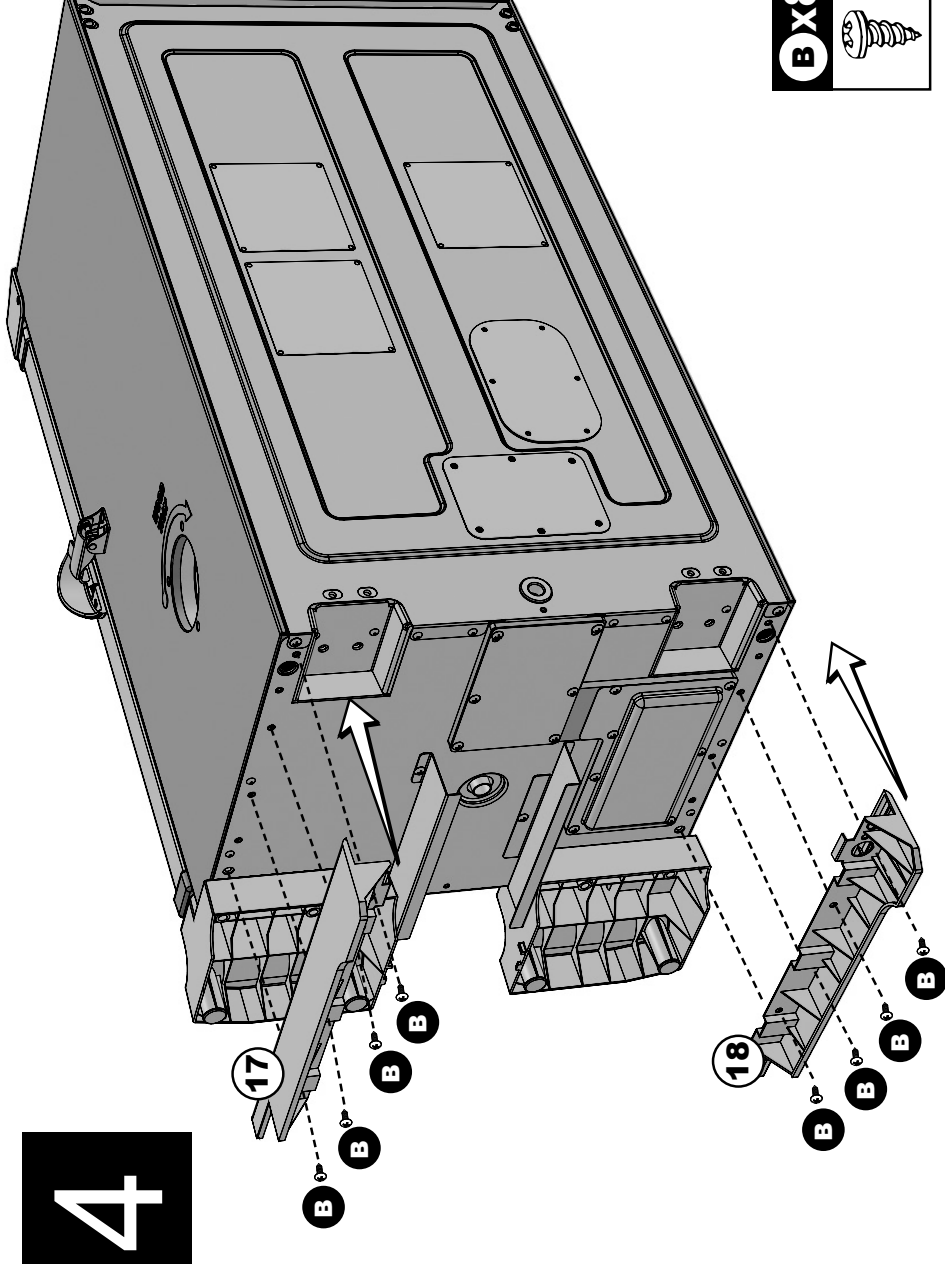
Tip: For chicken or other foods high in moisture, little or no liquid is needed.

ASSEMBLY, ASSEMBLAGE, ENSAMBLAJE

3



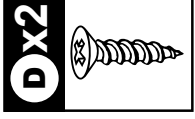
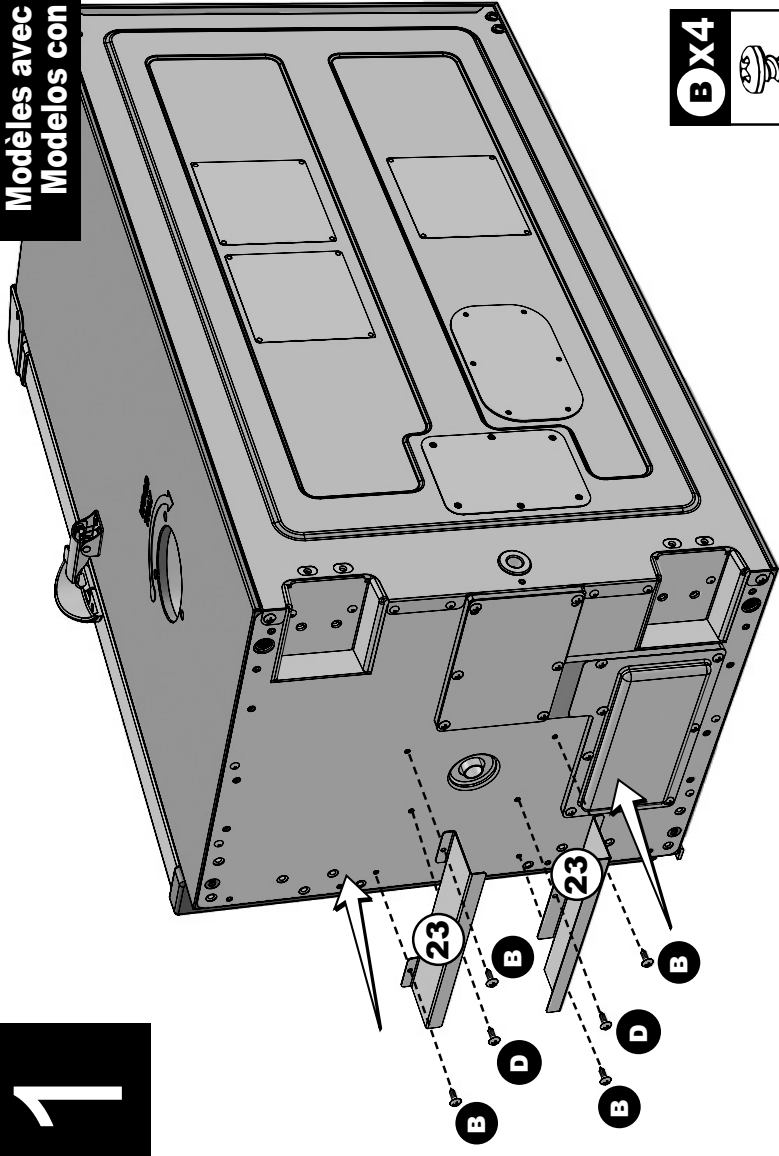
4



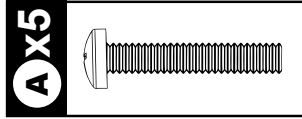
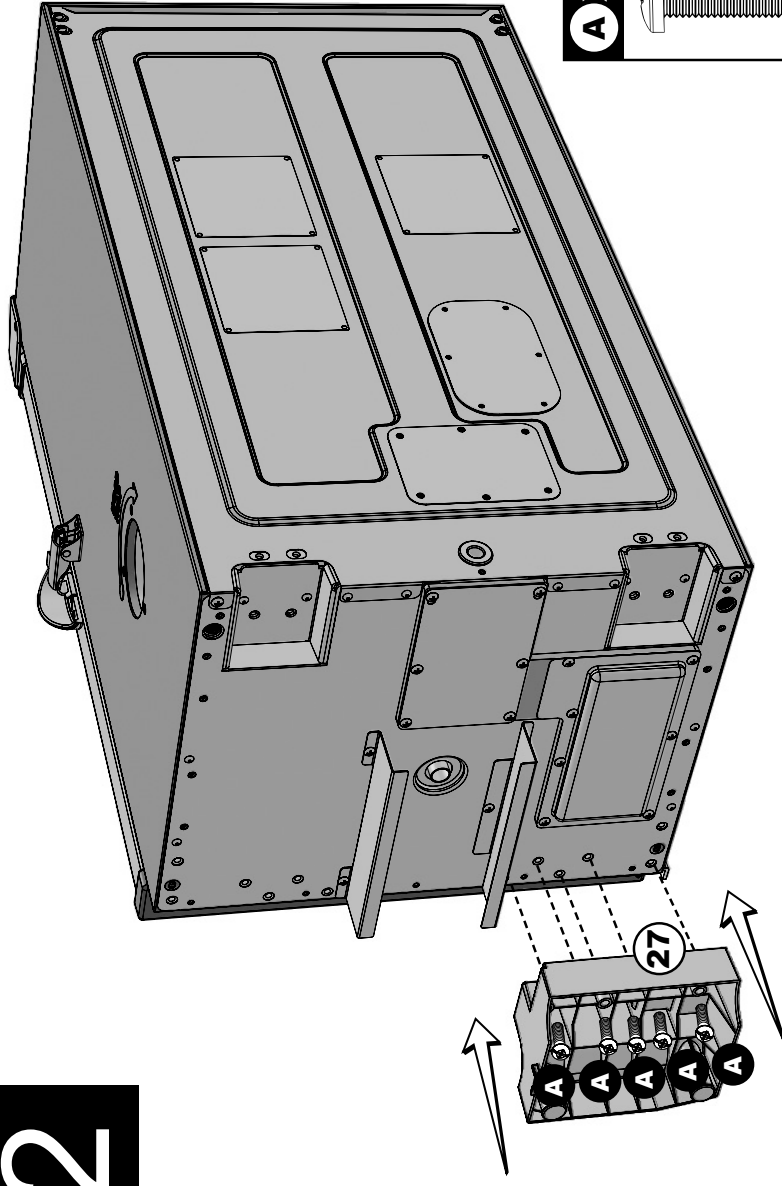
ASSEMBLY, ASSEMBLAGE, ENSAMBLAJE

1

Models with feet
Modèles avec pieds
Modelos con pies

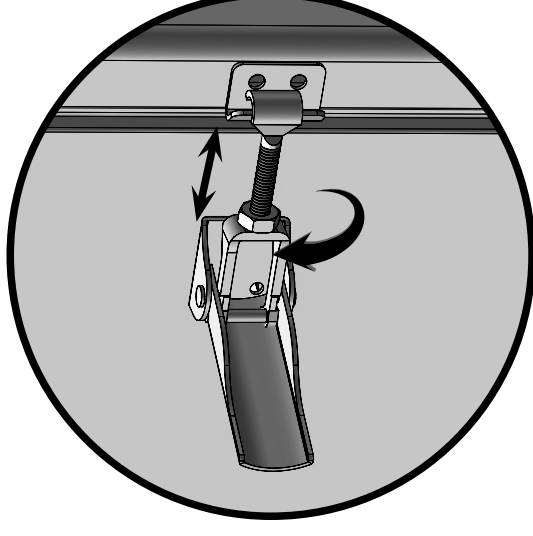


2



IMPORTANT FACTS ABOUT USING SMOKER

- Maximum temperature setting is 275°F (135°C).
- Do NOT move unit across uneven surfaces.
- Wood chip loader and wood chip tray **MUST** be in place when using smoker. This minimizes the chance of wood flare ups.
- Wood chips must be used in order to produce smoke and create the smoke flavor.
- You may use dry or pre-soaked wood chips in your smoker. Dry chips will burn faster and produce more intense smoke. Chips pre-soaked in water (for approximately 30 minutes) will burn slower and produce a less intense smoke.
- Check grease tray often during cooking. Empty grease tray before it gets full. Grease tray may need to be emptied periodically during cooking.
- Do not open smoker door unless necessary. Opening smoker door causes heat to escape and may cause wood to flare up. Closing the door will re-stabilize the temperature and stop flare up.
- Do not leave old wood ashes in the wood chip tray. Once ashes are cold, empty tray. Tray should be cleaned out prior to, and after each use to prevent ash buildup.
- This is a smoker. There will be a lot of smoke produced when using wood chips. Smoke will escape through seams and turn the inside of smoker black. This is normal. To minimize smoke loss around door, door latch can be adjusted to further tighten door seal against body.
- Opening smoker door during cooking process may extend cooking time due to heat loss.
- When outside temperature is cooler than 65°F (18°C) and/or altitude is above 3,500 feet (1067m), additional cooking time may be required. To insure that meat is completely cooked use a meat thermometer to test internal temperature.
- To adjust door latch, loosen hex nut on door latch. Turn hook clockwise to tighten as shown. Secure hex nut firmly against door latch. (see diagram)



INSTRUCTIONS DE CULOTTAGE

CULOTTER LE FUMOIR AVANT LA PREMIÈRE UTILISATION.

De la fumée peut apparaître pendant cette période, c'est normal.

1. Vérifier que la cuvette d'eau est en place ET SANS EAU.
2. Régler la température à 275 °F (135 °C) et faire fonctionner le fumoir pendant trois heures.
3. Pour terminer le culottage, ajouter 115 g (½ tasse) de copeaux de bois dans le chargeur de copeaux pour les 45 dernières minutes et décharger les copeaux de bois dans le bac à copeaux. Cette quantité équivaut au contenu d'un chargeur de copeaux plein.
4. Éteindre et laisser refroidir.

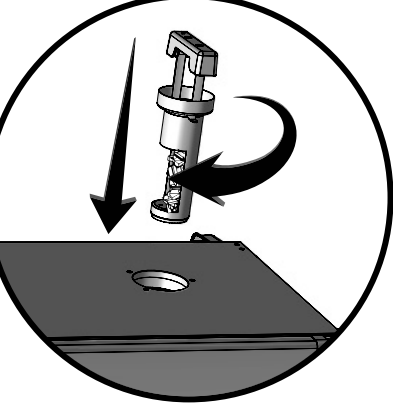
REMARQUE : Ne jamais ajouter plus de 115 g (½ tasse) à la fois = un chargeur plein). Ne pas ajouter de copeaux tant que le chargement précédent n'a pas cessé de produire de la fumée.

COMMENT UTILISER LE CHARGEUR À COPEAUX DE BOIS

- Comment utiliser le chargeur à copeaux de bois :**
- Avant d'allumer l'appareil, mettre 115 g (½ tasse) de copeaux de bois dans le chargeur à copeaux de bois.
 - Ne jamais utiliser plus de 115 g (½ tasse) de copeaux à la fois. Ne jamais utiliser des morceaux de bois ni des granulés de bois.
 - Placer le chargeur à copeaux de bois dans le fumoir. Les copeaux de bois doivent être à niveau avec le bord supérieur du chargeur à copeaux de bois.
 - Pour décharger le bois, tourner la poignée dans le sens de l'aiguille marquée sur le fumoir. Les copeaux de bois tombent dans le bac à copeaux. Tourner la poignée dans le sens inverse des aiguilles d'une montre jusqu'à la position verticale et laisser le chargeur à copeaux de bois en place.
 - Vérifier le bac à copeaux de bois de temps à autre pour voir si le bois a brûlé. Ajouter davantage de copeaux si nécessaire.

Ajouter du bois en cours de fumage :

- Sortir le chargeur à copeaux de bois du fumoir.
- Mettre des copeaux de bois dans le chargeur à copeaux de bois et le replacer dans le fumoir.
- Pour décharger les copeaux, tourner la poignée dans le sens des aiguilles d'une montre dans la direction qu'indique la flèche marquée sur le fumoir pour décharger les copeaux de bois. Les copeaux tombent dans le bac à bois.
- Il se peut que la température s'élève brièvement après l'ajout des copeaux de bois. Elle se stabilise rapidement. Ne pas l'ajuster.



Attention :

- Maintenir la porte du fumoir fermée durant l'ajout de copeaux de bois.
- Le chargeur à copeaux de bois sera CHAUD même si la poignée ne l'est pas.
- Ne jamais utiliser de granulés ou de morceaux de bois.



ATTENTION

Un retour de flamme peut avoir lieu à l'ouverture de la porte. Si les copeaux s'enflamment, refermer la porte immédiatement et l'évent; attendre que les copeaux aient brûlé avant de rouvrir la porte. Ne pas pulvériser d'eau.

COMMENT UTILISER LE BAC À EAU

Comment utiliser le bac à eau :

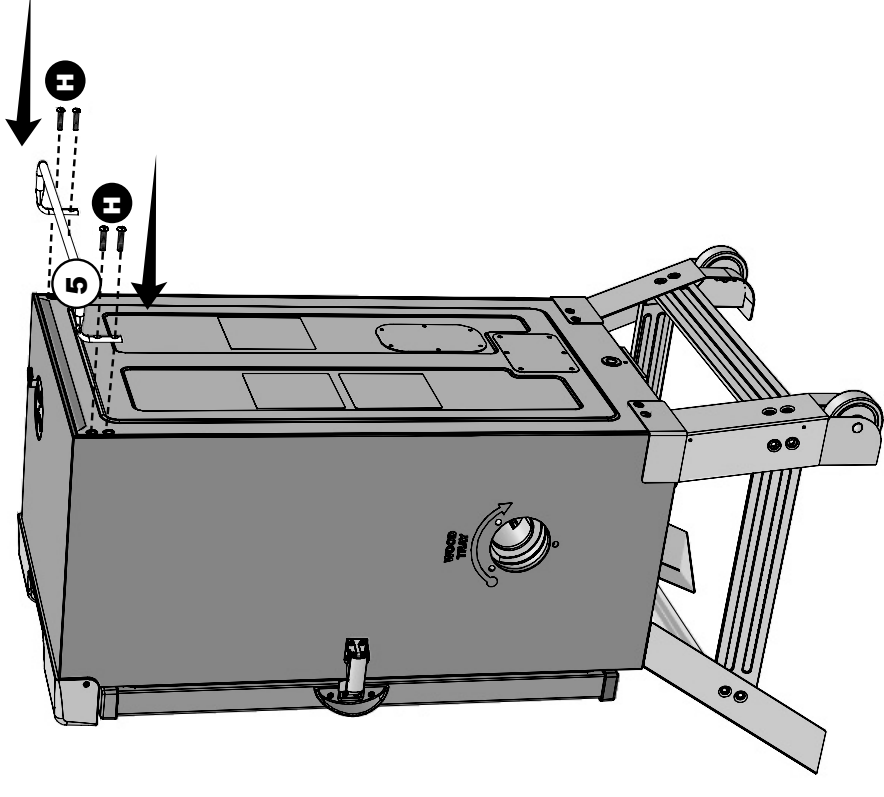
- Attendre que le fumoir atteigne la température souhaitée.
- Remplir le bac à eau jusqu'à la ligne de remplissage avec de l'eau ou des liquides tels que du jus de pommes ou d'ananas à la place de l'eau.
- On peut aussi ajouter dans l'eau des tranches de fruits, d'oignons ou d'herbes aromatiques fraîches séchées afin de parfumer subtilement les aliments fumés.

Astuce : pour le poulet et les autres aliments à haute teneur en humidité, il n'est pas nécessaire d'ajouter du liquide ou très peu.

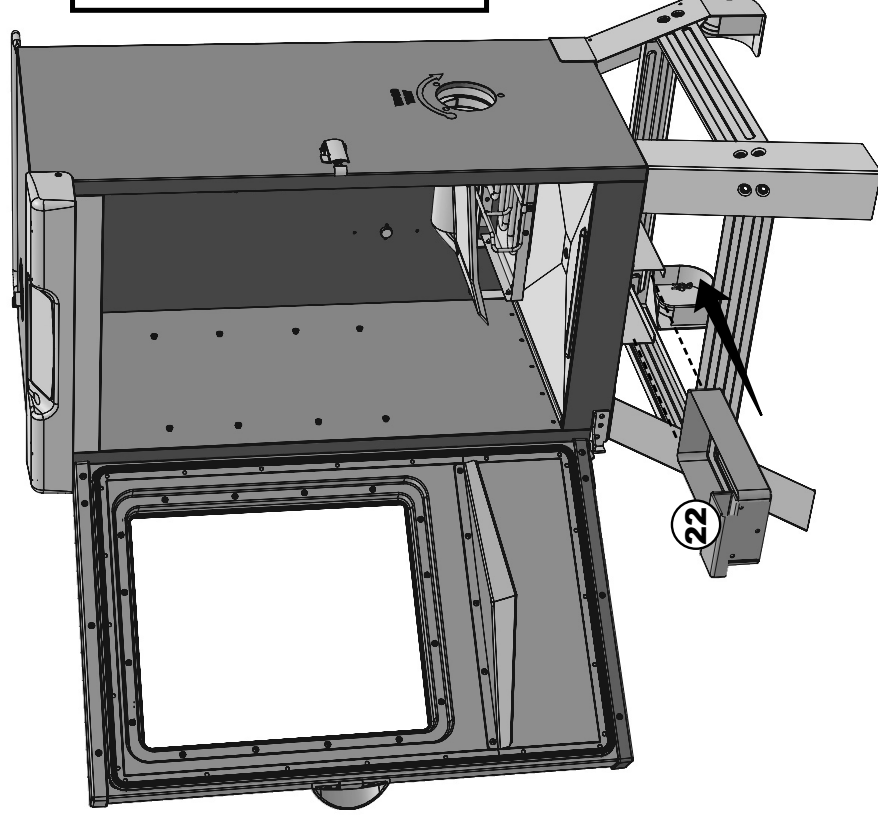
ASSEMBLY, ASSEMBLAGE, ENSAMBLAJE

7

H X4



8

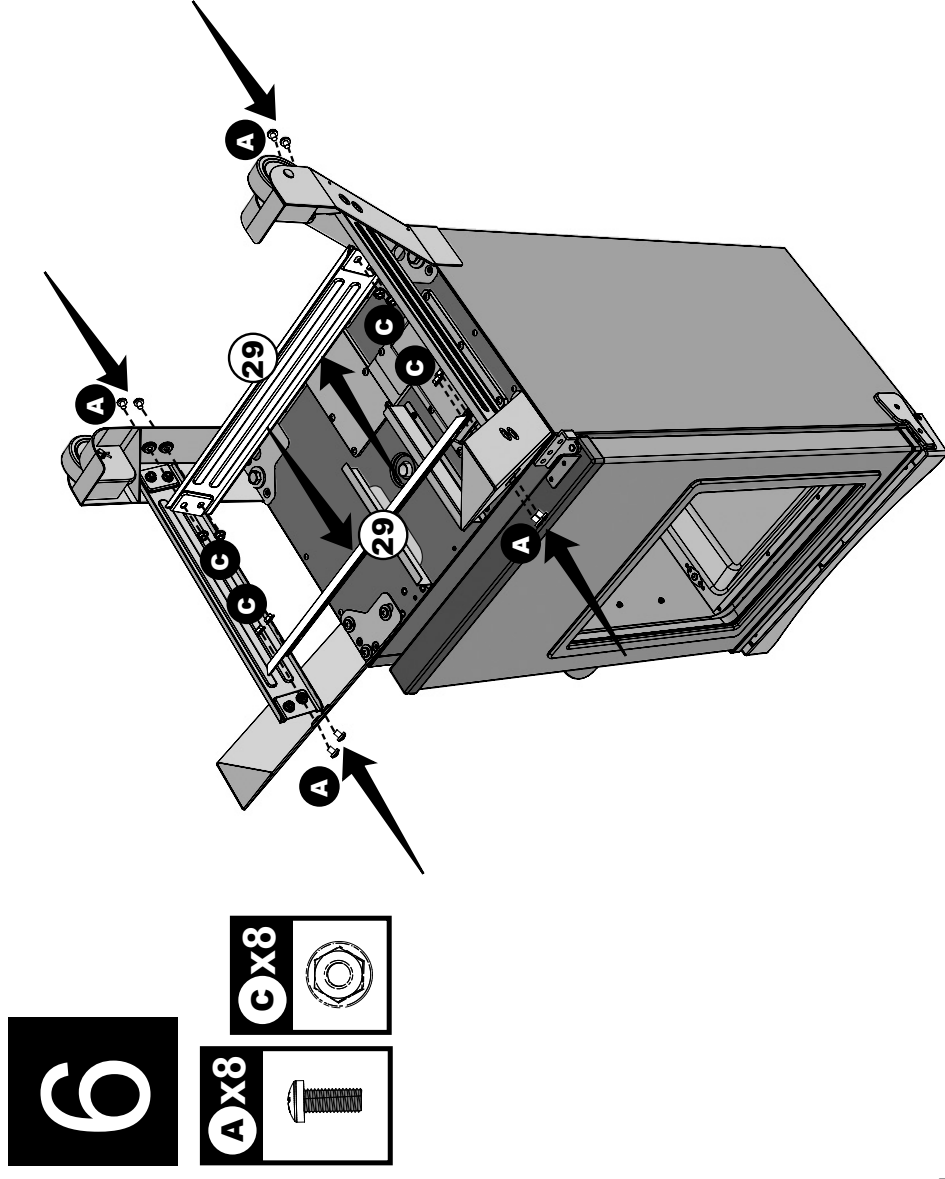
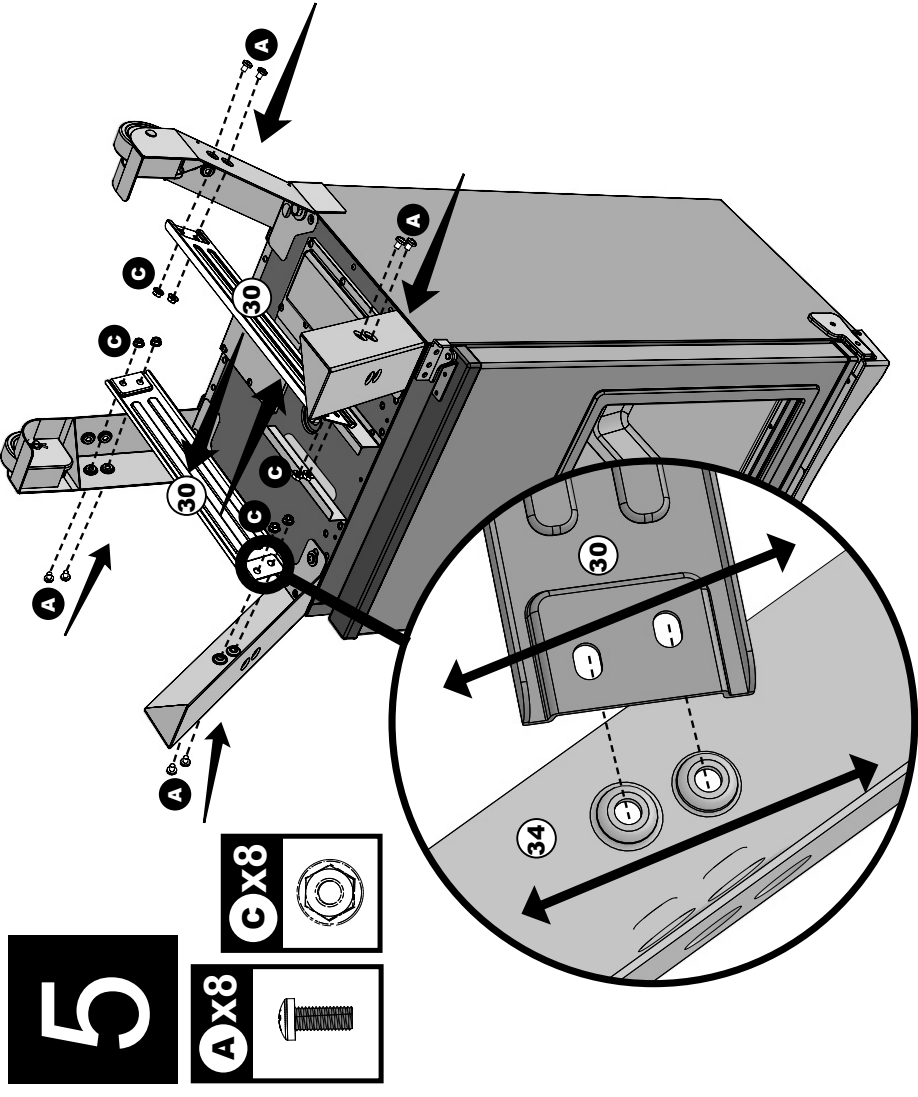


Continue with steps 9 through 12 as shown on pages 30 and 31.

Continuez avec les étapes 9 à 12, comme indiqué aux pages 30 et 31.

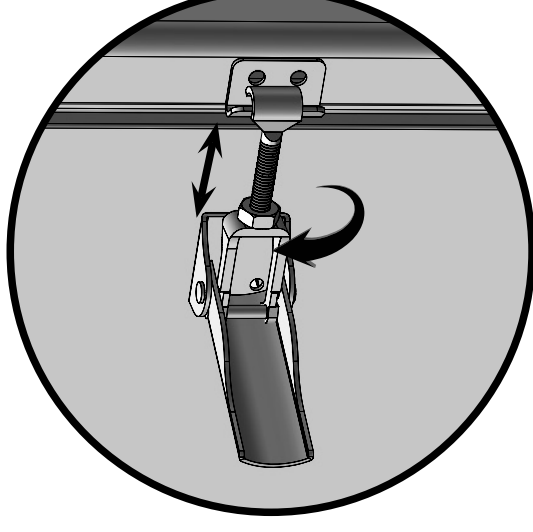
Continúe con los pasos 9 aunque 12 como se muestra en las páginas 30 y 31.

ASSEMBLY, ASSEMBLAGE



REMARQUES IMPORTANTES SUR L'UTILISATION DU FUMOIR

- Le réglage maximal de la température est 275 °F (135 °C).
- NE PAS déplacer l'appareil sur des surfaces inégales.
- Le chargeur de copeaux de bois et le bac à copeaux DOIVENT être en place lors de l'utilisation du fumoir afin de réduire les risques de retour de flamme.
- Afin de produire de la fumée et de créer l'arôme fumé, il est nécessaire d'utiliser des copeaux de bois.
- Il est possible d'utiliser des copeaux de bois secs ou prétrempés dans le fumoir. Les copeaux secs brûlent plus vite et produisent une fumée plus intense. Les copeaux prétrempés dans l'eau (30 minutes environ) brûlent plus lentement et produisent une fumée moins intense.
- Vérifier souvent la lèchefrite en cours de cuisson. La vider avant qu'elle soit pleine. Il peut être nécessaire de vider la lèchefrite périodiquement durant la cuisson.
- Ne pas ouvrir la porte du fumoir sauf en cas de nécessité. Ouvrir la porte du fumoir entraîne une perte de chaleur et risque d'enflammer les copeaux de bois. Refermer la porte stabilise la température et éteint le retour de flamme.
- Ne pas laisser de vieilles cendres dans le bac à copeaux de bois. Une fois les cendres refroidies, vider le bac. Le bac doit être nettoyé avant et après chaque utilisation afin d'éviter l'accumulation de cendres.
- Cet appareil est un fumoir. L'utilisation de copeaux de bois produit beaucoup de fumée. La fumée s'échappe par les interstices et noircit l'intérieur du fumoir. C'est normal. Afin de minimiser la quantité de fumée qui s'échappe autour de la porte, son étanchéité peut être améliorée en ajustant le loquet de la porte.
- Ouvrir la porte du fumoir en cours de cuisson risque d'allonger le temps de cuisson à cause de la perte de chaleur.
- Lorsque la température extérieure est inférieure à 18 °C (65 °F) et/ou si l'altitude est supérieure à 1067 m (3500 pi), le temps de cuisson peut être plus long. Utiliser un thermomètre à viande pour vérifier la température interne de la viande afin de s'assurer de sa cuisson complète.
- Pour ajuster le verrouillage de la porte, desserrer l'écrou hexagonal du loquet. Faire tourner le crochet dans le sens des aiguilles d'une montre afin de le serrer ainsi qu'illustré. Serrer fermement l'écrou hexagonal contre le loquet. (Voir illustration).



INSTRUCCIONES DEL CURADO PREVIO

CURE PREVIAMENTE SU AHUMADOR ANTES DEL PRIMER USO.

Algo de humo puede aparecer durante este momento, esto es normal.

1. Asegúrese que la bandeja de agua esté en su lugar SIN AGUA.
2. Configure la temperatura a 275°F (135°C) y encienda la unidad por 3 horas.
3. Para completar el curado previo, durante los últimos 45 minutos, añada ½ taza de trozos de madera en el cargador de trozos de madera y descárguelos en la bandeja para tal fin. Esta cantidad es equi valente a los contenidos de un cargador de trozos de madera lleno.
4. Apague y deje enfriar.

NOTA: Nunca agregue más de ½ taza (1 cargador de trozos lleno) a la vez. No se debe agregar trozos de madera adicionales hasta que cualquier trozo previamente añadido haya terminado de generar humo.

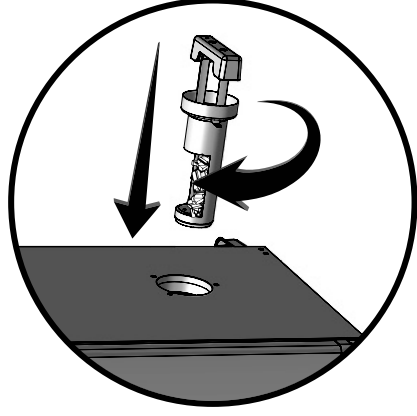
CÓMO USAR EL CARGADOR DE TROZOS DE MADERA

Cómo usar el cargador de trozos de madera:

- Antes de iniciar la unidad, coloque ½ taza de trozos de madera en el cargador.
- Nunca use más que ½ taza de trozos de madera a la vez. Nunca use leños grandes o perlas de madera.
- Inserte el cargador de trozos de madera en el ahumador. Los trozos de madera deben nivelarse con el borde superior del cargador de trozos de madera.
- Gire el asa hacia la derecha, en dirección de la marca de la flecha en el ahumador para descargar la madera. La madera caerá en el cargador de trozos de madera. Gire el asa hacia la izquierda, hasta una posición recta y deje el cargador de trozos de madera en su lugar.
- Verifique la bandeja de trozos de madera periódicamente para ver si la madera se ha consumido.
- Agregue más trozos de madera según sea necesario.

Cómo agregar más trozos de madera durante el proceso de ahumado:

- Retire el cargador de trozos de madera del ahumador.
- Coloque los trozos de madera en el cargador de trozos de madera e insértelo en el ahumador.
- Gire el asa hacia la derecha, en dirección de la marca de la flecha en el ahumador para descargar la madera. La madera caerá en la bandeja de trozos de madera.
- La temperatura podría aumentar rápidamente por un corto tiempo luego de agregar la madera. Se estabilizará luego de un breve momento.
- No ajuste la configuración de temperatura.



Precaución:

- Mantenga la puerta del ahumador cerrada cuando agregue los trozos de madera.
- El cargador de trozos de madera estará CALIENTE incluso si el asa no lo está.
- Nunca use leños grandes o perlas de madera.

⚠ PRECAUCIÓN

Cuando la puerta se abre, se puede producir un estallido. Si los trozos de madera explotan, cierre inmediatamente la puerta y el ducto de ventilación, espere que los trozos de madera se quemen por completo antes de volver a abrir la puerta. No rocíe agua.

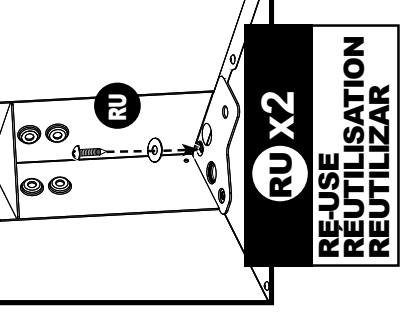
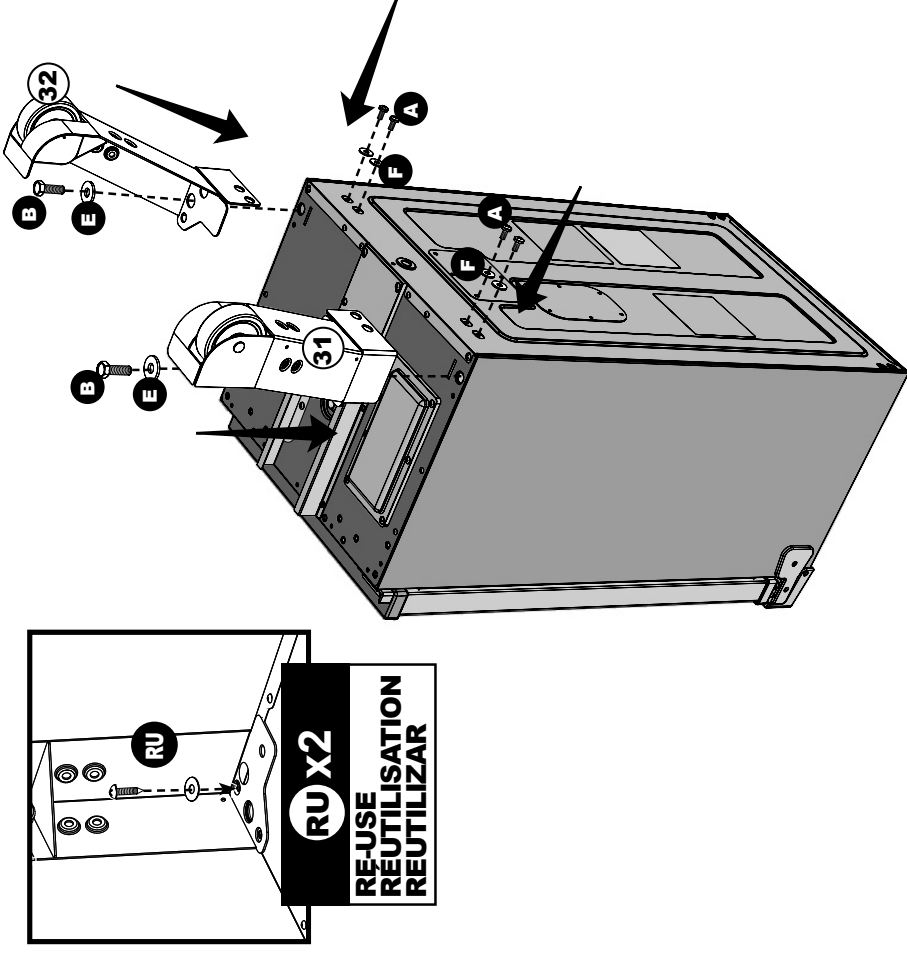
CÓMO USAR EL TAZÓN DE AGUA

Cómo usar el tazón de agua:

- Espere hasta que el ahumador llegue a la temperatura deseada.
- Llene el tazón de agua hasta la línea de llenado con agua o líquidos como jugo de manzana o de piña en vez de agua.
- También puede agregar tajadas de fruta, cebollas o hierbas secas frescas en el agua para combinar distintos sabores sutiles en sus alimentos ahumados.

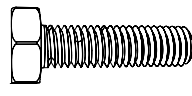
Consejos: Para pollo u otros alimentos altamente húmedos, no se requiere líquido o sino muy poco.

ASSEMBLY, ASSEMBLAGE, ENSAMBLAJE



3

B X2 E X2

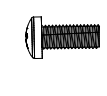


A X4 F X4

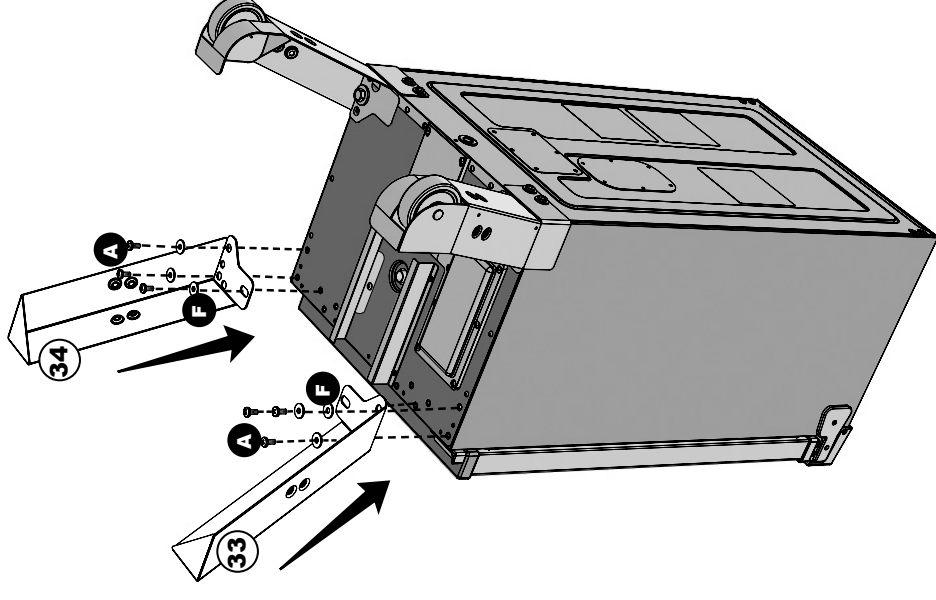


4

A X6

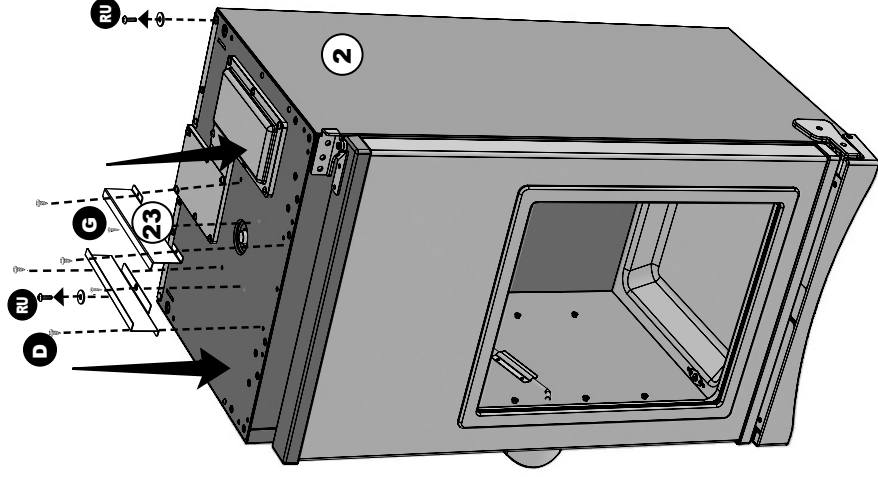


F X6



ASSEMBLY, ASSEMBLAGE, ENSAMBLAJE

1

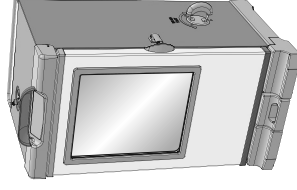


**Models with legs
Modèles avec jambe
Modelos con pierna**

If your model features feet instead of legs, as shown below, begin assembly on page 26.

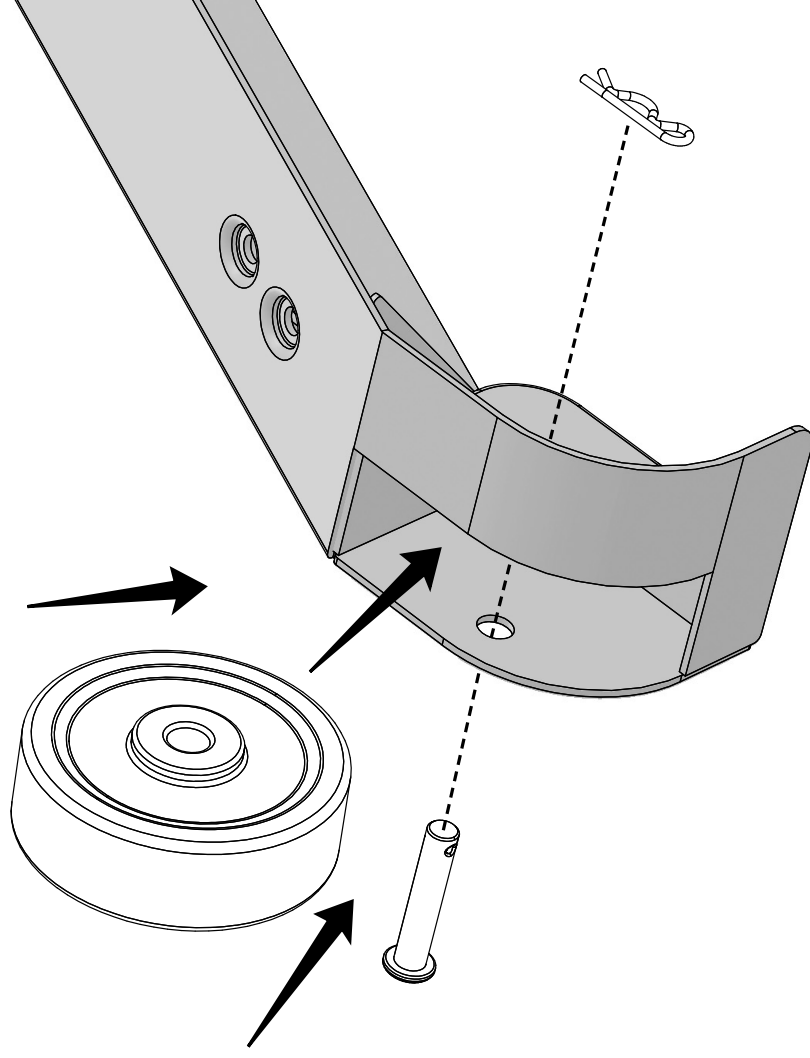
Si votre modèle comporte des pieds au lieu des jambes, comme indiqué ci-dessous, commencez l'assemblage à la page 26.

Si su modelo presenta pies en lugar de patas, como se muestra a continuación, comience el montaje en la página 26.



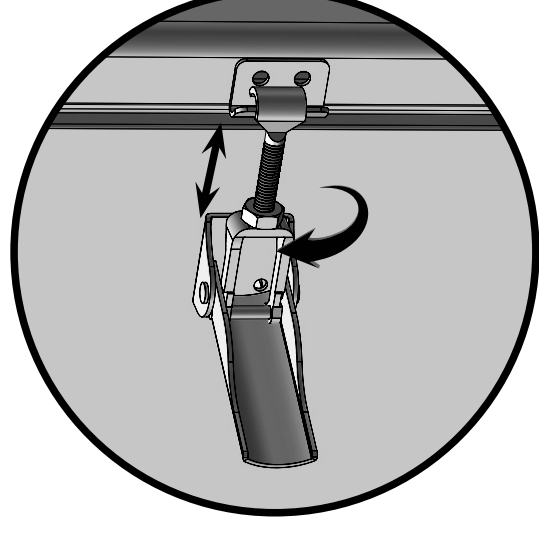
2

May come pre-assembled.
Peut venir pré-assemblé.
Puede venir pre-ensamblados.



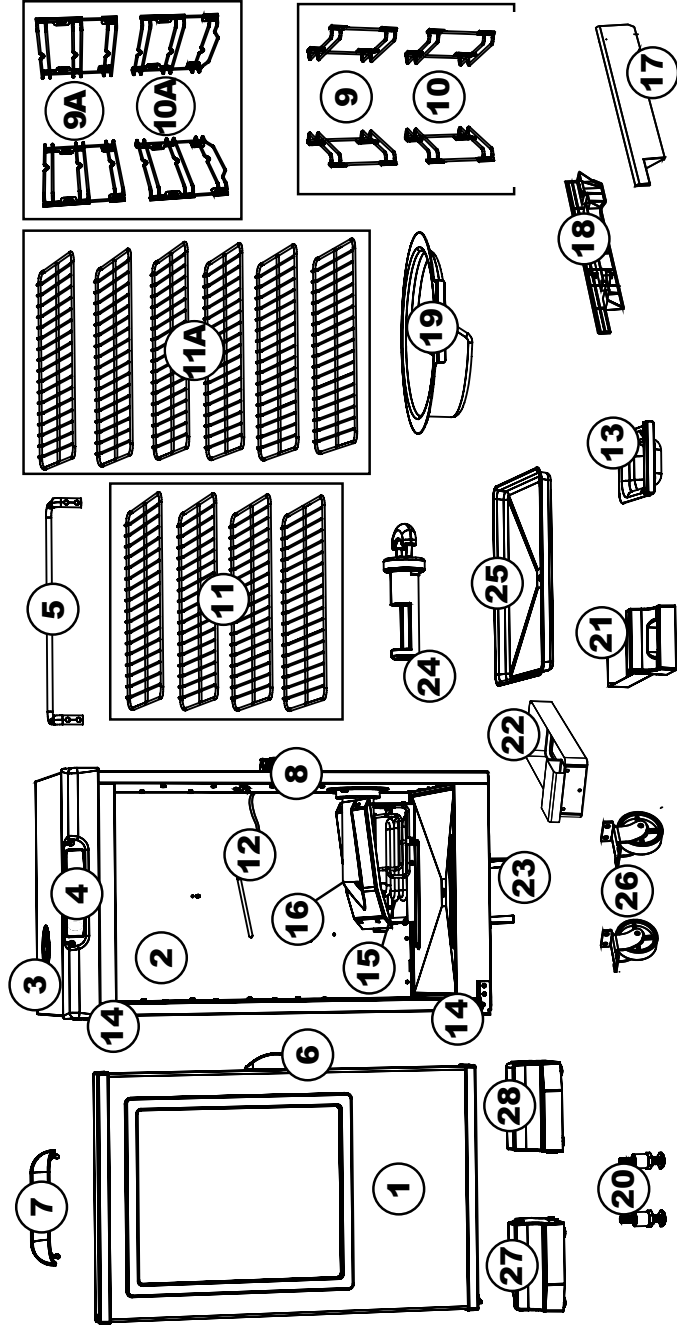
HECHOS IMPORTANTES SOBRE EL USO DEL AHUMADOR

- La configuración de temperatura máxima es de 275°F (135°C).
- NO mueva la unidad por superficies desniveladas.
- El cargador de trozos de madera DEBE estar en su lugar cuando se use el ahumador. Esto minimiza la posibilidad de estallidos de la madera.
- Se debe usar trozos de madera para producir humo y crear el sabor de ahumado.
- Puede usar trozos de madera secos o previamente remojuados en su ahumador. Los trozos secos se quemarán más rápido y producirán un humo más intenso. Los trozos previamente remojuados en agua (por aproximadamente 30 minutos) se quemarán más lentamente y producirán un humo menos intenso.
- Revise la bandeja de grasa con frecuencia durante la cocción. Vacíe la bandeja de grasa antes que se llene. La bandeja de grasa puede necesitar un vaciado frecuente durante la cocción.
- No abra la puerta del ahumador a menos que sea necesario. Abrir la puerta del ahumador hace que el calor se escape y puede hacer que la madera estalle. Cerrar la puerta volverá a estabilizar la temperatura y detendrá cualquier estallido.
- NO deje cenizas de madera antiguas en la bandeja de trozos de madera. Una vez que las cenizas estén frías, vacíe la bandeja. La bandeja debe limpiarse antes de y después de cada uso para evitar la acumulación de cenizas.
- Este es un ahumador. Se producirá una gran cantidad de humo cuando se usen los trozos de madera. El humo se escapará a través de las ranuras y hará que el interior del ahumador se ponga negro. Esto es normal. Para minimizar la pérdida de humo alrededor de la puerta, se puede ajustar el seguro para ajustar más el sello de la puerta contra el cuerpo.
- Abrir la puerta del ahumador durante el proceso de cocción puede extender la cocción debido a la pérdida de calor.
- Cuando la temperatura externa sea menor de 65°F (18°C) y/o la altitud mayor de 3,500 pies (1067m), puede ser necesario un tiempo de cocción adicional. Para asegurarse de que la carne esté completamente cocida, use un termómetro de carne para probar la temperatura interna.
- Para ajustar el seguro de la puerta, afloje la tuerca hexagonal en el seguro de la puerta. Gire el gancho hacia la derecha para ajustar como se muestra. Asegure la tuerca hexagonal firmemente contra el seguro de la puerta. (ver diagrama)



PARTS LIST, LISTE DES PIÈCES, LISTA DE PIEZAS

Actual product may differ from picture shown - Le produit réel peut différer de l'illustration - El producto real puede ser distinto de la imagen mostrada



Models with legs Modèles avec jambe Modelos con pierna

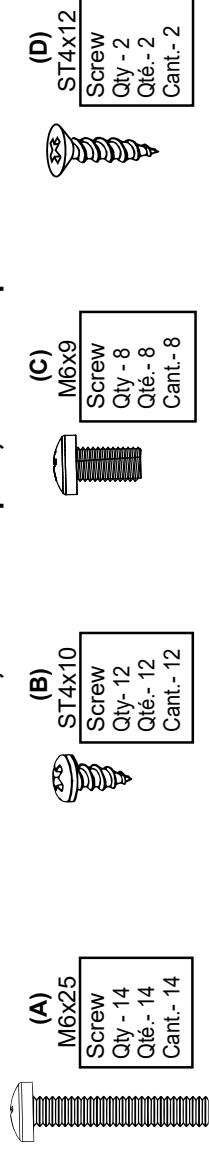
- Parts may vary by model number. Parts that are preassembled at time of purchase should be ordered separately if replacement is needed.
- Les pièces peuvent varier selon le numéro de modèle. Les pièces pré-assemblées au moment de l'achat doivent être commandées séparément si le remplacement est nécessaire.
- Las piezas pueden variar según el número de modelo. Las piezas preensambladas en el momento de la compra deben pedirse por separado si se requiere reemplazo.

PARTS LIST, LISTE DES PIÈCES, LISTA DE PARTES

NO./NO	QTY/QTÉ./CANT.	DESCRIPTION	DESCRIPCIÓN	DESCRIPCIÓN
1	1	Smoker Door	Porte du fumoir	Puerta del ahumador
2	1	Smoker Body	Bâti du fumoir	Cuerpo del ahumador
3	1	Air Damper	Clapet à air	Regulador de aire
4	1	Control Panel	Panneau de commande	Panel de control
5	1	Rear Handle	Poignée arrière	Asa posterior
6	1	Door Handle	Poignée de porte	Asa de la puerta
7	1	Sun Shield	Pare-soleil	Protector solar
8	1	Door Latch	Loquet de porte	Seguro de la puerta
9	2	Rack Supports	Supports des grilles	Soportes de estante
9A	2	Rack Supports	Supports des grilles	Soportes de estante
10	2	Water Bowl Support Rack	Supports pour grille/cuvette d'eau	Soportes de la rejilla/tazón de agua
10A	2	Water Bowl Support Rack	Supports pour grille/cuvette d'eau	Soportes de la rejilla/tazón de agua
11	4	Rack	Étagère	Estante
11A	6	Rack	Étagère	Estante
12	1	Meat Probe	Thermomètre à viande	Sonda de carne
13	1	Wood Chip Tray	Bac à copeaux de bois	Bandeja de trozos de madera
14	2	Door Hinge	Charnière de porte	Bisagra de la puerta
15	1	Element	Élément	Elemento
16	1	Wood Chip Housing	Boîtier pour copeaux de bois	Carcasa de trozos de madera
17	1	Right Side Panel	Panneau de droite	Panel lateral derecho
18	1	Left Side Panel	Panneau de gauche	Panel lateral izquierdo
19	1	Water Bowl	Cuvette d'eau	Tazón de agua
20	2	Adjustable Screw Leg	Pied réglable avec vis	Pata ajustable con tornillos
21/22	1	Grease Tray	Bac à graisse	Bandeja de grasa
23	2	Grease Tray Bracket	Support du bac à graisse	Abrazadera de la bandeja de grasa
24	1	Wood Chip Loader	Chargeur à copeaux de bois	Cargador de trozos de madera
25	1	Drip Pan	Plateau ramasse-gouttes	Bandeja de goteo
26	2	Wheel	Roulette	Ruedas
27	1	Left Front Foot	Pied Front de gauche	Delantero izquierdo Pie
28	1	Right Front Foot	Pied avant droit	Pie Derecho delantero
29	2	Front & Rear Leg Brace	Avant /Arrière Leg Brace	Frente/Posterior de la pierna Brace
30	2	Right & Left Side Leg Brace	Côté droit/gauche Leg Brace	Lado derecho/Izquierdo Pierna Brace
31	1	Left Rear Leg	Jambe Arrière Gauche	Trasero izquierdo de la pierna
32	1	Right Rear Leg	Jambe Arrière Droit	Pierna derecha trasera
33	1	Left Front Leg	Front de gauche Leg	Delantero izquierdo Pierna
34	1	Right Front Leg	Droite Jambe Avant	Derecha delantera de la pierna

HARDWARE LIST, LISTE DE MATÉRIEL, LISTA DE HARDWARE

Models with feet, Modèles avec pieds, Modelos con pies



Models with legs, Modèles avec jambe, Modelos con pierna

