

# OWNER'S MANUAL

**HARDTOP SUNSHELTER 3 m x 3.65 m (10' x 12')**

### **Warning**

1. It is consumer's responsibility to comply with any building codes, ordinances, zoning limitations, or local homeowner's restrictions and obtain any required permit, before purchase and installation of the products.
2. Two persons are required for assembly. The tools required are a screwdriver, stepladder and other safety items such as gloves, safety eyewear and hardhat. To avoid injury from exposed sharp edges, it may be necessary to use the above safety equipment.
3. This unit will take at least 5 hours to set up. You must schedule enough time to complete the assembly. Do not leave it unattended if not fully assembled, even if bolted to the ground.
  - Make sure that all components are in the box. Read instructions carefully before starting the assembly.
  - Follow all instructions to assure the strength of the shelter.
  - Help from another person is required to assemble the shelter.
  - In order to avoid damage to the shelter and its components, use appropriate tools. Do not use the structure as a support; a stepladder is recommended.
  - Check all screws on a regular basis to maintain the solidity of the structure.
  - Keep instruction and parts list for further use.
4. The screws to anchor on wood deck and concrete patio are not included.
5. **DO NOT REMOVE THE PROTECTIVE FILM ON THE POLYCARBONATE ROOF PANELS BEFORE INSTALLATION (STEP 9). MAKE SURE TO PUT THE UV PROTECTED SIDE FACING UP. IT IS A VERY IMPORTANT PROCEDURE; IF NOT FOLLOWED AS DESCRIBED, YOUR ROOF WILL NOT BE COVERED BY THE GUARANTY.**

### **Maintenance**

- In the event that your sun shelter needs replacement parts, repairs or you require assistance with regards to assembly, please contact the garden centre where purchased.
- For cleaning: Use a mild domestic soap or soft detergent and wash with warm water using a sponge or microfiber fabric. Rinse with clean water.

### **Attention**


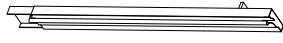
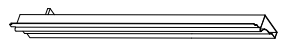
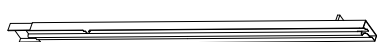






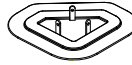
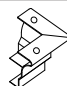



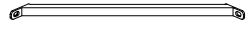


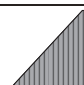
- Your shelter has been created for all four seasons and will resist snow accumulations of up to 1360 kg. (3000 lb.); you need to remove any excess of snow on the roof at all times.
- The mosquito netting and the curtains must be removed for winter storage.

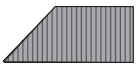

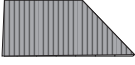

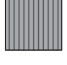





### **EXCLUDED:**

- Damages due to vandalism, abuse and wrong use of the product are not covered by the warranty.
- Damages due to extreme weather conditions such as thunderstorm, hailstorm and windstorm are not covered by warranty.

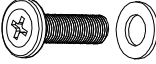
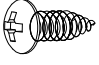



# Parts List

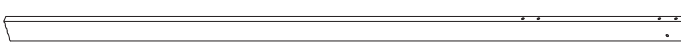
Item	Description	Qty	Illustration
A	Column	4	
B1	Short ogee	2	
B2	Short ogee	2	
B3	Long ogee	2	
B4	Long ogee	2	
C	Corner roof bar	4	
D	Middle roof bar	6	
E1	Left roof side structure	4	
E2	Right roof side structure	4	
E3	Middle roof side structure	2	
G	Bases	4	
H	Corner cover	4	
F1	Left roof support bar	4	
F2	Right roof support bar	4	
F3	Middle roof support bar	2	
J	Solidifying bar	4	
K	Solidifying bar	8	
I	Joint cover	4	
Ma	Left roof panel (upside)	4	

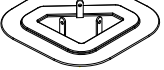
Item	Description	Qty	Illustration
M <sub>b</sub>	Left roof panel (downside)	4	
N <sub>a</sub>	Right roof panel (upside)	4	
N <sub>b</sub>	Right roof panel (downside)	4	
V <sub>a</sub>	Middle roof panel (upside)	2	
V <sub>b</sub>	Middle roof panel (downside)	2	
O	Corner finishing end	4	
P	Finishing end	6	
Q <sub>1</sub>	Inside roof connector	1	
Q <sub>2</sub>	Outside roof connector	1	
T <sub>1</sub>	Mosquito netting	4	

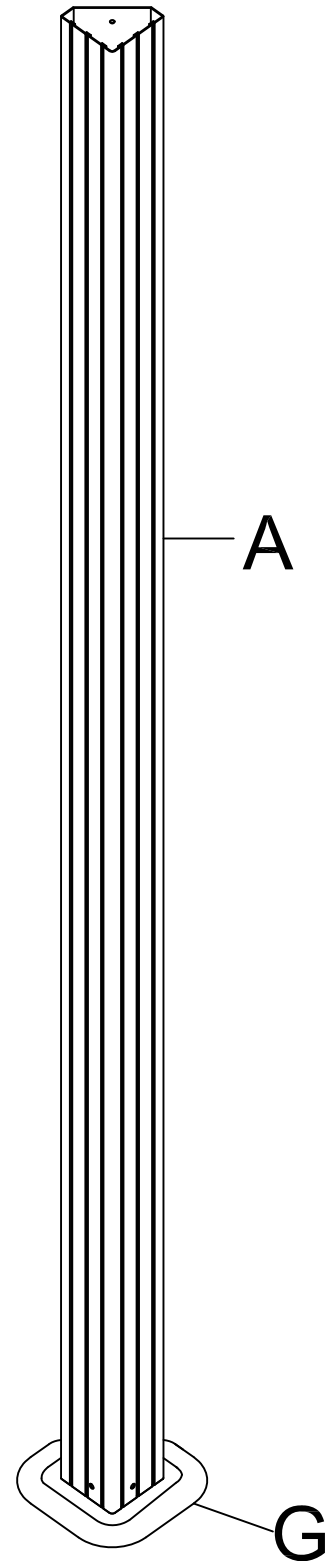
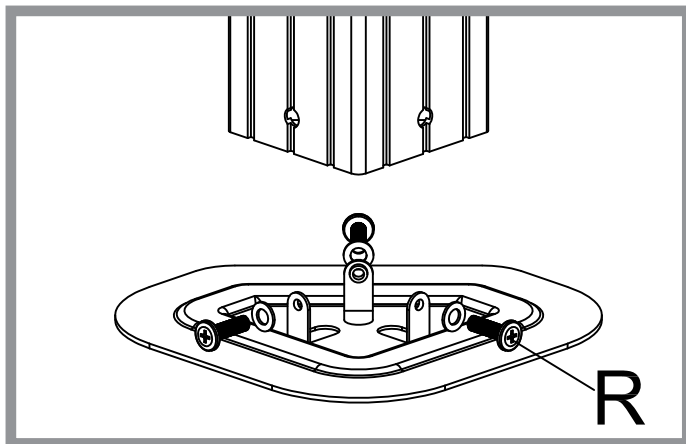
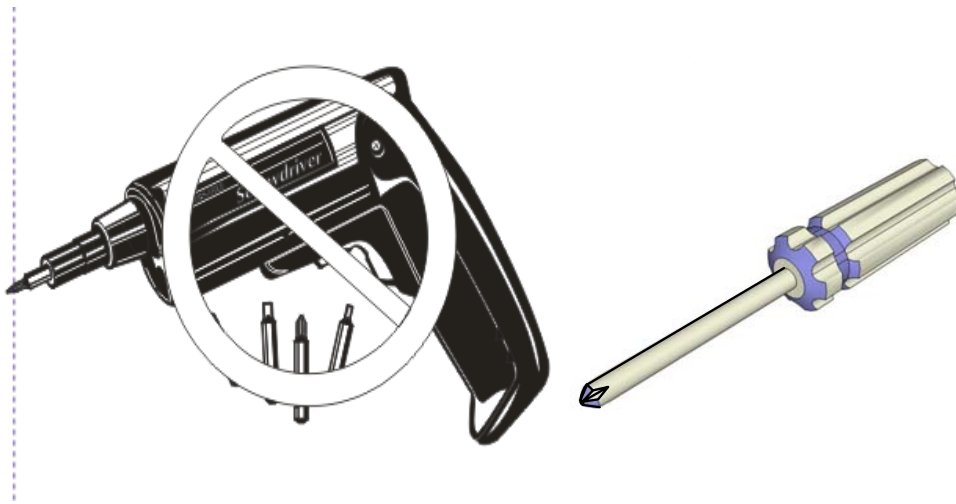
## Hardware Kit

Item	Description	Qty	Illustration
R	M6 x20 Screws	125	 M6 x 20
S	M5 x16 Screws	16	 M5 x 16
L	Hook	52	

# Step-1

A  x4

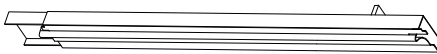
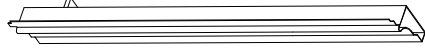



G  x4

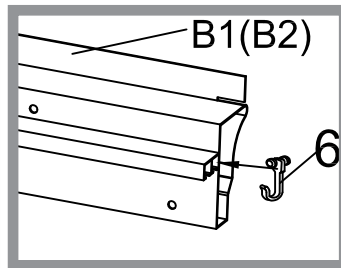
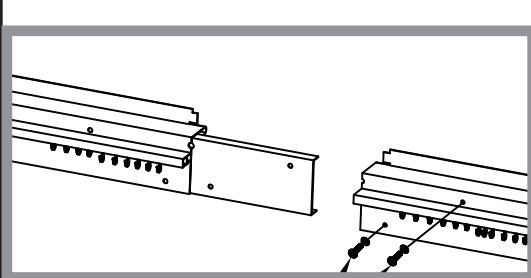


- Install columns (A) on bases (G) using screws (R).

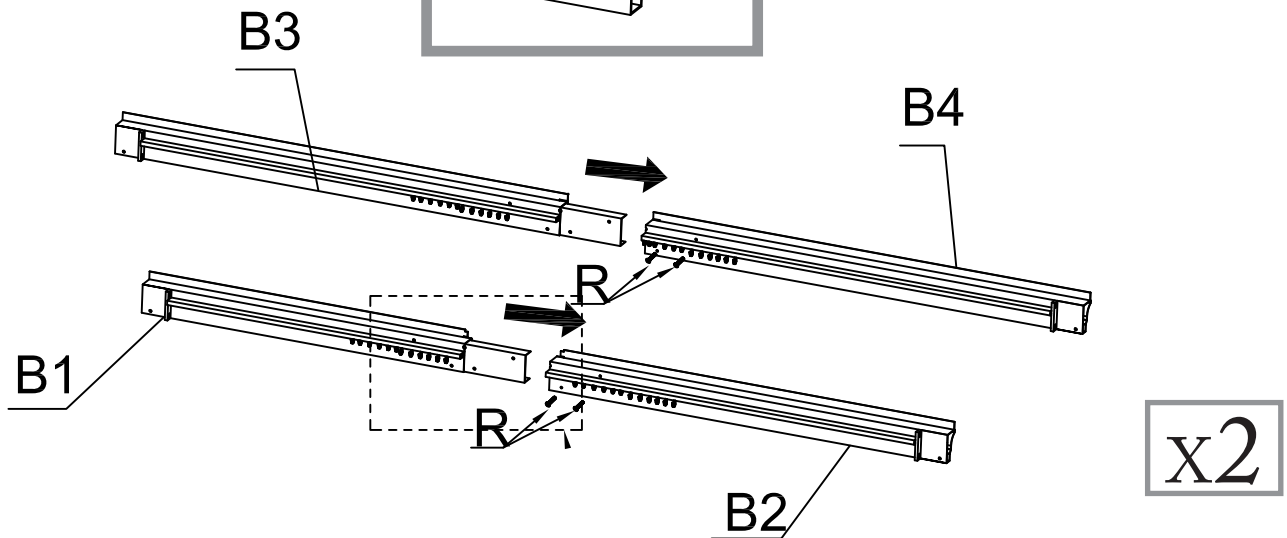
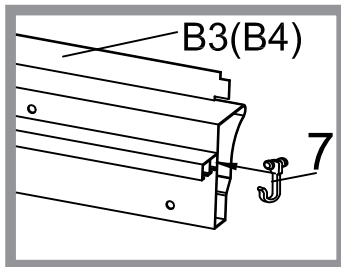
x4

# Step-2

B1  x2      B2  x2  
B3  x2  
B4  x2      L  x52



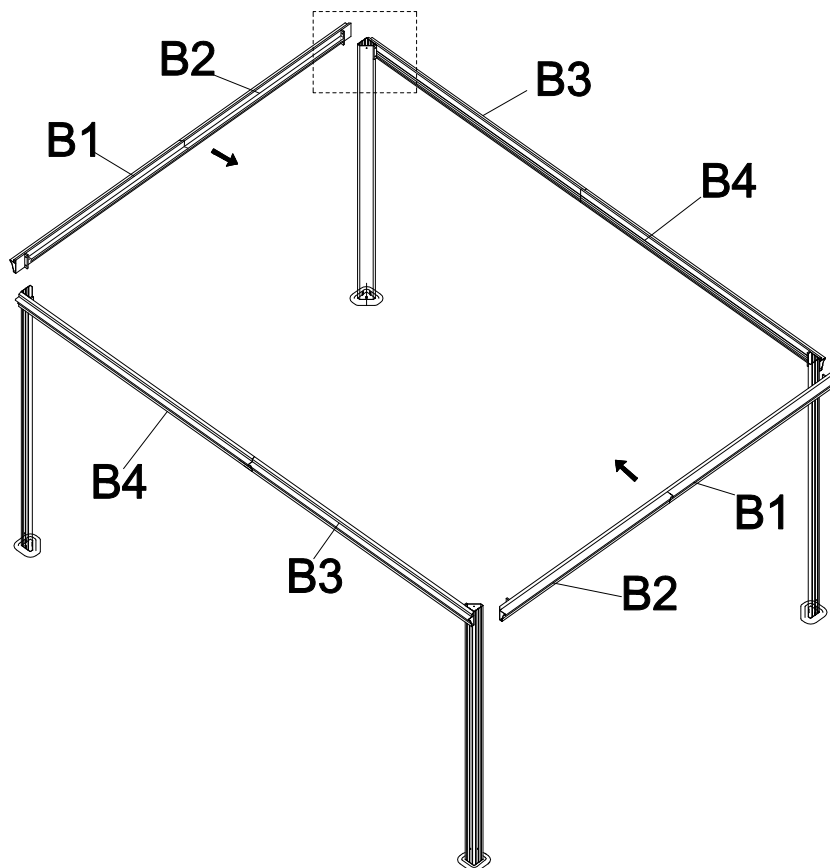
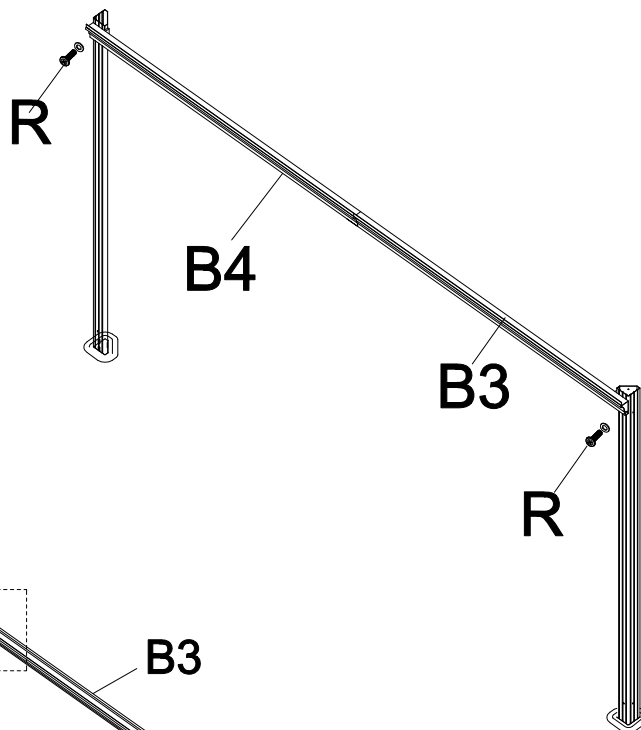
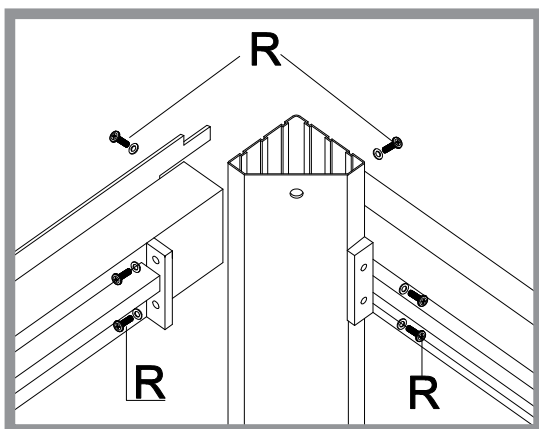
**Make sure the tip of the hooks point toward the inside of the sun shelter.**



- Insert 6 hooks (L) in each track of the short ogees (B1) and (B2).
- Insert 7 hooks (L) in each track of the long ogees (B3) and (B4).
- Attach the ogee (B1) to the ogee (B2) using screw (R). Repeat with the ogee (B3& B4)

# Step-3

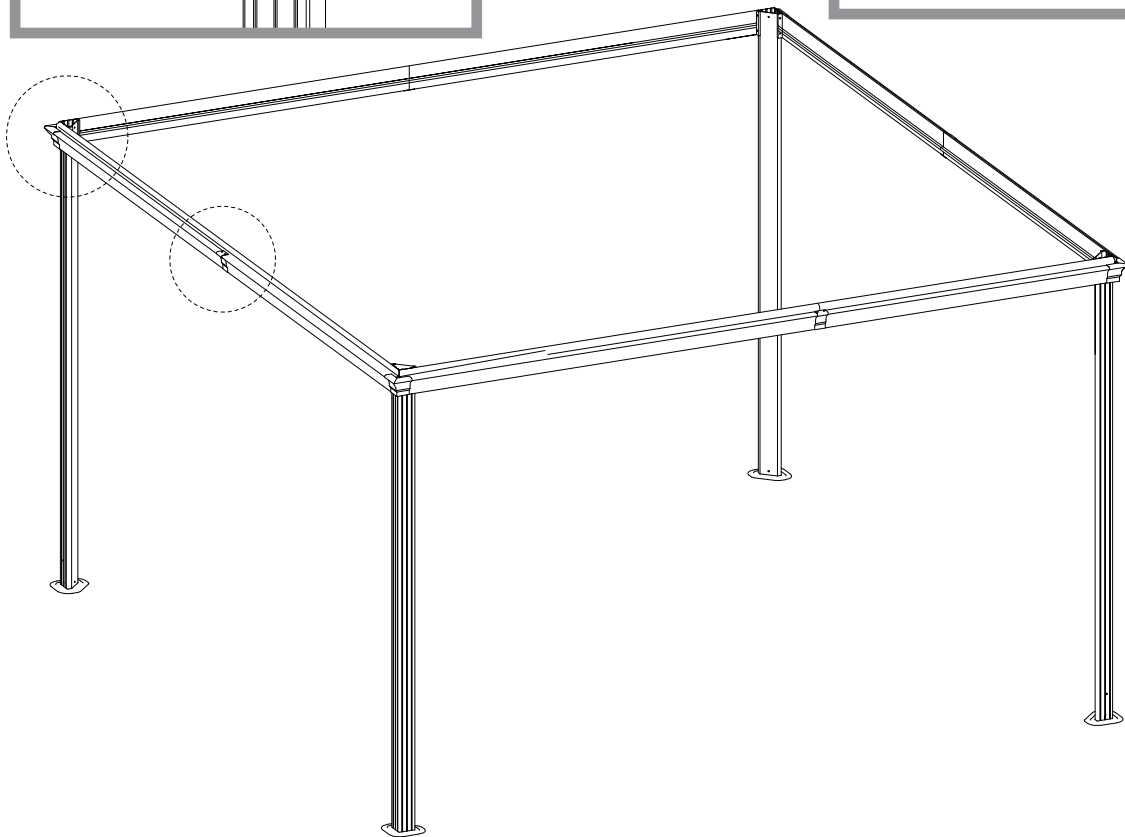
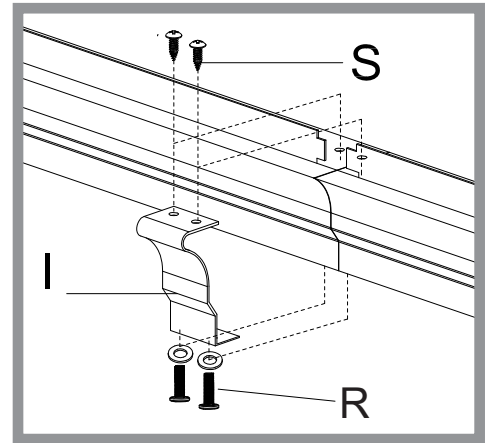
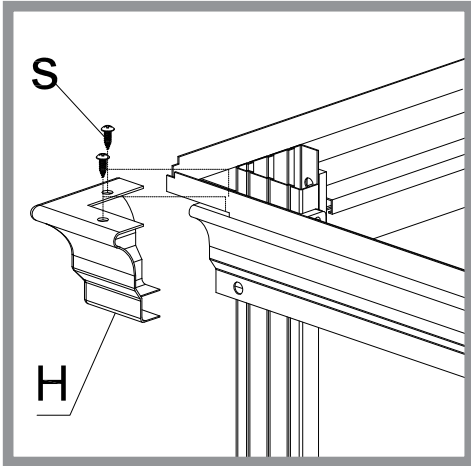
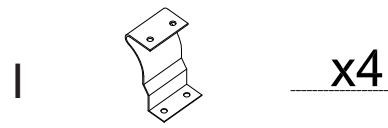
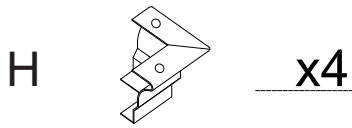
You need 3 persons for this step.



- Install the ogee (B3 & B4) between two columns (A) using screws (R) from the outside of the columns and from the inside of the ogees. Repeat with the ogees (B1 & B2).



# Step-4

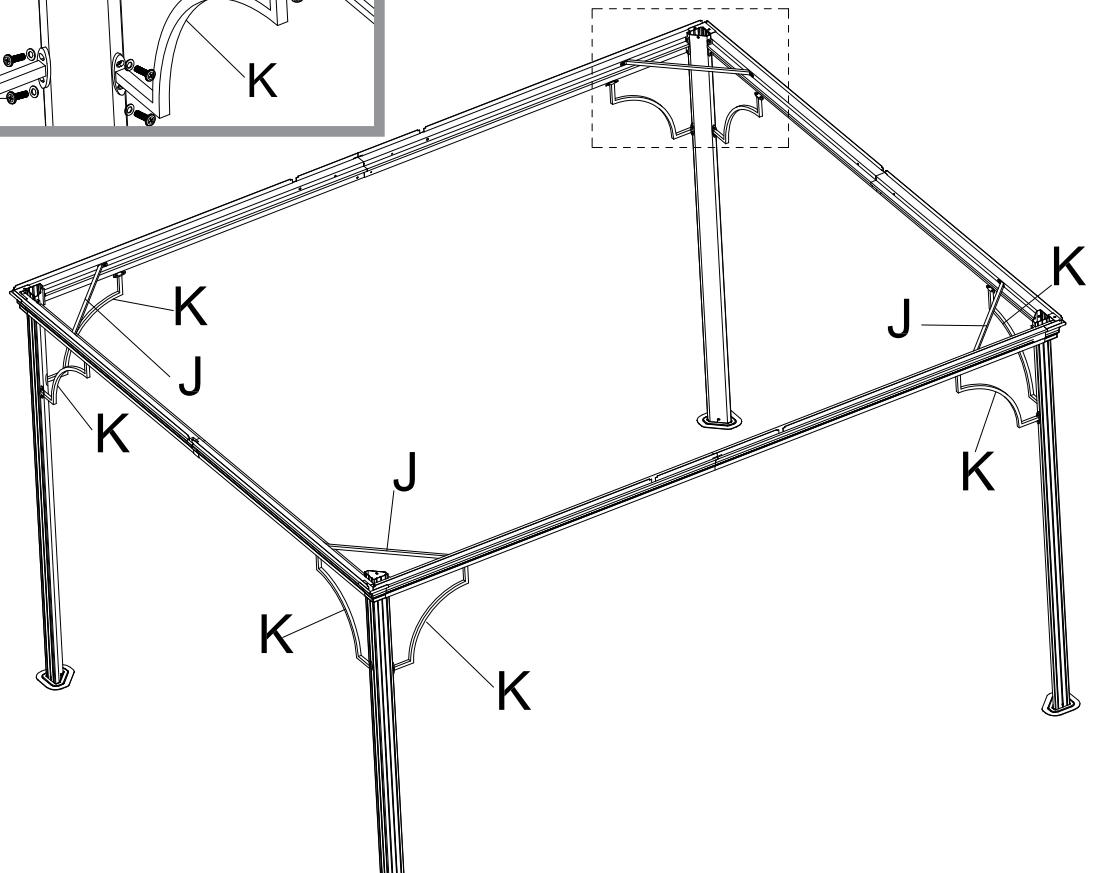
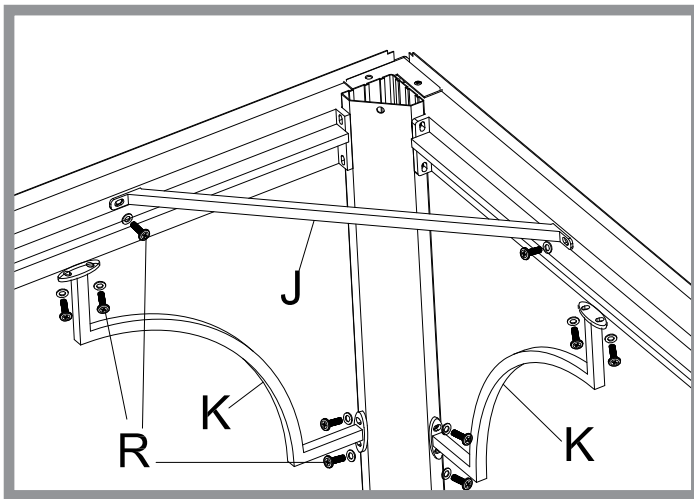


- Install joint covers (I) on the joint in the middle of ogees (B1 & B2) and (B3 & B4) using screws (S) on top and screws (R) under.
- Install corner covers (H) using screws (S).

# Step-5

J  x4

K  x8

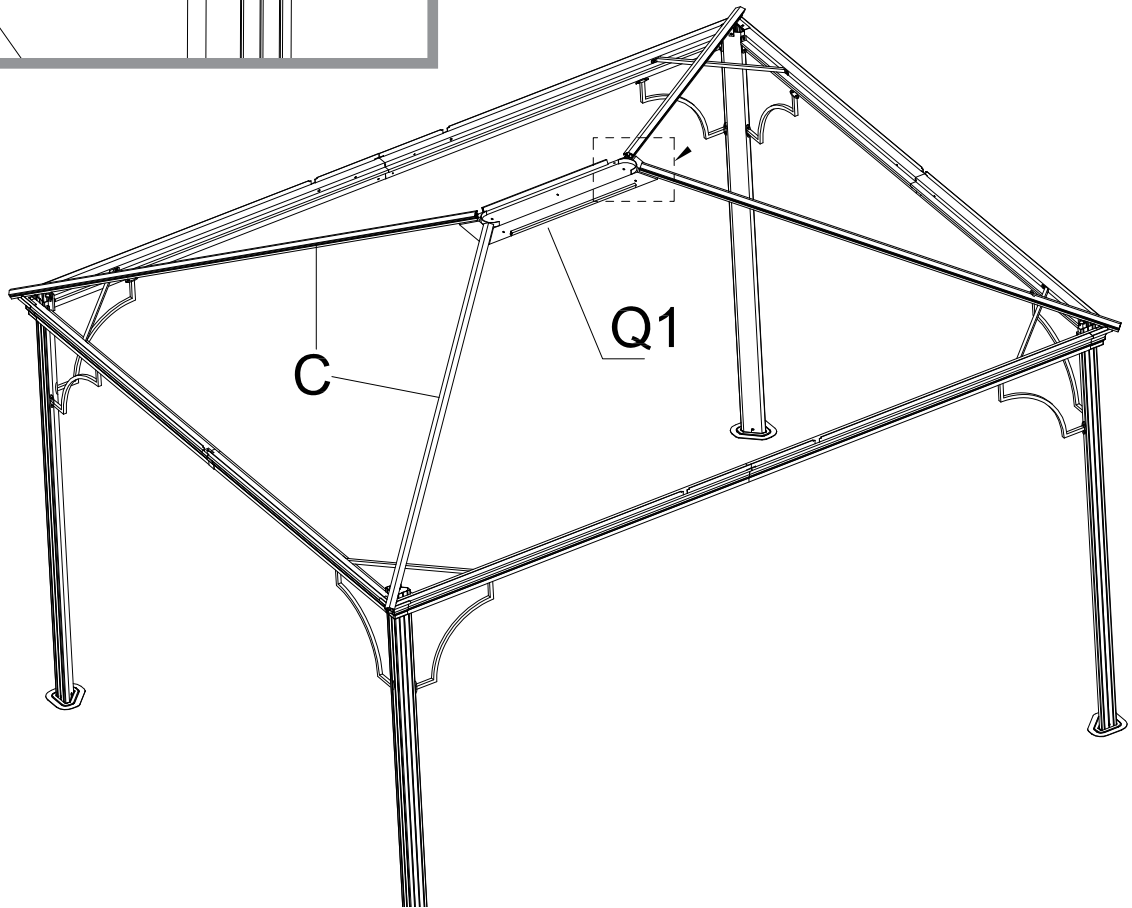
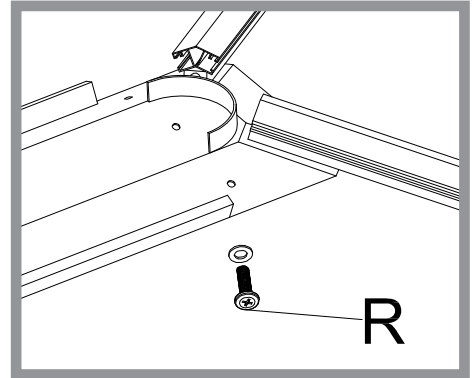
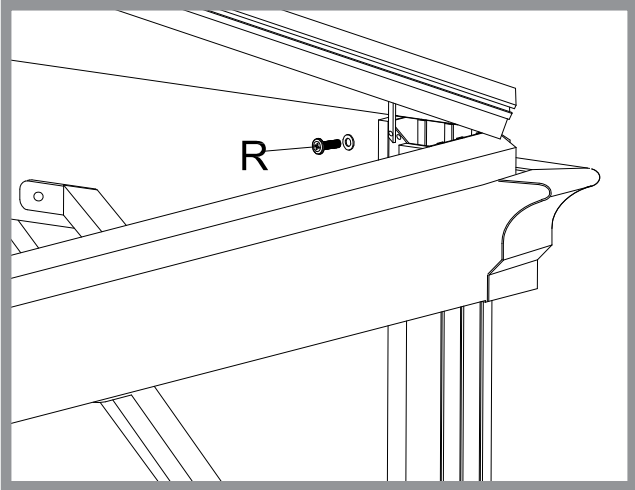


- Install solidifying bars (J) from ogee to ogee in order to form a triangle using screws (R).
- Install solidifying bars (K) from ogee to column using screws (R).

# Step-6


C  x4

Q1  x1

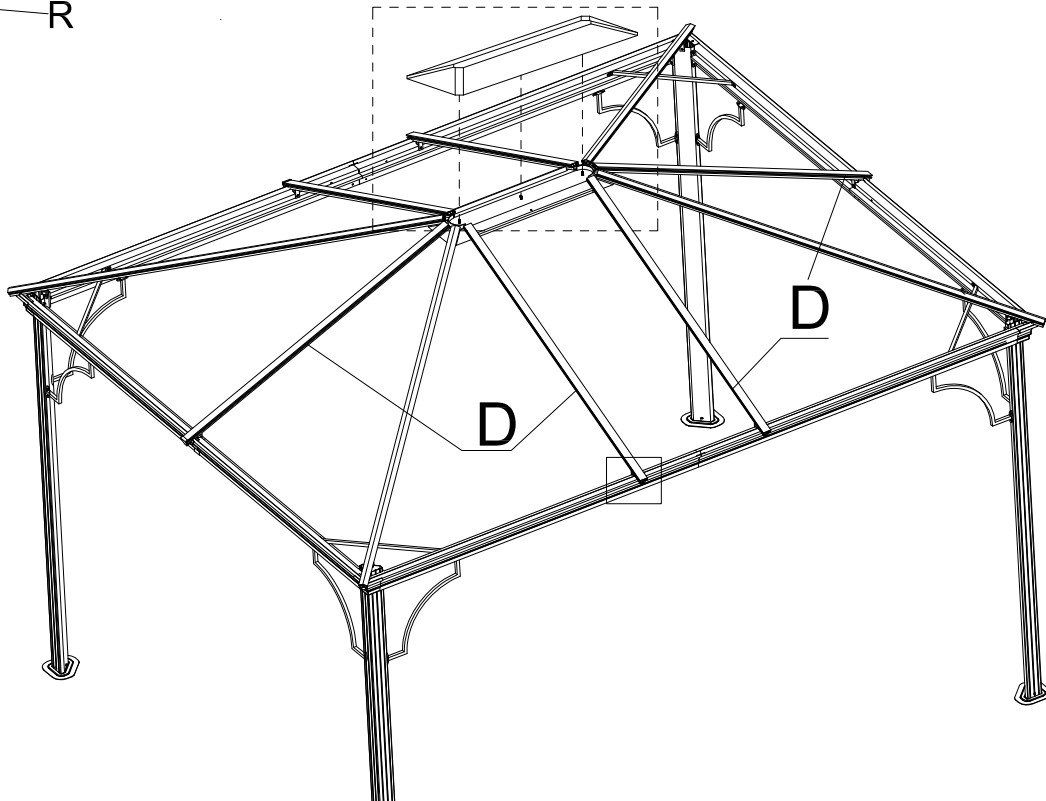
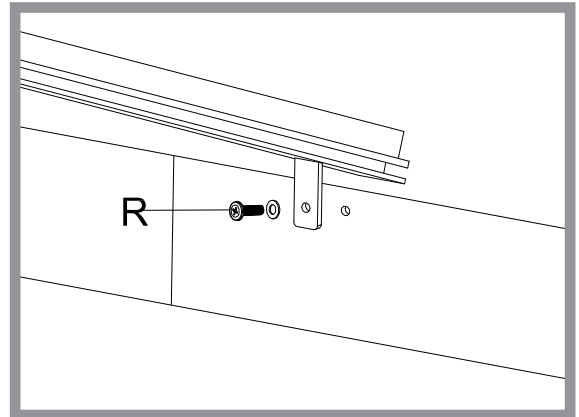
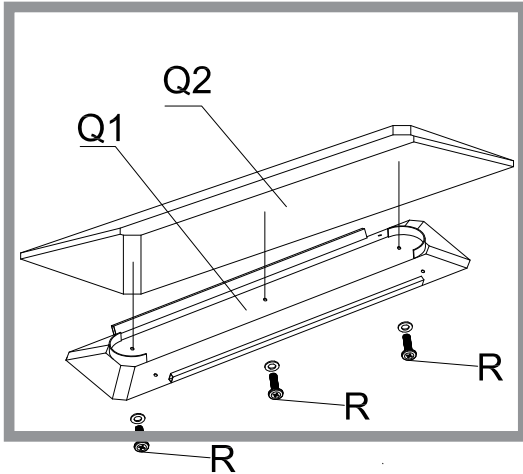


- Install roof bars (C) one at a time to the inside roof connector (Q1) using screws (R).
- Install roof structure on top of columns (A) using screws (R).

# Step-7

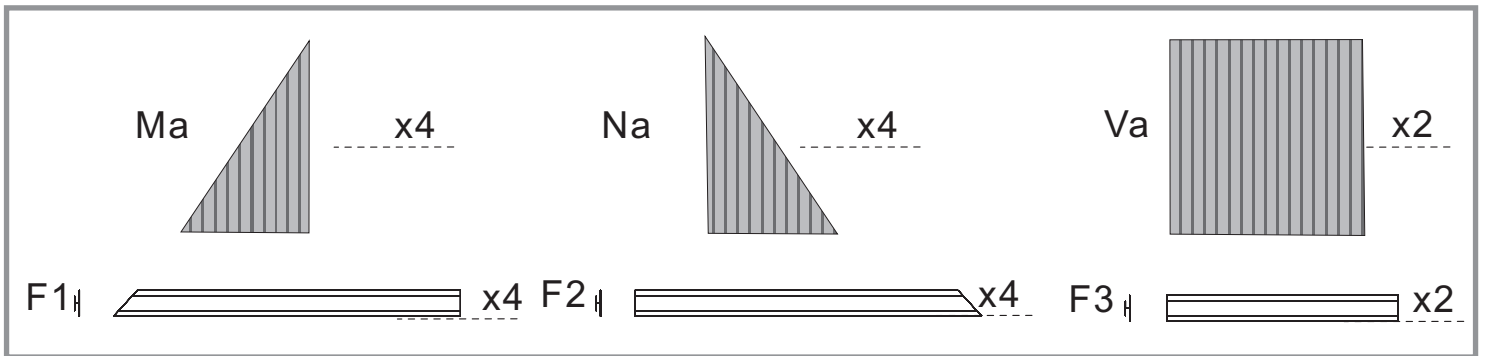
D  x6

Q2  x1

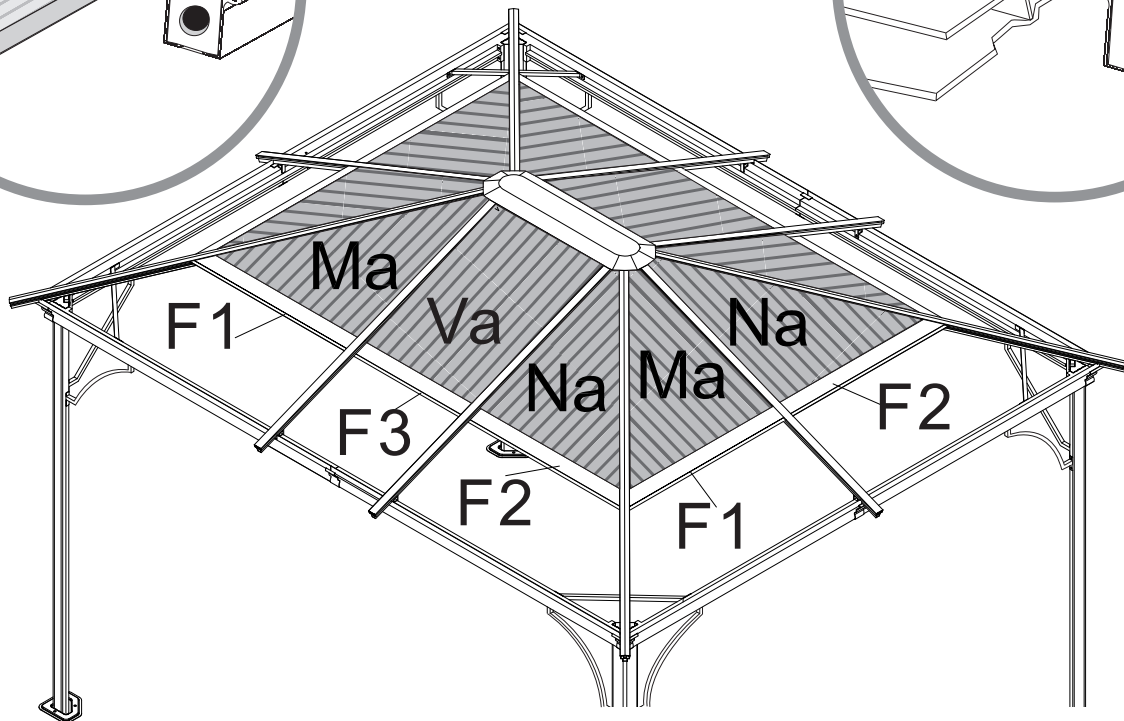
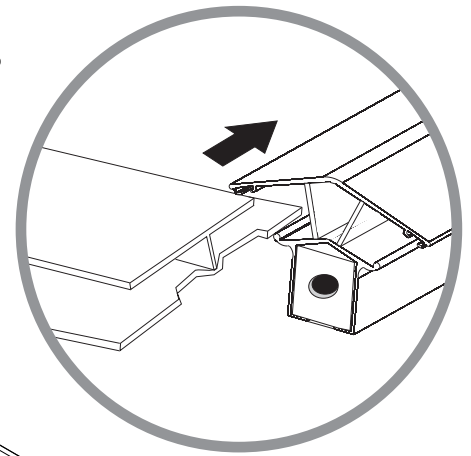
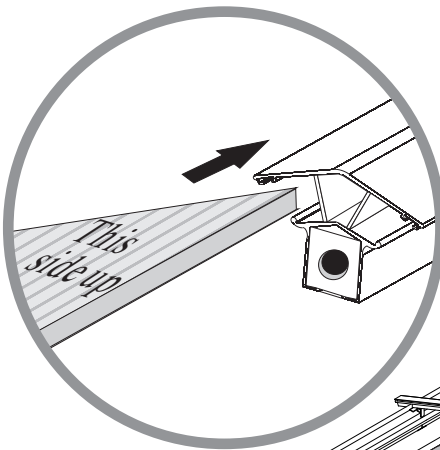


- Install roof bars (D) to the inside roof connector (Q1) using screws (R) and screw the other end to ogees using screws (R). Repeat for all bars (D).
- Install the outside roof connector (Q2) to the inside roof connector (Q1) using screws (R).

# Step-8

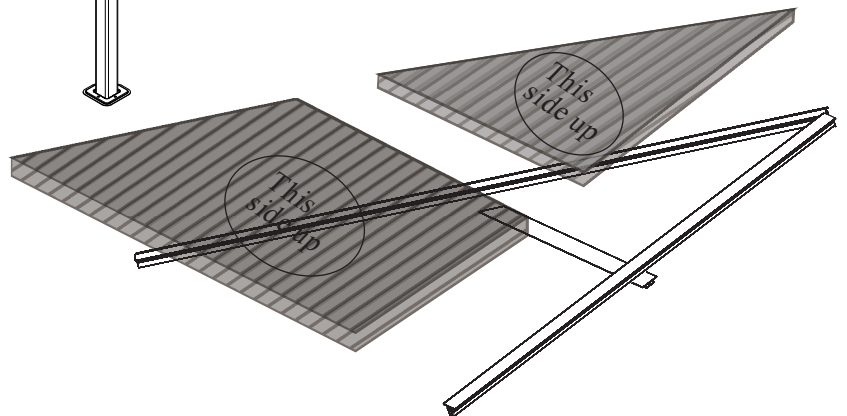
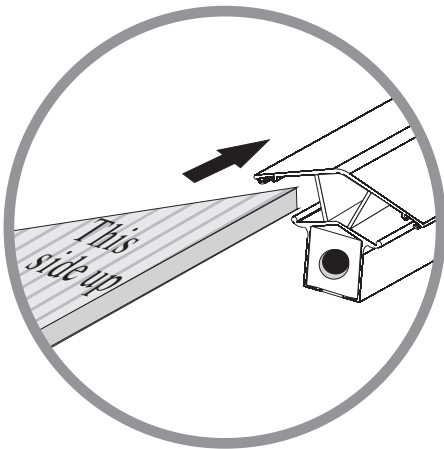
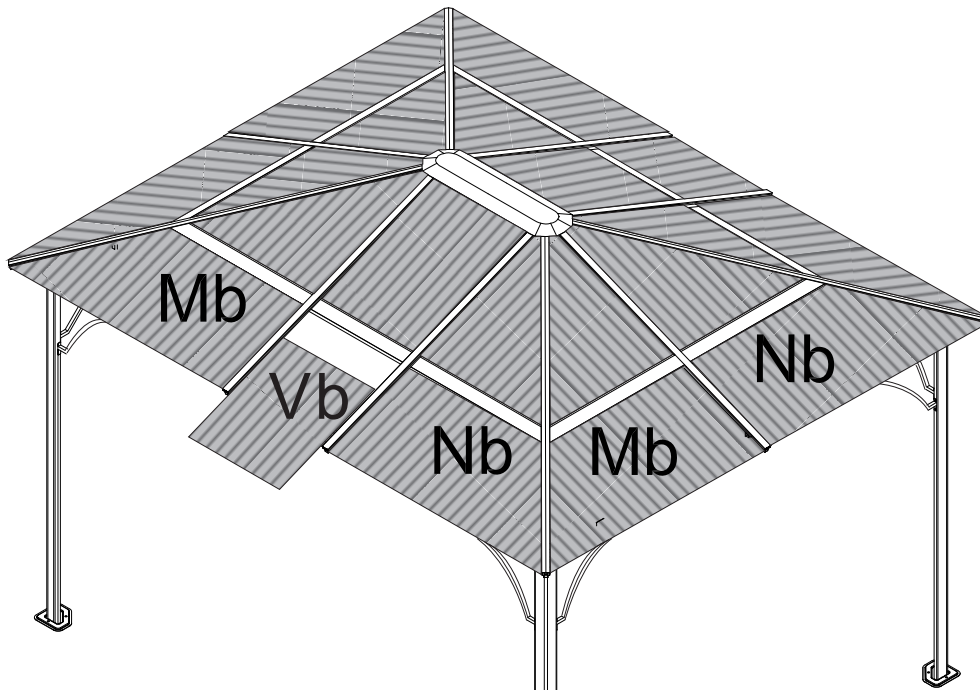
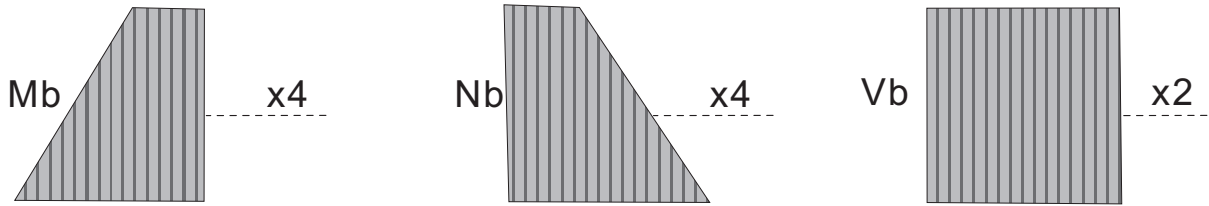


**One side of the roof panels is UV protected. Make sure the sun protected side faces the sun light.**



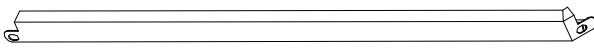
- Install the small roof panels (Ma) and (Na) according to the picture. Make sure they are completely inserted in the roof bars' track.
- Insert roof panels (Va) from the end of the roof bars in the middle of the 12 ft. side of the shelter. Align with the other panels.
- Install the roof support bar (F1, F2 & F3) according to the picture. Make sure they are completely inserted in the roof bars' track. Align (F3) with (F1 & F2).

# Step-9

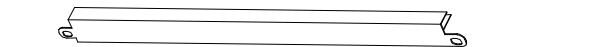


- Install the roof panels (Mb) and (Nb) according to the picture. Make sure they are completely inserted in the roof bars' track.
- Insert roof panels (Vb) from the end of the roof bars in the middle of the 12 ft. side of the shelter. Align with the other panels.

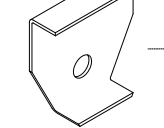
# Step-10

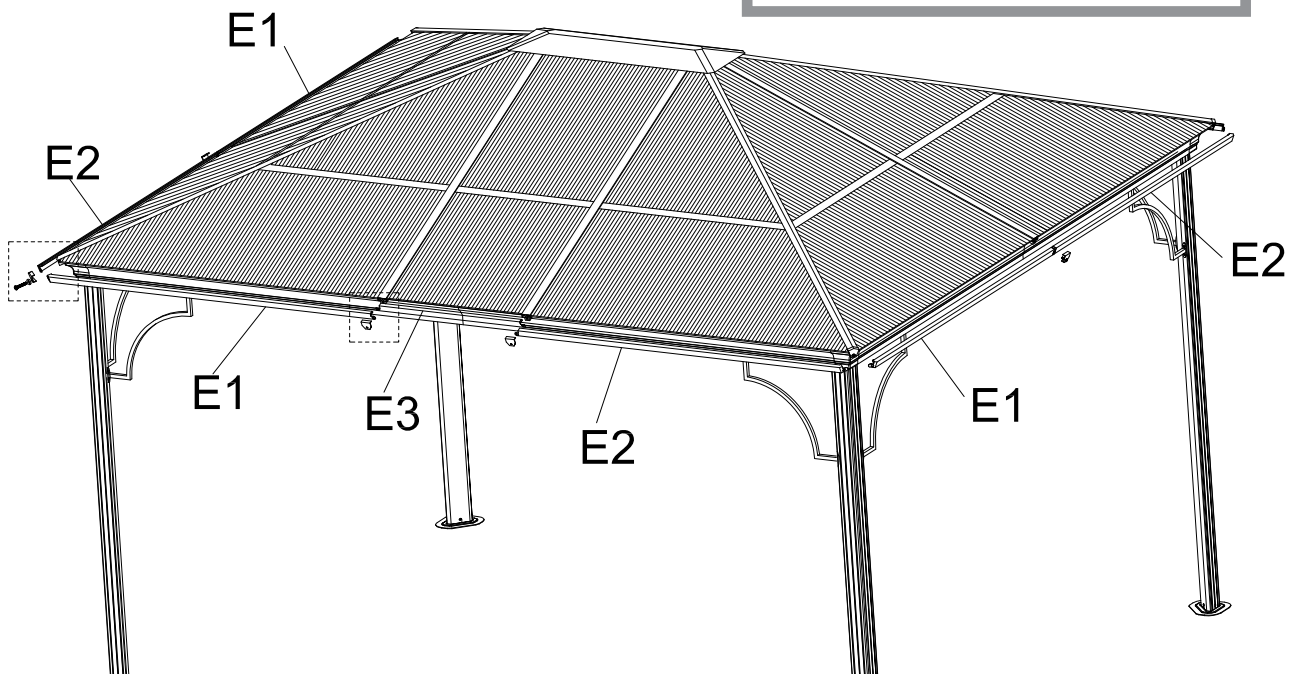
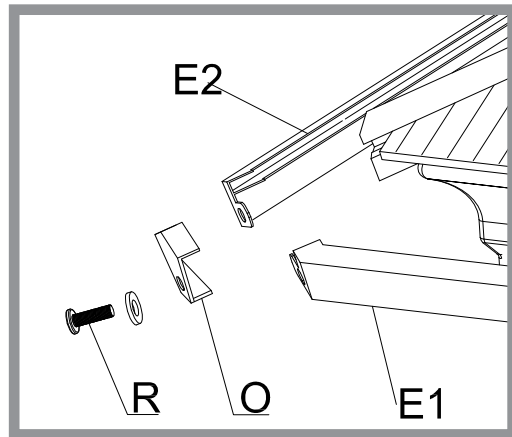
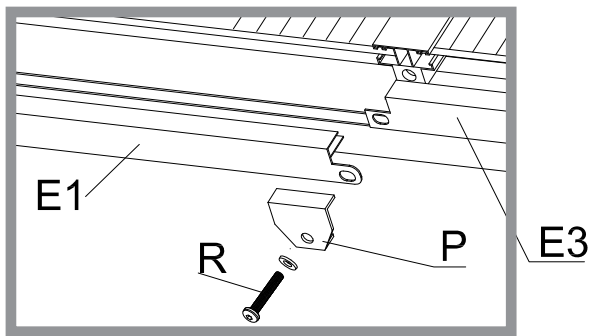
E1  x4

E2  x4

E3  x2

O  x4

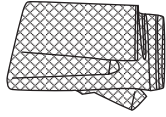
P  x6



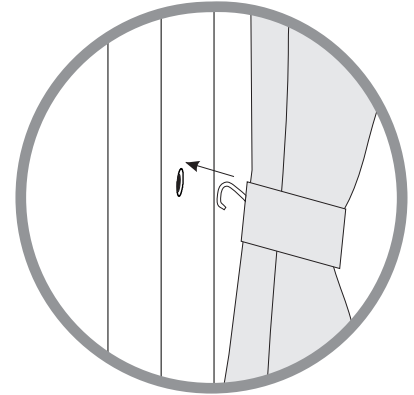
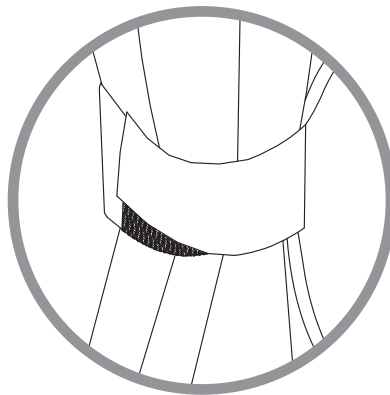
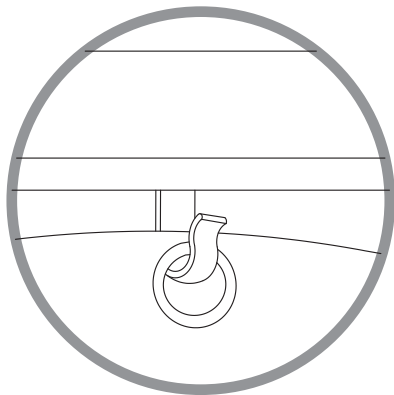
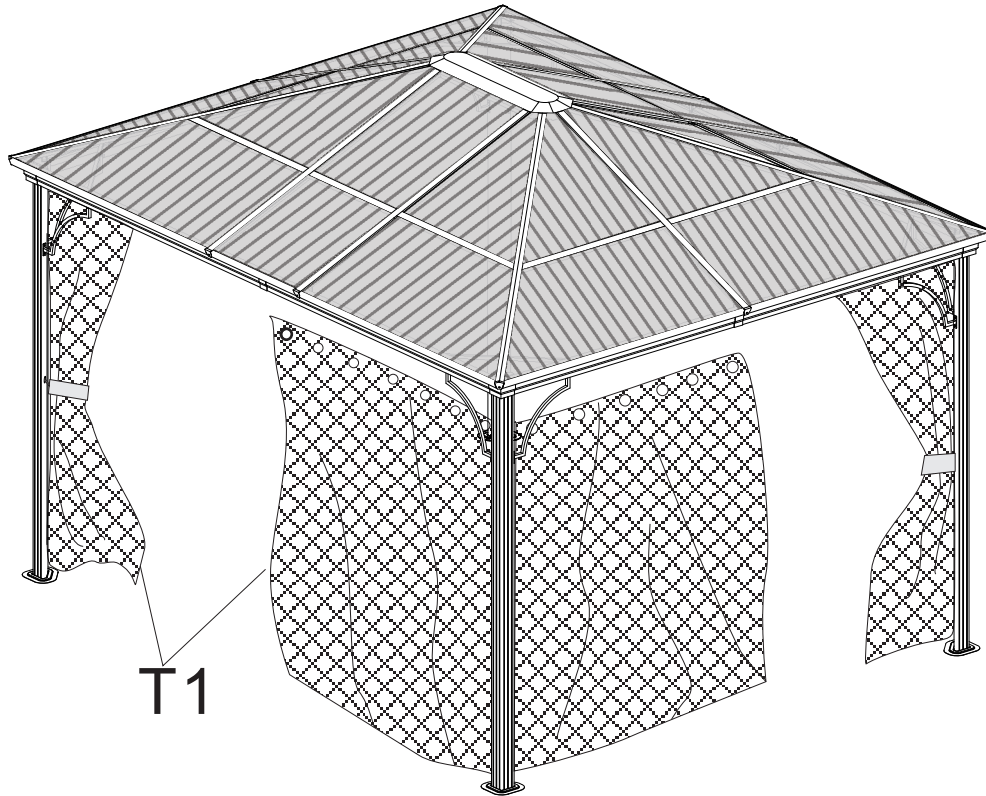
- On the 12 ft side of the shelter starting from left to right:
- Install roof finishing bar (E1), a roof finishing bar (E3) and a roof finishing end (P) using screw (R) from the end of the roof bar (D). Repeat with (E2).
- Use finishing end (O) for the corners.

# Step-11

T1



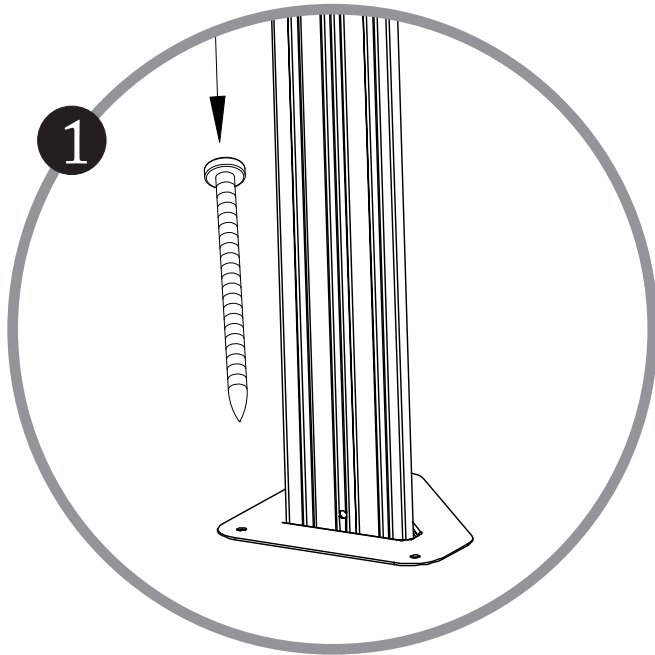
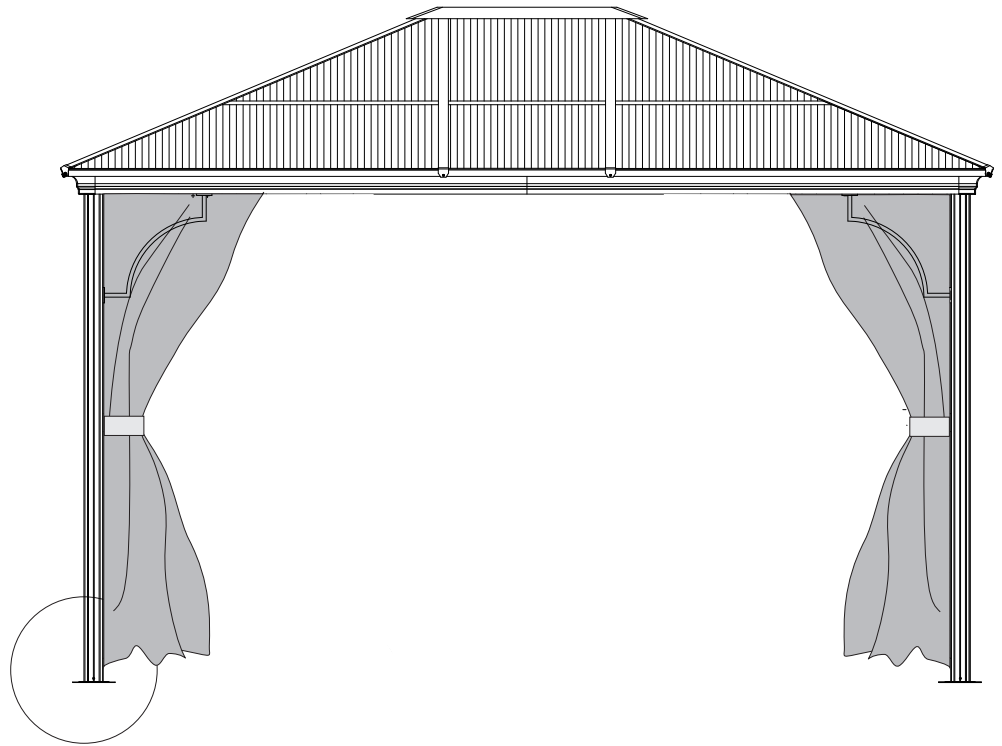
x4



- Install the mosquito netting (T1) along the inner tracks on hooks (L).
- Insert small metal hook on mosquito netting through the slit in the curtain and into small hole in column (A).



# Step-12



In order to firmly secure your structure to the ground you need to use screws, in accordance to the surface your product will be installed upon. Install the screws in the pre-drilled holes of the bases (K) of the shelter. Screws are not included. This step is mandatory for the warranty to apply since this is a permanent structure.