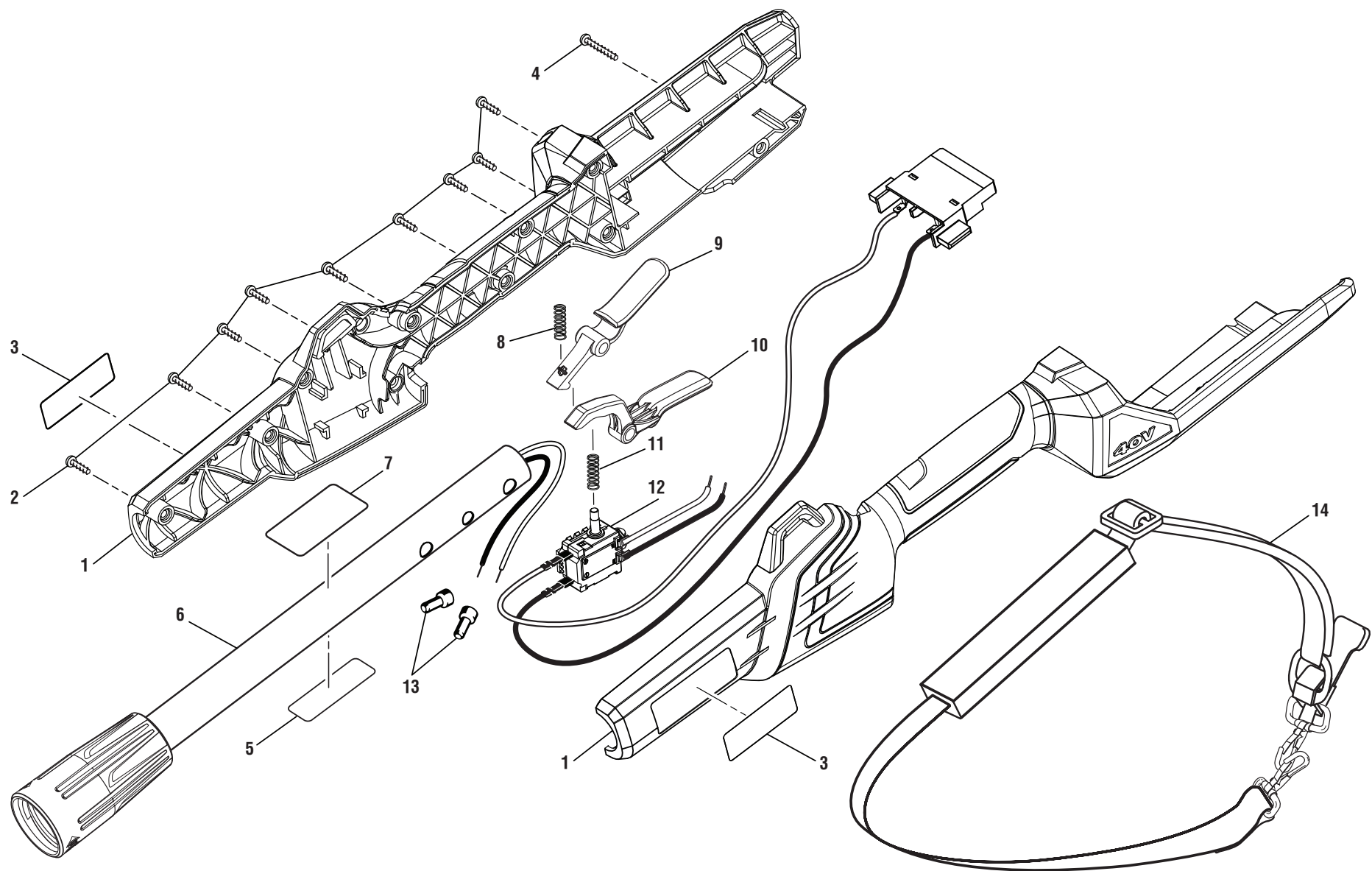


**RYOBI**  
**Pole Hedge Trimmer**  
**Item No. RY40603**  
**Mfg. No. 107443001**  
**Repair Sheet**

**TECHTRONIC INDUSTRIES POWER EQUIPMENT**

P.O. Box 1288  
Anderson, SC 29622  
Phone 1-800-860-4050  
[www.ryobitools.com](http://www.ryobitools.com)

FIGURE A  
ITEM NO. RY40001B



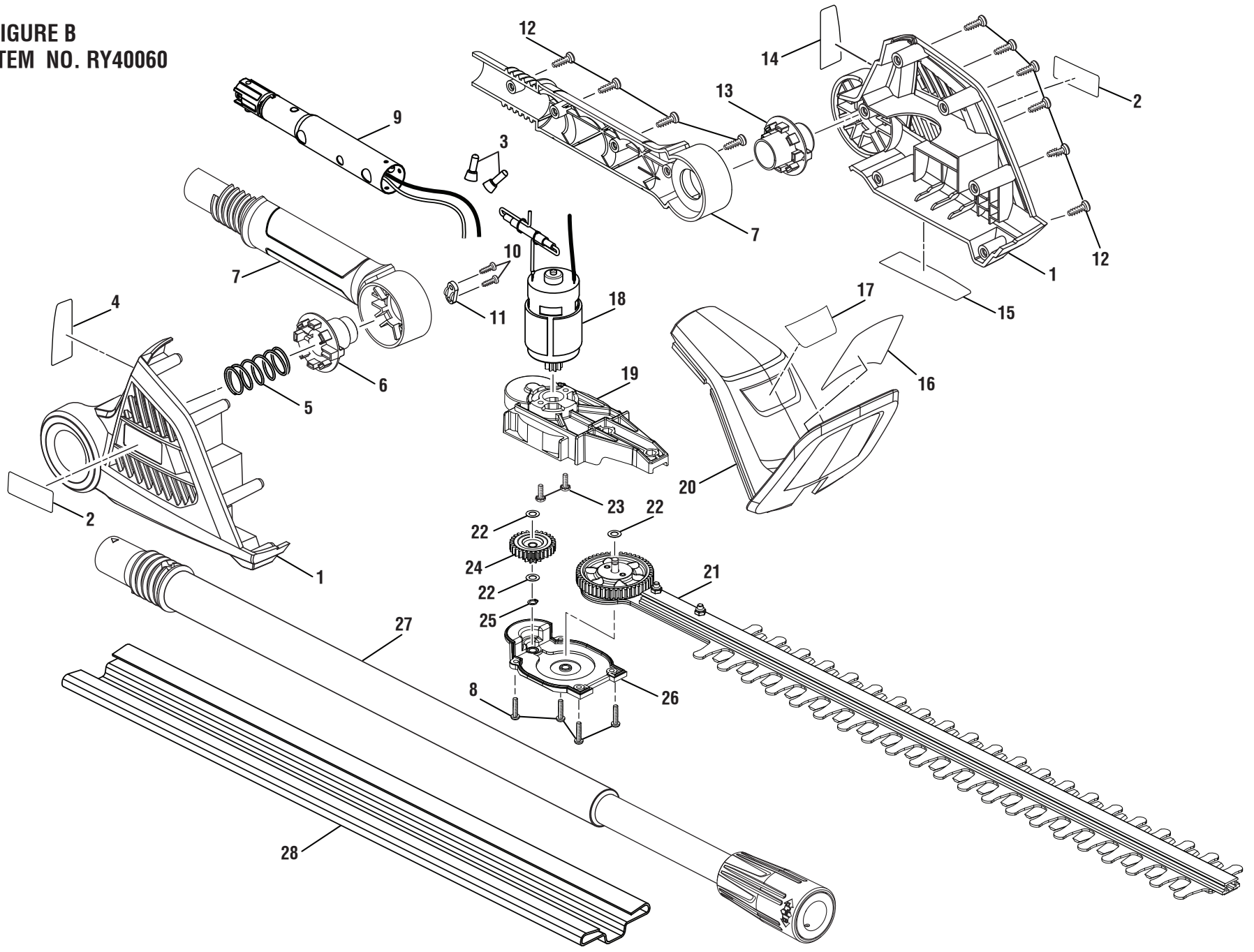
## RYOBI POLE HEDGE TRIMMER – MODEL NO. RY40603

The model number will be found on a label attached to the Upper Tube Assembly. Always mention the model number in all correspondence regarding your **POLE HEDGE TRIMMER** or when ordering replacement parts.

KEY NO.	PART NUMBER	DESCRIPTION	QTY
1	314756001	Rear Handle Assembly (Inc. Key No. 3).....	1
2	661817001	Screw (M4 x 14 mm, T15 Torx Pan Hd.).....	9
3	941545002	Logo Label.....	2
4	660208104	Screw (M4 x 30 mm, T15 Torx Pan Hd.).....	1
5	941657020	Data Label .....	1
6	315869001	Upper Tube Assembly (Inc. Key Nos. 5 and 7).....	1
7	941851103	Warning Icons Label.....	1
8	679973002	Compression Spring (Trigger Lock).....	1
9	525589001	Lock Off Button (Trigger Lock) .....	1
10	525590001	Switch Trigger.....	1
11	679973001	Compression Spring (Trigger).....	1
12	291452001	Switch and Contact Plate Assembly .....	1
13	790009004	Wire Connector.....	2
14	308047001	Shoulder Strap .....	1
	<b>Not Shown</b>		
	995000959	Operator's Manual	
	9-20-19		
	(Rev:01)		

RYOBI POLE HEDGE TRIMMER – MODEL NO. RY40603

FIGURE B  
ITEM NO. RY40060

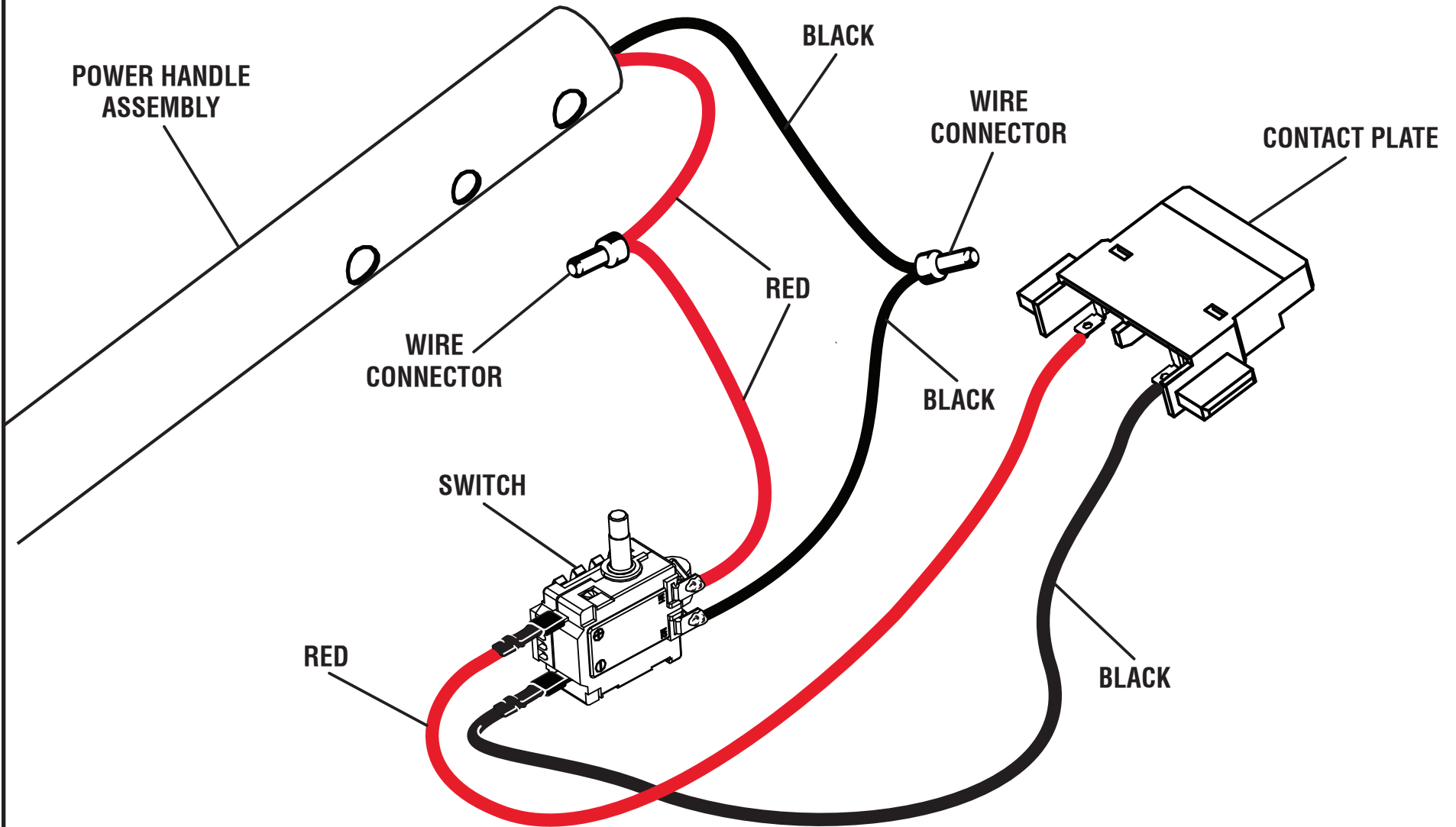


## RYOBI POLE HEDGE TRIMMER – MODEL NO. RY40603

The model number will be found on a label attached to the Motor Housing. Always mention the model number in all correspondence regarding your **POLE HEDGE TRIMMER** or when ordering replacement parts.

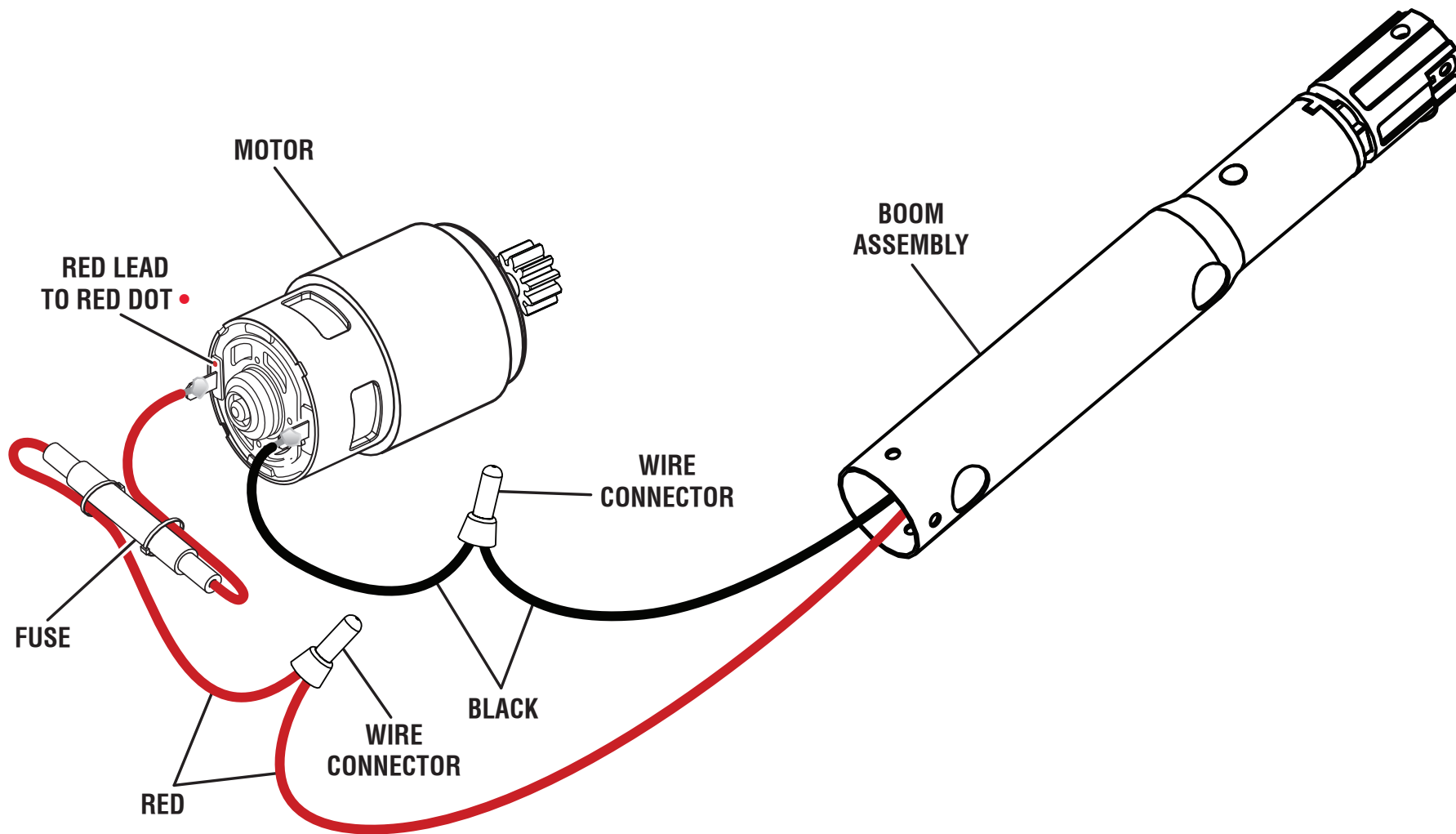
KEY NO.	PART NUMBER	DESCRIPTION	QTY
1	315870001	Motor Housing Assembly (Inc. Key Nos. 2, 4 and 14-15) .....	1
2	940114179	Logo Label.....	2
3	790009004	Wire Connector.....	2
4	940657330	Warning Icons Label (Left).....	1
5	679417001	Compression Spring (Pivot Button).....	1
6	525446001	Pivot Button (Right) .....	1
7	315753001	Pole Housing Assembly.....	1
8	660208052	Screw (M4 x 16 mm, Pan Hd.).....	4
9	315754001	Lower Boom Assembly .....	1
10	660208005	Screw (M4 x 16 mm, Pan Hd.).....	2
11	523001001	Strain Relief .....	1
12	661817001	Screw (M4 x 14 mm, T15 Torx Pan Hd.).....	10
13	525447001	Pivot Button (Left).....	1
14	940657331	Warning Icons Label (Right).....	1
15	941588465	Data Label .....	1
16	941657021	Danger Warning Label.....	1
17	941588461	40V Lithium-Ion Label .....	1
18	311078006	Motor Assembly .....	1
19	311065001	Base Assembly.....	1
20	315871001	Motor Cover and Guard Assembly (Inc. Key Nos. 16-17) .....	1
21	311185001	Blade Assembly.....	1
22	670914001	Washer (M6, ID6.2 x 11OD x 0.3t) .....	3
23	660137001	Screw (M4 x 12 mm, Pan Hd.).....	2
24	610114001	Center Gear .....	1
25	670704001	Retaining Ring (External) .....	1
26	311066001	Gear Box Cover Assembly .....	1
27	311081001	Extended Boom Assembly .....	1
28	525406003	Scabbard .....	1

RY40001B



WIRING DIAGRAM

RY40060



WIRING DIAGRAM