



# Instruction Manual & Parts Catalog

# Hydraulic Hitch Mounted Pickup Truck Crane

## Model 70238



**Read and understand this entire manual before assembling, installing, operating, or servicing this product.**

## SAVE THIS MANUAL

Copyright© 2012 by MaxxTow. All rights reserved. No portion of this manual or any artwork contained herein may be reproduced in any shape or form without the express written consent of MaxxTow. Due to continuing improvements, actual product may differ slightly from the product described herein. Tools required for assembly and maintenance may not be included.

## IMPORTANT SAFETY INFORMATION

This is a **SAFETY ALERT** symbol.



It is used to alert you to potential personal injury hazards.

Obey all safety messages that follow this symbol to avoid possible injury or death.



**DANGER** indicates a hazardous situation which, if not avoided, will result in death or injury.



**WARNING** indicates a hazardous situation which, if not avoided, could result in death or serious injury.



**CAUTION** indicates a hazardous situation which, if not avoided, could result in minor or moderate injury.



**NOTICE** indicates important information which, if not followed, may cause damage to equipment.

### SAVE THIS MANUAL

Keep this manual for the safety warnings and precautions. The manual offers important information on how to assemble, use and maintain this product.

Write the product's model number and purchase date on the cover page of this manual.

Keep this manual (and your purchase receipt) in a safe place.

## UNPACKING

The shipment should be thoroughly inspected as soon as it is received. The signed "bill of lading" is acknowledgement by the carrier of receipt in good condition or shipment covered by our invoice. For your own protection, if any of the goods called for on the bill of lading are shorted or damaged, do not accept them until the carrier makes a notation on the freight bill of the shorted or damaged goods.

**Notify MaxxTow immediately if any hidden loss or damage is discovered after receipt.**

## Definition of Symbols




**WARNING** concerning Risk of Eye Injury. Wear ANSI approved eye protection.






**WARNING** concerning Risk of Hearing Loss. Wear hearing protection.



## IMPORTANT SAFETY INSTRUCTIONS

-  **Read and understand all safety warnings and instructions.** Failure to follow the warnings and instructions may result in serious injury or death. Save all warnings and instructions for future reference.

### 2. Personal and Work Area Safety

-  **Always wear ANSI approved safety goggles.**
-  **Always wear hearing protection when working in noisy environments.** Prolonged exposure to high intensity noise can cause hearing loss.
-  **Use safety equipment.** Safety shoes, hard hat and work gloves must be used for applicable conditions.
- Dress appropriately.** Never wear loose fitting clothing or jewelry when working. Contain long hair, and keep hair, clothing and gloves away from moving parts.

- Use common sense when working.** Stay alert and concentrate when setting up and using this Crane. Never work while under the influence of alcohol, drugs or medications.

## **Personal and Work Area Safety (continued)**

**F. While assembling and using the Crane keep work area clean and well lit. Keep spectators and children out of the work area.**

### **3. Use of the Hydraulic Hitch Mounted Pickup Truck Crane**

**A. The Crane must be attached to a 2" x 2" Class III or Class IV receiver hitch.** The receiver hitch must be properly installed by a qualified service technician.

**B. This Crane is designed to be positioned outside the truck bed, and attached to the vehicle via the receiver hitch.** It is portable and easy to adjust to different boom positions for 500, 750 and 1,000 Lbs. maximum capacity. **Do not modify the Crane and do not use this product for purposes that it was not designed for.**

**C. Never exceed the maximum 1,000 Lbs. boom capacity.** When attaching load to Hook with Chain (8), use appropriate couplings rated to handle the load. Couplings must be fully engaged on the Hook, with the Hook's safety latch closed.

**D. Never lift people or animals.** Keep children and spectators clear of the area under and around the cargo being lifted. When operating the Crane, stay clear of the area between the Crane and the load.

**E. Before each use, inspect the Crane, the Long Ram Jack and the Chain and Hook for damage, corrosion and any other condition that might affect the safe performance of this product.** Service to the Crane should only be done by a qualified service technician.

**F. Only set up the Crane when the pickup truck is off the highway, in a clear location that is away from oncoming traffic.**

**G. Before lifting cargo into the truck bed, make sure the truck's engine is OFF with automatic transmission in PARK. Manual transmission vehicle's should be in gear. Chock all wheels for added safety.**

**H. Adhere to all Department of Transportation (D.O.T.) requirements when using this product.**

**I. Note the position of the vehicle's exhaust pipes before setting up the Crane.** Flammable goods being lifted by the Crane could come in contact with still hot exhaust pipes and catch fire.

**J. Setting up the Crane, and maneuvering heavy cargo on the Crane can be strenuous and dangerous. This should only be done by individuals who are physically able to handle the demands of these tasks.**

**K. The Crane is for lifting purposes only, not for supporting loads. Quickly support the load with appropriate jack stands or equivalent, if immediate loading or unloading is not possible. Do not leave a suspended load unattended.**

**L. Remove the Crane from vehicle's receiver hitch when Crane is not in use.**

**M. Always be aware of dynamic loading. An excess load may be created for a brief instant by a sudden tug or weight gain, which can result in damage to the Crane, the cargo, and/or personal injury.**

**Keep in mind that the warnings previously discussed cannot cover all possible events and circumstances. It is important that the person setting up, loading/unloading and using this product use common sense at all times.**

**MAXXTOW is not responsible for the attachment or the installation of this product. The attachment of this product is critical and beyond the control of MAXXTOW Towing Products. Failure to follow all instructions and safety warnings can result in an accident, injury and/or property damage. MAXXTOW neither guarantees, nor will it be liable for any damage resulting from the Hydraulic Hitch Mounted Pickup Truck Crane's attachment or improper use.**

**Assembling and Setting Up the Hydraulic Hitch Mounted Pickup Truck Crane**

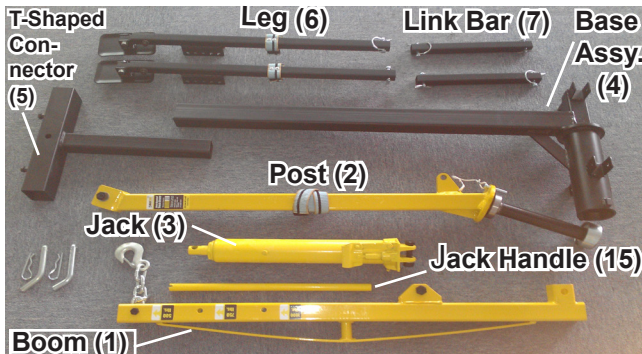
1. Refer to the Parts List and Assembly Diagram at the end of this manual when following the steps below.



**Always wear ANSI approved safety goggles when assembling, setting-up and using this product.**

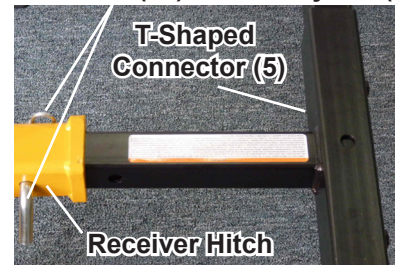
Component parts are heavy. Be careful not to pinch fingers when handling this product. Assistance from a helper will make product set-up much easier.

2. Set all components on the ground (see photo below)

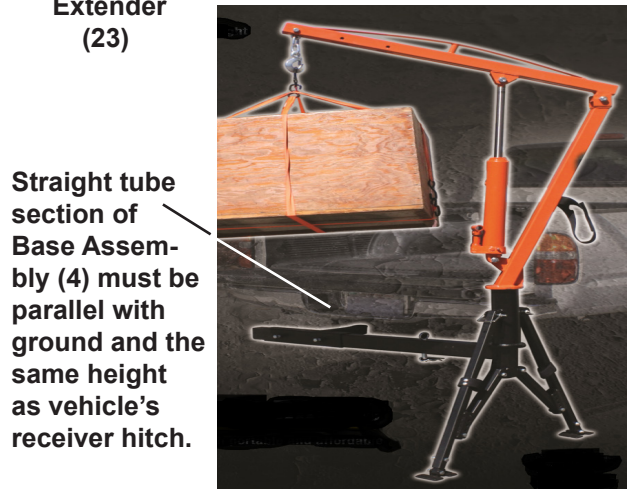
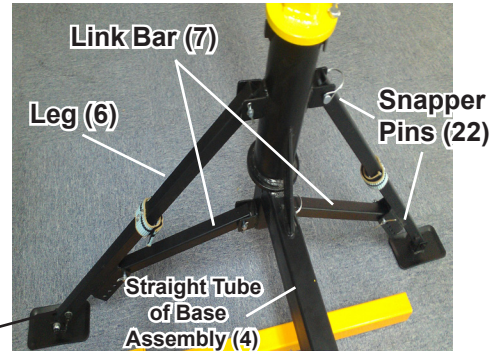


3. Insert shank of T-Shaped Connector (5) into the pickup truck's receiver hitch -see photo upper right. The receiver hitch must be 2" x 2" and rated Class III or Class IV.

4. Align the hole openings on receiver hitch and T-Shaped Connector and put the Hitch Pin (32) in place. Secure Hitch Pin with the Safety Pin (33).



5. Next, use Snapper Pins (22) to attach the 2 Legs (6) and 2 Link Bars (7) to the Base Assembly (4) - see photo to right.



Note: The straight tube section of the Base Assembly must be assembled so that it is parallel with the ground surface, and the same height as the vehicle's receiver hitch (see photo above). To accomplish this, first measure the distance of the vehicle's receiver hitch to the ground.

When assembling Legs (6), adjustments to Leg Extenders (23) and Link Bars (7) are needed to assure that the straight tube section of the Base Assembly is the same height as the vehicle's receiver hitch. Attach upper end of each Leg to the Base Assembly (4) using Snapper Pin (22).

The Link Bar (7) connects middle portion of each Leg to the Base Assembly. Note the different hole attachment positions (this will affect the height of the straight tube section of the Base Assembly).

Use Snapper Pins (22) to secure the Link Bars (7) in place. Compare the height of straight tube section of Base Assembly to height of vehicle's receiver hitch; they should be the same height.

Additional height adjustments can be made to the Leg Extenders (23) by re-positioning the Bolt (27) and Lock Nut (28) to different hole positions. Make adjustments as needed, and secure the Link Bars (7) in place with the Snapper Pins (22).

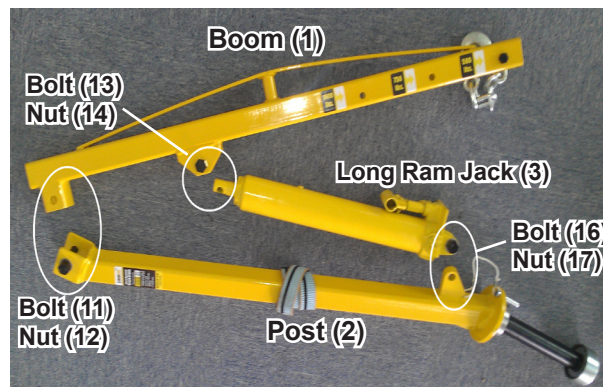
6. With Leg assembly now complete, slide the end of straight tube section of Base Assembly into the T-Shaped Connector (5). Lock these components together by tightening two Bolts (31).

7. Test the stability of the bottom half of the Crane. Make sure Foot Plates (24) are flat on the ground. Make sure that the T-Shaped Connector (5) is solidly connecting the Crane to the vehicle's receiver hitch. The straight tube section of the Base Assembly (4) should be parallel to the ground. Make sure all hardware and clips are tightly secured in place.

**8. Setting up the Boom (1)/Post (2)/Long Ram Jack (3) assembly:**

Identify the three components per the photo above right, and connect the three together

using the Bolt/Lock Nut combinations noted in the photo.

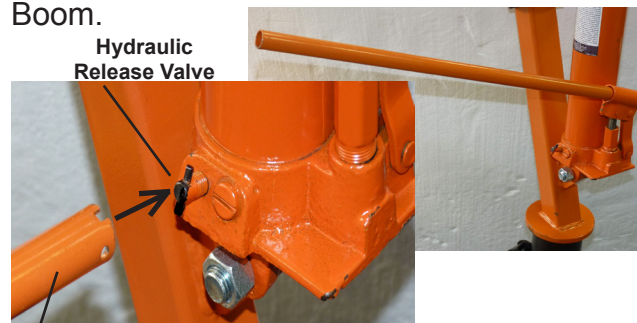


Once the three components are assembled, make sure they are folded together and held in place with the adhesive strap. With assistance, carefully lift the Boom/Post/Long Ram Jack assembly into place on top of the Base Assembly (4). This is a gravity fitting with no hardware connections. - see photo above right. Note the Stop Pin (18) - see photo below. The Boom can swivel from side to side; Stop Pin is inserted in either Stop 1 (19) or Stop 2 (20) location.



9. Remove the adhesive strap and open up the Boom (1).

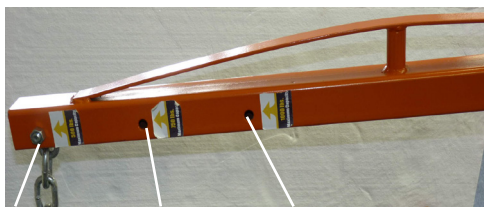
Before using the Jack Handle to raise and lower the Boom, identify the location of the hydraulic release valve (see photo below left). With the use of the Jack Handle, close the release valve completely (turn clockwise all the way) before attempting to raise the Boom. Now insert Jack Handle and pump handle to raise Boom.



Jack Handle (15)

## Operating the Pickup Truck Crane

1. With the pickup truck and the Crane properly and safely positioned next to the cargo to be lifted, the Crane is ready to be operational.
2. Know the weight of the cargo to be lifted. The cargo must be properly strapped and have attachment couplings that will attach to the Crane's Hook.
3. The lift range of the Crane is between 30" off the ground to 84" high.
4. Attach the Hook with Chain (8) to the correct maximum weight capacity on the Boom (1) - see photo below. There are 3 maximum weight settings: 500 Lbs., 750 Lbs., and 1,000 Lbs. Remove Lock Nut (10) and Bolt (9) and re-position Hook with Chain, as needed, to make sure that the weight of cargo being lifted falls below the maximum weight setting chosen. Replace Bolt and Lock Nut to hold Hook with Chain in place.



500 Lbs. 750 Lbs. 1,000 Lbs.  
Weight Capacity

5. Swing the Boom (1) so that it is facing the cargo to be lifted. The cargo must be properly strapped and have a hanging coupler that will be compatible with the Crane's Hook.
6. Raise the Boom (1) as previously described (close release valve completely and pump Jack Handle), or lower the Boom as needed.

Note: Slowly turning the release valve counterclockwise will lower the Boom. Be alert as the Boom will quickly descend to its lowest position.

7. Attach the cargo to the Boom's Hook.
8. Use the Jack Handle to close the hydraulic release valve (turn clockwise completely), and then pump Jack Handle to slowly raise the Boom and the cargo.
9. With the cargo raised, the Post (2) can be pivoted to move the cargo into the truck bed.
10. With the cargo positioned over the truck bed, slowly turn the hydraulic release valve counterclockwise and the cargo will be lowered to the truck bed.
11. Remove the cargo's coupler from the Boom Hook and swing back the Boom to its original position.
12. If work is done, dis-assemble the Crane by first lowering the Boom to its lowest position. Remove the Jack Handle (15). Next, fold the Boom (1) to its closed position and with assistance, lift it off the Base Assembly. Disconnect the Crane from the pickup truck by removing the T-Shaped Connector from the vehicle's receiver hitch. Legs (6) can then be folded up. Use the storage Straps (38 and 39) to hold the folded components in place while not in use - see photo below.



## Maintaining the Hydraulic Hitch Mounted Pickup Truck Crane

1. Frequently check the condition of the Crane and the pickup truck's receiver hitch. Make sure all components are in good condition. If the Crane or receiver hitch become damaged through accident, or if any other

type of damage is noted, they should be replaced.

Check to make sure that all hardware is tightly secured in place.

2. If you notice that the efficiency of the Long Ram Jack is decreasing, it may be due to air being trapped within the hydraulic system. **In this situation, the hydraulic system needs to be bled of this excess air.**

A. Use the Jack Handle to open the air release valve; turn Jack Handle about 1-1/2 turns counterclockwise.

B. Remove the pliable oil fill plug on the side of the Jack - see photo below. Carefully turn it and pull it out.

C. Pump the Jack Handle rapidly for several cycles to remove excess air from the system.

D. Turn air release valve clockwise to close the system.

E. Carefully replace the oil fill plug.

3. Keep the Crane clean and periodically lubricate moving parts.

4. Replacing hydraulic oil: It is important that hydraulic oil be replaced at least once per year (or more, if Crane is frequently used). Only use a good quality hydraulic oil and never mix different brands of oil together.

#### **To change hydraulic oil:**

A. Remove the Jack from the Crane. Lower the Jack's ram completely.

B. Locate the oil fill plug on the side of the Jack and remove it.

C. Drain the old oil from the hydraulic system.

D. Fill the hydraulic system with new high quality hydraulic oil; fill to the lower edge of the fill hole.

E. Bleed air from the hydraulic system (see previous instructions (paragraph #2 to the left)).

F. Top off the hydraulic system with more oil and replace the oil fill plug.

### **SPECIFICATIONS**

<b>3 Boom Positions and Weight Capacities</b>	<b>500, 750 and 1,000 Lbs.</b>
<b>Lift Range</b>	<b>From 30" off ground to 84" high</b>
<b>For Use With</b>	<b>2" x 2" Class III and IV Receiver Hitch</b>
<b>Crane Swivel</b>	<b>360 Degrees</b>



#### **Limited Warranty**

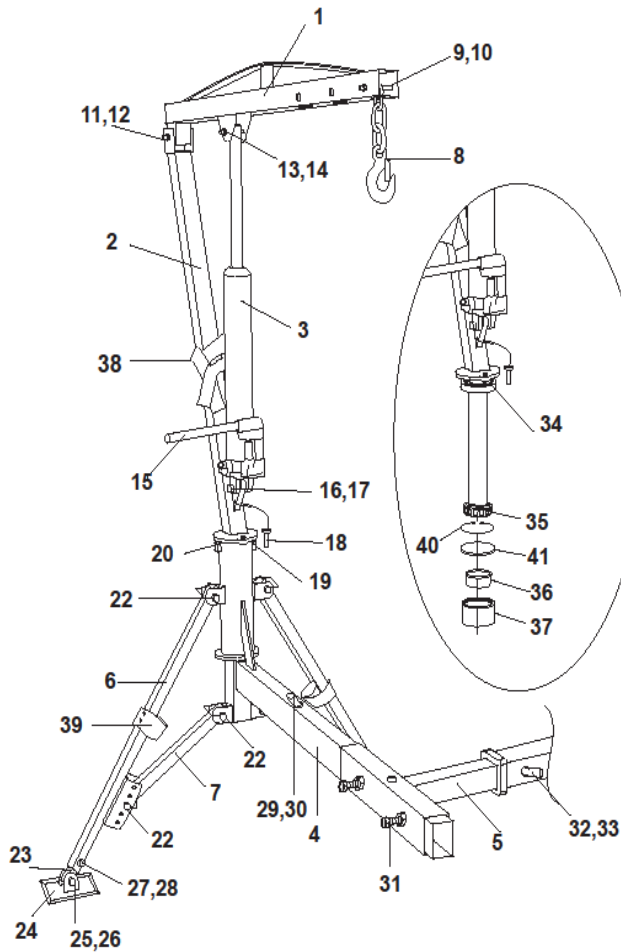
MAXXTOW warrants to the original retail purchaser that the product is free of defects in material and workmanship at the time of shipment. This Hydraulic Hitch Mounted Pickup Truck Crane is warranted for 90 days from the date of purchase. This warranty is expressly in lieu of all other warranties, express or implied.

Proof of purchase is required for warranty transactions; a copy of the original invoice or sales receipt is required.

# Parts List

Part #	Description	Qty.	Part #	Description	Qty.
1	Boom	1	23	Leg Extender	2
2	Post	1	24	Foot Plate	2
3	Long Ram Jack	1	25	Bolt	2
4	Base Assembly	1	26	Lock Nut	2
5	T-Shaped Connector	1	27	Bolt	2
6	Leg	2	28	Lock Nut	2
7	Link Bar	2	29	Pin	1
8	Hook with Chain	1	30	R-Pin	1
9	Bolt	1	31	Bolt	2
10	Lock Nut	1	32	Hitch Pin	1
11	Bolt	1	33	Safety Pin	1
12	Lock Nut	1	34	Bearing	1
13	Bolt	1	35	Thrust Bearing	1
14	Lock Nut	1	36	Bearing Cover	1
15	Jack Handle	1	37	Protecting Housing	1
16	Bolt	1	38	Strap	1
17	Lock Nut	1	39	Strap	2
18	Stop Pin	1	40	Retaining Ring	1
19	Stop I	1	41	Cap Plate	1
20	Stop II	1			
22	Snapper Pin	6			

## Assembly Drawing



Note: The Parts List and Assembly Diagram is provided as a reference tool only. Some parts are listed and shown for illustration purposes only, and are not available as replacement parts. All repairs to this tool (including replacing parts) should only be done by a qualified service technician.