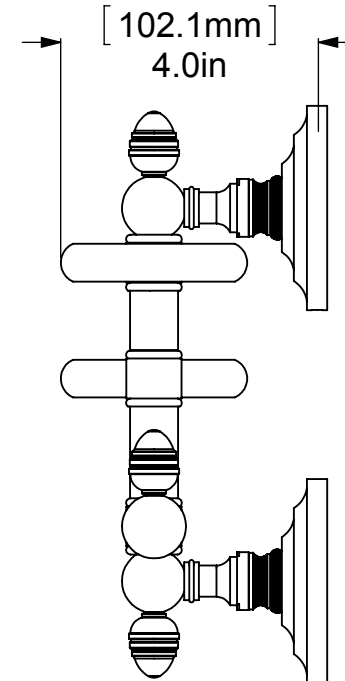
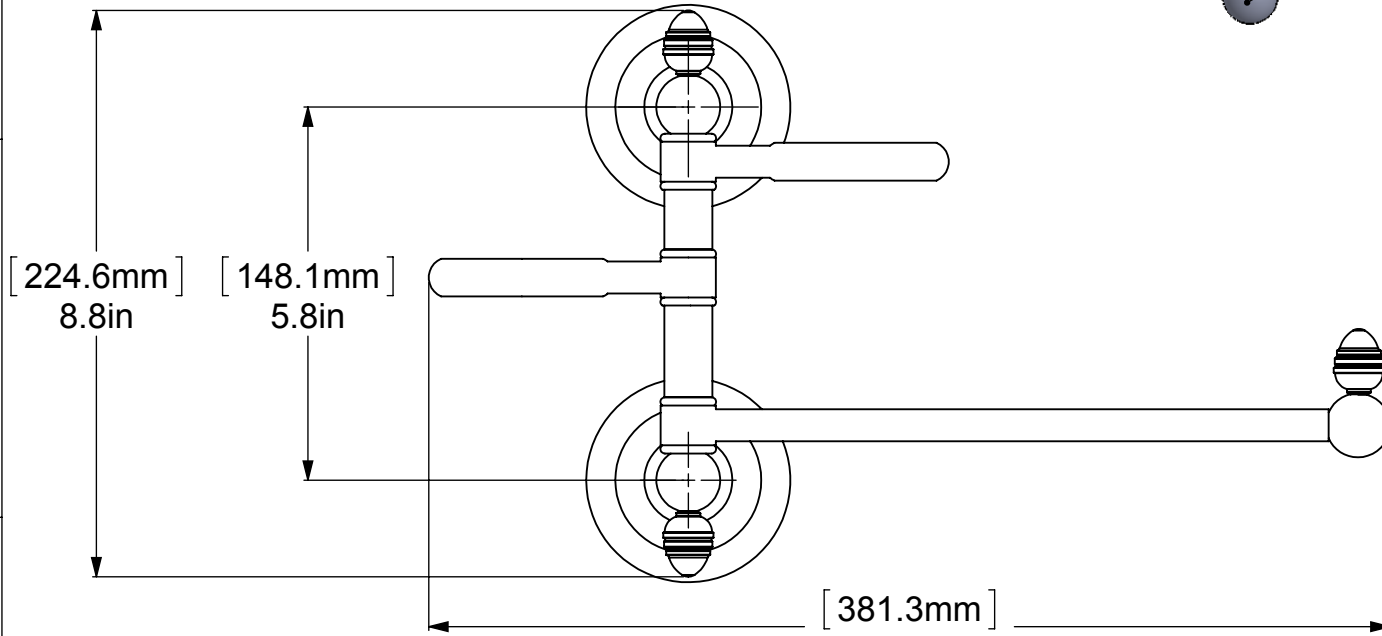


ITEM NO.	P/N	Description	QTY.
1	BPQN	BACKPLATE	2
2	NKSL-58	SUPPORT	2
3	NKSL-78	NECK	2
4	mr-tilt-fitt	TILT	3
5	CRRD-34	CHECK RING	6
6	TU34-1.5	TUBE	2
7	TU12-10	TUBE	1
8	BL1T-1	HUB	1
9	KBGT-1	PEG	3
10	BL2T-1	HUB	2
11	TU12-1	TUBE	2
12	HRRD	RING	2



UNLESS OTHERWISE STATED	
.X	±.3mm
.XX	±.15mm
.XXX	±.008mm

COPYRIGHT © Allied Brass 2016

THIRD ANGLE PROJECTION

DRAWN	8/9/2016	I.M	MATERIAL:	BRASS		FINISH	TBD
CHECKED	8/9/2016	P.D	DESCRIPTION:		QUANTITY	TBD	
APPROVED	8/9/2016	R.A	HAIR DRYER HOLDER		DRAWING No.	REV	
				QN-GTBD-1		0	
SCALE		1:3	SHEET: 01		A4		