

In This Section...

redodot® and Carlon®

Red-Dot® and Carlon® Weatherproof Boxes and Covers and Conduit Bodies

Weatherproof Boxes and Covers and Lighting Products — Overview	H-2
Weatherproof Covers	H-3–H-8
Weatherproof Lampholders	H-9–H-10
Weatherproof Fixtures	H-11–H-12
Code Keeper® Weatherproof Covers — Overview	H-13–H-14
Code Keeper® Weatherproof Covers	H-15–H-16
Universal While-In-Use Covers	H-17–H-18
Swimming Pool Junction Boxes	H-19
Universal Boxes and Covers	H-20–H-23
Weatherproof Covers	H-24–H-27
Round Boxes, Extensions & Covers	H-28–H-29
Weatherproof Lampholders	H-30–H-34
Outdoor Lighting	H-35–H-48
Vaportight Lighting	H-49–H-54
Rigid/Aluminum Conduit Bodies, Gaskets & Covers	H-55–H-60
Mogul Pulling Elbow/Service Entrance Bodies	H-61–H-62
Service Entrance Fittings	H-63
Zinc Concrete Slab Inserts, Elbows & Plugs	H-64–H-65

redodot® and Carlon® Weatherproof Boxes, Covers and Conduit Bodies

Thomas & Betts

Corporate Office
Tel: 901.252.8000
800.816.7809
Fax: 901.252.1354

Customer Service
Tel: 800.816.7809
Fax: 800.816.7810

Technical Services
Tel: 888.862.3289
Fax: 901.252.1321

Tool Services
Tel: 800.284.8665

Thomas & Betts

www.tnb.com

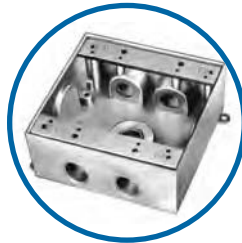
Weatherproof Boxes and Covers and Lighting Products

The industry's preferred choice for more than 50 years — Red•Dot® Weatherproof Boxes and Covers withstand the harshest elements and ensure trouble-free installation and performance.



Boxes

Red•Dot® boxes are made from durable die-cast aluminum and available in single- and double-gang rectangular as well as round configurations — with a variety of hub sizes to meet all needs.



While-in-Use

Red•Dot® offers a wide variety of both metallic and non-metallic while-in-use covers. All of these covers help ensure that you meet the requirements of the National Electrical Code®.



Conduit Bodies

Red•Dot® offers a large selection of die-cast aluminum general purpose conduit bodies in sizes up to 4".



Covers

Red•Dot® die-cast flip-lid weatherproof covers protect any outdoor receptacle from the elements. Constructed from rugged die-cast zinc, these covers will last a lifetime.



D-PAK®

With a descriptive, easy-to-read label and display-ready packaging, the display packs make it quick and easy to put Red•Dot® out for customers to see.



Lighting

Red•Dot® has a complete lighting package for both general purpose outdoor lighting as well as decorative garden lights. All lighting products run off line voltage, providing more flexibility and brighter lighting than low-voltage or solar-powered sets, plus no additional transformers are required.



Merchandisers

With your choice of various stock displays or a customized display to fit your needs, Red•Dot® makes it easy to increase your counter sales.



NEW!

Universal Non-Metallic Recessed Box and Cover

T&B's Universal Recessed Box and Cover finally solves the problem of needing a while-in-use cover, but not wanting to have a bulky cover on the outside of your home or building. The universal design means that the cover will accommodate a GFCI, duplex, switch or single receptacle up to 3/16", making it the perfect choice for all outdoor outlets.

- Horizontal or vertical orientation
- Easily install in new work and old work applications
- Meets NEC® 406.8(B) code requirements
- Lockable cover design for added security using external locking device*
- Accommodates GFCI, duplex, toggle switch and single receptacles up to 3/16" when combined with included inserts**
- High-impact UV-resistant polycarbonate cover
- All installation screws included



redodot® and Carlon® Weatherproof Boxes, Covers and Conduit Bodies

Universal Recessed Box and Cover



CAT. NO.	DESCRIPTION	STD. CTN.
CKRU-G8	Gray Box with a Gray Cover, Bulk Packaging	8
CKRU-WH8	White Box with a White Cover, Bulk Packaging	8
CKRU-8	Gray Box with a Clear Cover, Bulk Packaging	8

UL Listed.

CSA Certified.

* External locking device (such as a padlock) not supplied.

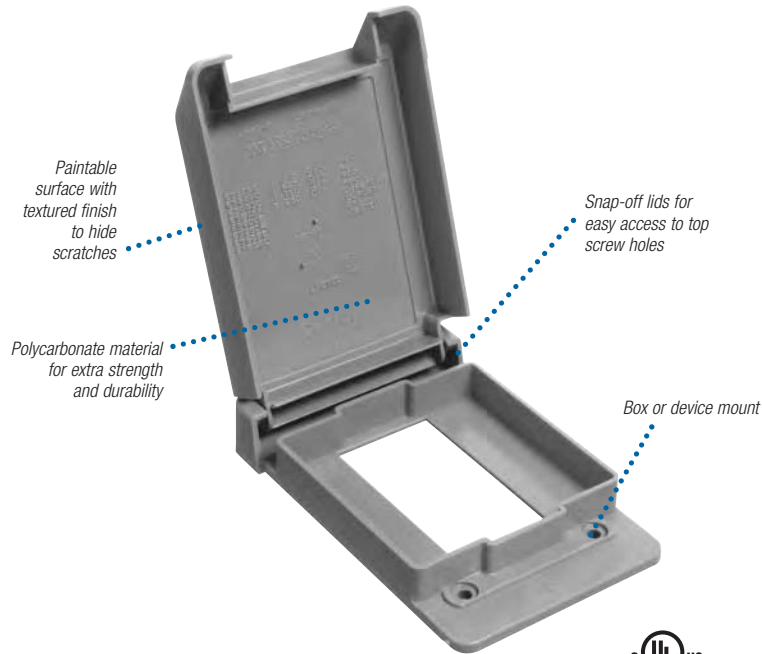
** Cover fits GFCI, the industry's most commonly used receptacle, without the use of inserts.

Carlon®

Weatherproof Covers

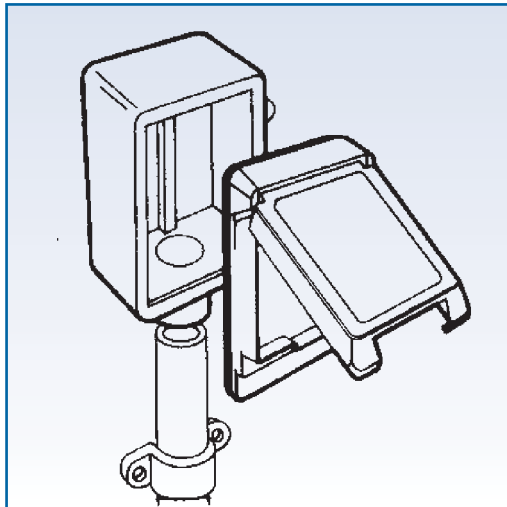
Carlon® Non-Metallic Weatherproof Covers

- UV resistant — suitable for outdoor use
- Fits all standard receptacles
- Non-metallic/Noncorrosive
- UL Marine Listed
- CSA Certified



Installation

- Includes base, cover, gasket and mounting screws



Box Mounting:

1. TURN OFF POWER.
2. Place gasket on top of outlet box.
3. Attach the device to the box.
4. Fasten cover to outlet box.

NOTE: These covers must be mounted in accordance with all local and NEC®/CEC requirements.

Device Mounting:

1. TURN OFF POWER.
2. Place gasket on top of outlet box.
3. Fasten cover to outlet box.
4. To ensure a weatherproof seal, use a ¼" minimum bead of RTV-type silicone, neoprene, urethane or polyurethane caulking between gasket and mounting surface.

NOTE: These covers must be mounted in accordance with all local and NEC®/CEC requirements.

Thomas & Betts

www.tnb.com

Corporate Office
Tel: 901.252.8000
800.816.7809
Fax: 901.252.1354

Customer Service
Tel: 800.816.7809
Fax: 800.816.7810

Technical Services
Tel: 888.862.3289
Fax: 901.252.1321

Tool Services
Tel: 800.284.8665



redodot and Carlton® Weatherproof Boxes, Covers and Conduit Bodies

Single-Gang — Vertical Mount

- For use in wet/damp locations
- Non-metallic. Won't rust or fade
- Easy to install
- Mounts to a box or device
- Paintable
- Made in the U.S.A.

15-Amp Receptacle

- For 15-Amp or other single receptacles under 1.375" diameter



CAT. NO.	COLOR	STD. CTN.	STD. WT. (LBS.)
E98SRCN-CAR	Gray	10	2.1

50-Amp Receptacle

- For 50-Amp or other single receptacles under 2.250" diameter



CAT. NO.	COLOR	STD. CTN.	STD. WT. (LBS.)
E98G5FN-CAR	Gray	10	2

20-Amp Receptacle

- For 20-Amp or other single receptacles under 1.625" diameter



CAT. NO.	COLOR	STD. CTN.	STD. WT. (LBS.)
E98G20N	Gray	20	4.1

Duplex Receptacle



CAT. NO.	COLOR	STD. CTN.	STD. WT. (LBS.)
E98G5FN-CAR	Gray	10	2

30-Amp Receptacle

- For 30-Amp or other single receptacles under 1.750" diameter



CAT. NO.	COLOR	STD. CTN.	STD. WT. (LBS.)
E98G30N-CAR	Gray	10	2.1

GFI Receptacle

- Device opening dimensions: 2.63" H x 1.31" W



CAT. NO.	COLOR	STD. CTN.	STD. WT. (LBS.)
E98GFCN-CAR	Gray	10	2

Circuit Breaker

- For circuit breaker applications up to 4 single poles. Device opening dimensions: 2.845" H x 2.265" W



CAT. NO.	COLOR	STD. CTN.	STD. WT. (LBS.)
E98GCBN	Gray	20	3.9

Toggle Switch



CAT. NO.	COLOR	STD. CTN.	STD. WT. (LBS.)
E98TSCN-CAR	Gray	5	1.1

Single Switch



CAT. NO.	COLOR	STD. CTN.	STD. WT. (LBS.)
E98SSCN-CAR	Gray	10	2.1

Blank

- Fits Carlton® single-gang FS boxes. Supplied with stainless steel mounting screws and gasket



CAT. NO.	COLOR	STD. CTN.	STD. WT. (LBS.)
E980CN-CAR	Gray	12	1.60
E980CM-CAR	White	12	1.60

Single-Gang — Horizontal Mount

Duplex Receptacle



CAT. NO.	COLOR	STD. CTN.	STD. WT. (LBS.)
E98DHGN-CAR	Gray	10	3.9

GFI Horizontal



CAT. NO.	COLOR	STD. CTN.	STD. WT. (LBS.)
E98GHGN-CAR	Gray	10	1.9

Device opening dimensions:
2.63" W x 1.31" H.

Double-Gang

- For use in wet/damp locations
- Mounts to a box or device
- Non-Metallic. Won't rust or fade
- Paintable
- Easy to install
- Made in the U.S.A.

Double Duplex



CAT. NO.	COLOR	STD. CTN.	STD. WT. (LBS.)
E9G2DDN-CAR	Gray	10	2.3

Combination Toggle/GFI



CAT. NO.	COLOR	STD. CTN.	STD. WT. (LBS.)
E9G2GTN-CAR	Gray	5	1.3

Double Toggle



CAT. NO.	COLOR	STD. CTN.	STD. WT. (LBS.)
E9G2SSN	Gray	6	3.2

Combination Toggle/Duplex Receptacle



CAT. NO.	COLOR	STD. CTN.	STD. WT. (LBS.)
E9G2DSN-CAR	Gray	10	1.3

Two-Gang

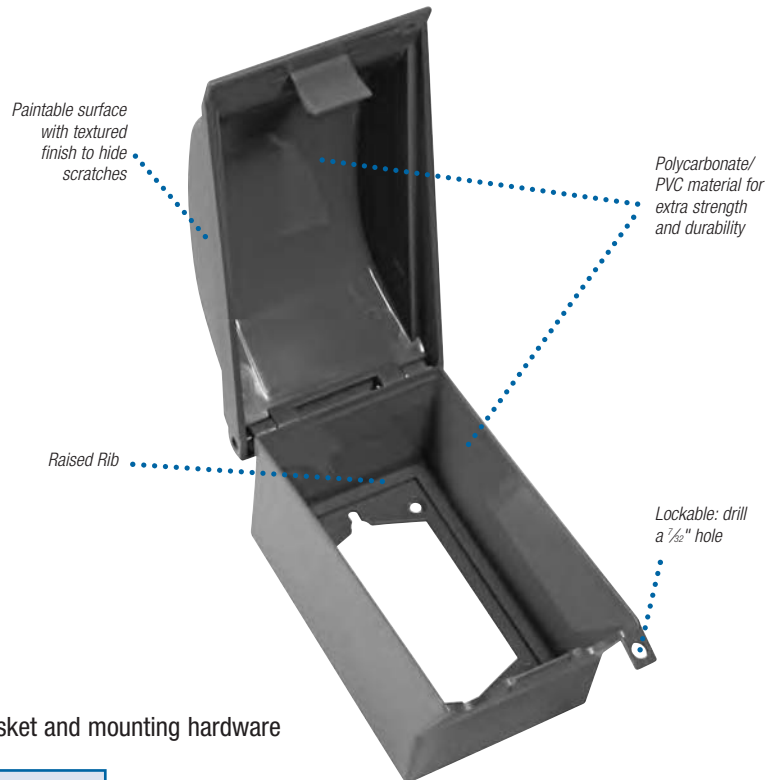
- Fits Carlton® two-gang FS boxes and other non-metallic and metallic FS boxes. Supplied with stainless steel mounting screws and gasket



CAT. NO.	COLOR	STD. CTN.	STD. WT. (LBS.)
E9802CN-CAR	Gray	10	2.17

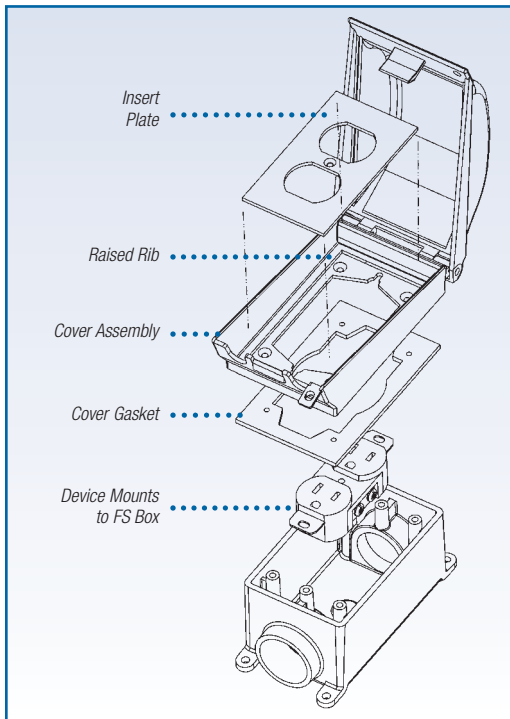
Carlton® Non-Metallic In-Use Weatherproof Covers

- NEMA Type 3R Rated
- Meets NEC® Article 406.8(B) and CEC Subrule 26-702
- UV resistant — suitable for outdoor use
- Fits all standard receptacles
- Non-Metallic/Noncorrosive
- UL Listed
- CSA Certified



Installation

- Includes base, cover, device plates, gasket and mounting hardware



Box Mounting:

1. TURN OFF POWER.
2. Mount electrical device to outlet box.
3. Place gasket on top of outlet box.
4. Fasten cover to outlet box.
5. Secure insert plate to cover.
6. Lockable feature — drill a $\frac{7}{32}$ " hole in cover — starting point provided.

NOTE: These covers must be mounted in accordance with all local and NEC®/CEC requirements.

Carlon®

Weatherproof Covers

Single-Gang

- For use in wet/damp locations
- Weatherproof while in use
- Mounts to a box or device
- Non-Metallic. Won't rust or fade
- Paintable
- Easy to install
- Made in the U.S.A.



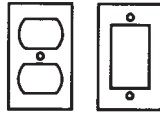
LR31146 E42728

Standard Covers — 2.64" Depth



Vertical Mount

Inserts:



CAT. NO.	COLOR	STD. CTN.	STD. WT. (LBS.)
E9UVGRN2	Gray	12	7.2
E9UVWRN2	White	12	7.2
E9UVCRN2	Clear	12	7.2

Standard Covers — 2.53" Depth



Horizontal Mount

Inserts:



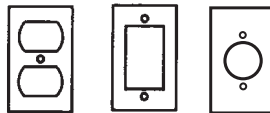
CAT. NO.	COLOR	STD. CTN.	STD. WT. (LBS.)
E9UHGRN2	Gray	4	2.3
E9UHWRN2	White	4	2.3
E9UHCRN2	Clear	4	2.3

Deep Covers — 4.14" Depth



Vertical Mount

Inserts:



CAT. NO.	COLOR	STD. CTN.	STD. WT. (LBS.)
E9UDVGRN2	Gray	8	5.9
E9UDVWRN2	White	8	5.9
E9UDVCRN2	Clear	8	5.9

Double-Gang

- For use in wet/damp locations
- Weatherproof while in use
- Mounts to a box or device
- Non-Metallic. Won't rust or fade
- Paintable
- Easy to install
- Made in the U.S.A.

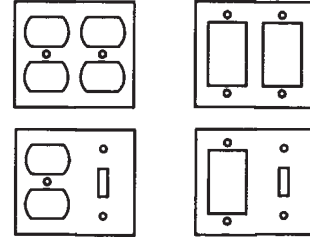


LR31146 E42728

Standard Covers — 2.64" Depth



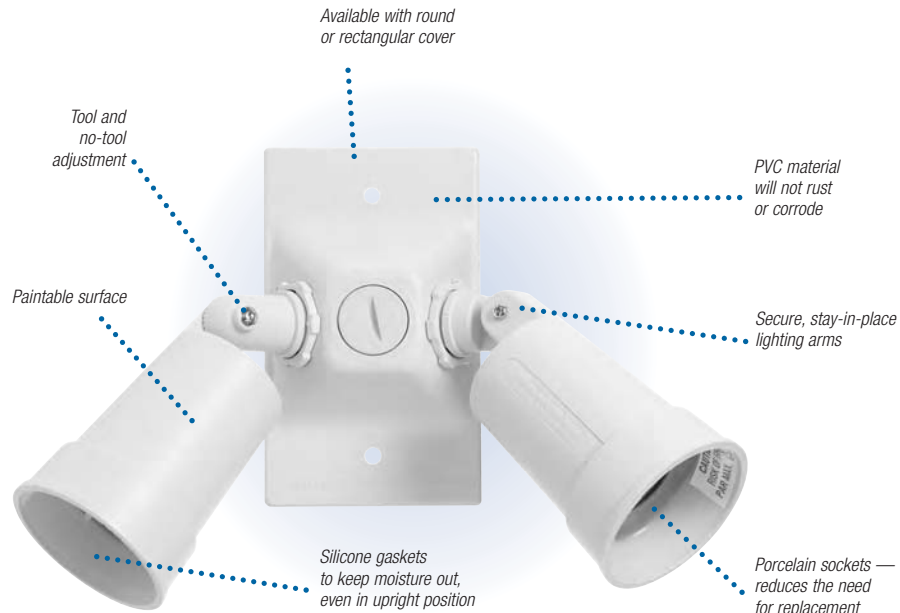
Inserts:



CAT. NO.	COLOR	STD. CTN.	STD. WT. (LBS.)
E9U2GRN2	Gray	6	5.7
E9U2WRN2	White	6	5.7
E9U2CRN2	Clear	6	5.7

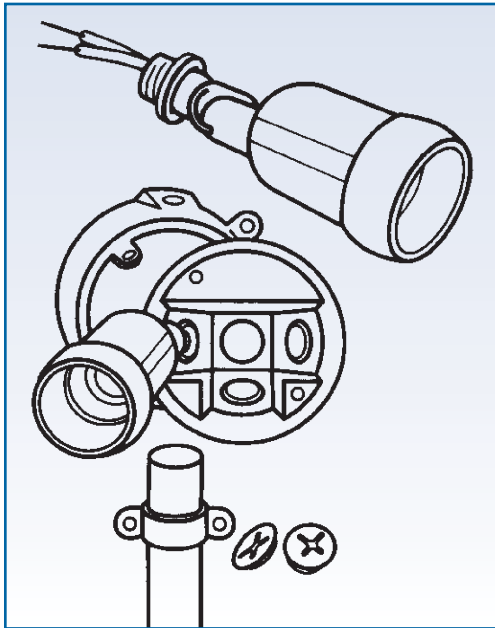
Carlton® Non-Metallic Weatherproof Lampholders

- UV resistant — suitable for outdoor use
- Accepts 150-watt max or 300-watt (incandescent only)
- Non-Metallic/ Noncorrosive
- UL and cUL Listed
- Approved for upward use in wet locations



Installation

- Includes gasket, four lug nuts and two mounting screws



Installation Instructions:

1. Turn off electricity before starting.
2. Bring power leads into the outlet box and connect using proper wire nuts or insulation materials.
3. Use drill or nail to knock out holes on lampholder cover that align with outlet box. When completed, be sure visual perimeter of weatherproof gasket is even to ensure proper seal.
4. Floodlight lampholders can be positioned using two different adjustments. Loosen locknut to turn lampholder assembly to desired position. Tighten locknut. Then depress pushbutton to adjust lampholder to final position.

Lampholders

- For use in wet/damp locations
- Ideal for residential or commercial applications — security/landscape
- Mounts to a device box
- Non-Metallic. Won't rust or fade
- Paintable
- Easy to install
- Stay-in-place lighting arms



E70380
E183934
Except where noted by ▶

Lampholder with Round Cover



CAT. NO.	COLOR	STD. CTN.	STD. WT. (LBS.)
P8010W-CAR	White	6	3.9

Lampholder with Rectangular Cover



CAT. NO.	COLOR	STD. CTN.	STD. WT. (LBS.)
P8005W-CAR	White	6	3.8

No-Tool Lampholder with Round Cover



CAT. NO.	COLOR	STD. CTN.	STD. WT. (LBS.)
P8060W-CAR	White	6	5.8

Covers

Rectangular



CAT. NO.	COLOR	STD. CTN.	STD. WT. (LBS.)
P7901W-CAR	White	12	.9

Round



CAT. NO.	COLOR	STD. CTN.	STD. WT. (LBS.)
P7801W-CAR	White	16	1.6

Accessories

No-Tool Lampholder with Gasket



CAT. NO.	COLOR	STD. CTN.	STD. WT. (LBS.)
P8001W-CAR	White	24	5.5

Closure Plugs



CAT. NO.	COLOR	STD. CTN.	STD. WT. (LBS.)
▶ P7701W-CAR	White	30	1.3

Carlton® Non-Metallic Weatherproof Fixtures

- Designed for indoor or outdoor use
- One-piece design with 20.25 cu. in. capacity
- Approved for dwelling
- Acceptable for barn applications
- Junction box approved
- Rated for 60°C field wiring with 150W bulb and tempered glass globe
- Approved for through branch wiring — accommodates eight #12 AWG through branch circuit conductors
- UL and cUL Listed
- UL Marine Listed



Installation

- Includes gasket, four lug nuts and two mounting screws



Installation Instructions

1. Disassemble fixture from base.
2. Make wire terminations according to the NEC® or local electrical codes.
3. Fold fixture wire into fixture base.
4. Twist on socket assembly.
5. Fixture assembly is ready for lamp and globe installation.

NOTE:

- Plastic globes mounted in a **VERTICAL POSITION** (globe pointing down) can only use a maximum lamp size of 60 watts
- Glass globes mounted in a **VERTICAL POSITION** can only use a maximum lamp size of 100 watts
- **HORIZONTAL** mountings have a maximum lamp size of 60 watts
- It is NOT RECOMMENDED to mount plastic globes horizontally for incandescent applications
- Carlton® Weatherproof Fixture Bases and Globes are SOLD SEPARATELY

Weatherproof Fixture

- Suitable for use in wet/damp locations
- Designed for indoor or outdoor use
- 20.25 cu. in. capacity
- Easy to install
- Non-Metallic. Won't rust or fade
- One-piece design
- Approved for through branch wiring



E183934



E42728

Where noted by ▶

Base



CAT. NO.	HUB SIZE (IN.)	STD. CTN.	STD. WT. (LBS.)
E962E	¾	6	4.5

Weatherproof Lighting Globes

Clear Glass



CAT. NO.	STD. CTN.	STD. WT. (LBS.)
E960GLB (Clear Glass)	6	6.6

Rippled Polycarbonate



CAT. NO.	STD. CTN.	STD. WT. (LBS.)
E960GFL	6	4.9

Clear Polycarbonate



CAT. NO.	STD. CTN.	STD. WT. (LBS.)
E960PGL (Clear Plastic)	6	6.6

Weatherproof "T" Boxes

- Carlton® Weatherproof "T" Boxes are for use with non-metallic wiring systems only. Can be used with Carlton® Lampholder

Double-Gang "T" Box

- With three ½" and four ¾" threaded holes. Mounting feet included



CAT. NO.	COLOR	SIZE (IN.)	STD. CTN.	STD. WT. (LBS.)
▶*E382DE	Gray	½	6	3.6
▶*E382DEW	White	½	6	3.6

Single-Gang "T" Box

- With three ½" threaded holes. Mounting feet included



CAT. NO.	COLOR	SIZE (IN.)	STD. CTN.	STD. WT. (LBS.)
▶*E381D-CAR	Gray	½	10	2.3
▶*E381DW-CAR	White	½	6	3.6

Round "T" Box

- With five ½" threaded holes. Mounting feet included



CAT. NO.	COLOR	SIZE (IN.)	STD. CTN.	STD. WT. (LBS.)
▶*E365D-CAR	Gray	½	10	1.2
▶*E365D-CAR	White	½	10	1.2

*E381D-CAR, E365D-CAR and E382DE are for use with non-metallic wiring systems only.

Code Keeper® Weatherproof Covers — Overview

Wet or Dry, All Outlets Can Go Undercover with Code Keeper®.

Code Keeper® While-In-Use Applications

Weatherproof Covers are required by the National Electrical Code® anyplace where water may come in contact with electrical outlets when a plug is in use. Code Keeper® covers are also ideal anywhere to prevent accidental disconnects, reduce tampering and to provide a lockable cover that meets OSHA requirements.

Suggested Applications:



Residential — holiday and landscape lighting, wells and sump pumps, sprinkler systems, plug-in timers, garages, patios.

Commercial — vending machines, car washes, outdoor signs, restaurant kitchens, greenhouses and nurseries, marinas, garages, lumberyards.



Industrial — manufacturing areas, food processing, water treatment plants, security cameras, laboratories, washdown areas, loading docks.

Recreational — pools and spas, parks, playgrounds, zoos, RV connections, athletic fields, ball parks, stadiums, outdoor stages, amphitheaters, golf courses.



National Electrical Code® Article 406.8(B):

(1) 15- and 20-Ampere, 125- and 250-Volt receptacles installed outdoors in a wet location shall have an enclosure that is weatherproof whether or not the attachment plug cap is inserted.



The electrical code is the reason you need a wet-location cover, but the reasons to buy Code Keeper® covers are simple: aluminum construction, easy installation with instructions in English, Spanish and French and a lifetime warranty from a manufacturer that has defined reliability in electrical construction materials for more than half of a century.

Cover the code with protection that lasts a lifetime with Code Keeper® covers.

The National Electrical Code® requires you to cover outdoor or other wet-location receptacles any time they are in use to ensure the safety of anyone who may come in contact with them.

Code Keeper® covers are corrosion-resistant, aluminum wet-location covers that meet the requirements of the National Electrical Code® and are backed by a lifetime warranty.

Red•Dot's Code Keeper® wet-location cover is NEMA 3R Rated, UL Listed and CSA Certified and meets all the requirements of NEC® Article 406.8(B). Code Keeper® covers are rugged, corrosion-resistant metal construction that provide long-lasting durability and are not subject to cracking or breaking. Made with the same Red•Dot® quality that contractors know and trust, Code Keeper® covers offer a lifetime of use and safety.

Code Keeper® While-In-Use Applications.

Applications:

- Protects receptacles, switches and plugs for single-gang and two-gang configurations in dry and wet locations
- Provides a lockable cover that complies with OSHA lockout/tagout requirements
- Prevents accidental equipment disconnects, reduces tampering and deters theft and equipment removal

Features/Benefits:

- Alloy A360 copper-free* aluminum provides increased corrosion resistance
- Die-cast, metal construction provides long-lasting durability
- NEMA 3R Rating ensures protection against falling rain, sleet and external ice formation when used with appropriate device boxes
- Clear UL and CSA markings speed approval by inspectors
- Wide range of cover depths and receptacle configurations accommodate almost every common plug and cord size when combined with included adapter plates
- Combination box or device mounting design provides flexibility in installation
- Trilingual instructions help to make installation easy for everyone

Standard Materials:

- Covers and Plates: Die-cast aluminum alloy A360 with less than .004 copper content (copper-free)
- Gaskets: Closed-cell foam

Standard Finish:

- Powder-coated finish

Compliances:

- NEC® Article 406.8(B)
- UL Listed
- CSA Certified



Sample Specifications:

- Code Keeper® covers shall comply with NEC® Article 406.8(B) and be die-cast copper-free* aluminum alloy A360. Covers shall be finished powder-coated paint.

Red•Dot® Catalog No. _____

**Less than .004 copper content.*

All 15- and 20-Ampere, 125- and 250-Volt receptacles installed outdoors in a wet location must have an enclosure that is weatherproof whether or not the attachment plug is inserted.

Code-Keeper® is required by the National Electrical Code® Article 406.8(B) for unattended in-use plugs in wet locations.

- Die-Cast A360 aluminum alloy (less than .004 copper content)
- NEMA 3R Rating
- Clear UL and CSA markings
- Wide range of cover depths and receptacle configurations
- Sturdy lockable cover tab complies with OSHA lockout/tagout requirements
- Combination box- or device-mount design (for most styles)
- Powder-coated finish



Single-Gang
Medium Horizontal



Single-Gang
Small Vertical



Single-Gang
Medium Vertical



Single-Gang
Large Vertical



Two-Gang

Code Keeper® Single-Gang Covers

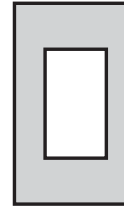
CKSUV — Small Vertical Cover, 2¼" Internal Depth



Use for any of these configurations:



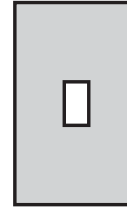
Duplex



GFCI



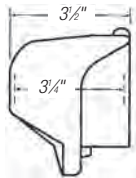
Single Receptacle
up to 1½"



Switch

NOTE: Dry-tite® covers packed with gasket and screws.

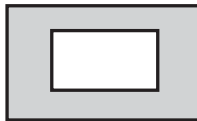
CKMU — Medium Horizontal Cover, 2¼" Internal Depth



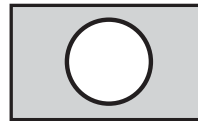
Use for any of these configurations:



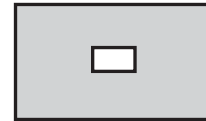
Duplex



GFCI



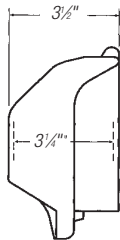
Single Receptacle
up to 1½"



Switch

NOTE: Dry-tite® covers packed with gasket and screws.

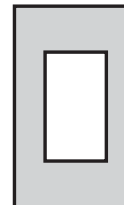
CKMUV — Medium Vertical Cover, 3¼" Internal Depth



Use for any of these configurations:



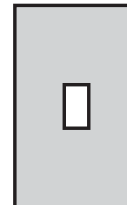
Duplex



GFCI



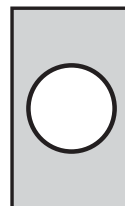
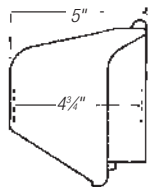
Single Receptacle
up to 1½"



Switch

NOTE: Dry-tite® covers packed with gasket and screws.

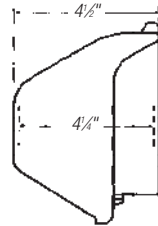
CKLSVU — Large Vertical Cover, 4¾" Internal Depth



Single Receptacle
up to 2.125"

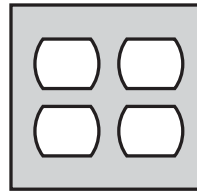
NOTE: Dry-tite® covers packed with gasket and screws.

Code Keeper® Two-Gang Covers
2CKU — Regular Cover, 4¼" Internal Depth

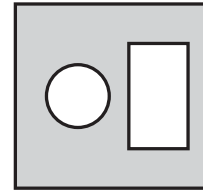


NOTE: Dry-tite® covers packed with gasket and screws.
 * Can be used to cover one receptacle with an oversized wall opening.

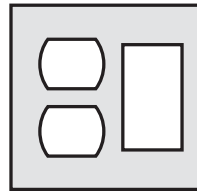
Use for any of these configurations:



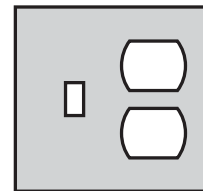
Two-duplex receptacle cover



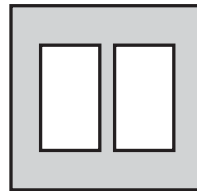
Single up to 1½" and GFCI receptacle cover



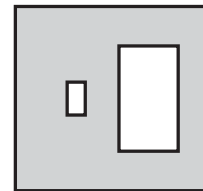
Duplex and GFCI receptacle cover



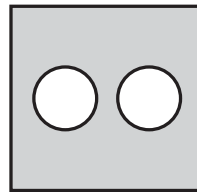
Toggle and duplex receptacle cover



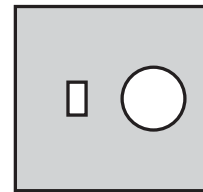
Two-GFCI receptacle cover



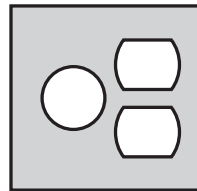
Toggle and GFCI receptacle cover



Two-single up to 1½" receptacle cover



Toggle and single up to 1½" receptacle cover



Single up to 1½" and duplex receptacle cover

redodot and Carlon® Weatherproof Boxes, Covers and Conduit Bodies

Universal Non-Metallic While-In-Use Covers

T&B's Universal While-In-Use covers keep out moisture and take the hassle and cost out of installation. Single- or two-gang kits accommodate up to eight configurations each, and every cover is designed with a method to secure using an external locking device.* Perfect for all outdoor outlets including landscape lighting, lawn equipment, pool/hot tub pumps and holiday lighting.

- Saves you time — no inserts to slow you down, no labor-intensive cutouts
- Horizontal or vertical orientation
- Meets NEC® 406.8(B) code requirements
- Lockable cover design for added security using external locking device
- High-impact UV-resistant polycarbonate base construction
- Weatherproof, thermoplastic cover with transparent finish
- Accommodates GFCI, single and duplex receptacles, toggle switches and single receptacles up to 1.59" diameter
- Mounts to a box or the device. All installation screws included
- Great for retrofit applications. Device holes are keyed, so just back out the existing device screws and slip the cover over previously installed screws



Universal Non-Metallic While-In-Use Covers*



CAT. NO.	DESCRIPTION	STD. CTN.
CKNM	Single-Gang Duplex/GFCI/Switch/Single 1.59 — Horizontal or Vertical — Pad Lockable	6
2CKNM	Two-Gang Duplex/GFCI/Switch/Single 1.59 — Horizontal or Vertical — Pad Lockable	4
CKNMD	Deep Single-Gang Duplex/GFCI/Switch/Single 1.59 — Horizontal or Vertical — Pad Lockable, 4¾" Deep	4
2CKNMD	Deep Two-Gang Duplex/GFCI/Switch/Single 1.59 — Horizontal or Vertical — Pad Lockable, 4¾" Deep	4

UL Listed.

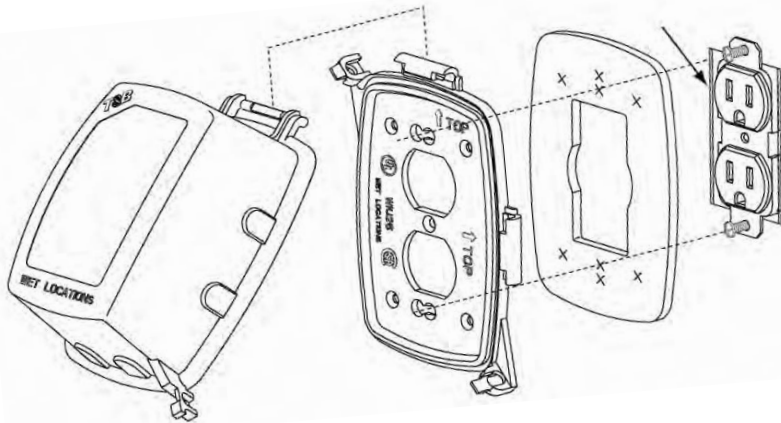
CSA Certified.

Cover ships as a vertical GFCI, the industry's most commonly used version.

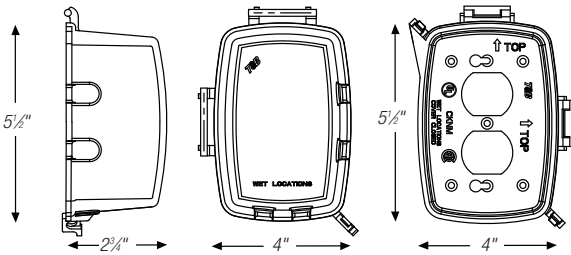
* External locking device (such as a padlock) not supplied.

Fast and Easy Installation.
Universal While-In-Use Covers (continued)

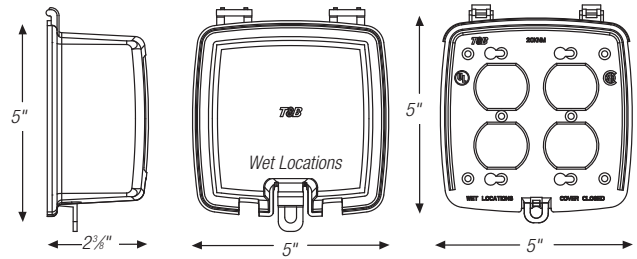
Choose your base plate and secure to the device.
 Then, snap on the lid and you're done!



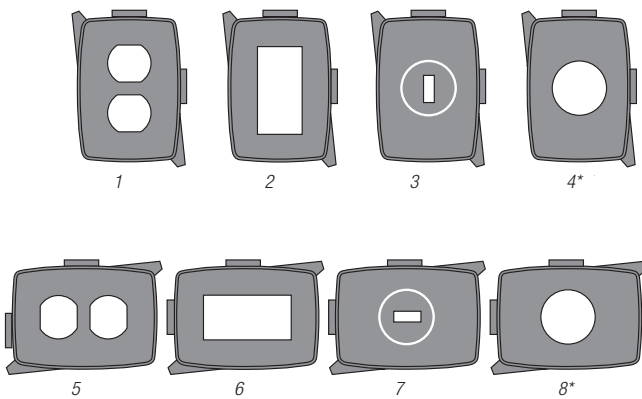
Single-Gang (CKNM) — Dimensions



Two-Gang (2CKNM) — Dimensions

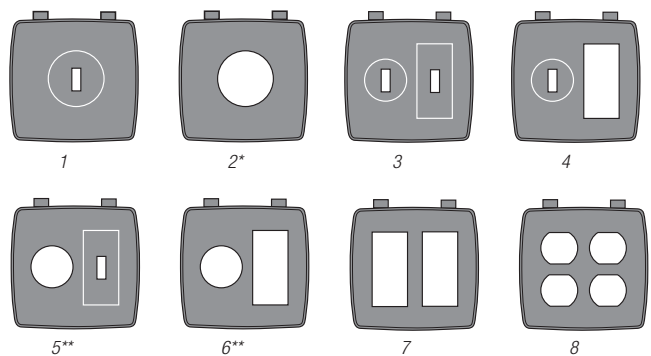


Single-Gang Base Options



* 1.59" diameter fits up to 30-Amp twist-lock receptacle.

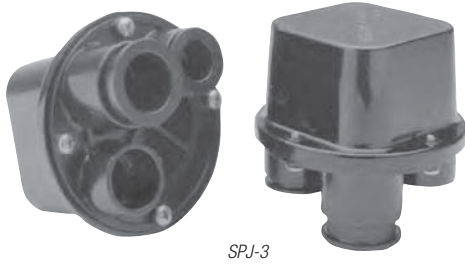
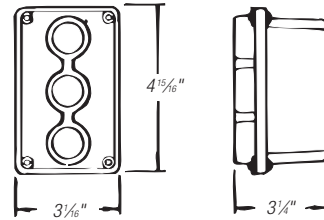
Two-Gang Base Options



* 2.125" Diameter
 ** 1.59" Diameter

Used for Making Wiring Connections to Underwater Pool Lighting, Line or Low-Voltage. Swimming Pool Junction Boxes

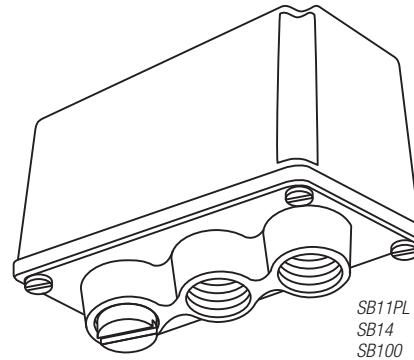
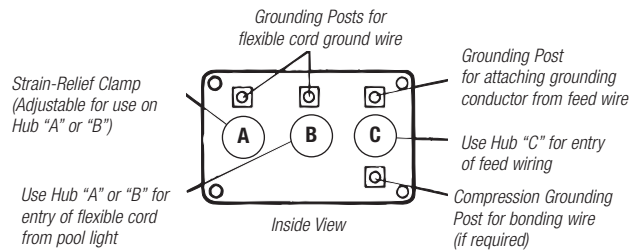
- Black LEXAN® cover, die-cast solid brass base
- Supplied with brass closure plugs, four ground screws, sealing gasket and mounting hardware
- 3 1/16" x 4 3/16" x 3/4" deep



SPJ-3



SPJ-5



SPJ Series

CAT. NO.	NO. OF PLUGS	HUB SIZE	STD. CTN.
SPJ-3	3	(2) 1/2" and (1) 1"	24
SPJ-5	5	(1) 1/2", (2) 3/4" and (2) 1"	24
SPJ-MB	—	Mounting Brackets	24
SPJ-SR	—	Rod	24

SB Series

CAT. NO.	CUBIC IN.	NO. OF PLUGS	DESCRIPTION CONDUIT HUB SIZE (IN.)			PACKAGING	
			A	B	C	BOX	STD. CTN.
SB11PL	22.0	1	1/2	1/2	1/2	1	10
SB14	22.0	1	3/4	3/4	3/4	1	10
SB100	22.0	1	3/4	1	3/4	1	10

UL Listed E-63648.

Weatherproof.

LEXAN® is a registered trademark of SABIC Innovative Plastics Company.

redodot® and Carlon® Weatherproof Boxes, Covers and Conduit Bodies

Universal Boxes and Covers

Applications:

- Dry-tite™ boxes and covers protect wiring devices, switches, electronic components and terminal blocks in dry, damp and wet locations
- Accessible wiring chamber provides a convenient location to maintain or change a system, pull conductors and make splices
- Junction box for branch conduits

Features/Benefits:

- Alloy A380 aluminum, certified zinc alloy and stainless steel springs provide increased corrosion resistance
- Die-cast construction and industrial design combine to produce a rugged protective enclosure for devices on many applications
- Clean cover edges provide good gasket sealing
- Precision-cast and machined surfaces permit safer wire pulling
- Clear UL and cubic content markings speed approval by inspectors
- Convenient mounting lugs for a variety of mounting methods
- Securely fastened mounting plates reduce costly call backs

Standard Materials:

- Boxes: Die-cast aluminum alloy A380
- Cover Plates: Stamped aluminum alloy or certified die-cast zinc alloy ZAMAK 3
- Cover Lids: Certified die-cast zinc alloy ZAMAK 3



Standard Finish:

- Powder-coated finish

Compliances:

- UL Listed. UL File No. E-2969
- Boxes: CSA Certified with factory installed ground screw**
- Covers: CSA Certified
- Covers suitable for use in wet locations with covers closed
- CCB and CCT series covers suitable for use in wet locations
- Federal Spec. W-C-586
- NEMA 3R Rated

Sample Specifications:

- Universal device boxes and covers shall be of aluminum alloy A380 and certified zinc alloy. All conduit stops shall be free of rough edges. Covers shall have stainless steel springs. Covers shall be finished with powder-coated paint. Universal device boxes and covers shall be Red•Dot® Catalog No. _____

** Consult factory for lead time and minimum quantity.



2CCTS



2IH5-1



CCD

Accessible wiring chamber provides a convenient location to pull conductors and make splices in dry, damp or wet locations.

- Maximum cubic capacity
- Securely fastened mounting plates
- Corrosion-resistant materials
- Powder-coated finish
- Ground screw included
- Precision-machined threads
- Clear UL and cubic volume marking



IH3-1-LM

Universal Boxes and Covers

Single-Gang

CAT. NO.	HUB SIZE (IN.)	COLOR	OUTLETS
----------	----------------	-------	---------

Three Outlets

IH3-1	½	Silver	Top 1
IH3-2	¾	Silver	Bottom 1
IH3-1-LM•	½	Silver	Back 1
IH3-2-LM•	¾	Silver	TOTAL 3

D-PAK®

DIH3-1-LM•	½	Silver	
DIH3-1-LM-BR•	½	Bronze	
DIH3-1-LM-WH•	½	White	
DIH3-2-LM•	¾	Silver	
DIH3-3-LM	1	Silver	

Four Outlets

IH4-1	½	Silver	Top 2
IH4-2	¾	Silver	Bottom 1
IH4-1-LM•	½	Silver	Back 1
IH4-2-LM•	¾	Silver	TOTAL 4

D-PAK®

DIH4-1-LM•	½	Silver	
DIH4-1-LM-BR•	½	Bronze	
DIH4-1-LM-WH•	½	White	
DIH4-2-LM•	¾	Silver	

Five Outlets

IH5-1	½	Silver	Top 2
IH5-2	¾	Silver	Bottom 2
IH5-1-LM•	½	Silver	Back 1
IH5-2-LM•	¾	Silver	TOTAL 5

D-PAK®

DIH5-1-LM•	½	Silver	
DIH5-2-LM•	¾	Silver	

Five Outlets (2-Side)

IH5S2-1•	½	Silver	Top 1
IH5S2-2•	¾	Silver	Bottom 1
			Side 1
			Side 1
			Back 1
			TOTAL 5

Six Outlets (3-Side)

IH6S2-1•	½	Silver	Top 1
IH6S2-2•	¾	Silver	Bottom 1
			Side 2
			Side 1
			Back 1
			TOTAL 6

NOTE: Raintight when used with appropriate Red•Dot® covers. Boxes supplied with 2 closure plugs and ground screw.

- With mounting lugs

Two-Gang

CAT. NO.	HUB SIZE (IN.)	OUTLETS
----------	----------------	---------

Three Outlets

2IH3-1•	½	Top 1
2IH3-2•	¾	Bottom 1
		Back 1
		TOTAL 3

D-PAK®

D2IH3-1	½	
---------	---	--

Four Outlets

2IH4-1•	½	Top 2
2IH4-2•	¾	Bottom 1
		Back 1
		TOTAL 4

Five Outlets

2IH5-1•	½	Top 2
2IH5-2•	¾	Bottom 2
		Back 1
		TOTAL 5

Five Outlets (2-Side)

2IH5S2-1•	½	Top 1
2IH5S2-2•	¾	Bottom 1
		Side 1
		Side 1
		Back 1
		TOTAL 5

Seven Outlets

2IH7-1•	½	Top 3
2IH7-2•	¾	Bottom 3
		Back 1
		TOTAL 7

Seven Outlets (2-Side)

2IH7S2-1•	½	Top 2
2IH7S2-2•	¾	Bottom 2
		Side 1
		Side 1
		Back 1
		TOTAL 7

NOTE: Raintight when used with appropriate Red•Dot® covers. Boxes supplied with 2 closure plugs and ground screw.

- With mounting lugs

Universal Boxes and Covers

Deep Boxes — Single-Gang

CAT. NO.	HUB SIZE (IN.)	OUTLETS
Three Outlets		
IHD3-1•	½	Top 1
IHD3-2•	¾	Bottom 1
IHD3-3•	1	Back 1
		TOTAL 3



CAT. NO.	HUB SIZE (IN.)	OUTLETS
Four Outlets		
IHD4-1•	½	Top 2
IHD4-2•	¾	Bottom 1
		Back 1
		TOTAL 4



CAT. NO.	HUB SIZE (IN.)	OUTLETS
Two-Gang Five Outlets		
2IHD5-1•	½	Top 2
2IHD5-2•	¾	Bottom 2
2IHD5-3•	1	Back 1
		TOTAL 5

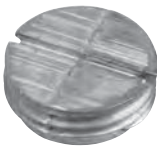


CAT. NO.	HUB SIZE (IN.)	OUTLETS
Three-Gang Seven Outlets		
3IHD7-2•	¾	Top 3
3IHD7-3•	1	Bottom 3
		Back 1
		TOTAL 7



Close-Up Plugs — Zinc

CAT. NO.	COLOR	HUB SIZE (IN.)
PLG-1-RD	Silver	½
PLG-2-RD	Silver	¾
PLG-3-RD	Silver	1



D-PAK®

CAT. NO.	COLOR	HUB SIZE (IN.)
DPLG-1	Silver	½
DPLG-1-BR	Bronze	½
DPLG-1-WH	White	½
DPLG-2	Silver	¾

Extensions — Single-Gang

CAT. NO.	HUB SIZE (IN.)	OUTLETS	DESCRIPTION
No Outlets — 1" Deep			
IHE	N/A	0	Extension Ring for One-Gang Box with Gasket and Screws



CAT. NO.	HUB SIZE (IN.)	OUTLETS	DESCRIPTION
Four Outlets — 1½" Deep			
IHE4-1	½	Top 2	4-Hole Extension Ring for One-Gang Box with 4 Plugs, Gasket and Screws
		Bottom 2	
		TOTAL 4	



CAT. NO.	HUB SIZE (IN.)	OUTLETS	DESCRIPTION
Two Outlets, Flanged — 1½" Deep Add-On			
IHEF2-1	½	Top 1	2-Hole Flanged Box Extension Adapter with 1 Plug Gasket and Screws
IHEF2-2	¾	Bottom 1	
		TOTAL 2	



CAT. NO.	HUB SIZE (IN.)	OUTLETS	DESCRIPTION
Six Outlets, Flanged — 1½" Deep Add-On			
IHEF6S2-1	½	Top 2	6-Hole Flanged Box Extension Adapter with 4 Plugs, Gasket and Screws
IHEF6S2-2	¾	Bottom 2	
LTX100-5	1	Side 1	
		Side 1	
		TOTAL 6	



Two-Gang

CAT. NO.	HUB SIZE (IN.)	OUTLETS	DESCRIPTION
Deep			
2IHE	N/A	0	Extension Ring for Two-Gang Boxes with Gasket and Screws



Round

CAT. NO.	HUB SIZE (IN.)	OUTLETS	DESCRIPTION
Four Outlets — 1½" Deep			
SE-47	½	4	Round Extension with Gasket and Screws
SE-48	¾	4	



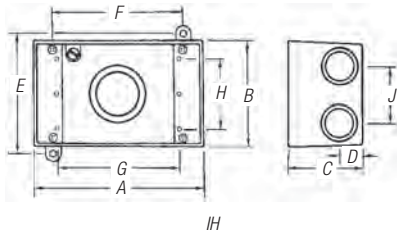
Mounting Lugs

CAT. NO.	DESCRIPTION
LM	2 Mounting Lugs with Self-Tapping Screws, for LM Boxes Only

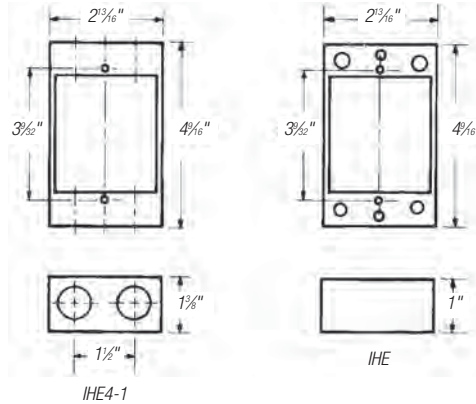


Universal Boxes and Covers

Single-Gang Boxes

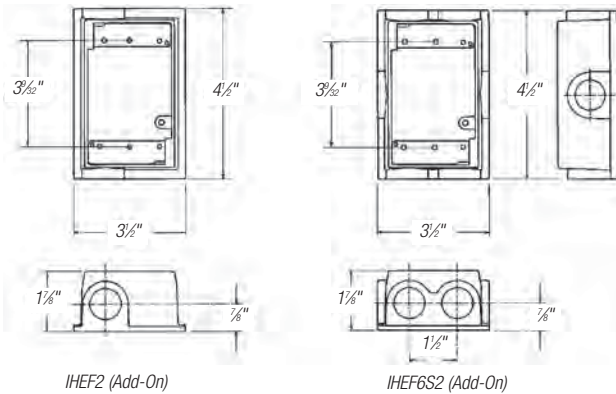


Single-Gang Extension Rings



Two-Hole Flanged Box Extension Adapter

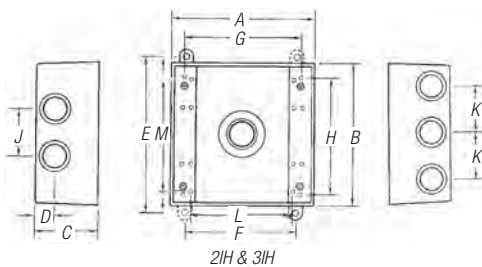
Six-Hole Flanged Box Extension Adapter



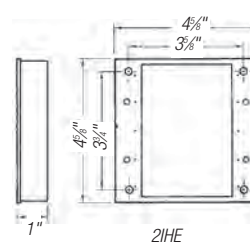
Single-Gang Boxes

CAT. NO.	HUB SIZE	DIMENSIONS (IN.)									
		A	B	C	D	E	F	G	H	J	CI
IH-1	1/2	4 1/16	2 13/16	2	5/8	—	—	3/4	1 1/8	1 1/2	17.3
IH-2	3/4	4 1/16	2 13/16	2	5/8	—	—	3/4	1 1/8	1 1/2	17.0
IH-LM-1	1/2	4 1/16	2 13/16	2	5/8	3 13/16	3 1/2	3/4	1 1/8	1 1/2	17.3
IH-LM-2	3/4	4 1/16	2 13/16	2	5/8	3 13/16	3 1/2	3/4	1 1/8	1 1/2	17.0
IH-S-1	1/2	4 1/16	2 13/16	2	5/8	3 13/16	3 1/2	3/4	1 1/8	1 1/2	17.0
IH-S-2	3/4	4 1/16	2 13/16	2	5/8	3 13/16	3 1/2	3/4	1 1/8	1 1/2	17.0
IHD-1	1/2	4 1/16	2 13/16	2 5/8	5/8	3 13/16	3 1/2	3/4	1 1/8	1 1/2	24.8
IHD-2	3/4	4 1/16	2 13/16	2 5/8	5/8	3 13/16	3 1/2	3/4	1 1/8	1 1/2	24.8
IHD-3	1	4 1/16	2 13/16	2 5/8	3/4	3 13/16	3 1/2	3/4	1 1/8	1 1/2	23.5

Two- and Three-Gang Boxes



Two-Gang Extension Ring



Two- and Three-Gang Boxes

CAT. NO.	DIMENSIONS (IN.)												
	A	B	C	D	E	F	G	H	J	K	L	M	CI
2IH3	4 1/16	4 3/8	2 1/16	5/8	5	3 1/2	3 13/32	3 3/4	—	—	3/4	3 3/16	31.8
2IH4	4 1/16	4 3/8	2 1/16	5/8	5	3 1/2	3 13/32	3 3/4	1 1/2	—	3/4	3 3/16	31.8
2IH5	4 1/16	4 3/8	2 1/16	5/8	5	3 1/2	3 13/32	3 3/4	1 1/2	—	3/4	3 3/16	31.8
2IH5S2	4 1/16	4 3/8	2 1/16	5/8	5	3 1/2	3 13/32	3 3/4	—	—	3/4	3 3/16	31.8
2IH7	4 1/16	4 3/8	2 1/16	5/8	5	3 1/2	3 13/32	3 3/4	—	1 1/2	3/4	3 3/16	30.3
2IH7S2	4 1/16	4 3/8	2 1/16	5/8	5	3 1/2	3 13/32	3 3/4	1 1/2	—	3/4	3 3/16	32.0
2IHD5	4 1/16	4 3/8	2 13/32	3/4	5	3 1/2	3 13/32	3 3/4	1 3/16	—	3/4	3 3/16	40.3
3IHD7	4 1/16	6 1/16	2 13/32	1 1/16	6 13/16	3 1/2	3 3/4	5 5/8	—	1 1/16	3/4	3 3/16	54.8

Universal Design Installs in Both Horizontal and Vertical Applications.

Universal Flip-Lid Weatherproof Cover

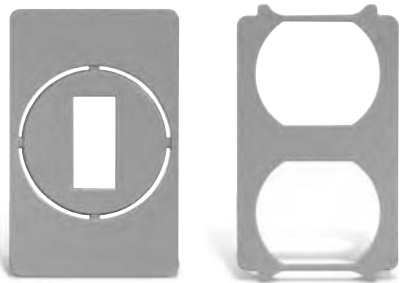
NEW!



New Red•Dot® Universal Flip-Lid Weatherproof Covers save you time and money by reducing the number of items you have to inventory to complete a job. Capable of mounting either vertically or horizontally, the covers provide added versatility with innovative adapter plates to support all of the most common installation configurations — 12 with the single-gang cover and 25 with the 2-gang cover. Choose from silver, bronze or white covers.

Features:

- Included adapter plates offer 12 installation options with single-gang cover and 25 installation options with 2-gang cover
- Keyhole openings on back enable easy installation on an existing outlet
- Durable, die-cast zinc-alloy construction
- Suitable for use in wet locations with cover closed
- Available in silver, bronze and white
- Lockable for security when not in use
- Easy access to outlet with 130° opening
- Preconfigured for GFCI — the industry's most common outdoor application



Includes Two Adapter Plates,
Single Receptacle up to 1 1/8"

Accommodates Multiple Outlet Configurations
(outlets not included).

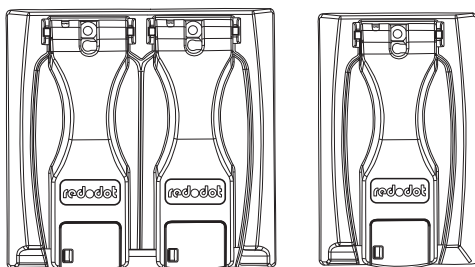


GFCI

Duplex

Single Receptacle

Switch



Universal Flip-Lid Weatherproof Covers



CAT. NO.	DESCRIPTION	STD. CTN.
CCU	Single-Gang Cover (installs vertically or horizontally) — Silver	50
DCCU	D-PAK® — Silver	25
DCCU-BR	D-PAK® — Bronze	25
DCCU-WH	D-PAK® — White	25
2CCU	2-Gang Cover — Silver	10
2CCU-BR	2-Gang Cover — Bronze	10
2CCU-WH	2-Gang Cover — White	10



CCD

CAT. NO.	COLOR	DESCRIPTION
Duplex Receptacle Cover, Horizontal		
CCD	Silver	Device Mount
CCD-L	Silver	Device Mount with Lock Option
CCD-FS	Silver	Box Mount
WR81-CN	Natural	Cover, Stay-Open Lid
WR80-C	Gray	Cover, Self-Closing Lids

D-PAK®		
DCCD-P	Silver	Plastic Device Mount
DCCD	Silver	Device Mount
DCCD-BR	Bronze	Device Mount
DCCD-WH	White	Device Mount
DCCDSO	Silver	Device Mount, Stay Open
DCCDSO-BR	Bronze	Device Mount, Stay Open
DCCDSO-WH	White	Device Mount, Stay Open



CCDV

Duplex Receptacle Cover, Vertical		
CCDV	Silver	Device Mount
CCDV-L	Silver	Device Mount with Lock Option

D-PAK®		
DCCDV	Silver	Device Mount
DCCDV-BR	Bronze	Device Mount
DCCDV-WH	White	Device Mount



CCG

GFCI Receptacle Cover, Horizontal		
CCG	Silver	Device Mount
CCG-FS	Silver	Box Mount

D-PAK®		
DCCG	Silver	Device Mount
DCCG-BR	Bronze	Device Mount
DCCG-WH	White	Device Mount



CCGV

GFCI Receptacle Cover, Vertical		
CCGV	Silver	Device Mount
CCGV-L	Silver	Device Mount with Lock Option

D-PAK®		
DCCGV	Silver	Device Mount
DCCGV-BR	Bronze	Device Mount
DCCGV-WH	White	Device Mount



CCS

CAT. NO.	COLOR	DESCRIPTION
Single Receptacle Cover, Horizontal — 1.485" Diameter Opening		
CCS	Silver	Device Mount



CCSV

Single Receptacle Cover, Vertical — 1.59" Diameter Opening		
CCSV	Silver	Device Mount
CCSV-L	Silver	Device Mount with Lock Option
CCPO	Silver	Power Outlet Cover with 2.156" Diameter Opening, Box Mount
CCPO-L	Silver	Box Mount with Lock Option



CCSV-TL

Single Receptacle Cover, Vertical — 1.59" Opening		
CCSV-TL	Silver	Device Mount Integral Locking Hasp



CCMB

Motor Base Plug and Cover, Horizontal		
CCMB	Silver	Device Mount 15A, 125V Motor Base Plug

Switch Cover Only		
CCT	Silver	Device Mount Switch Cover Only, Packed with Spacers and Screws



CCMB

Switch Cover with Switch		
CCT-1	Silver	Single-Pole 15A, 125V
CCT-1-20	Silver	Single-Pole 20A, 120-277V
SW20-2	Silver	Double-Pole 20A, 120-277V All with Spacers and Screws
CCT-3	Silver	3-Way Switch 15A, 125V

NOTE: Raintight when used with appropriate Red•Dot® boxes.

SW1	Silver	One-Gang Cover with 10A, 125V Single-Pole Switch
SW2	Silver	One-Gang Cover with 10A, 125V Double-Pole Switch
SW20-1/710	Silver	One-Gang Cover with 20A, 102/277V Single-Pole Switch (special oil- and gas-resistant gasket)
SW20-2	Silver	One-Gang Cover with 20A, 102/277V Double-Pole Switch
SW20-2/710	Silver	One-Gang Cover with 20A, 102/277V Double-Pole Switch (special oil- and gas-resistant gasket)

UL Listed E-18407.

CSA Certified LR-18685.

NOTE: All covers packed with gasket and screws.



Single-Gang Gaskets

CAT. NO.	COLOR	DESCRIPTION
CCK	Black	Neoprene
CCSK	Black	Neoprene

Corporate Office
Tel: 901.252.8000
800.816.7809
Fax: 901.252.1354

Customer Service
Tel: 800.816.7809
Fax: 800.816.7810


Technical Services
Tel: 888.862.3289
Fax: 901.252.1321


Tool Services
Tel: 800.284.8665


Thomas & Betts


www.tnb.com


Two-Gang Device Covers


	CAT. NO.	DESCRIPTION
Two-Duplex Receptacle Cover		
	2CCD	Device Mount
	2CCD-L	Device Mount with Lock Option
	WR281-CBR	Cover, Self-Closing Lids
	WR281-C-WH	Cover, Self-Closing Lids


	CAT. NO.	DESCRIPTION
Two-GFCI Receptacle Cover		
	2CCG	Device Mount


	CAT. NO.	DESCRIPTION
One Duplex and One GFCI Receptacle Cover		
	2CCDG	Device Mount


	CAT. NO.	DESCRIPTION
Two-Single Receptacle Cover — 1.485" Diameter Opening		
	2CCS	Device Mount
	2CCS-L	Device Mount with Lock Option

	CAT. NO.	DESCRIPTION
One Single Receptacle and One Duplex Receptacle Cover — 1.485" Diameter Opening		
	2CCSD	Device Mount

	CAT. NO.	DESCRIPTION
Single Receptacle and One GFCI Receptacle Cover — 1.485" Diameter Opening		
	2CCSG	Device Mount
	2CCSG-L	Device Mount with Lock Option
	WR74-81-C	Cover, Self-Closing Lids, Opening Diameter


	CAT. NO.	DESCRIPTION
Double Switch Cover		
	2CCT	Cover Only, Packed with Spacers
	2CCT-1	Cover with Two Single-Pole 15A, 125V Switches and Spacers


	CAT. NO.	DESCRIPTION
Switch and One Duplex Receptacle Cover		
	2CCTD	Cover Only, Packed with Spacers
	2CCTD-1	Cover with One Switch Single-Pole 15A, 125V and One Duplex Receptacle and Spacers


	CAT. NO.	DESCRIPTION
Switch and One GFCI Receptacle Cover		
	2CCTG	Device Mount Cover Only with Spacers

NOTE: Raintight when used with appropriate Red•Dot® boxes.
All covers packed with gasket and screws.

Blank Covers

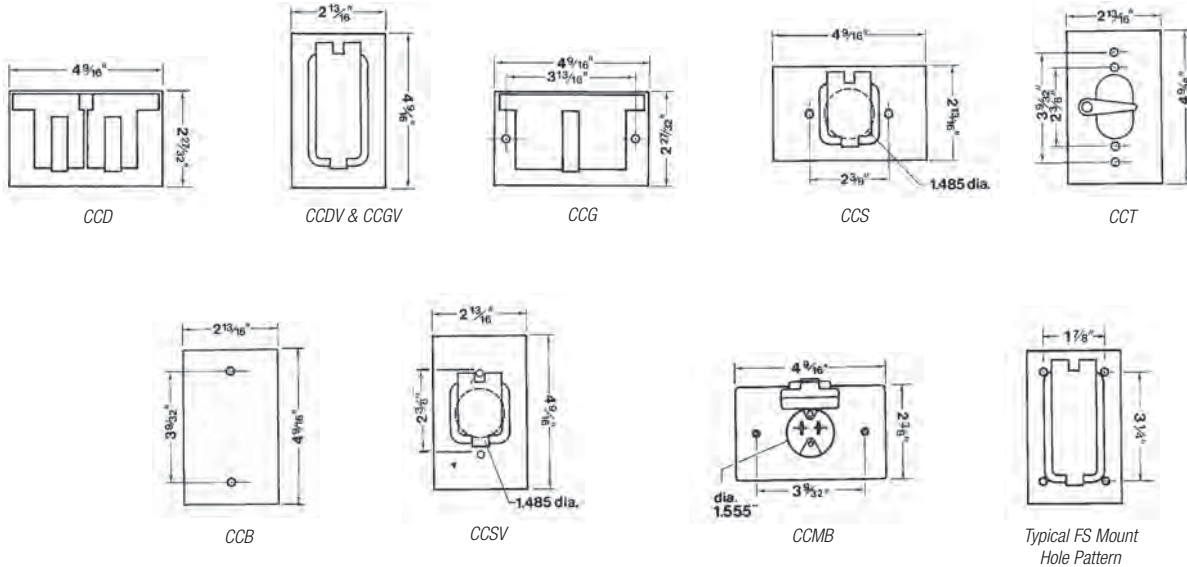
	CAT. NO.	COLOR	DESCRIPTION
Single-Gang			
	CCB	Silver	Device Mount
	CCB-FS	Silver	Box Mount
	D-PAK®		
	DCCB	Silver	Device Mount
	DCCB-BR	Bronze	Device Mount
DCCB-WH	White	Device Mount	

	CAT. NO.	COLOR	DESCRIPTION
Two-Gang			
	2CCB	Silver	Device Mount
	2CCB-FS	Silver	Box Mount
	D-PAK®		
	D2CCB	Silver	Device Mount

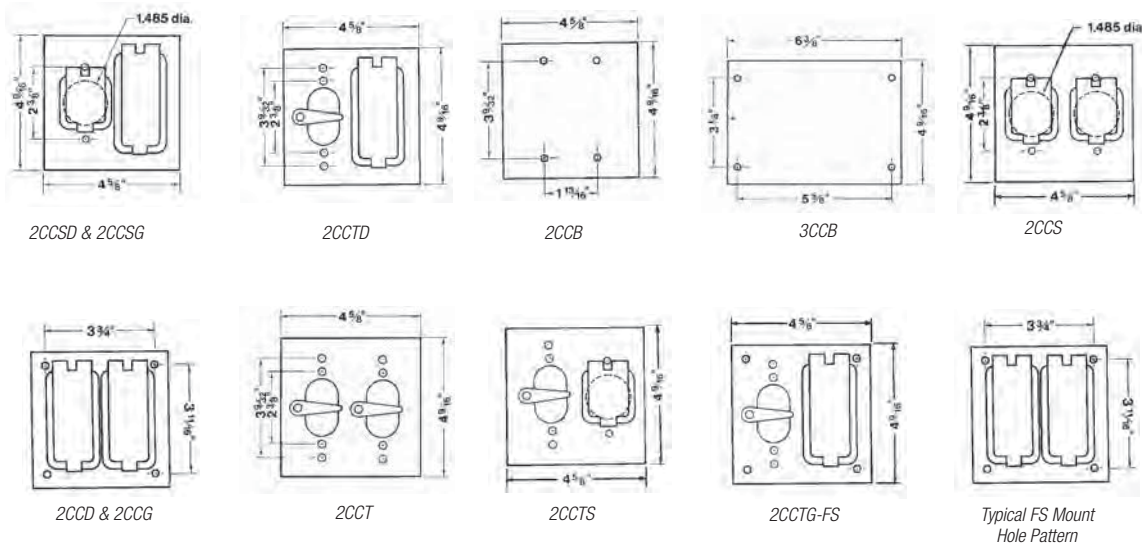
	CAT. NO.	COLOR	DESCRIPTION
Three-Gang			
	3CCB	Silver	Box Mount

NOTE: Raintight when used with appropriate Red•Dot® boxes.
All covers packed with gasket and screws.

Single-Gang Covers



Two- and Three-Gang Covers



redodot® and Carlon® Weatherproof Boxes, Covers and Conduit Bodies

Round Boxes, Extensions and Covers

Applications:

- Junction for branch conduits
- Spacious, accessible wiring chamber provides a convenient location to maintain or change a system, pull conductors and make splices

Features/Benefits:

- Copper-free* aluminum provides increased corrosion resistance
- Precision-cast and machined surfaces permit safer wire pulling
- Clean cover edges provide good gasket sealing
- Precision NPT threads enable trouble-free field installation for rigid, IMC or EMT conduit
- Deep-slotted stainless steel cover screws for faster installation
- Clear UL and cubic content markings speed approval by inspectors

Standard Materials:

- S Boxes: Die-cast aluminum alloy A380
- SS-B Cover: Stamped aluminum
- Gaskets: Composition

Standard Finish:

- Powder-coated finish

Compliances:

- UL Listed
- Federal Spec. W-C-586B

Sample Specifications:

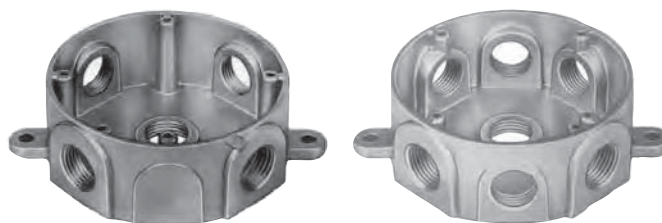
- Outlet boxes and covers shall be die-cast copper-free* aluminum alloy A380 ("S"). Outlet boxes and covers shall be finished with powder-coated paint

Outlet boxes and covers shall be Red•Dot®.

Catalog No. _____

* Less than .004 copper content.

** S Boxes — Die-cast aluminum alloy A380.



Boxes

CAT. NO.	COLOR	HUB SIZE (IN.)	DESCRIPTION
Five Outlets, 4 1/8" Diameter			
S-47	Silver	1/2	5 Outlets, Cast
S-47-CFB	Silver	1/2	Ceiling Fan Box and Cover Rated for 50 lb. Fixture or 35 lb. Fan
S-48	Silver	3/4	Mounting Lugs, 4 Closure Plugs
S-48-CFB	Silver	3/4	Ceiling Fan Box and Cover Rated for 50 lb. Fixture or 35 lb. Fan
D-PAK®			
DS-47	Silver	1/2	
DS-47-BR	Bronze	1/2	
DS-47-WH	White	1/2	
DS-48	Silver	3/4	
DS-48-BR	Bronze	3/4	
DS-48-WH	White	3/4	
DS-47-B		1/2	With Blank Cover
DS-48-B		3/4	With Blank Cover
Seven Outlets, 4 1/8" Diameter			
S-71	Silver	1/2	7 Outlets, Cast Mounting Lugs, 4 Closure Plugs

4 1/2" Round Extensions



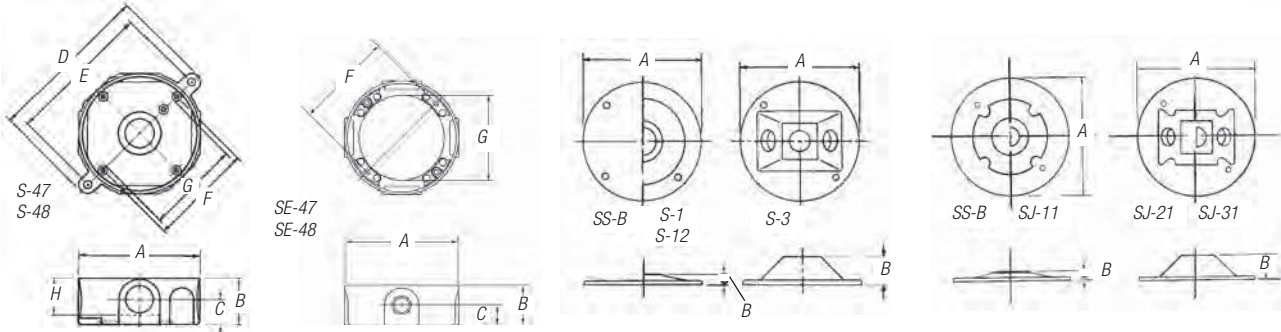
CAT. NO.	COLOR	HUB SIZE (IN.)	DESCRIPTION
Four Outlets, 4 1/8" Diameter, 1 1/8" Deep			
SE-47	Silver	1/2	4 Outlets
SE-48	Silver	3/4	4 Closure Plugs, Gasket and Screws

NOTE: Boxes are Raintight when used with appropriate Red•Dot® boxes.

All covers packed with gasket and screws.

Round Boxes, Extensions and Covers

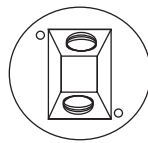
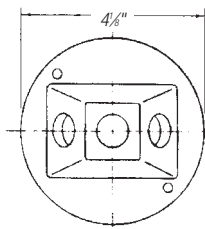
Outlet Boxes, Extensions



CAT. NO.	HUB SIZE	DIMENSIONS (IN.)								
		A	B	C	D	E	F	G	H	CI
S-47	1/2	4 1/8	1 5/8	3/4	5 1/16	4 15/16	3 1/2	3 3/8	1 1/4	17.0
SE-47	1/2	4 1/8	1 5/8	1 1/16	—	—	3 1/2	3 1/16	—	18.3
S-71	1/2	4 1/8	1 5/8	3/4	5 1/16	4 15/16	3 1/2	3 3/8	1 1/4	16.3
S-48	3/4	4 1/8	1 5/8	7/8	5 1/16	4 15/16	3 1/2	3 3/8	1 1/4	17.0
SE-48	3/4	4 1/8	1 5/8	1 1/16	—	—	3 1/2	3 1/16	—	18.3
SS-B	—	4 1/8	3/64	—	—	—	—	—	—	—
S-1	1/2	4 1/8	1 1/3	—	—	—	—	—	—	—
S-12	3/4	4 1/8	3/4	—	—	—	—	—	—	—
S-3	1/2	4 1/8	1 1/16	—	—	—	—	—	—	—
SS-B	—	4 1/2	3/8	—	—	—	—	—	—	—
SJ-11	1/2	4 1/2	3/8	—	—	—	—	—	—	—
SJ-21	1/2	4 1/2	1	—	—	—	—	—	—	—
SJ-31	1/2	4 1/2	1	—	—	—	—	—	—	—

Round Lampholder Covers

- Heavy-duty die-cast construction
- Powder-coat finish in silver gray, bronze or white
- Three-hole cover is supplied with a 1/2" closure plug
- Supplied with sealing gasket and cover screw



Y2

CAT. NO.	NO. OF OUTLET HOLES	FINISH	STD. CTN.
S-1-RD	1	Silver Gray	25
DSS-1-BR	1	Bronze	25
DSS-1-WH	1	White	25
Y2-PL	2	Silver Gray	25
S-3-RD	3	Silver Gray	25
DSS-3-BR	3	Bronze	25
DSS-3-WH	3	White	25

UL Listed E-51763.

CSA Certified LR-18685.

Round Blank Covers



CAT. NO.	COLOR	DESCRIPTION
4 1/8" Diameter		
SS-B	Silver	Weatherproof Cover with Gasket and Screws
5" Diameter		
CCRSB	White	Mounting Holes 2 3/4" on Center (not raintight)
CCRB	White	Mounting Holes 3 1/2" on Center (not raintight)
D-PAK®		
DCCRB	White	—

NOTE: Boxes are raintight when used with appropriate Red•Dot® boxes.

All covers packed with gasket and screws.

redodot® and Carlon® Weatherproof Boxes, Covers and Conduit Bodies

Lampholders, Garden Lights and Accessories

Applications:

- Security and general outdoor lighting fixture for residential and commercial applications
- Accent lighting fixture for highlighting outdoor signs and architectural details
- Compact outdoor lighting fixture which can be mounted easily in most places and can be aimed in any direction

Features/Benefits:

- Clean lines and precision manufacturing result in a fixture which will enhance any application
- High-quality replaceable porcelain socket with high-temperature leads enables easy field maintenance
- Positive-locking mounting arm keeps fixture in aimed position to reduce costly call-backs
- Ground screw boss in arm

Standard Materials:

- Fixture: Certified die-cast zinc alloy ZAMAK 3
- Gasket: Heat-resistant composition or high-temperature silicone
- Socket: Center contact, porcelain, medium base

Standard Finish:

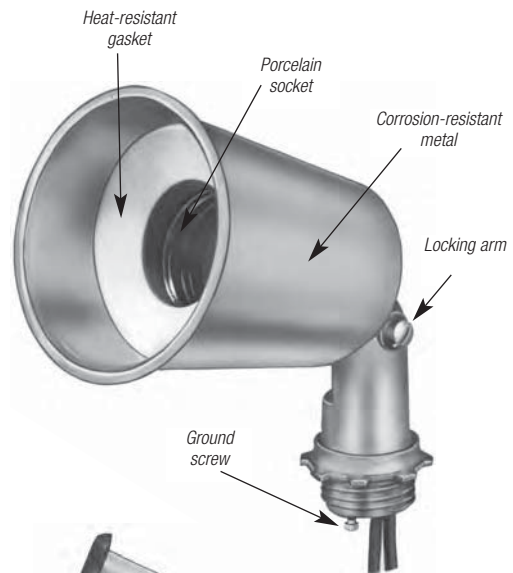
- Powder-coated finish
- Chrome-plated zinc

Compliances:

- UL Listed
- Suitable for use in wet locations

Sample Specifications:

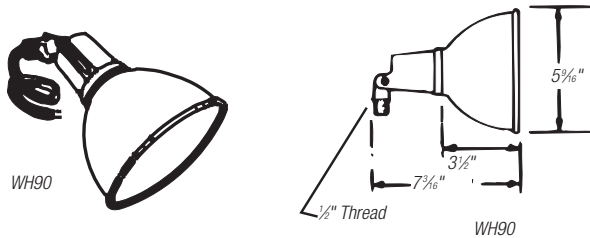
Lampholders shall be certified die-cast zinc alloy ZAMAK 3. Lampholder will have positive-locking mounting arm and replaceable socket. Fixture shall be Red•Dot® Dry-tite®.
 Catalog No. _____ for use with _____ Watt incandescent lamp.



Weatherproof Lampholders

Use with Medium-Base Par Lamps to 150 Watts.
Lampholders and Assemblies

Hooded Lampholders



- Heavy-duty die-cast zinc lampholder
- Corrosion-resistant aluminum hood
- Factory provided with a 3-wire, 8" prestripped lead

CAT. NO.	DESCRIPTION	STD. CTN.
WH90	Silver Gray, 5 1/2" Diameter Hood	6

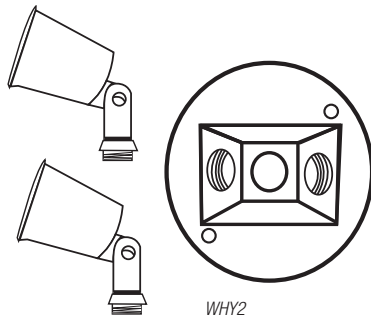
Universal Lampholders

- Heavy-duty die-cast zinc construction
- Supplied with captive lamp sealing gasket
- Current-carrying components are copper or copper-alloy materials and sockets are porcelain
- Factory provided with a 2-wire, 8" prestripped lead
- Swivel arm has grounding boss
- Ground screw supplied

CAT. NO.	DESCRIPTION	COLOR	STD. CTN.
WHG-1	Weathershed Series with Heat-Resistant Sealing Gasket	Silver gray	36
WHUP-1	Inside Gasket and Ground Screw	"Natural" color	36

UL Listed E-42680

Lampholder Assemblies

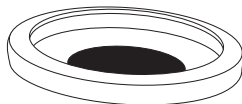


- Heavy-duty die-cast zinc construction
- Powder-coat finish in silver gray
- Completely factory assembled and factory prewired
- Surface mount to any 3" or 4" round outdoor box or flush mount to existing box

CAT. NO.	DESCRIPTION	STD. CTN.
WHY2	Two Silver Lamps, Silver-Gray Cover	5

UL Listed E-42680.

Gasket



CAT. NO.	DESCRIPTION	STD. CTN.
G1	Heat-Resistant Sealing Gasket	100

Adapters

- Heavy-duty die cast construction
- Natural cast finish



CAT. NO.	DESCRIPTION	STD. CTN.
AD11-2	"Y" Adapter — Converts One Outlet to Two — 1/2" Threads	10

UL Listed E-51763.

redodot® and Carlon® Weatherproof Boxes, Covers and Conduit Bodies

Weatherproof Lampholders

Round Lampholder Covers

Standard Covers



CAT. NO.	COLOR	HUB SIZE (IN.)	DESCRIPTION
Gasket and Screws, 4/8" Diameter			
S-1-RD	Silver	1/2	One Tapped Hole
S-12	Silver	3/4	One Tapped Hole
S-3-RD	Silver	1/2	Three Tapped Holes
D-PAK®			
DSS-1	Silver	1/2	One Tapped Hole
DSS-1-BR	Bronze	1/2	One Tapped Hole
DSS-1-WH	White	1/2	One Tapped Hole
DSS-3	Silver	1/2	Three Tapped Holes
DSS-3-BR	Bronze	1/2	Three Tapped Holes
DSS-3-WH	White	1/2	Three Tapped Holes
S621E			Universal Gasket

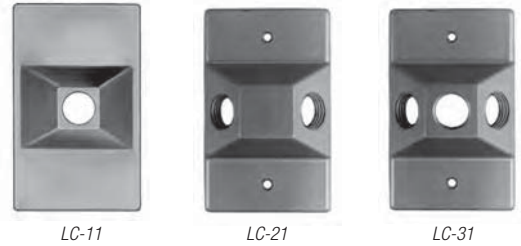
Jumbo Covers



CAT. NO.	COLOR	HUB SIZE (IN.)	DESCRIPTION
Gasket and Screws, 4 1/2" Diameter			
SJ-11	Silver	1/2	One Tapped Hole
SJ-21	Silver	1/2	Two Tapped Holes
SJ-31	Silver	1/2	Three Tapped Holes

NOTE: Boxes are raintight when used with appropriate Red•Dot® boxes.
All covers packed with gasket and screws.

Single-Gang Lampholder Covers



CAT. NO.	CAT. NO.	COLOR	SIZE (IN.)	DESCRIPTION
Standard				
(2 13/16" x 4 1/2")				
LC-11	LF11	—	1/2	One-Hole Device Mount
LC-21	—	—	1/2	Two-Hole Device Mount
LC-31	LF31	—	1/2	Three-Hole Device Mount
D-PAK®				
DLC-31	—	Silver	1/2	Three-Hole Device Mount
DLC-31-BR	—	Bronze	1/2	Three-Hole Device Mount
DLC-31-WH	—	White	1/2	Three-Hole Device Mount

Weatherproof Lampholders

Lampholders, Die-Cast Zinc Zamak 3



CAT. NO.	COLOR	LAMP MAX.	DESCRIPTION
Standard			
L-80	Silver	150W • PAR 38 or R40	Inside Gasket and Ground Screw
WHUP-1	Natural	150W • PAR 38 or R40	Inside Gasket and Ground Screw
D-PAK®			
DL-80	Silver	—	—
DL-80-BR	Bronze	—	—
DL-80-WH	White	—	—
Gasketed			
L-80-D	Silver	150W • PAR 38 or R40	Heavy-Duty Slip-On Gasket and Ground Screw
Deep-Shielded			
L-800	—	150W • PAR 38 or R40	Inside Gasket and Ground Screw
Wireguard			
LG-80	—	—	Mounts to L-80 Series Lampholder

Decorative Floodlight



CAT. NO.	COLOR	LAMP MAX.	DESCRIPTION
2L80D2	White	150W • PAR 38	Two Lampholders Round Cover, or R40 Inside Ground Screws
D-PAK®			
D2L80S3	Silver	—	—

Spike Lights

Portable Mount

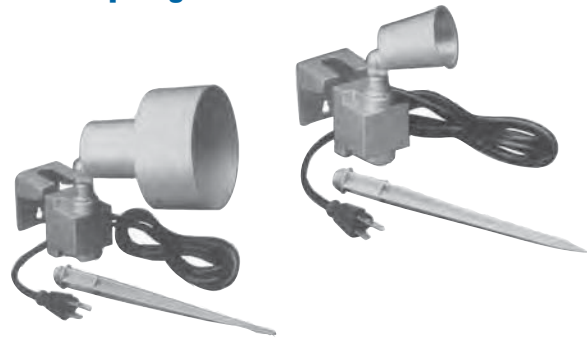
For use with 150-Watt Lamp

- Lampholders are heavy-duty die-cast construction
- Lampholders have powder-coat green finish
- Current-carrying components are copper or copper alloy and sockets are porcelain
- Factory wired

CAT. NO.	DESCRIPTION	STD. CTN.
B660GR	Spike Light with 6' Cord	16

UL Listed E-42680.

Portable Spotlights

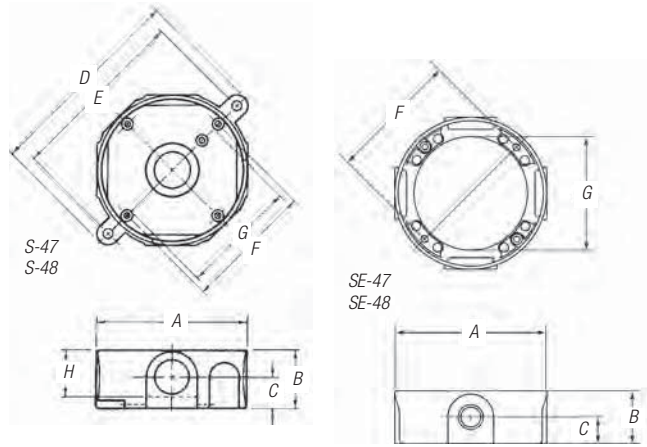
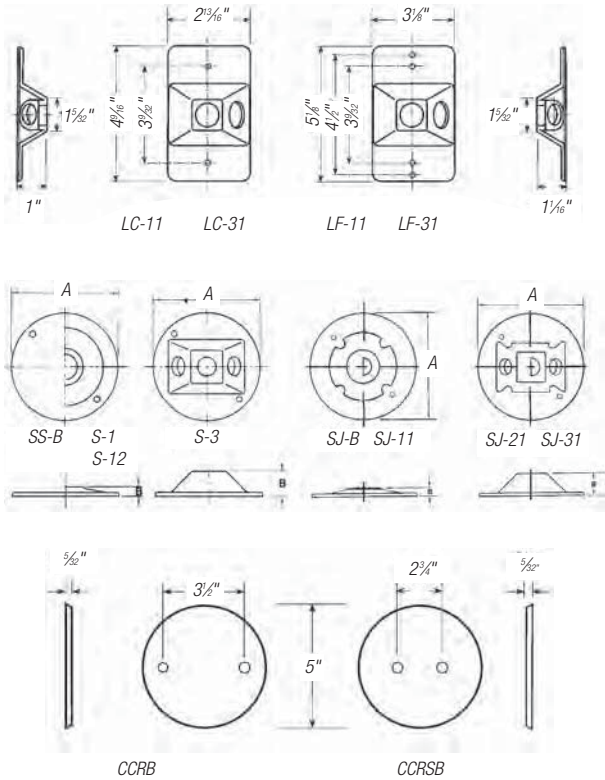


CAT. NO.	COLOR	LAMP MAX.	DESCRIPTION
K702	Silver	150W • PAR 38 or R40	Standard Lampholder, Ground Spike, Wall Bracket, Gasket and Screws
K780	Silver	150W • PAR 38 or R40	Deep-Shielded Lampholder, Ground Spike, Wall Bracket, Gasket and Screws
K780BR	Bronze	150W • PAR 38 or R40	Standard Lampholder, Ground Spike, Wall Bracket, Gasket and Screws

redodot® and Carlon® Weatherproof Boxes, Covers and Conduit Bodies

Weatherproof Lampholders

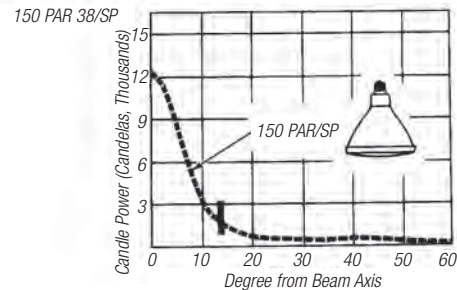
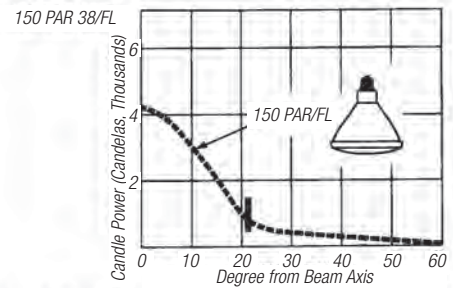
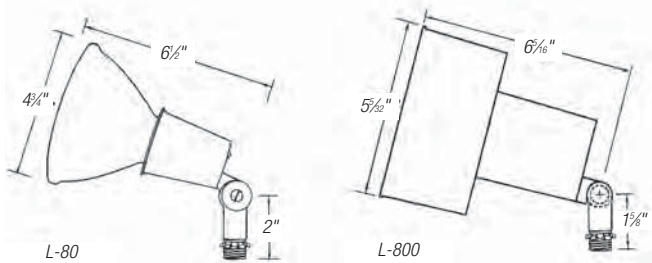
Dimensions in Inches



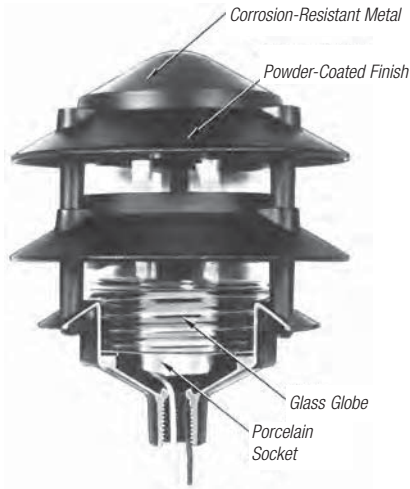
CAT. NO.	HUB SIZE	DIMENSIONS (IN.)								
		A	B	C	D	E	F	G	H	CI
S-47	1/2	4 1/8	1 1/8	3/4	5 1/8	4 15/16	3 1/2	3 3/8	1 1/4	16.0
SE-47	1/2	4 1/8	1 1/8	1	—	—	3 1/2	3 3/8	—	18.3
S-71	1/2	4 1/8	1 1/8	3/4	5 1/8	4 15/16	3 1/2	3 3/8	1 1/4	16.0
S-48	3/4	4 1/8	1 1/8	7/8	5 1/8	4 15/16	3 1/2	3 3/8	1 1/4	16.0
SE-48	3/4	4 1/8	1 1/8	1 1/8	—	—	3 1/2	3 3/8	—	18.3
SS-B	—	4 1/8	3/4	—	—	—	—	—	—	—
S-1	1/2	4 1/8	3/4	—	—	—	—	—	—	—
S-12	3/4	4 1/8	3/4	—	—	—	—	—	—	—
S-3	1/2	4 1/8	1	—	—	—	—	—	—	—
SJ-B	—	4 1/2	3/4	—	—	—	—	—	—	—
SJ-11	1/2	4 1/2	3/4	—	—	—	—	—	—	—
SJ-21	1/2	4 1/2	1	—	—	—	—	—	—	—
SJ-31	1/2	4 1/2	1	—	—	—	—	—	—	—

Photometrics

Photometrics are strictly a function of the lamp used.



SiteLight® Landscape Lights



Applications:

- Lighting for walkways, paths or driveways
- Accent lighting for garden and terrace areas
- Ground-level security lighting

Features/Benefits:

- Certified zinc alloy provides increased corrosion resistance
- High-quality replaceable porcelain socket with high-temperature leads enables easy field maintenance

Standard Materials:

- Fixture: Die-cast zinc alloy ZAMAK 3
- Globe: Lime crystal glass
- Socket: Center contact, porcelain, medium base

Standard Finish:

- Green powder-coated finish
- Bronze powder-coated finish

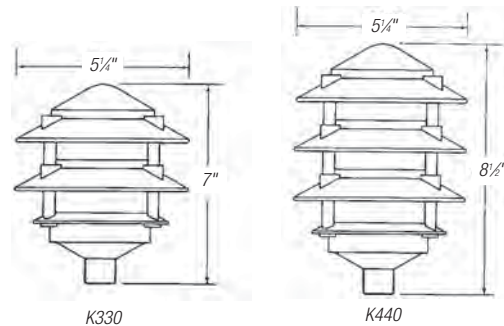
Compliances:

- UL Listed
- Suitable for use in wet locations

Sample Specifications:

- Fixture shall be certified die-cast zinc alloy ZAMAK 3, socket shall be porcelain, center contact and replaceable, socket shall have extended leads for easy wiring, fixture shall be Red•Dot® Dry-tite®

Catalog No. _____

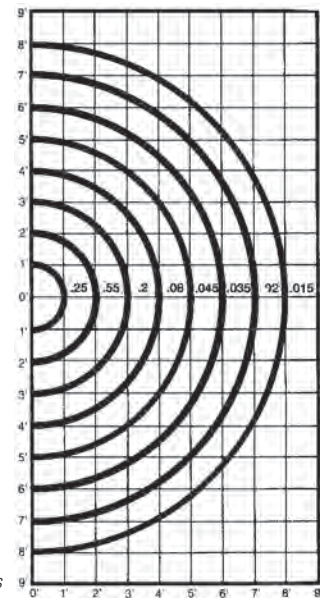


Photometrics:

Based on lamp center 24" above ground

Based on 100-Watt A-19 inside-frosted 1750-lumen lamp. For other wattage see table below.

Wattage	Multiplier
100	1.0
75	.68
60	.44
50	.27
40	.26
25	.13



Iso Foot Candles

Three Tier



K330

CAT. NO.	COLOR	LAMP MAX.	DESCRIPTION
K330	Green	75W•	12" Extended Leads, Gasket and Ground
K330BR	Bronze		Screw Globe
VGL-075			

Four Tier



K440

CAT. NO.	COLOR	LAMP MAX.	DESCRIPTION
K440	Green	100W•	12" Extended Leads, Gasket and Ground
K440BR	Bronze		Screw Globe
VGL-01			

NOTE: Lamp not included

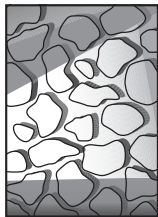
redodot® and Carlon® Weatherproof Boxes, Covers and Conduit Bodies

Step Up to SiteLight® Line Voltage Outdoor Lighting.

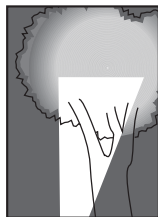
Planning your Outdoor Lighting

On graph paper, outline your home and grounds. Indicate key features you wish to highlight such as stairways, statuary, shrubbery or flowering plants. SiteLight **Spot Lights** and **Swivel Lights** provide focused illumination to showcase these areas.

The diagrams below show how you can achieve three special lighting effects with SiteLight® **Spot Lights** and **Swivel Lights**.



*Grazing
from side or bottom
to show texture*



*Uplighting
from below makes
details stand out*



*Silhouetting
from behind
provides drama*

For decks, **Post Sconce Lights** mounted on deck posts provide glare-free perimeter lighting and mid-stair lighting. **Post Top Lights** are ideal for lighting stairs and rails.

Use SiteLight® **Path Lights** and **Swivel Lights** for pathways, driveways and general garden lighting. The chart below will help you determine fixture spacing.

BRIGHT & EVEN	MEDIUM DAPPLED	SOFT MOOD
8'-10'	12'-18'	Over 20'

SiteLights® are permanent, all-metal fixtures guaranteed for a lifetime.

SiteLight® Line Voltage Outdoor Lighting

For outdoor lighting, nothing compares to the full power (120V) and beauty of SiteLight®. SiteLight® uses regular household voltage and standard bulbs that are readily available. There are no expensive transformers to purchase or replace. With SiteLight®, you can add fixtures when and where you want them and still enjoy lighting that is up to five times brighter than low-voltage.

Use SiteLight® to highlight gardens, statuary, shrubbery and to effectively light decks, stairs, pathways, pools and driveways. SiteLight® meets every outdoor lighting need...from soft, indirect deck lighting, to brilliant, focused spot lighting. Use SiteLight® to beautify your property while enhancing safety and security.

Step up to SiteLight® line voltage outdoor lighting and add permanent value to your home.



Compare SiteLight® to Low-Voltage Sets

- SiteLight® is up to five times brighter than low-voltage — more light with fewer fixtures than with low-voltage sets
- SiteLight® gives you flexibility in spacing, the number of fixtures and the length-of-run. Light where you need it — low-voltage sets have a fixed limit on length-of-run and the number of fixtures
- SiteLight® uses regular household current — no expensive low-voltage transformer to purchase or replace
- SiteLight® uses readily available, standard bulbs — low-voltage bulbs are often found only where sets are sold
- SiteLight® lets you add on fixtures by tapping into run — low-voltage sets will generate even less light if transformers are at capacity

SiteLight® Meets Every Outdoor Lighting Need

- From soft, indirect deck lighting to brilliant, focused spot lighting, use SiteLight® to beautify any property while enhancing safety and security
- Lighting for walkways, pathways and driveways
- Stairway, perimeter and task lighting for decks
- Accent and ambient lighting for pool/patio and garden areas
- Highlighting to emphasize landscape details or specific objects
- Ground-level safety/security lighting to illuminate dark areas

We've Made Installation Easy.

Everything you need is included in the SiteLight® Kit, except a bulb, supply cable and tools (screwdriver, wire strippers, etc.). Only three connections are required to wire each fixture to the supply cable. With SiteLight's PVC in-ground mounting tube, there is no need to pour concrete to secure the fixtures. Just position the tube and pack dirt around it. Attach your SiteLight® to the mounting tube and your installation is complete.

SiteLights® are designed for a lifetime of trouble-free use. SiteLight® is high-quality, permanent lighting built to add value and beauty to your home.

Applications:

- Lighting for walkways, pathways and driveways
- Stairway, perimeter and task lighting for decks
- Accent and ambient lighting for pool/patio and garden areas
- Highlighting to emphasize landscape details or specific objects
- Ground-level safety/security lighting to illuminate dark areas

Features/Benefits:

- Copper-free* aluminum construction provides increased corrosion resistance
- Sturdy die-cast aluminum construction provides durability
- Architectural bronze color blends into landscape and deck areas
- High-quality, replaceable porcelain socket with brass screw shell (except K851BR, K852BR)
- Aluminum mounting tube cap houses and protects wire connection (ground-installed fixtures)
- PVC ground tube provides an innovative installation method saving costly labor and traditional installation materials (ground-installed fixtures)
- Wire connectors and ground wire enable safe, easy power connections
- Tempered glass lens and silicon gaskets keep socket dry (K831BR, CS841BR, K861BR)
- Positive locking arm can be adjusted to the desired position (K831BR, CS841BR, K861BR)
- Fixtures use regular household voltage (120V)

Standard Materials:

- Fixture: Die-cast aluminum alloy A360 with less than .004 copper content (copper free*)
- Lens: Tempered glass (K831BR, CS841BR, K861BR)
- Lens: Polycarbonate (K811BR, K812BR, K821BR, K822BR, K851BR)
- Socket: Porcelain, center contact, brass screw shell, medium base (K811BR, K812BR, K821BR, K822BR, K831BR, CS841BR, K861BR), molded plastic socket with candelabra base (K851BR and K852BR)
- Mounting Tube: Gray PVC, schedule 40 (ground-installed fixtures)

Standard Finish:

- Bronze powder-coated finish

Compliances:

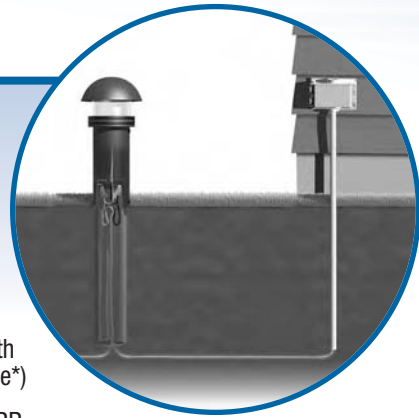
- UL Listed
- Suitable for use in wet locations
- Ground mounting (suitable for use 4' or less above grade level) except K852BR and K861BR

Sample Specifications:

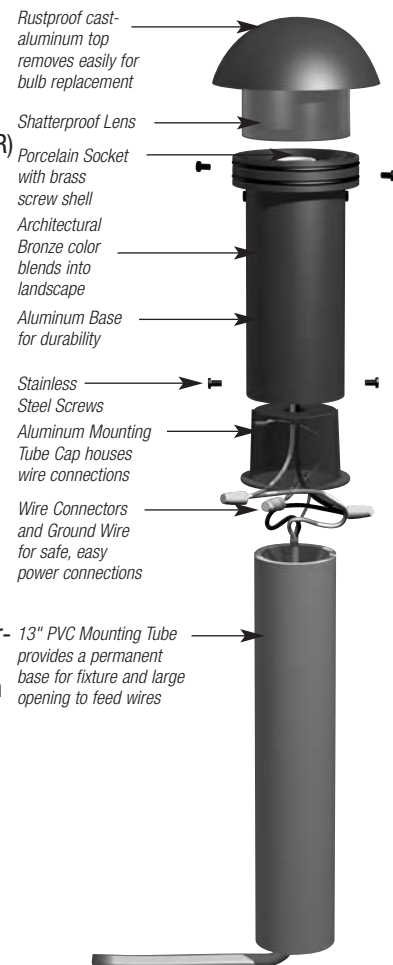
- Fixture shall be die-cast copper-free* aluminum alloy A360, with bronze powder-coated finish. Sockets shall be porcelain, center contact, brass screw shell-medium base for K811BR, K812BR, K821BR, K822BR, K831BR, K841BR and K861BR fixtures. Sockets shall be molded plastic with candelabra screw base for K851BR and K852BR fixtures. All sockets shall have extended leads for easy wiring
- * Less than .004 copper content

Easy to Install:

- Only three wire connections per fixture are required
- No need to pour concrete
- All connections are made above ground

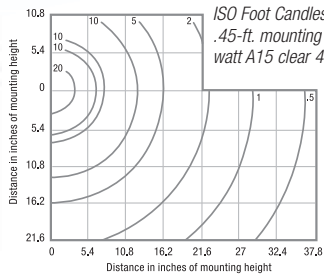


Quality Construction





K811BR



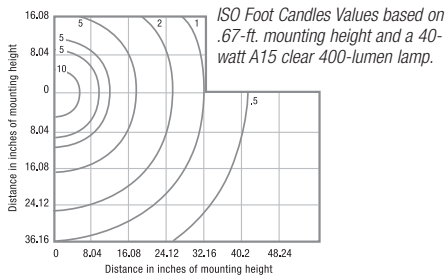
7.5" Path Light

See page H-40 for specifications

CAT. NO.	DESCRIPTION	LAMP REQUIRED	SPACING
K811BR	7.5" Path Light with 13" x 2" Schedule 40 PVC Mounting Tube	A15 40W (max.)/ 120V medium base	8'-10' apart: bright and even, 12'-18' apart: medium dappled 20' or more: soft mood



K812BR



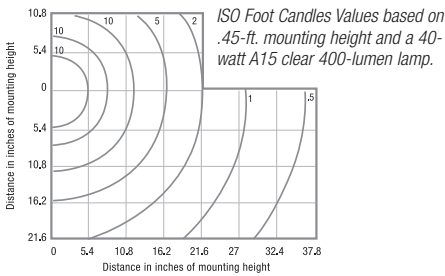
10" Path Light

See page H-41 for specifications

CAT. NO.	DESCRIPTION	LAMP REQUIRED	SPACING
K812BR	10" Path Light with 13" x 2" Schedule 40 PVC Mounting Tube	A15 40W (max.)/ 120V medium base	8'-10' apart: bright and even, 12'-18' apart: medium dappled 20' or more: soft mood



K821BR



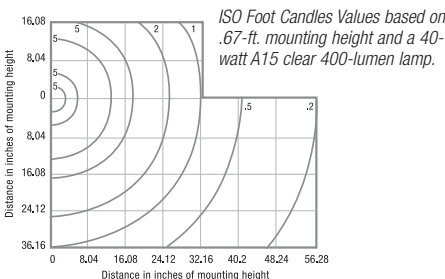
7.5" Path Light

See page H-42 for specifications

CAT. NO.	DESCRIPTION	LAMP REQUIRED	SPACING
K821BR	7.5" Path Light with 13" x 2" Schedule 40 PVC Mounting Tube	A15 40W (max.)/ 120V medium base	8'-10' apart: bright and even, 12'-18' apart: medium dappled 20' or more: soft mood



K822BR



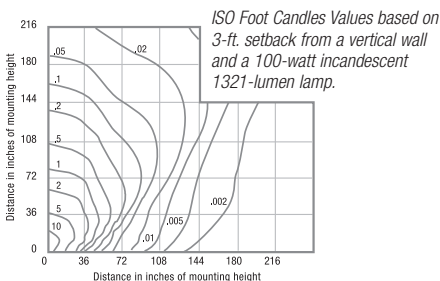
10" Path Light

See page H-43 for specifications

CAT. NO.	DESCRIPTION	LAMP REQUIRED	SPACING
K822BR	7.5" Path Light with 13" x 2" Schedule 40 PVC Mounting Tube	A15 40W (max.)/ 120V medium base	8'-10' apart: bright and even, 12'-18' apart: medium dappled 20' or more: soft mood



CS841BR



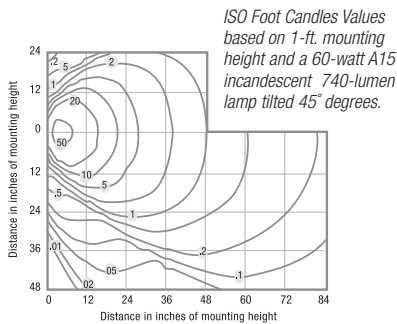
Ground Spot Light

See page H-44 for specifications

CAT. NO.	DESCRIPTION	LAMP REQUIRED	SPACING
CS841BR	Ground Spot Light with 13" x 2" Schedule 40 PVC Mounting Tube	R20 100W (max.)/ 120V medium base	One to two for each object to be highlighted or as required for special lighting effects



K831BR



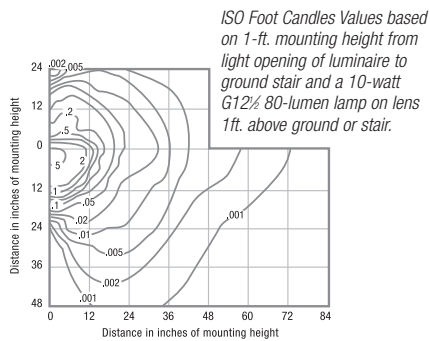
17.5" Swivel Light

See page H-45 for specifications

CAT. NO.	DESCRIPTION	LAMP REQUIRED	SPACING
K831BR	17.5" Swivel Light with 13" x 2" Schedule 40 PVC Mounting Tube	General lighting: A15 60W (max.)/ 120V medium base spot lighting: R16 60W (max.)/ 120V medium base	General lighting: 8'-10' apart; bright and even, 12'-18' apart; medium dappled, 20' or more; soft mood, spot lighting: one to two for each object to be highlighted



K851BR



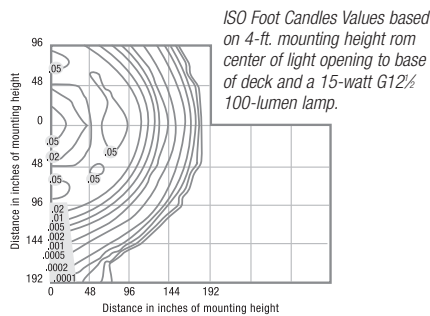
Post Sconce Light

See page H-46 for specifications

CAT. NO.	DESCRIPTION	LAMP REQUIRED	SPACING
K851BR	Post Sconce Light with Metal Back Plate and Mounting Hardware	G12½ 10W (max.)/ 120V candelabra base	On each post or every other post depending on desired brightness, mounts to standard 4 x 4 post



K852BR



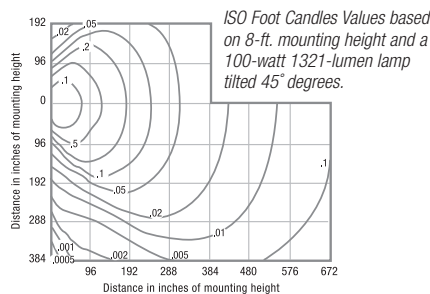
Post Top Light

See page H-47 for specifications

CAT. NO.	DESCRIPTION	LAMP REQUIRED	SPACING
K852BR	Post Top Light with Metal Back Plate and Mounting Hardware	G12½ 10W (max.)/ 120V candelabra base	On each post or every other post depending on desired brightness, mounts to standard 4 x 4 post



K861BR

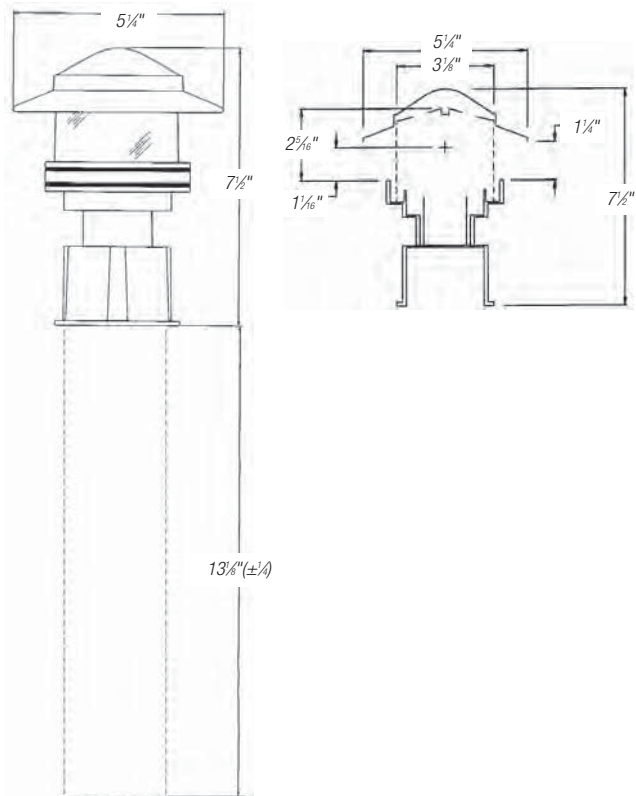


Wall Spot

See page H-48 for specifications

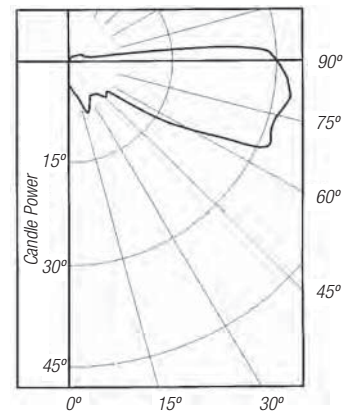
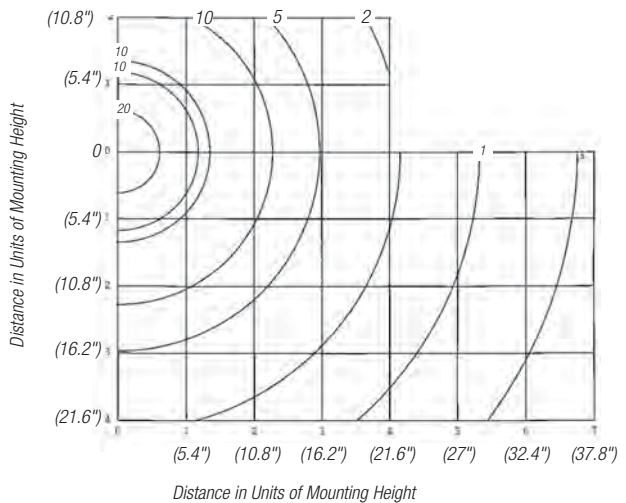
CAT. NO.	DESCRIPTION	LAMP REQUIRED	SPACING
K861BR	Wall Spot with Cover (box not included)	R20 100W (max.)/ 120V medium base	One to two on most average size decks or exterior walls

K811BR Specifications



ISO Foot Candles

Values based on .45 (5.4") foot mounting height and a 40-watt A15 clear 400-lumen lamp.



Zonal Lumen Summary

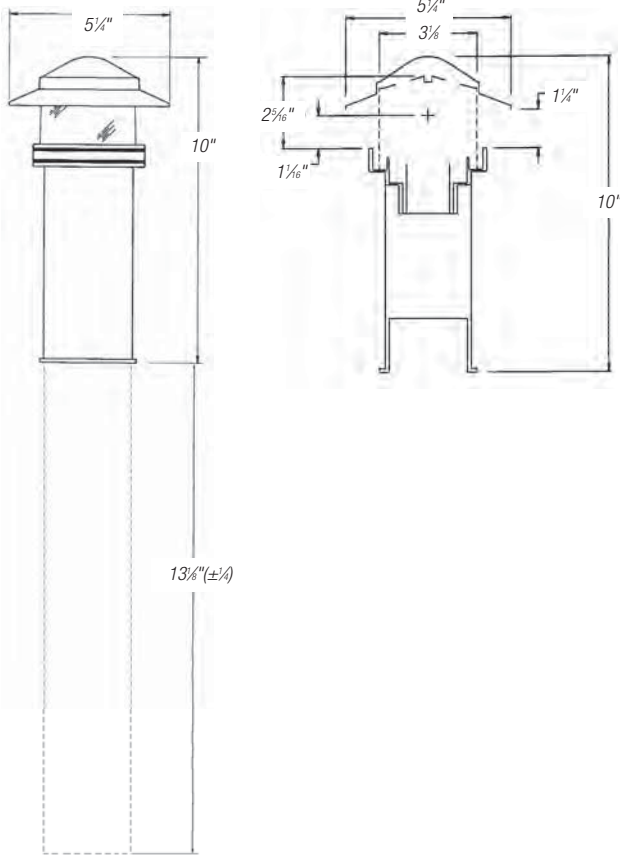
ZONE DEG.	LUMENS	% OF LAMP OUTPUT BASED ON 400 LUMENS	% OF TOTAL OUTPUT
0-30	5	1.4	3.6
0-40	9	2.3	6.2
0-60	26	6.4	17.1
0-90	121	30.2	80.7
90-120	26	6.5	17.4
90-130	27	6.8	18.3
90-150	29	7.2	19.3
90-180	29	7.2	19.3
0-180	150	37.4	100.0

Total Luminaire Efficiency = 37.4%

DEG	CANDELA	LUMENS
0	4	—
5	4	0
15	6	2
25	7	3
35	6	4
45	7	5
55	11	11
65	30	28
75	31	33
85	32	34

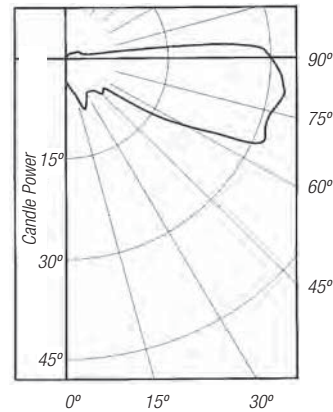
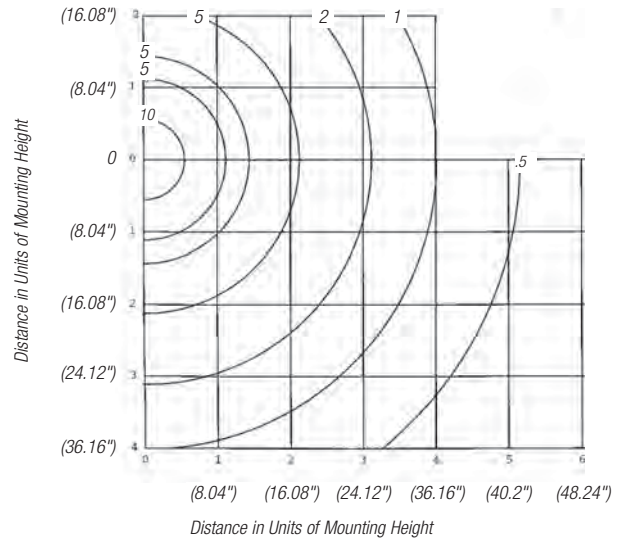
DEG	CANDELA	LUMENS
90	30	—
95	24	21
105	3	3
115	2	2
125	2	1
135	1	1
145	1	1
155	0	0
165	0	0
175	0	0
180	0	—

K812BR Specifications



ISO Foot Candles

Values based on .67 (8.04") foot mounting height and a 40-watt A15 clear 400-lumen lamp.



Zonal Lumen Summary

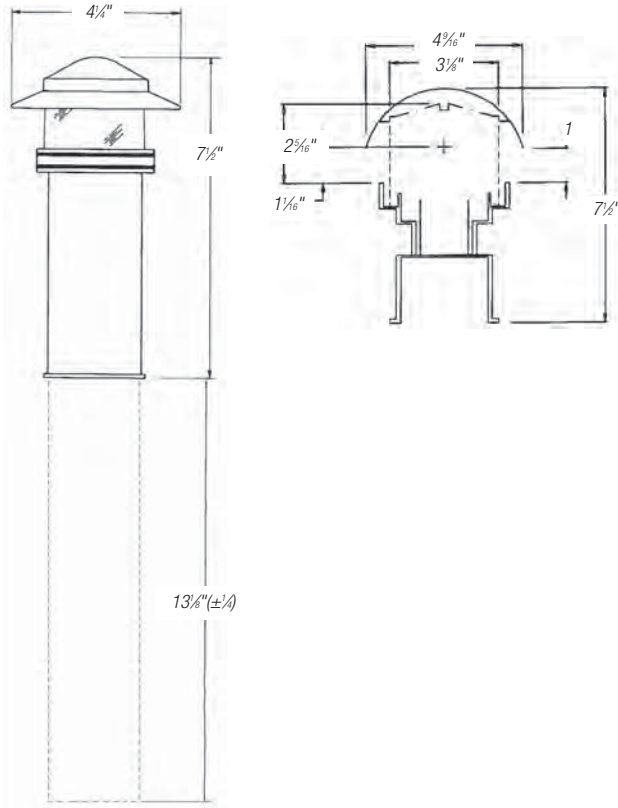
ZONE DEG.	LUMENS	% OF LAMP OUTPUT BASED ON 400 LUMENS	% OF TOTAL OUTPUT
0-30	5	1.4	3.6
0-40	9	2.3	6.2
0-60	26	6.4	17.1
0-90	121	30.2	80.7
90-120	26	6.5	17.4
90-130	27	6.8	18.3
90-150	29	7.2	19.3
90-180	29	7.2	19.3
0-180	150	37.4	100.0

Total Luminaire Efficiency = 37.4%

DEG	CANDELA	LUMENS
0	4	—
5	4	0
15	6	2
25	7	3
35	6	4
45	7	5
55	11	11
65	30	28
75	31	33
85	32	34

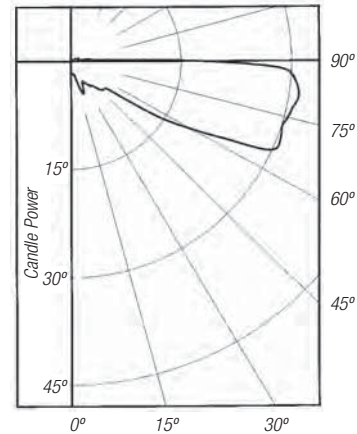
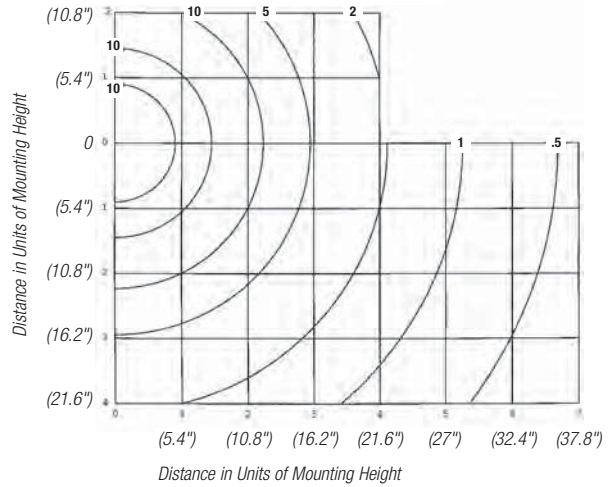
DEG.	CANDELA	LUMENS
90	30	—
95	24	21
105	3	3
115	2	2
125	2	1
135	1	1
145	1	1
155	0	0
165	0	0
175	0	0
180	0	—

K821BR Specifications



ISO Foot Candles

Values based on .45 (5.4") foot mounting height and a 40-watt A15 clear 400-lumen lamp.



Zonal Lumen Summary

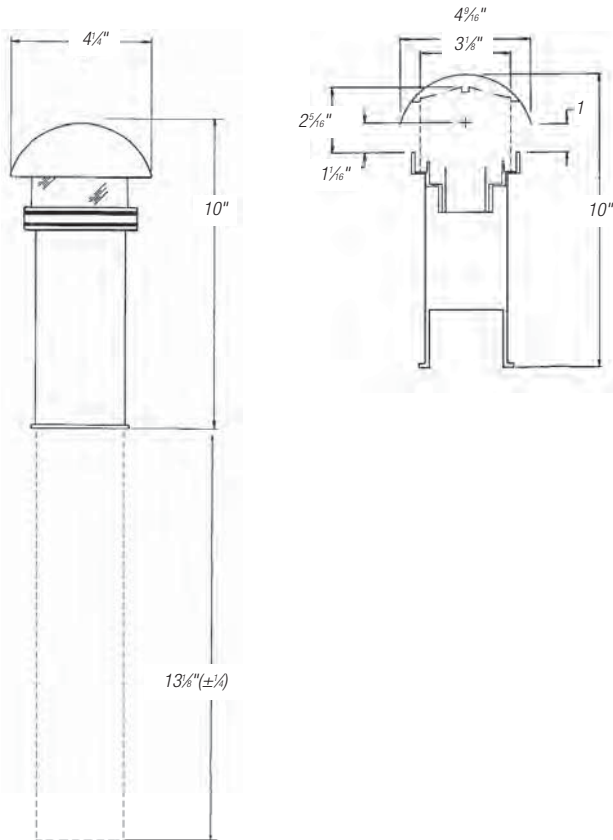
ZONE DEG.	LUMENS	% OF LAMP OUTPUT BASED ON 400 LUMENS	% OF TOTAL OUTPUT
0-30	3	0.7	2.4
0-40	5	1.3	4.5
0-60	19	4.8	16.3
0-90	111	27.8	94.6
90-120	6	1.5	5.2
90-130	6	1.6	5.4
90-150	6	1.6	5.4
90-180	6	1.6	5.4
0-180	118	29.4	100.0

Total Luminaire Efficiency = 29.4%

DEG	CANDELA	LUMENS
0	2	—
5	2	0
15	3	1
25	4	2
35	4	2
45	6	4
55	10	10
65	29	27
75	31	32
85	31	33

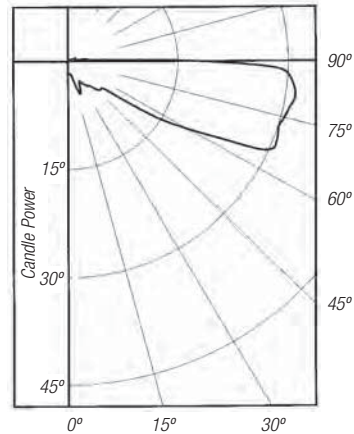
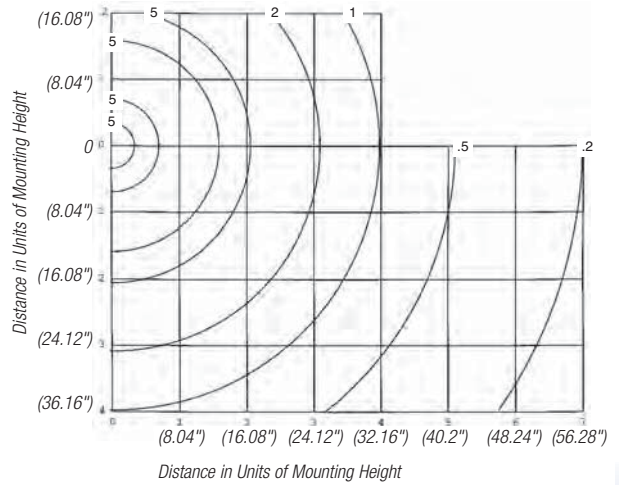
DEG	CANDELA	LUMENS
90	22	—
95	3	4
105	1	1
115	1	1
125	0	0
135	0	0
145	0	0
155	0	0
165	0	0
175	0	0
180	0	—

K822BR Specifications



ISO Foot Candles

Values based on .67 (8.04") foot mounting height and a 40-watt A15 clear 400-lumen lamp.



Zonal Lumen Summary

ZONE DEG.	LUMENS	% OF LAMP OUTPUT BASED ON 400 LUMENS	% OF TOTAL OUTPUT
0-30	3	0.7	2.4
0-40	5	1.3	4.5
0-60	19	4.8	16.3
0-90	111	27.8	94.6
90-120	6	1.5	5.2
90-130	6	1.6	5.4
90-150	6	1.6	5.4
90-180	6	1.6	5.4
0-180	118	29.4	100.0

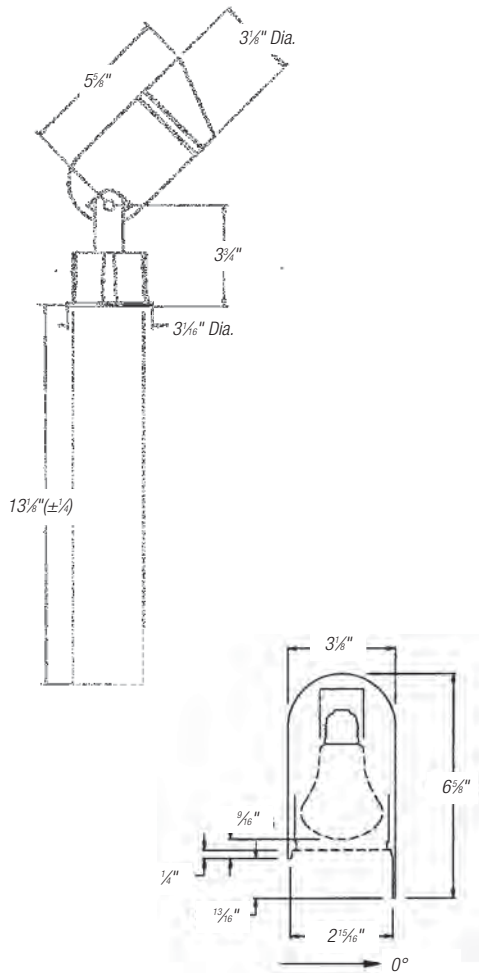
Total Luminaire Efficiency = 29.4%

DEG	CANDELA	LUMENS
0	2	—
5	2	0
15	3	1
25	4	2
35	4	2
45	6	4
55	10	10
65	29	27
75	31	32
85	31	33

DEG	CANDELA	LUMENS
90	22	—
95	3	4
105	1	1
115	1	1
125	0	0
135	0	0
145	0	0
155	0	0
165	0	0
175	0	0
180	0	—

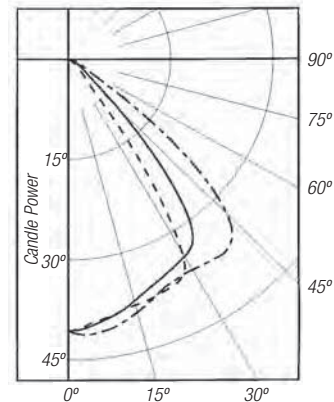
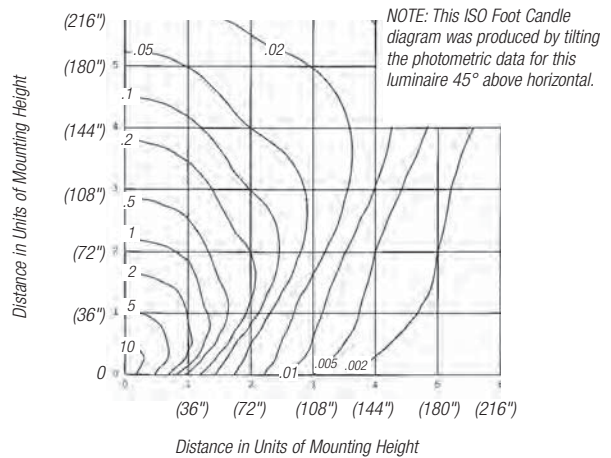
redodot® and Carlon® Weatherproof Boxes, Covers and Conduit Bodies

CS841BR Specifications



ISO Foot Candles

Values based on 3 (36") foot setback from a vertical wall and a 100-watt incandescent 1321-lumen lamp.



Legend
 0-Deg:
 90-Deg:
 180-Deg:

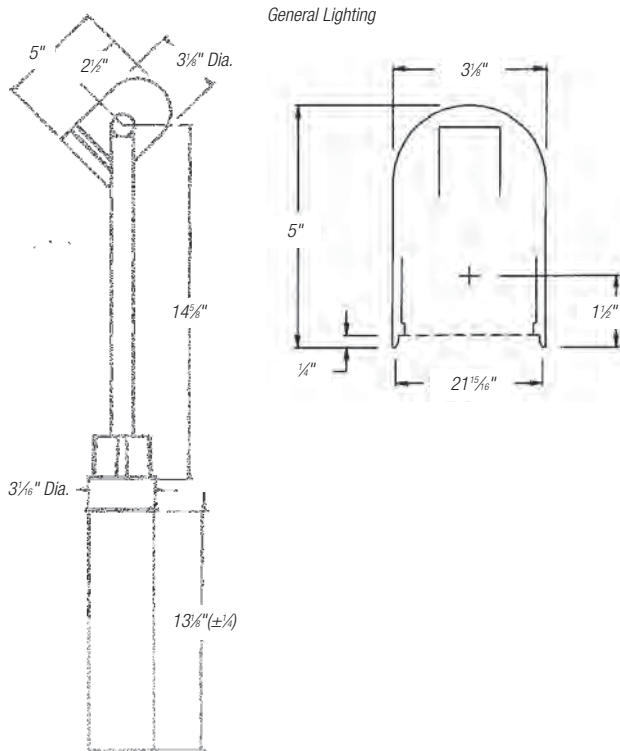
Zonal Lumen Summary

ZONE DEG.	LUMENS	% OF LAMP OUTPUT BASED ON 400 LUMENS	% OF TOTAL OUTPUT
0-30	104	7.9	47.7
0-40	165	12.5	75.3
0-60	214	16.2	97.7
0-90	219	16.6	100.0
90-120	0	0.0	0.0
90-130	0	0.0	0.0
90-150	0	0.0	0.0
90-180	0	0.0	0.0
0-180	219	16.6	100.0

Total Luminaire Efficiency = 16.6%.

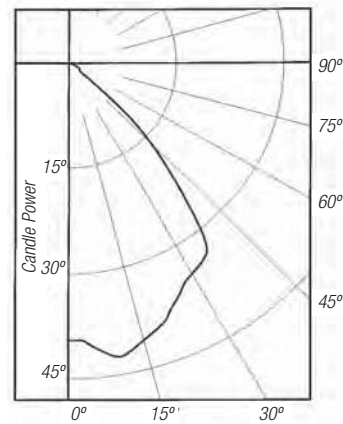
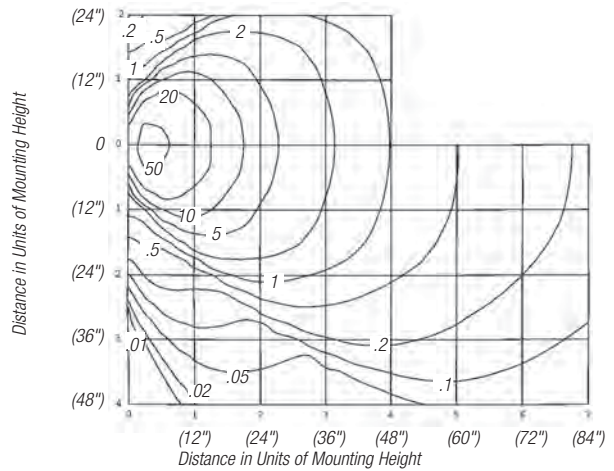
Vertical Degrees	CANDELA DISTRIBUTION HORIZONTAL DEGREES					FLUX
	0.0	45.0	90.0	135.0	180.0	
0	136	136	136	136	136	—
5	132	132	133	136	138	13
15	127	124	125	128	131	36
25	124	121	117	126	122	56
35	58	77	106	125	122	61
45	9	12	35	93	109	37
55	5	6	9	14	31	11
65	0	1	4	6	8	4
75	0	0	0	2	3	1
85	0	0	0	0	1	0
90	0	0	0	0	1	—

K831BR Specifications



ISO Foot Candles

Values based on 1 (12") foot mounting height and a 60-watt A15 incandescent 740 lumen lamp tilted 45°.



Zonal Lumen Summary

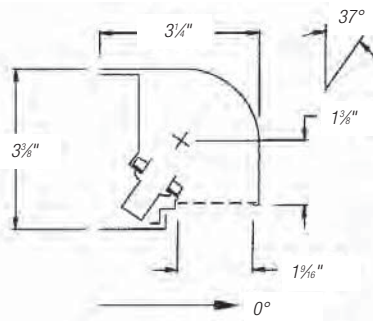
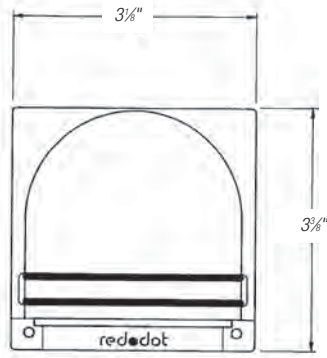
ZONE DEG.	LUMENS	% OF LAMP OUTPUT BASED ON 400 LUMENS	% OF TOTAL OUTPUT
0-30	65	8.7	47.2
0-40	105	14.2	77.0
0-60	134	18.1	97.7
0-90	137	18.5	100.0
90-180	0	0.0	0.0
0-180	137	18.5	100.0

Total Luminaire Efficiency = 18.5%

DEG	CANDELA	LUMENS
0	79	—
5	81	8
15	82	23
25	73	34
35	67	41
45	33	25
55	4	3
65	3	3
75	0	0
85	0	0
90	0	—

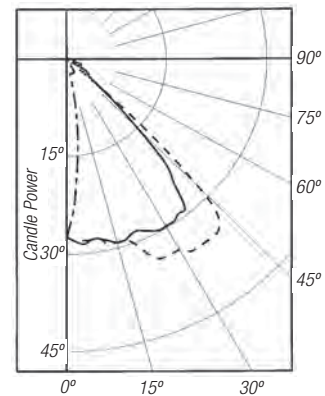
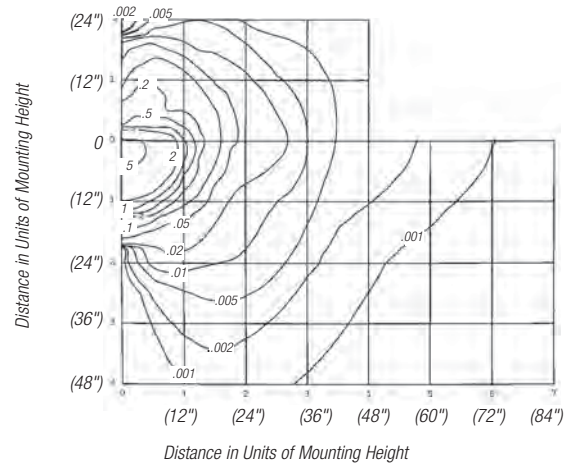
redodot® and Carlon® Weatherproof Boxes, Covers and Conduit Bodies

K851BR Specifications



ISO Foot Candles

Values based on 1 (12") foot mounting height from light opening of luminaire to ground stair and a 10-watt G12½ 80-lumen lamp on lens 1-ft. above ground or stair.



Legend
 0-Deg: -----
 90-Deg: _____
 180-Deg: - - - - -

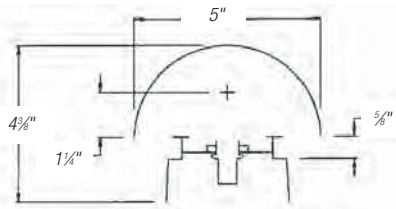
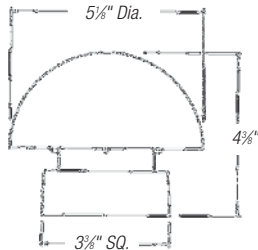
Zonal Lumen Summary

ZONE DEG.	LUMENS	% OF LAMP OUTPUT BASED ON 400 LUMENS	% OF TOTAL OUTPUT
0-30	4	4.5	38.7
0-40	6	7.7	66.3
0-60	9	11.0	94.3
0-90	9	11.6	100.0
90-180	0	0.0	0.0
0-180	9	11.6	100.0

Total Luminaire Efficiency = 11.6%.

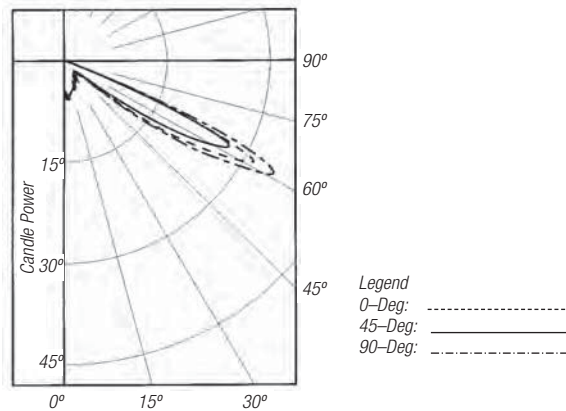
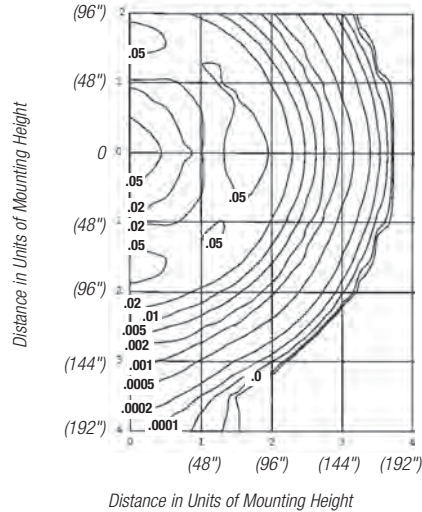
Vertical Degrees	CANDELA DISTRIBUTION HORIZONTAL DEGREES					FLUX
	0.0	45.0	90.0	135.0	180.0	
0	5	5	5	5	5	—
5	6	6	6	5	3	0
15	6	6	6	2	0	1
25	7	7	6	1	0	2
35	7	7	6	1	0	3
45	6	5	3	1	0	2
55	0	1	1	1	0	1
65	0	0	0	0	0	0
75	0	0	0	0	0	0
85	0	0	0	0	0	0
90	0	0	0	0	0	—

K852BR Specifications



ISO Foot Candles

Values based on 4 (48") foot mounting height from center of light opening to base of deck and a 15-watt G16 1/2 100-lumen lamp.



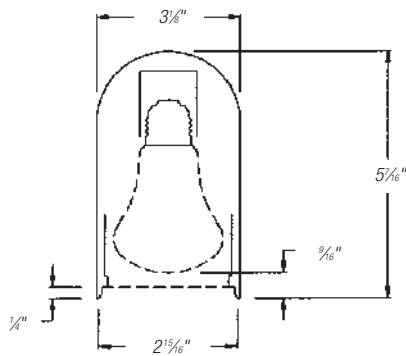
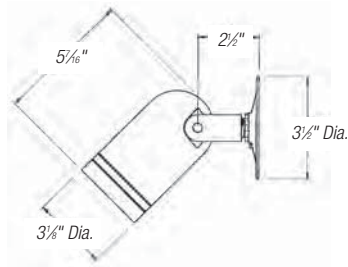
Zonal Lumen Summary

ZONE DEG.	LUMENS	% OF LAMP OUTPUT BASED ON 400 LUMENS	% OF TOTAL OUTPUT
0-30	1	0.9	8.7
0-40	1	1.3	12.8
0-60	5	5.5	52.7
0-90	10	10.4	100.0
90-180	0	0.0	0.0
0-180	10	10.4	100.0

Total Luminaire Efficiency = 10.4%.

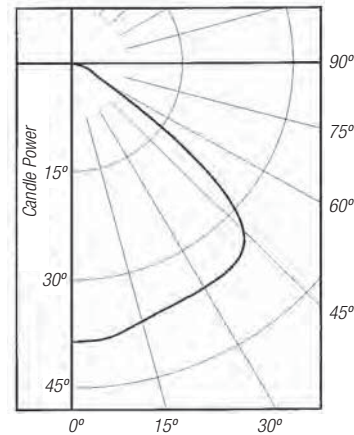
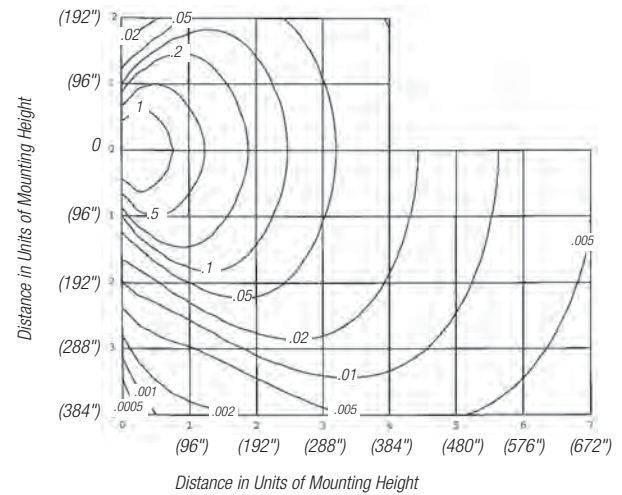
Vertical Degrees	CANDELA DISTRIBUTION HORIZONTAL DEGREES					
	0.0	45.0	90.0	135.0	180.0	FLUX
0	1	1	1	1	1	—
5	2	1	1	1	1	0
15	1	1	1	1	1	0
25	1	1	1	1	1	0
35	1	1	1	1	1	0
45	1	1	1	1	1	1
55	5	3	3	4	6	4
65	6	5	5	5	7	5
75	0	0	0	0	0	0
85	0	0	0	0	0	0
90	0	0	0	0	0	—

K861 BR Specifications



ISO Foot Candles

Values based on 8 (96") foot mounting height and a 100-watt 1321-lumen lamp tilted 45°.



Zonal Lumen Summary

ZONE DEG.	LUMENS	% OF LAMP OUTPUT BASED ON 400 LUMENS	% OF TOTAL OUTPUT
0-30	103	7.8	32.4
0-40	177	13.4	56.0
0-60	301	22.8	94.9
0-90	317	24.0	100.0
90-180	0	0.0	0.0
0-180	317	24.0	100.0

Total Luminaire Efficiency = 24.0%.

DEG.	CANDELA	LUMENS
0	128	—
5	128	12
15	123	35
25	120	56
35	119	75
45	109	83
55	44	41
65	11	11
75	5	5
85	0	0
90	0	—

redodot and Carlon® Weatherproof Boxes, Covers and Conduit Bodies

Industrial Vaportight Lighting.

Applications:

- Low-maintenance indoor/outdoor lighting where moisture, dirt, dust, corrosion and rough service are problems
- Low-profile fixture design for where low ceiling height presents a lighting problem
- To light cold storage facilities, walkways, bridges, tunnels and security locations
- Used with colored globes as warning, caution or directional lights. For 100- or 200-watt medium-base incandescent lamps

Features/Benefits:

- Copper-free* aluminum and stainless steel screws provide increased corrosion resistance
- Precision-cast and machined surfaces permit safer wire pulling
- Fully threaded glass globes prevent cross threading, assuring a tight seal
- High-quality replaceable porcelain socket with high-temperature leads result in a long-lasting fixture
- Five mounting configurations packaged three different ways to suit all customer requirements
- Colored, heat-resistant and shatterproof LEXAN® globes available

Standard Materials:

- Fixture and guards: Die-cast aluminum alloy A360 with less than .004 copper content (copper-free), and stainless steel screw
- Globe: Lime crystal glass
- Socket: Center contact, porcelain, medium base

Standard Finish:

- Powder-coated finish

Compliances:

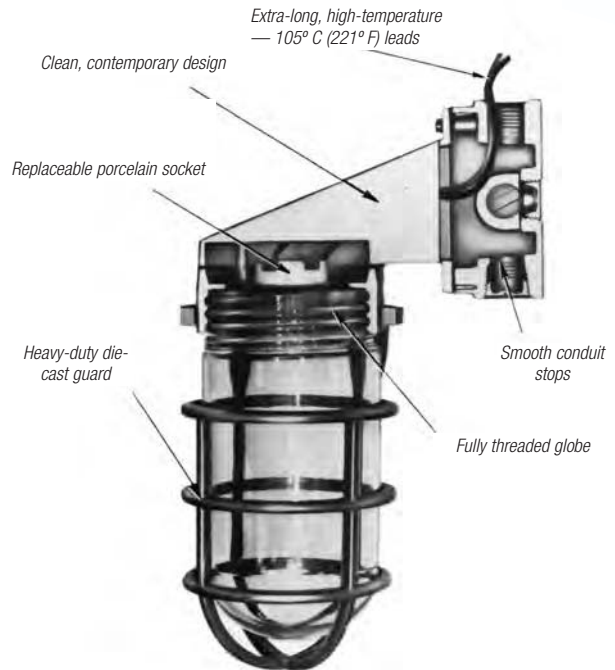
- UL Listed
- Suitable for use in wet locations only when oriented as shown (mounted with lamp base up and guard/globe down)

Sample Specifications

- Fixture shall be die-cast copper-free* aluminum alloy A360. All conduit stops shall be coined and free of rough edges. LEXAN® globes shall have full threads. Sockets shall be porcelain. Fixtures shall be finished with powder-coated paint. Fixtures shall be Red•Dot® Catalog No. _____

* Less than .004 copper content.

LEXAN® is a registered trademark of SABIC Innovative Plastics Company.



VAG-C



VKG-C



VWG-C



VXG-C



VXWG-C

Low-Maintenance Indoor Lighting where Moisture, Dirt, Dust, Corrosion and Rough Service are a Problem.

- Compatible with incandescent and most self-ballasted compact fluorescent bulbs
- For indoor or outdoor use
- Fixture and guard die-cast copper-free aluminum, less than .004 copper content
- Available in components or complete fixture
- Low-silhouette incandescent vaportight
- Variety of mounting configurations
- UL Listed



Pendant Mount



CAT. NO.	HUB SIZE (IN.)	MAX. WATT	DESCRIPTION
VK-11	½	100	Pendant Cap with Socket Screw Terminals, Gasket and Screws
VK-21	¾	100	
VK-12	½	200	
VK-22	¾	200	Pendant Cap with Socket Screw Terminals, Gasket Screws and Globe
VKG-11	½	100	
VKG-21	¾	100	
VKG-12	½	200	Pendant Cap with Socket Screw Terminals, Gasket Screws, Globe and Cast Guard
VKG-22	¾	200	
VKG-11-C	½	100	
VKG-21-C	¾	100	
VKG-12-C	½	200	
VKG-22-C	¾	200	

Ceiling Mount with Adapter Plate



CAT. NO.	HUB SIZE (IN.)	MAX. WATT	DESCRIPTION
VA-01	—	100	Ceiling Outlet Box Cap with Socket with Leads, Gasket and Screws
VA-02	—	200	
VAG-01	—	100	Ceiling Outlet Box Cap with Socket with Leads, Gasket, Screws and Globe
VAG-02	—	200	
VAG-01-C	—	100	Ceiling Outlet Box Cap with Socket with Leads, Gasket, Screws, Globe and Cast Guard
VAG-02-C	—	200	

Ceiling Mount Cross Feed (5 Tapped Holes)



CAT. NO.	HUB SIZE (IN.)	MAX. WATT	DESCRIPTION
VX-11	½	100	Ceiling-Cross Feed Box with Gaskets, Socket with Leads, Screws, 4 Closure Plugs and Cast Mounting Lugs
VX-21	¾	100	
VX-12	½	200	
VX-22	¾	200	Ceiling-CrossFeed Box with Gaskets, Socket with Leads, Screws, 4 Closure Plugs and Cast Mounting Lugs and Globe
VXG-11	½	100	
VXG-21	¾	100	
VXG-12	½	200	Ceiling-Cross Feed Box with Gaskets, Socket with Leads, Screws, 4 Closure Plugs, Cast Mounting Lugs, Globe and Cast Guard
VXG-22	¾	200	
VXG-11-C	½	100	
VXG-21-C	¾	100	
VXG-12-C	½	200	
VXG-22-C	¾	200	

NOTE: For upright mounting only. Caution: In ordering LEXAN® Globe, wattage is rated 75% of standard globe size (i.e. VGLL-02 is for use on 200-watt fixtures, but only rated for 150-watt lamps.)

Vaportight Lighting

Wall Mount with Adapter Plate



CAT. NO.	MAX. WATT	DESCRIPTION
VW-01	100	Wall Mount Unit with Socket with Leads, Gaskets and Screws
VW-02	200	Wall Mount Unit with Socket with Leads, Gaskets and Screws and Globe
VWG-01	100	Wall Mount Unit with Socket with Leads, Gaskets and Screws and Globe
VWG-02	200	Wall Mount Unit with Socket with Leads, Gaskets, Globe, Screws and Cast Guard
VWG-01-C	100	Wall Mount Unit with Socket with Leads, Gaskets, Globe, Screws and Cast Guard
VWG-02-C	200	Wall Mount Unit with Socket with Leads, Gaskets, Globe, Screws and Cast Guard

Wall Mount Cross Feed (5 Tapped Holes)



CAT. NO.	HUB SIZE (IN.)	MAX. WATT	DESCRIPTION
VXW-11	½	100	Wall Mount Cross Feed with Socket with Leads, Gaskets, Screws, 4 Closure Plugs and Cast Mounting Lugs
VXW-21	¾	100	Wall Mount Cross Feed with Socket with Leads, Gaskets, Screws, 4 Closure Plugs and Cast Mounting Lugs
VXW-12	½	200	Wall Mount Cross Feed with Socket with Leads, Gaskets, Screws, 4 Closure Plugs and Cast Mounting Lugs
VXW-22	¾	200	Wall Mount Cross Feed with Socket with Leads, Gaskets, Screws, 4 Closure Plugs and Cast Mounting Lugs
VXWG-11	½	100	Wall Mount Cross Feed with Socket with Leads, Gaskets, Screws, 4 Closure Plugs and Cast Mounting Lugs
VXWG-21	¾	100	Wall Mount Cross Feed with Socket with Leads, Gaskets, Screws, 4 Closure Plugs and Cast Mounting Lugs
VXWG-12	½	200	Wall Mount Cross Feed with Socket with Leads, Gaskets, Screws, 4 Closure Plugs and Cast Mounting Lugs
VXWG-22	¾	200	Wall Mount Cross Feed with Socket with Leads, Gaskets, Screws, 4 Closure Plugs and Cast Mounting Lugs
VXWG-11-C	½	100	Wall Mount Cross Feed with Socket with Leads, Gaskets, Screws, 4 Closure Plugs, Cast Mounting Lugs, Globe and Cast Guard
VXWG-21-C	¾	100	Wall Mount Cross Feed with Socket with Leads, Gaskets, Screws, 4 Closure Plugs, Cast Mounting Lugs, Globe and Cast Guard
VXWG-12-C	½	200	Wall Mount Cross Feed with Socket with Leads, Gaskets, Screws, 4 Closure Plugs, Cast Mounting Lugs, Globe and Cast Guard
VXWG-22-C	¾	200	Wall Mount Cross Feed with Socket with Leads, Gaskets, Screws, 4 Closure Plugs, Cast Mounting Lugs, Globe and Cast Guard

Globes



CAT. NO.	MAX. WATT	DESCRIPTION
Glass		
VGL-01	100	Clear
VGLA-01	100	Amber
VGLB-01	100	Blue
VGLG-01	100	Green
VGLR-01	100	Red
VGLH-01	150	Clear, Heat Resistant
VGL-02	200	Clear
VGLR-02	200	Red
VGLH-02	300	Clear, Heat Resistant



LEXAN®		
VGLL-01	75	Clear Prismatic
VGLL-02	150	Clear Prismatic
VGLA-A1	75	Amber
VGLA-R1	75	Red

Not for use with guards.

NOTE: For upright mounting only. Caution: In ordering LEXAN® Globe, wattage is rated 75% of standard globe size (i.e. VGLL-02 is for use on 200-watt fixtures, but only rated for 150-watt lamps.)

Guards



CAT. NO.	MAX. WATT	DESCRIPTION
Wire		
VGW-01	100	Clamp-On Plated Steel Guards
VGW-02	200	Clamp-On Plated Steel Guards
Die Cast		
VGD-01	100	Die-Cast Aluminum Guards with Positive Locking Screws
VGD-02	200	Die-Cast Aluminum Guards with Positive Locking Screws

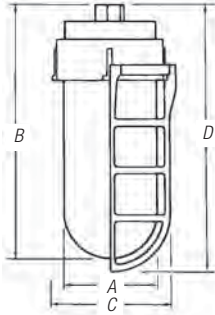
Vaportight Boxes and Covers



CAT. NO.	CONDUIT TAPPING (IN.)	DESCRIPTION
Boxes		
LVX-1	½	Box, 3½" Diameter, 1½" Deep, 5 Tapped Holes, 12.08 Cu. In. 4 Closure Plugs with Cast Mounting Lugs
LVX-2	¾	Box, 3½" Diameter, 1½" Deep, 5 Tapped Holes, 12.08 Cu. In. 4 Closure Plugs with Cast Mounting Lugs
Cover		
V-B	None	Blank Cover 3½" Diameter

Vaportight Lighting

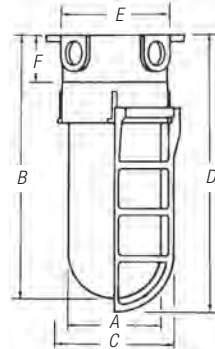
redodot and Carlon® Weatherproof Boxes, Covers and Conduit Bodies



Pendant Mount (VKG)

VKG

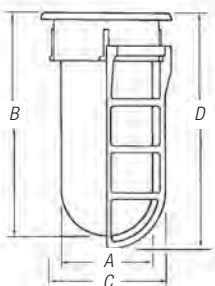
CAT. NO.	A (IN.)	B (IN.)	C (IN.)	D (IN.)
VKG-11	3 $\frac{3}{8}$	8 $\frac{5}{8}$		
VKG-21	3 $\frac{3}{8}$	8 $\frac{5}{8}$		
VKG-12	4 $\frac{1}{4}$	10 $\frac{1}{4}$		
VKG-22	4 $\frac{1}{4}$	10 $\frac{1}{4}$		
		C (IN.)	D (IN.)	
VKG-11-C	4 $\frac{1}{8}$	8 $\frac{1}{2}$		
VKG-21-C	4 $\frac{1}{8}$	8 $\frac{1}{2}$		
VKG-12-C	5 $\frac{1}{4}$	10 $\frac{3}{4}$		
VKG-22-C	5 $\frac{1}{4}$	10 $\frac{3}{4}$		



Ceiling Mount Cross Feed (VXG)

VXG

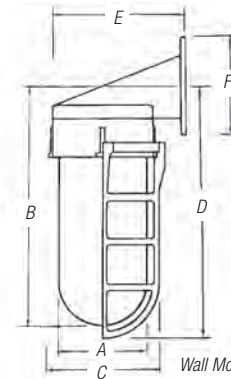
CAT. NO.	A (IN.)	B (IN.)	E (IN.)	F (IN.)
VXG-11	3 $\frac{3}{8}$	8 $\frac{1}{2}$	3 $\frac{1}{2}$	1 $\frac{1}{2}$
VXG-21	3 $\frac{3}{8}$	8 $\frac{1}{2}$	3 $\frac{1}{2}$	1 $\frac{1}{2}$
VXG-12	4 $\frac{1}{4}$	10 $\frac{3}{4}$	3 $\frac{1}{2}$	1 $\frac{1}{2}$
VXG-22	4 $\frac{1}{4}$	10 $\frac{3}{4}$	3 $\frac{1}{2}$	1 $\frac{1}{2}$
		C (IN.)	D (IN.)	
VXG-11-C	4 $\frac{1}{8}$	9 $\frac{1}{8}$		
VXG-21-C	4 $\frac{1}{8}$	9 $\frac{1}{8}$		
VXG-12-C	5 $\frac{1}{4}$	11 $\frac{1}{8}$		
VXG-22-C	5 $\frac{1}{4}$	11 $\frac{1}{8}$		



Ceiling Mount (VAG)

VAG

CAT. NO.	A (IN.)	B (IN.)	C (IN.)	D (IN.)
VAG-01	3 $\frac{3}{8}$	7 $\frac{1}{8}$		
VAG-02	4 $\frac{1}{4}$	9 $\frac{1}{4}$		
		C (IN.)	D (IN.)	
VAG-01-C	4 $\frac{1}{8}$	7 $\frac{1}{2}$		
VAG-02-C	5 $\frac{1}{4}$	9 $\frac{3}{8}$		

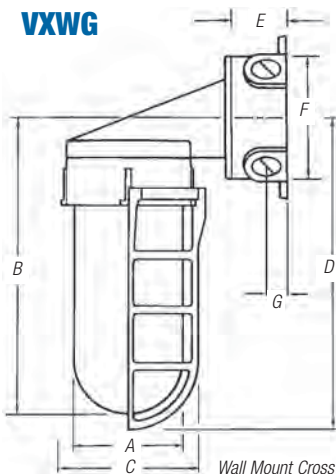


Wall Mount (VWG)

VWG

CAT. NO.	A (IN.)	B (IN.)	E (IN.)	F (IN.)
VWG-01	3 $\frac{3}{8}$	8 $\frac{1}{8}$	4 $\frac{1}{4}$	3 $\frac{1}{2}$
VWG-02	4 $\frac{1}{4}$	10 $\frac{3}{8}$	5 $\frac{1}{4}$	3 $\frac{1}{2}$
		C (IN.)	D (IN.)	
VWG-01-C	4 $\frac{1}{8}$	8 $\frac{1}{2}$		
VWG-02-C	5 $\frac{1}{4}$	10 $\frac{1}{2}$		

VXWG



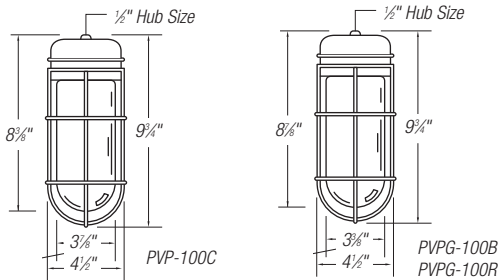
Wall Mount Cross Feed (VXWG)

CAT. NO.	DIMENSIONS (IN.)										
	A	B	C	D	E	F	G	H	I	J	CI
VXWG-11	3 $\frac{3}{8}$	8 $\frac{1}{8}$	—	—	1 $\frac{1}{2}$	3 $\frac{1}{2}$	—	—	—	—	—
VXWG-21	3 $\frac{3}{8}$	8 $\frac{1}{8}$	—	—	1 $\frac{1}{2}$	3 $\frac{1}{2}$	—	—	—	—	—
VXWG-12	4 $\frac{1}{4}$	10 $\frac{3}{8}$	—	—	1 $\frac{1}{2}$	3 $\frac{1}{2}$	—	—	—	—	—
VXWG-22	4 $\frac{1}{4}$	10 $\frac{3}{8}$	—	—	1 $\frac{1}{2}$	3 $\frac{1}{2}$	—	—	—	—	—
VXWG-11-C	3 $\frac{3}{8}$	8 $\frac{1}{8}$	4 $\frac{1}{8}$	8 $\frac{1}{2}$	1 $\frac{1}{2}$	3 $\frac{1}{2}$	—	—	—	—	—
VXWG-21-C	3 $\frac{3}{8}$	8 $\frac{1}{8}$	4 $\frac{1}{8}$	8 $\frac{1}{2}$	1 $\frac{1}{2}$	3 $\frac{1}{2}$	—	—	—	—	—
VXWG-12-C	4 $\frac{1}{4}$	10 $\frac{3}{8}$	5 $\frac{1}{8}$	10 $\frac{1}{8}$	1 $\frac{1}{2}$	3 $\frac{1}{2}$	—	—	—	—	—
VXWG-22-C	4 $\frac{1}{4}$	10 $\frac{3}{8}$	5 $\frac{1}{8}$	10 $\frac{1}{8}$	1 $\frac{1}{2}$	3 $\frac{1}{2}$	—	—	—	—	—
LVX-1	—	—	—	—	1 $\frac{1}{2}$	3 $\frac{1}{2}$	$\frac{5}{8}$	5	4 $\frac{1}{8}$	2 $\frac{3}{8}$	10.3
LVX-2	—	—	—	—	1 $\frac{1}{2}$	3 $\frac{1}{2}$	$\frac{5}{8}$	5	4 $\frac{1}{8}$	2 $\frac{3}{8}$	10.3

Red•Dot® Vaporproof Fixtures — UL Listed for Non-Explosive Vapors.

Pendant Fixtures

- Rugged aluminum die-cast construction
- Corrosion-resistant, natural cast finish
- All current-carrying components are copper or copper alloy porcelain socket
- Fixtures supplied with heat-resistant glass globes or high-impact LEXAN® globes
- Amber, clear, red and white LEXAN® globes can be ordered separately
- Mount with diffuser facing down



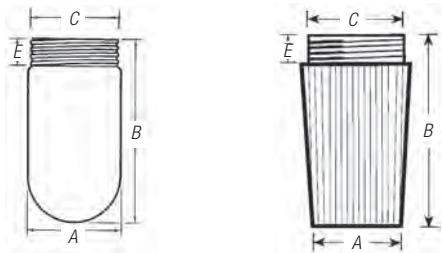
CAT. NO.	DESCRIPTION	MAX. WATTS	PACKAGING	
			BOX	STD. CTN.
PVP-100C	Fixture and Clear LEXAN® Globe	100	1	12
PVPG-100B	Fixture, Blue LEXAN® Globe, Guard	100	1	12
PVPG-100R	Fixture, Red LEXAN® Globe, Guard	100	1	12

UL Listed.

* CSA Certified LR-95792.

LEXAN® is a registered trademark of SABIC Innovative Plastics Company.

VGL



Threaded Glass Globe (VGL)

Threaded Glass Plastic Globe (VGL, VGLL)

CAT. NO.	A (IN.)	B (IN.)	C (IN.)	D (IN.)	E (IN.)	I.D (IN.)
VGL-01 SERIES	3 3/8	6 1/2	3 1/8	1	—	2 1/8
VGL-02 SERIES	4 3/8	8	4 1/8	1	—	3 1/8
VGLL-01	3 1/2	5 1/8	3	—	7/8	2 1/4
VGLL-02	4 1/2	8	4 3/8	—	7/8	3 1/4
VGLA-A1	3 1/2	5 1/8	3	—	7/8	2 1/4
VGLA-R1	3 1/2	5 1/8	3	—	7/8	2 1/4

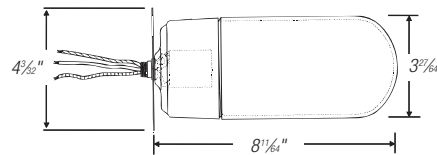
For Indoor Lighting.

Universal Economy Fixture

- Heavy-duty sheet metal construction
- Thermoset protective gray finish
- Up to 75-watt lamp
- Includes glass globes
- Mounts on 4" box
- 3 color-coded, prestripped, copper wire leads
- (2) 1/4" diameter mounting holes



BL-100



CAT. NO.	DESCRIPTION	MAX. WATTS	STD. CTN.
BL-100	Fixture and Glass Globe	75	10

Replacement Parts

CAT. NO.	DESCRIPTION	PACKAGING	
		BOX	STD. CTN.
Sockets			
R122	Socket for All Vapor-Proof Fixtures	—	250

VGD, VGW



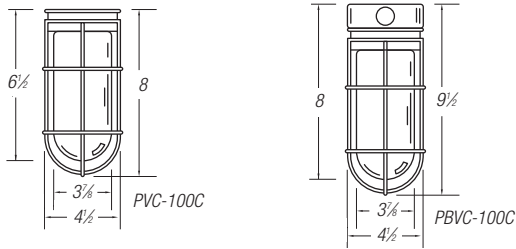
Guards (VGD, VGW)

CAT. NO.	A (IN.)	B (IN.)
VGD-01	4 1/8	7
VGD-02	5 1/8	8
VGW-01	4 1/8	6 3/4
VGW-02	5 1/8	8 3/4

redodot® and Carlon® Weatherproof Boxes, Covers and Conduit Bodies

Red•Dot® Vaporproof Fixtures —
UL Listed for Non-Explosive Vapors.

Surface Fixtures



- Rugged aluminum die-cast construction
- Corrosion-resistant, natural cast finish
- All current-carrying components are copper or copper alloy porcelain socket
- Fixtures supplied with heat-resistant glass globes or high-impact LEXAN® globes
- Amber, clear, red and white LEXAN® globes can be ordered separately
- Mount with diffuser facing down

CAT. NO.	DESCRIPTION	MAX. WATTS	PACKAGING	
			BOX	STD. CTN.
PVC-100C	Fixture and Clear LEXAN® Globe	100	1	12
PBVC-100C	Fixture, Box and Clear LEXAN® Globe	100	1	12

Fits all 3" and 4" Round or Octagon Boxes

* UL Listed E-77360.

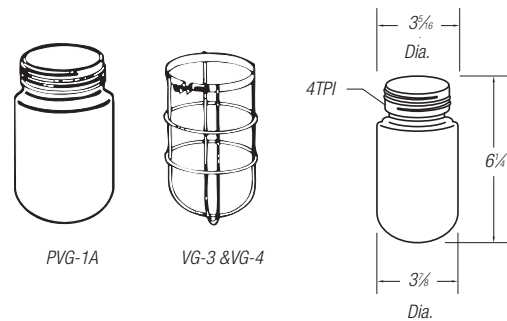
CSA Certified LR-95792.

LEXAN® is a registered trademark of SABIC Innovative Plastics Company.

Vaporproof Fixtures — Globes and Guards.

Vaporproof Fixture Globes and Guards Replacements

- Heat-resistant glass globes or high-impact LEXAN®
- Amber, clear, red and white LEXAN® globes can be ordered separately



CAT. NO.	DESCRIPTION	PACKAGING	
		BOX	STD. CTN.
PVG-1A*	Amber LEXAN® Globe for 100-Watt Fixtures	1	12
PVG-1C*	Clear LEXAN® Globe for 100-Watt Fixtures	1	12
PVG-1R*	Red LEXAN® Globe for 100-Watt Fixtures	1	12
PVG-1W*	White LEXAN® Globe for 100-Watt Fixtures	1	12
VG-3	Guard for 100-Watt Fixtures	1	12
VG-4	Guard for 200-Watt Fixtures	1	6

* UL Listed E-77360.

LEXAN® is a registered trademark of SABIC Innovative Plastics Company.

Rigid/Aluminum Conduit Bodies, Gaskets and Covers

Conduit Bodies, Covers and Gaskets

Applications:

- Junction for branch conduits — “A” Series bodies for Rigid and IMC conduit maintain a weather-resistant conduit system when used with covers and gaskets
- “B” Series bodies for thin wall conduit (EMT) saves cost of connector and labor in indoor applications
- Spacious, accessible wiring chamber provides a convenient location to pull conductors and make splices
- Aluminum conduit bodies can be used with steel rigid conduit — NEC® 346-1, and Steel EMT, NEC® 348-1

Features/Benefits:

- Copper-free* aluminum provides increased corrosion resistance
- Precision-cast and machined surfaces permit safer wire pulling
- Clean cover edges provide good gasket sealing
- Precision NPT threaded and set screw hubs enable trouble-free field installation for rigid, IMC or EMT conduit
- Retained deep-slotted stainless steel cover screws for faster installation
- Clear UL, CSA and cubic-content markings speed approval by inspectors

Standard Finish:

- Conduit bodies and die-cast covers: powder coated
- Stamped covers: Natural

Standard Materials:

- Conduit Bodies: Die-cast aluminum alloy A360 with less than .004 copper content (copper-free)
- Covers: (CV Series) Die-cast aluminum alloy A360 with less than .004 copper content (copper-free), and stainless steel screws
- Covers: (SCV Series) Stamped aluminum alloy with less than .004 copper content (copper-free), and stainless steel screws
- Gaskets: (GKN Series) Neoprene
- Gaskets: (GKV Series) Composition

Compliances:

- UL Listed
- CSA Certified
- Federal Spec. W-C-586
- NEC® Article 370-28

Sample Specifications:

- Conduit bodies shall be die-cast copper-free* aluminum alloy A360. All conduit stops shall be free of rough edges. Conduit bodies shall be finished with powder-coated paint. Conduit bodies shall be Red•Dot® Catalog No. _____

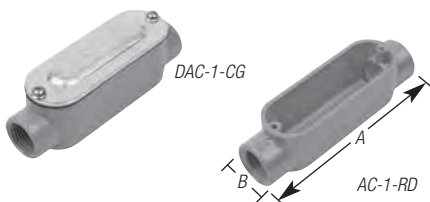
*Less than .004 copper content



Conduit Bodies, Covers and Gaskets — A Series

C Style

- Fittings, covers and gaskets are interchangeable with those produced by other leading manufacturers
- Finish: Powder-coated urethane



CAT. NO.	TRADE SIZE (IN.)	A (IN.)	B (IN.)	STD. CTN.
AC-1-RD	1/2	3/8	1 21/64	50
AC-2-RD	3/4	4/8	1 17/32	50
AC-3	1	5/8	1 3/4	25
AC-4-RD	1 1/4	7/4	2 1/2	10
AC-5	1 1/2	7 1/4	2 5/8	10
AC-6-RD	2	9 1/2	3 1/2	5
AC-7*	2 1/2	12 1/4	4 1/2	1
AC-8*	3	12 1/4	4 1/2	1
AC-9*	3 1/2	15	5 1/2	1
AC-10-RD*	4	15	5 1/2	1

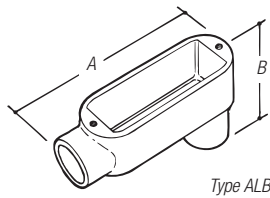
CAT. NO.	HUB SIZE (IN.)	STD. CTN.
D-PAK® *		
DAC-1-CG	1/2	12
DAC-2-CG	3/4	15
DAC-3-CG	1	8
DAC-4-CG	1 1/4	6
DAC-5-CG	1 1/2	5
DAC-6-CG	2	2
DAC-7-CG	2 1/2	2
DAC-8-CG	3	2
DAC-9-CG	3 1/2	2
DAC-10-CG	4	2

* Shipped with cover. Price includes cost of cover and body. UL File No. E-28688.

redodot® and Carlon® Weatherproof Boxes, Covers and Conduit Bodies

Conduit Bodies, Covers and Gaskets — A Series (continued)

LB Style



CAT. NO.	TRADE SIZE (IN.)	A (IN.)	B (IN.)	STD. CTN.
ALB-1	½	3⅞	2⅛	50
ALB-2	¾	4⅞	2⅛	50
ALB-3	1	5⅞	2¼	25
ALB-4	1¼	7¼	3⅞	10
ALB-5	1½	7¼	3⅞	10
ALB-6	2	9½	4½	5
ALB-7*	2½	12¼	5¼	1
ALB-8*	3	12¼	5¼	1
ALB-9*	3½	15	6⅞	1
ALB-10*	4	15	6⅞	1

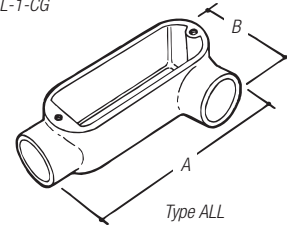
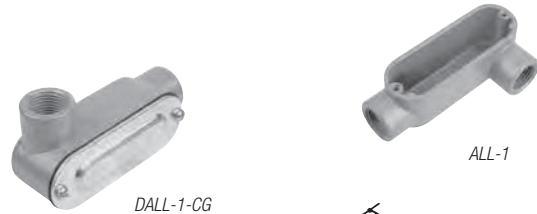
CAT. NO.	HUB SIZE (IN.)	STD. CTN.
D-PAK® *		
DALB-1-CG	½	25
DALB-2-CG	¾	16
DALB-3-CG	1	6
DALB-4-CG	1¼	5
DALB-5-C	1½	5
DALB-6-CG	2	2
DALB-7-CG	2½	2
DALB-8-CG	3	2
DALB-9-CG	3½	2
DALB-10-CG	4	2

* Shipped with cover. Price includes cost of cover and body.

UL File No. E-28688.

LL Style

- Die-cast copper-free aluminum construction
- Provide access for pulling, splicing and maintenance
- For rigid conduit/IMC applications
- UL Listed



CAT. NO.	TRADE SIZE (IN.)	A (IN.)	B (IN.)	STD. CTN.
ALL-1	½	3⅞	2	50
ALL-2	¾	4⅞	2⅛	50
ALL-3	1	5⅞	2½	25
ALL-4	1¼	7¼	3⅞	10
ALL-5	1½	7¼	3⅞	10
ALL-6	2	9½	3⅞	5
ALL-7*	2½	12¼	5¼	1
ALL-8*	3	12¼	5¼	1
ALL-9*	3½	15	6⅞	1
ALL-10*	4	15	6⅞	1

CAT. NO.	HUB SIZE (IN.)	STD. CTN.
D-PAK® *		
DALL-1-CG	½	12
DALL-2-CG	¾	15
DALL-3-CG	1	5
DALL-4-CG	1¼	4
DALL-5-CG	1½	5
DALL-6-CG	2	2
DALL-7-CG	2½	2
DALL-8-CG	3	2
DALL-9-CG	3½	2
DALL-10-CG	4	2

* Shipped with cover. Price includes cost of cover and body.

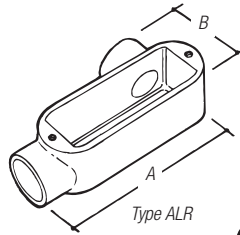
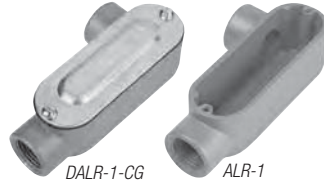
UL File No. E-28688.

Rigid/Aluminum Conduit Bodies, Gaskets and Covers

Conduit Bodies, Covers and Gaskets — A Series (continued)

LR Style

- Die-cast copper-free aluminum construction
- Provide access for pulling, splicing and maintenance
- For rigid conduit/IMC applications
- Fittings, covers and gaskets are interchangeable with those produced by other leading manufacturers
- Finish: Powder-coated urethane



CAT. NO.	TRADE SIZE (IN.)	A (IN.)	B (IN.)	STD. CTN.
ALR-1	½	3¾	2	50
ALR-2	¾	4¾	2½	50
ALR-3	1	5¾	2½	25
ALR-4	1¼	7¼	3¾	10
ALR-5	1½	7¼	3¾	10
ALR-6	2	9½	3¾	5
ALR-7*	2½	12¼	5½	1
ALR-8*	3	12¼	5½	1
ALR-9*	3½	15	6½	1
ALR-10*	4	15	6½	1

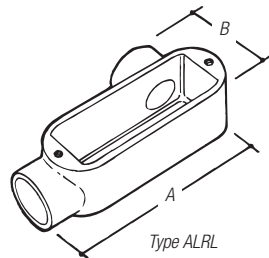
* Threaded and shipped with cover. Price includes cost of cover and body.

UL File No. E-28688.

CAT. NO.	HUB SIZE (IN.)	STD. CTN.
D-PAK® *		
DALR-1-CG	½	12
DALR-2-CG	¾	15
DALR-3-CG	1	5
DALR-4-CG	1¼	4
DALR-5-CG	1½	4
DALR-6-CG	2	2
DALR-7-CG	2½	2
DALR-8-CG	3	2
DALR-9-CG	3½	2
DALR-10-CG	4	2

UL Listed.

LRL Style

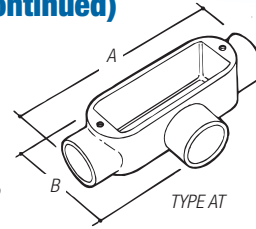


CAT. NO.	TRADE SIZE (IN.)	A (IN.)	B (IN.)	STD. CTN.
ALRL-1	½	3¾	2	50
ALRL-2	¾	4¾	2½	50
ALRL-3	1	5¾	2½	25
ALRL-4	1¼	7¼	3¾	10
ALRL-5	1½	7¼	3¾	10
ALRL-6	2	9½	3¾	5

Shipped with cover. Price includes cost of cover and body.

UL File No. E-28688.

T Style



CAT. NO.	TRADE SIZE (IN.)	A (IN.)	B (IN.)	STD. CTN.
AT-1	½	3¾	2½	50
AT-2	¾	4¾	2½	50
AT-3	1	5¾	2½	25
AT-4	1¼	7¼	3¾	10
AT-5	1½	7¼	3¾	10
AT-6	2	9½	4	5
AT-7*	2½	12¼	5½	1
AT-8*	3	12¼	5½	1
AT-9*	3½	15	6½	1
AT-10*	4	15	6½	1

CAT. NO.	HUB SIZE (IN.)	STD. CTN.
D-PAK® *		
DAT-1-CG	½	12
DAT-2-CG	¾	14
DAT-3-CG	1	5
DAT-4-CG	1¼	5
DAT-5-CG	1½	5
DAT-6-CG	2	2
DAT-7-CG	2½	2
DAT-8-CG	3	2
DAT-9-CG	3½	2
DAT-10-CG	4	2

* Shipped with cover. Price includes cost of cover and body.

UL File No. E-28688.

Dead End

- Retained stainless steel cover screws
- Cubic capacity UL and CSA clearly shown
- Smooth throats for easy wire pulling
- Ultra-high pressure die-cast copper-free aluminum
- UL Listed, CSA Certified



CAT. NO.	HUB SIZE (IN.)
AE-1	½
AE-2	¾

redodot® and Carlon® Weatherproof Boxes, Covers and Conduit Bodies

Corporate Office
Tel: 901.252.8000
800.816.7809
Fax: 901.252.1354

Customer Service
Tel: 800.816.7809
Fax: 800.816.7810

Technical Services
Tel: 888.862.3289
Fax: 901.252.1321

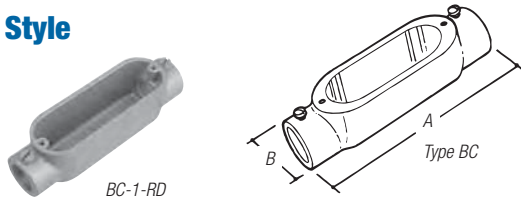
Tool Services
Tel: 800.284.8665

Thomas & Betts

www.tnb.com

Aluminum Conduit Bodies, Covers and Gaskets — B Series

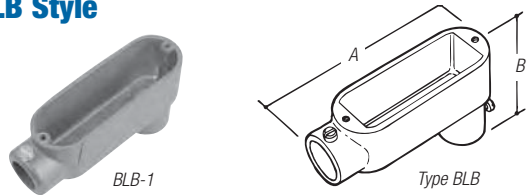
C Style



CAT. NO.	TRADE SIZE (IN.)	A (IN.)	B (IN.)	STD. CTN.
BC-1-RD	½	3⅞	1⅝ ₄	50
BC-2-RD	¾	4⅞	1⅞ ₃₂	50
BC-3	1	5⅞	1¾	25
BC-4	1¼	7⅞	2½	10
BC-5	1½	7⅞	2½	10
BC-6	2	9½	3⅞	5

UL File No. E-28688.

LB Style



CAT. NO.	TRADE SIZE (IN.)	A (IN.)	B (IN.)	STD. CTN.
BLB-1	½	3⅞	2⅞ ₁₆	50
BLB-2	¾	4⅞	2⅞ ₁₆	50
BLB-3	1	5⅞	2¾	25
BLB-4	1¼	7⅞	3⅞ ₁₆	10
BLB-5	1½	7⅞	3⅞ ₁₆	10
BLB-6	2	9½	4½	5
BLB-7*	2½	12¼	5¼	1
BLB-8*	3	12¼	5½	1
BLB-9*	3½	15	6⅞ ₁₆	1
BLB-10*	4	15	6⅞ ₁₆	1

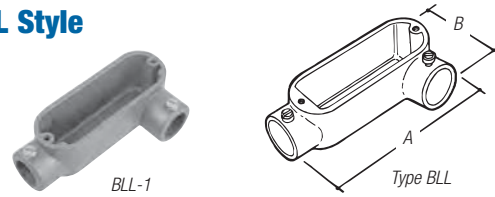
D-PAK® *

CAT. NO.	TRADE SIZE (IN.)	STD. CTN.
DBLB-1-C*	½	25
DBLB-2-C*	¾	16
DBLB-3-C*	1	6

* Threaded Hubs shipped with cover. Price includes cost of cover and body.

UL File No. E-28688.

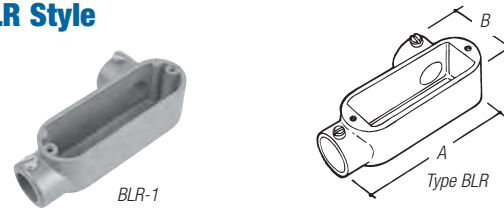
LL Style



CAT. NO.	TRADE SIZE (IN.)	A (IN.)	B (IN.)	STD. CTN.
BLL-1	½	3⅞	2	50
BLL-2	¾	4⅞	2⅞ ₁₆	50
BLL-3	1	5⅞	2½	25

UL File No. E-28688.

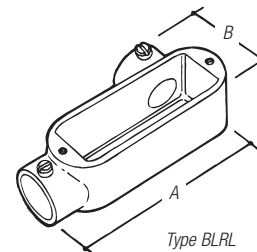
LR Style



CAT. NO.	TRADE SIZE (IN.)	A (IN.)	B (IN.)	STD. CTN.
BLR-1	½	3⅞	2	50
BLR-2	¾	4⅞	2⅞ ₁₆	50
BLR-3	1	5⅞	2½	25

UL File No. E-28688.

LRL Style



CAT. NO.	TRADE SIZE (IN.)	A (IN.)	B (IN.)	STD. CTN.
BLRL-1	½	3⅞	2	50
BLRL-2	¾	4⅞	2⅞ ₁₆	50
BLRL-3	1	5⅞	2½	25
BLRL-4	1¼	7⅞	3⅞	10
BLRL-5	1½	7⅞	3⅞	10
BLRL-6	2	9½	3⅞ ₁₆	5

Shipped with cover. Price includes cost of cover and body.

UL File No. E-28688.

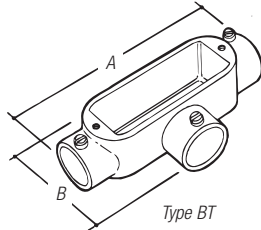
Rigid/Aluminum Conduit Bodies, Gaskets and Covers

Aluminum Conduit Bodies, Covers and Gaskets — B Series (continued)

T Style



BT-1



Type BT



CAT. NO.	TRADE SIZE (IN.)	A (IN.)	B (IN.)	STD. CTN.
BT-1	½	3⅞	2⅞	50
BT-2	¾	4⅞	2⅞	50
BT-3	1	5⅞	2⅞	25
BT-4	1¼	7¼	3⅞	10
BT-5	1½	7¼	3⅞	10
BT-6	2	9½	4	5
BT-7*	2½	12¼	5⅞	1
BT-8*	3	12¼	5⅞	1
BT-9*	3½	15	6⅞	1
BT-10*	4	15	6⅞	1

* Threaded Hubs shipped with cover. Price includes cost of cover and body.

UL File No. E-28688.

Aluminum Covers with Stainless Steel Screws

- SCV = Stamped aluminum
- CV = Die-cast aluminum
- Steel zinc-plated screws



CAT. NO.	CONDUIT SIZE (IN.)	STD. CTN.
CV-1	½	250
CV-2	¾	250
CV-3	1	250
CV-4	1¼-1½	50
CV-5	2	25
CV-6	2½-3	5
CV-7	3½-4	5
SCV-1	½	250
SCV-2	¾	250
SCV-3	1	250
SCV-4	1¼-1½	250
SCV-5	2	100

UL File No. E-28688.

Gaskets — Composition



Fiber Gasket

CAT. NO.	CONDUIT SIZE (IN.)	STD. CTN.
GKV-1	½	100
GKV-2	¾	50
GKV-3	1	25
GKV-4	1¼-1½	25
GKV-5	2	25
GKV-6	2½-3	5
GKV-7	3½-4	5

Gaskets — Neoprene

- Fiber or neoprene material



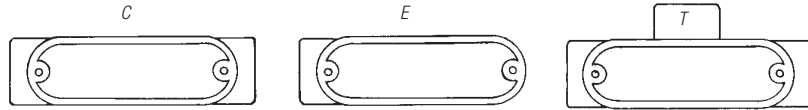
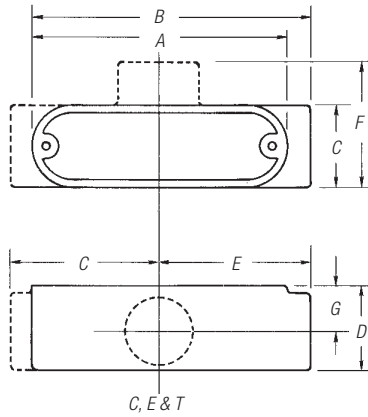
Neoprene Gasket

CAT. NO.	CONDUIT SIZE (IN.)	STD. CTN.
GKN-1	½	100
GKN-2	¾	50
GKN-3	1	25
GKN-4	1¼-1½	25
GKN-5	2	25
GKN-6	2½-3	5
GKN-7	3½-4	5

redodot® and Carlon® Weatherproof Boxes, Covers and Conduit Bodies

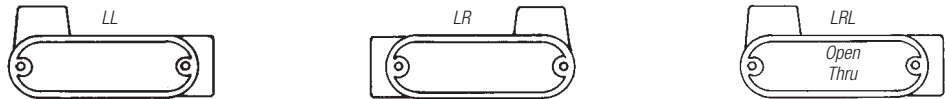
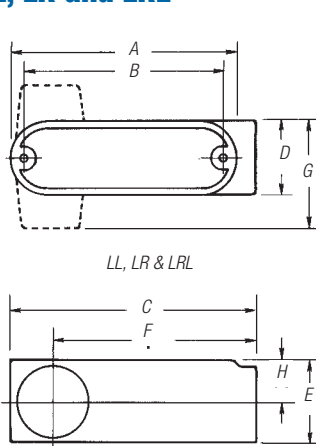
Rigid/Aluminum Conduit Bodies, Gaskets and Covers

C, E and T



SIZE (IN.)	DIMENSIONS (IN.)								CI
	A	B	C	D	E	F	G		
1/2	3 3/8	4 1/8	1	1 1/8	2 1/2	2 1/16	1 1/16	4.3	
3/4	4 1/8	5 1/8	1 1/32	1 1/8	2 5/8	2 1/32	1 5/16	7.3	
1	5 1/8	5 15/16	1 1/4	1 1/8	3 1/2	2 3/8	1	11.8	
1 1/4	7 1/4	7 1/8	2 1/2	2 1/4	4 1/8	3 17/32	1 1/8	32.0	
1 1/2	7 1/4	7 1/8	2 1/2	2 1/4	4 1/8	3 17/32	1 1/2	32.0	
2	9 1/2	10 1/8	3 1/8	3 1/8	5 1/2	4	1	69.5	
2 1/2	12 1/4	13	4 1/2	4 1/2	6 1/8	5 5/8	2 1/16	190.0	
3	12 1/4	13	4 1/2	4 1/2	6 1/8	5 5/8	2 1/16	190.0	
3 1/2	15	16 1/8	5 1/2	5 1/8	8 1/8	6 1/8	3	366.0	
4	15	16 1/8	5 1/2	5 1/8	8 1/8	6 1/8	3	366.0	

LL, LR and LRL



SIZE (IN.)	DIMENSIONS (IN.)										LRL STYLE ONLY	
	A	B	C	D	E	F	G	H	CI	CI	ONLY	
1/2	3 3/8	3 1/2	4 3/16	1 1/16	1 1/8	3 3/16	2	25/32	4.3	4.8	—	
3/4	4 1/8	4 1/8	5 1/8	1 1/32	1 1/8	4 1/8	2 1/16	7/8	7.3	7.5	—	
1	5 1/8	4 1/8	5 1/8	1 1/4	1 1/8	4 1/8	2 1/2	1	11.8	12.5	—	
1 1/4	7 1/4	6 1/2	7 1/8	2 1/2	2 1/4	6 1/8	3 1/8	1 1/2	32.0	36.5	—	
1 1/2	7 1/4	6 1/2	7 1/8	2 1/2	2 1/4	6 1/8	3 1/8	1 1/2	32.0	36.5	—	
2	9 1/2	8 1/8	10 1/8	3 1/8	3 1/8	8 1/8	3 1/8	1 15/16	69.5	73.8	—	
2 1/2	12 1/4	11 1/4	13	4 1/2	4 1/2	10 1/4	5 1/8	2 1/8	190.0	—	—	
3	12 1/4	11 1/4	13	4 1/2	4 1/2	10 1/4	5 1/8	2 1/8	190.0	—	—	
3 1/2	15	14 1/8	16 1/4	5 1/2	5 1/2	12 1/4	6 1/2	3	366.0	—	—	
4	15	14 1/8	16 1/4	5 1/2	5 1/2	12 1/4	6 1/2	3	366.0	—	—	

LB

SIZE (IN.)	DIMENSIONS (IN.)							CI
	A	B	C	D	E	F		
1/2	3 3/8	4 1/2	1 1/8	1 1/8	3 1/2	2 1/16	4.3	
3/4	4 1/8	5 1/8	1 1/32	1 1/8	4 1/4	2 1/16	7.3	
1	5 1/8	5 15/16	1 1/4	1 1/8	4 15/16	2 3/4	11.8	
1 1/4	7 1/4	7 1/8	2 1/2	2 1/4	6 1/8	3 3/16	32.0	
1 1/2	7 1/4	7 1/8	2 1/2	2 1/4	6 1/8	3 3/16	32.0	
2	9 1/2	9 1/8	3 1/8	3 1/8	8	4 1/2	69.5	
2 1/2	12 1/4	13	4 1/2	3 3/4	10 3/32	5 1/4	190.0	
3	12 1/4	13	4 1/2	4 1/2	10 1/2	5 1/2	190.0	
3 1/2	15	16 1/8	5 1/2	5 1/8	13 1/2	6 1/16	366.0	
4	15	16 1/8	5 1/2	5 1/8	13 1/2	6 1/16	366.0	

Conduit Body Wiring Table* — Style of Fitting

TRADE SIZE (IN.)	LB	C	T	LL, LR, LRL
3/4	#6	#6	#6	#6
1	#4	#4	#4	#4
1 1/4	#2	#2	#2	#2
1 1/2	1/0	1/0	#1	1/0
2	4/0	2/0	1/0	4/0
2 1/2	300 kcmil	250 kcmil	2/0	300 kcmil
3	400 kcmil	250 kcmil	2/0	500 kcmil
3 1/2	500 kcmil	350 kcmil	250 kcmil	500 kcmil
4	500 kcmil	350 kcmil	250 kcmil	500 kcmil

*The maximum number and size of wire that can be safely pulled is based on three type-XHHW wires or equal.

Mogul Pulling Elbow/Service Entrance Bodies

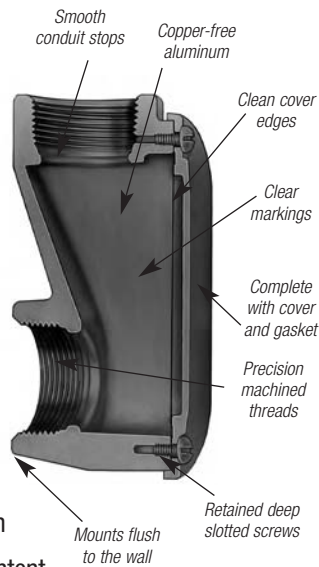
Mogul Pulling Elbow/Service Entrance Bodies

Applications:

- Raintight junction for bringing electrical service into a location
- Accessible wiring chamber provides a convenient location to pull conductors and make splices

Features/Benefits:

- Copper-free* aluminum provides increased corrosion resistance
- Precision-cast and machined surfaces permit safer wire pulling
- Clean cover edges provide good gasket sealing
- Precision NPT threaded hubs enable trouble-free field installation for rigid and IMC conduit
- Retained deep-slotted stainless steel cover screws for faster installation
- Clear UL, CSA and cubic content markings speed approval by inspectors



Standard Materials:

- Service Entrance Bodies: Die-cast aluminum alloy A360 with less than .004 copper content (copper-free)
- Covers ½" and ¾": Stamped aluminum alloy and stainless steel screws
- Covers 1" through 4": Die-cast aluminum alloy A360 with less than .004 copper content (copper-free) and stainless steel screws
- Gaskets: Composition

Standard Finish:

- Powder-coated gray

Compliances:

- UL Listed
- CSA Certified
- Federal Spec. W-C-586
- NEC® Article 370-5 and 370-28

Sample Specifications:

- Service Entrance Fittings shall be die-cast copper-free* aluminum alloy A360. All conduit stops shall be free of rough edges. Service Entrance Fittings shall be finished with aluminum lacquer. Service Entrance Fittings shall be Red•Dot® Catalog No. _____

*Less than .004 copper content



ASLB-XL



ASLB-1

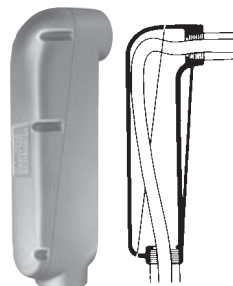
Bodies with Covers and Gaskets

Spacious, accessible wiring chamber for pulling conductors, making splices and bringing electrical service into a location.

- Dome cover — extra bending room
- Deep-slotted stainless steel cover screws
- "I" beam construction adds strength
- Smooth throats for easy wire pulling
- Extra wiring room
- Meets NEC® Article 370-28
- Ultra-high pressure die-cast aluminum
- UL Listed, CSA Certified
- Copper-free aluminum, less than .004 copper content



MALB-6



CAT. NO.	HUB SIZE (IN.)	COVER ONLY
MALB-3	1	MALB34CV
MALB-4	1¼	MALB34CV
MALB-5	1½	MALB-56CV
MALB-6	2	MALB-56CV
MALB-7	2½	MALB-78CV
MALB-8	3	MALB-78CV
MALB-9	3½	MALB-90CV
MALB-10	4	MALB-90CV

Composition Gasket



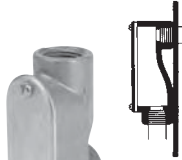
CAT. NO.	HUB SIZE (IN.)
MGKV-4	1 or 1¼
MGKV-5	1½ or 2
MGKV-6	2½ or 3
MGKV-7	3½ or 4

Mogul Pulling Elbow/Service Entrance Bodies

½"-2" Bodies with Covers and Gaskets

Accessible junctions for bringing electrical service into a location.

- Mounts flush to wall
- Standard and extra-long configurations
- Retained deep-slotted stainless steel cover screws
- Smooth throats for easy wire pulling
- Ultra-high pressure die-cast aluminum
- Meets NEC® Article 370-28
- UL Listed, CSA Certified
- Copper-free aluminum, less than .004 copper content



ASLB-1



DASLB-1

CAT. NO.	HUB SIZE (IN.)	COVER ONLY
ASLB-1	½	ASLB1CV
ASLB-2	¾	ASLB2CV
ASLB-3	1	ASLB3CV
ASLB-4	1¼	ASLB4CV
ASLB-5	1½	ASLB5CV
ASLB-6	2	ASLB6CV

D-PAK® *

CAT. NO.	HUB SIZE (IN.)
DASLB-1	½
DASLB-2	¾
DASLB-3	1

2½"-4" Bodies with Covers and Gaskets



ASLB

SALB

CAT. NO.	HUB SIZE (IN.)
SALB-7	2½
SALB-8	3
SALB-9	3½
SALB-10	4

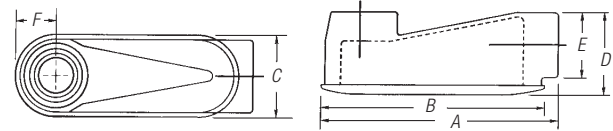
Extra-Long Bodies with Covers and Gaskets

CAT. NO.	HUB SIZE (IN.)	COVER ONLY
ASLB-XL4	1¼	ASLBXL4CV*
ASLB-XL6	2	ASLBXL6CV*

NOTE: Raintight when used with appropriate Red•Dot® covers.

* Cover only.

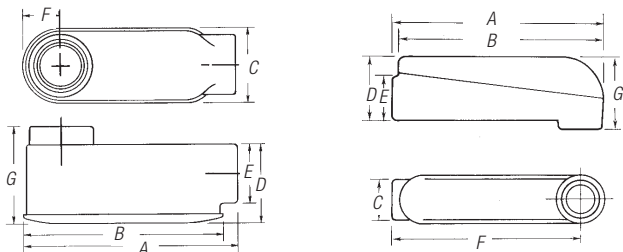
ASLB and ASLB-XL



ASLB & ASLB-XL

SIZE (IN.)	DIMENSIONS (IN.)						
	A	B	C	D	E	F	CI
ASLB							
½	3 ¹ / ₁₆	2¼	1¼	1 ¹ / ₁₆	1 ¹ / ₈	1 ¹ / ₁₆	2.0
¾	3 ⁵ / ₁₆	3¼	1½	1¼	1 ³ / ₈	¾	3.0
1	4¼	3 ³ / ₈	1¾	2 ¹ / ₁₆	1¾	1 ¹ / ₁₆	5.5
1¼	5½	5¼	2 ³ / ₈	3	2 ¹ / ₁₆	1¼	13.0
1½	6¼	6	2 ¹ / ₁₆	3¼	2 ¹ / ₁₆	1½	18.8
2	6¾	6½	3 ³ / ₈	4	2 ³ / ₈	1 ³ / ₈	38.8
ASLB-XL							
1¼	8	7½	2½	2¼	2 ¹ / ₃₂	1 ¹ / ₁₆	24.5
2	9 ¹ / ₁₆	9¼	3 ³ / ₈	3¼	2 ¹ / ₁₆	1 ³ / ₈	58.0

SALB and MALB



SALB

MALB

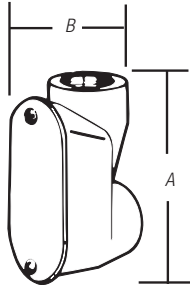
SIZE (IN.)	DIMENSIONS (IN.)							
	A	B	C	D	E	F	G	CI
SALB								
2½	13	12 ⁵ / ₈	4 ¹ / ₁₆	4½	3 ³ / ₈	2¼	5 ⁵ / ₈	190
3	13	12 ⁵ / ₈	4½	5¼	4 ¹ / ₈	2 ¹ / ₁₆	6 ¹ / ₁₆	190
3½	16½	15 ⁵ / ₈	5½	6¼	5 ¹ / ₈	2¼	7 ¹ / ₁₆	366
4	16½	15 ⁵ / ₈	5½	6¼	5 ¹ / ₈	2¼	7 ¹ / ₁₆	366
MALB								
1	9 ⁹ / ₁₆	9 ¹ / ₁₆	2½	2¼	2 ¹ / ₁₆	8½	3 ³ / ₈	40
1¼	9 ⁹ / ₁₆	9 ¹ / ₁₆	2½	2¼	2 ¹ / ₁₆	8½	3 ³ / ₈	40
1½	14 ¹⁷ / ₃₂	14¼	2¼	4	2 ¹ / ₁₆	13	5 ¹ / ₃₂	128
2	14 ¹⁷ / ₃₂	14¼	2¼	4	2 ¹ / ₁₆	13	5 ¹ / ₃₂	128
2½	21 ¹⁷ / ₃₂	21 ¹ / ₃₂	4½	5 ⁵ / ₈	4 ¹ / ₈	18	7 ² / ₃₂	398
3	21 ¹⁷ / ₃₂	21 ¹ / ₃₂	4½	5 ⁵ / ₈	4 ¹ / ₈	18	7 ² / ₃₂	398
3½	28 ⁷ / ₈	28 ¹ / ₃₂	5½	6½	5 ⁵ / ₈	24	9 ³ / ₃₂	766.7
4	28 ⁷ / ₈	28 ¹ / ₃₂	5½	6½	5 ⁵ / ₈	24	9 ³ / ₃₂	766.7

Service Entrance Fittings

Service Entrance Fittings

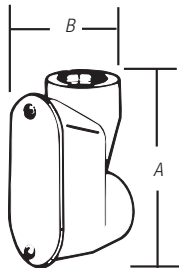


DASLB-1



CAT. NO.	TRADE SIZE (IN.)	A (IN.)	B (IN.)	STD. CTN.
ASLB-1	1/2	3 3/16	1 1/16	50
ASLB-2	3/4	3 3/8	1 3/4	50
ASLB-3	1	4 1/4	2 3/16	25
ASLB-4	1 1/4	5 1/2	3	10
ASLB-5	1 1/2	6 1/4	3 3/4	10
ASLB-6	2	6 3/4	4	5
DASLB-1	1/2	3 3/16	1 1/16	24
DASLB-2	3/4	3 3/8	1 3/4	20
DASLB-3	1	4 1/4	2 3/16	8

Service Entrance Fittings — Standard 2 1/2"–4"



TYPE LB



CAT. NO.	TRADE SIZE (IN.)	A (IN.)	B (IN.)	STD. CTN.
SALB-7	2 1/2	3 3/16	1 1/16	50
SALB-8	3	3 3/8	1 3/4	50
SALB-9	3 1/2	4 1/4	2 3/16	25
SALB-10	4	5 1/2	3	10

Zinc Concrete Slab Inserts, Elbows and Plugs

Zinc Concrete Slab Inserts, Elbows and Plugs



Applications:

- Permits in-slab ceiling drops and floor mounts in poured concrete
- Provides flush threaded conduit hub for mounting, pulling and future access to conduit systems
- Design permits prefabrication of in-slab conduit system

Features/Benefits:

- Flush design leaves no broken or bent stubs for easy removal of undamaged forms
- Flush design permits simplified in-slab work
- Flush design leaves a neat, uncluttered job
- Offered in straight ES configuration for straight-through conduit runs and mounting of floor boxes in slabs over 6" thick
- Offered in ESL configuration to eliminate bending of conduit in slabs over 4" thick
- Precision-cast and machined surfaces permit safer wire pulling
- ZAMAK 3 Zinc can be embedded in concrete

Standard Material:

- Die-cast zinc alloy ZAMAK 3. Certified by the Certified Zinc Alloy Plan (CZAP)

Standard Finish:

- Natural

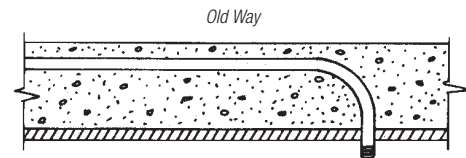
Compliances:

- UL Listed
- CSA Certified

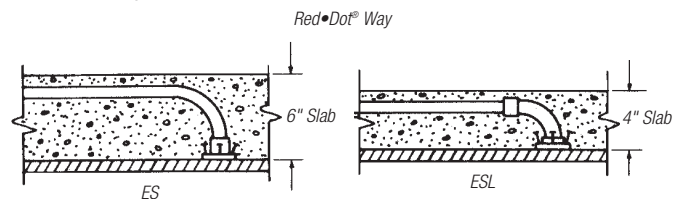
Sample Specifications:

- Concrete Slab Inserts shall be die-cast Zinc Alloy* ZAMAK 3. All conduit stops shall be coined and free of rough edges. Service Entrance Fittings shall be Red•Dot® Catalog No. _____

* Certified by the American Die Casting Institute



Conduit running in a cement slab is bent 90° to run through a hole drilled in the form. Drilling takes time and damages the form. Stripping form often damages conduit stubs. Varying length of stubs requires individual measuring and cutting of conduit drops.

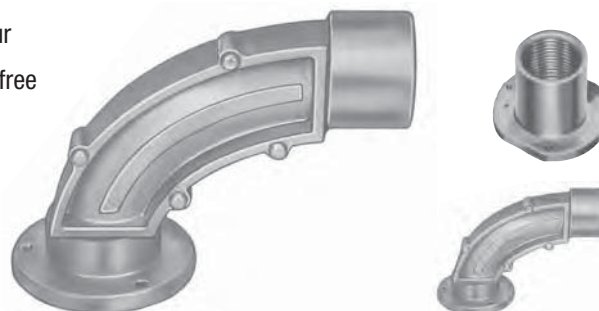


Conduit running in a cement slab is attached to a 90° concrete slab insert or conduit is bent 90° and is threaded to a straight insert. Nail or screw fitting to wood or metal forms. After concrete is poured and forms stripped, conduit drops quickly into fittings from floor below. Drops are easily measured from ceiling line to switch or outlet height and cut in uniform lengths.

Threaded Rigid/IMC Conduit Inserts

Concrete slab inserts permit in-slab ceiling drops and floor mounts in poured concrete.

- For Rigid and IMC
- Slab insert is nailed to form prior to pour
- Removable seal keeps threads cement free
- ESL eliminates:
 - Bends in 4" concrete slabs
 - Damage to form
 - Cutting off conduit stubs
- UL Listed, CSA Certified



CAT. NO.	HUB SIZE (IN.)
Straight	
ES-1	1/2
ES-2	3/4
ES-3	1
90°	
ESL-1	1/2
ESL-2	3/4
ESL-3	1

Zinc Concrete Slab Inserts, Elbows and Plugs

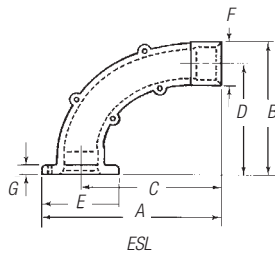
Elbows and Plugs

Female-to-Female Aluminum Elbows



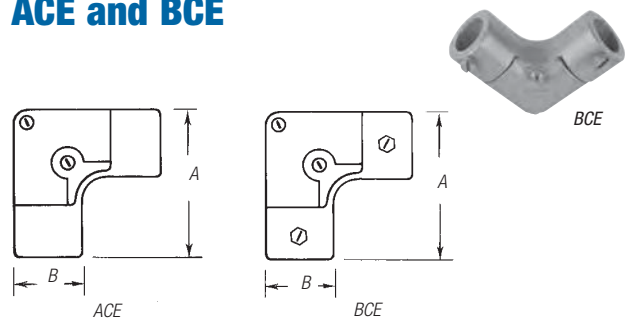
CAT. NO.	CAT. NO.	HUB SIZE (IN.)
Corner Rigid IMC		
ACE-1	BCE-1	½
ACE-2	BCE-2	¾
Pulling Rigid IMC		
APEF-1	BPEF-1	½
APEF-2	BPEF-2	¾

ESL



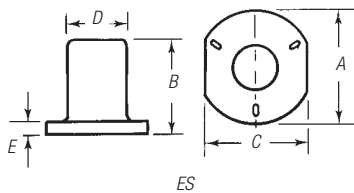
CAT. NO.	SIZE (IN.)	DIMENSIONS (IN.)						
		A	B	C	D	E	F	G
ESL-1	½	4 ² / ₃₂	3 ⁴⁵ / ₆₄	3 ²⁹ / ₃₂	3 ³ / ₁₆	1 ¹ / ₈	1 ¹ / ₃₂	¼
ESL-2	¾	5 ¹¹ / ₁₆	3 ²³ / ₃₂	4 ¹ / ₈	3 ³ / ₃₂	2 ¹ / ₈	1 ¹ / ₄	¼
ESL-3	1	5 ⁵ / ₃₂	3 ³ / ₄	3 ¹⁵ / ₁₆	2 ⁶³ / ₆₄	2 ¹ / ₁₆	1 ¹¹ / ₃₂	¼

ACE and BCE



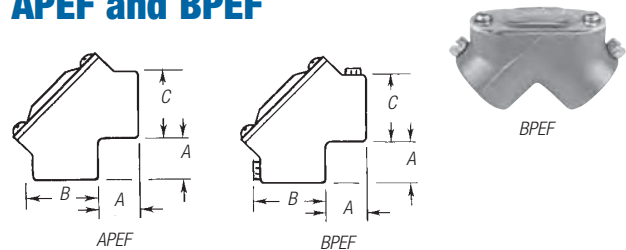
SIZE (IN.)	DIMENSIONS (IN.)	
	A	B
½	2 ³ / ₈	1 ¹ / ₈
¾	2 ²¹ / ₃₂	1 ⁵ / ₁₆

ES



CAT. NO.	SIZE (IN.)	DIMENSIONS (IN.)				
		A	B	C	D	E
ES-1	½	1 ¹⁵ / ₁₆	1 ¹ / ₁₆	1 ²³ / ₃₂	1 ¹ / ₃₂	¼
ES-2	¾	2 ¹¹ / ₆₄	1 ⁵ / ₈	1 ³¹ / ₃₂	1 ¹ / ₄	¼
ES-3	1	2 ⁹ / ₁₆	2	2 ⁵ / ₁₆	1 ¹⁷ / ₃₂	¼

APEF and BPEF



SIZE (IN.)	DIMENSIONS (IN.)		
	A	B	C
½	1 ¹ / ₁₆	½	1 ¹ / ₈
¾	1 ¹ / ₁₆	¾	1 ²³ / ₆₄

redodot® and Carlon® Weatherproof Boxes, Covers and Conduit Bodies

Thomas & Betts

BUY AMERICAN

***Certificates of Compliance
are now available online for
the American Recovery and
Reinvestment Act of 2009.***

- ★ Determine whether a T&B product meets the Buy American requirements of the ARRA.
- ★ There are three ways to search for compliance information:
 1. Enter a catalog number
 2. Copy and paste a list of catalog numbers
 3. Upload an entire spreadsheet of catalog numbers
- ★ Print a Certificate of Compliance on the spot!



Three easy steps to access the site:

1. Go to www.tnb.com
2. Click the Electrical World icon
3. Click the "ARRA Stimulus" link from the "Subject Index" menu



Thomas & Betts

H-66

www.tnb.com

Corporate Office
Tel: 901.252.8000
800.816.7809
Fax: 901.252.1354

Customer Service
Tel: 800.816.7809
Fax: 800.816.7810

Technical Services
Tel: 888.862.3289
Fax: 901.252.1321

Tool Services
Tel: 800.284.8665