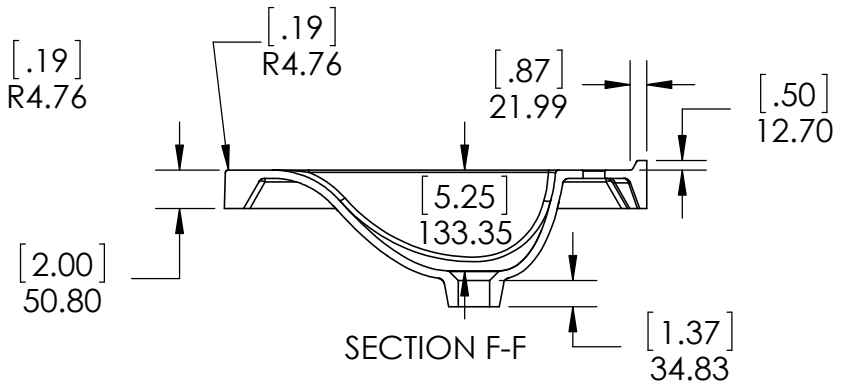
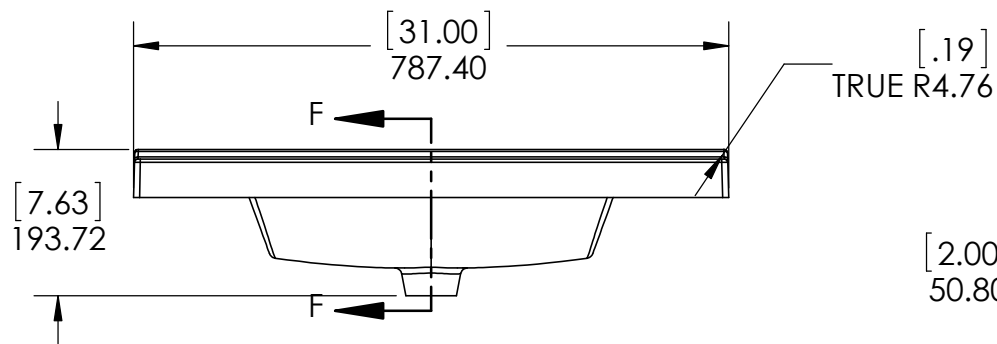
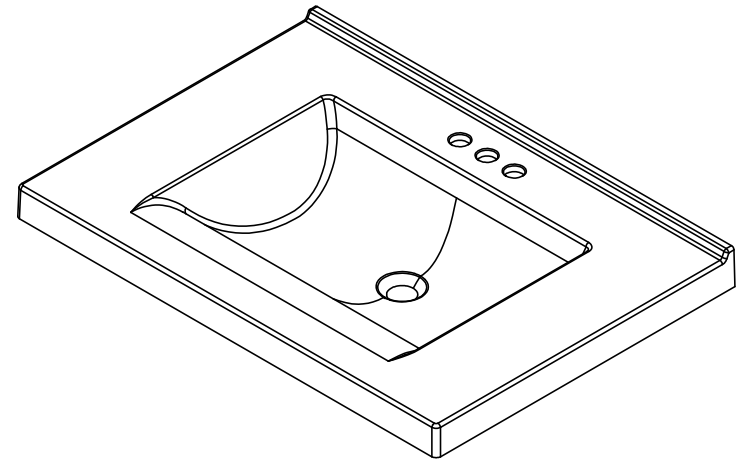
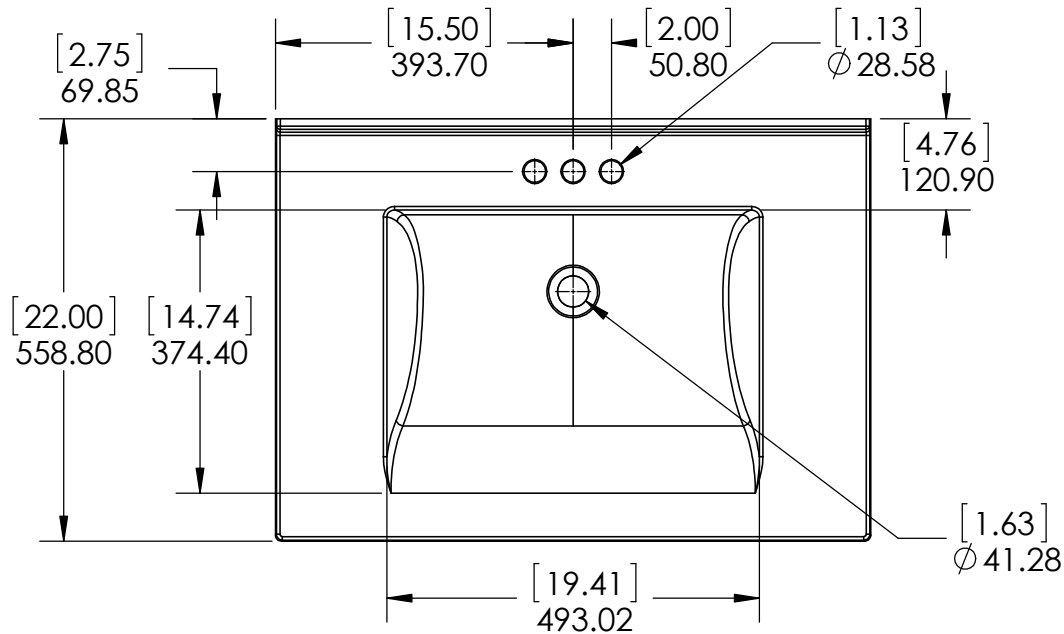



DRAWING TYPE	ITEM ID	ITEM DESCRIPTION	TECHNOLOGIES	DRAWING STATUS
Finish Good	HU3122R-WH	Vtop Wave 31 x 22 4 in	AB Composite	Ready for production
Finish Good	HU31R-WH	Glacier Bay in. Cultured Marble Vanity Top - White	AB Composite	Ready for production

REV	ECO #	DESCRIPTION	REV'D BY DATE	CHK'D BY DATE	APRV'D BY DATE
1		New Design	4/01/16	4/01/16	4/01/16
2		New item, Online	2/06/18	2/06/18	2/06/18

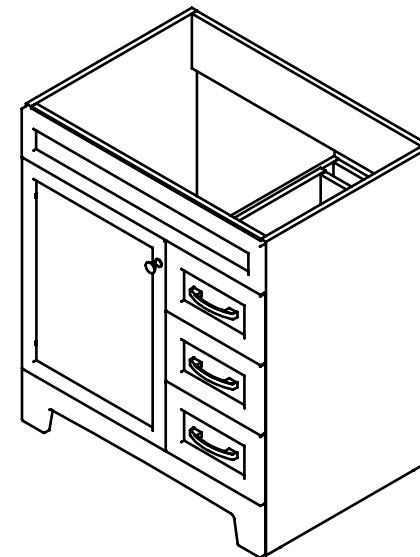
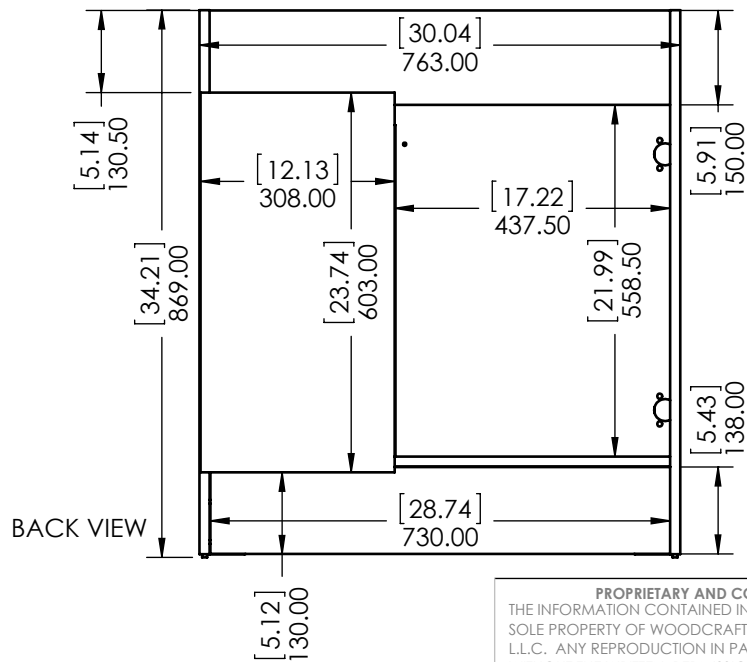
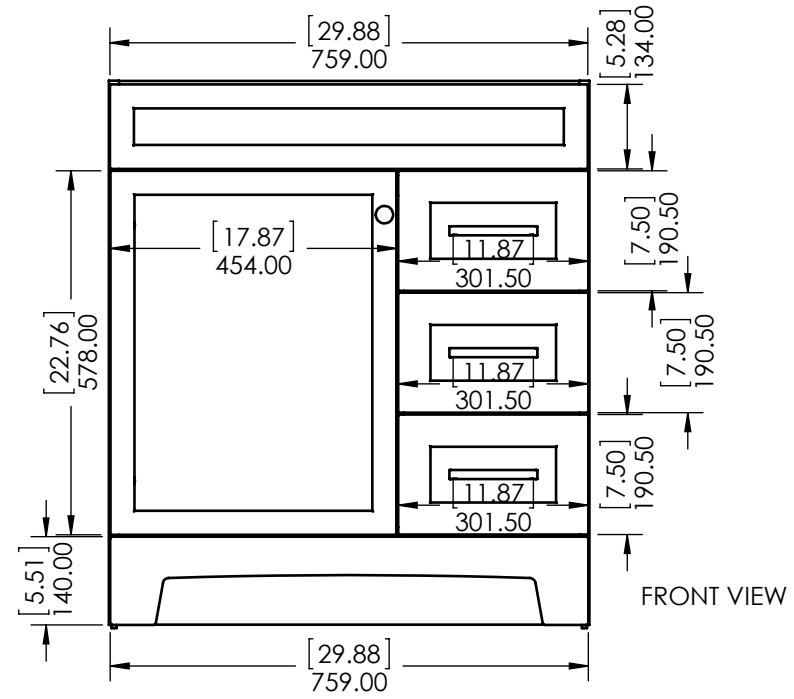
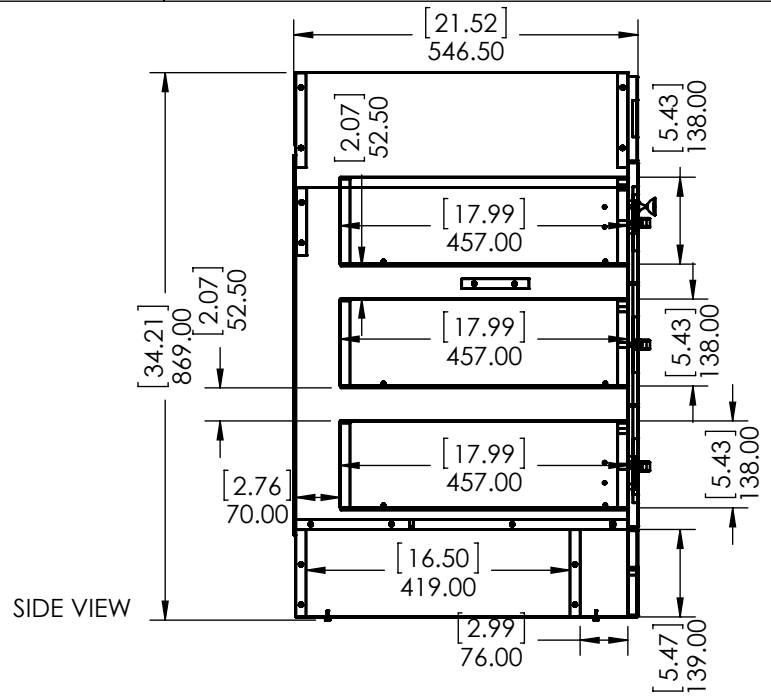


Estimated Weight: 16.5kg

PROPRIETARY AND CONFIDENTIAL		UNLESS OTHERWISE SPECIFIED		NAME		DATE	
THE INFORMATION CONTAINED IN THIS DRAWING IS THE SOLE PROPERTY OF WOODCRAFTERS. ANY REPRODUCTION IN PART OR AS A WHOLE WITHOUT THE WRITTEN PERMISSION OF WOODCRAFTERS IS PROHIBITED.		DIMENSIONS ARE IN MM. AND (INCHES) TOLERANCES ARE + 0.125 [3.175] - 0.125 [-3.175] SCALE:1:10		DRAWN	E. Sandoval	4/01/16	
				CHECKED	O. Razo	2/06/18	
				ENG APPR.	V. Sanchez	2/06/18	
				MFG APPR.	C. Leal	2/06/18	
				SIZE	DWG. NO.	SHEET 1 OF 1	REV: 1
				A	Vtop Wave 31x22		

ITEM ID	DESCRIPTION
TB3021-CT	Thornbriar 30in x 21in D Vanity in Cement
TB3021-WH	Thornbriar 30in x 21in D Vanity in White

REV	ECO#	DESCRIPTION	REV'D BY DATE	CHK'D BY DATE	APRV'D BY DATE
0		New Release	IASV 5/1/17	IASV 5/1/17	IASV 5/1/17



PROPRIETARY AND CONFIDENTIAL
 THE INFORMATION CONTAINED IN THIS DRAWING IS THE SOLE PROPERTY OF WOODCRAFTERS HOME PRODUCTS L.L.C. ANY REPRODUCTION IN PART OR AS A WHOLE WITHOUT THE WRITTEN PERMISSION OF WOODCRAFTERS HOME PRODUCTS L.L.C. IS PROHIBITED.

UNLESS OTHERWISE SPECIFIED
 DIMENSIONS ARE IN mm and [inches] AND TOLERANCES ARE +/- 1.0 [0.04]

DRAWN BY:	IASV	5/1/17
CHECKED BY:	IASV	5/1/17
APPROVED BY:	IASV	5/1/17
DO NOT SCALE DRAWING	SCALE: 1:10	SIZE: A

TITLE:	THORNBRIAR 30" ASSEMBLY		
PART NO:	PAGE	1 OF 1	REV: 0

