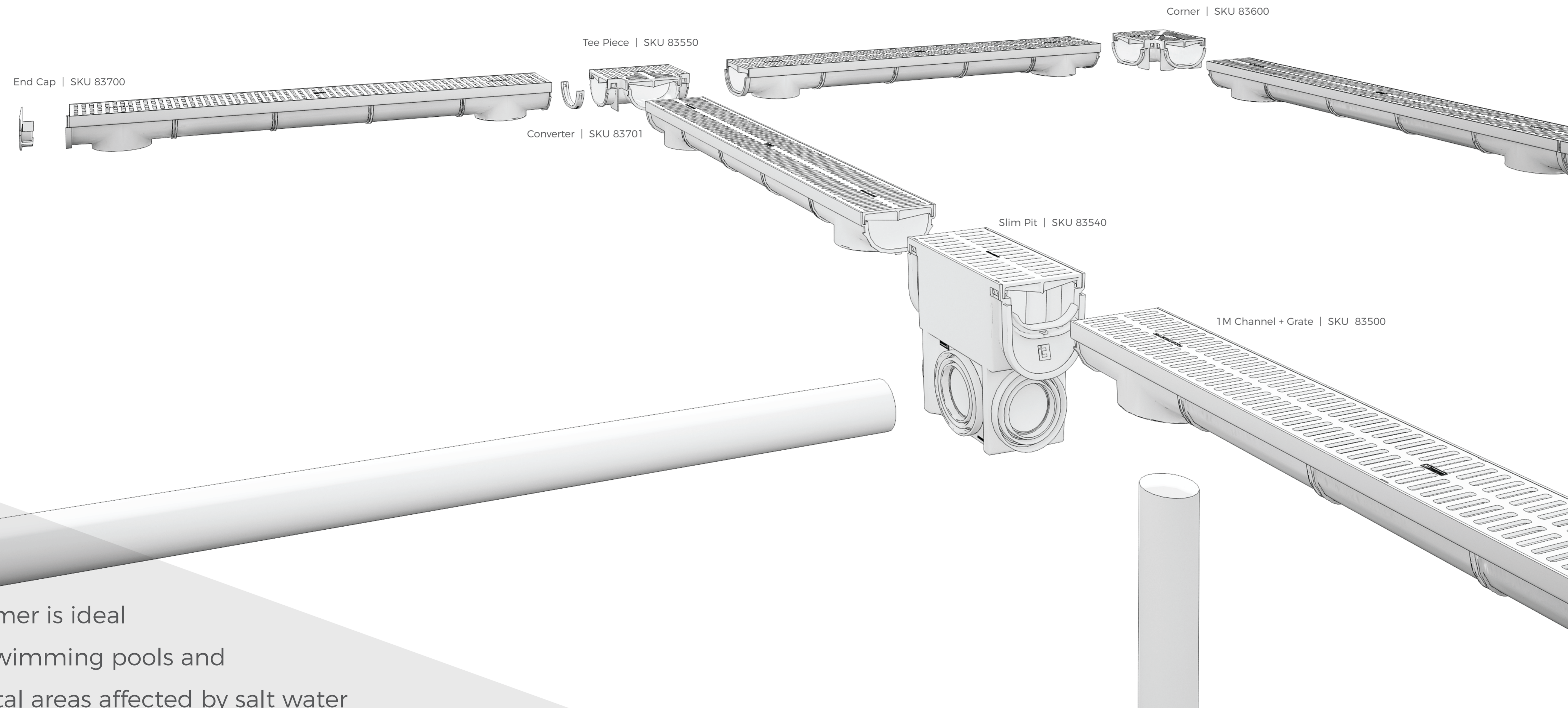


A GUIDE TO
COMPACT SURFACE WATER DRAINAGE SYSTEM



Polymer is ideal for swimming pools and coastal areas affected by salt water

Features + Benefits

- 4 Ton Vehicle Rating when set in concrete
- 1 metre lengths easily join together and with other components by simply clicking together
- Black Polymer Grate and Channel made from tough, recycled UV stabilised polymer
- Easy access to remove grates by unclipping at connection points using a flat head screwdriver
- 8 Inch paver-length segments moulded into channel, allowing for easy cutting and rejoining with use of a converter
- Anti-floatation design eliminates the need for rebar

A fully integrated surface water drainage solution for your home