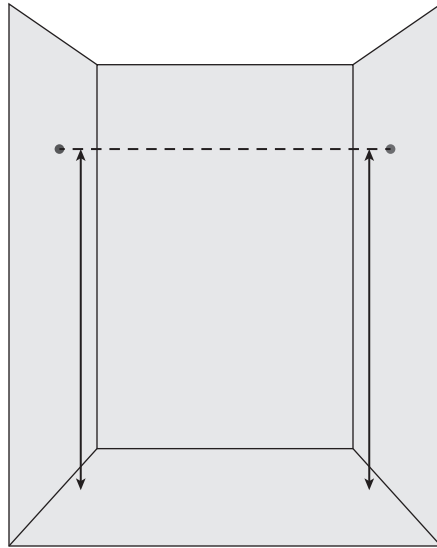
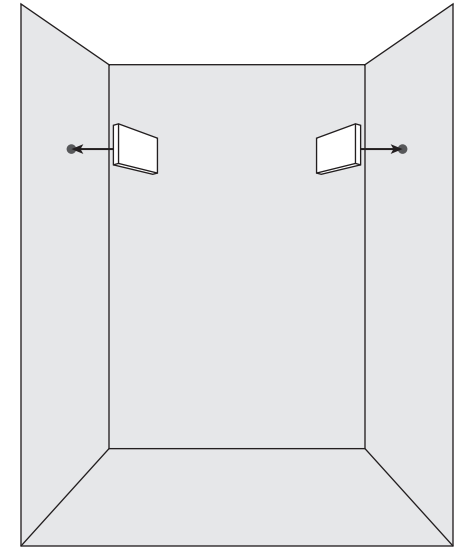


Measure width of closet. Determine desired depth from rear wall.
 Measure width of closet. Determine desired depth from rear wall.

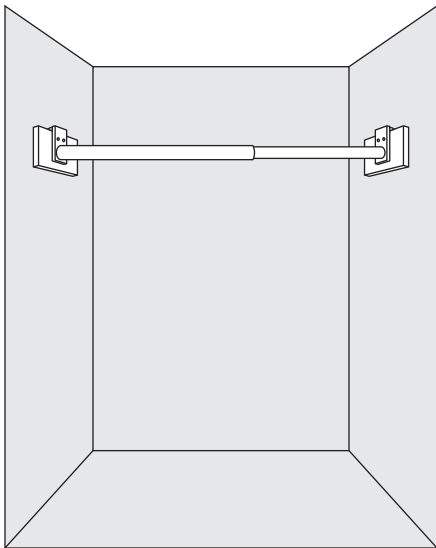


Determine the desired height for the closet rod. Mark position on each wall.
 Determine the desired height for the closet rod. Mark position on each wall.



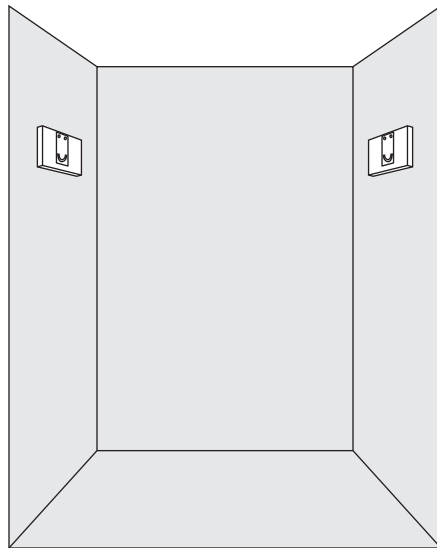
Secure wooden wall cleats (not included) to side walls at the marked positions using screws and drywall anchors.
 Secure wooden wall cleats (not included) to side walls at the marked positions using screws and drywall anchors.

Adjustable Rod with Fixed Ends

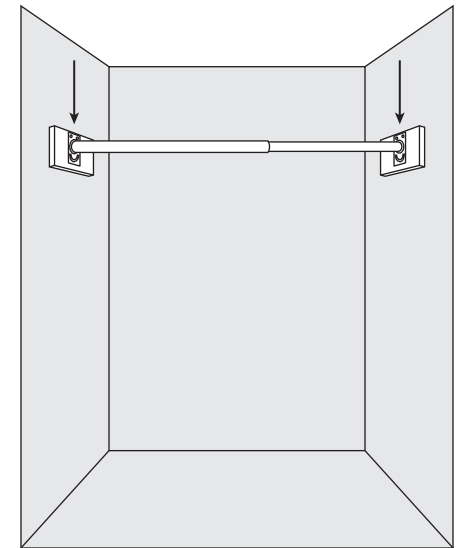


Attach adjustable rod with fixed ends to the cleats using the provided screws.
 Attach adjustable rod with fixed ends to the cleats using the provided screws.

Adjustable Rod with Separated Ends



Attach closet rod holders to each wall cleat using the provided screws.
 Attach closet rod holders to each wall cleat using the provided screws.



Insert adjustable rod into closet rod holders.
 Insert adjustable rod into closet rod holders.