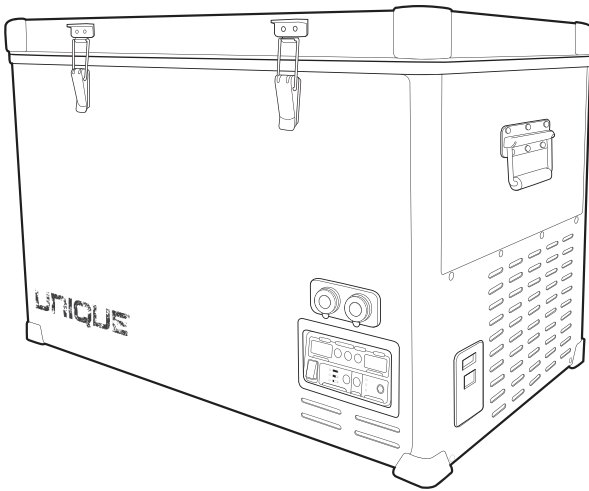


UNIQUE[®]

65L / 2.3 cu/ft

AC/DC PORTABLE FRIDGE/FREEZER

UGP-65L1 W



OWNER'S GUIDE

serial number:

TABLE OF CONTENTS

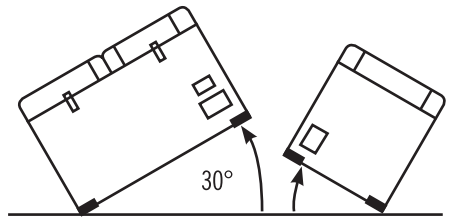
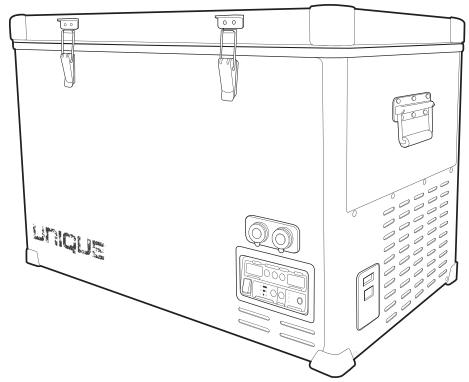
03	Installation and operation of your Unique portable AC/DC fridge/freezer
04	Defrosting the cabinet
05	UGP-65L1 W Portable fridge/freezer: features
06	Power requirements
06	AC power connection
06	DC power connection
06	Emergency override
07	Replacing the fuse
09	Operation
11	Error codes
11	Bluetooth APP
12	Connecting to a battery
12	Using solar panels
13	Using portable generators
14	Tips and suggestions
15	Technical specifications
16	Troubleshooting
17	Wiring diagram
18	Parts diagram and list
20	Appliance information
20	Notes
21	Contact us
21	Limited warranty

INSTALLATION AND OPERATION OF YOUR UNIQUE PORTABLE AC/DC FRIDGE/FREEZER

IMPORTANT: After transit where the fridge/freezer is on its side or back, ensure fridge/freezer is in a level, upright position for 3-4 hours to allow compressor fluids to redistribute evenly before use.

It is important that your fridge/freezer is installed and operated in accordance with the manufacturer's instructions to guarantee the performance, efficiency and operation.

- Position the fridge/freezer in a safe and secure location, out of the reach of rain/snow and excessive wind. Prolonged exposure to heat sources or direct sunlight can affect the unit's performance and efficiency.
- The normal operation of the fridge/freezer requires heat to be radiated away from the condensers located in the end of the cabinet. Ensure the vented areas of the cabinet are kept clear at all times to allow adequate airflow to the compressor.
- The cooling system has been designed to continue operating correctly when the fridge/freezer is positioned on angles up to 35°. It is recommended that the time the unit is exposed to angles over 30° is limited to no more than four (4) hours continuous operation.



INSTALLATION AND OPERATION OF YOUR UNIQUE PORTABLE AC/DC FRIDGE/FREEZER continued

IMPORTANT

This fridge/freezer is not intended for use by children or persons with reduced physical, sensory or mental capabilities, or lack of experience and knowledge, unless they are under supervision or instruction concerning the use of the fridge/freezer by a person responsible for their safety.

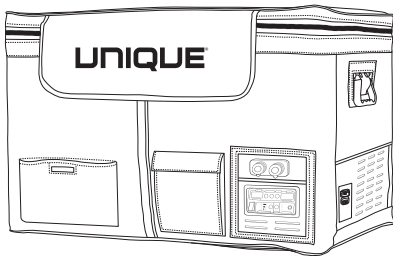
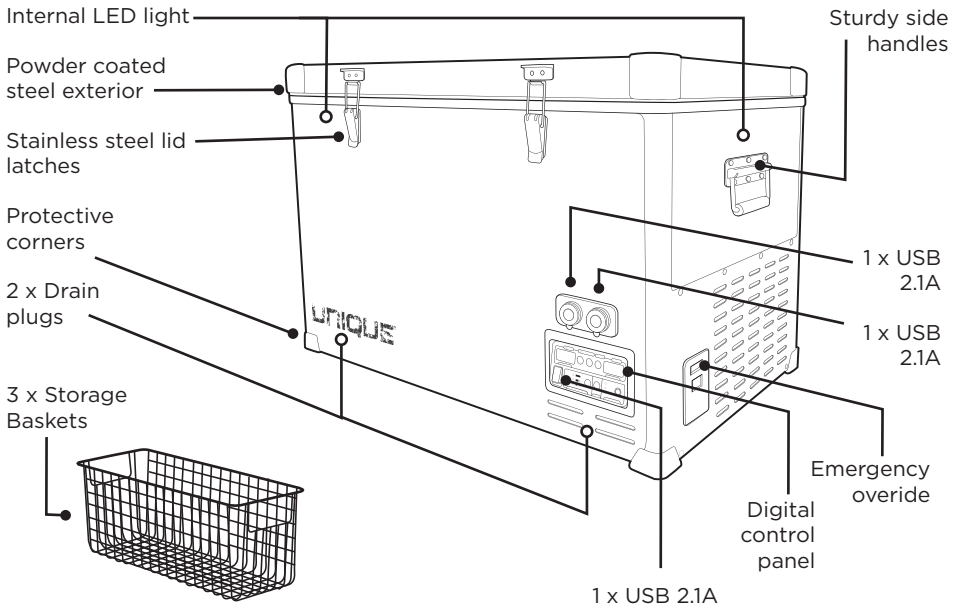
- This is not a toy. Do not allow children to play with or within the fridge/freezer.
- The fridge/freezer is suitable for outdoor and camping use and should not be exposed to rain or snow or other inclement weather.

DEFROSTING THE CABINET

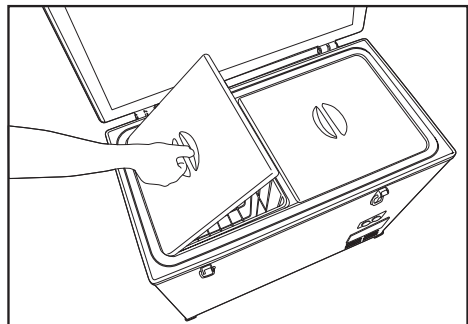
If your appliance is being used primarily as a freezer, it is possible that an ice build-up on the interior may occur. This build up can affect the performance and efficiency of the cooling system and must be removed.

Do not use pointed tools, knives or sharp utensils, or significant force to remove the ice as this may result in damage to the unit. Turn the fridge/freezer off and empty the cabinet of food/drinks. Allow the ice to melt and then drain the water from the cabinet using the drain plugs. Use a soft, clean cloth to wipe down all surfaces and allow the fridge/freezer to dry completely.

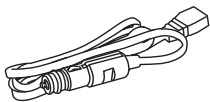
UGP-65L PORTABLE FRIDGE/FREEZER FEATURES



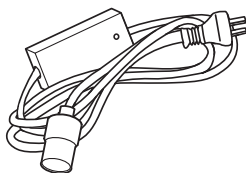
Protective insulated cover



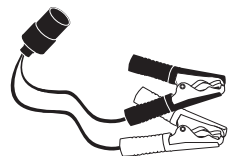
Interior insulated compartment lids



DC power cord with 10 amp fuse



24V AC power cord



Battery alligator clips

POWER REQUIREMENTS

The Unique UGP-65L1 W portable fridge/freezers are designed to operate on AC and DC voltage inputs.

AC input Voltage is required to be 110V AC at 50 - 60 Hz

DC input Voltage is required to be 12 or 24 DC +/- 10%

AC/DC Converter is 12V

AC POWER CONNECTION

The Unique UGP-65L1 W portable fridge/freezers are supplied with an approved 2 pin AC power cord. It is recommended that this cord is not lengthened as this may result in a voltage drop and reduced performance.

DC POWER CONNECTION

The Unique UGP-65L1 W portable fridge/freezers are supplied with a vehicle DC plug (cigarette lighter plug). It is recommended that this cord is not lengthened as this may result in a voltage drop and reduced performance.

When connecting the fridge/freezer to DC, plug the power cord into the DC socket on the fridge/freezer and then plug the other end of the power cord into the DC supply.

The supplied DC power cord comes with an in-line fuse. If the red indicator light on the DC cigarette plug is not illuminated, there is either no DC voltage being supplied or the **fuse is blown**. See below for fuse replacement instructions.

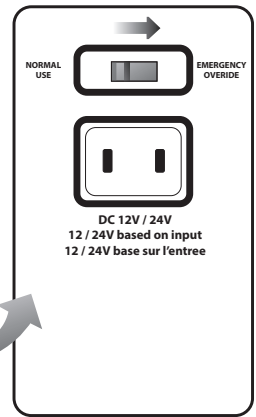
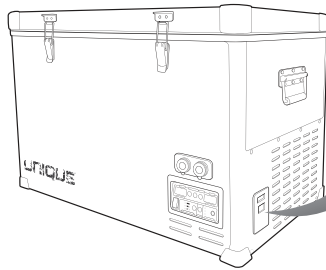
**Only use the DC power cord that is supplied with the fridge/freezer.*

EMERGENCY OVERRIDE

The emergency switch is located above the power inlet socket on the side of the unit. If the digital thermostat fails and you are unable to set the temperature, turn this switch to Emergency override. This enables the fridge to run until you reach a service centre to replace the faulty component.

NOTE: If the switch is in the “ EMERGENCY OVERRIDE” position, the fridge/compressor will run with full cooling capacity and may freeze. This will only freeze the zone of the fridge that is currently turned on before flicking the emergency override switch.

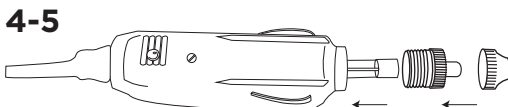
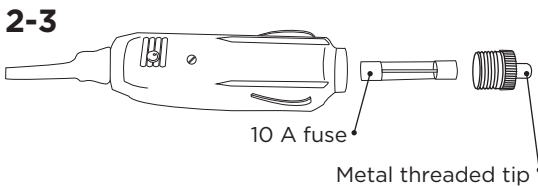
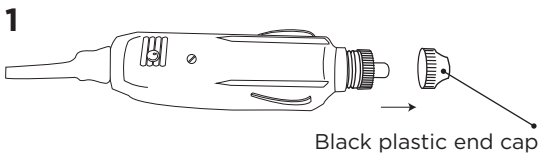
If the Emergency Switch is turned on. The control panel will only show the temperature and voltage, you will not be able to set the temperature or voltage.



IT IS NOT FOR EVERYDAY USE - ONLY FOR EMERGENCIES

REPLACING THE FUSE

The Unique UGP-65L1 W portable fridge/freezers are supplied with 2 additional replacement 10A fuses for the adaptor. These can be found in a plastic bag attached to the cord. If the indicator light on the DC power cord is not illuminated, it could mean that the fuse has blown. Here is how to replace the fuse:

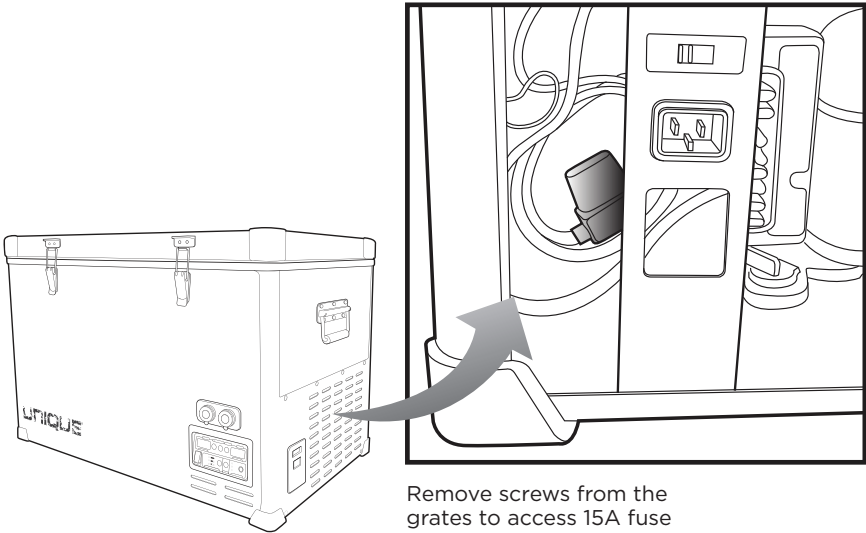


1. Unscrew the black plastic end cap from the DC power plug.
2. Unscrew the metal threaded tip of the DC power plug to expose the cylindrical 10 amp fuse.
3. Remove blown fuse and replace with a new fuse.
4. Replace metal threaded tip of DC power plug and screw back into place.
5. Replace black plastic end cap of the DC power plug and screw into place.

REPLACING THE FUSE continued

IN-LINE FUSE

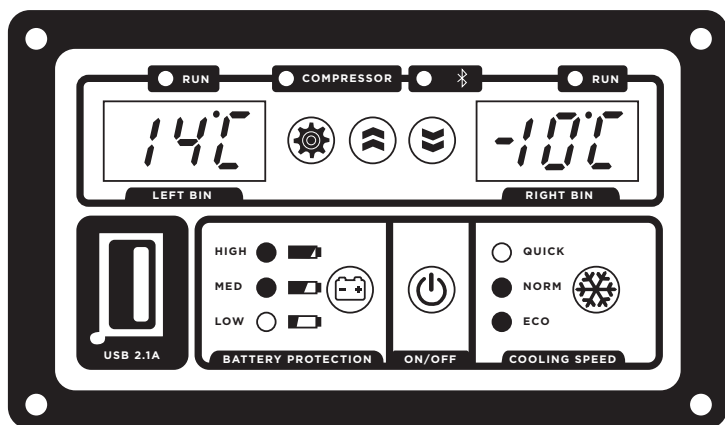
A 15A in-line fuse is provided with this fridge in order to protect the wiring. **For 12V/24V operation, use a 15A fuse.** A standard automobile fuse is recommended - *A 15A fuse is provided with this fridge/freezer.*



Remove screws from the
grates to access 15A fuse

OPERATING VOLTAGE	FUSE
12 V / 24 V	15 A


OPERATION




COMPARTMENT CONTROL

Individual temperature controlled compartments enable a variety of fridge/freezer combinations and also allow either compartment to be shut off to save energy.

Temperature setting range: $-22^{\circ}\text{C} \sim +10^{\circ}\text{C}$, $-8^{\circ}\text{F} \sim 50^{\circ}\text{F}$

Plug in the DC or AC power cable. Use the  ON/OFF power button located on the electronic thermostat to power on the fridge. The LED display on the control panel will light up and the interior temperature will be displayed.

THERMOSTAT


Press and hold the  SETTING button on the electronic thermostat for 3 seconds to adjust the temperature. To lock in the target temperature press SETTING button one time or leave for 5 seconds. The LCD display will indicate the current temperature inside the unit after the target temperature is set. After approximately 5 minutes the displayed temperature will start to decrease.



To change the fridge between $^{\circ}\text{C}$ and $^{\circ}\text{F}$. Press the Down button and UP button together.

Press and hold the SETTING button and UP button together for 3 seconds to turn off the left zone and press and hold the same buttons for 3 seconds to turn on the left zone.

Press and hold the SETTING button and DOWN button together for 3 seconds to turn off the right zone and press and hold the same buttons for three seconds to turn on the right zone.

OPERATION

Battery Protection: press and hold the voltage setting button  for 3 seconds to adjust the Low, Middle, High voltage. We recommend the Middle voltage for operation.


To change the battery voltage setting press and hold the  button for 3 seconds and then use the  button to change between the settings. Leave the unit for 5 seconds for the voltage to adjust. The three approximate voltage settings are as follows: - (We advise to keep the setting on Medium level).

Voltage Setting	12V Battery Protection		
	Turn off compressor (to protect battery)	Early warning alarm system will notify before turning off compressor (to protect battery)	Turn on compressor
Low Level	10.3V	10.6V	11.4V
Med Level	11.1V	11.3V	12.2V
High Level	11.6V	11.9V	12.7V

Voltage Setting	24V Battery Protection		
	Turn off compressor (to protect battery)	Early warning alarm system will notify before turning off compressor (to protect battery)	Turn on compressor
Low Level	21.5V	21.8V	23.0V
Med Level	23.3V	23.6V	25.3V
High Level	24.5V	24.8V	26.2V

NOTE: The early warning alarm will sound off every 4 seconds for 30 minutes before the compressor shuts off. If an alternative power source is not found, the early warning alarm will sound off every 8 seconds for 30 mins until the unit has no more power.


CHANGING THE COOLING SPEED

Press & hold the setting  button for 3 seconds and use the setting button to change between the settings. Leave the unit for 5 seconds for the cooling speed to adjust. **(We advise to keep the setting on Normal level).**

ERROR CODE

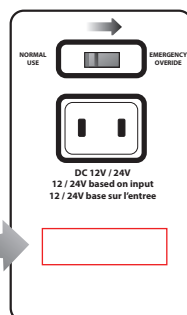
Error Code	Error type can be read out on the control display
Err 7 Err 6	Thermostat failure (If the NTC thermistor is short-circuit or has no connection).
Err 5	Thermal cut-out of electronic unit (If the refrigeration system has been too heavily loaded, or if the ambient temperature is high, the electronic unit will run too hot).
Err 4	Minimum motor speed error (If the refrigeration system is too heavily loaded, the motor cannot maintain minimum speed at approximately 1,850 rpm).
Err 3	Motor start error (The rotor is blocked or the differential pressure in the refrigeration system is too high(>5bar)).
Err 2	Fan over-current cut-out (The fan loads the electronic unit with more than 0.5A).
Err 1	Battery protection cut-out (The voltage is outside the cut-out setting).

BLUETOOTH APP

To check the Bluetooth name : Press setting  button one time and see the fridge Bluetooth name.

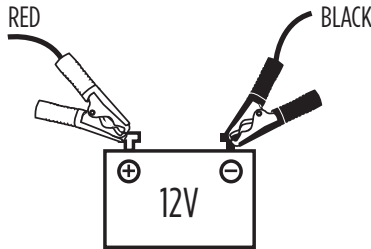
Your Bluetooth code is located on the side of the unit under the power socket.

* To download the APP instructions visit our website at www.UniqueOffgrid.com



CONNECTING TO A BATTERY

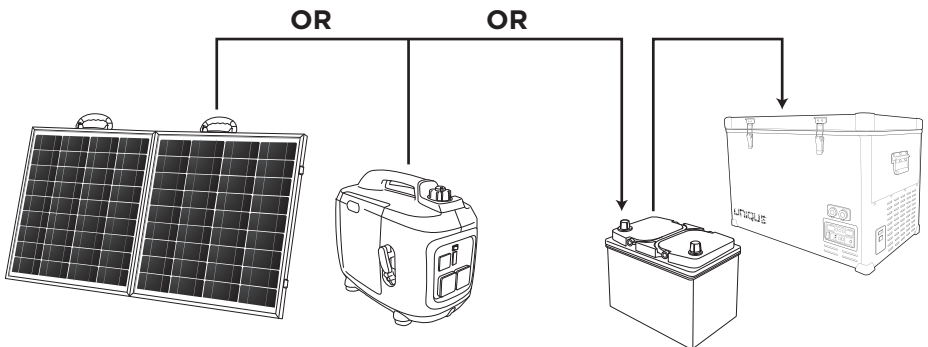
Your DC fridge/freezer can run off a single 12V or 24V power supply. When connecting to a 12V battery, ensure that the supplied connection wires are used. Connect the positive wire (red) to the positive terminal on the battery and the negative wire (black) to the negative terminal on the battery. Please ensure that your deep cycle battery is fully charged and is properly connected to the **Unique Portable Solar Panel system (UGP-100WSPB and/or UGP-120WSP)** or a power generator.



USING SOLAR PANELS

The power consumption and efficiency of your Unique UGP-80L1 W portable fridge/freezer makes it ideal to be used in conjunction with solar panels to provide recharging of the DC supply. **The Unique Portable Solar Panel system (UGP-100WSPB and/or UGP-120WSP) was designed for easy use with the fridge/freezer's DC supply.** Solar panels will provide charge into the battery during the daylight hours even while the appliance is operating.

As the output from solar panels changes depending on the level of sunlight and intensity, **your UGP-65L1 W portable fridge/freezer cannot be connected directly to the solar panels.** The appliance must be connected to a suitable DC battery and then the solar panels connected to the battery.



USING PORTABLE GENERATORS

It is important that the correct generator is used with your UGP-65L1 W portable fridge/freezer. An incorrect generator may result in reduced performance or damage to your appliance which may void your appliance's warranty.

If connecting directly to an AC generator, ensure that only a digital or inverter type generator is used. These provide a more reliable and constant 110V AC output and are specifically designed to power electronic and other power sensitive appliances.

When charging the battery using a digital or inverter type generator, we recommend only using a 'smart battery charger' that is fully automatic, spark proof and reverse polarity protected. The battery charger is connected directly to the AC power output of the generator.

TIPS AND SUGGESTIONS

- Fresh and frozen foods should not be stored together. Frozen surfaces can cause frost damage on fresh foods which can then lead to spoilage. It is best to put an insulating layer between these goods or to organize them into separate compartments.
 - When the appliance is being set at 0°C / 32°F or lower, do not store glass bottles or liquids such as beer, wine, juices or soft drinks in the unit as they may freeze and shatter.
 - Items such as fruit and vegetables should be stored closer to the top of the cabinet as this area is normally slightly warmer. This will reduce the risk of spoiling and ensure that delicate fresh foods are not crushed by heavier frozen items.
 - To improve the efficiency of your UGP-65L1 W portable fridge/freezer it is better to have the cabinet as full as possible at all times. A full cabinet will provide lower power consumption over 24 hours than a half-empty one, as chilled and frozen food help maintain temperature efficiency.
 - Make your selection of what you wish to remove from the cabinet before you open the door. This will reduce the amount of warm air that will enter the cabinet while the door is open, and help maintain energy and temperature efficiency.
 - When located in the rear of a vehicle, it is recommended that the fridge/freezer be shaded from direct sunlight to reduce the risk of increased heat. It should also be provided with suitable ventilation to guarantee efficient power consumption and performance.
- *Remember: when a vehicle is parked in the sun on a day where the ambient temperature is +30°C/86°F, the interior of the vehicle can reach more than +55°C/131°F.

TECHNICAL SPECIFICATIONS

MODEL	UGP-65L1 W
GROSS CAPACITY	65 L / 2.3 cubic feet
ZONE	Dual
RUN TEMPERATURE	-22 °C / -7.6 ° F to +20 ° C / 68 ° F (in ambient temperature between +1 ° C / 34 ° F to +43 ° C / 109 ° F)
POWER CONSUMPTION	33 W (power consumption varies based on temp. setting)
AVERAGE RUN CURRENT	2.7 amps on 12V DC
TOTAL WATT HR DRAW	396 Wh/24 hrs (lrg. side set to +5 ° C/Sm. side set to -13 ° C)
TOTAL AMP HR DRAW	14.9 Ah/24 hrs (lrg. side set to +5 ° C/Sm. side set to -13 ° C)
REFRIGERANT	R134a / 73g
INSULATION MATERIAL	C5H10/C-Pentane
INSULATION THICKNESS	Wall: 55mm / Lid: 50mm
WEIGHT (kg, approx.)	27 kg / 59.5 lbs
EXTERNAL DIMENSION (WxDxH)	18.7" x 31.5" x 18.5"
INTERNAL DIMENSION large chamber - 1 (LxWxD)	13.9" x 8.4" x 14.1"
INTERNAL DIMENSION large chamber - 2 (LxWxD)	13.9" x 8.4" x 14.1"
INTERNAL DIMENSION small chamber (LxWxD)	13.9" x 8.4" x 5.23"

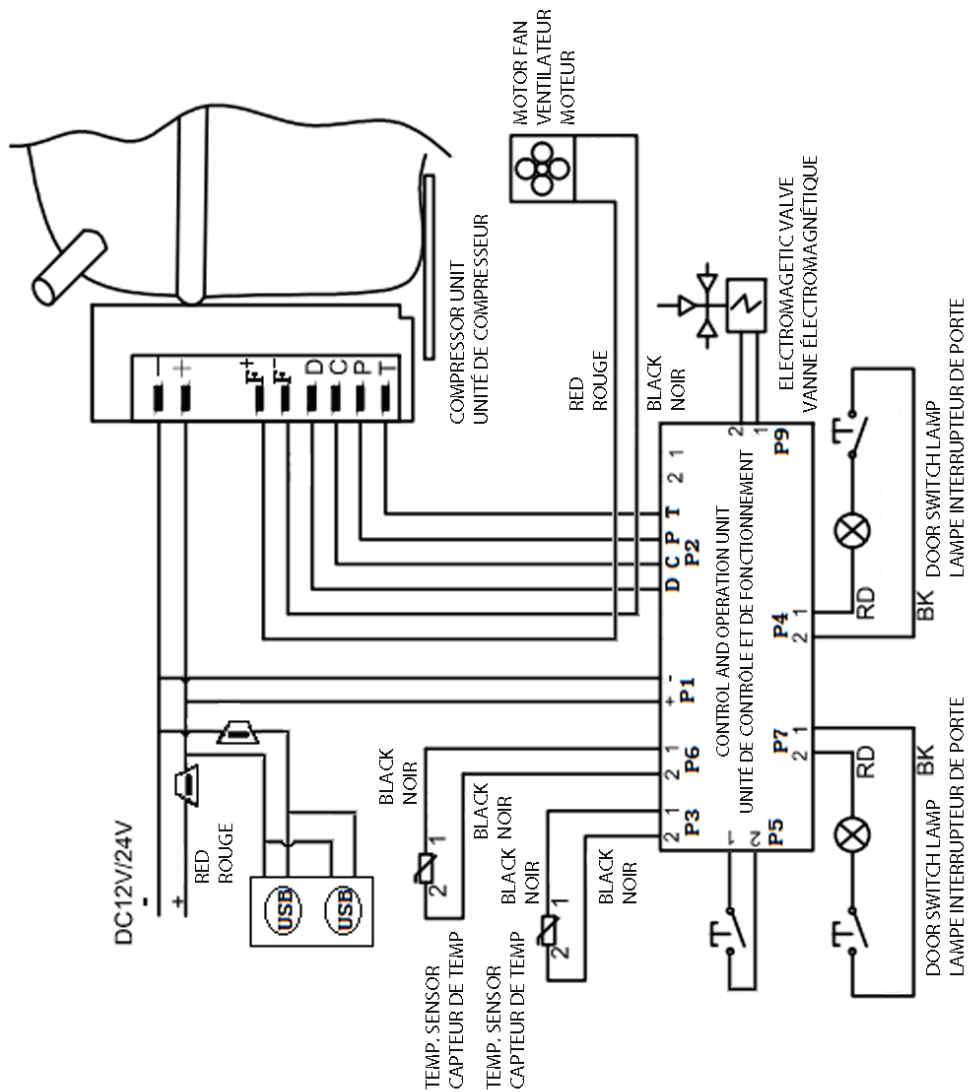
***All of our published numbers are based on fridge/freezer at the achieved temperature and not from initial start-up with pull down temperature**

***All published numbers will vary based on temperature settings, ambient temperature, unit opening and closing and the temperature of food being placed into the unit**

TROUBLESHOOTING

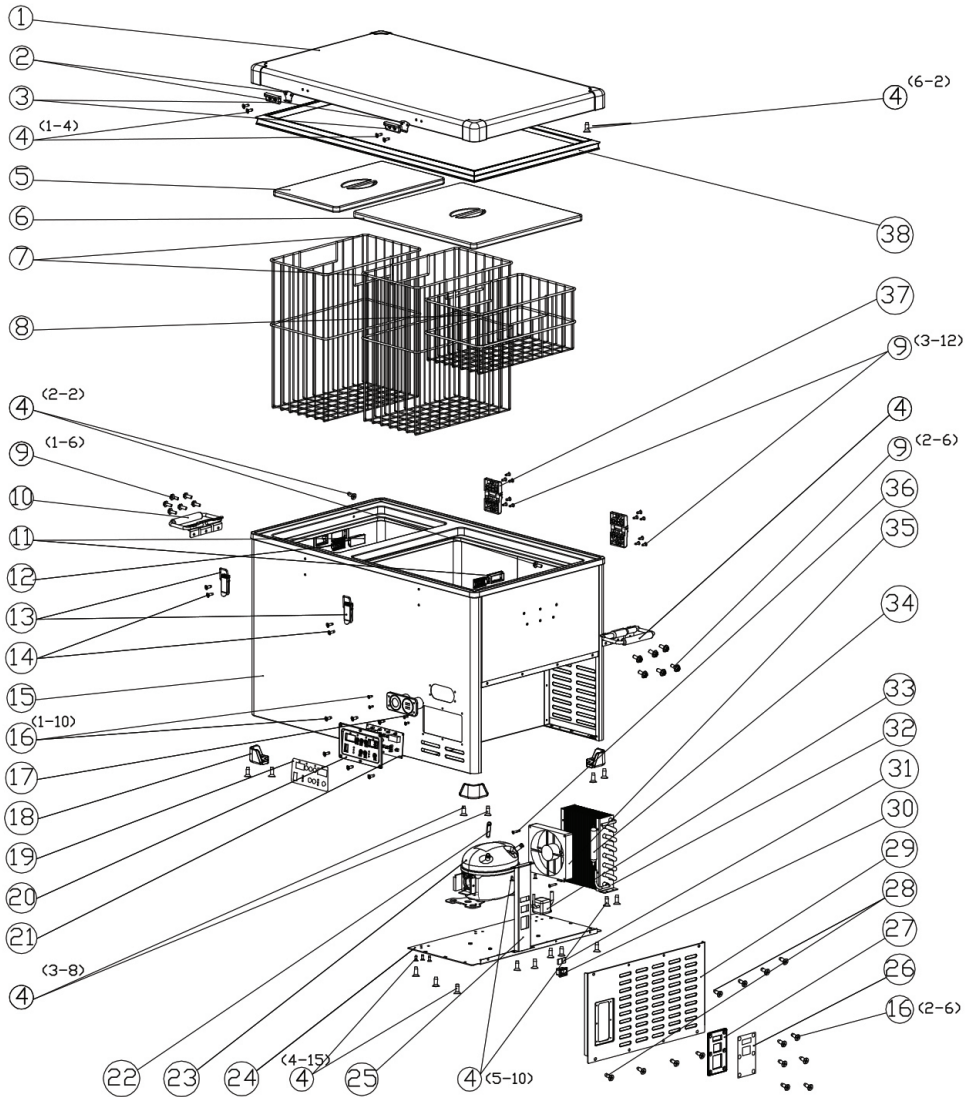
PROBLEM	CAUSE	SOLUTION
THE COMPRESSOR DOES NOT RUN	The polarity of the positive and the negative have been reversed.	Switch off the power and check the polarity of the connections. Check your in-line fuse within the cigarette lighter plug.
	The voltage is insufficient or interrupted.	Switch off power. Check connections and then fuses.
THE COMPRESSOR RUNS FOR 1-5 MINUTES AND THEN STOPS	The voltage is insufficient or interrupted.	Switch off power. Check connections and then restart.
THE COMPRESSOR RUNS BUT THE INNER COMPARTMENT DOES NOT GET COLD	The refrigeration system may be blocked.	Contact your dealer for assistance.
THE INNER LINER IS VERY COLD AND THE COMPRESSOR RUNS CONTINUOUSLY	There is a build up of ice on the inner liner.	Defrost the cabinet.
	The lid is being opened and closed too frequently.	The lid should only be opened when needed.
	The cabinet is being overloaded and used as a freezer.	Remove some product.
	There is insufficient air flow to the condenser.	Select a well ventilated area.
THE WIRELESS REMOTE DOES NOT CONNECT TO THE FRIDGE	The voltage is insufficient or interrupted.	Switch off power. Check connections and then fuses. Restart.
	The fridge is not switched on.	Turn fridge on.

UGP-65L1 W WIRING DIAGRAM



UGP-65L1 W

PARTS DIAGRAM AND LIST



PARTS DIAGRAM AND LIST continued

ITEM #	PART #	DESCRIPTION
1	UGP-65L 1	Door
2	UGP-65L 2	Upper Latch
3	UGP-65L 3	Door Handle
4	UGP-65L 4	M4x8 Screw
5	UGP-65L 5	Small lid
6	UGP-65L 6	Big lid
7	UGP-65L 7	Big Basket
8	UGP-65L 8	Small Basket
9	UGP-65L 9	M5x10 Screw
10	UGP-65L 10	Fridge Handle
11	UGP-65L 11	Led light
12	UGP-65L 12	Temperature Sensing Box
13	UGP-65L 13	Under Latch
14	UGP-65L 14	M5x8 Screw
15	UGP-65L 15	Fridge Cabinet
16	UGP-65L 16	M4x10 Screw
17	UGP-65L 17	Cigarrate and USB Socket
18	UGP-65L 18	Protective Corner
19	UGP-65L 19	Display Control Sticker
20	UGP-65L 20	Display Control Panel
21	UGP-65L 21	Circuit Board
22	UGP-65L 22	Process Tube
23	UGP-65L 23	DC Compressor
24	UGP-65L 24	Compressor base
25	UGP-65L 25	Socket Support
26	UGP-65L 26	Socket Sticker
27	UGP-65L 27	Socket Panel
28	UGP-65L 28	M4x8 Screw
29	UGP-65L 29	Back Cover
30	UGP-65L 30	DC Socket
31	UGP-65L 31	Emergency Switch
32	UGP-65L 32	Condenser
33	UGP-65L 33	Solenoid Valve
34	UGP-65L 34	Drier filter
35	UGP-65L 35	Fan
36	UGP-65L 36	M4*30 Screw
37	UGP-65L 37	Hinge
38	UGP-65L 38	Door Seal

UNIQUE®

APPLIANCE INFORMATION (manual copy - keep with your records)

To make care and servicing of your fridge/freezer easy and efficient, please record the following information for future reference:

Model:

Serial Number:

Purchased From:

Date Purchased:

NOTES

UNIQUE®

CONTACT US

For questions related to the operation, safety or the purchase of your fridge/freezer, please contact your dealer for more information. For general information, contact our customer service department:

- Toll-free: 1-877-427-2266 or 1-905-827-6154 (available during regular business hours, 8:30 am to 4:30 pm, EST).
- Email: info@UniqueOffGrid.com

Please visit our website for more quality off-grid products:
www.uniqueoffgrid.com

Unique Gas Products Ltd., 2245 Wycroft Road, Oakville, Ontario, Canada, L6L 5L7

UGP-65L1 W PORTABLE FRIDGE/FREEZER 1 YEAR LIMITED WARRANTY

Unique Gas Products Ltd., warrants that this portable fridge/freezer is free from defects in material and workmanship under normal usage and service under the following terms:

1. This Warranty is made only to the first purchaser (“original purchaser”) who acquires this fridge/freezer for his/her own use and will be honored by **Unique Gas Products Ltd.** and by the Seller.
2. Any part of this fridge/freezer returned to the Seller or **Unique Gas Products Ltd.**, which upon examination is determined by them to have been defective in material or workmanship, will at their option be either repaired or replaced under this warranty, within 14 days from date of return to **Unique Gas Products Ltd.**, without charge for materials/parts.
3. The obligation to repair or replace defective parts will apply only to parts returned within one year of the date of purchase and will constitute the Sellers sole obligation under this Warranty.

The Seller will have no obligation under this warranty with respect to conditions unrelated to the material or workmanship of this fridge/freezer. Such unrelated conditions include without limitation:

- a) damage to any part of this fridge/freezer caused by misuse, neglect of service or any alteration thereof.
- b) use of this product for any purpose other than its Intended use.

This Unique fridge/freezer must be maintained regularly as outlined in the Owner’s Manual. **Unique Gas Products Ltd.** and the seller will not be liable for direct or indirect loss of foods caused by failure in operation. In case of failure, the owner must provide proof of purchase, model, and serial number to the seller or **Unique Gas Products Ltd.**

Please fill out warranty card within 30 days and mail back to Unique for warranty coverage.

UNIQUE[®]

© 2018 Unique Gas Products Ltd., 2245 Wyecroft Road, Oakville, Ontario, Canada,
L6L 5L7

www.uniqueoffgrid.com