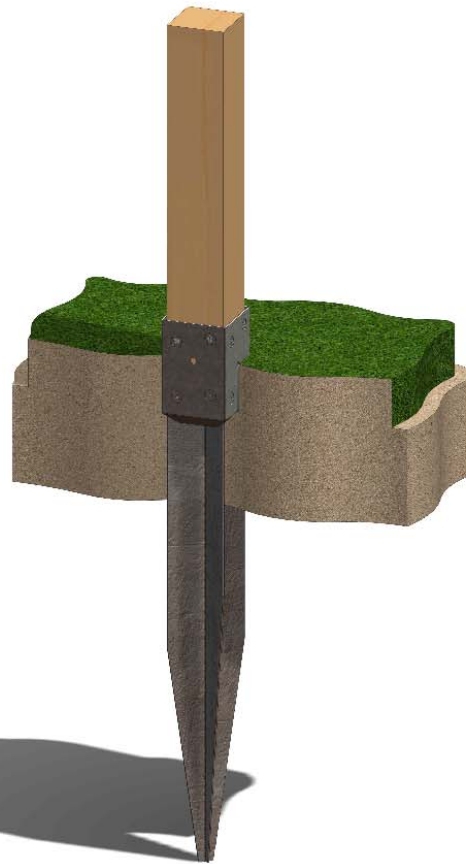


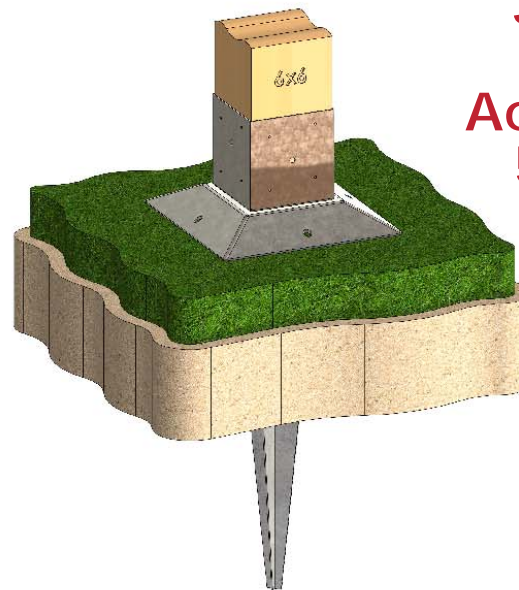
Installation Instructions, Wood Post Anchors

- 30180 T4-600 24" 4x4
- 30160 T4-850 34" 4x4
- 30200 C4-850 34" 4x4
- 30380 T46-850 36" 4x6
- 30400 T6-850 36" 6x6
- 30700 MB-24 24" 4x4
- 30410 T6-700 32" 6x6

Accessory-Deck Plate
50880 OD-T4 12"x12"

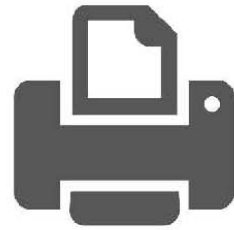


Typical Installation



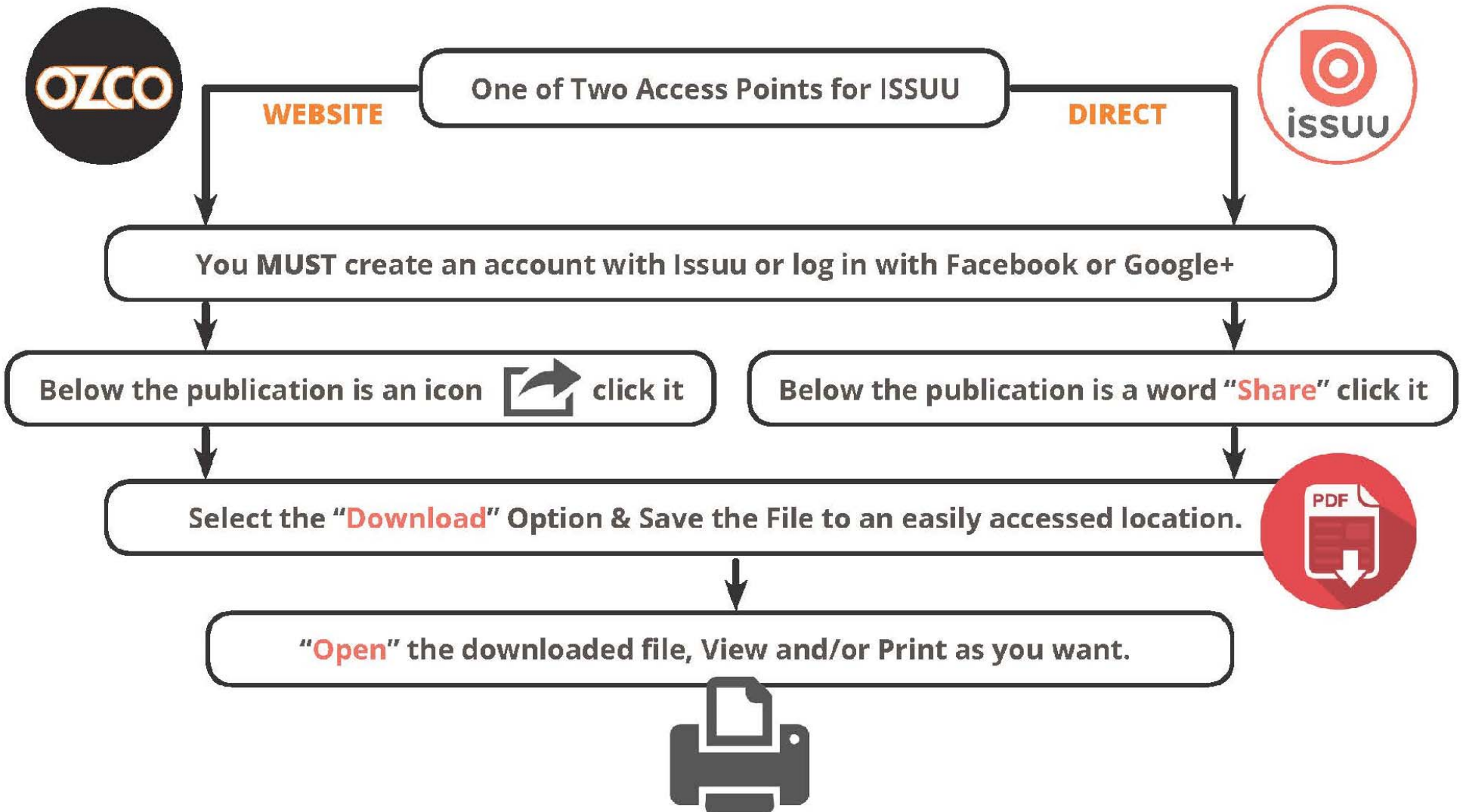
with 50880 Deck Plate

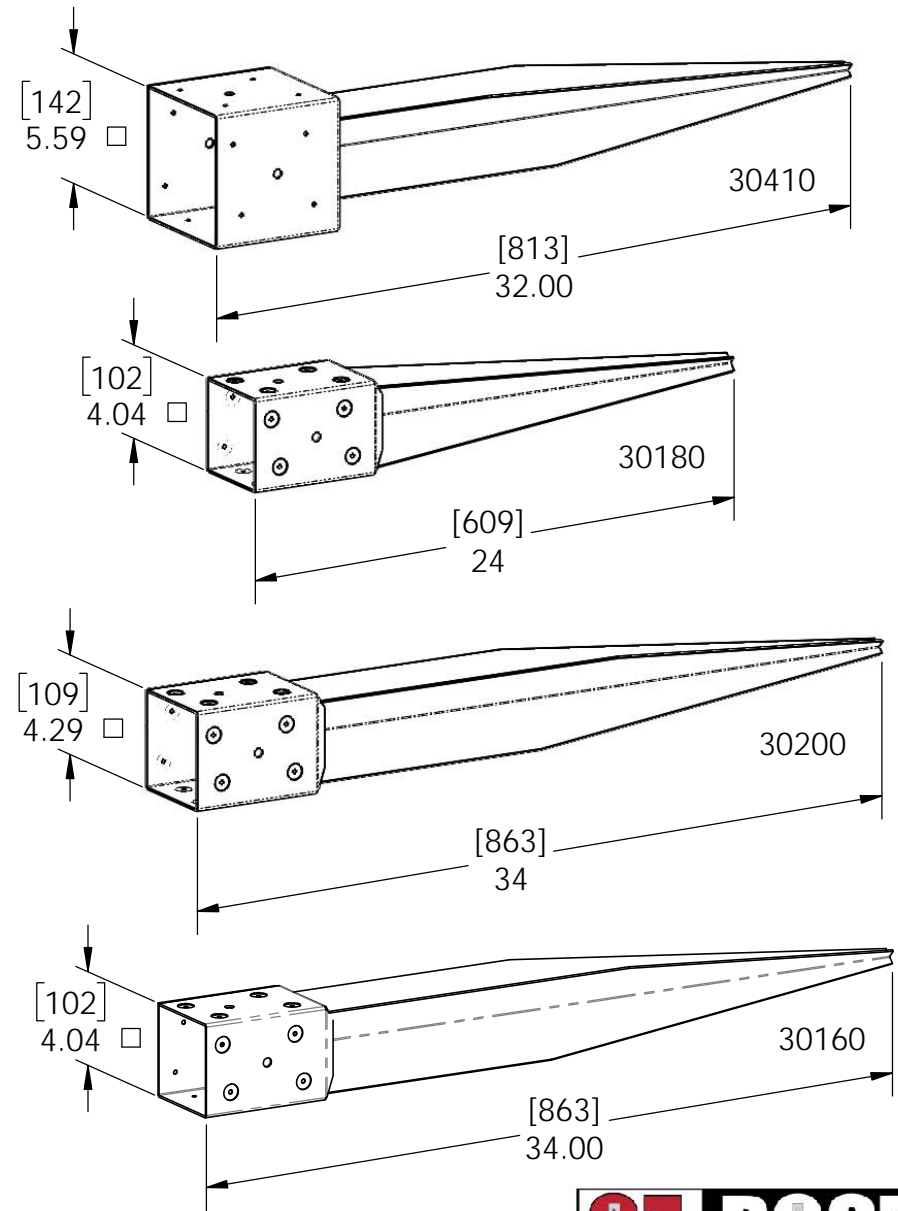
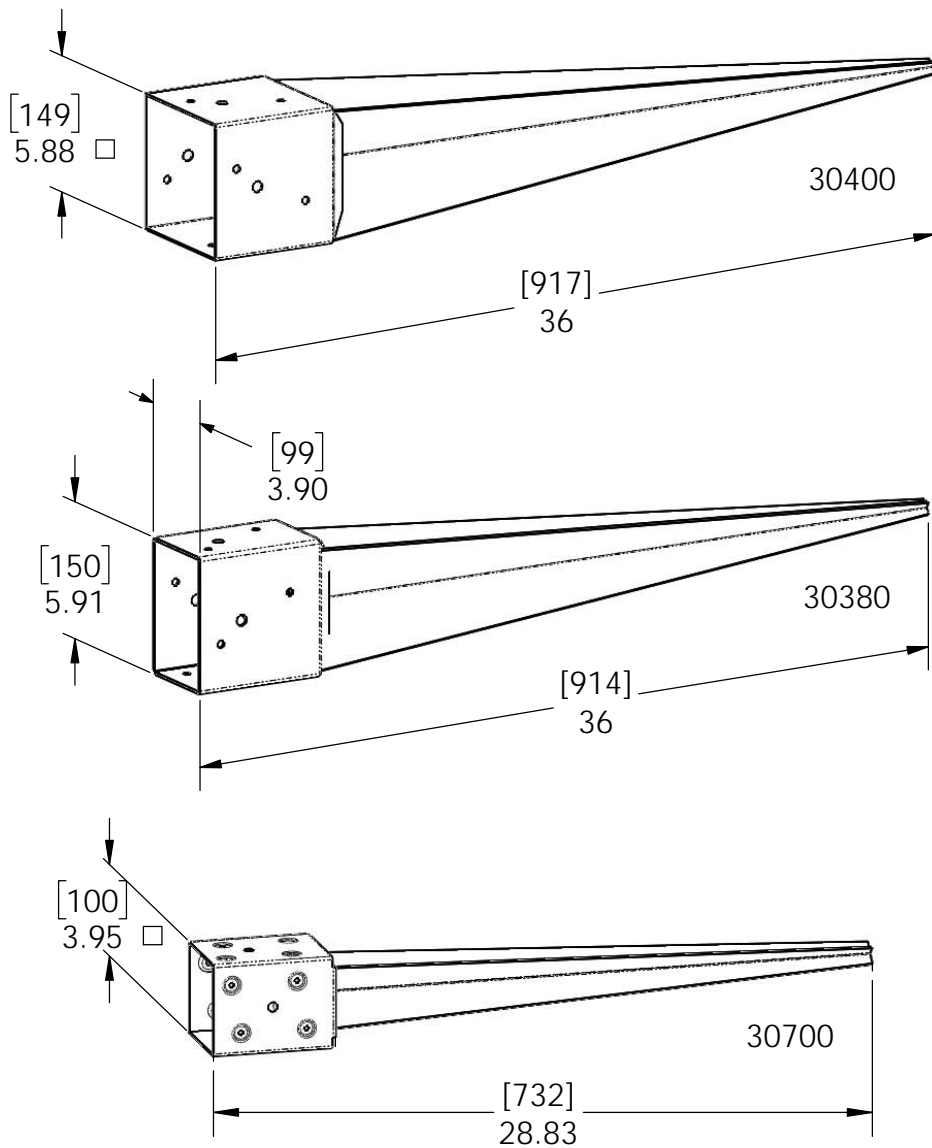




Printing Documents from ISSUU

Unfortunately, there is currently no way to print content directly through issuu. To print a publication, you will need to download it and print it from your computer.





Overview

Installation Instructions, Wood Post Anchors



OZCO BUILDING PRODUCTS

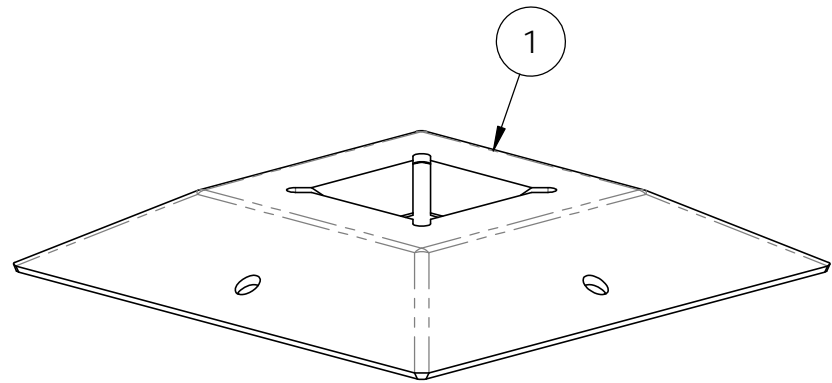
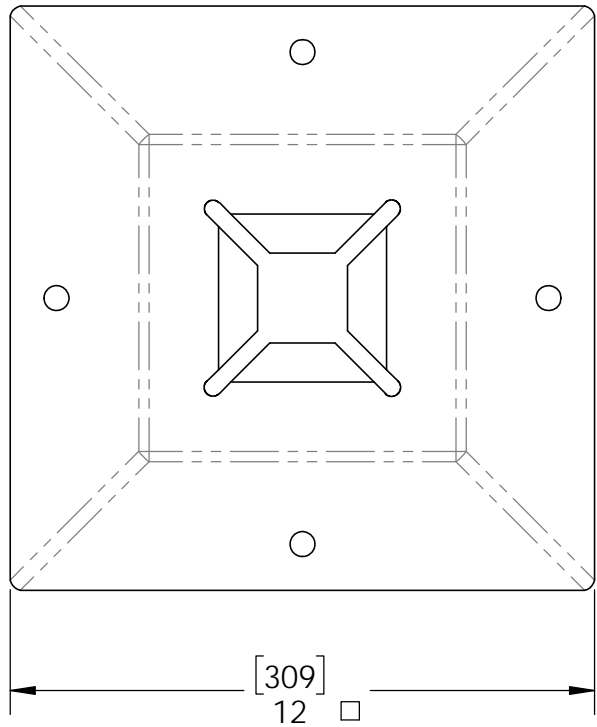
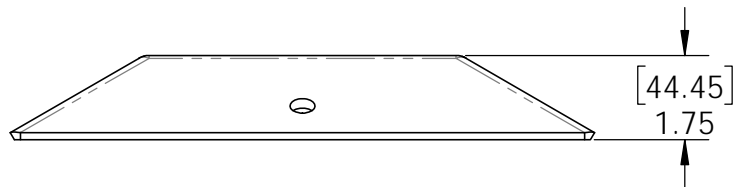


plate can be painted to match black post anchors with automotive spray can bedliner

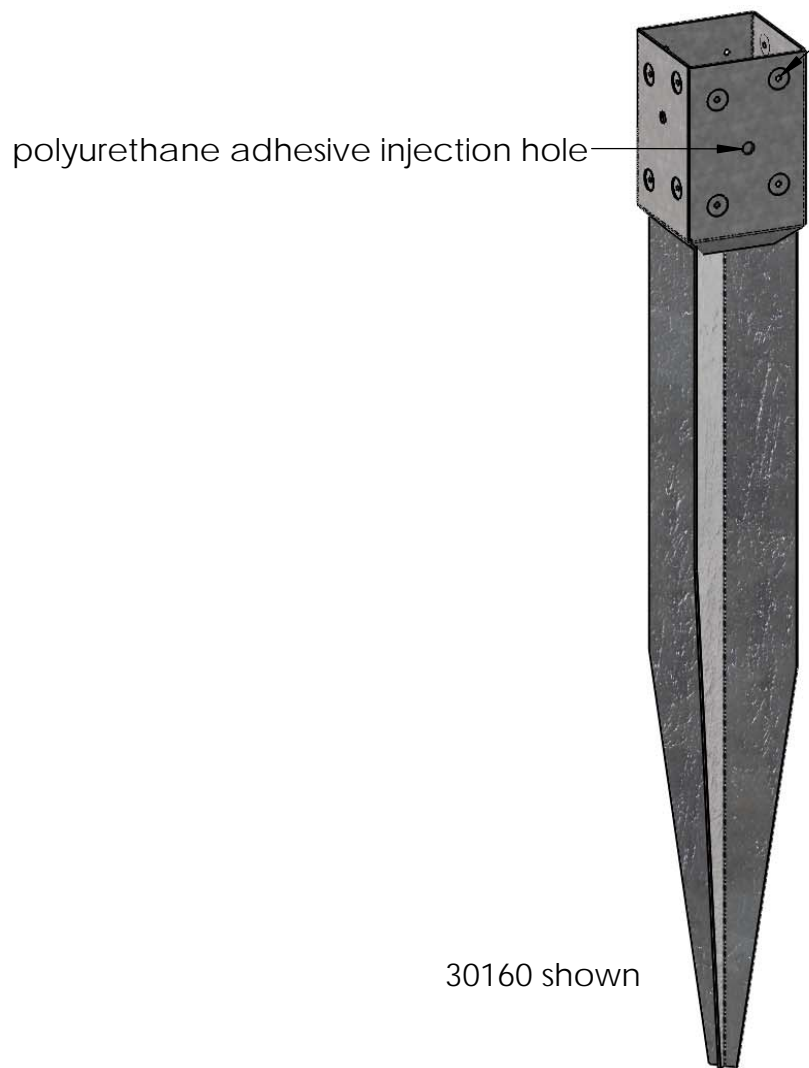


Accessory: 50880

Installation Instructions, Wood Post Anchors



OZCO BUILDING PRODUCTS



Post securing options

- #10 x 1-1/4" panhead screw mounting holes (screws not included)
- Polyurethane adhesive; 3-4 squeezes on chaulk gun applicator inside "injection hole"
- Both methods above

notes:

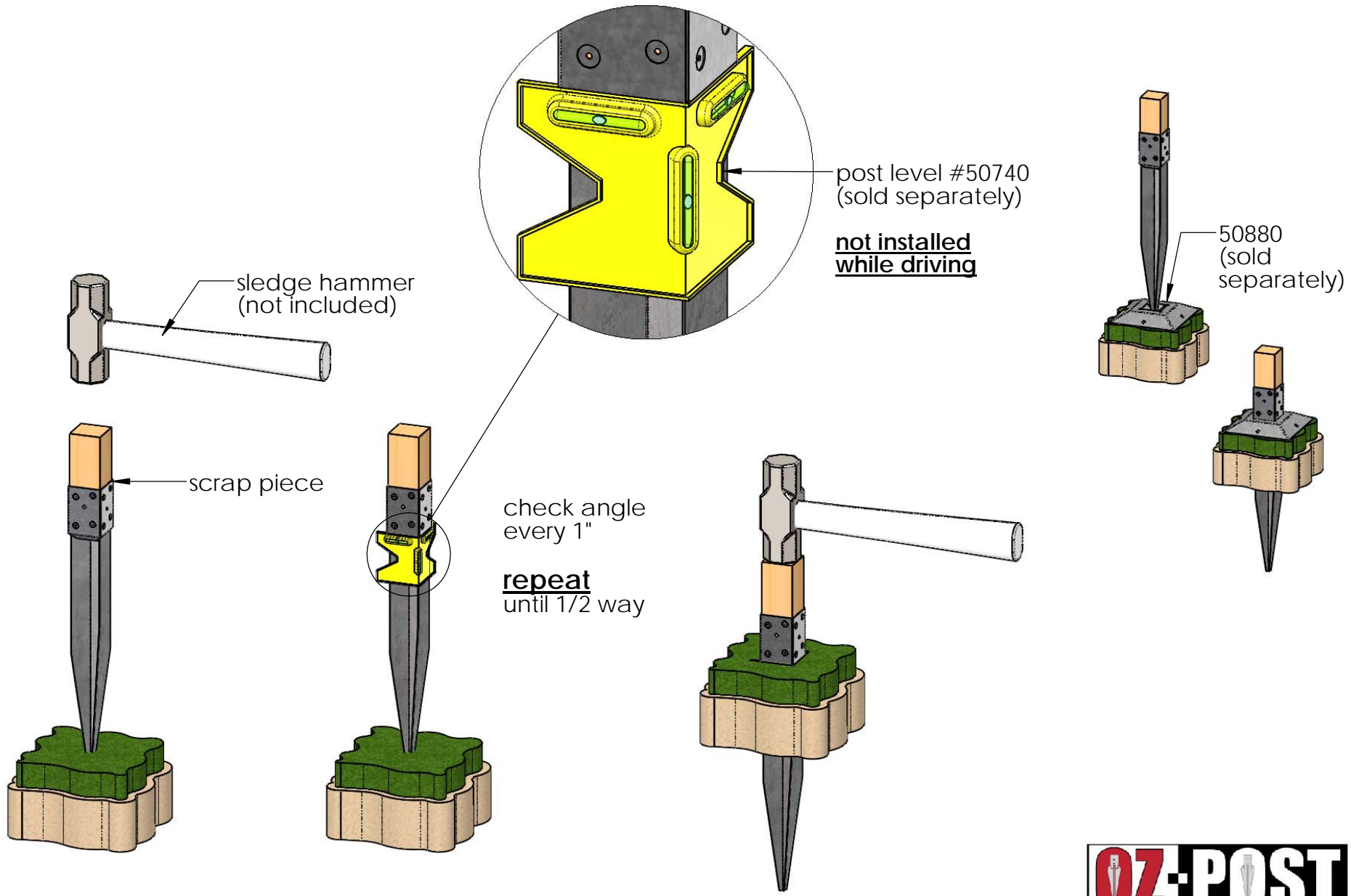
- post anchor may be driven into any desired depth.
- recommend using polyurethane adhesive on applications where securing holes are below surface level to prevent post rot.

30160 shown

Typical

Installation Instructions, Wood Post Anchors





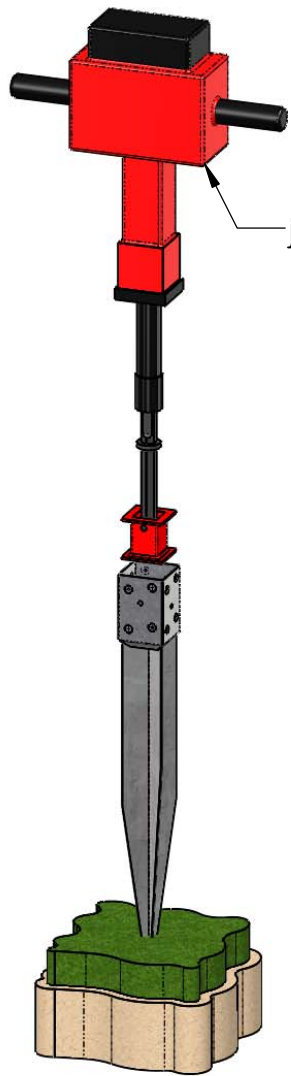
sledge hammer installation

Installation Instructions, Wood Post Anchors

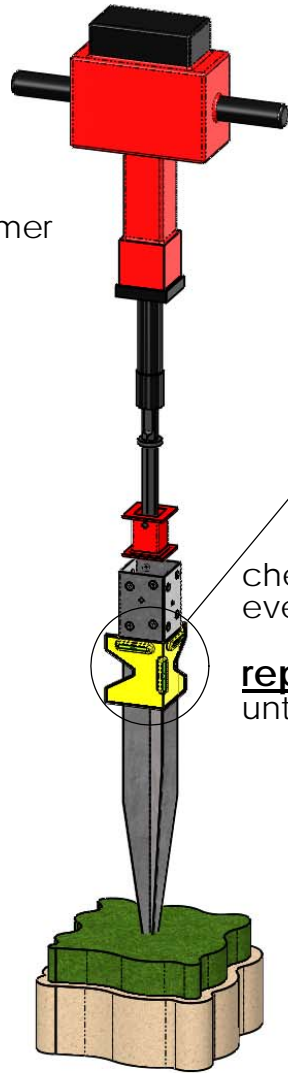


OZCO BUILDING PRODUCTS

V2.00 - Installation Instructions, Specifications and Project Plans are effective 3/29/2016 . This information is updated periodically and should not be relied upon after 2 years from 3/29/2016 . Please visit OZCOBP.com to get current information.

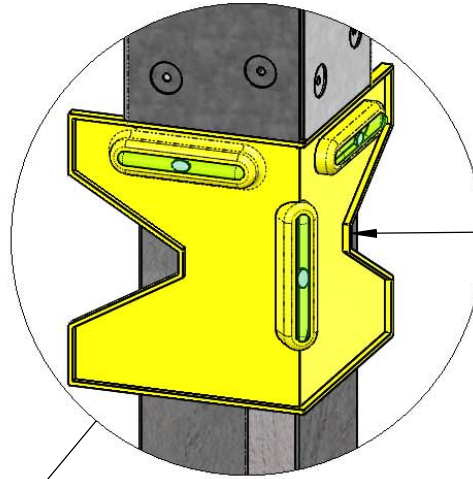


jack hammer
(rental)



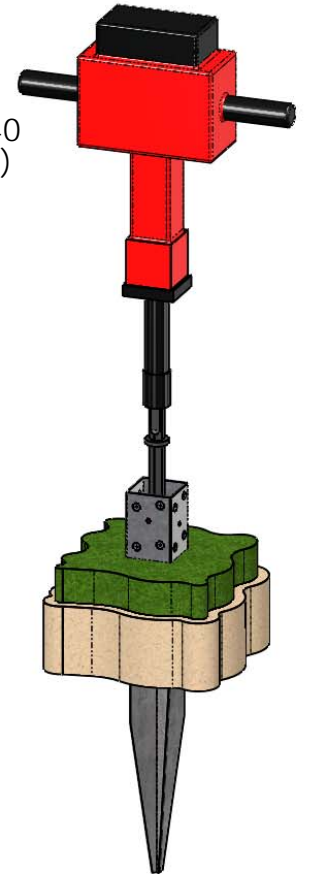
check angle
every 1"

repeat
until 1/2 way



post level #50740
(sold separately)

not installed
while driving

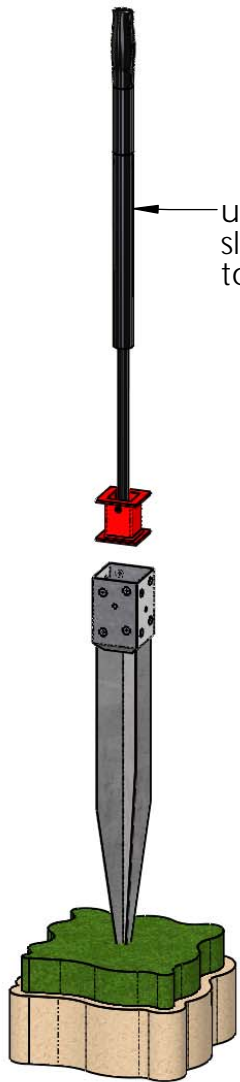


JDK installation

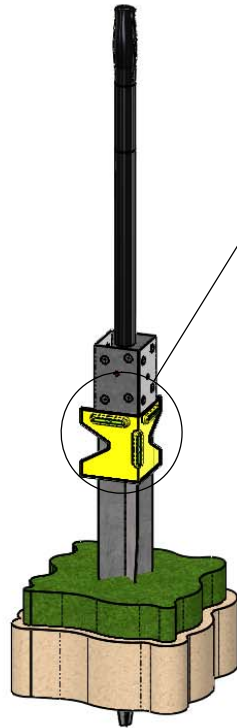
Installation Instructions, Wood Post Anchors



OZCO BUILDING PRODUCTS

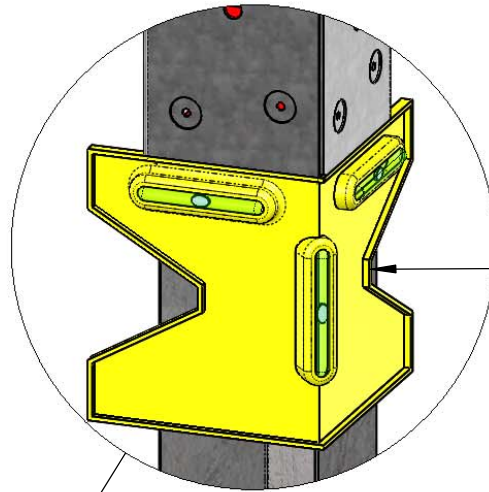


upper section
slides up & down
to drive post anchor



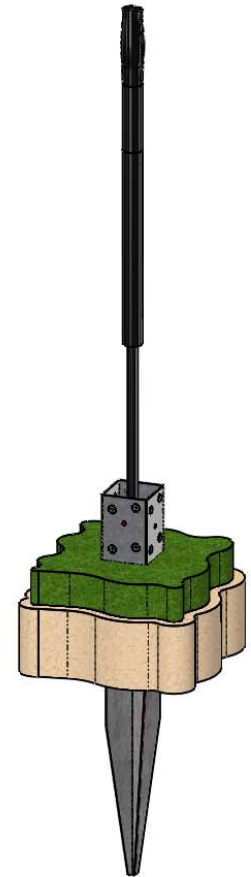
check angle
every 1"

repeat
until 1/2 way



post level #50740
(sold separately)

not installed
while driving

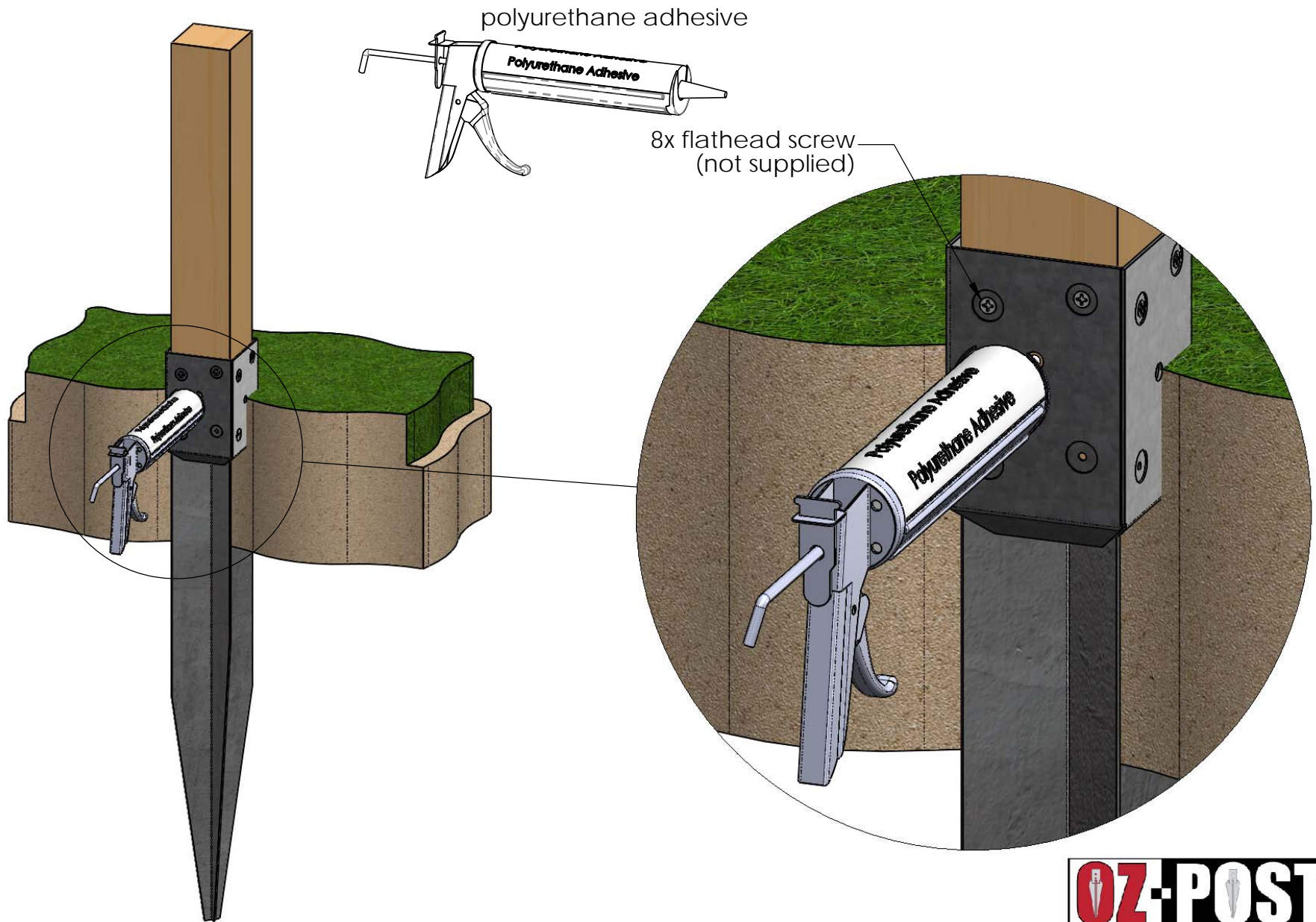


MDK installation

Installation Instructions, Wood Post Anchors

OZ-POST
instant post holes

OZCO BUILDING PRODUCTS

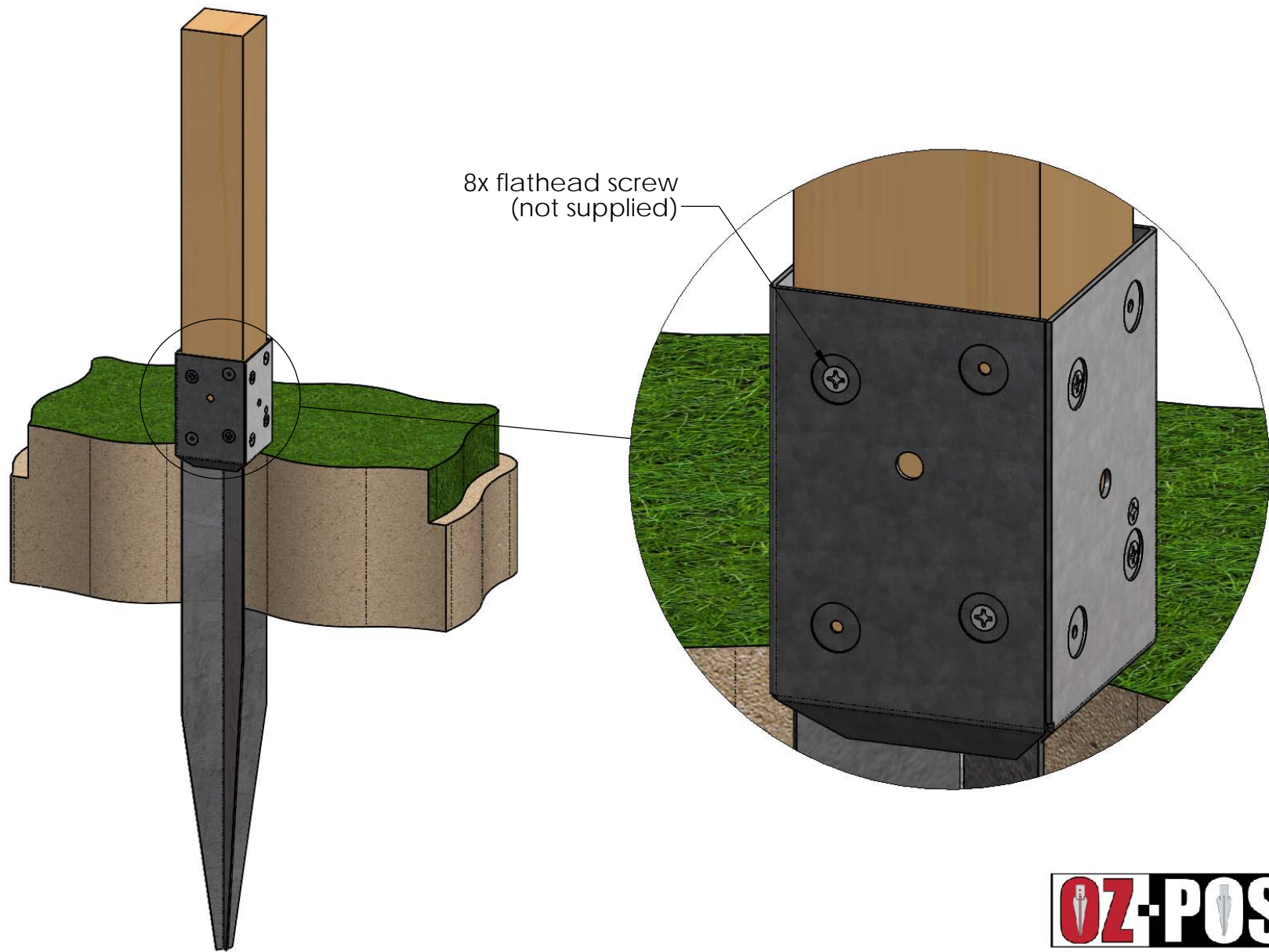


Method 1: halfway depth with screws & adhesive

Installation Instructions, Wood Post Anchors

OZ-POST
instant post holes

OZCO BUILDING PRODUCTS



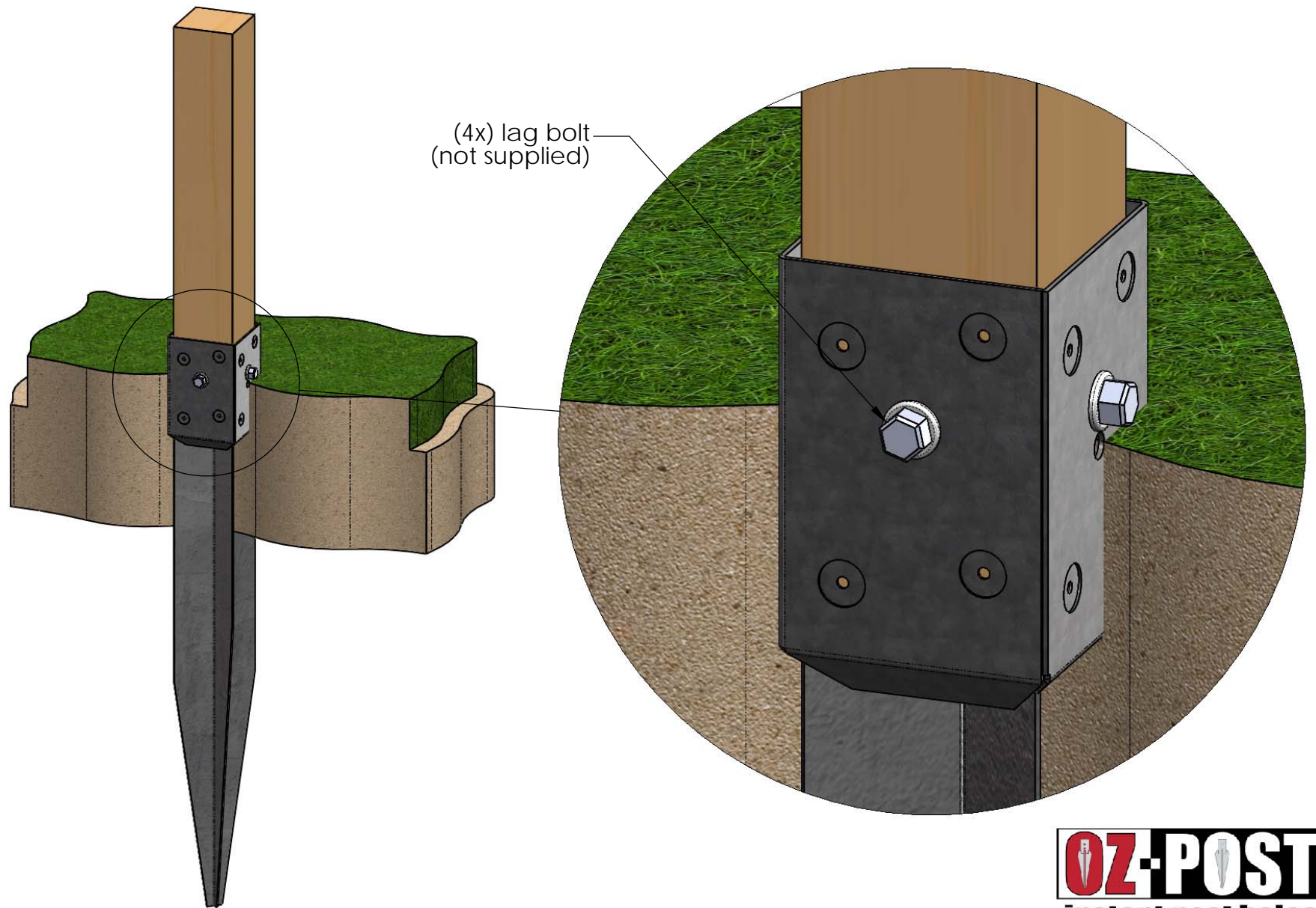
Method 2: ground level depth with screws

Installation Instructions, Wood Post Anchors

OZ-POST
instant post holes

OZCO BUILDING PRODUCTS

V2.00 - Installation Instructions, Specifications and Project Plans are effective 3/29/2016 . This information is updated periodically and should not be relied upon after 2 years from 3/29/2016 . Please visit OZCOBP.com to get current information.



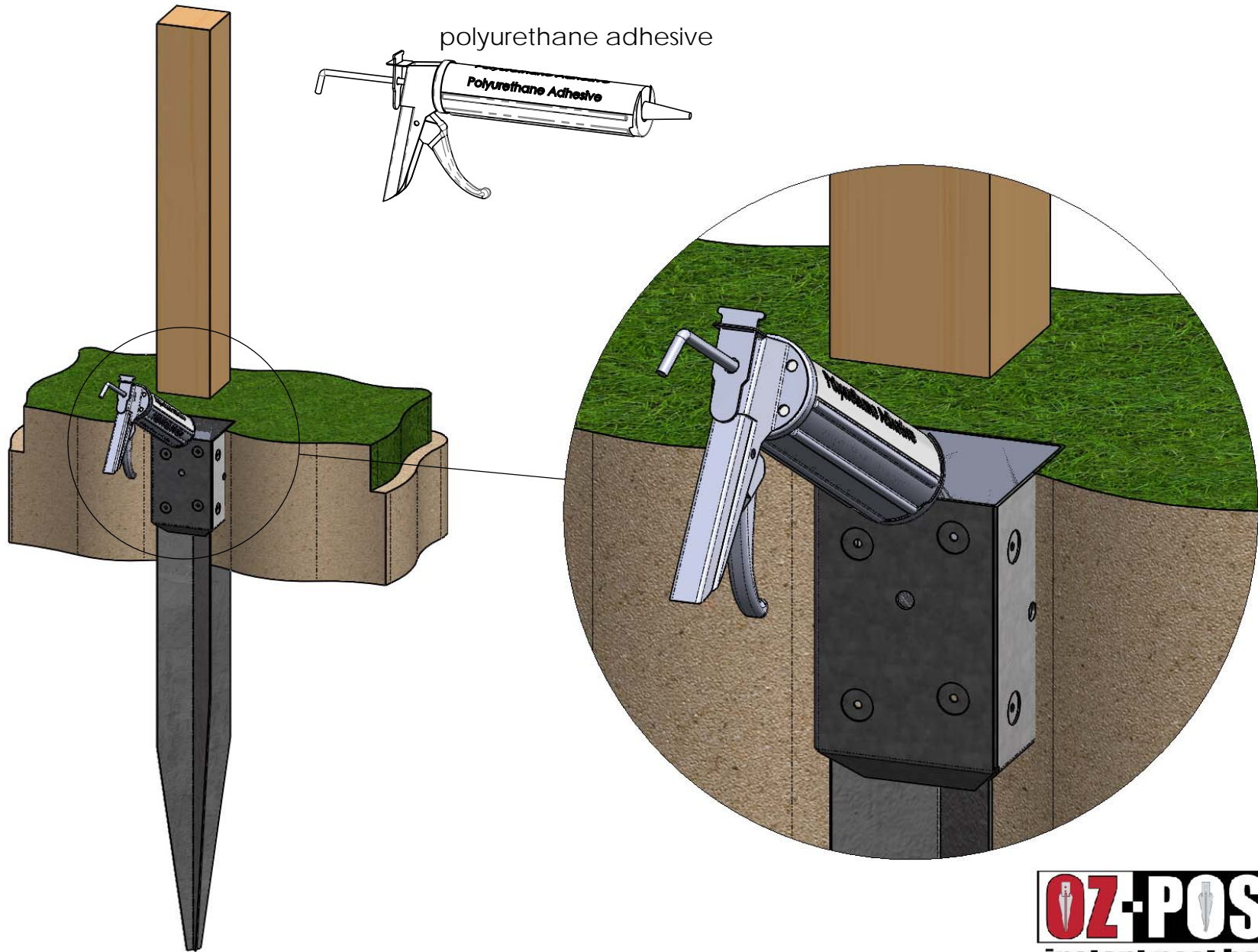
Method 3: halfway depth with lag bolts

Installation Instructions, Wood Post Anchors

OZ-POST
instant post holes

OZCO BUILDING PRODUCTS

V2.00 - Installation Instructions, Specifications and Project Plans are effective 3/29/2016 . This information is updated periodically and should not be relied upon after 2 years from 3/29/2016 . Please visit OZCOBP.com to get current information.

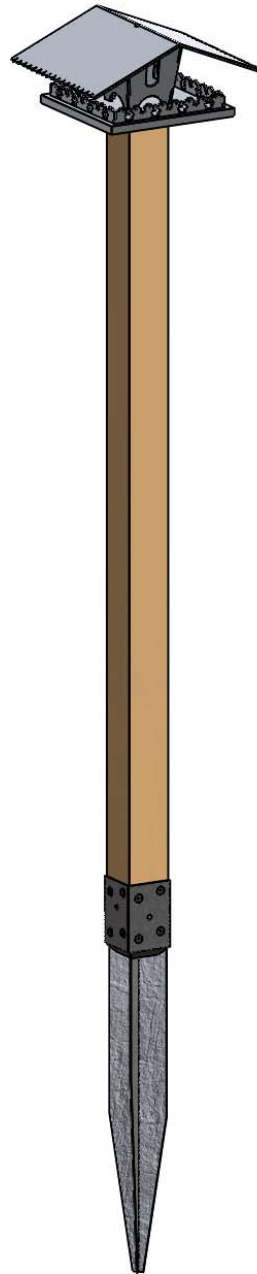
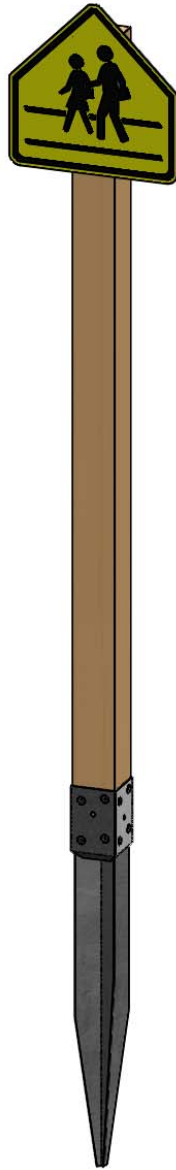
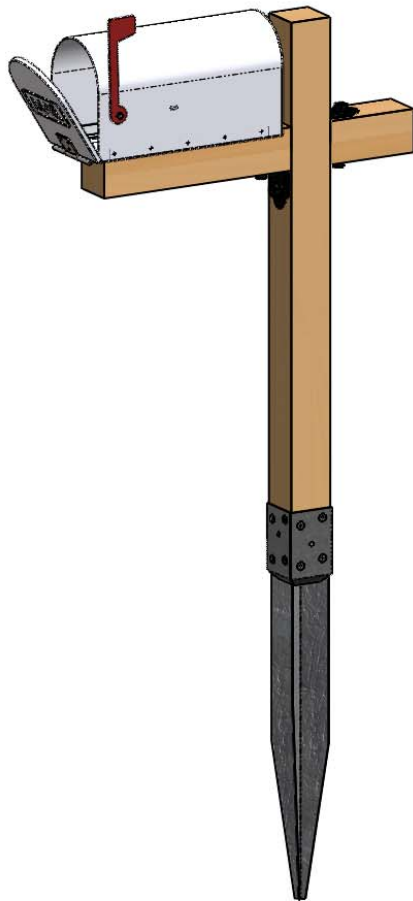


Method 4: full depth with adhesive

Installation Instructions, Wood Post Anchors

OZ-POST
instant post holes

OZCO BUILDING PRODUCTS



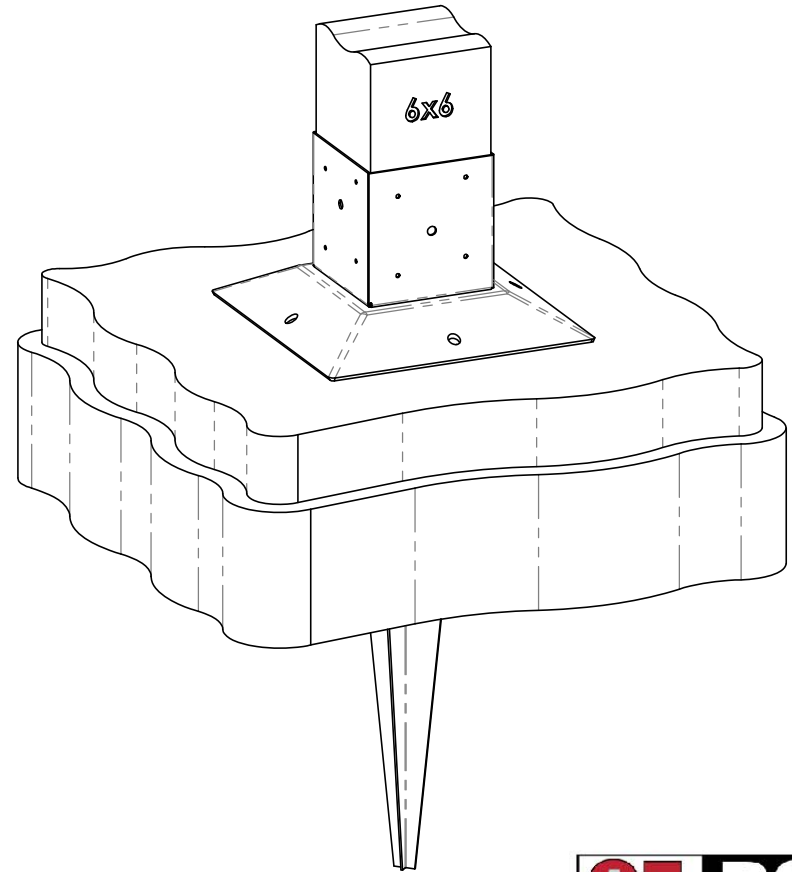
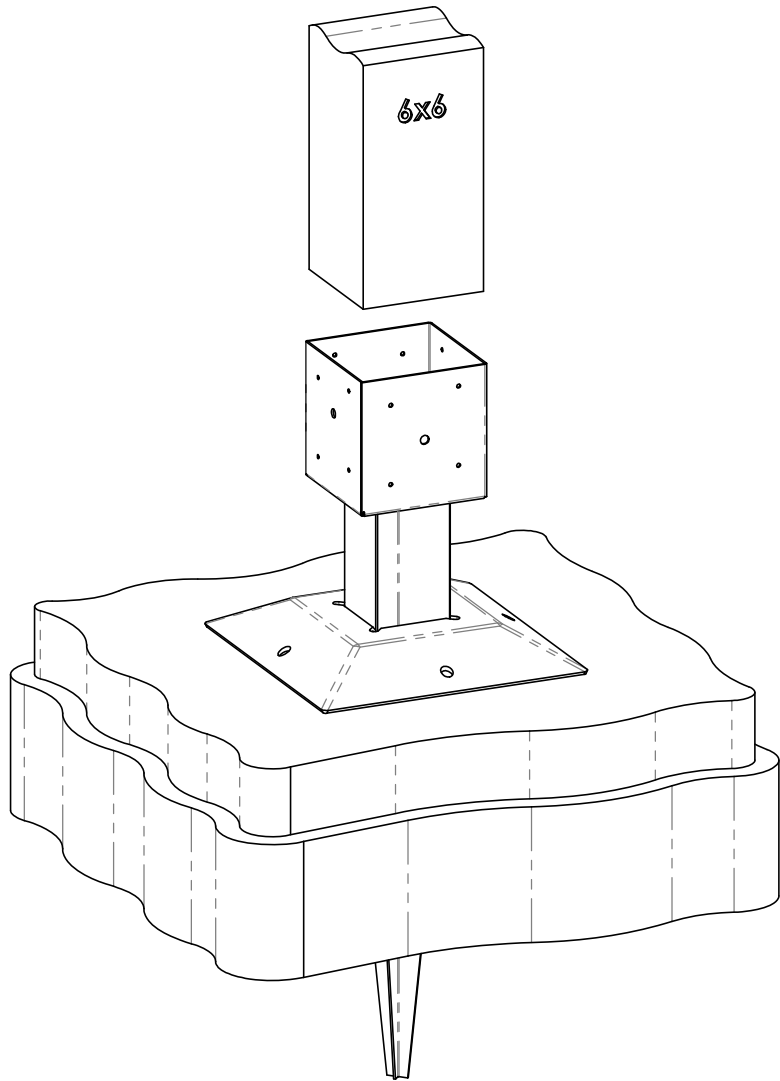
Idea's

Installation Instructions, Wood Post Anchors



OZCO BUILDING PRODUCTS

V2.00 - Installation Instructions, Specifications and Project Plans are effective 3/29/2016 . This information is updated periodically and should not be relied upon after 2 years from 3/29/2016 . Please visit OZCOBP.com to get current information.



with 50880

Installation Instructions, Wood Post Anchors

OZ-POST
instant post holes

OZCO BUILDING PRODUCTS

V2.00 - Installation Instructions, Specifications and Project Plans are effective 3/29/2016 . This information is updated periodically and should not be relied upon after 2 years from 3/29/2016 . Please visit OZCOBP.com to get current information.