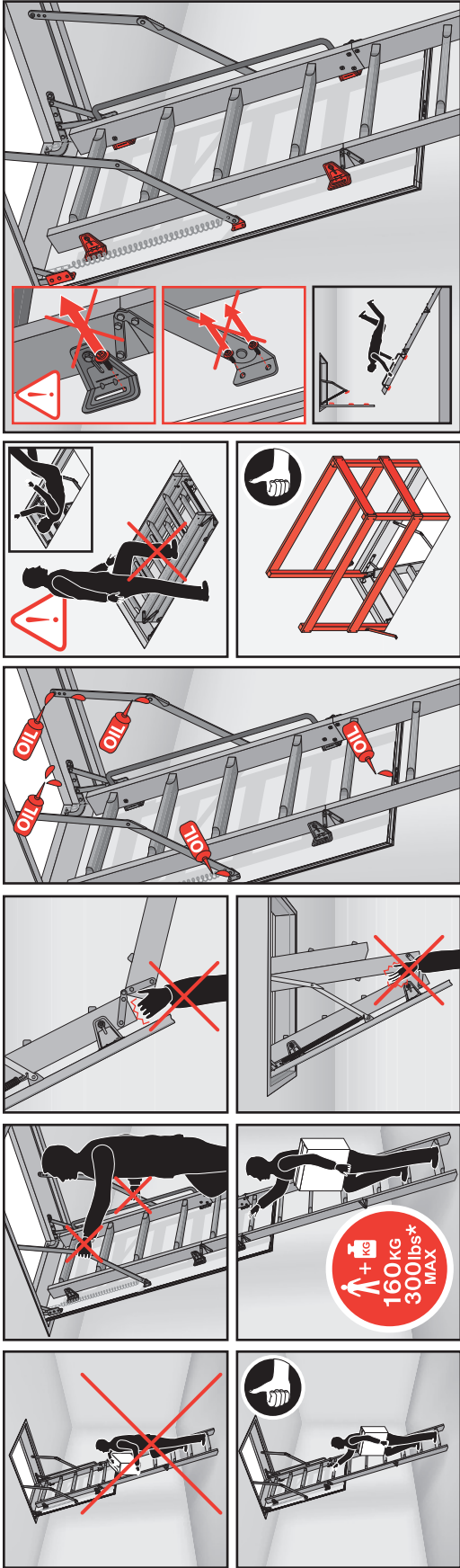


! WARNING! - ACHTUNG! - UWAGA! - AVERTISSEMENT!



www.fakro.com

EN 14975 : 2006

*ANSI 14.9 - 2004

FAKRO®

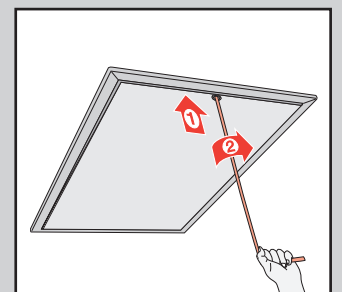
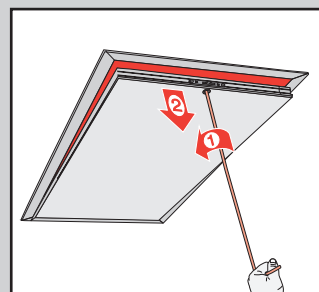
LWS LWS-P



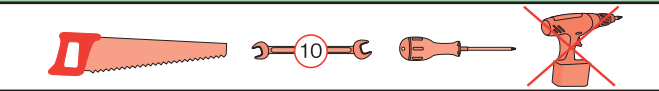
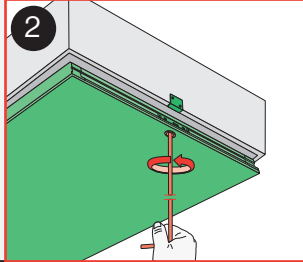
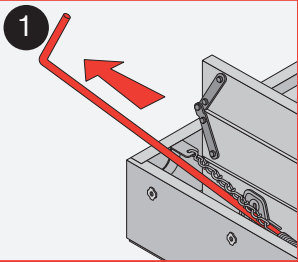
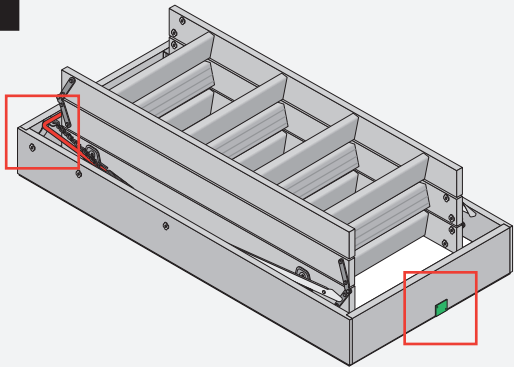
LWK LWK-P LTK



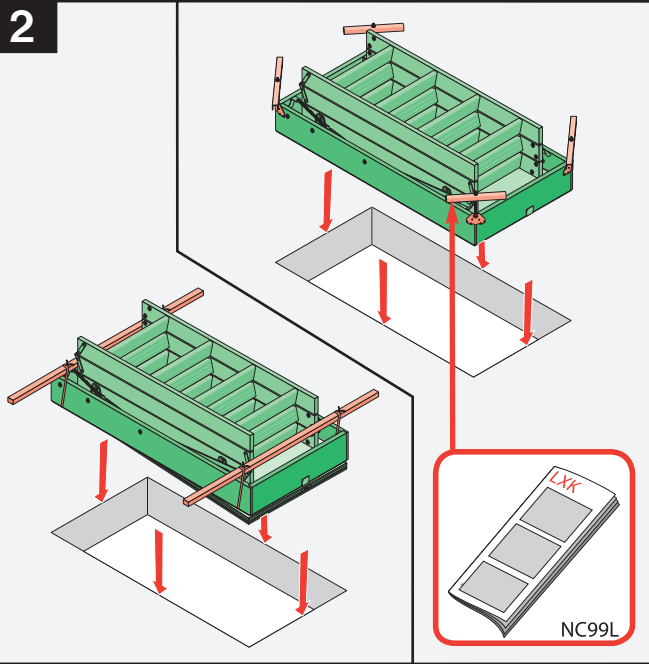
NC 99A



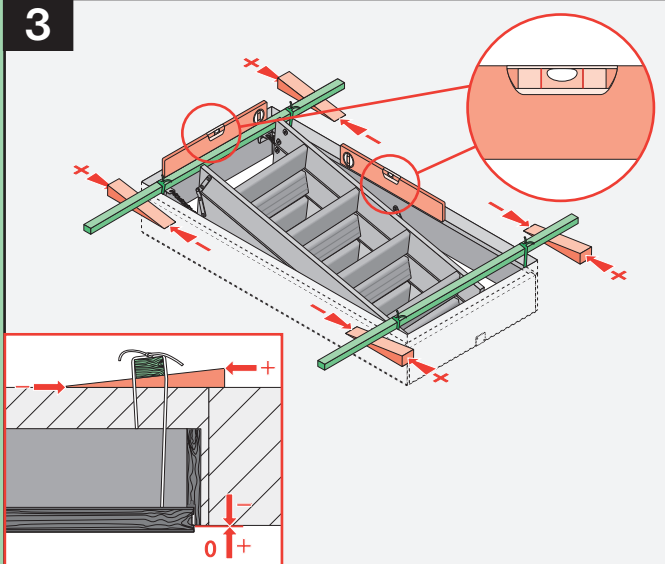
1



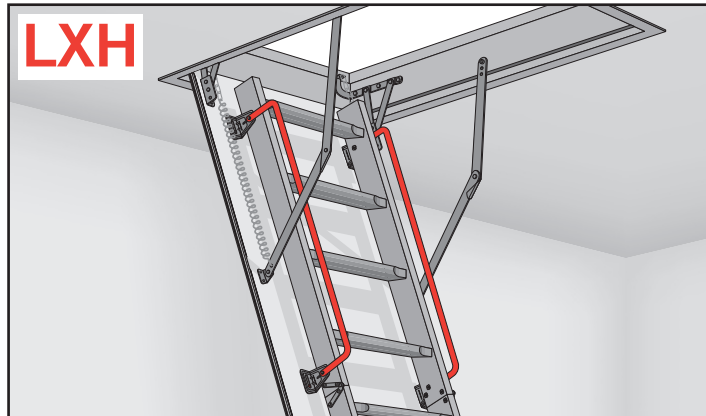
2



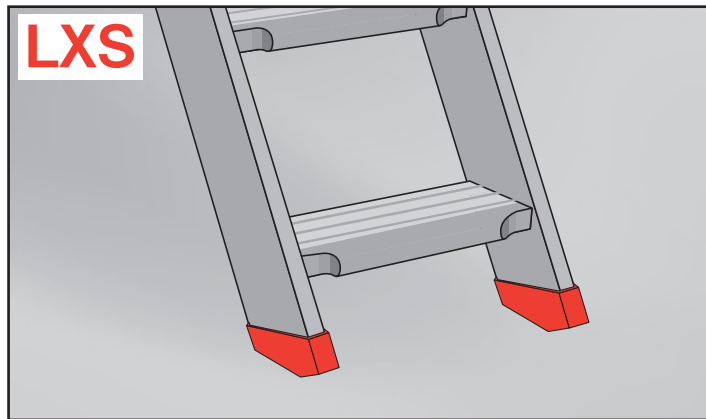
3



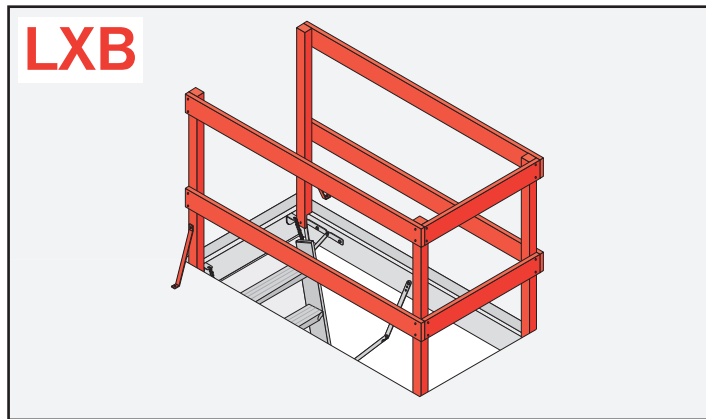
LXH



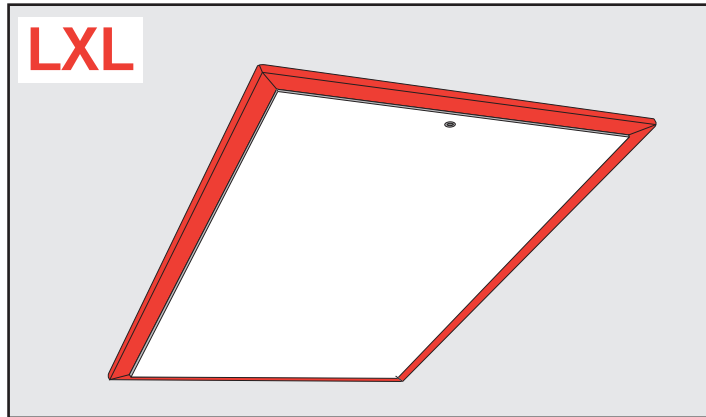
LXS



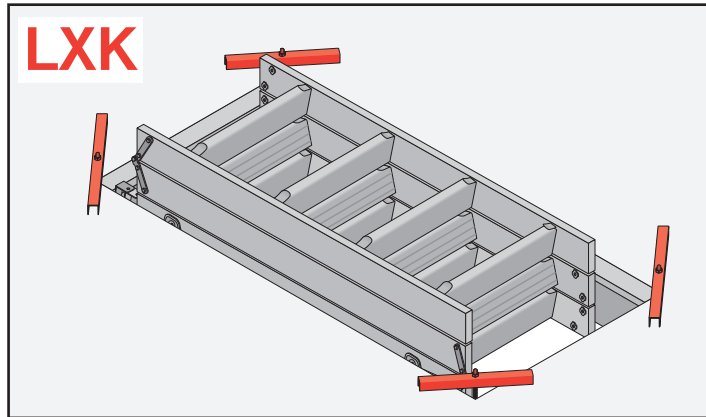
LXB



LXL



LXK

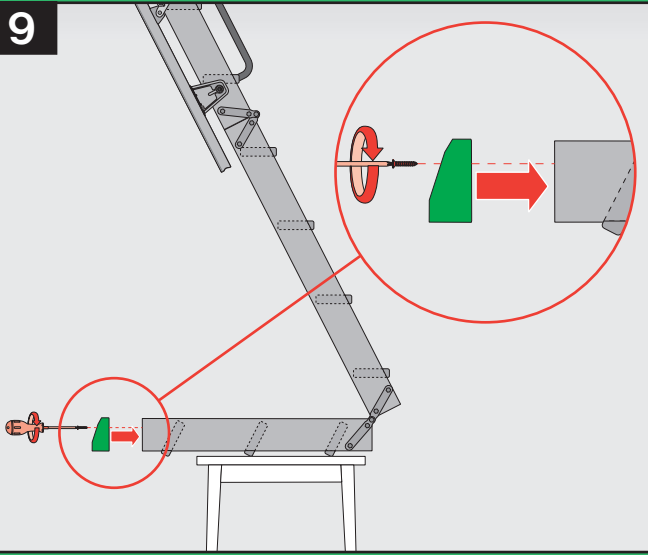


LWK

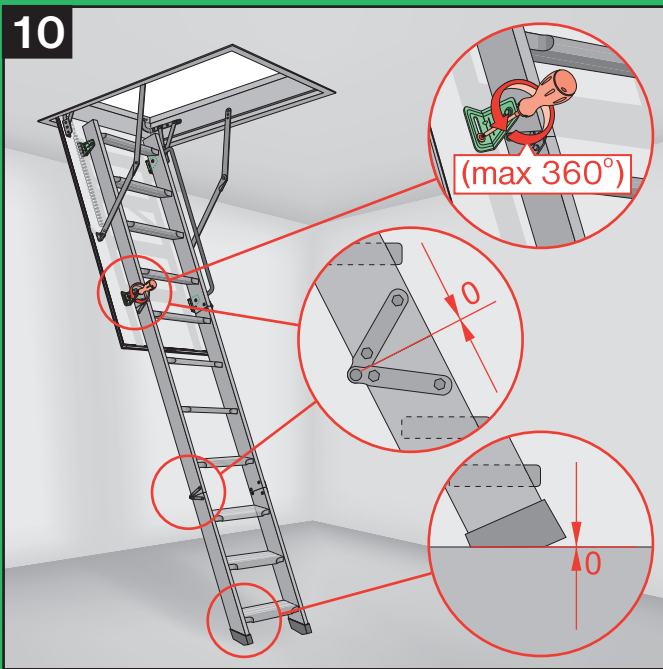
LWK-P

LTK

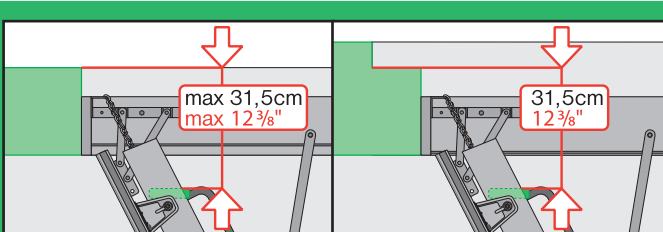
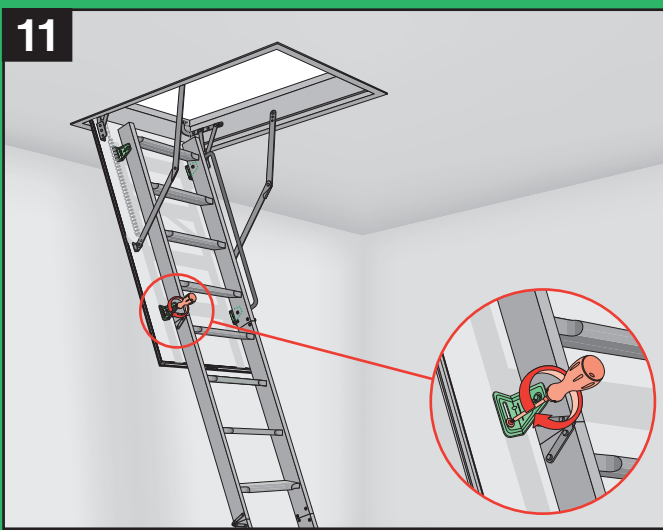
9



10



11

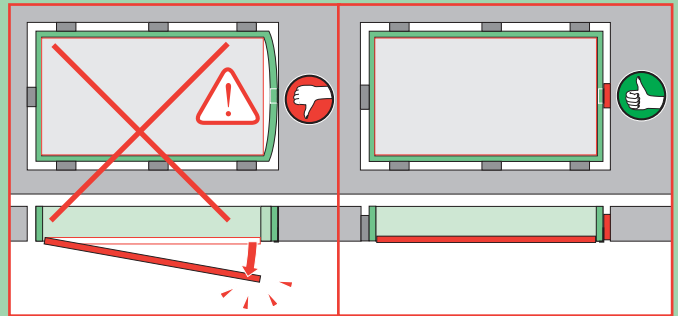
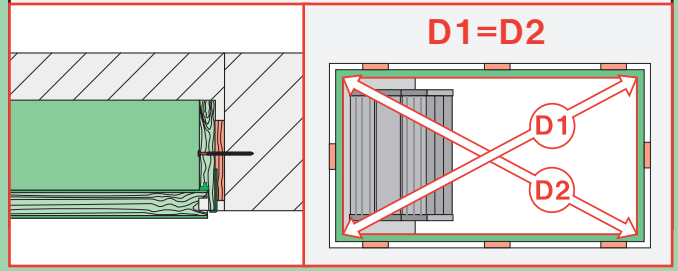
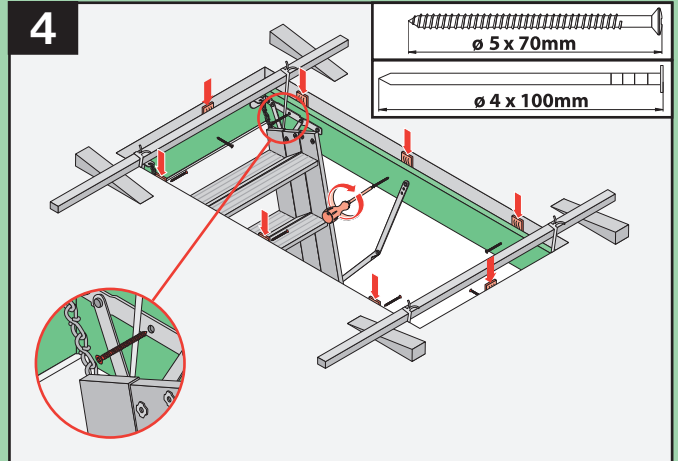


10

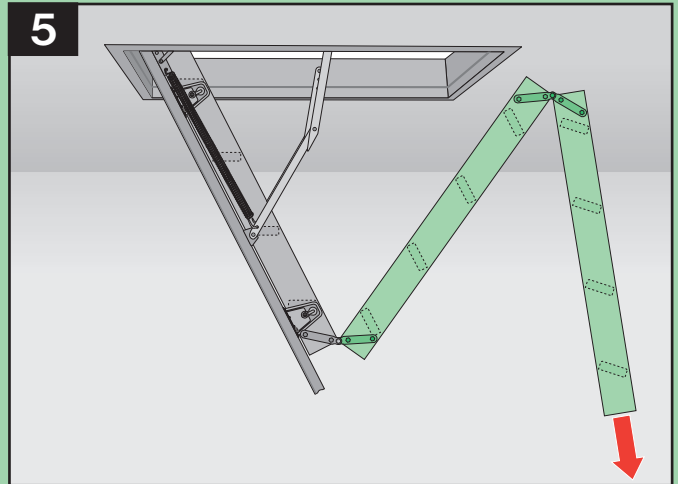
LWS

LWS-P

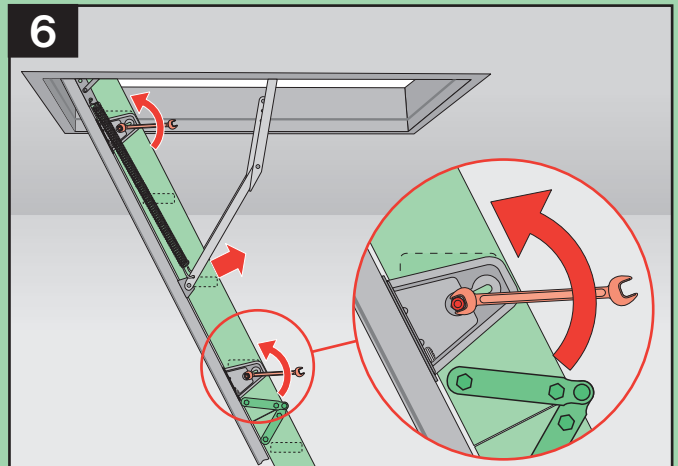
4



5



6

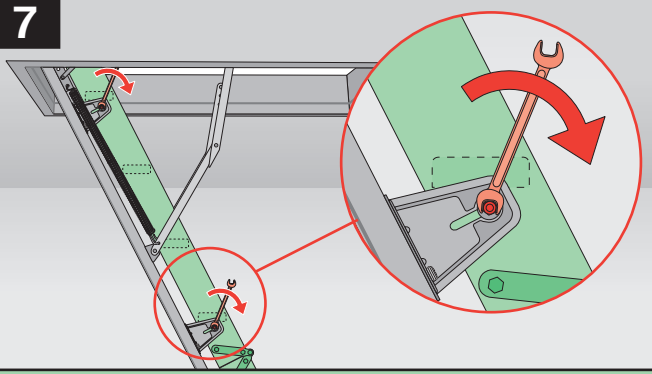


3

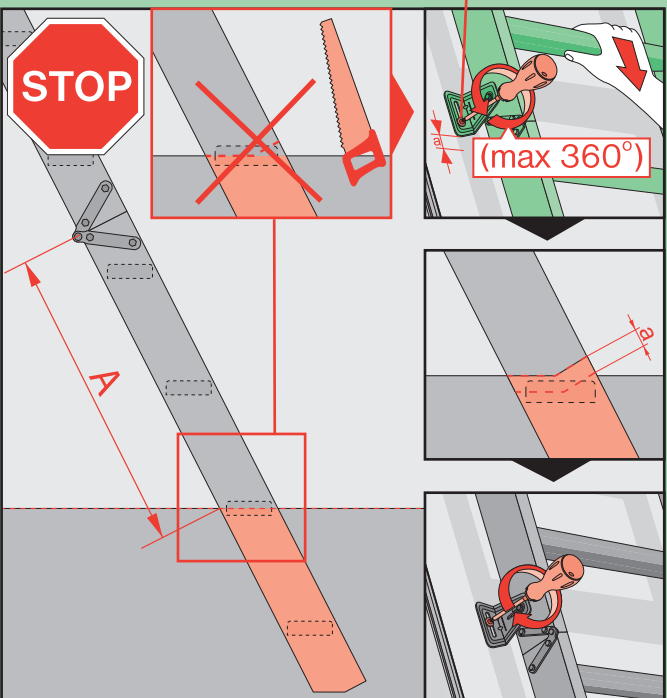
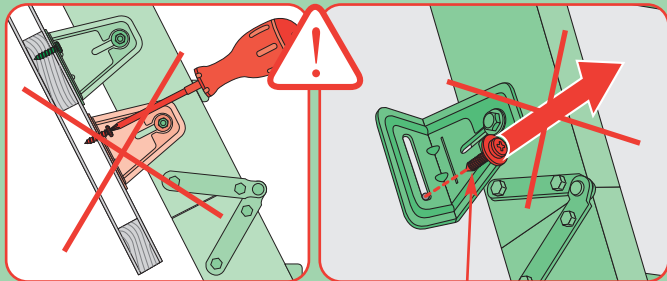
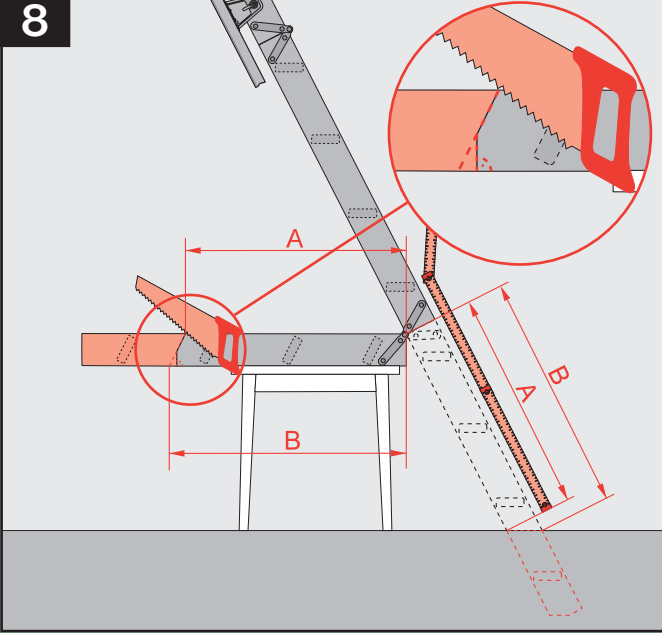
LWS

LWS-P

7



8

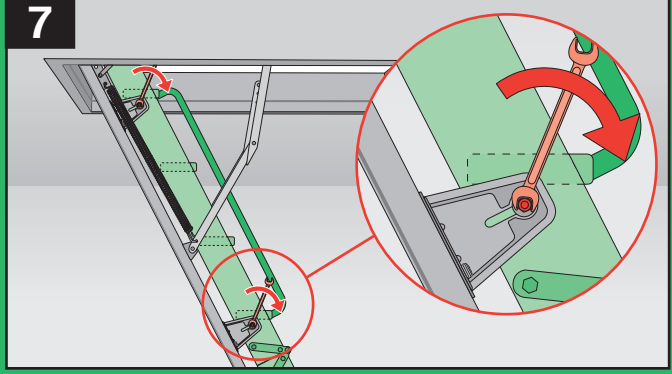


LWK

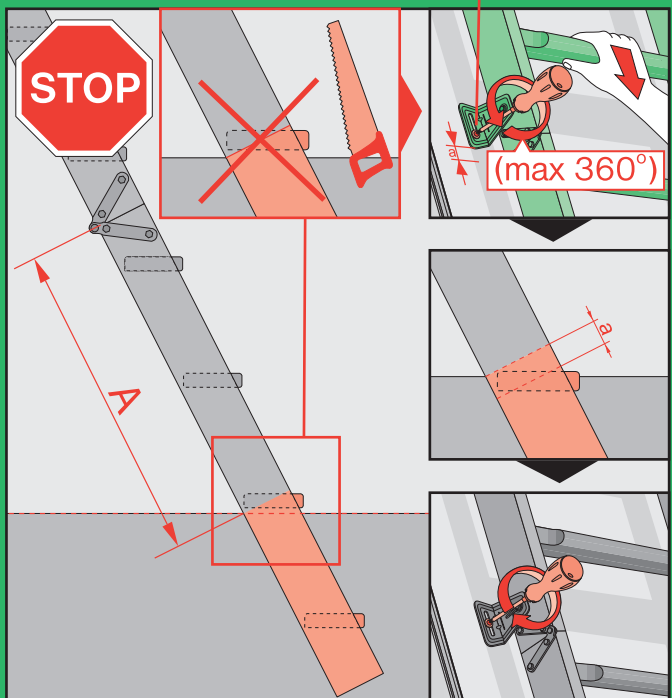
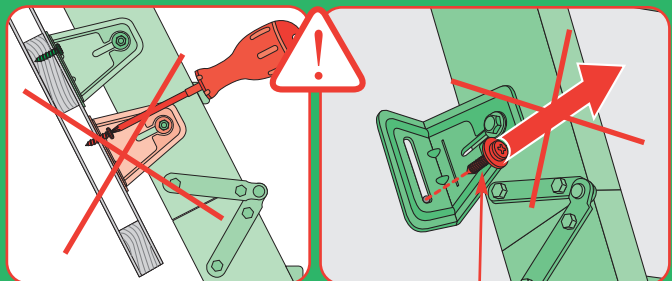
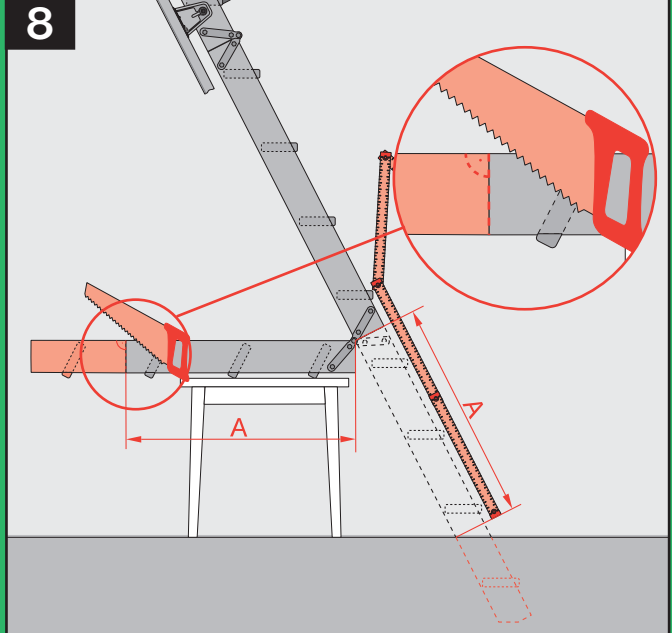
LWK-P

LTK

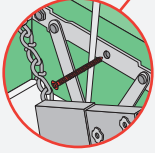
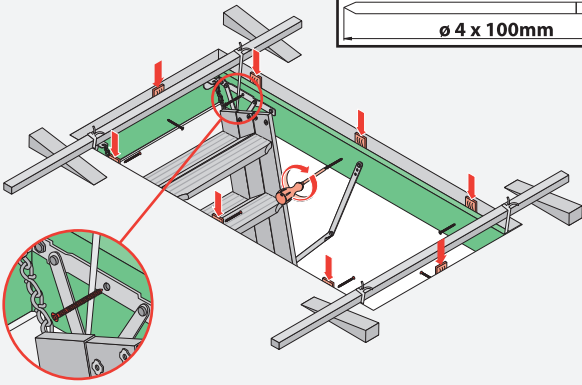
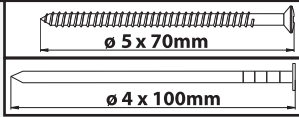
7



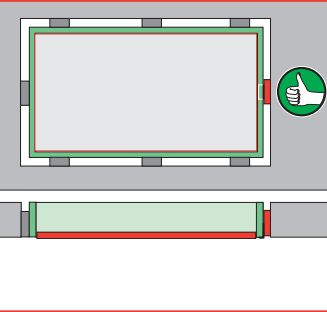
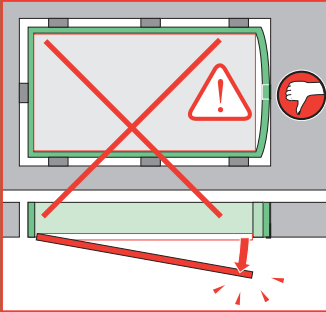
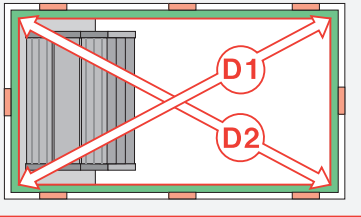
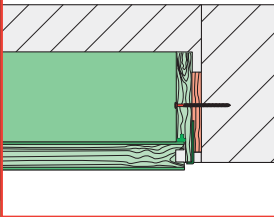
8



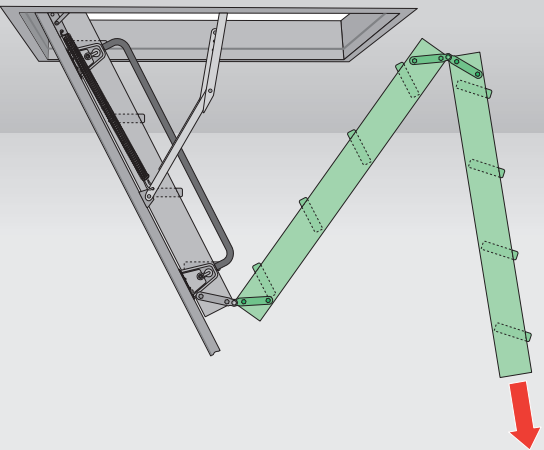
4



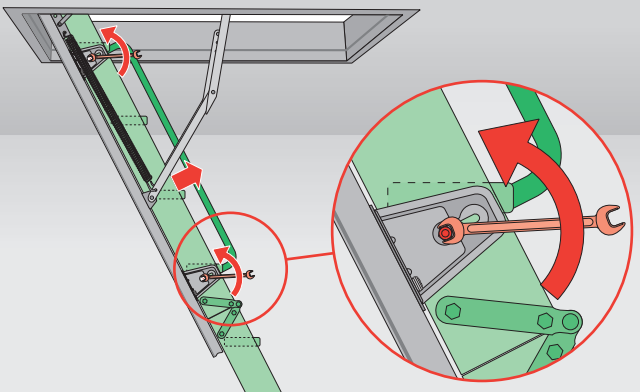
D1=D2



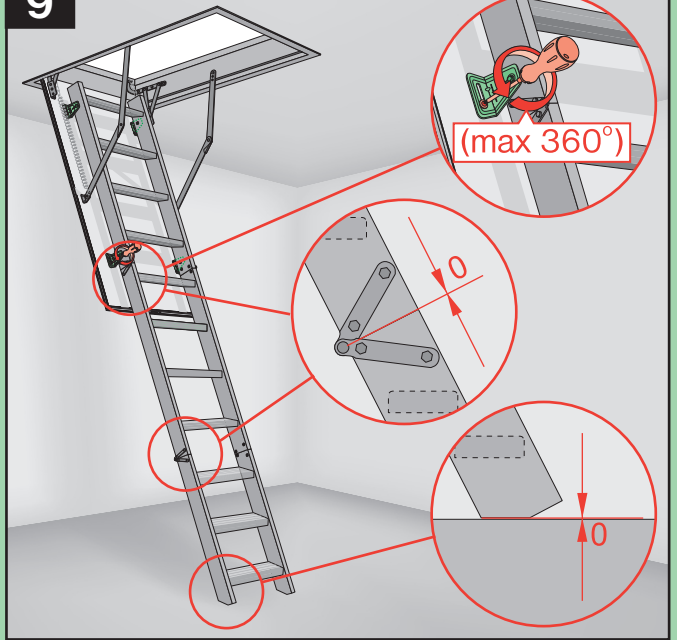
5



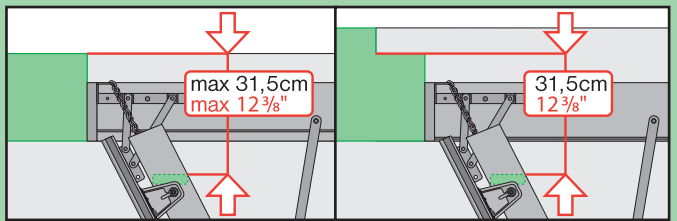
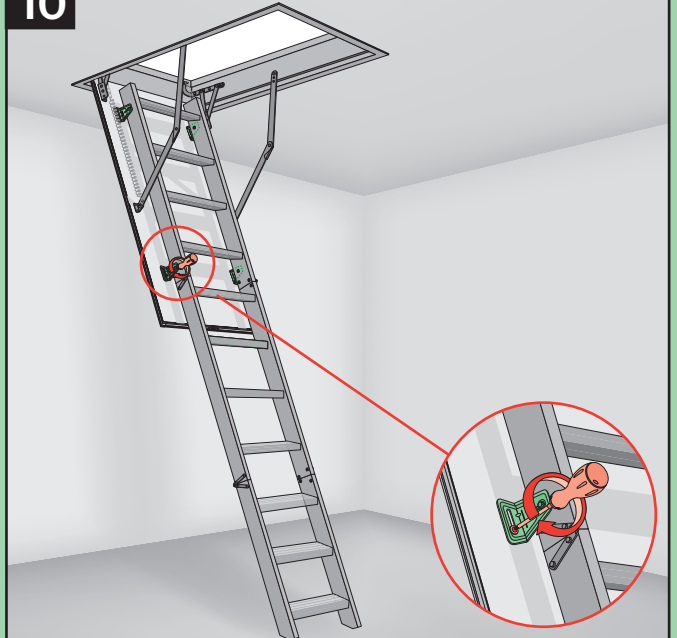
6

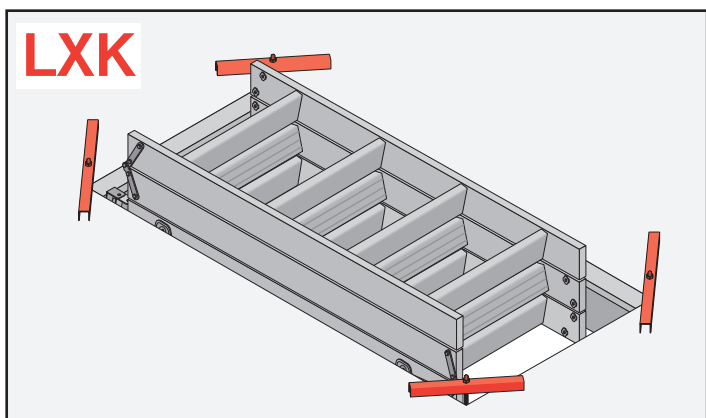
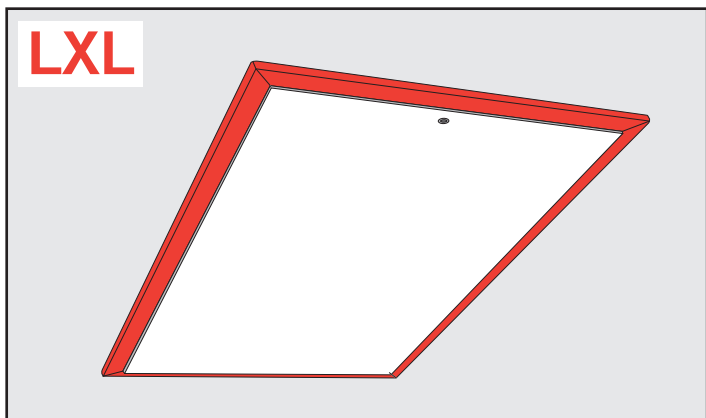
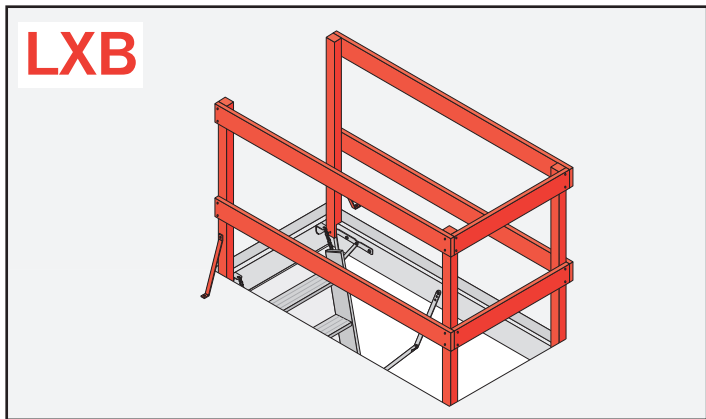
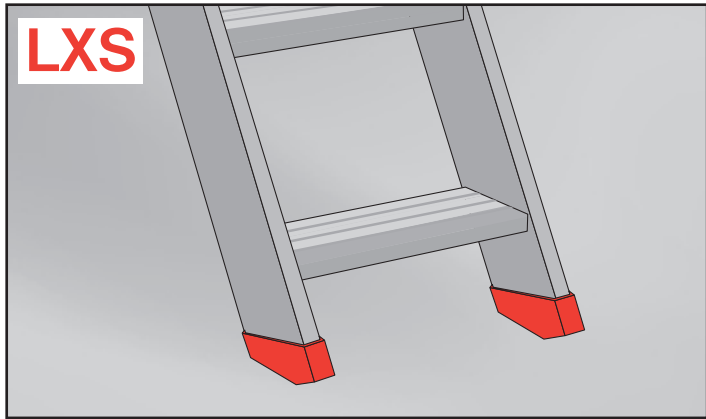
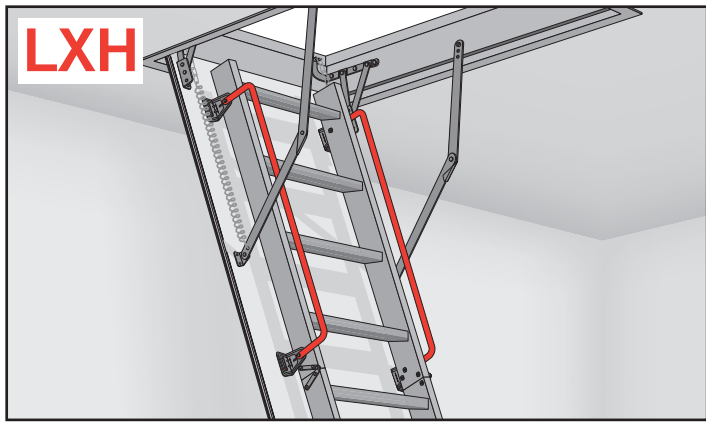


9



10





LWK

LWK-P

LTK

