

Pico Pedestal Model Number

Pedestals sold separately. Available in gloss finish only

L – PEDX – XX

Capacity Codes

Capacity	Code
Single	1
Double	2
Triple	3

Color Codes

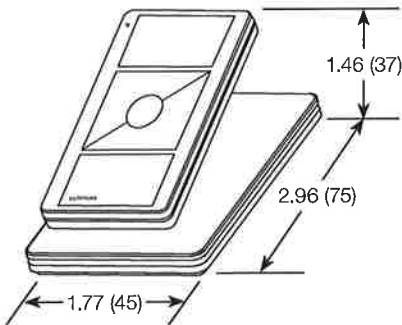
Color*	Code
White	WH
Black	BL

* Available in gloss finish only.

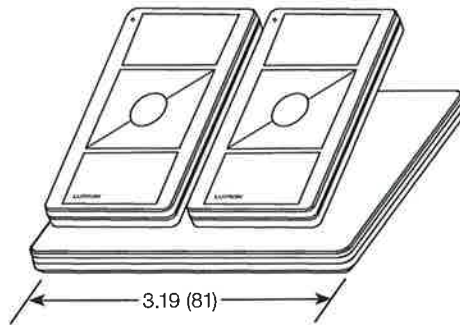
Pico Pedestal Dimensions

Measurements shown as: in (mm)

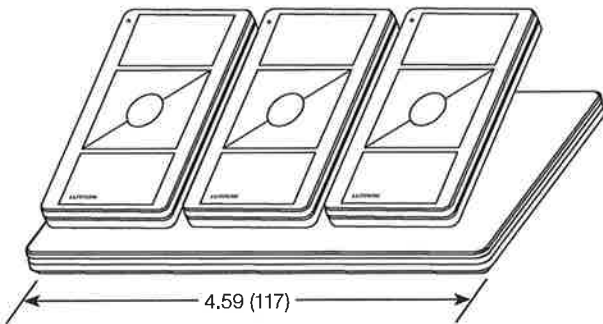
Single Pedestal



Double Pedestal



Triple Pedestal¹



¹ For Triple Pedestals contact your local Lutron sales office or visit us at www.lutron.com

Job Name:	Model Numbers:	
<input type="text"/>	<input type="text"/>	<input type="text"/>
Job Number:	<input type="text"/>	<input type="text"/>