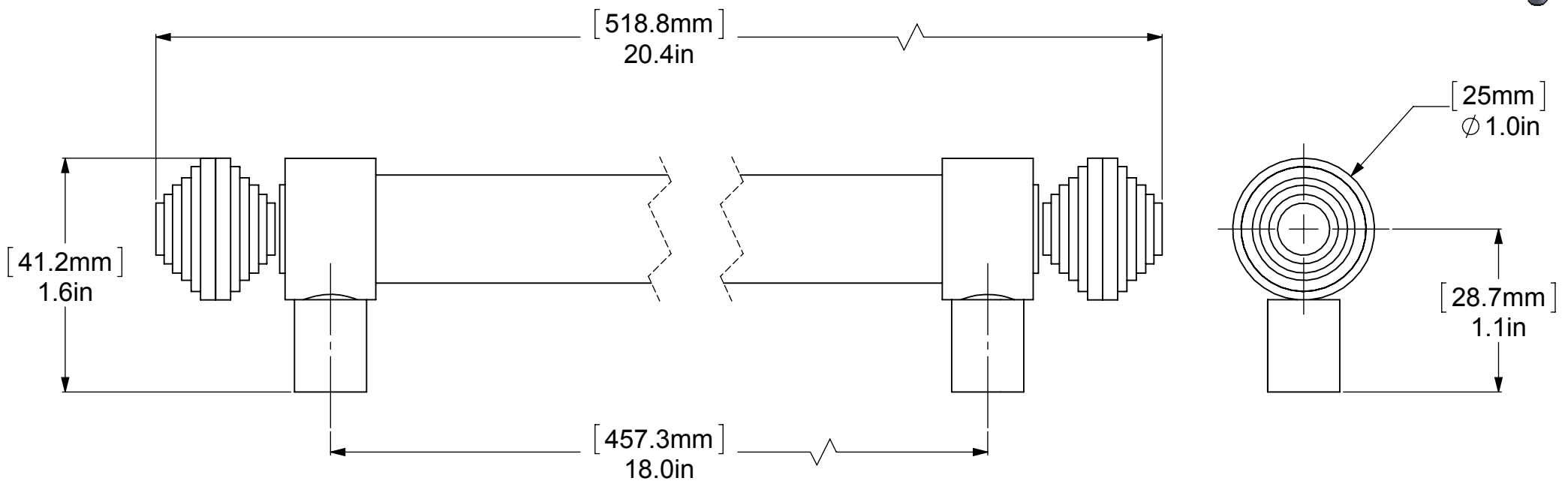
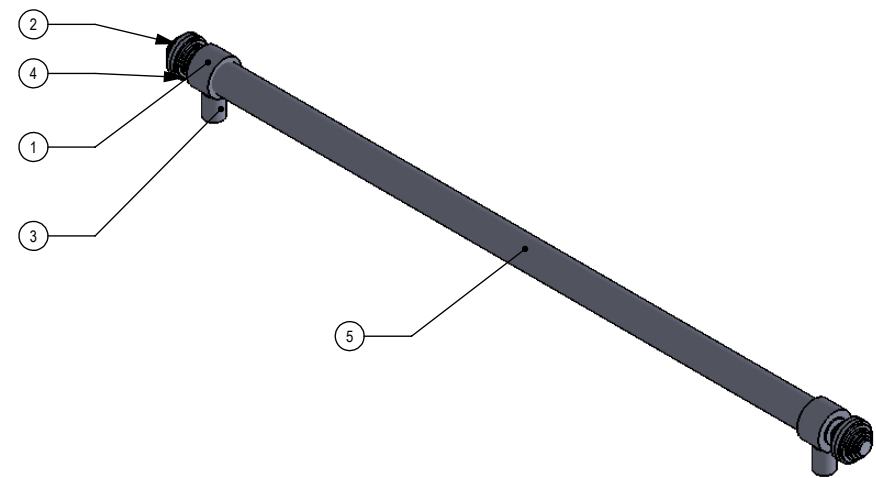


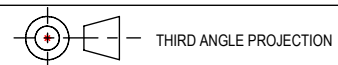
ITEM NO.	PART NUMBER	DESCRIPTION	QTY.
1	HB1T-1	HUB	2
2	CANY-1	TOP HUB	2
3	PSRD8-12	BASE	2
4	RGNY-1	BOTTOM HUB	2
5	TU34-17.5	TUBE	1



UNLESS OTHERWISE STATED

.X	±.3mm
.XX	±.15mm
.XXX	±.008mm

COPYRIGHT © Allied Brass 2017



DRAWN	5/17/2017	I.M
CHECKED	5/17/2017	P.D
APPROVED	5/17/2017	R.A

MATERIAL: BRASS

DESCRIPTION: 18 Inch Refrigerator Pull

FINISH	TBD
QUANTITY	TBD
DRAWING No.	REV
SB-30-RP	0
SCALE	SHEET: 01
1:1	A4