

TINA BASIN

Cat. No.
4-551



Faucet not included

W: 15 3/4"
D: 9 3/4"
H: 6 3/4"
Flange: 3" x 1 1/2" deep

Features:

- ▶ Made of Vitreous China
- ▶ 1-hole on Right, Standard
- ▶ Hole Can be Drilled on Left for \$20 (Will Have 2 holes)
- ▶ Traditional Style
- ▶ Mounting Hardware Included

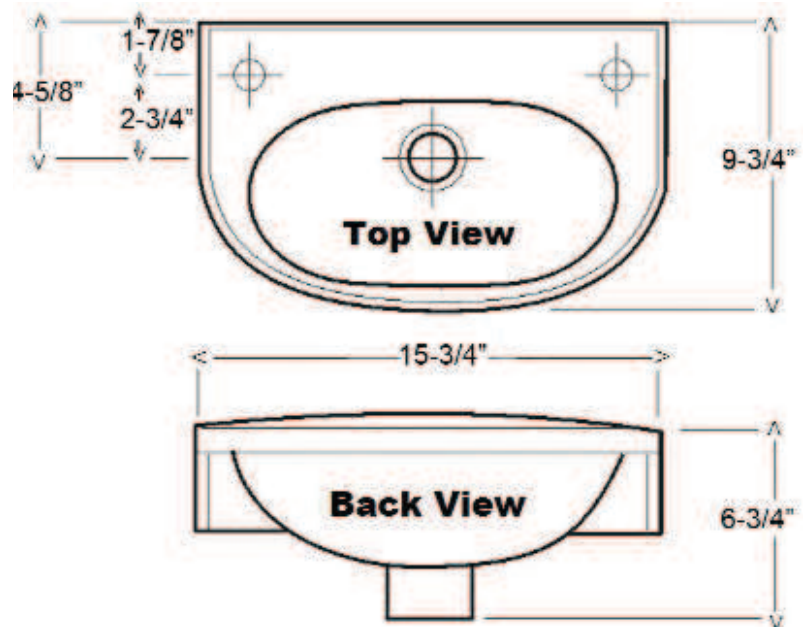
Colors:

WH White
BQ Bisque
BL Black

Meets or exceeds the following specifications: ASME A112.19.2 2008 and CSA B45.1-08 for ceramic plumbing fixtures.

Interior Dimensions:

Basin Interior: 12" x 6"
Basin Depth: 5 1/4"
Spout hole: 1 3/8"



Dimensions of fixture are nominal and may vary within the range of tolerances established by ASME Standard A112.19.2. Dimensions and specifications subject to change without notice.