

Features

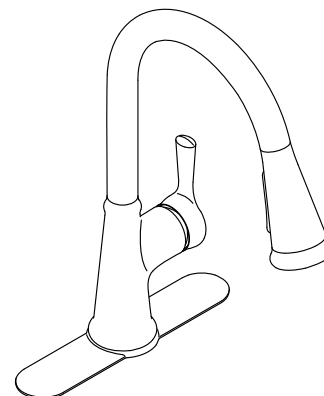
- Single-lever handle is simple to use and makes adjusting water temperature easy.
- High-arch swivel spout offers superior clearance for filling pitchers and cleaning.
- Ceramic disc valve exceeds industry longevity standards, ensuring durable performance for life.
- Two-function pull-down sprayhead with touch-control allows you to switch from stream to Sweep® spray.
- Sweep® spray features specially angled nozzles that form a wide, powerful blade of water to sweep your dishes and sink clean.
- ProMotion® technology's light, quiet braided hose and swiveling ball joint make the pull-out sprayhead easier and more comfortable to use.
- DockNetik®, a magnetic docking system located within the spout, smoothly glides and securely locks the sprayhead into place.
- MasterClean™ sprayface features an easy-to-clean surface that withstands mineral buildup.
- 1.5 gal/min (5.7 l/min) maximum flow rate [max at 60 psi (4.14 bar)]

Material

- Premium metal construction.
- KOHLER finishes featuring ScratchShield™ withstands even the toughest of daily use.

Installation

- Installs with 1-, 2-, or 3-hole sink (escutcheon plate included).
- Flexible supply lines and quick connect fittings make installation easy.
- Longer shank works with countertops between 1/2" to 2-1/2" inches thick. Simply hand-tighten and secure with a screwdriver. For thinner countertops additional material may be required.



ADA CSA B651

Codes/Standards




ASME A112.18.1/CSA B125.1
NSF/ANSI 61
NSF/ANSI 372
All applicable US Federal and State material regulations
DOE - Energy Policy Act 1992
California Energy Commission (CEC)
ADA
ICC/ANSI A117.1
CSA B651

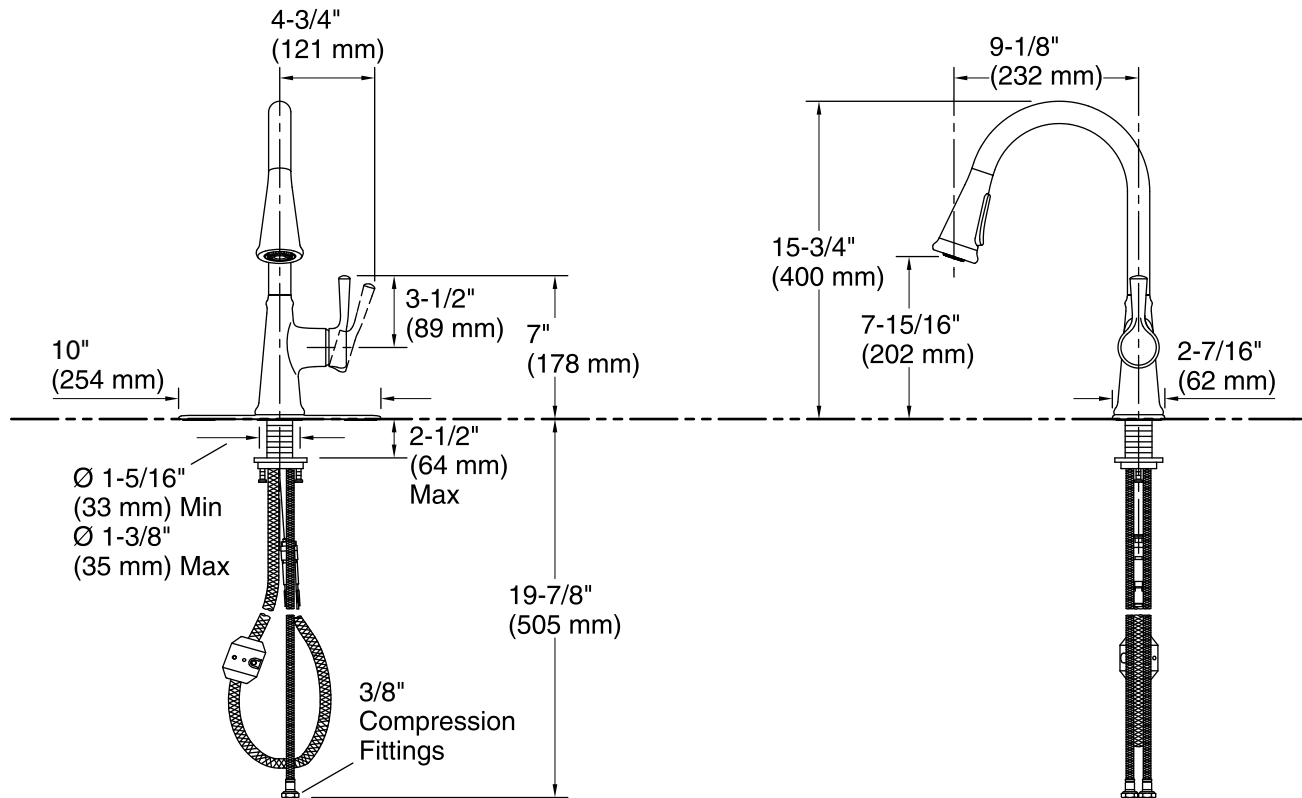
KOHLER® Faucet Lifetime Limited Warranty

See website for detailed warranty information.

Available Color/Finishes

Color tiles intended for reference only.

Color	Code	Description
	CP	Polished Chrome
	VS	Vibrant® Stainless
	2BZ	Oil-Rubbed Bronze



Technical Information

All product dimensions are nominal.

Faucet:

Flow rate: 1.5 gal/min (5.7 l/min)
 Pressure: 60 psi (4.1 bar)
 Valve body: Machined-brass

Notes

Install this product according to the installation instructions.

ADA, CSA B651 compliant when installed to the specific requirements of these regulations.