

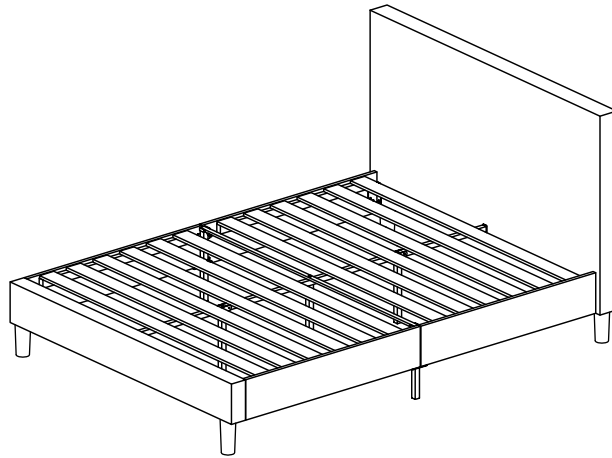
StyleWell™

Model #: XDL1007 - BED

Item #: 1004126199/1004123185

USE AND CARE GUIDE

Leblanc Upholstered Bed with Straight Back and Tufting-King



Questions, problems, missing parts? Before returning to the store, Customer Service.

8 a.m. - 7 p.m., EST, Monday - Friday, 9 a.m. - 6 p.m., EST, Saturday

1-877-527-0313

HOMEDEPOT.COM

THANK YOU

We appreciate the trust and confidence you have placed in StyleWell through the purchase of this Leblanc Upholstered Bed with Straight Back and Tufting-King. We strive to continually create quality products designed to enhance your home. Visit us online to see our full line of products available for your home improvement needs. Thank you for choosing Stylewell!

Table of Contents

Table of Contents	2		
Safety Information	3	Maintenance	11
Warranty	4	Care and Cleaning	11
What is Covered	4		
What is Not Covered	4		
Pre-Assembly	4		
Planning Assembly	4		
Tools required	4		
Hardware Included	4		
Package Contents	4		
Assembly	6		

Safety Information

Please read and understand this entire manual before attempting to assemble, operate or install the product. If you have any question regarding the product, please call customer service at 1-877-527-0313, 8 a.m. - 7 p.m., EST, Monday - Friday, 9 a.m. - 6 p.m., EST, Saturday

- Read these instructions carefully and retain them for future use. If this product is passed to a third party, then these instructions must be included.
- When using the product, basic safety precautions should always be followed to reduce the risk of injury including the following:
 - Ensure there are no missing parts prior to assembly.
 - Assemble the product on a carpet to prevent damage.
 - Be careful not to cross-thread screws and do not use power tools.
 - Before using the product be sure that it is completely and properly assembled.
 - Two people are required for assembly.
 - Assembly to be carried out by competent adults only.
 - During assembly children should be kept away from the product to avoid possible risk of injury.
 - Keep all hardware parts away from children.
 - Dispose of plastic packaging material immediately to avoid any risk of suffocation.
 - Regularly check screws to ensure they are tightened securely.



WARNING:

Keep all hardware parts away from children.



CAUTION:

Before assembly, carefully use scissors or a utility knife to cut and unwrap all parts. Make sure you do not discard the hardware.



DANGER:

Dispose plastic packaging material immediately to avoid any risk of suffocation to children and animals.

WARRANTY

1 YEAR WARRANTY

WHAT IS COVERED

We guarantee this product to be free of manufacturing defects to the original purchaser for one year.

WHAT IS NOT COVERED

This warranty does not cover commercial use, acts of nature, and abusive use.

Pre-Assembly

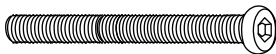
· Planning Assembly

- Remove all packaging materials, staples and packing straps from the carton.
- Refer to Parts List and Hardware List, and ensure parts and hardware are correct before assembly.
- Contact customer service for missing parts.
- Place all wooden parts on a clean, flat and soft surface (e.g. carpet or rug) to prevent scratch and damage to parts

· HARDWARE INCLUDED



NOTE: Hardware not shown to actual size.



AA

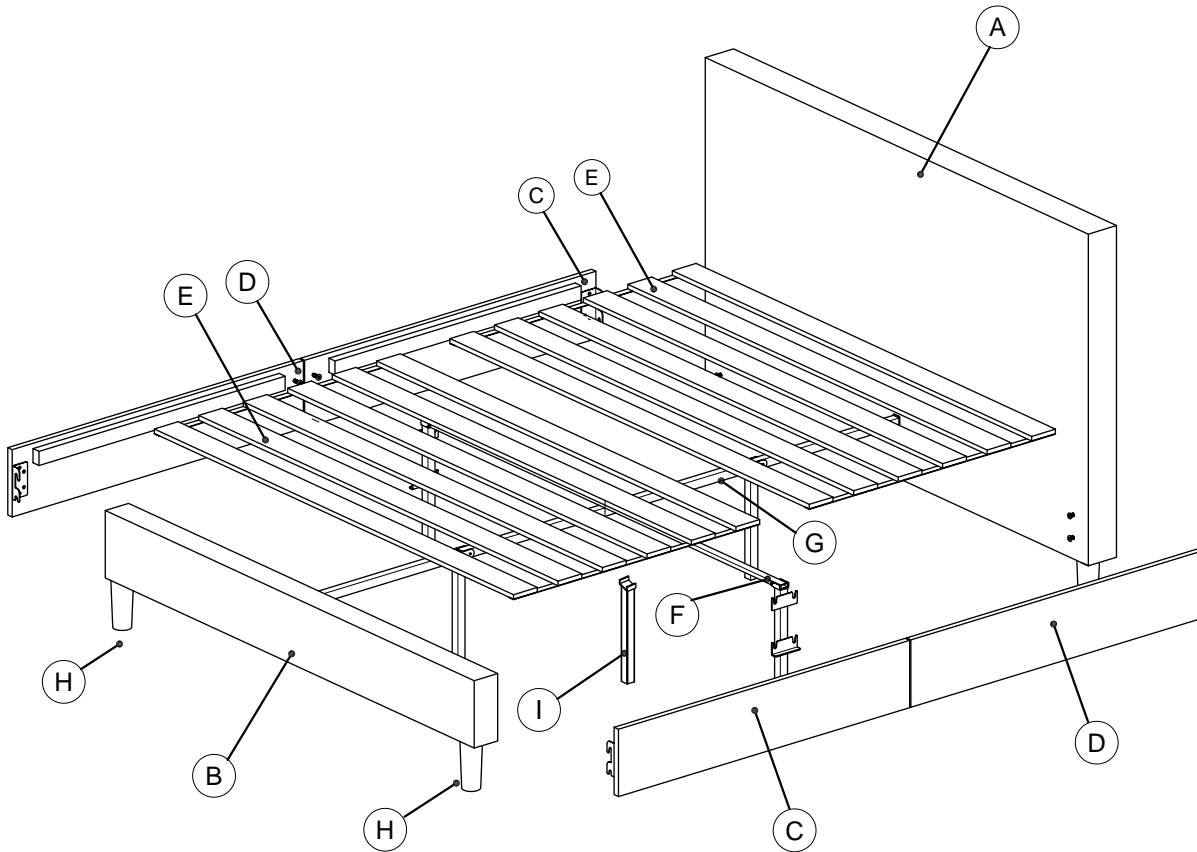


BB

Part	Description	Quantity
AA	Screws	1
BB	Allen Key	1

Pre-Assembly (cont.)

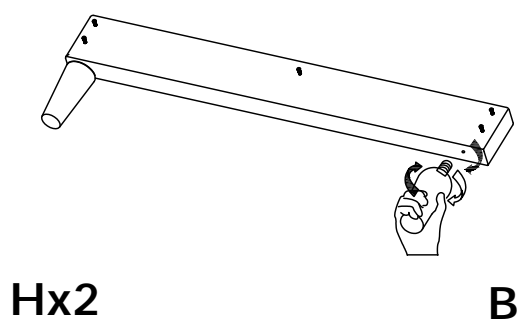
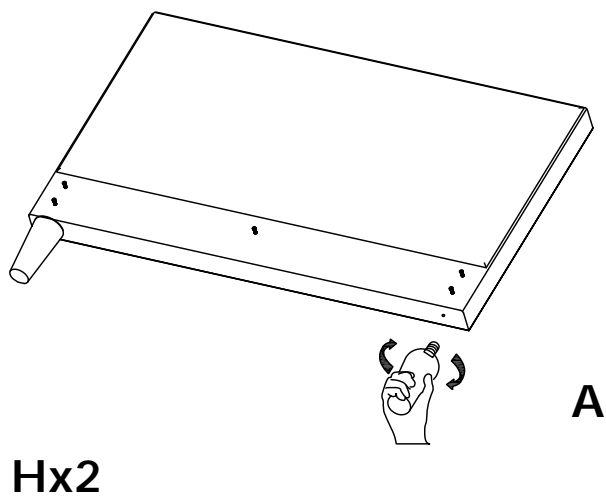
· PACKAGE CONTENTS



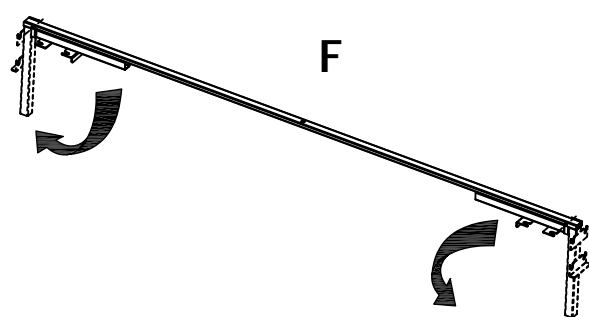
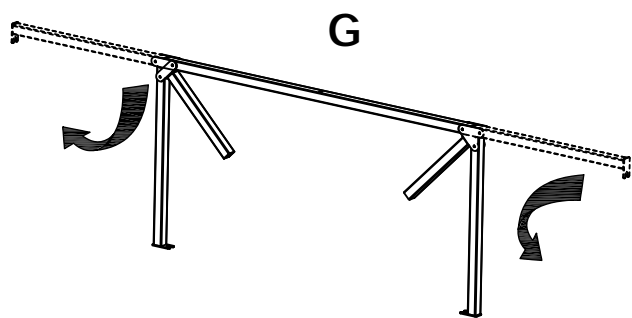
Part	Description	Quantity
A	Headboard	1
B	Footboard	1
C	Right bed frame	2
D	left bed frame	2
E	Wood slats	2
F	Horizontal metal support	1
G	Middle metal support	1
H	Wood legs	4
I	Metal legs	1

Assembly

1. Attach wood legs (H) to headboard (A) and footboard (B).

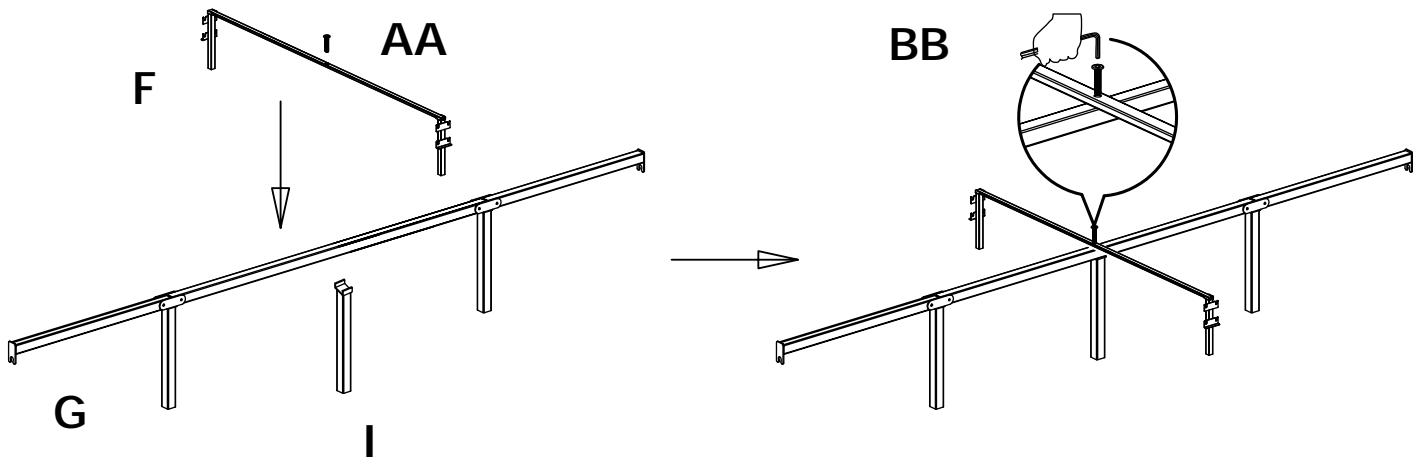


2. Open middle metal support (G) and horizontal metal support (F).

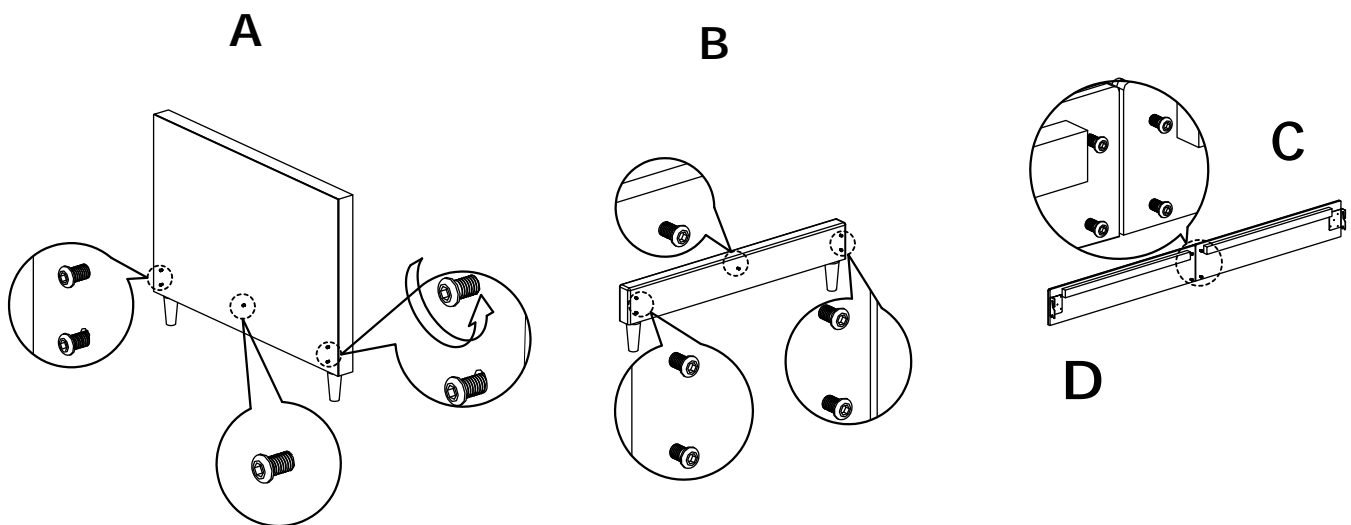


Assembly

3. Put middle metal support(G) and horizontal metal support(F) together with screws(AA) by allen key(BB).

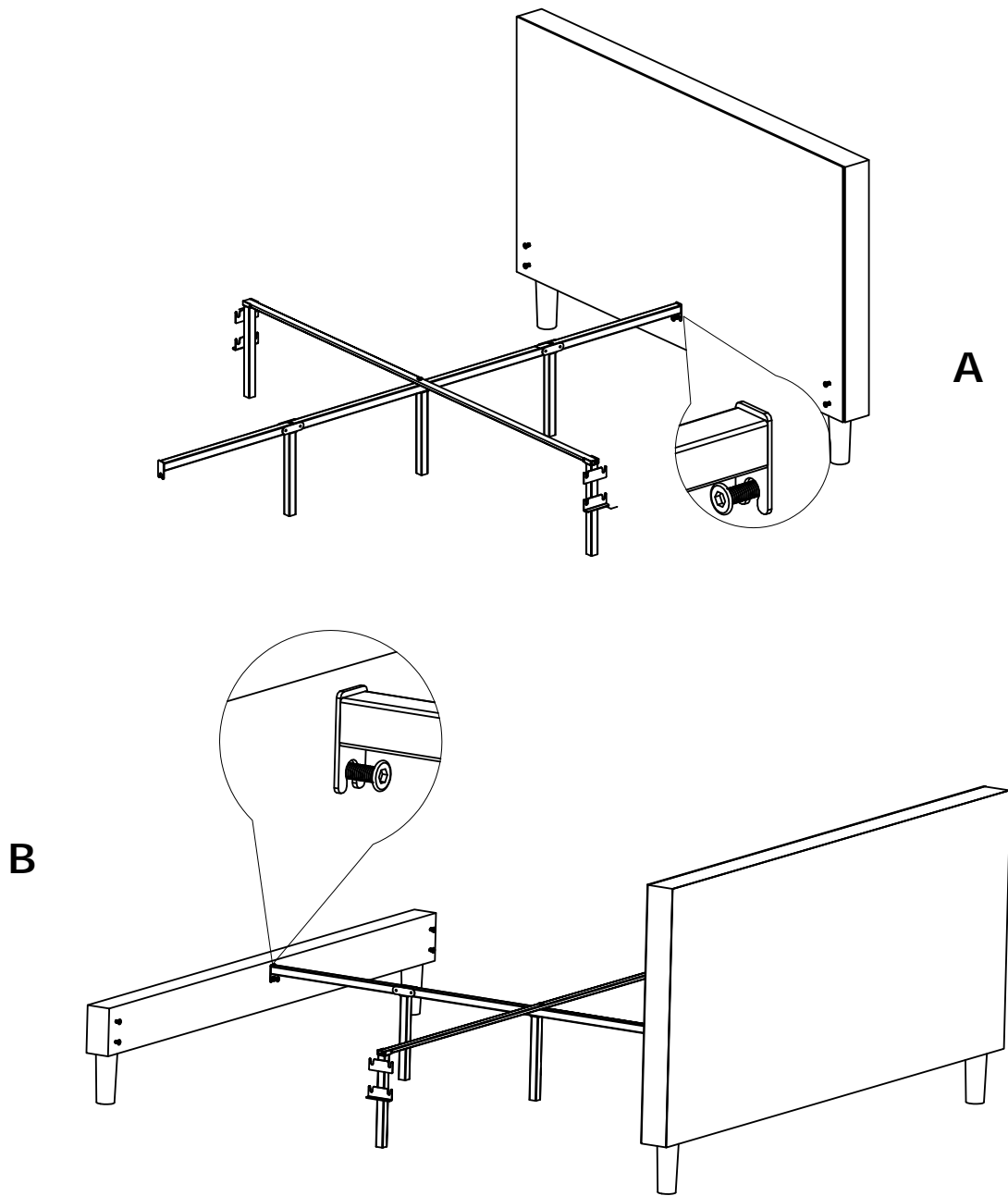


4. Loosen the screws on headboard(A), footboard(B) and bed frame(C)(D).



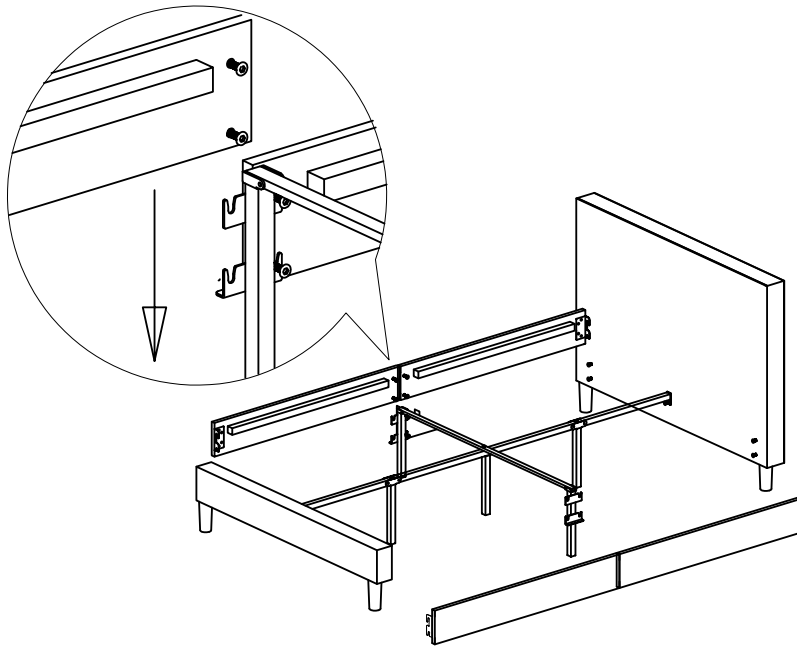
Assembly

5. Attach middle metal support(G) to headboard(A) and footboard(B) with screws.

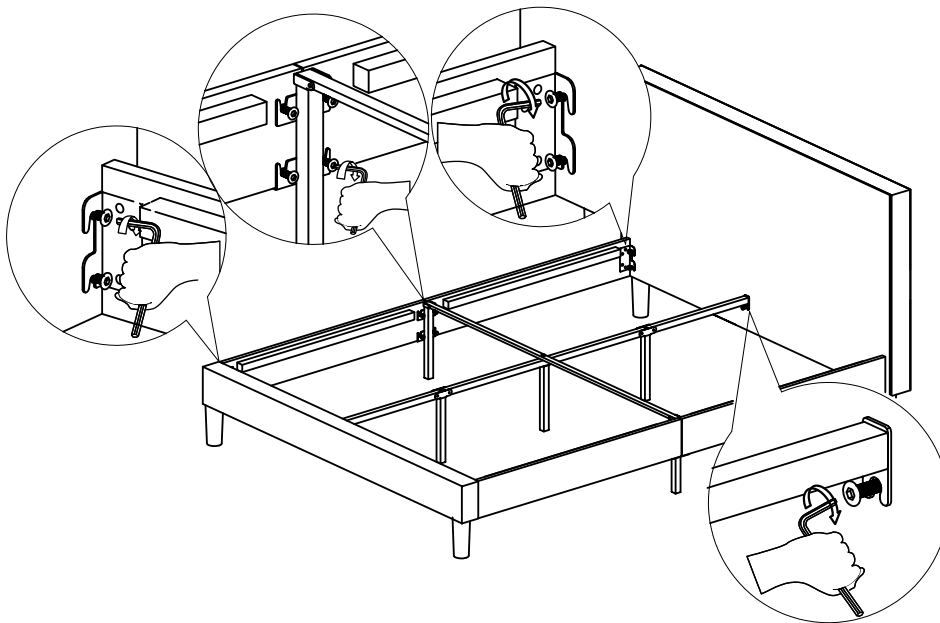


Assembly

6. Put right bed frame(C) and left bed frame(D) to the brackets of horizontal metal support(F) and tighten the screws.

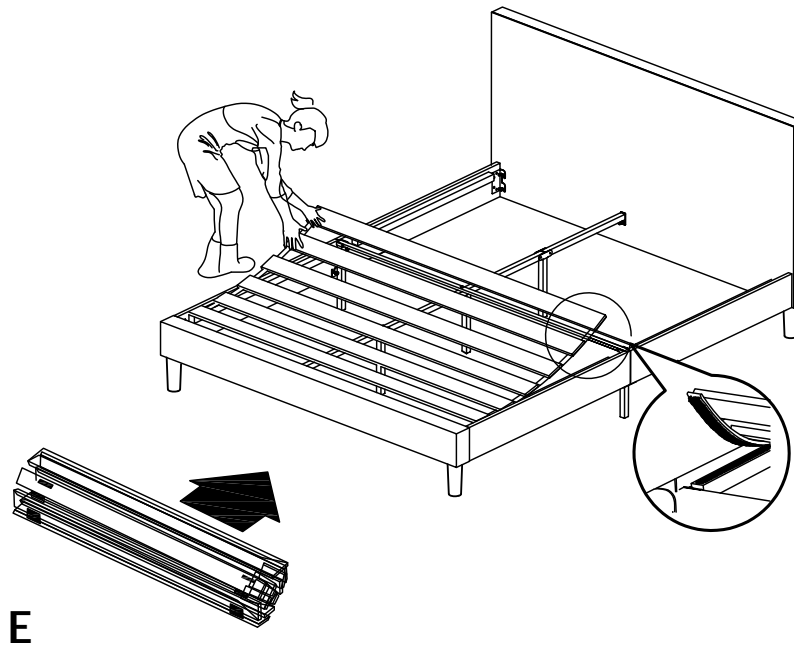


7. Tighten all screws

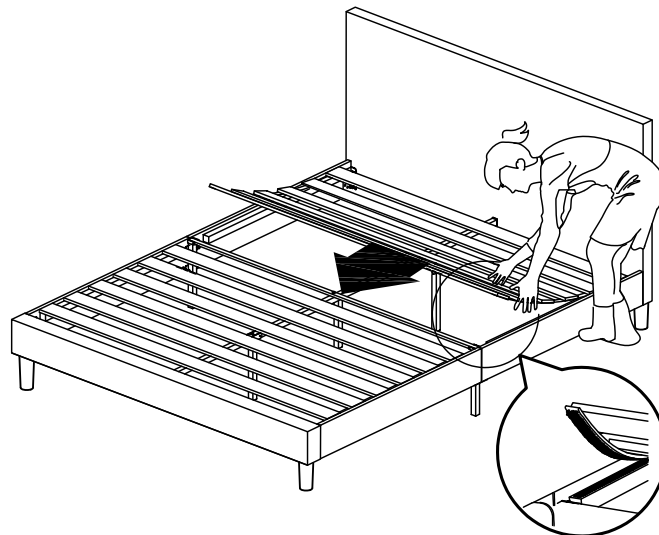


Assembly

8. Position the wood slats(E) on bed frames.



E



Maintenance

- **Keep the product away from direct heat and sunlight.**
- **Prolonged exposure to heat sources may cause scorching, or even cause color to fade.**
- **Regular vacuuming or light brushing helps to remove dirt and prevent soil build-up, which increases the appearance wear.**
- **Periodically (every 90 days) make sure that the screws are fully tightened.**

Care and Cleaning

- **Handle with care.**
- **Use a slightly damp cloth to clean the product. Do not use bleach or use abrasive cleaning material.**
- **Check all the fittings periodically and re-tighten as necessary. Do not use the product if any of the parts is damaged or broken.**
- **Never allow any kind of liquid to remain on your furniture.**
- **Absorption can make wood warp or delaminate.**
- **Do not place hot items (e.g. hot drinks) directly onto the wood surface.**
- **Do not drag and/or pull the furniture**
- **Never use harsh chemicals or solvents. on your product as this may damage the metal.**
- **Marks and stains from pens, crayons and ink markers are difficult to remove. In the event that your product becomes permanently stained, we recommend that you consult a professional**

StyleWell.™

**Questions, problems, missing parts?
Before returning to the store, call Customer Service.
8 a.m. - 7 p.m., EST, Monday - Friday, 9 a.m. - 6 p.m., EST, Saturday**

**1-877-527-0313
HOMEDEPOT.COM**

Retain this manual for future