



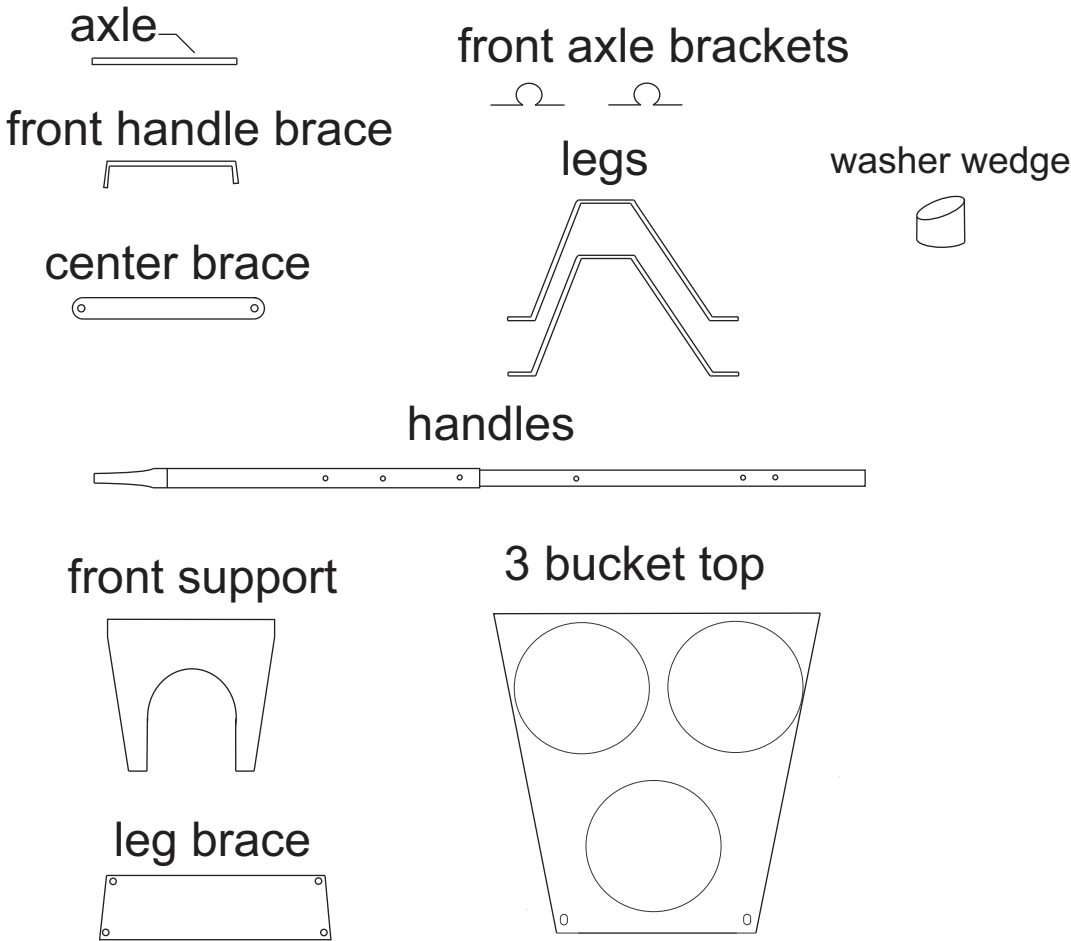
# 3 BUCKET BARROW

## ASSEMBLY INSTRUCTIONS

**NOTE: parts included**

- 2 wheels**
- axle**
- handles(4parts)**
- top**
- front handle brace**
- washer wedges**
- front support**
- axle brackets**
- leg brace**
- center brace**
- legs**
- hardware**

Tools needed: 1/2" wrench and flat screw driver



## Quick tips:

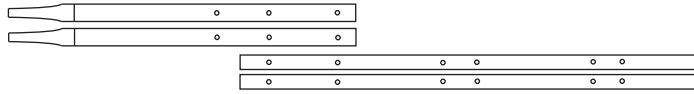
For easy assembly, put the entire unit together and hand tighten only. This will allow you to align the holes and the parts easier. After fully assembling the unit, make sure to completely tighten all bolts before using.

-2, 2 1/2" bolts are for the back holes on the top. Make sure to use the washer wedge between the handles and top to insure that you will not bend the top when tightening.

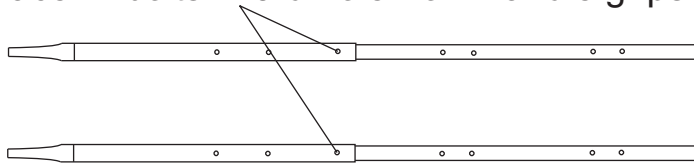
-2" bolts are for the axle brackets, center brace, front handle brace and legs.

-3/4" bolts are for the leg brace and to attach the front support to the top.

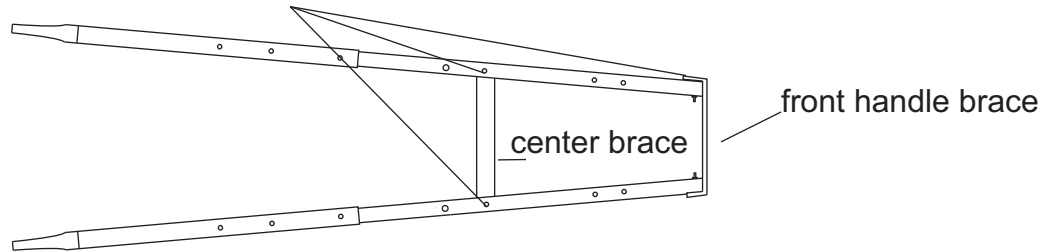
step 1:  
Insert smaller handles poles into larger  
and align the two holes as shown



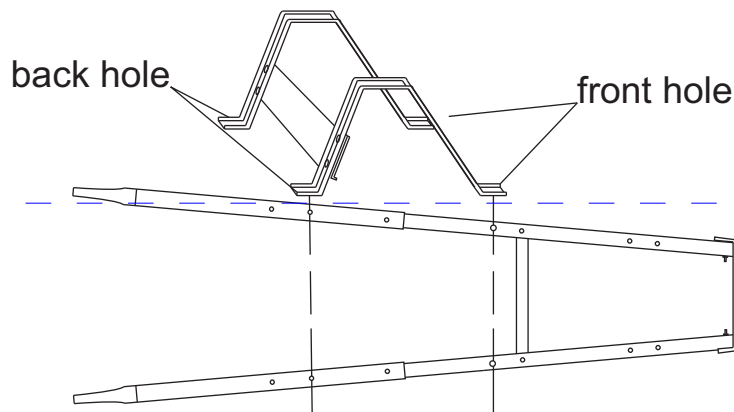
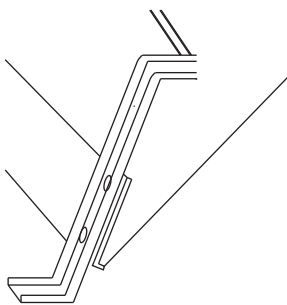
step 2:  
Place 2" bolts in 3rd hole from handle grips.



step 3:  
Add center brace and front handle brace  
NOTE: Put the 2" bolts through the center  
brace, then lay flat with the threads up  
and then place handles on top.

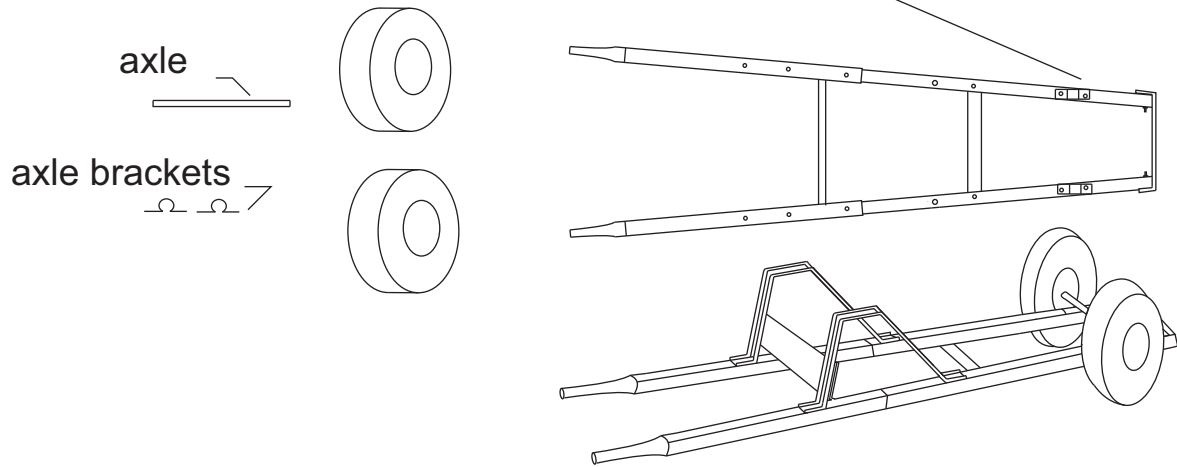


step 4:  
Add legs to the base by aligning the holes on the legs  
as shown below, then hand tighten bolts. Next, add leg brace  
with 1/2" lip on the bottom. Use 3/4" bolts. See how holes  
are aligned below.



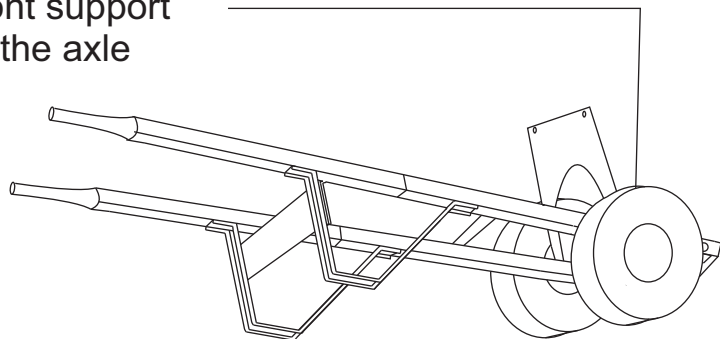
step 5:

Install the wheel by putting the axle through the wheel hub. Next put the left and right axle brackets on the end of the axle with the axle stops on the out side. Place the axel bracket on the handle holes, (as shown) but only use the front bolts. Turn the Bucket Buddy over to sit on the legs and wheel.



step 6:

Add the front support by taking two 3/4" bolts and go through both the front support and the two holes on the rear of the axle bracket



step 7:

Place top on the unit by aligning the holes up on the front support and front holes on the top, use the 3/4" long bolts. Then align the back holes on the top and holes on the handles, closest to the grips. Use the 2 1/2" long bolts Make sure to use the washer wedges between the handles and back holes on the top.

NOTE: MAKE SURE TO HAVE THE FRONT SUPPORT UNDER THE TOP AND NOT ON THE OUTSIDE.

