

CONNECTORS

Splices and Taps

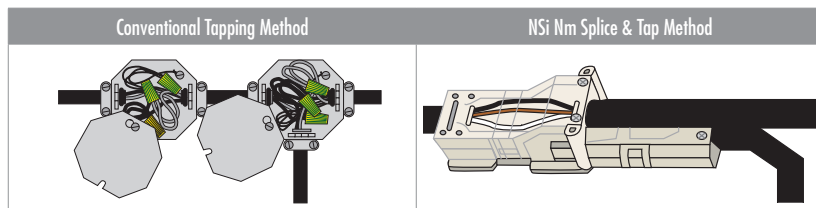
Non-Metallic Splice

NMS, NMT Series

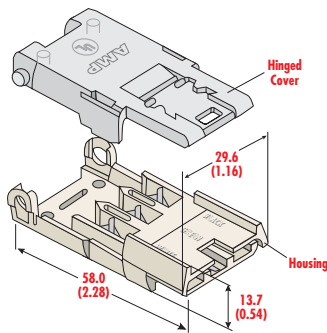


FEATURES

- The NSi NM Splice & Tap method provides a fast and reliable way to connect 12 and 14 AWG circuits using non-metallic (NM) cable. It eliminates the need for junction boxes, covers, fittings, connectors – and is approved for use in a variety of applications including: residential branch circuits, manufactured housing and pre-fabricated building structures. When adding new circuits in residential applications, NM connectors eliminate both the need to cut into the existing wiring and the extra junction boxes and associated hardware required for the tap connection.
- In factory installations within pre-fabricated structures, the NM connectors eliminate costly time-consuming on-site wiring. As individual modules are joined, splices and taps are simply snapped together easily by assembly crews with no special training or tools.
- Termination is easy. Split the cable, remove the sheathing and cut the splice conductors to length (if necessary). With the tap, individual conductors do not need to be stripped, only exposed. Clear cover installation is done with slip-joint pliers. The installation displacement contacts eliminate the need to strip individual conductors. Simply plug the connectors together and the installation is complete.
- Compliant with 2014 NEC 334.40 (A) (B).

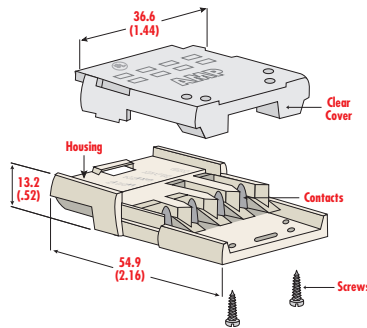


CAT. NO.	WIRE RANGE	KIT DESCRIPTION	STD. CTN. QTY.
NMS-2	12 – 14 AWG	SPLICE FOR 2-CONDUCTOR CABLE WITH GROUND	25
NMS-3	12 – 14 AWG	SPLICE FOR 3-CONDUCTOR CABLE WITH GROUND	25
NMT-2	12 – 14 AWG	SPLICE AND TAP KIT FOR 2-CONDUCTOR CABLE	12



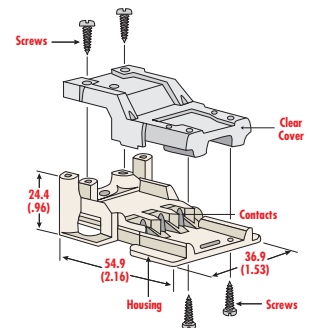
NMS - 2 (SPLICE)

For splicing 12 or 14 awg solid conductor, 2-conductor cable with ground. Hinged cover makes termination fast and easy. The NMS-2 kit includes everything required to make a two conductor splice.



NMS - 3 (SPLICE)

For splicing 12 or 14 awg solid conductor, 3-conductor cable with ground. The NMS-3 kit includes everything required to make a three conductor splice.



NMT - 2 (TAP)

For tapping into 12 or 14 awg solid conductor 2-conductor cable with ground. The NMT-2 kit includes everything required to complete a two conductor tap.