

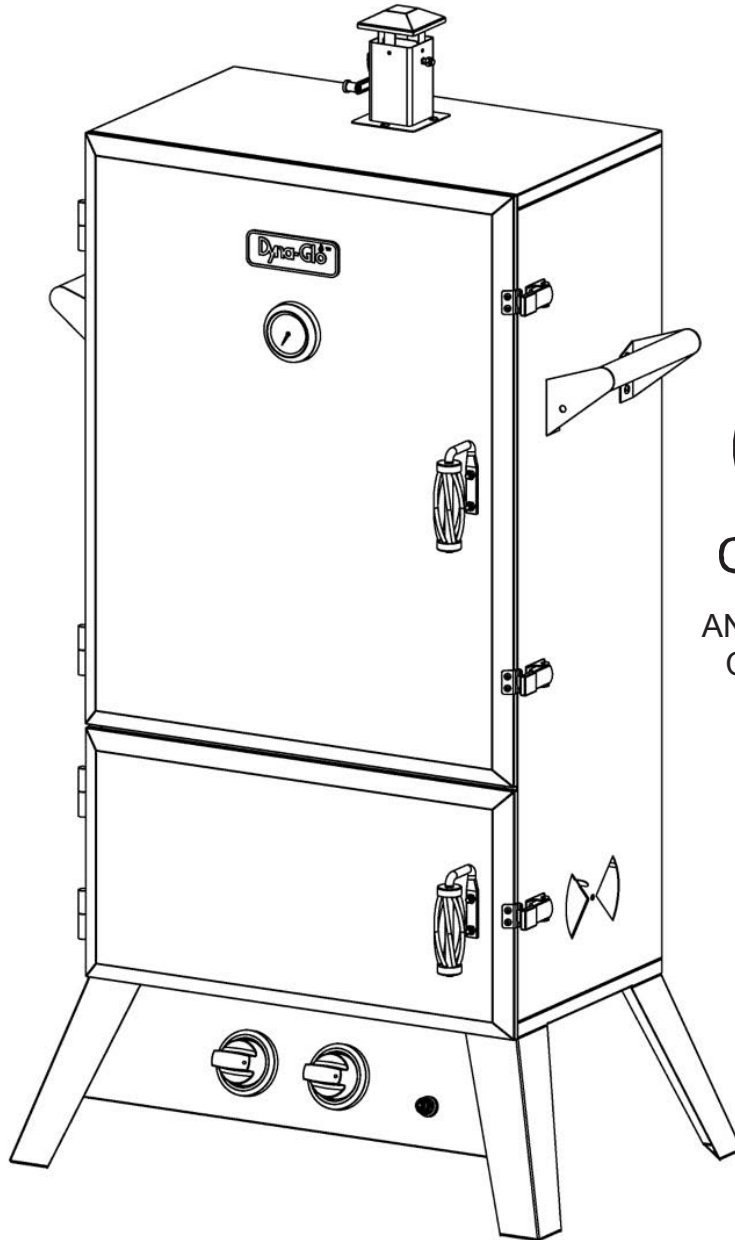


VERTICAL GAS SMOKER

MODEL #DGW1904BDP-D

Français p. 29

Español p. 56



C US

ANS Z21.89-2013
CSA 1.18-2013

ATTACH YOUR RECEIPT HERE

Serial Number _____ Purchase Date _____



Questions, problems, missing parts? Before returning to your retailer, call our customer service department at 1-877-447-4768, 8:30 a.m. – 4:30 p.m. CST, Monday – Friday or log on to customerservice@ghpgroupinc.com.



NO NEED TO RETURN TO THE STORE

Questions With The Assembly?
Require Parts Information?
Product Under Manufacturers Warranty?

Call Toll Free : 1-877-447-4768
8:30 a.m. – 4:30 pm CST, Monday – Friday

Retain This Owner's Manual And Proof Of Purchase For Future Reference

To help us help you

Fill in the information below:

Date of Purchase

Place of Purchase

Model Number

Product Serial No.

MODEL NUMBER AND PRODUCT SERIAL NUMBER CAN BE FOUND ON
THE RATING LABEL OF YOUR GRILL.

TABLE OF CONTENTS

Safety Information.....	3
Package Contents.....	6
Hardware Contents	7
Preparation	7
Assembly Instructions.....	8
Operation Instructions	13
Care and Maintenance	23
Troubleshooting.....	25
Warranty.....	26
Replacement Parts List.....	27

Assembler/Installer: This instruction manual contains important information necessary for the proper assembly and safe use of this appliance. Read and follow all warnings and instructions before assembling and using this appliance. **Leave these instructions with the consumer.**

Consumer/User: Follow all warnings and instructions when using this appliance.
Keep these instructions for future reference.



2. Extinguish any open flame.

If you smell gas:

1. Shut off gas to the appliance.



in fire, explosion, or burn
personal injury or death.

DANGER

1. Never operate this appliance unattended.
2. Never operate this appliance within 10 feet (3 m) of any structure, combustible material or other gas cylinder
3. Never operate this appliance within 25 feet (7.5 m) of any flammable liquid.
4. Never allow oil or grease to get hotter than 400°F or 200°C, if the temperature exceeds 400°F (200°C) or if oil begins to smoke, immediately turn the burner or gas supply OFF.
5. Heated liquids remain at scalding temperatures long after the cooking process. Never touch cooking appliance until liquids have cooled to 115°F (45°C) or less.
6. If a fire should occur, keep away from the appliance and immediately call your fire department. Do not attempt to extinguish an oil or grease fire with water.



DANGER: Failure to follow these instructions could result in fire, explosion, or burn hazard which could cause property damage, personal injury or death.



SAFETY INFORMATION

Please read and understand this entire manual before attempting to assemble, operate or install the product. If you have any questions regarding the product, please call customer service at 1-877-447-4768, 8:30 a.m. – 4:30 p.m. CST, Monday – Friday.

CALIFORNIA PROPOSITION 65

Fuels used in gas or oil fired appliances and the products of combustion of such fuels, contain chemicals known to the State of California to cause cancer, birth defects or other reproductive harm. This product contains chemicals, including lead and lead compounds, known to the state of California to cause cancer, birth defects or other reproductive harm. ***Wash hands after handling.***

- ï DO NOT use this product for anything other than its intended purpose. It is NOT intended for commercial use. It is NOT intended to be installed or used in or on a recreational vehicle and/or boat.
- ï Keep a fire extinguisher near this product at all times.
- ï This appliance is for outdoor use only in well-ventilated areas. DO NOT operate it in a building, garage or any other enclosed area, or under overhead construction.
- ï A minimum clearance of 36 in. (92 cm) to combustible material is required on the front, sides and back. It is very important to always maintain proper clearances to combustibles.
- ï The cylinder must be at least 24 in. (61 cm) from the appliance.
- ï DO NOT obstruct the flow of combustion air/or ventilation air for the appliance.
- ï When cooking, the smoker must be on a level, stable noncombustible surface in an area clear of combustible material, including long or dry grass.
- ï Care should be taken to protect the fuel supply hose from damage from either pedestrian or vehicle traffic.
- ï Clean and inspect the hose before each use of the appliance. If there is evidence of abrasion, wear, cuts or leaks, the hose must be replaced prior to the appliance being used. The replacement hose assembly shall be that specified by the manufacturer.
- ï Before each use check that no dead leaves or debris are under the appliance.
- ï Store this appliance in a dry, protected location.
- ï The use of alcohol, prescription or nonprescription drugs may impair the user's ability to properly assemble and safely operate this appliance.
- ï Allow the smoker to cool to 115°F (45°C) before moving or storing. Use caution when lifting and moving the appliance to avoid back strain or back injury. DO NOT move the appliance while it is in use.
- ï Always hang the regulator on the lifting handles while not in use or disconnected with the LP tank. KEEP the fuel supply hose away from any heated surface(s).



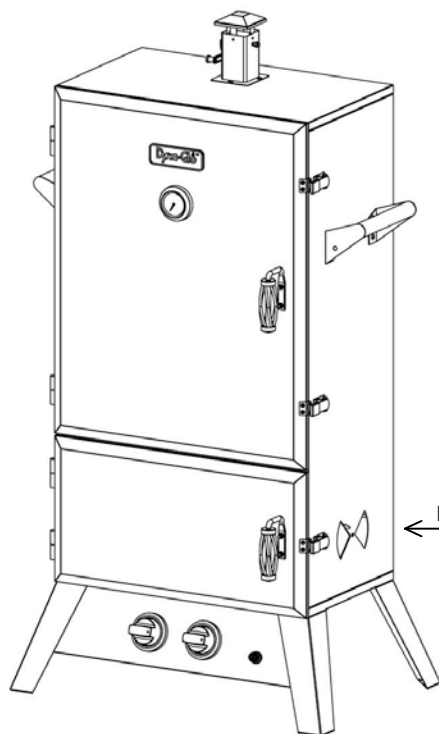
SAFETY INFORMATION

- ï DO NOT store and use this appliance near gasoline or other combustible liquids or where other combustible vapors may be present.
- ï DO NOT use this appliance as a heater.
- ï DO NOT leave the appliance unattended while in use. Keep children and pets away from the appliance at all times.
- ï NEVER close the damper completely while cooking.
- ï If you must dispose of ashes in less time than it takes for the ashes to completely cool down, then remove the ashes from the appliance, keeping them in the heavy-duty foil, and soak them completely with water before disposing of them in a noncombustible container.
- ï This appliance will be hot during and after use. Use insulated oven mitts or gloves for protection from hot surfaces or splatter from cooking liquids.
- ï Make sure that the orifice of each control valve properly mates with the burner mixing tube by visual observation. Please refer to maintenance section.
- ï Use caution when opening the doors of the smoker while in operation. Keep hands, face and body safe from hot steam or flare-ups. DO NOT inhale smoke.
- ï DO NOT wear loose clothing while operating the smoker. Tie back long hair while operating the smoker. ALWAYS wear shoes that fully cover your feet while operating the smoker.
- ï Allow the smoker and its components to cool completely before conducting any routine cleaning or maintenance.
- ï NEVER use glassware, plastic or ceramic cookware on or in your smoker. Use metallic cookware only.
- ï NEVER operate the smoker without water in the water bowl. NEVER allow the water to completely evaporate. Check the water level at least every 2 hours. A sizzling sound may indicate a low water level. Follow instructions in this manual for adding water while operating (see page 15).
- ï When using flavoring wood, add a sufficient amount prior to operation to avoid having to add wood while operating. Adding wood while operating may splash hot water and cause serious injury.
- ï Use of accessories not intended for this smoker is not recommended and may lead to injury or property damage.
- ï An LP cylinder not connected for use should not be stored in the vicinity of the smoker or any other appliance. DO NOT store spare LP cylinders within 10 ft. (3 m) of the smoker. LP cylinders must be stored outdoors, out of reach of children. DO NOT store LP cylinders in a building, garage or any other enclosed area.
- ï DO NOT store LP gas cylinders inside or on top of the smoker. Improper storage of cylinders could lead to explosion, fire and/or personal injury. Cylinders are to be stored outdoors, out of reach of children and must not be stored in a building, garage or any other enclosed area.
- ï While the smoker is not in use, the gas must be turned off at the supply cylinder.
- ï LP gases are heavier than air, tend to pool and collect in low-lying areas, are easily ignited and are highly flammable. Proper care and caution should be employed when dealing with any such fuels.
- ï The smoker should be turned off and all supply valves (on piping or on fuel cylinders) should be closed in the event that the odor of unburned gas is detected. Do not attempt to use the appliance until any gas leaks are fixed and/or the source of the unburned gas odor is accounted for.

SAFETY INFORMATION

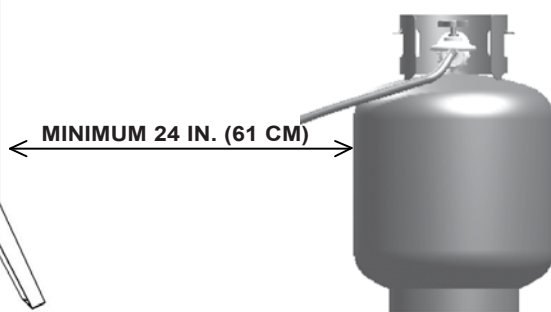
- ï Do not use the smoker if the burner fails to light or fails to remain lit. Under such conditions, gas should be turned off and the fuel cylinder should be disconnected.
- ï Use in high wind conditions that result in poor burner operation such as blowing out and flaring should be avoided. If repositioning the appliance does not improve operation under such wind conditions, the appliance should be turned off.
- ï Install the smoker with the hose regulator assembly extended the full length of the hose (24 in./61cm minimum) directly away from the appliance. When so configured, placement results in maximum tank to smoker distance. When the smoker is operated, the hose/regulator and gas tank should be perpendicular to wind direction. Placing tank closer than 24 in./61cm to the smoker can overheat the tank and cause release of propane through relief openings and can result in tank fire or explosion.
- ï Read and follow all warnings and instructions before assembling and using the appliance.
- ï Follow all warnings and instructions when using the appliance.

NOTE: The installation must confirm with local codes or, in the absence of local codes, with either the National Fuel Gas Code, ANSI Z223.1/NFPA 54, Natural Gas and Propane Installation Code, CSA B149.1, or Propane Storage and Handling Code, B149.2, or the Standard for Recreational Vehicles, ANSI A 119.2/ NFPA 1192, and CSA Z240 RV Series, Recreational Vehicle Code, as applicable.



WARNING:

The hose to tank attachment creates a potential trip hazard for user and pedestrians - use caution. Do not allow or cause the gas tank or appliance to tip.



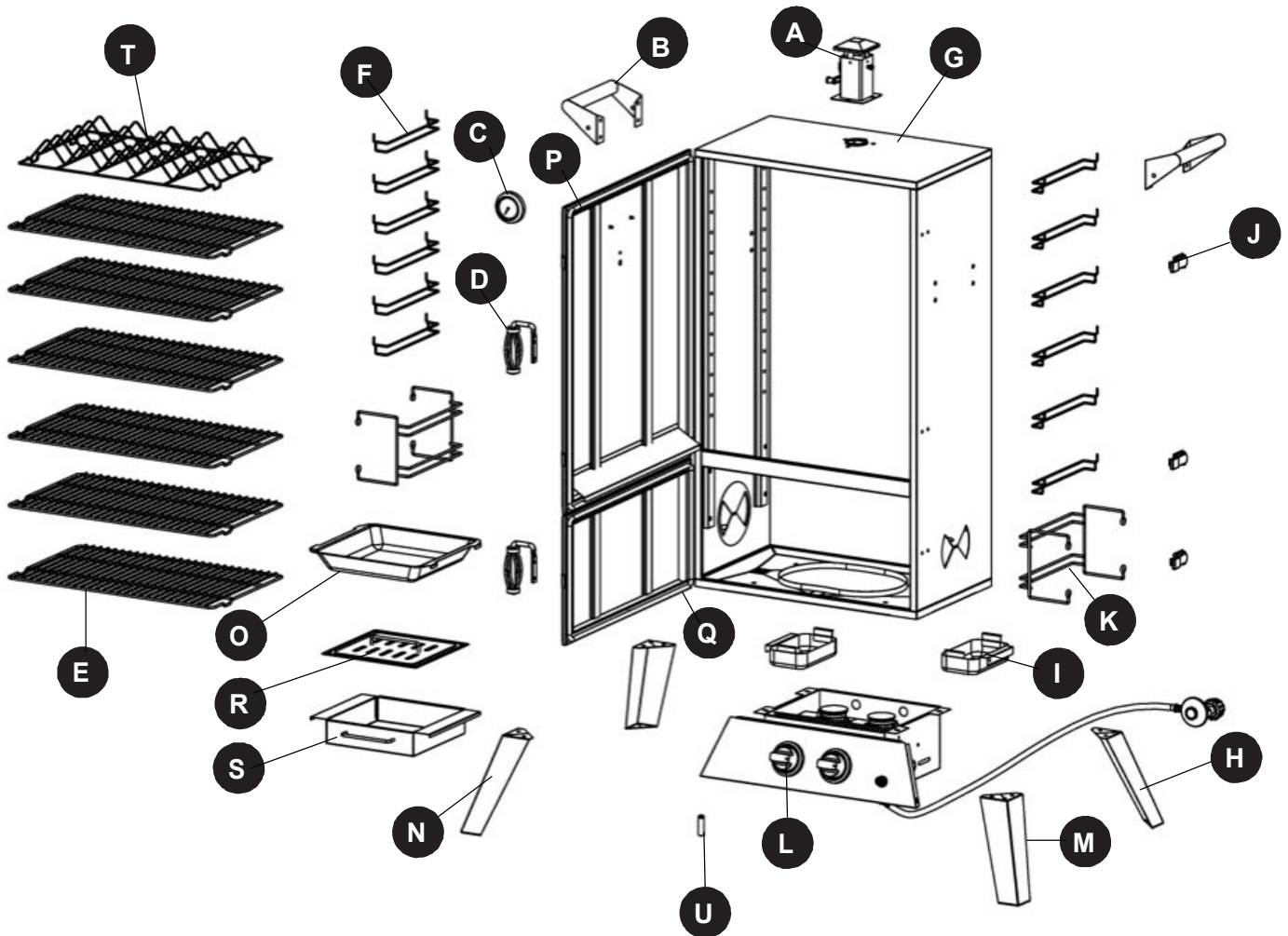
(Tank not included)

The electronic ignition requires 1 “AAA” alkaline battery, which is included.

WARNING

DO NOT mix old and new batteries.
DO NOT mix alkaline, standard (Carbon-Zinc), or rechargeable (Nickel-Cadmium) batteries.
DO NOT dispose of batteries in fire. Improper disposal may cause batteries to leak or explode.

PACKAGE CONTENTS

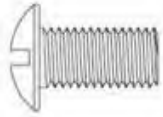


PART	DESCRIPTION	QUANTITY
A	Smoke Stack Assembly	1
B	Lifting Handle	2
C	Temperature Gauge	1
D	Door Handle	2
E	Cooking Grate	6
F	Cooking Grate Support	12
G	Smoker Body	1
H	Rear Leg	2
I	Grease Cup	2
J	Door Latch	3
K	Support Bracket	2

PART	DESCRIPTION	QUANTITY
L	Burner & Control Unit	1
M	Front Leg - Right	1
N	Front Leg - Left	1
O	Water Bowl	1
P	Upper Door	1
Q	Lower Door	1
R	Wood Chip Box Lid	1
S	Wood Chip Box	1
T	Rib Rack	1
U	Battery	1

HARDWARE CONTENTS (shown actual size)

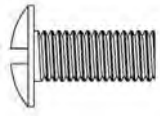
AA



M6x12mm
Screw

Qty. 42

BB



M4x10mm
Screw

Qty. 6

CC



M6 Nut

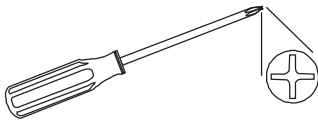
Qty. 4

PREPARATION

Before beginning assembly of product, make sure all parts are present. Compare parts with package contents list and hardware contents above. If any part is missing or damaged, do not attempt to assemble the product. Contact customer service for replacement parts.

Estimated Assembly Time: 25 minutes

Tools Required for Assembly (not included): Phillips Head Screwdriver, Wrench, and Pliers.

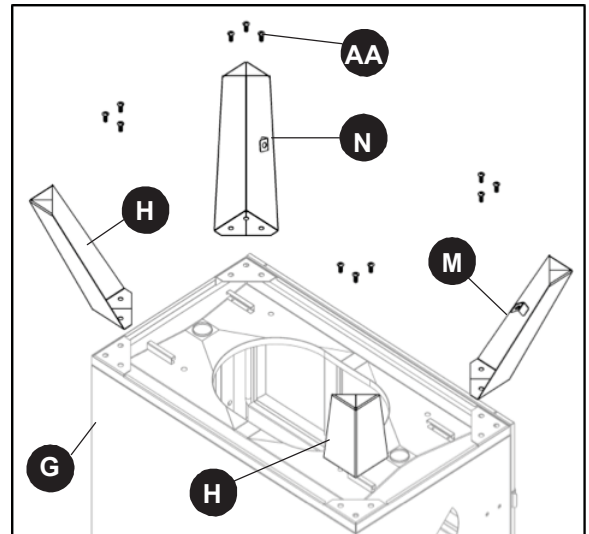


ASSEMBLY INSTRUCTIONS

1. **CAUTION: Remove the upper (P) and lower (Q) doors before beginning assembly.**
Attach rear legs (H) & right-front leg (M) & left -front leg (N) to smoker body (G) using twelve M6x12 screw (AA).

Hardware Used

AA M6x12 Screw  x12

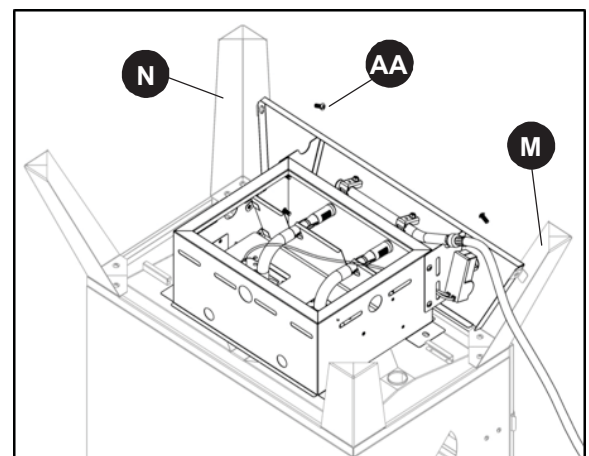
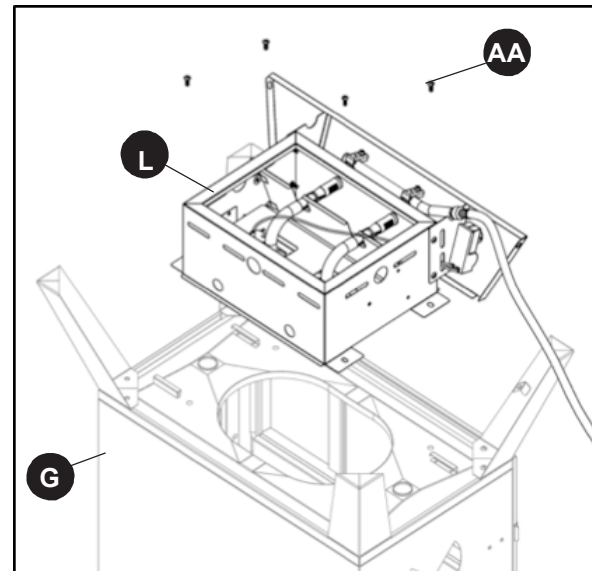


2. Turn the burner and control unit (L) upside down and place it on the bottom of the smoker body (G). Align the six mounting holes on the burner and control unit (L) with the holes on the smoker body (G). Secure with six M6x12 screw (AA). Tighten all screw.

Note: The control knob should be on the same side as the door. Check that the burner is properly installed on the orifice before attaching the burner and control unit (L).

Hardware Used

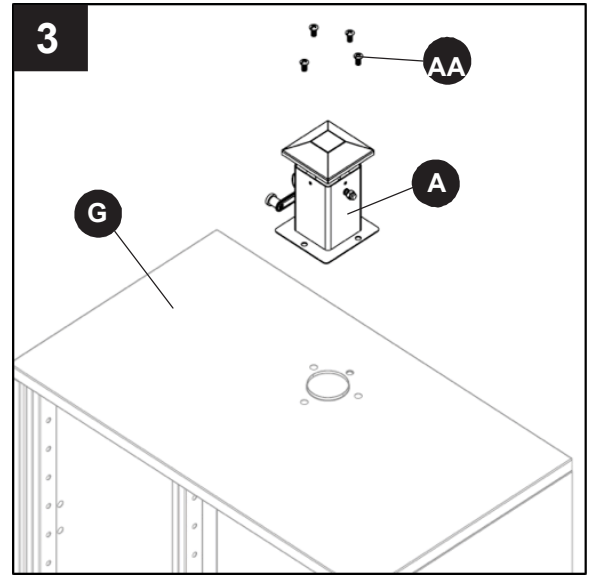
AA M6x12 Screw  x6



ASSEMBLY INSTRUCTIONS

3. CAUTION: This unit is HEAVY! Do not attempt this step without assistance!

With the assistance of a helper, stand the unit upright on its legs on a firm and level surface. (Make sure that legs are attached). Place the upper (P) and lower (Q) doors back onto the hinges of the smoker body (G) and close the doors. Position the square smoke stack (A) with control arm to the left as shown. Using 4 screw (AA), attach square smoke stack (A) to the top of smoker body (G). Securely tighten with a Phillips screwdriver.



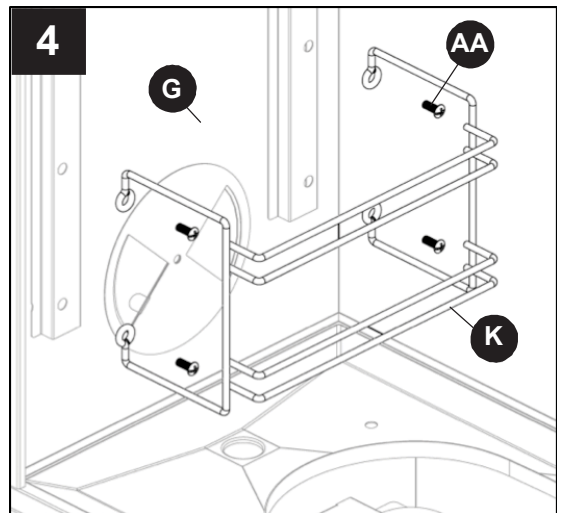
Hardware Used

AA M6x12 Screw  x4

4. Attach support bracket (K) to smoker body (G) using four M6x12 screw (AA). Repeat for remaining bracket (K).

Hardware Used

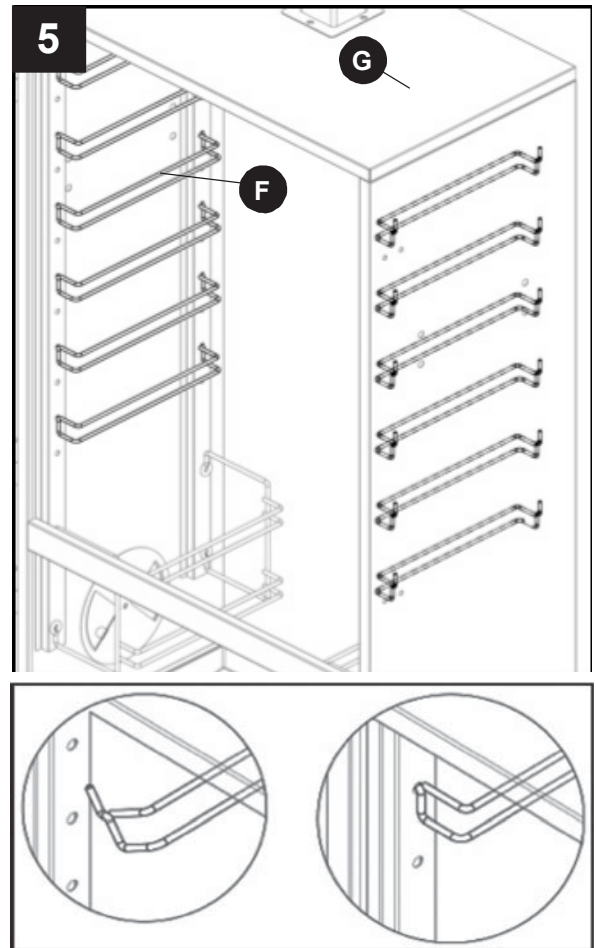
AA M6x12 Screw  x8



ASSEMBLY INSTRUCTIONS

5. Insert the cooking grate supports (F) into the corresponding holes inside the smoker body (G) starting from the bottom up.

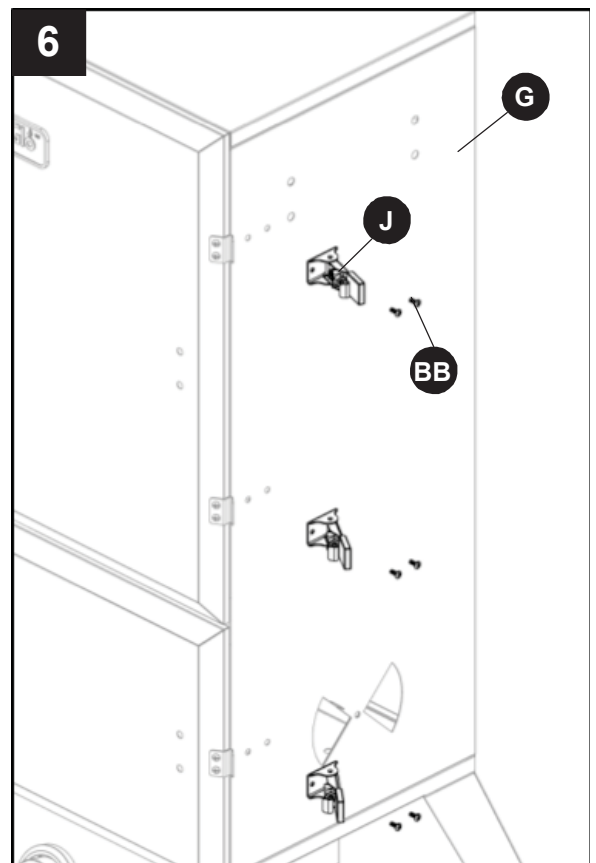
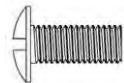
NOTE: There are 12 possible positions to install the cooking grate according to the need of the user.



6. Attach door latch (J) to smoker body (G) using two M4x10 screw (CC). Repeat for remaining door latches (J).

Hardware Used

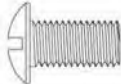
BB M4x10mm Screw x6

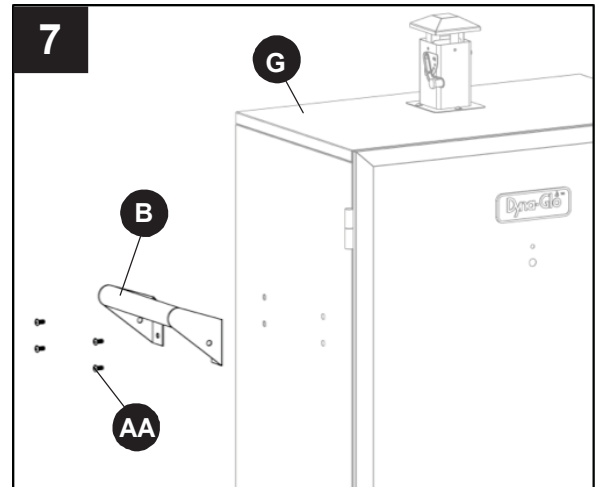


ASSEMBLY INSTRUCTIONS

7. Attach lifting handle (B) to smoker body (G) using four M6x12 screw (AA). Repeat on other side.

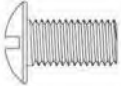

Hardware Used

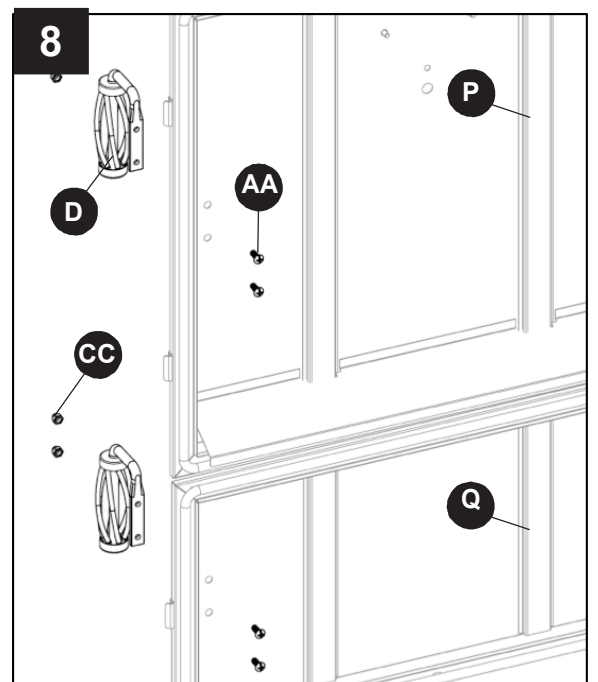
AA M6x12 Screw  x8



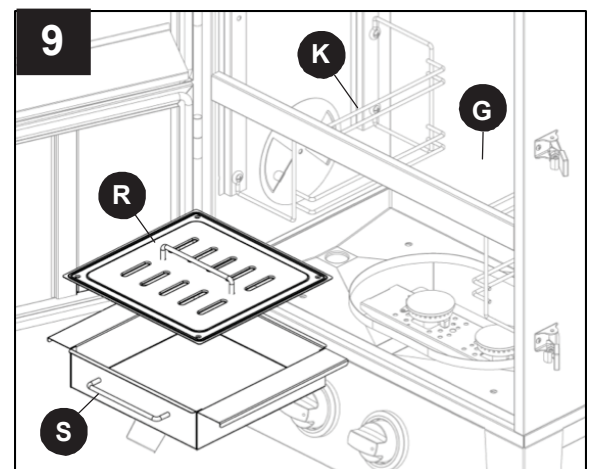
8. Attach door handle (D) to upper door (P) using two M6x12 screw (AA) and two M6 nut (CC). Repeat for lower door (Q).

Hardware Used

AA M6x12 Screw  x4
CC M6 Nut  x4

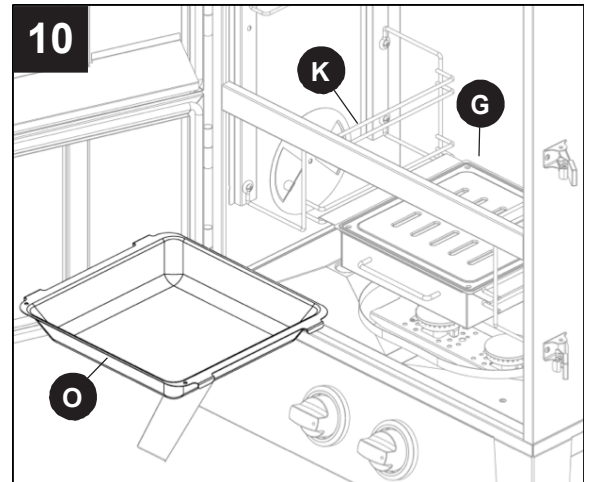


9. Place the wood chip box lid (R) directly onto the wood chip box (S) and slide the wood chip box onto the bottom support bracket (K) located on the inside of the smoker body (G).

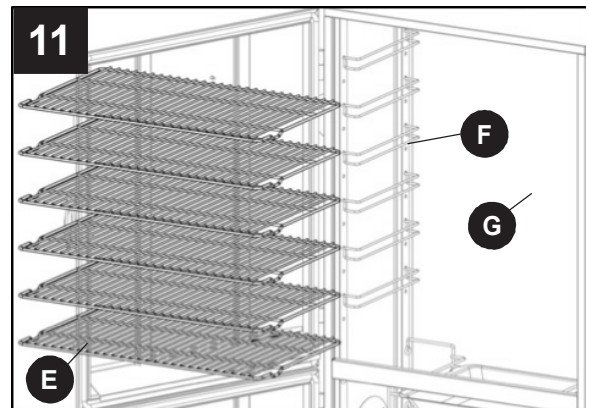


ASSEMBLY INSTRUCTIONS

- Slide the water bowl (O) onto the upper support bracket (K) inside the smoker body (G).



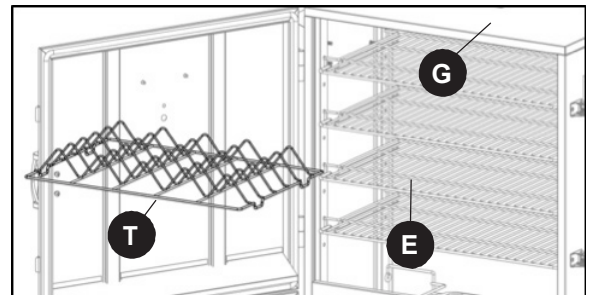
- Slide the cooking grates (E) onto the grate supports (F) inside the smoker body (G).



Installing the Rib Rack (Optional)

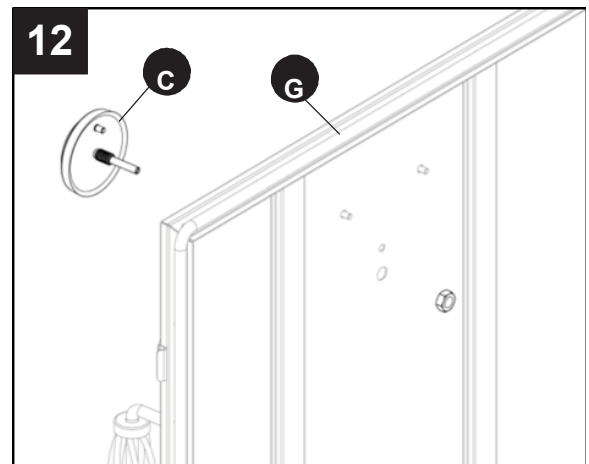
Place the rib rack (T) directly onto the desired grate before sliding the grate onto the supports.

NOTE: The left or right edge of the rib rack should not hang over the outer edge of the cooking grate prior to placing back into the smoker.



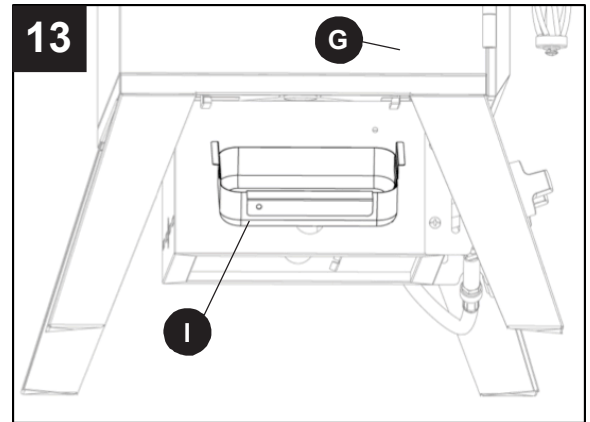
- Installing the Temperature Gauge**

First, remove the pre-assembled nut from the temperature gauge (C). Insert the probe of the temperature gauge through hole of the smoker door from the outside. Secure with nut from inside panel. Tighten with wrench.

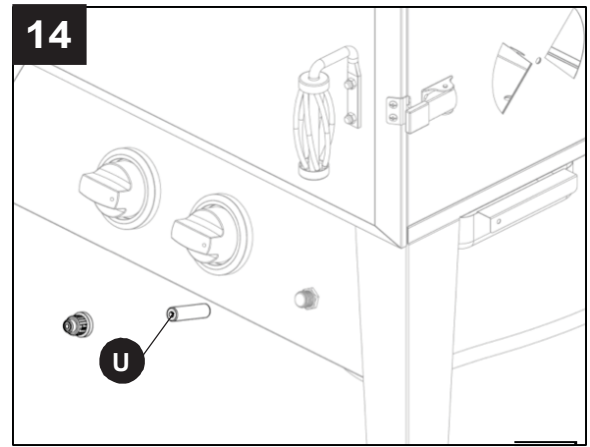


ASSEMBLY INSTRUCTIONS

- Slide the grease cup (I) onto the grease cup support of the smoker body (G) bottom. Repeat on the other side.



- Remove the igniter cap by turning it counter-clockwise. Insert the AAA battery (U) into the igniter body with positive (+) end facing out. Replace the igniter cap.



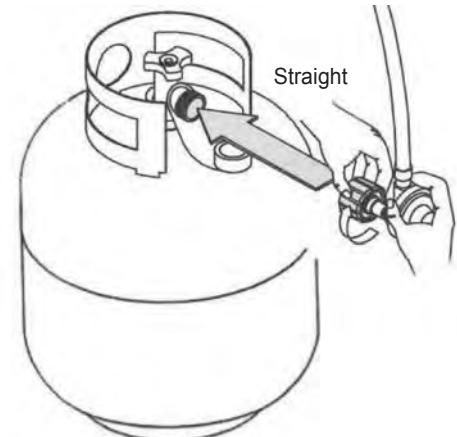
OPERATION INSTRUCTIONS

CONNECTING THE LP TANK

⚠ WARNING! ALL INSTRUCTIONS AND SAFEGUARDS ON THIS PAGE MUST BE FOLLOWED TO PREVENT FIRE, DAMAGE AND/OR INJURY.

- The knob on the LP tank must be closed. Make sure that the knob is turned clockwise to a full stop. The cylinder supply system must be arranged for vapor withdrawal.
- Check that the control knob on the control unit is turned off.
- Remove the protective cap from the LP tank valve and coupling nut.
- Hold the regulator in one hand and insert the nipple into the valve outlet. Be sure the nipple is centered in the valve outlet. The coupling connects to the large outside threads on the valve outlet. Use care – do not cross thread the connection.
- Hand tighten the coupling clockwise until it comes to a full stop. Firmly tighten by hand only. Do not use tools.

⚠ CAUTION: In the connection process, make sure the regulator inlet connector mates with the cylinder valve outlet properly, safely and firmly.



OPERATION INSTRUCTIONS

Any fuel supply cylinder used must be constructed and marked in accordance with specifications for propane cylinders of the U.S. Department of Transportation (DOT) CFR 49, or the Standard for Cylinders, Spheres and Tubes for the Transportation of Dangerous Goods, CAN/CSA B339. The appliance is to be used only with the 20-pound, vertical standing vapor withdrawal type tank and must include a collar to protect the cylinder valve.

(A) DO NOT store spare LP cylinders under or near the smoker.

(B) NEVER fill cylinder more than 80% full.

(C) Do not store cylinder indoors.

WARNING

If instructions (A), (B),(C) above are not followed exactly, a fire causing death or serious injury may occur.

This smoker is designed to operate on LP (Liquid Propane) gas only. The gas cylinder used must include a collar to protect the cylinder valve. The cylinder supply system must be arranged for vapor withdrawal. Do not allow dirt or foreign material to get into or onto tank connection when it is not attached to the fuel supply system. Use the protective cap provided.

WARNING

ALL INSTRUCTIONS AND SAFEGUARDS ON THIS PAGE MUST BE FOLLOWED TO PREVENT FIRE, DAMAGE AND/OR INJURY.


The cylinder outlet must have Type 1 gas connection termination in order to mate with gas hose provided with smoker. The pressure regulator and hose assembly supplied by the manufacturer with the appliance must be used. Replacement pressure regulators and hose assemblies must be those specified by the appliance manufacturer.

This unit is not to be utilized with a non-self-contained LP-gas supply system.

Valve/pressure regulators are factory set to the correct operating pressures. No attempts should be made to adjust these settings.

DISCONNECT THE LP TANK

Make sure that the knob on the LP tank is turned clockwise  to a full stop (CLOSED).

Hold the regulator in one hand, turn the coupling to the valve outlet counterclockwise  and unthread the connection by hand only. Do not use tools.

Place dust cap on cylinder valve outlet whenever the cylinder is not in use. Only install the type of dust cap on the cylinder valve outlet that is provided with the cylinder valve. Other types of caps or plugs may result in leakage of propane.

Always hang the regulator on the lifting handles (A) while not in use, disconnected from the LP tank, and when the unit has cooled down.

STORE THE TANK IN A PROPER PLACE AS INDICATED IN THIS MANUAL.

OPERATION INSTRUCTIONS

CHECKING FOR LEAKS

After connections are made, check all connections and fittings for leaks with a soap solution.

1. With all valves closed, apply the leak check solution (50/50 mix of dishwashing soap and water) to all gas carrying connections and fittings.
2. Open tank valve.

Presence of bubbles at areas of wet solution indicates a gas leak. If leaks are detected or you smell or hear gas, shut off the valve and repair the leak or replace the defective part.

Do not use the smoker until all leaks are corrected.

The gas hose/regulator assembly should be totally extended to the maximum distance so that the hose is straight and the tank is as far from the smoker as it can be (Minimum 24 in.).

For vapor withdrawal, LP tanks are intended to be operated in the upright position only.

If the product is not in use, the gas must be turned off at the supply cylinder and the cylinder should be disconnected from the appliance.

Storage of the appliance indoors is only permissible if the cylinder is disconnected and removed from the appliance. Do not store cylinder indoors.

OPERATION

BEFORE FIRST USE

Remove all hangings or plastic straps, if present.

Before you cook food in your smoker, it is important to “season” your smoker. Seasoning seals the paint and interior of your smoker to enhance flavoring, durability and overall performance.

To season your smoker, simply use it as you normally would only do not cook any food. You will need to follow all of the operating procedures in the next few sections of this manual.

Using your desired flavoring woods and marinades, burn your smoker at low temperature (around 175°F/79°C) for 45 – 60 minutes. Let the smoker cool, and clean out the water and wood.

Once seasoning is complete, your smoker’s interior will have a durable, seasoned coating.

Adding Water

To add water before cooking, simply remove the water bowl and fill it with water slightly below the rim. Then place the bowl back into the smoker. Enough water before cooking is recommended.

To add water while cooking, if a sizzling sound indicating lack of water is heard, or really need to add water, open the bottom door with care and avoid taking in the smoke, use a long nose kettle-like water can, stand yourself as far from the smoker as you can, fill the water bowl up to 1 in. below the rim.



CAUTION: DO NOT pull the water bowl out beyond the rack when the smoker is hot.

OPERATION INSTRUCTIONS

Cooking Tip


Line the water bowl with aluminum foil before each use. This will make it easy to clean and help your water bowl last longer.

To make adding water easier and safer, use a clean watering can with a long spout.

Adding Wood Chips

To add wood chips before cooking, simply fill the wood chip box with your choice of flavoring hardwood chips. The amount and type of wood you use is entirely dependent on the desired amount of flavor. Once the box is filled, place the lid on top of the box and set the box in the smoker.

To add wood chips while cooking, we recommend using tongs or long handled pliers to remove the box lid and to place the pieces into the wood chip box without removing the box. It is not recommended to remove the wood chip box while the smoker is in operation.

 **CAUTION:** The wood chip box and lid get very hot. Avoid handling them while in use. Always wear protective oven mitts when handling hot components.

Cooking Tip: Flavoring Wood

- ï Small wood chips work best inside the wood chip box.
- ï Use dry hardwoods such as hickory, pecan, apple, cherry or mesquite.
- ï Most fruit or nut tree woods produce excellent smoke flavoring.
- ï Do not use resinous woods such as pine or plywood. These usually produce unpleasant flavoring.
- ï Let your taste be your guide. Experiment with different types and quantities of wood chunks, chips, or sticks. You can even mix woods.
- ï To produce more smoke and prevent fast burning, pre-soak the wood chips in a separate bowl of water for at least 20 minutes, or wrap the chips in perforated aluminum foil.
- ï Most smoke flavoring occurs within the first hour of cooking. Adding wood chips after the first hour is typically not necessary unless extra smoke flavoring is desired.

TIPS ON SMOKING

Smoking foods is different from grilling foods. Smoking is typically done slowly and at a lower temperature than grilling. The smoke produced by the wood infuses itself into the meat giving it that great smoked flavor. Grilling is a much quicker cooking process using higher temperatures.

Always follow the manufacturer's recommendations for cleaning and care. Monitor your fuel supply, running out of propane halfway through the smoking process isn't fun. Consider purchasing a spare propane tank as a back-up.

Here's a list of the most popular smoking woods and a little information about each.

Type of Wood	Suggested Food	Comments
Apple	All meats	Mild and sweet flavor with a slight hint of fruity flavor. Each species of Apple wood should offer a slightly different flavor. Apple smoke produces an attractive browning effect.
Almond	All meats	Produces a sweet smoke with a natural nutty flavor.
Ash	Fish and red meat	Very light flavor.
Citrus	Pork and chicken	Lemon and orange wood produce light but fruity flavor.
Cherry	Pork and beef	Light and fruity flavor.
Fruitwood	Pork, poultry and fish	Wood such as Peach, Pear and Plum produce a mild but sweet smoke with a hint of fruity flavor.
Grapevine	Poultry, game and lamb	Grapevine wood produces a lot of smoke. A little wood goes a long way. It produces a tart flavor that has a hint of fruit.
Hickory	Pork and beef	Hickory is arguably the favorite wood for smoking. Hickory produces a very strong flavor so we recommend starting slow with this wood.
Maple	Pork and poultry	Light and sweet
Mesquite	Beef, chicken and fish	This wood burns very hot so be aware. Much like Hickory, Mesquite is very popular and produces a strong flavor.
Oak	Red meats, game, ribs and fish	Another wood that produces a heavy smoke. Start slow with this wood.
Pecan	Ribs and red meat	Produces a light smoke that offers a sweet and nutty flavor.

SUGGESTED SMOKING TIMES AND TEMPERATURES

Please understand that these are only guidelines. All smokers are different. Take into consideration other variables such as weather conditions, wind, ambient temperature, etc. and things can vary by as much as an hour or more.

Learn to tell doneness visually as well as with temperature and time and you will be a much better chef with the smoker.

Food to be Smoked	Suggested Smoking Temperature	Estimated Time to Complete
Brisket (Sliced or Pulled)	225 degrees	1.5 hours/pound
Pork Butt (Sliced or Pulled)	225 degrees	1.5 hours/pound
Whole Chicken	250 degrees	4 hours (approx.)
Chicken Thighs	250 degrees	1.5 hours
Chicken Quarters	250 degrees	3 hours
Whole Turkey - 12 lb.	240 degrees	6.5 hours
Turkey Leg	250 degrees	4 hours
Meat Loaf	250 -300 degrees	3 hours
Spare Ribs	225-240 degrees	6 hours
Baby Back Ribs	225-240 degrees	5 hours
Smoked Corn	225 degrees	1.5 - 2 hours
Smoked Potatoes	225 Degrees	2 - 2.5 Hours






OPERATION INSTRUCTIONS

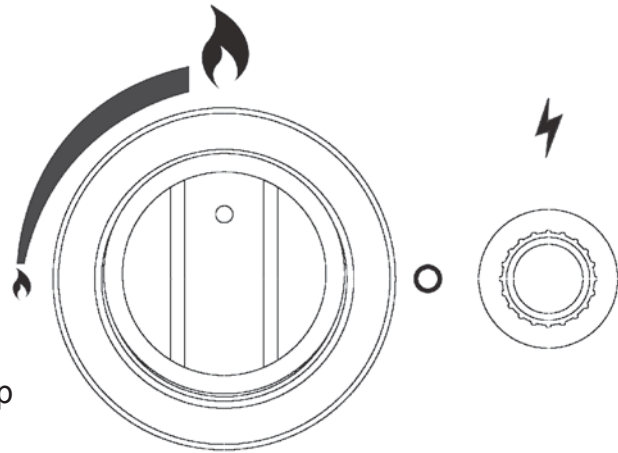
LIGHTING INSTRUCTIONS

Warning: Always light your smoker with both doors open.

CAUTION: If the flame extinguishes accidentally during ignition or operation, immediately TURN OFF the cylinder valve and then TURN OFF the control knob.

Igniter Lighting System

1. Check all connections for leaks using the “soap water” test as explained on page 15 for “checking for leaks.”
2. Open both of the smoker cabinet doors. Always keep the doors open during lighting.
3. Check for any blockage to each venturi tube or burner, damper setting, and ventilation setting. Remove any foreign objects or matter.
4. Be sure the burner control knobs are in the “OFF”  position.
5. Open the LP cylinder valve by turning counterclockwise .
6. Push igniter  on the control unit down 3 to 4 seconds while turning the left control knob to “HIGH” . Once the burner is lit, repeat this step for the burner on the right.
7. If ignition does not take place within 5 seconds, immediately turn both control knobs to “OFF” . Wait 5 minutes and repeat above steps 6 and 7.
8. If burner still fails to light, try match lighting using the instructions on page 21.
9. Once the burners are lit, close the doors to allow heat to accumulate. The smoke stack on the top of the smoker can be adjusted to the desired setting to allow proper ventilation and combustion. NEVER CLOSE THE SMOKE STACK COMPLETELY.



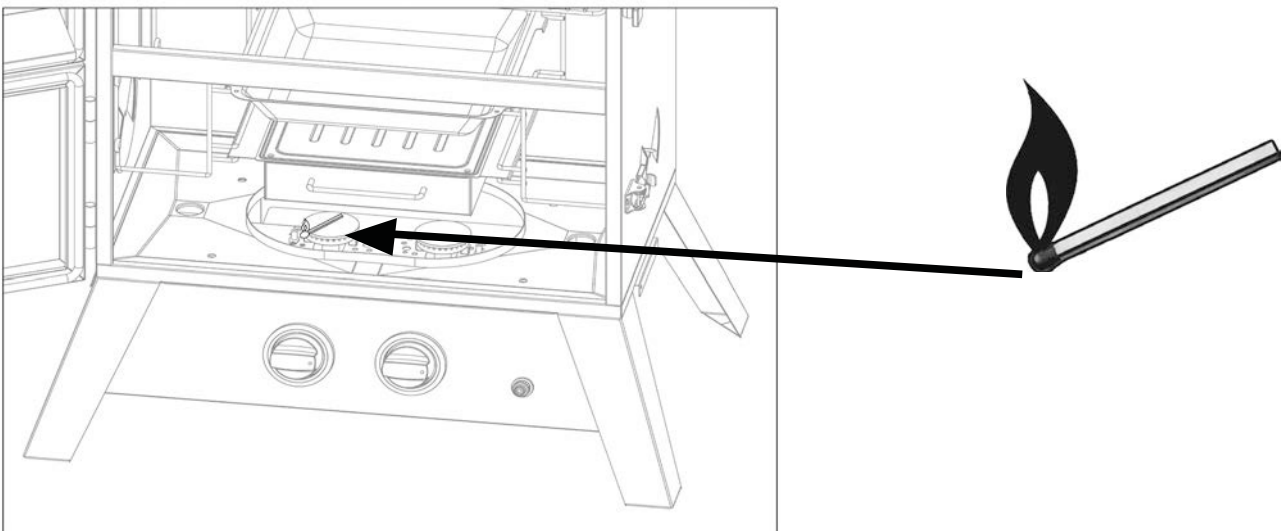
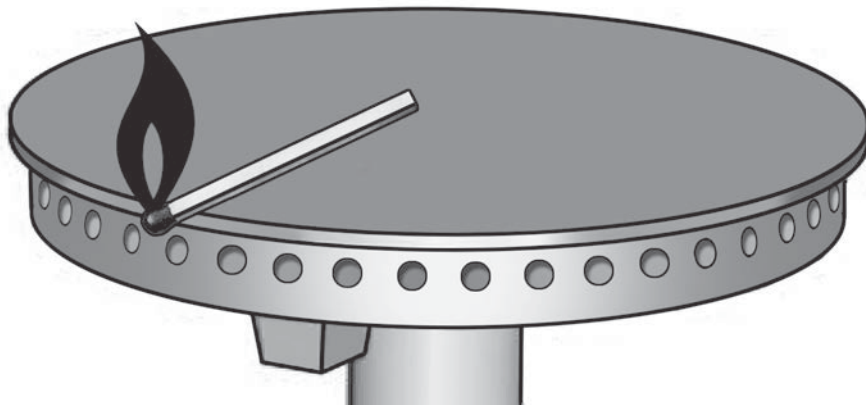
OPERATION INSTRUCTIONS

Match Lighting Procedure

Check that both control knobs are turned to the “OFF” **O** position before beginning match light procedure.


⚠ Warning: Always light your smoker with both doors open.

1. Repeat steps 1 through 5 of the igniter lighting system (PAGE 20).
2. Open both doors. Place a lit match on the left burner as shown below. Quickly turn the left control knob to the “HIGH” **🔥** position. If the burner does not light in 5 seconds, turn the control knob “OFF” **O**, wait at least 5 minutes and for the gas to clear. Repeat the process.




OPERATION INSTRUCTIONS


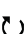
Cooking Tip: Damper Adjustments

 **WARNING:** The dampers on the smoker body and the handle on the top damper housing may become very hot while cooking. Always wear a heat resistant glove when adjusting.

- ï For best performance, rotate the smoker so that the front or back of the body is facing the wind. This allows the adjustment of the dampers to be more effective and accurate.
- ï The two dampers on smoker body should never be fully closed.
- ï Opening the damper on the smoke stack helps to exhaust both the heat and smoke.
- ï The key to effective smoking is to watch your heat indicator on the door and adjust the dampers accordingly.
- ï Temperature maintenance is best controlled by different damper adjustment configurations.

Turning off the Smoker

 **CAUTION:** The smoker can become very hot while in use. Do not touch any portion of the smoker except for the door handle and burner control knob. It may be necessary to use protective gloves.

1. Turn all the burner control knobs off by pushing in and rotating to “OFF” . Both burner flames should go out.
2. Turn off the LP cylinder valve by turning the knob clockwise  until it cannot go any farther.

Follow all warnings and safety precautions before removing meat from smoker or preparing the unit for storage. Please see page 23 for proper storage procedures and the important warnings and safeguards on pages 2-5.


CARE AND MAINTENANCE

AFTER USE SAFETY AND MAINTENANCE

WARNING

- ï Use caution when lifting and moving the smoker to avoid strain injuries. Two people are recommended to lift or move the smoker.
- ï DO NOT store the smoker near gasoline or other combustible liquids or where combustible vapors may be present. Keep the area around the smoker clear and free of combustible materials and vapors.
- ï DO NOT store this smoker in an area accessible to children or pets. Store the smoker in a dry, protected location. Disconnect cylinder from smoker.
- ï DO NOT allow anyone to conduct activities around the smoker following use until it has cooled. It is hot during operation and remains hot for a period of time following use.
- ï DO NOT leave hot ashes unattended until the smoker cools completely.
- ï The smoker becomes extremely hot – allow the smoker to cool completely before handling. If you must handle the smoker while it is hot, ALWAYS wear protective oven mitts or heat-resistant gloves. Allow the smoker to cool before removing and cleaning the grease pan.
- ï Dispose of cold ashes by wrapping them in heavy-duty aluminum foil and putting them in a noncombustible container.
- ï If you must dispose of the ashes in less time than it takes for them to completely cool. Remove the ashes from the smoker, keeping them in heavy-duty foil, and soak them completely with water before disposing of them in a noncombustible container.

GENERAL CARE AND MAINTENANCE

 **CAUTION:** All care and maintenance procedures are to be performed while the smoker is turned off and cooled. Always perform maintenance by a qualified service person.

Clean the water bowl and cooking grate with hot, soapy water. Rinse and dry thoroughly. You may prefer to coat the water bowl and cooking grid lightly with cooking oil or cooking spray.

Frequently check and clean the venturi and burner tubes for insects and insect nests. A clogged tube can lead to fire beneath the smoker. Also make sure the smoker does not have any foreign objects obstructing the flow of combustion and ventilation air.

To clean the inside and outside of the smoker cabinet, simply use a damp cloth. Spray-washing with a water hose is not recommended. Moisture should be wiped away and not allowed to stand inside or on top of the smoker. Once cleaned, you may prefer to lightly coat the interior of the smoker cabinet with cooking oil or cooking spray.

If rust is present on the exterior surface of the smoker, clean the area with steel wool or emery cloth and use heavy-duty, heat-resistant paint.

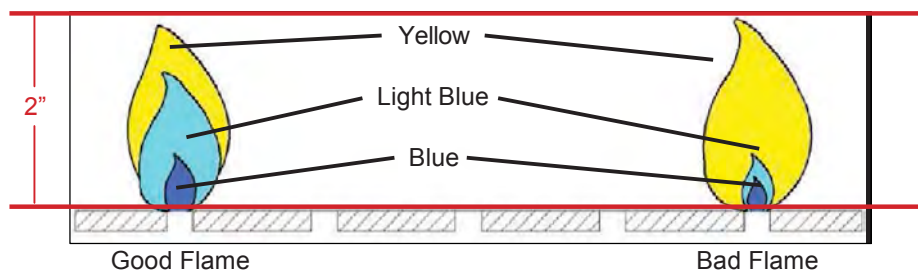
NEVER apply additional paint to the interior of the smoker. If rust is present on the interior of the smoker, clean it thoroughly with steel wool or emery cloth and lightly coat the area with cooking oil or cooking spray to help minimize recurring rust.

When an LP tank is not connected, and to help prevent dirt or other foreign particles from clogging the regulator connector, hang the end of the hose and regulator assembly on the upper door handle bracket (A).

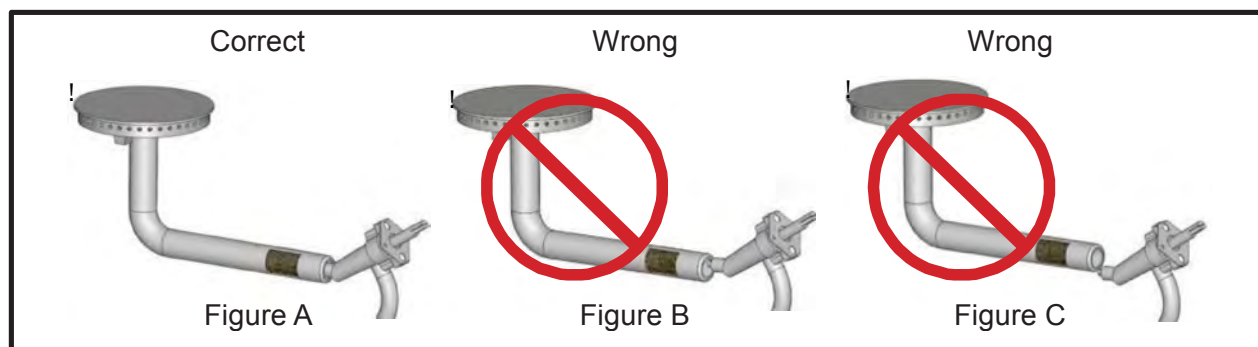
Keep the ventilation opening(s) of the cylinder enclosure free and clear from debris.

CARE AND MAINTENANCE

Inspect the flames at the burner by looking through the observing hole on left side of the Burner and control unit "H". A good flame should be blue with a yellow tip 1 to 2 in. high. If flames are excessively yellow and irregular, oil residue and food deposits may be collecting on the burner. Try cleaning the burner surface with hot, soapy water and cleaning the holes with a pipe cleaner to improve the flames.



Bad flames may also be caused by poor venturi attachment to the orifice. Turn off the control knob and cylinder valve, always let the smoker cool before cleaning or checking the assembly. Make sure the orifice of the control valve properly mates with the burner mixing tube by visual observation from the bottom of the appliance. The burner venturi tube should overlap the orifice and they should form a straight line as shown in Figure A. Figures B & C show incorrect alignment.



⚠ WARNING: If the instructions above not followed, an explosion may result, possibly causing serious bodily injury or death.

To protect your smoker from weather conditions, always keep it covered while not in use.
To obtain replacement parts or accessories, call 1-877-447-4768.

TROUBLESHOOTING

If you have any questions regarding the product, please call customer service at 1-877-447-4768, 8:30 a.m. – 4:30 p.m. CST, Monday – Friday.

PROBLEM	POSSIBLE CAUSE	CORRECTIVE ACTION
The burner will not light using the igniter procedure.	<ol style="list-style-type: none"> 1. The igniter electrode may be covered with grease or residue. 2. The igniter electrode may have a loose or disconnected wire. 3. No spark is being generated. 4. No gas flow or cylinder valve not open. 5. Vapor lock at coupling nut to LP cylinder. 	<ol style="list-style-type: none"> 1. Clean the igniter electrode. 2. Check the connection and reconnect any loose or disconnected wires. 3. Replace the AAA size battery inside the igniter. 4. Make sure LP cylinder is not empty or open cylinder valve. 5. Turn off knob and LP cylinder valve. Disconnect coupling nut from LP cylinder. Reconnect and retry.
The burner will not light with a match.	<ol style="list-style-type: none"> 1. No gas flow or an obstructed gas flow. 	<ol style="list-style-type: none"> 1. Check the fuel level. Clean the venturi tube and burner.
The flame goes out.	<ol style="list-style-type: none"> 1. Disconnected gas supply hose. 2. High or gusting winds. 	<ol style="list-style-type: none"> 1. Reconnect the gas supply hose. 2. Move the grill out of the windy area.
Flare-up.	<ol style="list-style-type: none"> 1. Excessive cooking temperatures. 2. Grease and residue build-up. 3. Excessive fat in the meat. 4. Excessive oil in the marinade. 	<ol style="list-style-type: none"> 1. Reduce the flame level. 2. Clean the components. 3. Trim fat from the meat before cooking. 4. Use a non-oil based marinade.
Yellow sooty flame.	<ol style="list-style-type: none"> 1. Excessive cooking temperature. 2. Obstruction of gas flow. 3. Ventilation closed. Damper closed. 	<ol style="list-style-type: none"> 1. Reduce the flame level. 2. Check and clean venturi tube and burner. 3. Adjust ventilation and damper accordingly.

WARRANTY

This Vertical Gas Smoker is warranted against broken or damaged parts at the time of purchase. The cast iron burner is warranted for 5 years. All other parts carry a one (1) year limited warranty except the water bowl, which is warranted to be free of defects for 90 days. Paint is warranted to be free of defects for 90 days except for rust, which may appear after repeated use.

This warranty does not cover damage or issues related to neglect, abuse or modifications to the appliance. Repair labor is not covered.

All parts that meet the warranty requirements will be shipped at no charge via the discretion of GHP Group Inc. (ground shipments, US Mail or Parcel Post ONLY). Any special handling charges (i.e. Second Day, Overnight, etc.) will be the responsibility of the consumer.

All warranty claims apply only to the original purchaser and require a proof of purchase verifying purchase date. Do not return parts to GHP address without first obtaining a return authorization number from our customer service. This service is available by calling toll free 1-877-447-4768, 8:30 a.m. – 4:30 p.m. CST, Monday – Friday.

Some states do not allow the exclusion or limitation of incidental or consequential damages or limitations on how long an implied warranty lasts, so the above limitations or exclusions may not apply to you. This warranty gives you specific legal rights, and you may have other rights that vary from state to state.

GHP Group Inc.
6440 W. Howard St.
Niles, IL USA 60714-3302

Item name: LP Gas Smoker
Model #: DGW1904BDP-D
Rated BTU (Per Burner): 11,000 BTU/Hr

REPLACEMENT PARTS LIST

For replacement parts, call our customer service department at 1-877-447-4768, 8:30 a.m. – 4:30 p.m. CST, Monday – Friday.

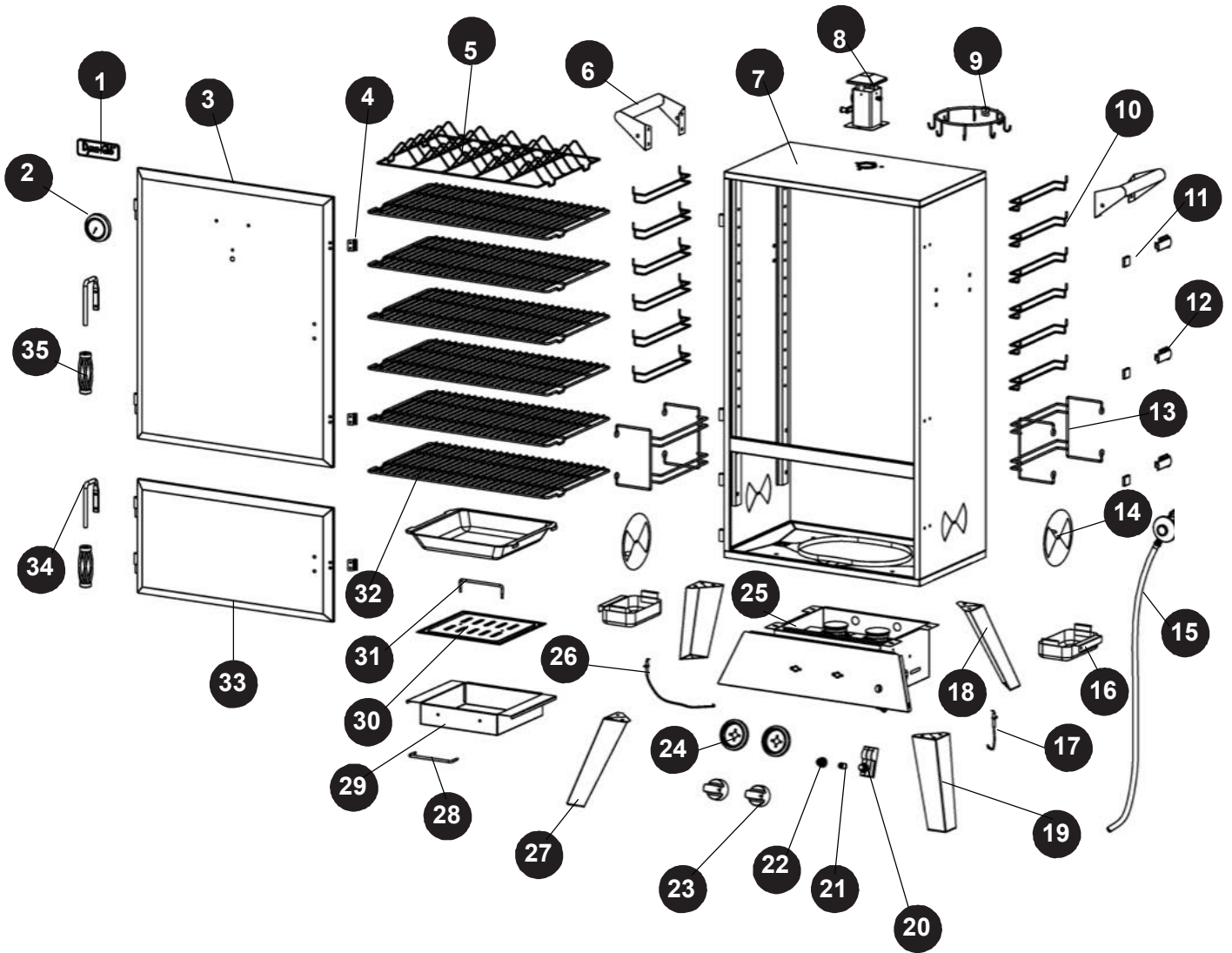
PART	DESCRIPTION	PART #
1	Logo plate - DynaGlo*	211-02002
2	Temperature Gauge	211-02005
3	Upper Door	70-01-171
4	Door Latch Bracket	70-01-156
5	Rib Rack	70-01-157
6	Lifting Handle	301-01010-00
7	Smoker Body	70-01-172
8	Smoke Stack	312-02009-00
9	Sausage Hooks	70-01-159
10	Cooking Grate Support	302-01030-00
11	Door Latch Handle	70-01-160
12	Door Latch	70-01-161
13	Support Bracket	70-01-162
14	Side Damper Plate - Left or Right	301-01001-04
15	Regulator Assembly	70-02-102
16	Grease Cup	70-01-163
17	Ignition Electrode & Ignition Wire-Short	70-03-100
18	Rear Leg (Left or Right)	301-01016-00
19	Front Leg - Right	70-01-164

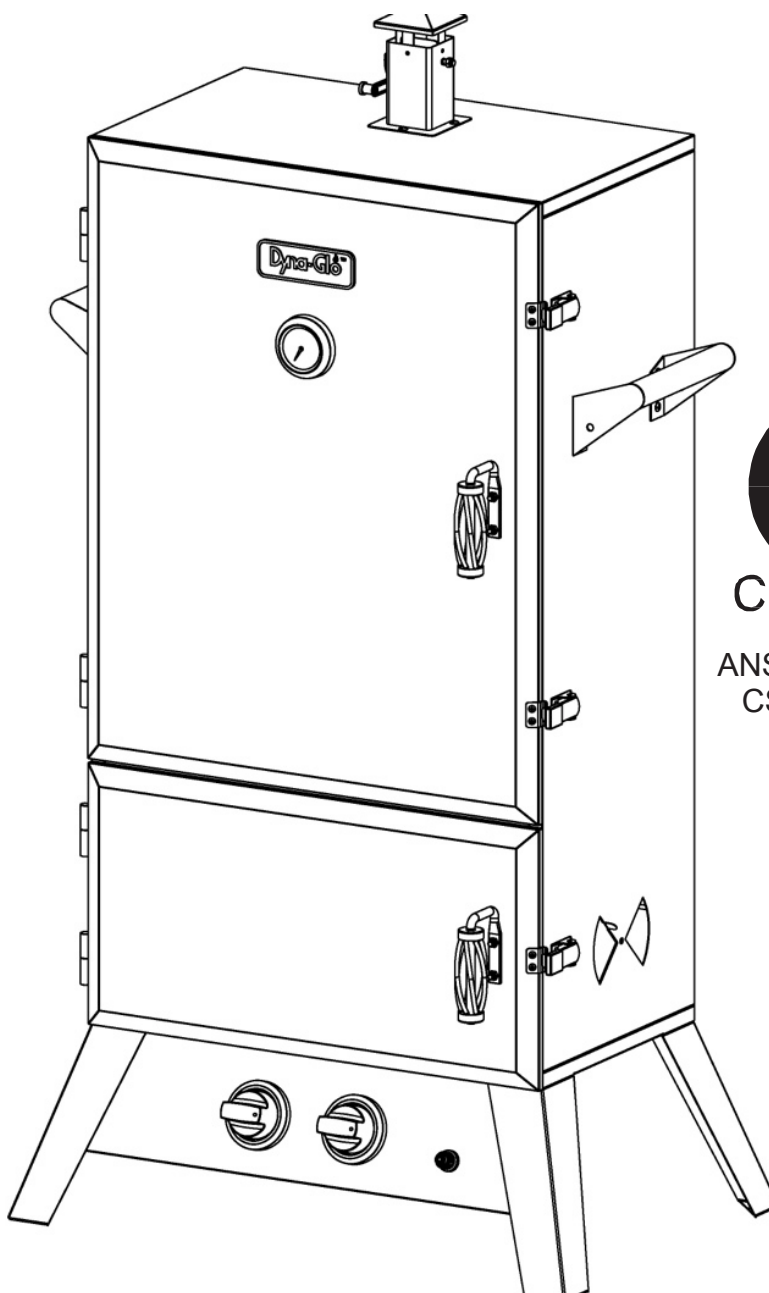
PART	DESCRIPTION	PART #
20	Ignition Push Button (Cap Only)	301-01015-03
21	Ignition Cap Spring	301-01015-05
22	Electronic Ignition with Cap	301-01015-06
23	Control Knob	301-01015-01
24	Control Knob Bezel*	301-01015-02
25	Burner and Control Unit	70-01-165
26	Ignition Electrode & Ignition Wire-long	70-03-101
27	Front Leg - Left	70-01-166
28	Handle for Wood Chip Box or Wood Chip Box Lid*	301-01028-02
29	Wood Chip Box	301-01028-00
30	Wood Chip Box Lid	301-01029-00
31	Water Bowl	301-02017-00
32	Cooking Grate	70-01-167
33	Lower Door	70-01-168
34	Door Handle Grip	70-01-169
35	Door Handle Base	70-01-170
36	Hardware Pack	70-09-108
37	Owner's/Instruction Manual	70-10-114

*Includes Hardware

REPLACEMENT PARTS LIST

For replacement parts, call our customer service department at 1-877-447-4768, 8:30 a.m. – 4:30 p.m. CST, Monday – Friday.





ANS Z21.89-2013
CSA 1.18-2013

ATTACHEZ VOTRE REÇU ICI

No de série _____ Date d'achat _____



Des questions, des problèmes, des pièces manquantes? Avant de retourner l'article à votre détaillant, appelez notre service à la clientèle au 1 877 447-4768, du lundi au vendredi de 8 h 30 h à 16 h 30, HNC.



NUL BESOIN DE REVENIR AU MAGASIN

Questions sur l'assemblage?

Besoin d'information sur des pièces?

Le produit est couvert par la garantie des fabricants?

Composez le numéro sans frais : 1 877 447-4768

du lundi au vendredi de 8 h 30 h à 16 h 30, HNC

Conservez ce Manuel du propriétaire et votre preuve d'achat en cas de besoin

Pour nous permettre de vous aider

Fournissez les renseignements ci-après :

Date d'achat

Lieu d'achat

Numéro de modèle

N° de série du produit

LE NUMÉRO DE MODÈLE ET LE NUMÉRO DE SÉRIE DU PRODUIT FIGURENT SUR
L'ÉTIQUETTE INDIQUANT LE DÉBIT CALORIFIQUE DE VOTRE PRODUIT.

TABLE DES MATIÈRES

Consignes de sécurité	31
Contenu de l'emballage.....	34
Quincaillerie	35
Préparation	35
Instructions pour l'assemblage.....	36
Mode d'emploi	40
Soin et entretien	50
Dépannage	52
Garantie	53
Liste des pièces de rechange	54

Assembleur ou installateur : Cette notice contient des renseignements importants permettant un assemblage adéquat et à une utilisation sécuritaire de l'appareil. Lire et suivre toutes les mises en garde et toutes les instructions avant l'assemblage et l'utilisation de l'appareil.

Remettez ces instructions au consommateur.

Consommateur ou utilisateur : Suivre toutes les mises en garde et toutes les instructions lors de l'utilisation de l'appareil. **Conservez cette notice pour consultation ultérieure.**



AVERTISSEMENT :

Si vous sentez une odeur de gaz:

1. **Coupez l'admission de gaz de l'appareil.**



AVERTISSEMENT :

Le non respect des instructions suivantes peut entraîner des dommages matériels, des blessures graves ou la mort résultant d'un incendie ou d'une explosion.

! DANGER

1. Ne jamais faire fonctionner cet appareil sans surveillance.
2. Ne jamais faire fonctionner cet appareil à moins de 10 pieds (3,05 m) d'une autre bouteille de gaz.
3. Ne jamais faire fonctionner cet appareil à moins de 25 pieds (7,5 m) d'un liquide inflammable.
4. Ne jamais laisser l'huile ou la graisse excéder 400°F (200°C). Si la température dépasse 400°F (200°C) ou si de la fumée se dégage de l'huile, FERMER immédiatement le brûleur ou l'alimentation en gaz.
5. Les liquides chauffés demeurent brûlants longtemps après la cuisson. Ne jamais toucher l'appareil de cuisson avant que la température des liquides ne soit à 115°F (45 °C) ou moins.
6. Si un incendie devait se produire, restez loin de l'appareil et appeler immédiatement le service des incendies. Ne tentez pas d'éteindre l'huile ou la graisse en feu avec de l'eau.



AVERTISSEMENT :

Le non respect des instructions suivantes peut entraîner des dommages matériels, des blessures graves ou la mort résultant d'un incendie ou d'une explosion.



CONSIGNES DE SÉCURITÉ

Lire et suivre toutes les mises en garde et toutes les instructions avant l'assemblage et l'utilisation de l'appareil. Si vous avez des questions concernant ce produit, veuillez téléphoner au service à la clientèle au 1 877 447-4768, du lundi au vendredi de 8 h 30 à 16 h 30, HNC.

Proposition 65 de la Californie

Les combustibles utilisés dans les appareils de chauffage au gaz ou à l'huile, et les produits de combustion contiennent des produits chimiques reconnus par l'État de la Californie comme étant la cause de cancers et d'anomalies congénitales et d'autres problèmes liés aux fonctions reproductrices. Cet appareil contient des produits chimiques, notamment du plomb et des composés de plomb, reconnus par l'État de la Californie comme étant la cause de cancers, d'anomalies congénitales et d'autres problèmes liés aux fonctions reproductrices. **Lavez-vous les mains après l'avoir manipulé.**

- ï N'utilisez PAS cet appareil pour un usage autre que celui auquel il est destiné. Il n'est PAS conçu pour un usage commercial ni pour être installé ou utilisé dans un véhicule récréatif ou un bateau.
- ï Gardez un extincteur d'incendie près de l'appareil en tout temps.
- ï Cet appareil est conçu pour une utilisation extérieure seulement, dans un endroit bien aéré. NE l'utilisez PAS dans un immeuble, un garage ou tout autre espace clos ou couvert.
- ï Les matériaux combustibles doivent être tenus à une distance d'au moins 92 cm (36 po) des côtés, de l'avant et de l'arrière de l'appareil. Il est très important de toujours maintenir des dégagements adéquats des matériaux combustibles.
- ï La bouteille de gaz doit être placée à au moins 61 cm (24 po) de l'appareil.
- ï N'entrez PAS le flux d'air de combustion ou de ventilation de l'appareil.
- ï Le fumoir doit être utilisé dans un endroit dépourvu de matériaux combustibles et sur une surface plane, stable et non combustible.
- ï Veuillez vous assurer de protéger le tuyau d'alimentation en gaz des dommages pouvant être occasionnés par les personnes qui se trouvent à proximité ou les véhicules.
- ï Nettoyez et inspectez le tuyau avant chaque utilisation. Si vous constatez de l'usure, de l'abrasion, une coupure ou une fuite, il est important de remplacer le tuyau avant d'utiliser l'appareil.
- ï Utilisez l'ensemble de tuyaux de remplacement recommandé par le fabricant.
- ï Avant chaque utilisation, assurez-vous qu'il n'y a pas de feuilles mortes ou de débris sous l'appareil.
- ï Entrez l'appareil dans un endroit sec et protégé.
- ï L'usage d'alcool ou de médicaments vendus avec ou sans ordonnance peut altérer l'habileté de l'utilisateur à assembler adéquatement et à faire fonctionner l'appareil de façon sécuritaire.
- ï Laissez refroidir le fumoir jusqu'à une température de 45° C (115° F) avant de le déplacer ou de le ranger. Faites attention lorsque vous soulevez et déplacez l'appareil afin d'éviter les maux de dos ou les blessures au dos. NE déplacez PAS l'appareil lorsqu'il est en cours d'utilisation.
- Lorsque vous n'utilisez pas l'appareil, débranchez toujours le régulateur de la bouteille de propane et accrochez-le sur les poignées de transport. Le tuyau d'alimentation NE doit PAS être en contact avec une surface chaude.
- Cet appareil NE doit PAS être rangé ou utilisé à proximité de toute vapeur ou de tout liquide inflammable, notamment de l'essence.



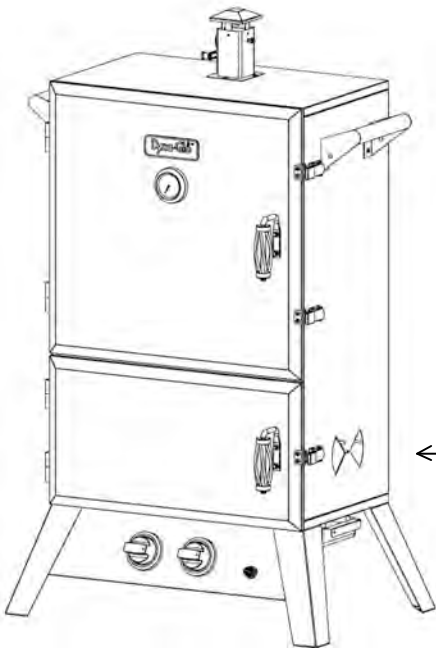
CONSIGNES DE SÉCURITÉ

- ï N'utilisez PAS cet appareil pour générer de la chaleur.
- ï NE laissez PAS l'appareil sans surveillance pendant son fonctionnement. Gardez l'appareil hors de la portée des enfants et des animaux en tout temps.
- ï NE fermez JAMAIS le registre complètement lorsque vous utilisez l'appareil.
- ï Si vous devez vous débarrasser des cendres avant qu'elles ne soient complètement froides, retirez-les de l'appareil, conservez-les dans du papier aluminium résistant et trempez-les entièrement dans l'eau avant de les mettre dans un contenant non combustible.
- ï Cet appareil dégage de la chaleur pendant et après son utilisation. Utilisez des gants isolants ou des gants de cuisine pour vous protéger des surfaces chaudes et des éclaboussures de liquides de cuisson.
- ï Assurez-vous par observation visuelle que l'orifice de chaque soupape de commande s'accouple correctement avec le tube de mélange du brûleur. S'il vous plaît consultez la section d'entretien.
- ï Faites preuve de prudence lors de l'ouverture des portes du fumoir en cours de fonctionnement. Gardez les mains, le visage et le corps à l'abri de la vapeur chaude ou de poussées de combustion. NE PAS inhaler de la fumée.
- ï NE portez PAS de vêtements amples lorsque vous utilisez le fumoir. Attachez vos cheveux s'ils sont longs et portez des chaussures qui recouvrent entièrement vos pieds durant le fonctionnement de l'appareil.
- ï Attendez que le fumoir et ses composants soient complètement refroidis avant de le nettoyer ou d'en faire l'entretien.
- ï NE placez JAMAIS d'ustensiles en verre, en plastique ou en céramique sur le fumoir ou à l'intérieur de celui-ci. N'utilisez que des ustensiles en métal.
- ï NE faites JAMAIS fonctionner le fumoir sans qu'il n'y ait d'eau dans le récipient d'eau. NE laissez JAMAIS l'eau s'évaporer complètement et vérifiez le niveau d'eau toutes les deux heures. Si vous entendez un sifflement, il est possible que le niveau d'eau soit bas. Suivez les instructions qui se trouvent à la page 42 pour ajouter de l'eau lorsque le fumoir est en fonction.
- ï Si vous utilisez du bois pour aromatiser les aliments, assurez-vous que la quantité est suffisante pour toute la durée de la cuisson. L'ajout de bois durant le fonctionnement de l'appareil peut causer des blessures graves dues aux éclaboussures d'eau chaude.
- ï L'utilisation d'accessoires qui ne sont pas conçus pour ce fumoir n'est pas recommandée et peut causer des blessures ou entraîner des dommages matériels.
- ï Toute bouteille de propane qui n'est pas branchée ne doit pas être entreposée à proximité du fumoir ou de tout autre appareil. NE rangez PAS les bouteilles de propane liquide à moins de 3,05 m (10 pi) du fumoir. Elles doivent être rangées à l'extérieur, hors de la portée des enfants, et non dans un bâtiment, un garage ou un espace fermé.
- ï NE rangez PAS les bouteilles de propane liquide dans le fumoir ou sur celui-ci. Un rangement inadéquat des bouteilles pourrait causer une explosion, un incendie ou des blessures. Les bouteilles doivent être rangées à l'extérieur, hors de la portée des enfants, et non dans un immeuble, un garage ou tout autre espace clos.
- ï Lorsque le fumoir n'est pas en fonction, l'alimentation en gaz doit être coupée directement à la bouteille.
- ï Les gaz de pétrole comme le propane sont plus lourds que l'air, tendent à se concentrer près du sol et sont très inflammables. Prenez des précautions adéquates lorsque vous utilisez ces combustibles.
- ï Si vous détectez une odeur de gaz non brûlé, vous devez éteindre le fumoir et fermer toutes les valves d'alimentation de la tuyauterie et de la bouteille de gaz. N'utilisez pas le fumoir avant d'avoir trouvé la source de cette odeur de gaz non brûlé et réparé la fuite.

CONSIGNES DE SÉCURITÉ

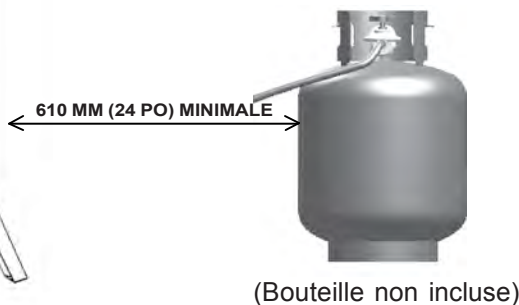
- ï N'utilisez pas le fumoir si le brûleur ne s'allume pas ou s'il s'éteint. Dans de tels cas, vous devez couper l'alimentation en gaz et débrancher la bouteille de gaz.
- ï Vous devez éviter d'utiliser le brûleur lorsque des vents forts nuisent à son fonctionnement, par exemple s'il s'éteint ou si des flammes s'en échappent. Si son fonctionnement ne s'améliore pas même après avoir changé la position du fumoir, vous devez éteindre l'appareil.
- ï L'ensemble régulateur et tuyau doit être placé aussi loin du fumoir que la longueur du tuyau le permet, c'est-à-dire à au moins 61 cm (24 po) en ligne droite. De cette façon, la bouteille de gaz sera à une distance maximale du fumoir. Lorsque le fumoir est en fonction, la ligne formée par le tuyau, le régulateur et la bouteille de gaz doit être perpendiculaire à la direction du vent. Si vous placez la bouteille de gaz à moins de 61 cm (24 po) du fumoir, celle-ci peut surchauffer et provoquer un incendie ou une explosion en raison de la fuite de propane par les ouvertures d'échappement.
- ï Lire et suivre toutes les mises en garde et toutes les instructions avant l'assemblage et l'utilisation de l'appareil.
- ï Suivre toutes les mises en garde et toutes les instructions lors de l'utilisation de l'appareil.

REMARQUE : L'installation doit être effectuée conformément à la réglementation locale ou, en l'absence d'une telle réglementation, au National Fuel Gas Code, ANSI Z223.1/NFPA 54, Natural Gas and Propane Installation Code, CSA B149.1, ou Propane Storage and Handling Code, B149.2, ou au Standard for Recreational Vehicles, ANSI A 119.2/ NFPA 1192, et CSA Z240 RV Series, Recreational Vehicle Code, comme applicable.



AVERTISSEMENT :

Le tuyau à l'attachement du réservoir crée un potentiel trébucher pour l'utilisateur et les piétons - utilisation de prudence. Ne pas autoriser ou provoquer le réservoir de gaz ou de l'appareil à la pointe.



L'allumage électronique nécessite une pile alcaline « AAA » incluse.

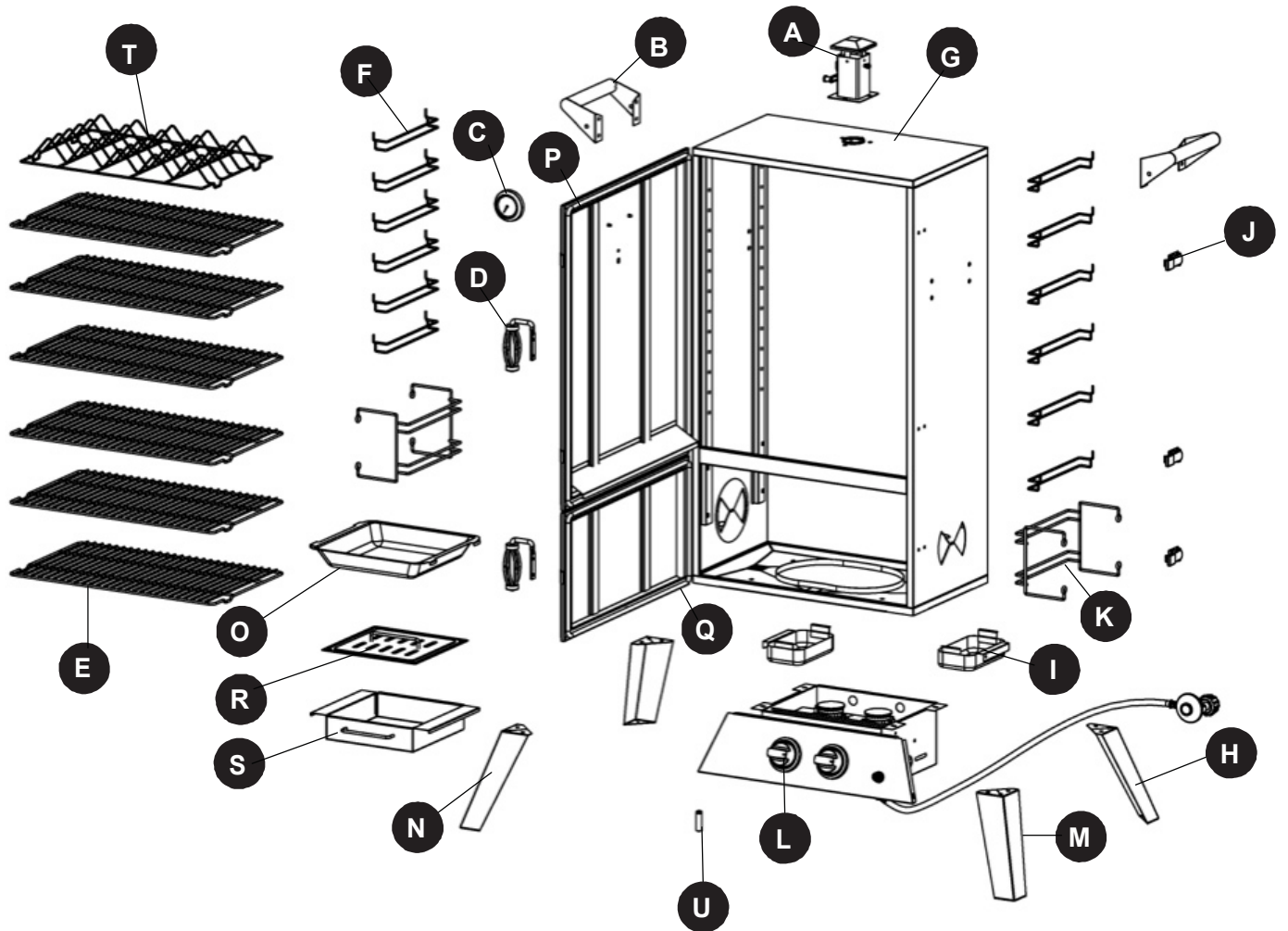
AVERTISSEMENT

N'utilisez PAS de vieilles piles avec des piles neuves.

NE combinez PAS des piles alcalines avec des piles ordinaires (carbone-zinc) ou avec des piles rechargeables (nickel-cadmium).

NE jetez PAS les piles au feu. Une mise au rebut inadéquate pourrait causer une fuite ou faire exploser les piles.

CONTENU DE L'EMBALLAGE

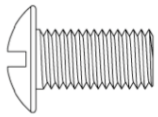


PIECE	DESCRIPTION	QTE
A	Pile de fumée assemblage	1
B	Poignée de levage	2
C	Indicateur de température	1
D	Poignée de porte	2
E	Grilles de cuisson	6
F	Grilles de cuisson soutien	12
G	Corps fumeur	1
H	Patte arrière	2
I	Coupe de la graisse	2
J	Loquet de porte	3
K	Patte de support	2

PIECE	DESCRIPTION	QTE
L	Brûleur et Unité de Contrôle	1
M	Patte avant - droite	1
N	Patte avant - gauche	1
O	Abreuvoir	1
P	Porte supérieure	1
Q	Porte basse	1
R	Copeaux couvercle de la boîte	1
S	Copeaux de bois Box	1
T	Porte-côtes	1
U	Batterie	1

QUINCAILLERIE (la véritable taille montrée)

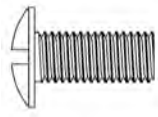
AA



Boulon
M6x12

Qté 42

BB



Boulon
M4x10

Qty. 6

CC



M6
Erou

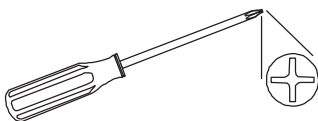
Qté 4

PRÉPARATION

Avant que commencer l'assemblage de produit, assurer que toutes pièces sont présentes. Comparer pièces aux contenus de packet énumèrent de le et les contenus de matériel au-dessus. S'il y a des pièces manquantes ou endommagées, ne tentez pas d'assembler l'appareil. Pour vous procurer des pièces de rechange, appelez notre service.

Temps d'assemblage approximatif : 25 minutes

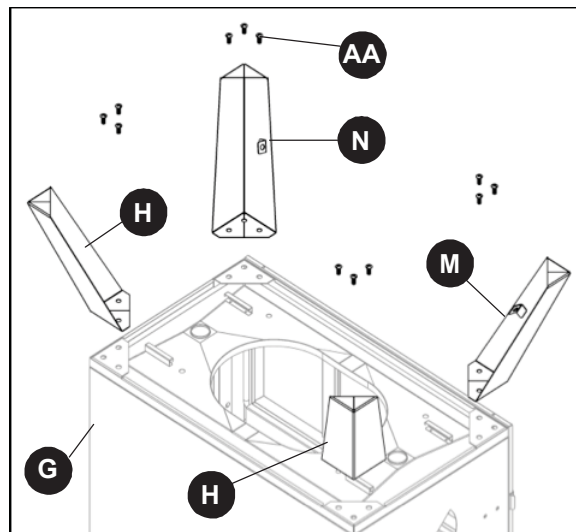
Outils nécessaires (non inclus): Tournevis cruciforme, pinces et clé à molette.



INSTRUCTIONS POUR L'ASSEMBLAGE

1. **ATTENTION: Retirez la porte supérieure (P) et l'inférieure (Q) avant de commencer l'assemblage.** Fixez la patte arrière (H) & la patte avant droite (M) & la patte avant gauche (N) au corps du fumoir (G) à l'aide de douze vis M6x12 (AA).

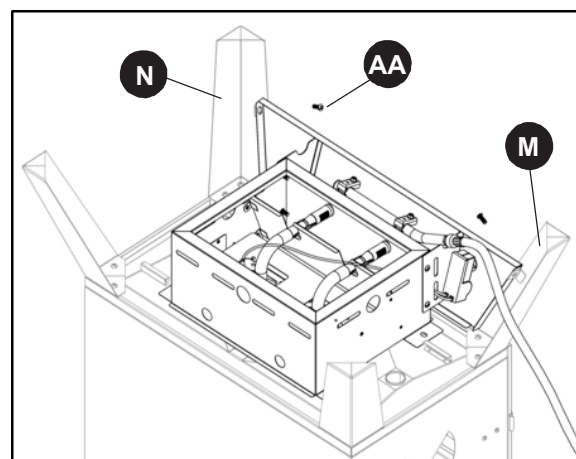
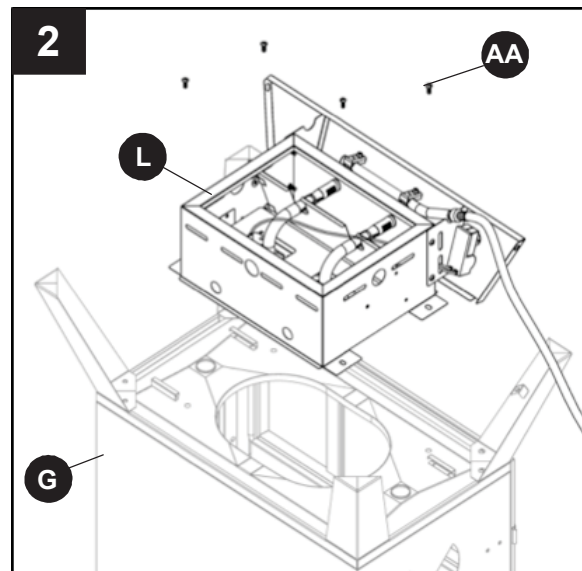
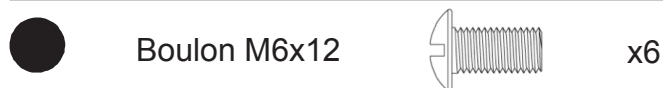
Quincaillerie utilisée



2. Mettez à l'envers le brûleur et l'unité de commande (L) et placez-les sur le fond du corps du fumoir (G). Alignez les six trous de montage sur le brûleur et sur l'unité de commande (L) avec les trous sur le corps du fumoir (G). Fixez le tout à l'aide de six vis M6x12 (AA). Serrez tous les vis.

Remarque: Le bouton de commande doit se trouver sur le même côté que la porte. Vérifiez que le brûleur soit correctement installé sur l'orifice avant de fixer le brûleur et l'unité de commande (L).

Quincaillerie utilisée



INSTRUCTIONS POUR L'ASSEMBLAGE

3. ATTENTION: Cet appareil est lourd! N'essayez pas cette étape sans assistance!

Placez à nouveau la porte supérieure (P) et l'inférieure (Q) sur les charnières du corps de fumoir (G) et fermez les portes.

Placez la cheminée carrée (A) avec le bras de commande vers la gauche, comme illustré. En utilisant 4 vis (AA), fixez la cheminée carrée (A) à la partie supérieure du corps du fumoir (G). Serrez fermement avec un tournevis cruciforme.

Quincaillerie utilisée



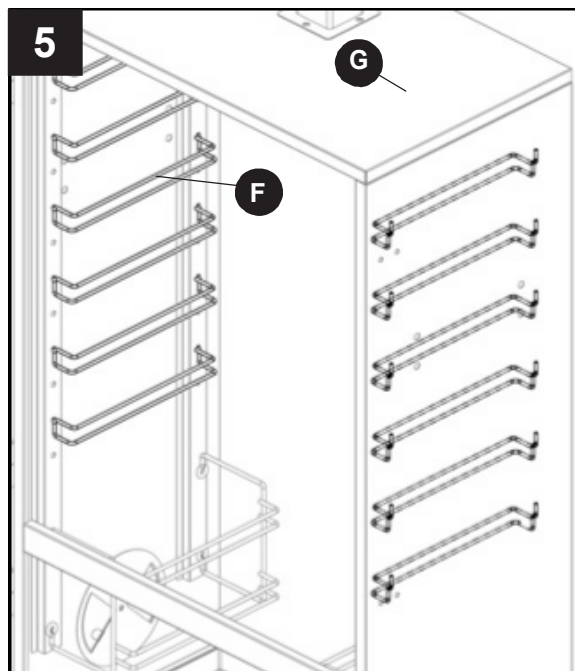
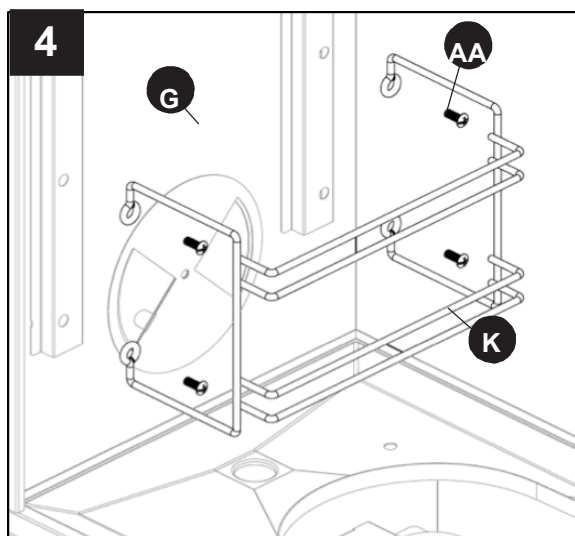
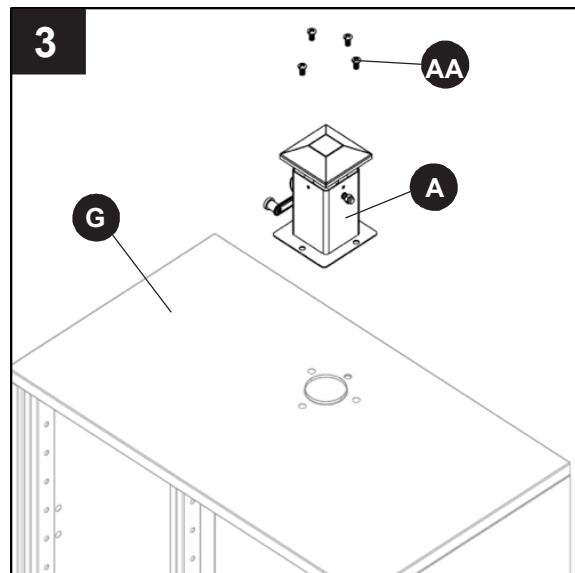
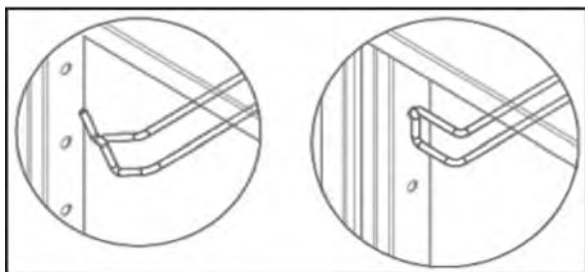
4. Fixez l'appui de support (K) au corps du fumoir (G) à l'aide de quatre vis M6x12 (CC). Répétez pour l'autre appui de support (K).

Quincaillerie utilisée



5. Insérez les supports de cuisson de la grille (F) dans les trous correspondants sur la grille de la grille à l'intérieur le corps de fumeur (G) à partir du bas vers le haut.

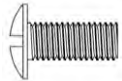
NOTE: Il est 12 positions possibles pour installer la grille de cuisson en fonction des besoins de l'utilisateur.

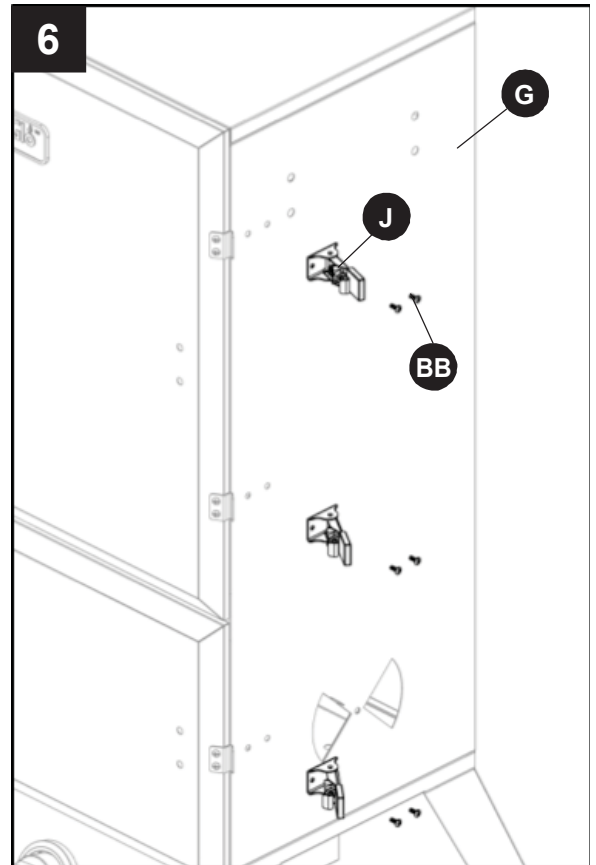


INSTRUCTIONS POUR L'ASSEMBLAGE

6. Attacher de fermeture de porte (J) de corps de fumeur (G) à l'aide deux vis M4x10 (CC). Répétez pour l'autre loquet de la portes (J).

Hardware Used

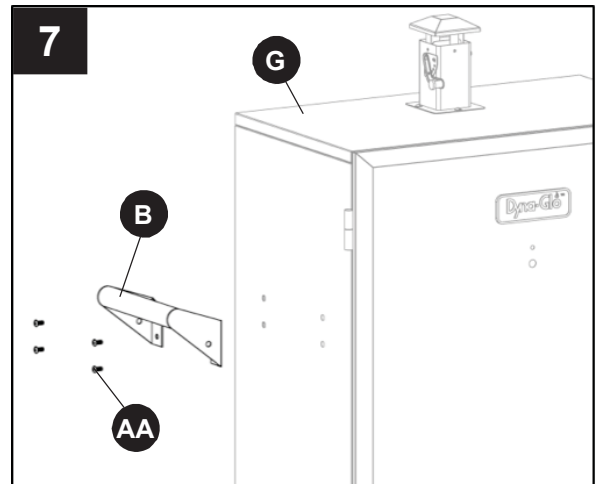
BB	Boulon M4x10		x6
-----------	-----------------	---	----



7. Fixez la poignée de levage (B) pour fumeur corps-gauche (G) à l'aide de quatre vis M6x12 (AA). Répétez de l'autre côté.

Hardware Used

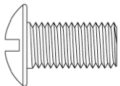

AA	Boulon M6x12		x8
-----------	--------------	---	----

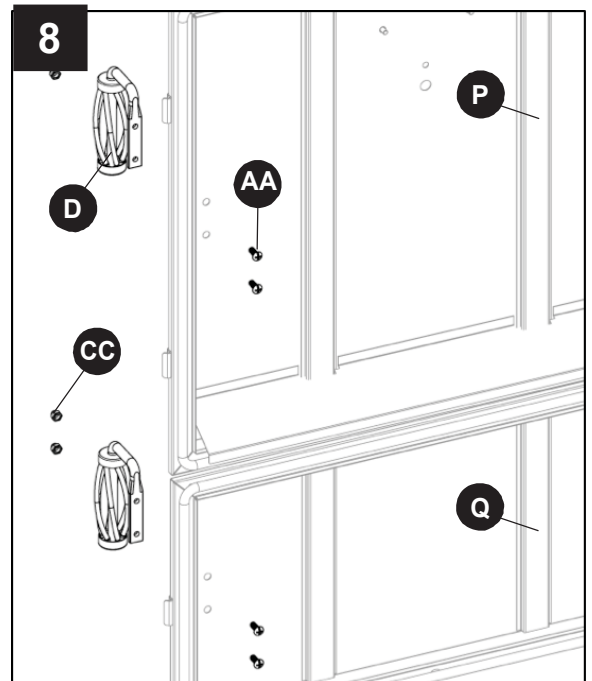


INSTRUCTIONS POUR L'ASSEMBLAGE

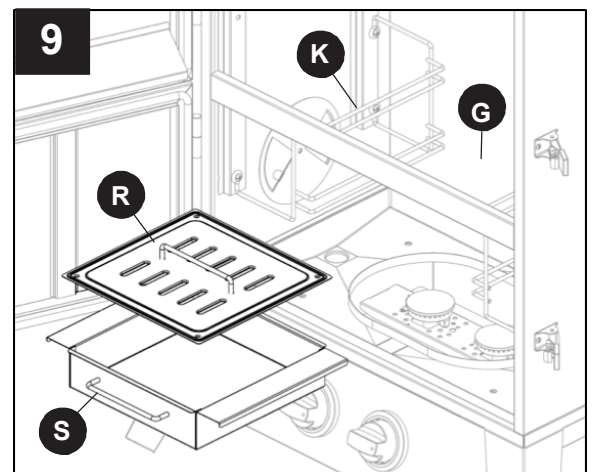
8. Attachez la poignée de porte (D) à la porte supérieure (P) à l'aide de deux vis M6x12 (AA) et deux écrous M6 (CC). Répétez l'opération pour la porte inférieure (Q).

Hardware Used

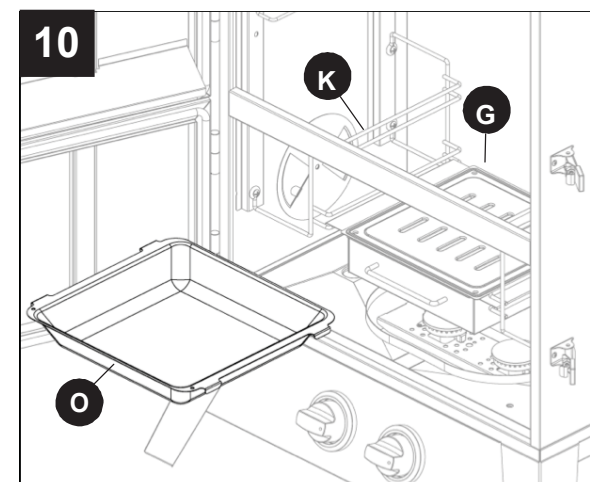
AA	Boulon M6x12		x4
CC	M6 Ecrou		x4



9. Placez le couvercle de la boîte de copeaux de bois (R) directement sur la boîte de copeaux de bois (S) et faites glisser la boîte de copeaux de bois sur l'appui de support inférieur (K) situé à l'intérieur du corps du fumoir (G).

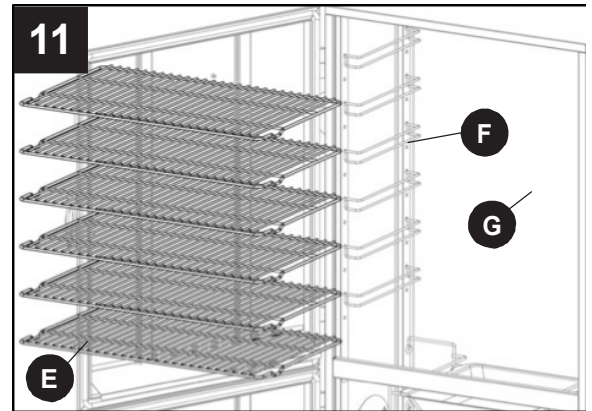


10. Faites glisser le bol d'eau (S) sur l'appui de support supérieur (K) à l'intérieur du corps du fumoir (G).



INSTRUCTIONS POUR L'ASSEMBLAGE

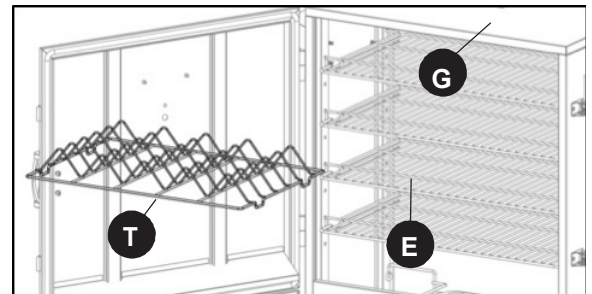
11. Faites glisser les grilles de cuisson (E) sur la grille les supports (F) à l'intérieur du corps de fumeur (G).



Installation du porte-côtes (Facultatif)

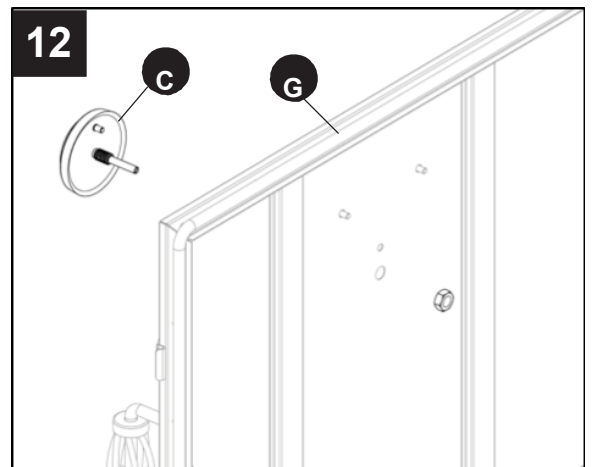
Placer la porte-côtes (T) directement sur le choix grille avant de glisser la grille sur les supports.

REMARQUE: Le bord gauche ou droit de la grille de côte devrait pas pendre sur le bord extérieur de la grille de cuisson avant de le remettre dans le fumeur.

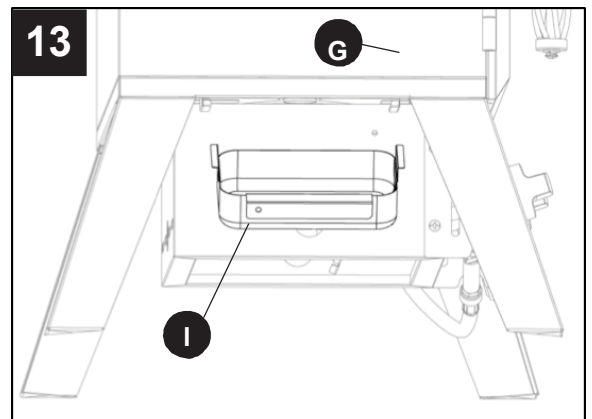


12. **Installation de l'indicateur de température**

Tout d'abord, enlever l'écrou pré-assemblé à partir de la indicateur de température (C).
Insérez la sonde de l'indicateur de température dans le trou de l'porte de fumeur de l'extérieur.
Fixer à l'aide écrou de panneau intérieur.
Serrez avec la clé.

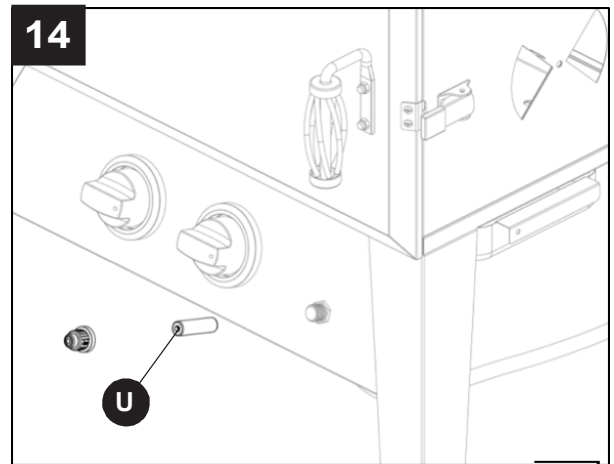


13. Faites glisser le bac à graisse (I) sur le support pour le bac à graisse de la partie inférieure du corps du fumoir (G). Répétez l'opération sur l'autre côté.



INSTRUCTIONS POUR L'ASSEMBLAGE

14. Retirez le capuchon de l'allumeur en tournant dans le sens antihoraire. Insérez la pile AAA (U) dans le corps de l'allumeur avec le pôle positif (+) vers l'extérieur. Remettez le capuchon de l'allumeur.



MODE D'EMPLOI

RACCORDEMENT DE LA BOUTEILLE DE PROPANE

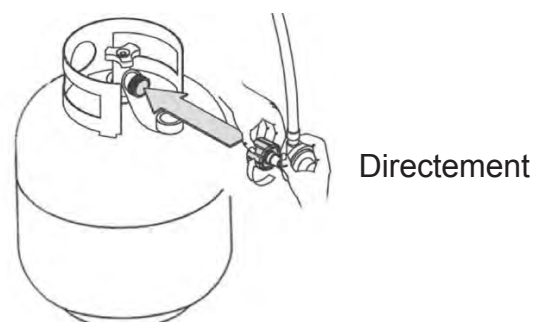
AVERTISSEMENT

TOUTES LES INSTRUCTIONS ET MESURES DE SÉCURITÉ QUI SUIVENT DOIVENT ÊTRE RESPECTÉES AFIN DE PRÉVENIR LES INCENDIES, LES DOMMAGES ET LES BLESSURES.

1. Le robinet de la bouteille de propane doit être fermé. Pour vérifier si c'est le cas, assurez-vous qu'il n'est pas possible de le tourner davantage dans le sens des aiguilles d'une montre. Le système d'alimentation de la bouteille doit être placé de façon à permettre l'utilisation du propane à l'état gazeux.
2. Vérifiez que le bouton de commande du dispositif de commande du brûleur est à la position OFF (arrêt).
3. Retirez le capuchon de protection de la valve et de l'écrou d'accouplement de la bouteille de propane.
4. Tenez le régulateur dans une main et insérez le mamelon dans le tuyau de sortie. Assurez-vous que le mamelon est bien centré dans le tuyau de sortie. Le manchon se visse sur les filets extérieurs de grande dimension du tuyau de sortie. Faites attention de ne pas fausser le filetage du raccord.
5. Serrez le manchon à la main dans le sens des aiguilles d'une montre jusqu'à ce qu'il ne soit plus possible de le tourner davantage. Vissez-le fermement à la main. N'utilisez pas d'outils.

MISE EN GARDE :

Par mesure de sécurité, assurez-vous que le connecteur de l'orifice d'entrée du régulateur est correctement et solidement raccordé au tuyau de sortie de la bouteille.



MODE D'EMPLOI

AToute bouteille de gaz doit être fabriquée et identifiée conformément à la réglementation U.S. Department of Transportation (DOT) CFR 49, ou la Standard for Cylinders, Spheres and Tubes for the Transportation of Dangerous Goods, CAN/CSA B339. Cet appareil doit uniquement être utilisé avec des bouteilles verticales de 9,07 kg (20 lb) qui permettent un retrait du propane à l'état gazeux et qui sont munies d'un collet pour protéger le robinet.

(A) NE rangez PAS les bouteilles de propane de rechange sous le fumoir ou près de celui-ci.

(B) Ne remplissez JAMAIS une bouteille à plus de 80 % de sa capacité.

(C) Ne rangez pas les bouteilles à l'intérieur.



AVERTISSEMENT

Un incendie peut se produire et entraîner des blessures graves ou la mort si les directives (A), (B) et (C) mentionnées ci-dessus ne sont pas observées attentivement.

Ce fumoir est conçu pour fonctionner sur LP (propane liquide) de gaz seulement. La bouteille de gaz utilisés doivent avoir un collet pour protéger le robinet de la bouteille. Le système d'approvisionnement en bouteille doit être organisé pour le retrait de vapeur. Ne pas laisser la saleté ou des corps étrangers d'entrer dans ou sur raccord de réservoir quand il n'est pas attaché au système d'alimentation en carburant. Utilisez le capuchon de protection fourni.



AVERTISSEMENT

TOUTES LES INSTRUCTIONS ET MESURES DE SÉCURITÉ QUI SUIVENT DOIVENT ÊTRE RESPECTÉES AFIN DE PRÉVENIR LES INCENDIES, LES DOMMAGES ET LES BLESSURES.

La bouteille doit être munie d'un raccord de valve de type 1 afin de pouvoir y fixer le tuyau de gaz fourni avec le fumoir. Il faut utiliser le régulateur de pression et l'ensemble tuyau fournis avec cet appareil par le fabricant. Au moment du remplacement du régulateur de pression ou de l'ensemble tuyau, il faut choisir le modèle indiqué par le fabricant de l'appareil.

Cet appareil ne doit pas être utilisé avec un système non autonome d'alimentation en propane.

La valve et les régulateurs de pression sont réglés par défaut aux pressions de fonctionnement adéquates. Vous ne devez pas tenter de modifier ces réglages.

RETRAIT LA BOUTEILLE DE PROPANE

Vérifiez si le robinet de la bouteille de propane est fermé en vous assurant qu'il n'est pas possible de le tourner davantage dans le sens des aiguilles d'une montre. ↻

Tenez le régulateur dans une main et tournez le manchon du tuyau de sortie dans le sens contraire ↻ des aiguilles d'une montre. Dévissez le raccord à la main seulement.

N'utilisez pas d'outils.

Remettez en place le capuchon de protection de la valve et de l'écrou d'accouplement de la bouteille de propane (s'il y en a un).

Après chaque utilisation de l'appareil, attendez qu'il refroidisse, débranchez le régulateur de la bouteille de propane et accrochez ce dernier sur l'une des poignées de transport (A).

MODE D'EMPLOI

RANGÉZ LA BOUTEILLE DANS UN ENDROIT APPROPRIÉ, CONFORMÉMENT AUX INSTRUCTIONS DE CE GUIDE.

DÉTECTION DES FUITES

Après avoir effectué les raccords, vérifiez tous les joints à l'aide d'une solution savonneuse pour vous assurer qu'ils sont étanches.

1. Fermez toutes les valves et appliquez la solution de détection des fuites (mélange de savon à vaisselle et d'eau à parts égales) à tous les raccords dans lesquels circule du gaz.
2. Ouvrez le robinet de la bouteille

La présence de bulles à un endroit où vous avez appliqué la solution d'eau et de savon indique une fuite de gaz. Si vous détectez ou entendez une fuite, ou si vous sentez une odeur de gaz, fermez le robinet et réparez la fuite ou remplacez la pièce défectueuse.

L'ensemble régulateur et tuyau doit être placé aussi loin que la longueur du tuyau le permet afin que la bouteille de gaz soit à une distance maximale du fumoir, c'est-à-dire au moins 60,96 cm (24 po).

Les bouteilles de propane sont conçues pour être utilisées en position verticale afin de permettre l'utilisation du propane à l'état gazeux.

Si vous n'utilisez pas l'appareil, vous devez fermer le robinet de la bouteille de gaz et débrancher la bouteille.

Il est uniquement permis d'entreposer l'appareil à l'intérieur si la bouteille de gaz est débranchée de l'appareil. Toutefois, les bouteilles doivent être rangées à l'extérieur.

MODE D'EMPLOI

Avant la première utilisation

Retirez tout l'emballage et les courroies de plastique, le cas échéant.

Avant d'utiliser votre fumoir pour la première fois, il est important de l'« apprêter ». Cette étape permet de sceller la peinture et l'intérieur du fumoir afin d'améliorer sa durabilité, son rendement et la qualité du fumage des aliments.

Pour apprêter votre fumoir, il suffit de l'utiliser normalement, mais sans y mettre d'aliments. Veuillez suivre toutes les instructions présentées dans les sections qui suivent.

Placez dans le fumoir une essence de bois et une marinade de votre choix, puis laissez-le fonctionner à basse température (environ 79,44 °C [175 °F]) de 45 à 60 minutes. Attendez qu'il refroidisse et retirez l'eau ainsi que le bois.

Une fois cette étape terminée, le revêtement intérieur sera « apprêté » de façon durable, et vous pourrez commencer à utiliser votre fumoir.

MODE D'EMPLOI

Ajout d'eau

Pour ajouter de l'eau avant le fumage des aliments, il suffit de retirer le récipient pour l'eau et de le remplir (le niveau d'eau doit être légèrement moins élevé que le rebord). Replacez le récipient dans le fumoir. Il est recommandé d'ajouter suffisamment d'eau avant d'utiliser le fumoir. Si, en cours d'utilisation, vous devez ajouter de l'eau ou si vous entendez un sifflement indiquant que le niveau d'eau est trop bas, ouvrez la porte inférieure avec précaution tout en évitant d'inhaler la fumée. Versez de l'eau dans le récipient pour l'eau à l'aide d'un contenant à long bec de type bouilloire, en vous tenant le plus éloigné possible du fumoir. Remplissez le récipient jusqu'à ce que le niveau d'eau soit à 2,54 cm (1 po) sous le rebord.



MISE EN GARDE : Vous NE devez PAS retirer complètement le récipient du support lorsque le fumoir est chaud.

Conseils pour le fumage des aliments

Recouvrez l'intérieur du récipient pour l'eau avec du papier d'aluminium afin de faciliter son nettoyage et de contribuer à prolonger sa durabilité.

Pour que l'ajout d'eau soit plus facile et sécuritaire, utilisez un arrosoir propre muni d'un long bec.

Ajout de bois

Pour ajouter du bois avant d'utiliser le fumoir, remplissez simplement le récipient pour les copeaux de bois avec le type de feuillu que vous aurez choisi. Le choix du type de bois et la quantité utilisée sont entièrement fonction de l'intensité de saveur que vous désirez obtenir. Après avoir rempli le récipient, remettez le couvercle et placez-le dans le fumoir.

Pour ajouter des copeaux de bois pendant l'utilisation du fumoir, nous vous recommandons d'utiliser des pinces de cuisine ou des pinces à longues poignées. Vous pourrez ainsi retirer le couvercle du récipient et placer les copeaux de bois sans avoir à sortir le récipient du fumoir. En effet, il est déconseillé de retirer le récipient pour les copeaux de bois lorsque le fumoir est en fonction.



MISE EN GARDE : Le récipient pour les copeaux de bois et son couvercle deviennent très chauds lorsque le fumoir fonctionne. Par conséquent, évitez de les manipuler. Portez toujours des gants isolants lorsque vous manipulez des pièces du fumoir qui sont chaudes.

Conseils pour donner de la saveur aux aliments

- ï Il est préférable de placer des copeaux de bois de petite taille dans le récipient.
- ï Utilisez des feuillus comme le hickory, le pacanier, le pommier, le cerisier ou le prosopis.
- ï La plupart des arbres à fruits ou à noix dégagent une fumée qui donne une excellente saveur aux aliments.
- ï N'utilisez pas de résineux, par exemple le pin, ou du bois de contreplaqué, puisqu'ils donnent une saveur désagréable aux aliments.

CONSEILS POUR LE FUMAGE DES ALIMENTS

Le fumage et le grillage des aliments sont deux techniques différentes. En général, le fumage est effectué lentement et à une température plus faible que le grillage. La fumée qui se dégage du bois pénètre dans la viande et lui donne le goût de fumée tant apprécié. Le grillage est beaucoup plus rapide et nécessite des températures plus élevées.

Suivez toujours les recommandations du fabricant en ce qui a trait au nettoyage et à l'entretien. Vérifiez la quantité de gaz dans la bouteille. Il est désagréable de manquer de gaz en plein milieu du fumage d'un aliment. Songez à vous procurer une bouteille de propane de rechange.

Voici une liste des essences de bois les plus répandues pour le fumage des aliments ainsi que quelques renseignements sur chacune d'elles.

Essence de bois	Aliment suggéré	Commentaires
Pommier	Toutes les viandes	Saveur douce, sucrée et légèrement fruitée. Chaque espèce de pommier confère aux aliments une saveur légèrement différente. Le bois de pommier produit un effet de brunissement qui rend la nourriture encore plus appétissante.
Amandier	Toutes les viandes	Saveur sucrée et goût naturel de noisette.
Frêne	Poisson et viande rouge	Saveur très douce.
Citronnier	Porc et poulet	Les bois de citronnier et d'oranger confèrent aux aliments une saveur douce, mais fruitée.
Cerisier	Porc et bœuf	Saveur douce et fruitée.
Bois fruitier	Porc, volaille et poisson	Les bois de pêcher, de poirier et de prunier confèrent aux aliments une saveur de fumée douce, sucrée et légèrement fruitée.
Vigne	Volaille, gibier et agneau	Le bois de vigne dégage beaucoup de fumée et brûle longtemps. Il donne aux aliments une saveur acidulée et légèrement fruitée.
Hickory	Porc et bœuf	Le bois de hickory est sans doute le bois le plus recherché pour fumer les aliments. La saveur qu'il produit est très intense; par conséquent, nous vous recommandons d'utiliser une faible quantité de ce bois pour commencer.
Érable	Porc et volaille	Saveur douce et sucrée.
Prosopis	Bœuf, poulet et poisson	Ce bois dégage une chaleur très intense, alors soyez prudent. Tout comme le bois de hickory, ce bois est très apprécié et confère aux aliments une saveur prononcée.
Chêne	Viande rouge, gibier, côtes et poisson	Ce bois produit également beaucoup de fumée. Utilisez-en une faible quantité pour commencer.
Pacancier	Côtes et viande rouge	Ce bois dégage une légère fumée qui donne aux aliments une saveur sucrée et un goût de noisette.

PÉRIODES ET TEMPÉRATURES DE LE FUMAGE DES ALIMENTS

Étant donné que les fumoirs sont tous différents, veuillez noter que les renseignements qui suivent sont présentés uniquement à titre indicatif. De plus, en raison d'autres facteurs comme les conditions météorologiques, le vent, la température, etc., vous remarquerez que la différence de la durée de fumage peut atteindre une heure ou plus.

Avec le temps, vous serez en mesure de savoir si un aliment est prêt de façon visuelle, et non seulement avec la température et la durée de fumage. Vous deviendrez alors un bien meilleur chef.

Aliments à fumer	Température de fumage suggérée	Temps approximatif
Poitrine de bœuf (tranchée ou émincée)	107 °C (225 °F)	1,5 heure par livre
Rôti de porc (tranché ou émincé)	107 °C (225 °F)	1,5 heure par livre
Poulet entier	121 °C (250 °F)	Environ 4 heures
Cuisses de poulet	121 °C (250 °F)	1,5 heure
Quarts de poulet	121 °C (250 °F)	3 heures
Dinde entière 5,44 kg (12 lb)	116 °C (240 °F)	6.5 heures
Cuisse de dinde	121 °C (250 °F)	4 heures
Pain de viande	121 °C (250 °F) à 149 °C (300 °F)	3 heures
Côtes levées	107 °C (225 °F) à 116 °C (240 °F)	6 heures
Petites côtes levées de dos	107 °C (225 °F) à 116 °C (240 °F)	5 heures
Maïs fumé	107 °C (225 °F)	1,5 à 2 heures
Pommes de terre fumées	107 °C (225 °F)	2 à 2,5 heures

MODE D'EMPLOI

- ï Faites confiance à votre goût. Essayez différentes quantités ainsi que divers types ou formes de bois, notamment des copeaux, des copeaux ou des bâtons. Vous pouvez même mélanger plusieurs essences de bois.
- ï Pour produire plus de fumée et éviter une combustion rapide, trempez les copeaux de bois dans un bol d'eau pendant au moins 20 minutes ou enroulez-les dans du papier d'aluminium perforé.
- ï La première heure de fumage est celle qui donne le plus de saveur aux aliments. Il n'est donc pas nécessaire d'ajouter du bois après la première heure à moins que vous désiriez une saveur plus prononcée.

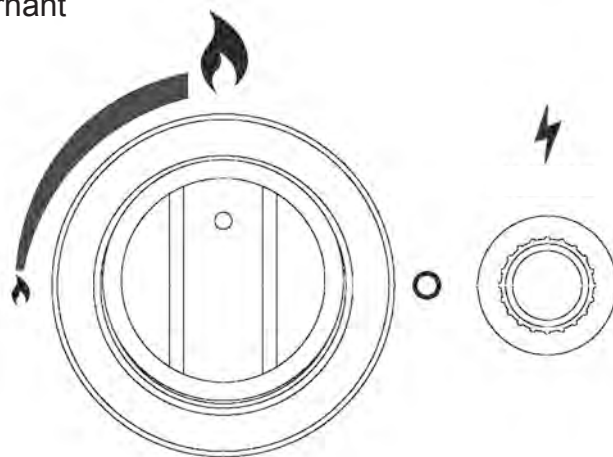
INSTRUCTIONS POUR L'ALLUMAGE

⚠ Avertissement : Le portes du fumoir doit toujours être ouverte lorsque vous tentez d'allumer le brûleur.

⚠ MISE EN GARDE : Si la flamme s'éteint accidentellement pendant l'allumage ou l'utilisation du fumoir, FERMEZ immédiatement le robinet de la bouteille de propane, puis FERMEZ le bouton de commande du brûleur.

Procédure d'allumage avec l'allumeur


1. Vérifiez l'étanchéité des raccords en effectuant le test de la page 39 à base d'eau savonneuse.
2. Ouvrez les deux portes du fumoir et maintenez-la ouverte pendant l'allumage.
3. Vérifiez si le tube du diffuseur et le brûleur ne sont pas obstrués, de même que la position du registre ainsi que la ventilation. Retirez tout corps étranger.
4. Assurez-vous que le bouton de commande du brûleur se trouve à la position « FERMÉ » **O**.
5. Ouvrez le robinet de la bouteille de propane en le tournant dans le sens contraire des aiguilles d'une montre. **Ω**
6. Appuyez sur l'allumeur **⚡** du dispositif de commande pendant une à deux secondes, puis tournez le bouton de commande à la position « ÉLEVÉ » **🔥**, tout en maintenant l'allumeur enfoncé. Le brûleur devrait alors s'allumer.
7. S'il ne s'allume pas dans les cinq secondes, tournez immédiatement le bouton de commande à la position « FERMÉ » **O**. Attendez cinq minutes et reprenez les étapes 6 et 7 décrites ci-dessus.
8. Si le brûleur ne s'allume toujours pas, suivez les instructions de la page 42 concernant l'allumage au moyen d'une allumette.
9. Une fois le brûleur allumé, fermez le portes iafin de permettre à la chaleur de s'accumuler. Vous pouvez ajuster le registre située sur le dessus du fumoir selon vos préférences afin de permettre une ventilation et une combustion adéquates.
NE FERMEZ JAMAIS LE REGISTRE COMPLÈTEMENT.





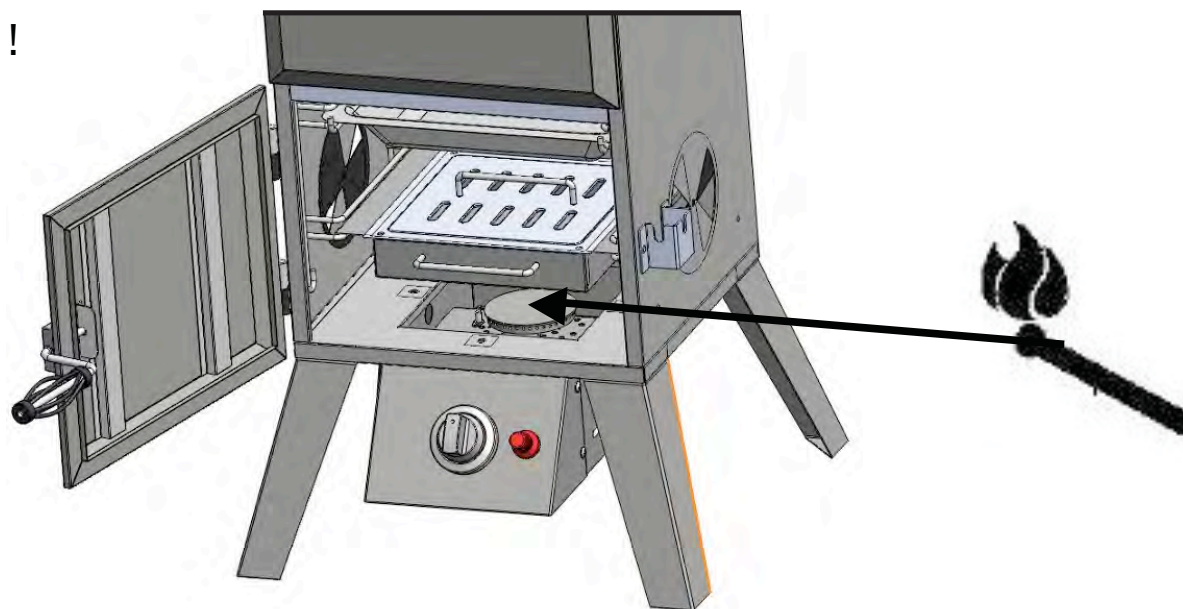
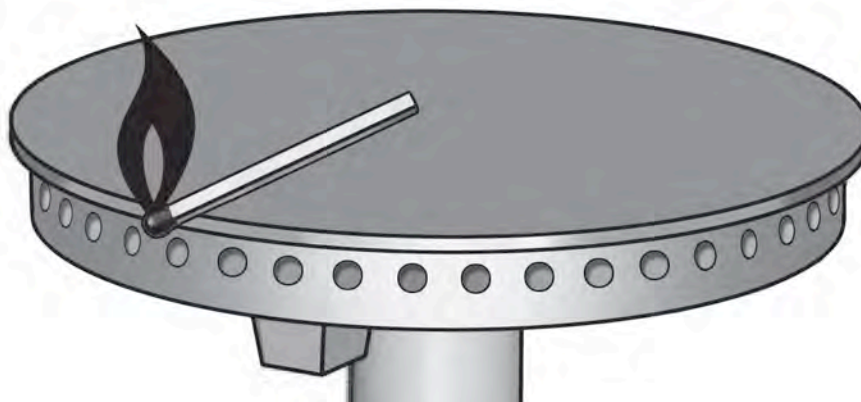
MODE D'EMPLOI

Procédure d'allumage avec une allumette.


Vérifiez que les deux boutons de commande sont tournés à la position OFF avant de commencer la procédure d'allumage avec allumette.

 **Avertissement :** Les portes du fumoir doivent toujours être ouvertes lorsque vous tentez d'allumer le brûleur.

1. Répétez les étapes 1 à 5 de la procédure d'allumage avec l'allumeur (PAGE 43).
2. Ouvrez les portes et placez la flamme d'une allumette près du brûleur, tel qu'illustré ci-dessous. Tournez rapidement le bouton de commande à la position « ÉLEVÉ » . Si le brûleur ne s'allume pas dans les cinq secondes, tournez le bouton de commande à la position « FERMÉ »  et attendez au moins cinq minutes afin de permettre l'évacuation du gaz. Répétez la procédure.




Conseils pour le réglage des registres

 **AVERTISSEMENT** : Les registres sur le corps du fumoir et la tige de réglage de la cheminée peuvent devenir très chauds pendant l'utilisation du fumoir. Portez toujours un gant isolant lorsque vous procédez à des réglages.

- ï Pour améliorer le rendement du fumoir, tournez-le de façon à ce que sa partie frontale ou arrière soit face au vent. Le réglage des registres sera ainsi plus efficace et précis.
- ï Les deux registres sur le corps du fumoir ne doivent jamais être complètement fermés.
- ï L'ouverture de l'amortisseur sur la cheminée contribue à épuiser à la fois la chaleur et la fumée.
- ï La clé d'un fumage réussi consiste à surveiller la jauge de température sur la porte et à ajuster les registres en conséquence.
- ï Vous pouvez utiliser diverses configurations de registres pour ajuster la température plus facilement.

Arrêt du fumoir

 **MISE EN GARDE** : Le fumoir peut devenir très chaud en cours d'utilisation. Ne touchez à aucune partie du fumoir, à l'exception des poignées de porte et du bouton de commande du brûleur. Il peut être nécessaire de porter des gants isolants.

1. Pour éteindre, appuyez sur les boutons de commande du brûleur et tournez-les jusqu'à "OFF". Les deux flammes du brûleur doivent s'éteindre..
2. Fermez la valve de la bouteille de propane en tournant le robinet dans le sens des aiguilles d'une montre ☺ jusqu'à ce qu'il s'arrête.

Respectez tous les avertissements et toutes les consignes de sécurité avant de retirer de la viande du fumoir ou en vue de son rangement. Veuillez lire les procédures de rangement à la page 46 ainsi que les mesures de sécurité et les avertissements importants aux pages 29 à 31.

SÉCURITÉ ET ENTRETIEN APRÈS L'UTILISATION



AVERTISSEMENT

- ï Faites attention lorsque vous soulevez et déplacez le fumoir afin d'éviter les blessures. Deux personnes sont recommandées pour soulever ou déplacer le fumoir.
- ï NE rangez PAS le fumoir à proximité de toute vapeur ou de tout liquide inflammable, notamment de l'essence. Assurez-vous qu'aucune matière ou vapeur inflammable ne se trouve dans la zone autour du fumoir.
- ï NE rangez PAS le fumoir dans un endroit accessible aux enfants ou aux animaux domestiques. Rangez-le dans un endroit sec et protégé. Débranchez la bouteille de propane du fumoir.
- ï AUCUNE activité ne doit être permise autour du fumoir tant que sa température n'a pas refroidi. Il demeure chaud pendant un certain temps après son utilisation.
- ï NE laissez PAS les cendres chaudes sans surveillance jusqu'à ce que le fumoir ait complètement refroidi.
- ï Le fumoir devient extrêmement chaud. Attendez que sa température ait complètement refroidi avant de le manipuler. Si vous devez le manipuler pendant qu'il est encore chaud, portez TOUJOURS des gants de cuisine ou des gants isolants. Laissez le fumoir refroidir avant de retirer et de nettoyer le récipient dans lequel la graisse s'accumule.
- ï Jetez les cendres froides en les emballant dans du papier d'aluminium résistant et en les plaçant dans un contenant non combustible.
- ï Si vous devez jeter les cendres avant qu'elles n'aient complètement refroidi, retirez-les du fumoir, placez-les dans du papier d'aluminium résistant et trempez-les complètement dans l'eau avant de les mettre dans un contenant non combustible.

SOINS GÉNÉRAUX ET ENTRETIEN



MISE EN GARDE : Toutes les procédures d'entretien doivent être réalisées lorsque le fumoir est éteint et froid. L'entretien doit toujours être effectué par un technicien qualifié. Nettoyez le récipient pour l'eau et la grille avec de l'eau savonneuse chaude. Rincez-les à l'eau et séchez-les complètement. Si vous le désirez, vous pouvez recouvrir le récipient et la grille avec de l'huile de cuisson ou utiliser un aérosol de cuisson. Vérifiez et nettoyez fréquemment les tubes du diffuseur et du brûleur pour enlever les insectes et les nids d'insectes. Un tube obstrué peut causer un feu sous le fumoir. Assurez-vous également qu'aucun corps étranger n'entrave le flux d'air de combustion et de ventilation. Pour nettoyer l'intérieur et l'extérieur du fumoir, utilisez simplement un linge humide. L'utilisation du boyau d'arrosage n'est pas recommandée. Éliminez toute trace d'humidité dans le fumoir ou sur celui-ci. Après avoir nettoyé le fumoir, vous pouvez recouvrir l'intérieur avec de l'huile de cuisson ou utiliser un aérosol de cuisson.

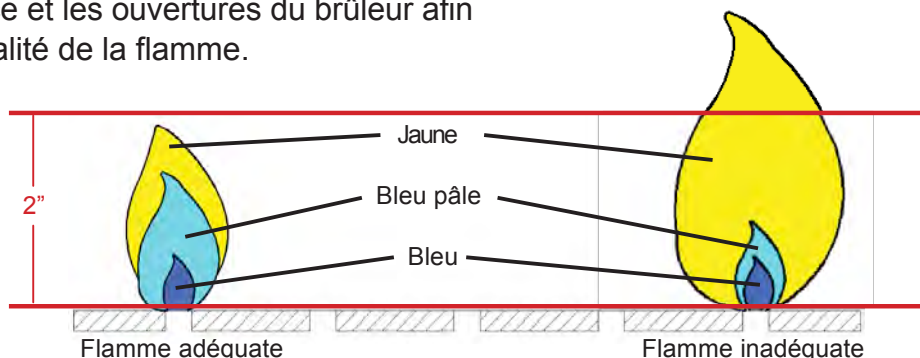
Si vous apercevez de la rouille sur la surface extérieure, enlevez-la avec de la laine d'acier ou une toile d'émeri et utilisez une peinture résistante à la chaleur pour recouvrir cette zone.

SOIN ET ENTRETIEN

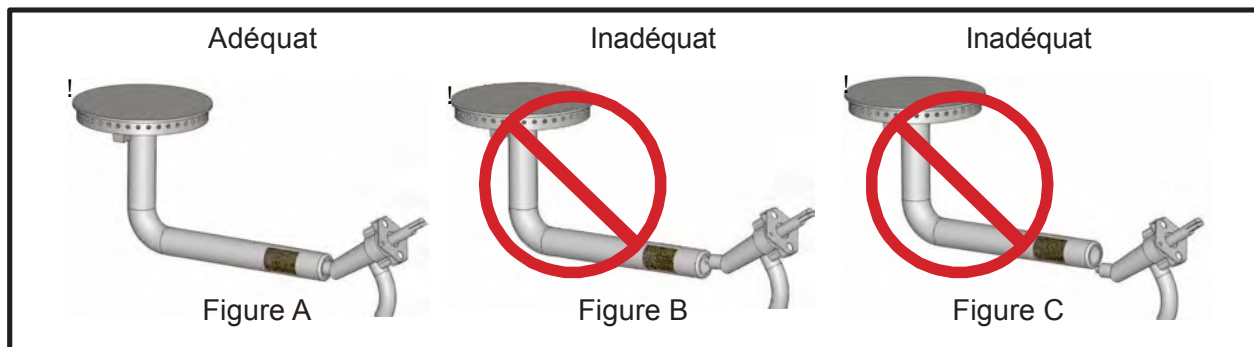
N'appliquez JAMAIS de peinture à l'intérieur du fumoir! Si vous apercevez de la rouille sur la surface intérieure, enlevez-la avec de la laine d'acier ou une toile d'émeri et recouvrez l'endroit avec de l'huile de cuisson ou un aérosol de cuisson afin de prévenir la réapparition de la rouille. Lorsque la bouteille de propane n'est pas raccordée au fumoir, accrochez l'extrémité du tuyau avec le régulateur à la poignée de transport (A) afin d'éviter que la saleté ou un corps étranger n'obstrue le raccord du régulateur.

Enlevez tout débris obstruant les orifices de ventilation de l'endroit où se trouve la bouteille.

Vérifiez l'état des flammes du brûleur au moyen de l'ouverture située du côté gauche du dispositif de commande du brûleur « H ». Une flamme adéquate devrait être bleue, avec une pointe jaune située à une hauteur de 2,54 cm à 5 cm (1 po à 2 po). Si la flamme est irrégulière et principalement jaune, il est possible que des résidus d'huile ou d'aliments se soient accumulés sur le brûleur. Essayez de nettoyer la surface et les ouvertures du brûleur afin d'améliorer la qualité de la flamme.



Un mauvais raccordement du tube du diffuseur à l'ouverture peut également être la cause d'une flamme inadéquate. Fermez le bouton de commande et le robinet de la bouteille et attendez toujours que le fumoir refroidisse avant de nettoyer ou de vérifier l'ensemble. Vérifiez visuellement, à partir du dessous de l'appareil, que l'extrémité du tube de mélange du brûleur est bien raccordée avec l'orifice de la valve de contrôle. Le tube du diffuseur doit recouvrir l'orifice de la valve, et ces deux parties doivent former une ligne droite, comme l'illustre la figure A. Les figures B et C illustrent un mauvais alignement.



⚠ AVERTISSEMENT : Si les directives mentionnées précédemment ne sont pas suivies, une explosion pourrait survenir, risquant de causer des blessures graves ou la mort.

Afin de protéger votre fumoir des conditions météorologiques, recouvrez-le lorsque vous ne l'utilisez pas. Pour obtenir des pièces de rechange ou des accessoires, composez le 1 800 963-0211.

DÉPANNAGE

Si vous avez des questions, veuillez téléphoner au service à la clientèle au 1 877 447-4768, du lundi au vendredi de 8 h 30 h à 16 h 30, HNC.

PROBLÈME	CAUSES POSSIBLES	SOLUTIONS POSSIBLES
Le brûleur ne s'allume pas à l'aide de l'allumeur.	<ol style="list-style-type: none">1. L'électrode de l'allumeur est couverte de graisse ou de résidus.2. Un fil de l'électrode de l'allumeur est mal raccordé ou déconnecté.3. Aucune étincelle n'est produite.4. Le gaz ne circule pas ou la valve de la bouteille est fermée.5. Le gaz est bloqué à l'écrou d'accouplement de la bouteille de propane.	<ol style="list-style-type: none">1. Nettoyez l'électrode de l'allumeur.2. Vérifiez les fils et reconnectez tout fil mal raccordé ou déconnecté.3. Remplacez la pile AAA qui se trouve dans l'allumeur.4. Assurez-vous que la bouteille de propane n'est pas vide ou ouvrez le robinet de la bouteille.5. Fermez le robinet de la bouteille de propane. Débranchez l'écrou d'accouplement de la bouteille de propane, puis rebranchez-le et réessayez.
Le brûleur ne s'allume pas à l'aide d'une allumette.	<ol style="list-style-type: none">1. Le gaz ne circule pas ou sa circulation est entravée.	<ol style="list-style-type: none">1. Vérifiez le niveau de gaz et nettoyez le tube du diffuseur ainsi que le brûleur.
La flamme s'éteint.	<ol style="list-style-type: none">1. Le tuyau d'alimentation en gaz est débranché.2. Le vent est fort ou souffle en rafales.	<ol style="list-style-type: none">1. Rebranchez le tuyau d'alimentation en gaz.2. Mettez le fumoir à l'abri du vent.
La flamme est trop forte.	<ol style="list-style-type: none">1. La température de cuisson est trop élevée.2. Une accumulation de graisse et de résidus s'est produite.3. Les viandes contiennent trop de gras.4. La marinade contient trop d'huile.	<ol style="list-style-type: none">1. Diminuez l'intensité de la flamme.2. Nettoyez les composants.3. Enlevez une partie du gras des viandes avant de les fumer.4. Utilisez une marinade qui ne contient pas d'huile.
La flamme est jaune et laisse des dépôts de suie.	<ol style="list-style-type: none">1. La température de cuisson est trop élevée.2. L'alimentation en gaz est obstruée.3. La ventilation est fermée. Les registres sont fermés.	<ol style="list-style-type: none">1. Diminuez l'intensité de la flamme.2. Vérifiez et nettoyez le tube du diffuseur ainsi que le brûleur.3. Ajustez la ventilation et les registres en conséquence.

GARANTIE

La garantie de ce fumoir au gaz vertical couvre les pièces endommagées ou brisées au moment de l'achat. Le brûleur en laiton fondu est garanti pour une période de trois (5) ans. Toutes les autres pièces sont couvertes par une garantie limitée de un (1) an, à l'exception du récipient pour l'eau, qui est garanti contre tout défaut de matériaux pour une période de 90 jours. La peinture est garantie contre tout défaut, à l'exception de la rouille, qui peut apparaître après une utilisation répétée, pour une période de 90 jours.

La garantie ne couvre pas les dommages ou les problèmes liés à une négligence, un usage abusif ou aux modifications apportées à l'appareil. La garantie ne couvre pas les coûts de main-d'œuvre.

Toutes les pièces couvertes par la garantie seront expédiées sans frais selon la méthode choisie par GHP Group Inc. (envoi terrestre par US Mail ou Parcel Post **UNIQUEMENT**). Tout montant additionnel (par exemple livraison le lendemain, le surlendemain, etc.) relève de la responsabilité du consommateur.

Toutes les réclamations au titre de la garantie ne concernent que l'acheteur initial du produit et nécessitent une preuve d'achat qui indique la date d'achat. Ne retournez aucune pièce à l'adresse de GHP sans avoir obtenu un numéro d'autorisation de retour de notre service à la clientèle. Vous pouvez appeler sans frais notre service à la clientèle 1 877 447-4768, du lundi au vendredi de 8 h 30 h à 16 h 30, HNC.

Certains États ou certaines provinces ne permettent pas une limitation de la durée de la garantie implicite ou une exclusion ou une limitation des dommages accidentels ou consécutifs, de sorte que les limitations ou exclusions ci-dessus pourraient ne pas s'appliquer à vous. Cette garantie vous confère des droits précis. Il est possible que vous disposiez également d'autres droits, qui varient d'un État ou d'une province à l'autre.

GHP Group Inc.
6440 W. Howard St.
Niles, IL USA
60714-3302

Nom de l'article : FUMOIR VERTICAL AU GAZ
N° de modèle : DGW1904BDP-D
BTU Mesurés (par brûleur) : 11,000 BTU/Hr

LISTE DES PIÈCES DE RECHANGE

Pour obtenir des pièces de rechange, communiquez avec notre service à la clientèle au 1 877 447-4768, du lundi au vendredi de 8 h 30 h à 16 h 30, HNC.

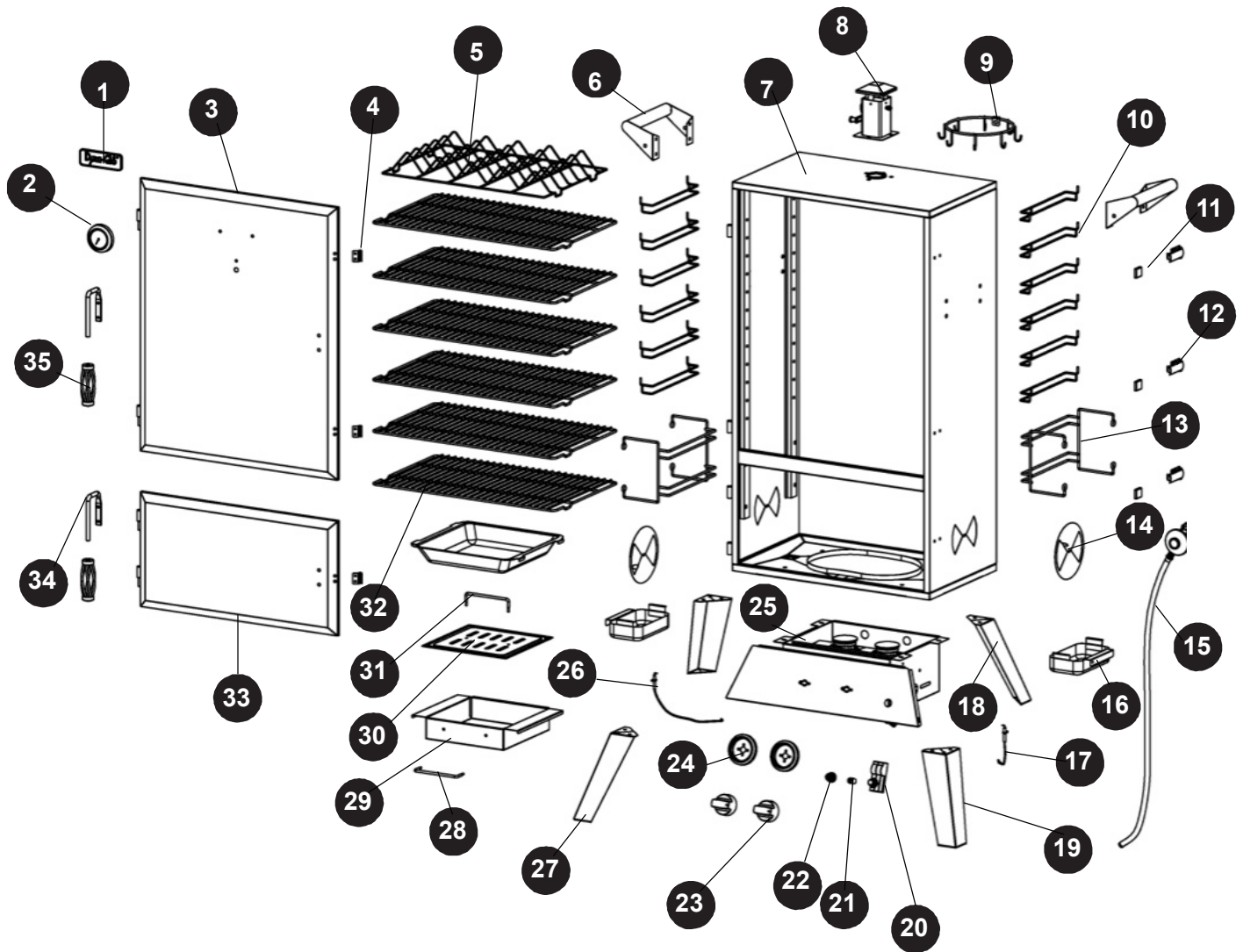
PIÈCE	DESCRIPTION	N° DE PIÈCE
1	Logo plaque - DynaGlo*	211-02002
2	Indicateur de température	211-02005
3	Porte supérieure	70-01-171
4	Porte Loquet	70-01-156
5	Porte-côtes	70-01-157
6	Poignée de levage	301-01010-00
7	Corps fumeur	70-01-172
8	Pile de fumée	312-02009-00
9	Crochets de saucisse	70-01-159
10	Support de la grille de cuisson	302-01030-00
11	Poignée du loquet de la porte	70-01-160
12	Loquet de la porte	70-01-161
13	Appui de support	70-01-162
14	Côté voile - à gauche ou à droite	301-01001-04
15	Ensemble de la réglementation	70-02-102
16	Coupe de la graisse	70-01-163
17	Électrode d'allumage & fil d'allumage - Court	70-03-100
18	Patte arrière (gauche & droite)	301-01016-00
19	Patte avant	70-01-164
20	Bouton d'allumage à pression (capuchon uniquement)	301-01015-03

PIÈCE	DESCRIPTION	N° DE PIÈCE
21	Ressort du capuchon d'allumage	301-01015-05
22	Allumage électronique capuchon	301-01015-06
23	Bouton de contrôle	301-01015-01
24	Bézel du Bouton de commande*	301-01015-02
25	Brûleur et l'unité de commande	70-01-165
26	Électrode d'allumage & fil d'allumage - Long	70-03-101
27	Pied avant - à gauche	70-01-166
28	Poignée de la boîte de copeaux de bois ou du couvercle de la boîte de copeaux de bois*	301-01028-02
29	Copeaux de bois boîte	301-01028-00
30	Boîte de navire en bois couvercle	301-01029-00
31	Bol d'eau	301-02017-00
32	Grille de cuisson	70-01-167
33	Porte inférieure	70-01-168
34	Poignée de porte poignée	70-01-169
35	Porte base de la poignée	70-01-170
36	Quincaillerie paquet	70-09-108
37	Propriétaires / Mode d'emploi	70-10-114

*Incluse matériel

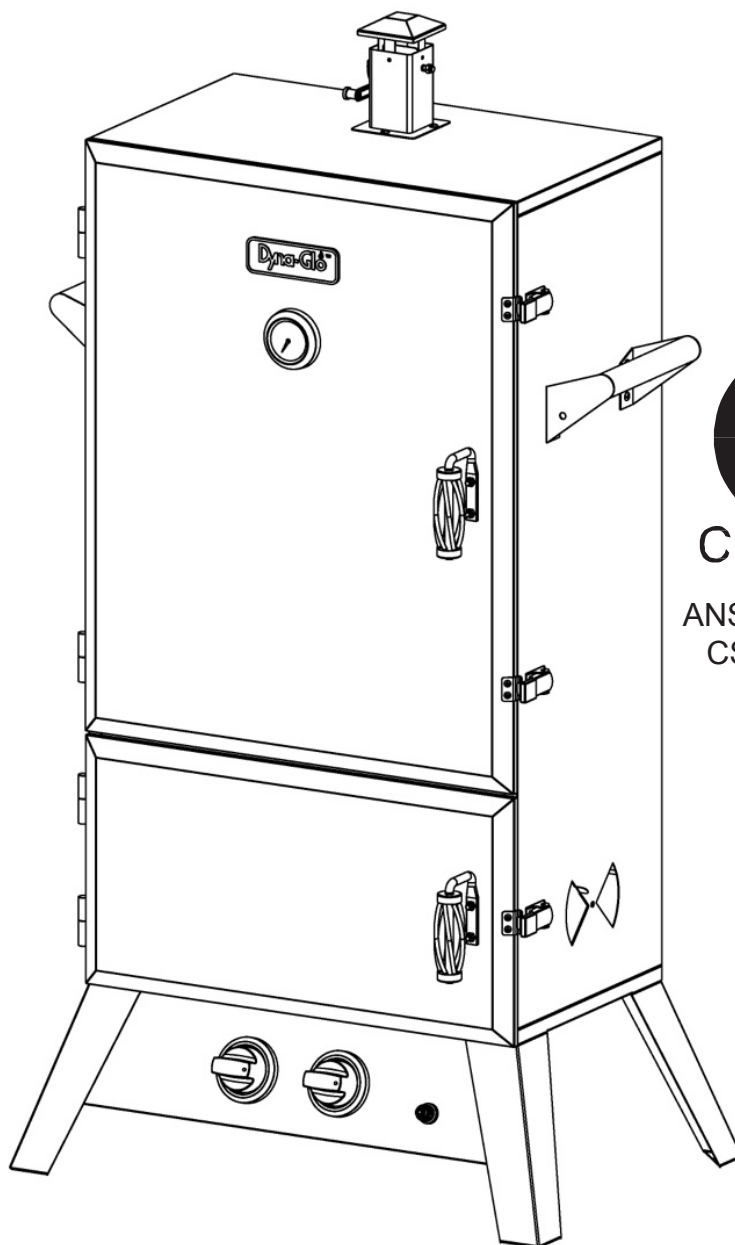
LISTE DES PIÈCES DE RECHANGE

Pour obtenir des pièces de rechange, communiquez avec notre service à la clientèle au 1 877 447-4768, du lundi au vendredi de 8 h 30 h à 16 h 30, HNC.



Dyna-Glo® AHUMADOR DE GAS VERTICAL

MODELO #DGW1904BDP-D



C US

ANS Z21.89-2013
CSA 1.18-2013

Adjunte su recibo aquí

Número de serie _____ Fecha de compra _____



¿Preguntas, problemas, piezas faltantes? Antes de volver a la tienda, llame a nuestro Departamento de Servicio al Cliente al 1-877-447-4768 de lunes a viernes, de 8:30 a.m. a 4:30 p.m. hora estándar del Central.



NO TIENE QUE REGRESAR A LA TIENDA

- ¿Tiene preguntas respecto al ensamblaje?
- ¿Necesita información sobre las piezas?
- ¿Se encuentra el producto bajo garantía del fabricante?

Llame gratis al: 1-877-447-4768
8:30 a.m. – 4:30 pm Hora del Centro, de lunes a viernes

Conserve este manual del usuario y prueba de compra para referencia futura

Para ayudarnos a asistirle

Llene la información siguiente:

Fecha de compra

Lugar de compra

Número de modelo

Número de serie
del producto

EL NÚMERO DE MODELO Y DE SERIE SE ENCUENTRAN
EN LA ETIQUETA DE CLASIFICACIÓN DE SU PARRILLA.

ÍNDICE

Información de seguridad	68
Contenido del paquete	61
Aditamentos	62
Preparación	62
Instrucciones de ensamblaje	63
Instrucciones de funcionamiento	68
Cuidado y mantenimiento	75
Solución de problemas	77
Garantía.....	78
Lista de piezas de repuesto	79

Ensamblador/Instalador: Este manual contiene información importante necesaria para el ensamblaje correcto y el uso seguro del electrodoméstico. Lea y siga todas las advertencias e instrucciones antes de ensamblar y utilizar este electrodoméstico. **Entregue estas instrucciones al consumidor.**

Consumidor/Usuario: Siga todas las advertencias e instrucciones al utilizar este electrodoméstico. **Guarde estas instrucciones para referencia futura.**



Si percibe olor a gas:

1. Cierre el suministro de gas hacia el electrodoméstico.
2. Apague cualquier llama directa.



consultar un incendio o una
lesiones personales o la

⚠ PELIGRO

1. Nunca use este electrodoméstico sin supervisión.
2. Nunca use este electrodoméstico a menos de 3 metros (10 pies) de estructura alguna, material combustible u otro tanque de gas.
3. Nunca use este electrodoméstico a menos de 7,5 metros (25 pies) de líquidos inflamables.
4. No permita nunca que el aceite o la grasa se calienten por sobre los 200 °C o 400 °F, si la temperatura excede los 200 °C (400 °F) o si el aceite comienza a humear, APAGUE el quemador o el suministro de gas inmediatamente.
5. Los líquidos calientes mantienen la temperatura de escaldadura por mucho tiempo después de haber terminado el proceso de cocción. Nunca toque un accesorio de cocina hasta que el líquido no se haya enfriado a 45 °C (115 °F) o menos.
6. Si ocurre un incendio, manténgase alejado del electrodoméstico y llame de inmediato al departamento de bomberos. No utilice agua para intentar extinguir un fuego provocado por aceite o grasa.



AVERTENCIA: El incumplimiento de estas instrucciones puede resultar un incendio o una explosión que podría causar la propiedad daños, lesiones personales o la muerte.



INFORMACIÓN DE SEGURIDAD

Lea y siga todas las advertencias e instrucciones antes de ensamblar y utilizar este producto. Si usted tiene alguna pregunta sobre el producto, llame a nuestro Departamento de Servicio al Cliente al 1-877-447-4768 de lunes a viernes, de 8:30 a.m. a 4:30 p.m. hora estándar del Central.

PROPUESTA 65 DE CALIFORNIA

Los combustibles que se usan en electrodomésticos de combustión a gas o petróleo y los productos de la incineración de dichos combustibles contienen sustancias químicas reconocidas por el estado de California como causantes de cáncer, defectos congénitos u otros daños en el aparato reproductivo. Este producto contiene sustancias químicas, incluido plomo y compuestos de plomo, reconocidas por el estado de California como causantes de cáncer, defectos congénitos u otros daños en el aparato reproductivo. **Lávese las manos después de manipularlo.**

- ï NO use este producto para otro propósito que no sea el especificado. NO está destinado a usos comerciales. NO está diseñado para instalarse o usarse en vehículos de recreación o botes.
- ï Siempre tenga a mano un extintor de incendios cerca de este electrodoméstico.
- ï Este electrodoméstico es sólo para uso en exteriores en espacios bien ventilados. NO use en edificios, garajes ni otras áreas cerradas, o bajo techo.
- ï Debe haber un espacio de separación mínimo de 92 cm (36 pulgadas) entre los materiales combustibles y el frente, los lados y la parte posterior de la unidad.
- ï El tanque debe estar a 610 mm (24 pulgadas) del electrodoméstico como mínimo.
- ï NO obstruya el flujo de aire de combustión y/o ventilación del electrodoméstico.
- ï Cuando cocine, el ahumador debe estar sobre una superficie nivelada, estable, de un material que no sea combustible en un área sin este tipo de materiales.
- ï Se debe tener cuidado de proteger el suministro de combustible de daños ya sea de peatones o tráfico de vehículos.
- ï Limpie e inspeccione la manguera antes de cada uso del electrodoméstico. Si hay evidencia de abrasión, desgaste, cortes o fugas, debe reemplazar la manguera antes de utilizar el electrodoméstico. La manguera de reemplazo debe ser la especificada por el fabricante.
- ï Antes de cada uso, quite las hojas secas o desechos que pueda haber debajo del electrodoméstico.
- ï Almacene este electrodoméstico en un lugar seco y protegido.
- ï El consumo de alcohol, medicamentos recetados o medicamentos sin receta puede disminuir la capacidad del usuario para armar o utilizar este electrodoméstico de manera segura.
- ï Deje que el ahumador se enfríe a 45 °C (115 °F) antes de moverlo o almacenarlo. Tenga cuidado al levantar o mover el electrodoméstico para evitar dolores o lesiones de espalda. NO mueva el electrodoméstico cuando está en funcionamiento.
- ï Siempre cuelgue el regulador sobre las manijas de levantamiento cuando no esté en uso o desconectado del tanque de gas propano. NO permita que la manguera de combustible toque las superficies calientes.
- ï NO almacene y utilice este electrodoméstico cerca de tanques de gasolina u otros líquidos combustibles o en lugares donde puedan existir vapores inflamables.
- ï NO use leña con este electrodoméstico como un calentador.
- ï NO deje el electrodoméstico sin supervisión cuando está usándose. Mantenga a los niños y las mascotas alejados del electrodoméstico en todo momento.



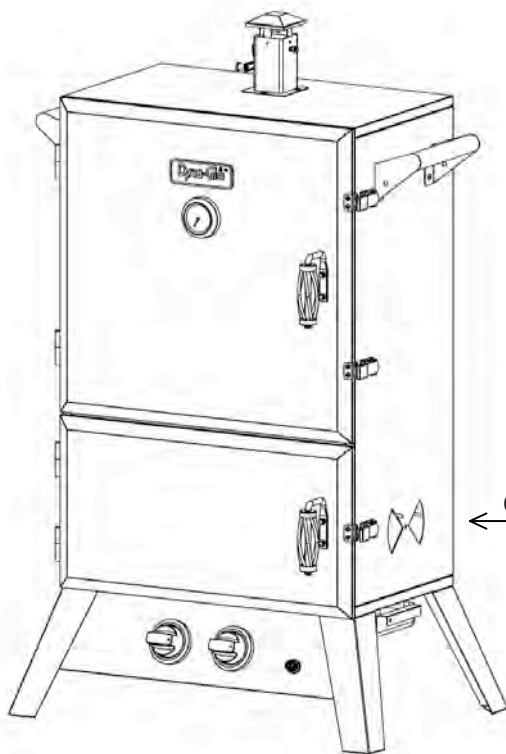
INFORMACIÓN DE SEGURIDAD

- ï NUNCA cierre la campana por completo mientras cocina.
- ï Si debe desechar las cenizas en un tiempo menor al requerido para que se enfríen por completo, retírelas del electrodoméstico, guárdelas en un papel de aluminio para trabajo pesado y sumérlas completamente en agua antes de arrojarlas en un contenedor no inflamable.
- ï Este electrodoméstico estará caliente durante y después del uso. Utilice guantes o mitones para horno aislantes para protegerse de superficies calientes o salpicaduras cuando cocina líquidos.
- ï Asegúrese que el orificio de la válvula de control coincida por completo con el tubo mezclador del quemador según observa. Consulte la sección de mantenimiento.
- ï Tenga precaución cuando abra la puerta del ahumador cuando está en uso. Mantenga manos, cara y cuerpo alejados del vapor caliente o las llamaradas. NO inhale el humo.
- ï NO use ropas sueltas durante el uso del ahumador. Recójase el cabello largo durante el uso del ahumador. SIEMPRE use zapatos que cubran los pies completamente durante el uso del ahumador.
- ï Asegúrese mediante observación visual de que el orificio de cada válvula de control se acople correctamente con el tubo de mezcla del quemador. Por favor consulte la sección de mantenimiento.
- ï Tenga precaución al abrir las puertas del quemador mientras esté funcionando. Mantenga las manos, la cara y el cuerpo alejados del vapor caliente o de brotes de combustión. NO inhale el humo.
- ï NUNCA use el ahumador sin agua en la taza para agua. NUNCA permita que el agua se evapore por completo. Revise el nivel de agua como mínimo cada 2 horas. Si se oye un sonido de crujido indicará que el nivel de agua es bajo. Siga las instrucciones en este manual para agregar agua cuando está en funcionamiento (consulte la página 67).
- ï Cuando utilice madera aromática, agregue una cantidad suficiente antes del uso para evitar agregar madera cuando esté en funcionamiento. Si agrega madera durante el uso, se puede salpicar agua caliente y provocar una lesión grave.
- ï No se recomienda el uso de accesorios no destinados para este ahumador y puede causar lesiones o daños a la propiedad.
- ï Un tanque de gas propano que no esté conectado y en uso no debe almacenarse cerca del ahumador ni de ningún otro electrodoméstico. NO almacene tanques de gas propano de reserva a una distancia de 3,05 m (10 pies) del ahumador. Los tanques de gas propano se deben almacenar en exteriores y fuera del alcance de los niños. NO almacene los tanques de gas propano en edificios, garajes u otras áreas cerradas.
- ï NO almacene los tanques de gas propano en interiores o encima del ahumador. El almacenaje incorrecto de los tanques puede causar explosiones, incendios y/o lesiones personales. Los tanques deben almacenarse en el exterior, fuera del alcance de los niños, y no en edificios, garajes u otras áreas cerradas.
- ï Mientras el ahumador no está en uso, cierre el gas desde el tanque de suministro.
- ï Los gases propanos son más pesados que el aire, se suelen juntar y acumular en áreas bajas, que son de combustión fácil y altamente inflamables. Se debe prestar cuidado y atención apropiados al manipular estos combustibles.
- ï Es necesario apagar el ahumador y cerrar las válvulas de suministro (en tuberías y tanques de combustible) si se detecta olor de gas no quemado. No intente usar el electrodoméstico antes de que se arreglen las fugas de gas y/o se explique la fuente del olor de gas sin quemar.

! INFORMACIÓN DE SEGURIDAD

- No utilice el ahumador si el quemador no se enciende o no permanece encendido. En estas condiciones, deberá apagar el gas y desconectar el tanque de combustible.
- Evite el uso con viento fuerte, puede causar el apagado del quemador o un aumento peligroso del nivel de llamaradas. Si al cambiar de lugar el electrodoméstico no mejora el funcionamiento en estas condiciones, deberá apagar el electrodoméstico.
- Instale el ahumador con el conjunto de manguera/regulador extendido al largo total de la manguera (a 61 cm [24 pulgadas] mín.) del electrodoméstico. Si se configura de este modo, la ubicación permite la distancia máxima del tanque al ahumador. Cuando use el ahumador, el conjunto manguera/regulador y el tanque de gas debe estar perpendicular a la dirección del viento. Si coloca el tanque más cerca de 61 cm (24 pulgadas) del ahumador, éste se puede sobrecalentar y producir liberación de propano por las aberturas de descarga y producir un incendio o la explosión del tanque.

NOTA: La instalación debe confirmar con los códigos locales o, en ausencia de códigos locales, ya sea con el National Fuel Gas Code, ANSI Z223.1/NFPA 54, Natural Gas and Propane Installation Code, CSA B149.1, o Propane Storage and Handling Code, B149.2, o el Standard for Recreational Vehicles, ANSI A 119.2/ NFPA 1192, y CSA Z240 RV Series, Recreational Vehicle Code, según corresponda.



! ADVERTENCIA:

La manguera a la conexión del tanque crea un potencial viaje de peligro para los usuarios y peatones - tenga cuidado. No permitir o causar que el tanque de gas o un aparato hasta la punta.



(No se incluye el tanque).

El encendido electrónico requiere una batería alcalina "AAA", que es included.

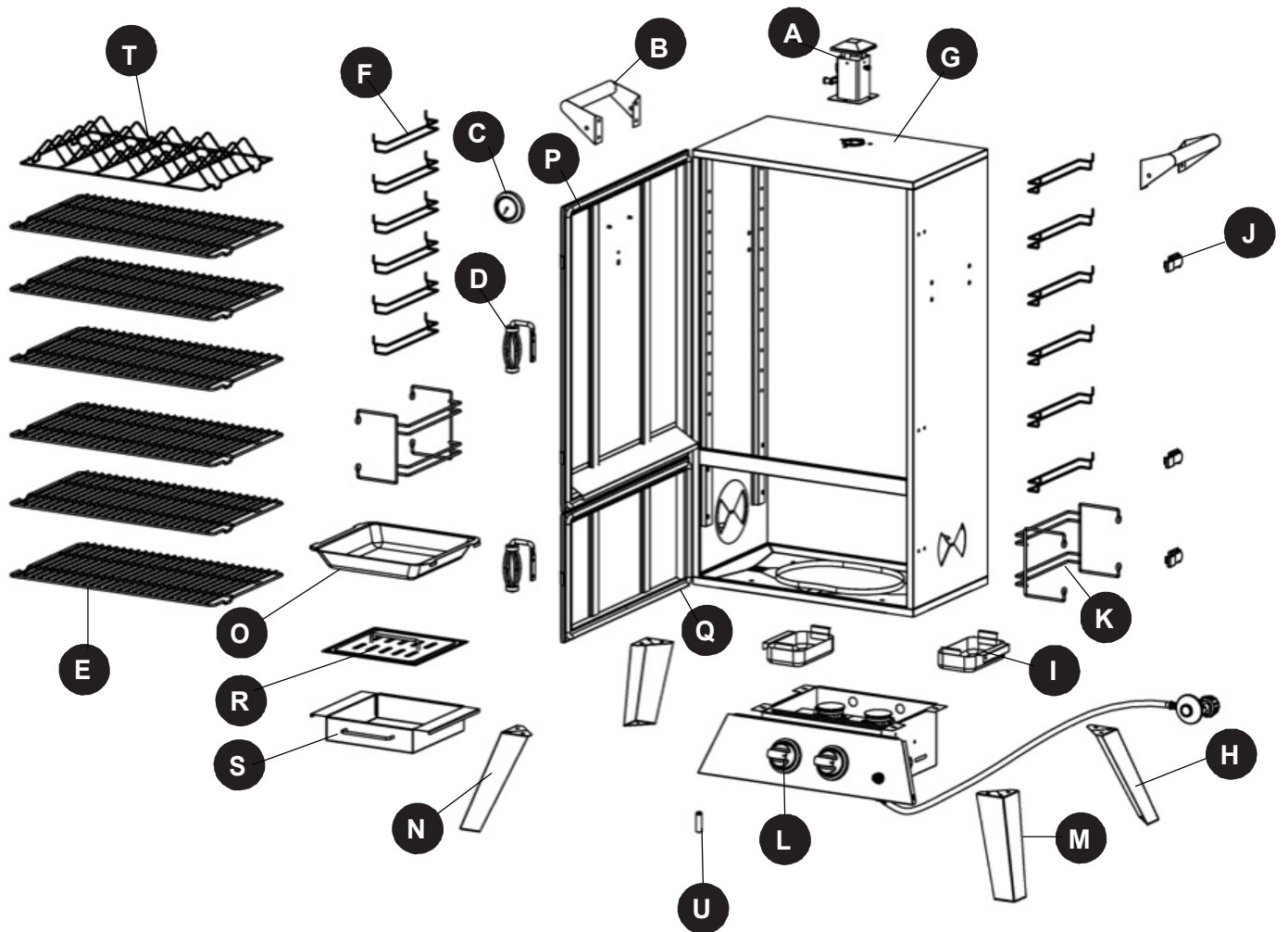
! AVERTENCIA

NO mezcle baterías nuevas y usadas.

NO mezcle baterías alcalinas, baterías estándar (carbón-zinc) o recargables (níquel-cadmio).

NO tire las baterías al fuego. La eliminación inadecuada puede causar fugas en las baterías o explote.

CONTENIDO DEL PAQUETE

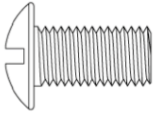


PIEZA	DESCRIPCIÓN	CANTIDAD
A	Humo Asamblea Pila	1
B	Manija de elevación	2
C	Indicador de temperatura	1
D	Manija de la puerta	2
E	Parrilla de cocción	6
F	Soporte la rejilla de cocción	12
G	Fumador cuerpo	1
H	Pata trasera	2
I	Taza grasa	2
J	Cierre de puerta	3
K	Soporte de apoyo	2

PIEZA	DESCRIPCIÓN	CANTIDAD
L	Quemador y unidad de control	1
M	Pata delantera - derecha	1
N	Pata delantera - izquierda	1
O	El depósito de agua	1
P	Puerta superior	1
Q	Puerta inferior	1
R	Madera depósito de la tapa	1
S	Depósito de desechos madera	1
T	Estante de costilla	1
U	Batería	1

ADITAMENTOS (se muestran en tamaño real)

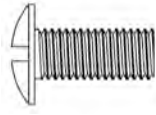
AA



Tornillo de
M6x12

Cant. 42

BB



Tornillo
M4x10

Cant. 6

CC



M6
Tuerca

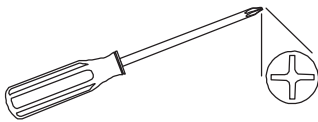
Cant. 4

PREPARACIÓN

Antes de intentar ensamblar o utilizar la unidad, compare el contenido de la caja con el diagrama y la lista de partes a continuación. Si hay piezas faltantes o dañadas, no intente ensamblar este producto. Póngase en contacto con el Departamento de Servicio al Cliente para obtener piezas de repuesto.

Tiempo estimado de ensamblaje: 25 minutos

Herramientas necesarias (no se incluyen): Destornillador Phillips, llave inglesa y pinzas.

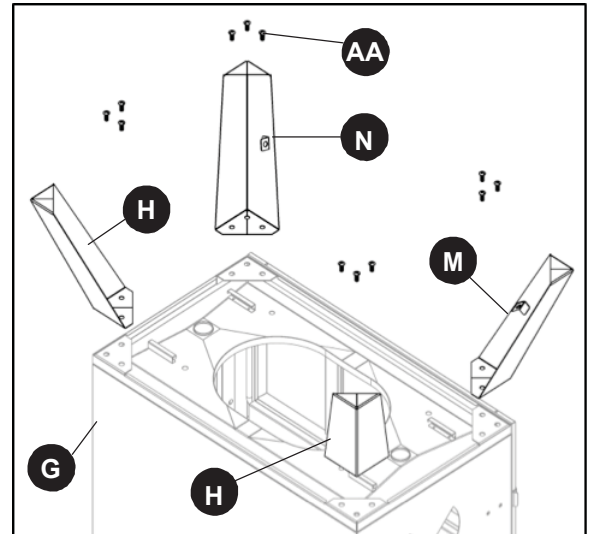
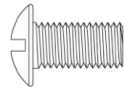


INSTRUCCIONES DE ENSAMBLAJE

1. **PRECAUCIÓN:** Quite las puertas superior (P) e inferior (Q) antes de comenzar el montaje. Fije la pata trasera (H) & la pata delantera derecha (M) & la pata delantera izquierda (N) al cuerpo del ahumador (G) mediante doce tornillos M6x12 (AA).

Aditamentos utilizados

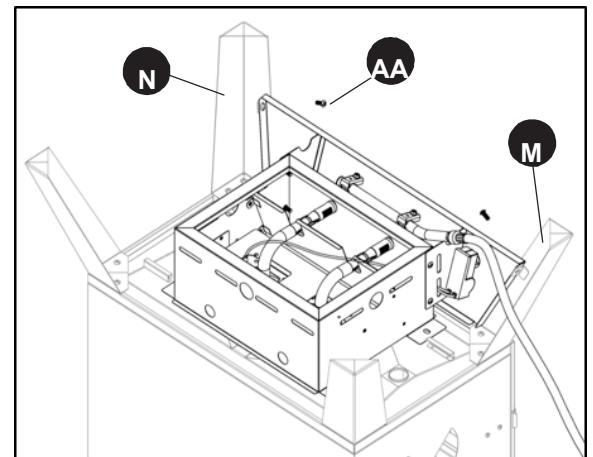
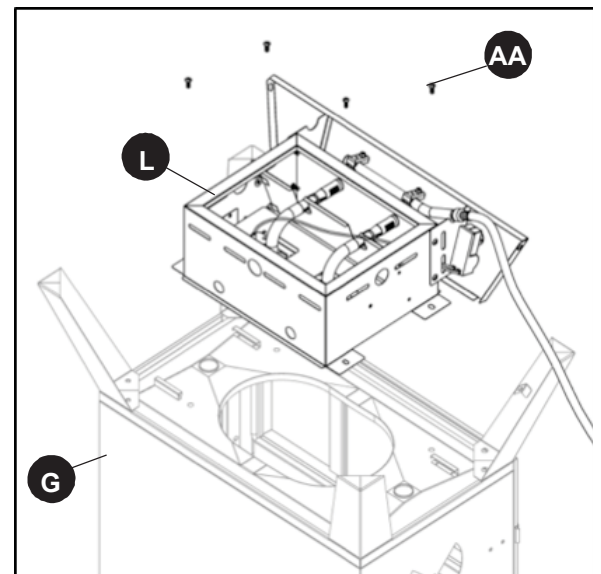
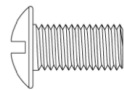
AA Tornillo de M6x12 x12



2. Coloque boca abajo el quemador y la unidad de control (L) e instálelos en la parte inferior del cuerpo del ahumador (G). Alinee los seis orificios de montaje tanto del quemador como de la unidad de control (L) con los orificios del cuerpo del ahumador (G). Asegure el todo con seis tornillos M6x12 (AA). Apriete todos los tornillos. Nota: La perilla de control debe estar en el mismo lado que la puerta. Verifique que el quemador esté instalado correctamente en el orificio antes de acoplar el quemador y la unidad de control (L).

Aditamentos utilizados

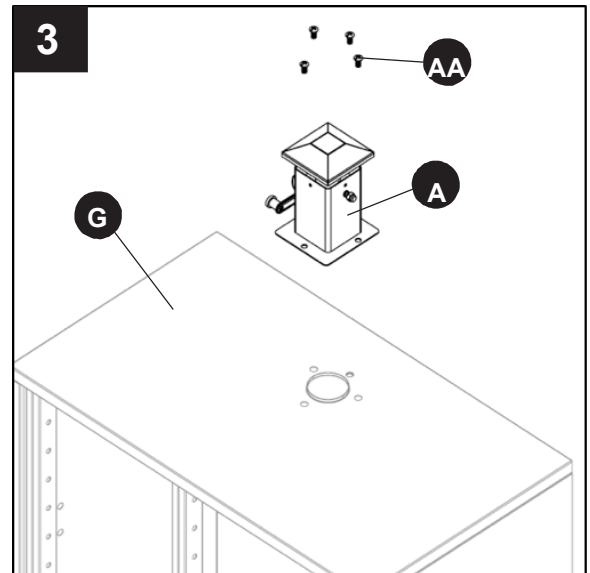
AA Tornillo de M6x12 x6



INSTRUCCIONES DE ENSAMBLAJE

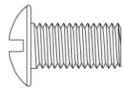
3. PRECAUCIÓN: Esta unidad es pesada! No intente este paso sin ayuda!

Vuelva a colocar las puertas superior (P) e inferior (Q) en las bisagras del cuerpo del ahumador (G) y cierre las puertas. Coloque la chimenea cuadrada (A) con el brazo de control hacia la izquierda como se muestra. Utilizando 4 tornillos (AA), acople la chimenea cuadrada (A) a la parte superior del cuerpo del ahumador (G). Apriete firmemente con un destornillador de estrella.

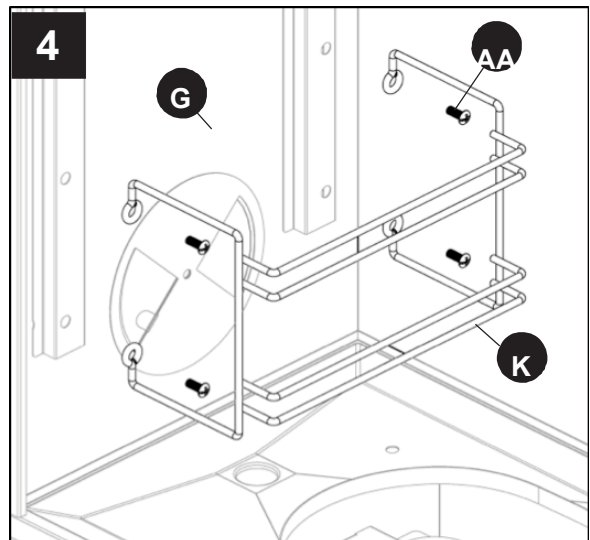


Aditamentos utilizados

AA Tornillo de M6x12 x4

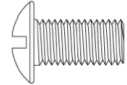


4. Fije el apoyo de soporte (K) al cuerpo del ahumador (G) utilizando cuatro tornillos M6x12 (CC). Repita para el otro apoyo de soporte (K).



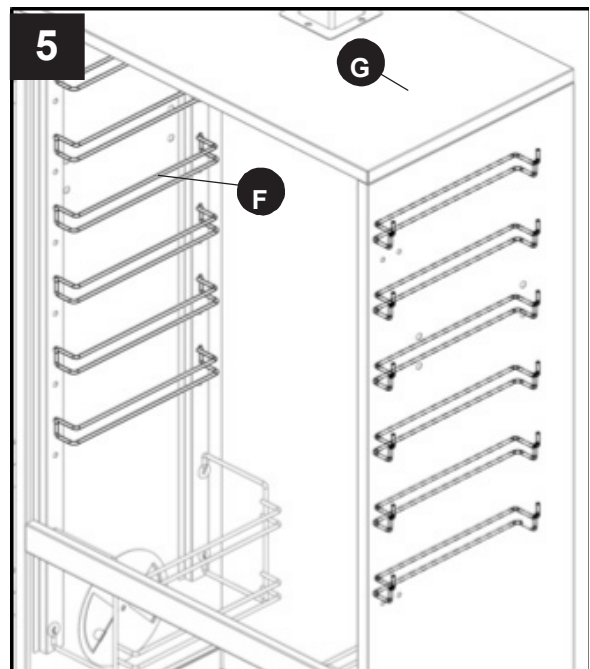
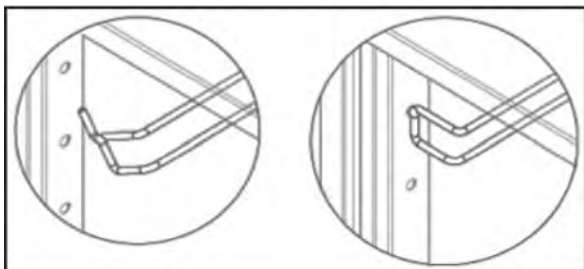
Aditamentos utilizados

AA Tornillo de M6x12 x8



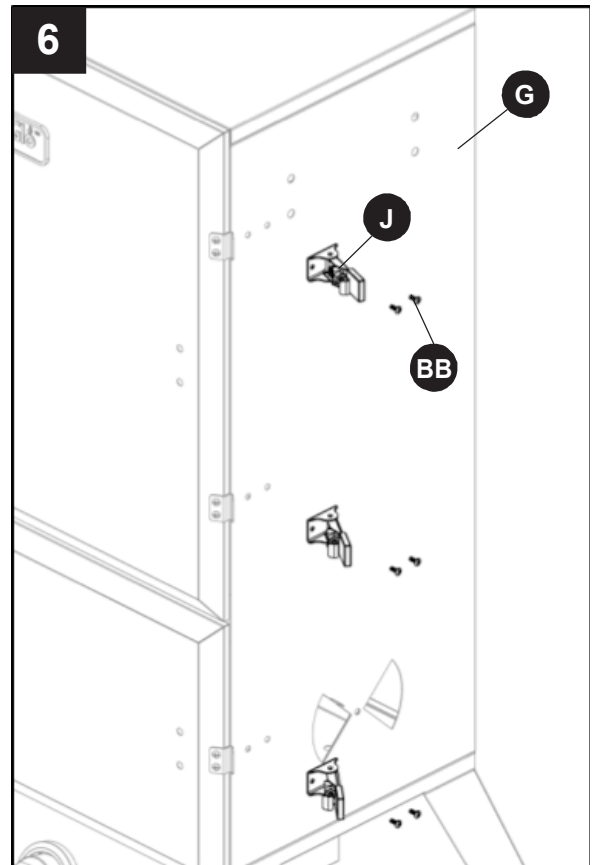
5. Inserte los soportes de la parrilla de cocción (F) en los correspondientes agujeros en el estante de la plataforma interior el cuerpo del ahumador (G) a partir de abajo hacia arriba.

NOTA: Hay 12 posiciones posibles para instalar la parrilla de cocción de acuerdo con la necesidad del usuario.

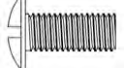


INSTRUCCIONES DE ENSAMBLAJE

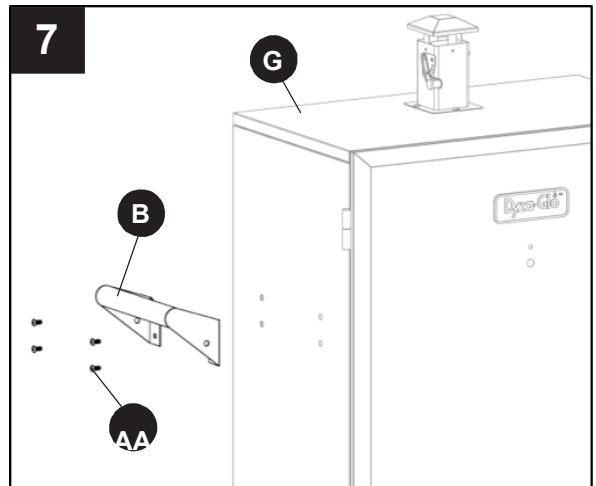
6. Adjuntar pestillo de la puerta (J) al cuerpo del ahumador (G) utilizando dos tornillos M4x10 (CC). Repita para el otro pestillo de la puerta (J).



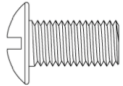
Aditamentos utilizados

BB Tornillo de M4x10  x6

7. Coloque la manija de elevación (B) al fumador cuerpo-izquierda (G) utilizando cuatro tornillo M6x12 (AA). Repita del otro lado.



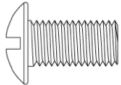

Aditamentos utilizados

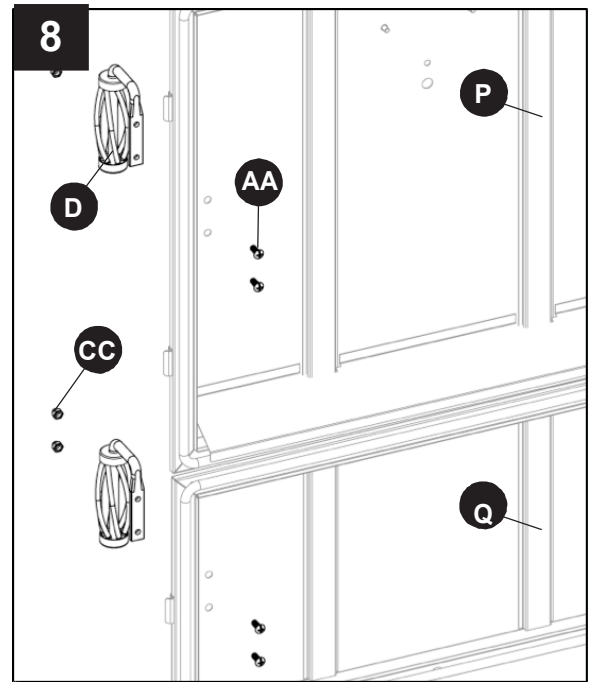
AA Tornillo de M6x12  x8

INSTRUCCIONES DE ENSAMBLAJE

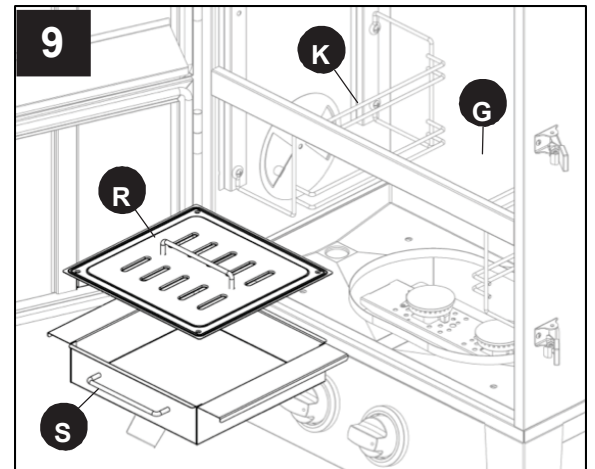
8. Acople la manija de la puerta (D) a la puerta superior (P) utilizando dos tornillos M6x12 (AA) y dos tuercas M6 (CC). Repita el procedimiento para la puerta inferior (Q).

Aditamentos utilizados

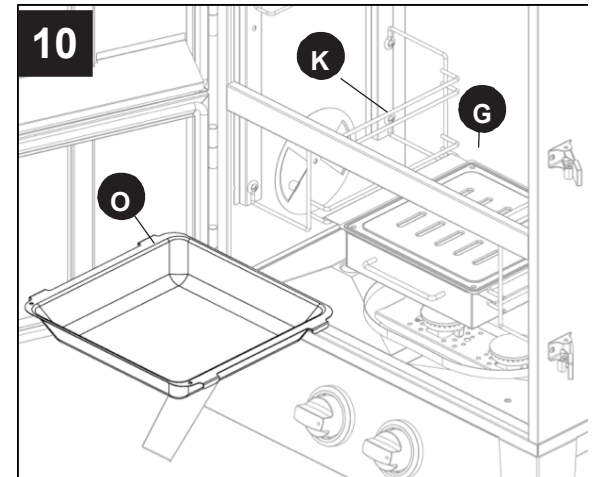
AA	Tornillo de M6x12		x4
CC	M6 Tuerca		x4



9. Coloque la tapa del depósito de astillas de madera (R) directamente sobre el depósito de astillas de madera (S) y deslice el depósito de astillas de madera sobre el apoyo de soporte inferior (K) situado en el interior del cuerpo del ahumador (G).

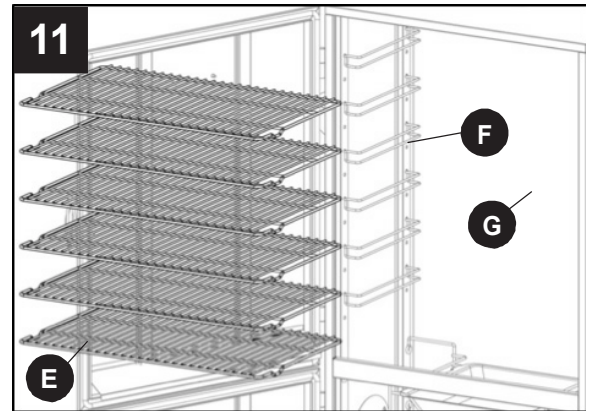


10. Deslice el recipiente de agua (O) sobre el apoyo de soporte superior (K) dentro del cuerpo del ahumador (G).



INSTRUCCIONES DE ENSAMBLAJE

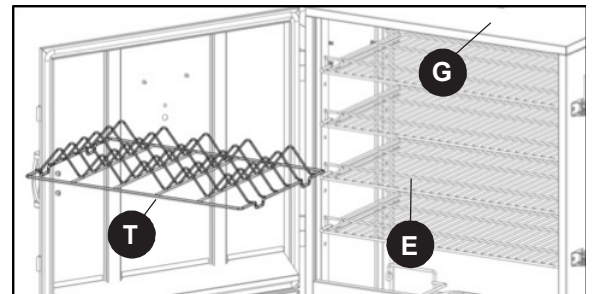
11. Deslice las rejillas de cocción (E) a la parrilla soportes (F) en el interior del cuerpo del ahumador (G).



Instalación del rack Costilla (Opcional)

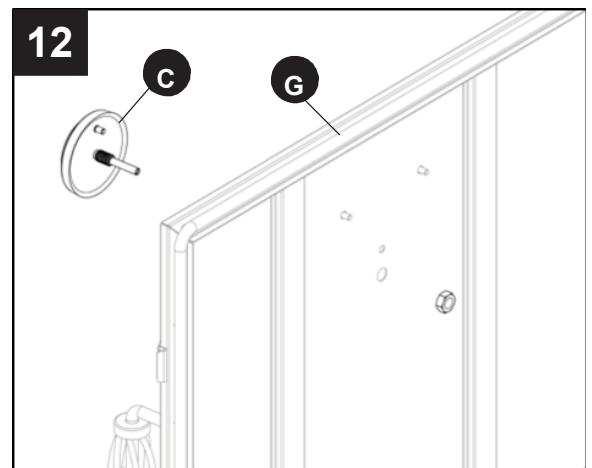
Coloque la parrilla costilla (T) directamente sobre la deseada ralla antes de deslizar la rejilla sobre los soportes.

NOTA: El borde izquierdo o derecho de la parrilla costilla debe no cuelgue sobre el borde exterior de la parrilla de cocción antes de colocar de nuevo en el fumador.

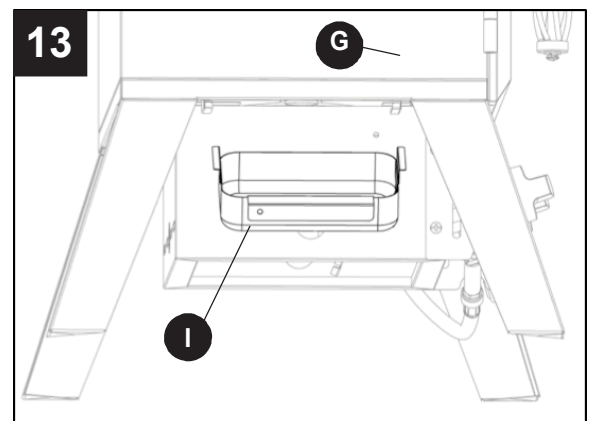


12. Instalación del indicador de temperatura

En primer lugar, quitar la tuerca pre-ensamblado a partir de la indicador de temperatura (C). Inserte la sonda de la indicador de temperatura a través del agujero de la puerta del ahumador desde el exterior. Asegure con tuerca del panel interior. Apriete con la llave.

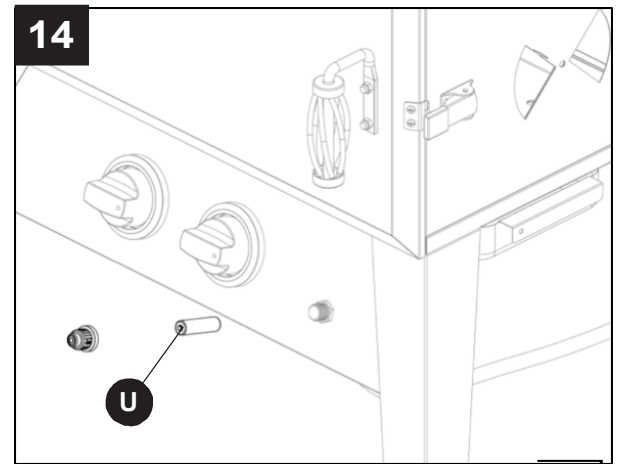


13. Deslice la taza para grasa (I) sobre el soporte para la taza de grasa de la parte inferior del cuerpo del ahumador (G). Repita en el otro lado.



INSTRUCCIONES DE ENSAMBLAJE

14. Retire la tapa del encendedor girándola en sentido contrario a las agujas del reloj. Inserte la batería AAA (U) en el cuerpo del encendedor con el extremo positivo (+) hacia fuera. Vuelva a colocar la tapa del encendedor.




INSTRUCCIONES DE FUNCIONAMIENTO

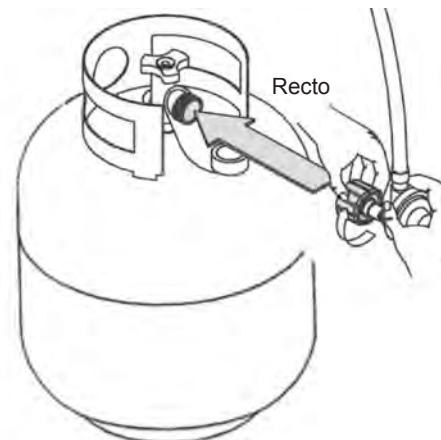
CONEXIÓN DEL TANQUE DE GAS PROPANO

ADVERTENCIA

SE DEBEN SEGUIR TODAS LAS INSTRUCCIONES Y MEDIDAS DE ESTA PÁGINA PARA EVITAR INCENDIOS, DAÑOS Y/O LESIONES.

1. La perilla del tanque de gas propano debe estar cerrada. Asegúrese de girar la perilla en sentido de las manecillas del reloj hasta que se detenga por completo. Se debe adaptar el sistema de suministro del tanque para la extracción de vapores.
2. Verifique que la perilla de control en la unidad de control esté apagada.
3. Retire la tapa protectora de la válvula del tanque de gas propano y la tuerca de acoplamiento.
4. Sostenga el regulador con una mano e inserte la boquilla en la salida de la válvula. Asegúrese que la boquilla esté centrada en la salida de la válvula. El acoplamiento se conecta a grandes roscas externas en la salida de la válvula. Tenga cuidado, no rosque transversalmente la conexión.
5. Apriete a mano el acoplamiento en sentido de las manecillas del reloj hasta que se detenga por completo. Apriete sólo con la mano de manera firme. No use herramientas.

 **PRECAUCIÓN:** En el proceso de conexión, asegúrese que el conector de entrada del regulador coincida con la salida de la válvula del tanque de manera correcta, segura y firme.



INSTRUCCIONES DE FUNCIONAMIENTO

Cualquier tanque de suministro de gas propano líquido debe estar fabricado y marcado según las especificaciones para este tipo de tanques del U.S. Department of Transportation (DOT) CFR 49, o the Standard for Cylinders, Spheres and Tubes for the Transportation of Dangerous Goods, CAN/CSA B339. El electrodoméstico sólo se debe utilizar con el tanque de extracción de vapor de 9 kg (20 libras) en forma vertical y debe incluir un anillo para proteger la válvula del tanque.

(A) NO almacene tanques de gas propano de reserva a debajo o cerca del ahumador.

(B) NUNCA llene el tanque a más del 80% de su capacidad.

(C) No almacene el tanque en interiores.



ADVERTENCIA

Si no sigue con precisión las instrucciones (A), (B), (C) anteriores puede provocar un incendio que podría ocasionar lesiones graves o la muerte.

Este ahumador se diseña únicamente para trabajar con gas propano. El tanque de gas utilizado debe incluir un anillo para proteger la válvula. Se debe adaptar el sistema de suministro del tanque para la extracción de vapores. No permita que ingrese suciedad o algún material extraño en el tanque o en la conexión del tanque si no está acoplado al sistema de suministro de combustible. Utilice la tapa protectora provista.



ADVERTENCIA

SE DEBEN SEGUIR TODAS LAS INSTRUCCIONES Y MEDIDAS DE ESTA PÁGINA PARA EVITAR INCENDIOS, DAÑOS Y/O LESIONES.

La salida del tanque debe tener la terminación de conexión de gas tipo 1 para que coincida con la manguera de gas que viene con el ahumador. Se debe usar el regulador de presión y el ensamble de manguera incluidos con el electrodoméstico por el fabricante. Los reguladores de presión y los ensambles de manguera de repuesto deben ser los especificados por el proveedor del electrodoméstico. No se debe utilizar esta unidad con un sistema de suministro de gas propano no autónomo.

Los reguladores de presión/válvula están configurados de fábrica a las presiones de funcionamiento correctas. No se deben realizar ajustes a esta configuración.

DESCONECTE EL TANQUE DE GAS PROPANO

Asegúrese de girar la perilla del tanque de gas propano en sentido de las manecillas del ⌚ reloj hasta que se detenga por completo (CERRADO).

Sostenga el regulador con una mano, gire el acoplamiento en la salida de la válvula en sentido de las manecillas del reloj ⌚ y desenrosque la conexión sólo con la mano. No use herramientas.

Vuelva a colocar la tapa protectora (si existe) de la válvula del tanque de gas propano y la tuerca de acoplamiento.

Siempre cuelgue el regulador sobre las manijas de levantamiento (A) cuando no esté en uso, el tanque de gas propano esté desconectado y la unidad se haya enfriado.

ALMACENE EL TANQUE EN EL LUGAR QUE SE INDICA EN ESTE MANUAL.

INSTRUCCIONES DE FUNCIONAMIENTO

BÚSQUEDA DE FUGAS

Luego de realizar las conexiones, con una solución jabonosa compruebe que no haya fugas.

1. Con las válvulas cerradas, coloque la solución de verificación de fugas (una mezcla de detergente y agua en partes iguales) en todas las conexiones y los conectores de gas.
2. Abra la válvula del tanque.

La presencia de burbujas donde se humedeció con la solución indica una fuga de gas. Si detecta fugas o huele u oye gas, cierre la válvula y repare la fuga o reemplace la pieza defectuosa. No use el ahumador hasta que haya corregido todas las fugas.

El conjunto de la manguera/regulador de gas se debe extender a la distancia máxima de manera que la manguera quede recta y el tanque tan lejos del ahumador como pueda (mínimo 61 cm [24 pulg.]).

Para extracción de vapor, los tanques de gas propano sólo deben utilizarse en posición vertical.

Si el producto no está en uso, se debe desconectar el gas del tanque de suministro y a su vez, el tanque se debe desconectar del electrodoméstico.

Puede almacenar la unidad en interiores sólo si desconecta y retira el tanque del electrodoméstico. No almacene el tanque en interiores.

OPERACIÓN

ANTES DEL PRIMER USO

Quite todo elemento colgante y las correas de plástico, si hubiese.

Antes de cocinar alimentos en el ahumador, es importante que “estacione” el mismo. El estacionamiento sella la pintura y el interior del ahumador para acentuar el sabor, la durabilidad y el desempeño general.

Con la madera aromática y los marinados que elija, caliente el ahumador a una temperatura baja (alrededor de 79 °C [175 °F]) durante 45 a 60 minutos. Después que se enfríe el ahumador, limpie el agua y la madera.

Cuando termine el estacionamiento, el interior del ahumador tendrá un revestimiento estacionado durable.

Agregar agua

Para agregar agua antes de cocinar, simplemente quite la taza para agua y llénela con agua ligeramente por debajo del borde. Luego coloque la taza de vuelta en el ahumador. Se recomienda colocar suficiente agua antes de cocinar.

Para agregar agua mientras cocina, si oye un sonido de crujido que indica la falta de agua, o simplemente debe agregar agua, abra la puerta inferior con cuidado y evite inhalar el humo, utilice un hervidor con pico largo para verter el agua, manténgase lo más alejado que pueda del ahumador, llene la taza para agua a 2,54 cm (1 pulg.) debajo del borde.



PRECAUCIÓN: NO quite la taza para agua por fuera de la parrilla mientras el ahumador está caliente.

INSTRUCCIONES DE FUNCIONAMIENTO

Consejo de cocina


Forre la taza para agua con papel de aluminio antes de cada uso. Esto facilita la limpieza y ayuda a que la taza para agua dure más tiempo.

Para agregar agua de manera fácil y segura, utilice una regadera limpia con boquilla larga.

Incorporación de madera

Para agregar astillas de madera antes de cocinar, simplemente llene la bandeja para astillas de madera con la madera aromática de su elección. El monto y el tipo de madera que utilice depende completamente en la intensidad deseada de sabor. Después de haber llenado la bandeja, colóquela la tapa e introdúzcala en el ahumador.

Para agregar astillas de madera mientras cocina, recomendamos utilizar tenazas o pinzas con manijas largas para quitar la tapa de la bandeja y que coloque las piezas en la bandeja sin extraerla. No se recomienda extraer la bandeja mientras el ahumador está en uso.

 **PRECAUCIÓN:** La bandeja para astillas de madera y su tapa se calientan mucho. Evite manipularlas mientras están en uso. Siempre use mitones o guantes de protección cuando manipule componentes calientes.

Consejo de cocina: Madera aromática

- ï Las astillas de madera pequeñas actúan mejor en la bandeja.
- ï Utilice madera seca como nogal, pacana, manzano, cerezo o mesquite.
- ï La madera de árboles que dan frutos o frutos secos suele producir un sabor ahumado excelente.
- ï No utilice maderas resinosas como pino o contrachapada. En general producen un sabor desagradable.
- ï Deje que el sentido del gusto lo guíe. Experimente con distintos tipos y cantidades de madera, trozos, viruta o palos. Hasta puede mezclar distintas maderas.
- ï Para producir más humo y evitar el quemado rápido, primero coloque las astillas de madera en remojo en un tazón de agua aparte por 20 minutos como mínimo, o envuelva las astillas en papel de aluminio perforado.
- ï El sabor ahumado se obtiene dentro de la primera hora de cocción principalmente. No suele ser necesario que agregue astillas después, salvo que desee más sabor ahumado.

CONSEJOS SOBRE AHUMADO

Ahumar alimentos es distinto a asarlos. En general el ahumado se realiza más despacio y a temperaturas más bajas que el asado. El humo que se produce por la madera se infunde en la carne y le da un sabor ahumado increíble. El proceso de asado es mucho más rápido y a temperaturas más altas.

Siempre siga las recomendaciones del fabricante de limpieza y cuidado. Controle el suministro de combustible, no será agradable quedarse sin gas propano en medio del proceso. Es recomendable comprar otro tanque de gas propano como reserva.

Esta es una lista de las maderas más comunes para ahumado y algunos datos sobre cada una de ellas.

Tipo de madera	Alimentos sugeridos	Comentarios
Manzano	Carnes de todo tipo	Sabor suave y dulce con un leve toque frutal. Cada especie de manzano debe ofrecer un sabor levemente diferente. El humo de manzanos produce un efecto dorado atractivo.
Almendra	Carnes de todo tipo	Ofrece un humo dulce con un sabor avellanado natural.
Cenizas	Pescado y carnes rojas	Sabor muy suave.
Citrus	Cerdo y pollo	La madera de limoneros y naranjos produce un sabor suave y frutal.
Cherry	Cerdo y res	Sabor frutal y suave.
Madera de frutales	Cerdo, aves y pescado	La madera de durazneros, perales y ciruelos produce un humo dulce suave y un leve sabor frutal.
Parra	Aves, game y cordero	La madera de parra produce mucho humo. Con poca cantidad de madera es suficiente. Produce un sabor ácido que tiene un toque frutal.
Nogal americano	Cerdo y res	Podría decirse que la madera de nogal es la favorita para ahumar. El nogal produce un sabor muy fuerte, por lo tanto se recomienda comenzar despacio con esta madera.
Maple	Cerdo y aves	Suave y dulce.
Mesquite	Res, pollo y pescado	Tenga cuidado porque esta madera se calienta mucho al quemarse. Del mismo modo que la madera de nogal, la de mesquite es muy popular y produce un sabor fuerte.
Oak	Carnes rojas, aves de corral, costillar y pescado	Otra madera que produce un humo espeso. Comience despacio con esta madera.
Pacana	Costillar y carnes rojas	Produce un humo suave que ofrece un sabor dulce y avellanado.

TIEMPOS Y TEMPERATURAS DE AHUMADO SUGERIDOS

Tenga en cuenta que estas son sólo algunas pautas. Todos los ahumadores son distintos. Considere otras variables como las condiciones climáticas, el viento, la temperatura ambiente, etc. ya que el proceso puede variar en una hora o más.

Aprenda a determinar la cocción tanto de modo visual como por la temperatura y el tiempo, y se convertirá en un cocinero excelente con el ahumador.

Alimentos para ahumar	Temperatura sugerida de ahumado	Tiempo estimado para completarlo
Falda (en rodajas o desmenuzada)	107 grados C (225 °F)	1,5 horas/libra
Espalda de cerdo (en rodajas o desmenuzada)	107 grados C (225 °F)	1,5 horas/libra
Pollo entero	121 grados C (250 °F)	4 hours (approx.)
Muslos de pollo	121 grados C (250 °F)	1,5 horas
Cuartos de pollo	121 grados C (250 °F)	3 horas
Pavo entero: 5,44 kg. (12 lb.)	115 grados C (240 °F)	6,5 horas
Patatas de pavo	121 grados C (250 °F)	4 horas
Pan de carne	121 a 149 grados C (250° a 300 °F)	3 horas
Costillas	107 a 115 grados C (225° a 240 °F)	6 horas
Costillas de lechón	107 a 115 grados C (225° a 240 °F)	5 horas
Maíz ahumado	107 grados C (225° F)	1,5 a 2 horas
Papas ahumadas	107 grados C (225° F)	2 a 2,5 horas

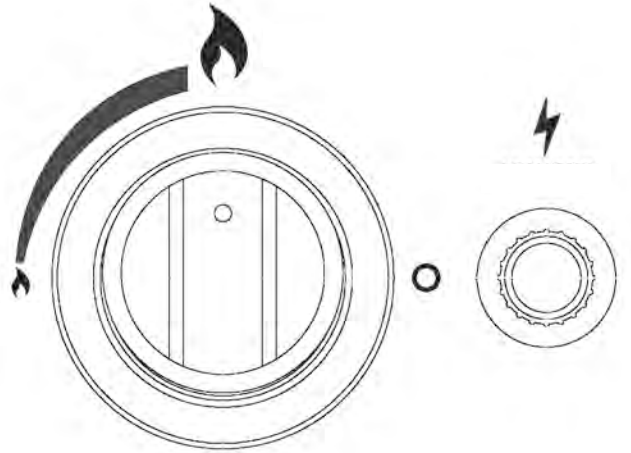
INSTRUCCIONES DE FUNCIONAMIENTO

INSTRUCCIONES PARA EL ENCENDIDO

⚠ Advertencia: Siempre encienda el ahumador con todas las puertas abierta.

⚠ PRECAUCIÓN: Si la llama se apaga de manera accidental durante el encendido o el funcionamiento, APAGUE la válvula del tanque de inmediato y APAGUE la perilla de control.

1. Verifique que no haya fugas en las conexiones con la prueba de “agua jabonosa” que se explicó en la página 70 para “búsqueda de fugas”.
2. Abra todas las puertas del gabinete del ahumador. Siempre mantenga la puerta abierta durante el encendido.
3. Revise el tubo venturi o el quemador, la instalación del regulador, y la instalación de la ventilación en busca de obstrucciones. Retire todos los objetos o materiales extraños.
4. Asegúrese de que la perilla de control del quemador esté en la posición **○** (APAGADO).
5. Abra totalmente la válvula del tanque girándola en sentido contrario a las manecillas del reloj **↻**.
6. Presione el botón de encendido **⚡** de la unidad de control durante 1 a 2 segundos y luego presione y gire la perilla de control a **🔥** (ALTO), con el botón de encendido presionado. En este punto, el quemador debe encenderse.
7. Si el quemador no enciende en 5 segundos, gire la perilla de control a “OFF” **○** (CERRADO) inmediatamente. Espere 5 minutos y repita los pasos 6 y 7 anteriores.
8. Si aún el quemador no se enciende, intente hacerlo con fósforos según las instrucciones de la página 75.
9. Cuando el quemador esté encendido, cierre la puerta inferior para permitir que se acumule el calor. El acumulador de humo de la parte superior del ahumador se puede ajustar para permitir la ventilación y combustión adecuadas. **NUNCA CIERRE EL ACUMULADOR DE HUMO POR COMPLETO.**



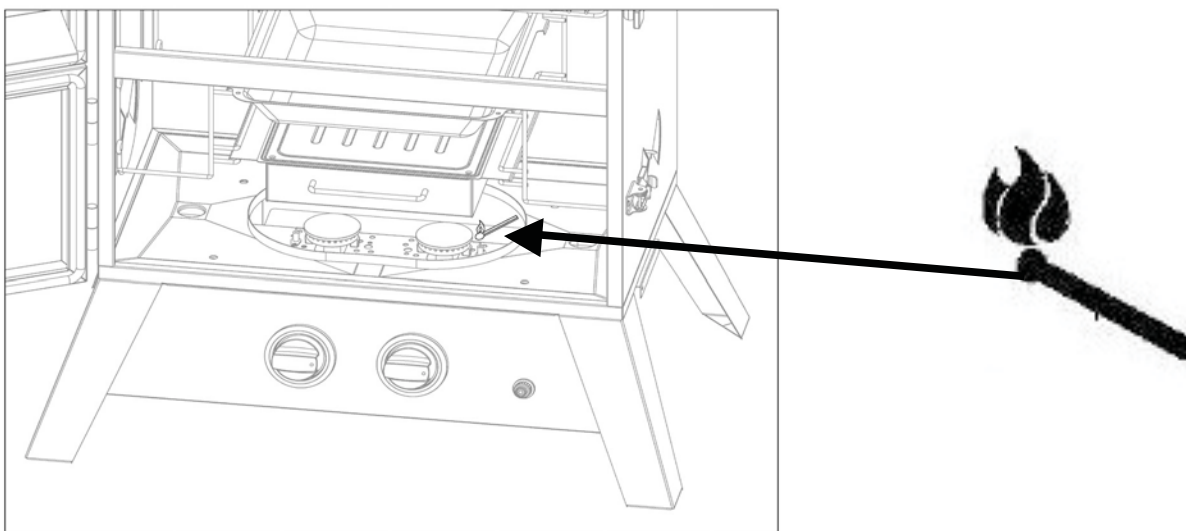
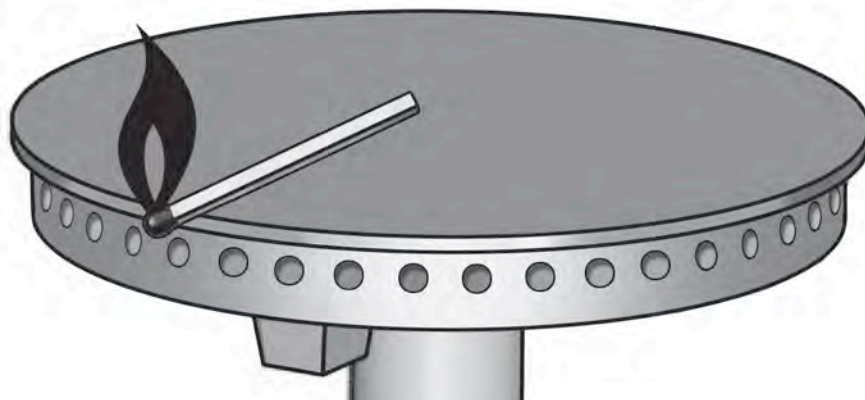
INSTRUCCIONES DE FUNCIONAMIENTO

Procedimiento de encendido manual

Compruebe que ambas perillas de control están en la posición de **O** (APAGADO) antes de comenzar el procedimiento de encendido con fósforo.


⚠ Advertencia: Siempre encienda el ahumador con todas las puertas abierta.

1. Repita los pasos 1 al 5 del sistema de iluminación del encendedor (PÁGINA 74).
2. Abra la puerta inferior, Coloque un fósforo encendido en el quemador como se muestra. Rápidamente gire la perilla de control a la posición **🔥** (ALTA). Si el quemador continúa sin encenderse en un lapso de 5 segundos, gire la perilla de control a la posición **O** (APAGADO), espere 5 minutos para que se disipe el gas. Repita el proceso.




INSTRUCCIONES DE FUNCIONAMIENTO

Consejo de cocina: Ajustes del regulador de tiro

 **ADVERTENCIA:** Los reguladores en el cuerpo del ahumador y la manija del acumulador de humo se calientan mucho cuando se cocina. Siempre use guantes resistentes al calor cuando realice ajustes.

- ï Para un mejor desempeño, gire el ahumador para que el frente o la parte posterior del cuerpo apunte hacia el viento. Este ajuste permite que los reguladores sean más eficaces y correctos.
- ï Los dos reguladores del cuerpo del ahumador nunca deben estar cerrados por completo.
- ï La apertura de la compuerta en la chimenea ayuda a extenuar tanto el calor como el humo.
- ï La clave para un ahumado eficaz está en observar el indicador de calor de la puerta y ajustar el regulador según corresponda.
- ï El mantenimiento de la temperatura se controla mejor gracias a las distintas configuraciones de ajuste del regulador.

Apagado del ahumador

 **PRECAUCIÓN:** El ahumador se calienta mucho en uso.

No toque ninguna parte del ahumador, excepto la manija de la puerta y la perilla de control del quemador. Puede ser necesario que utilice guantes de protección.

1. Para apagar, presione las perillas de control del quemador y gírelas hasta "OFF". Las llamas de ambos quemadores deben apagarse.
2. Apague la válvula del tanque de gas propano haciendo girar la perilla en dirección de las manecillas del reloj ↻ hasta que se detenga.

Siga todas las advertencias e indicaciones de seguridad antes de quitar la carne del ahumador o preparar la unidad para guardarla. Vea los procedimientos de guardado correctos en la página 77 y las advertencias e indicaciones importantes en las páginas 57 a 60.

CUIDADO Y MANTENIMIENTO

SEGURIDAD Y MANTENIMIENTO DESPUÉS DEL USO



ADVERTENCIA

- ï Tenga precaución al levantar o mover el ahumador para evitar dolores por lesiones de espalda. Para levantar o mover el ahumador se recomiendan dos personas.
- ï NO almacene el ahumador cerca de tanques de gasolina u otros líquidos combustibles o en lugares donde puedan existir vapores inflamables. Mantenga el área cercana al ahumador despejada de materiales combustibles y vapores.
- ï NO almacene este ahumador en lugares accesibles a niños o mascotas. Almacene el ahumador en un lugar seco y protegido. Desconecte el tanque del ahumador.
- ï No permita que nadie realice actividades alrededor del ahumador durante su uso o luego de él sino hasta que se enfríe. Está CALIENTE durante su uso y permanecerá así durante algún tiempo después.
- ï NO deje cenizas calientes sin supervisión hasta que la parrilla se enfríe por completo.
- ï El ahumador se calienta de modo excesivo, permita que el mismo se enfríe por completo antes de manipularlo. Si debe manipular el ahumador cuando está caliente, SIEMPRE use mitones protectores para horno o guantes resistentes al calor. Permita que el ahumador se enfríe antes de quitar y limpiar la bandeja de recolección de grasa.
- ï Deseche las cenizas frías envolviéndolas con una hoja de aluminio resistente y colocándolas en un contenedor no inflamable.
- ï Si debe desechar las cenizas antes que se puedan enfriar por completo. Extraiga las cenizas del ahumador, manteniéndolas en papel de aluminio resistente, y sumérgalas en agua antes de desecharlas en un contenedor no inflamable.

CUIDADO Y MANTENIMIENTO



PRECAUCIÓN: Realice todos los procedimientos de cuidado y mantenimiento cuando el ahumador está apagado y frío. Un técnico calificado únicamente debe realizar el mantenimiento.

Limpie la taza para agua y la rejilla de cocción con agua caliente y jabón. Enjuague y seque bien. También puede recubrir la taza para agua y la parrilla de cocción con un poco de aceite o spray de cocina.

Revise con frecuencia que no haya nidos de insectos ni insectos en los tubos venturi y del quemador. En caso de haberlos, límpielos. Un tubo obstruido puede ocasionar un incendio debajo del ahumador. También asegúrese de que el ahumador no tenga objetos extraños que obstruyan el flujo de combustible y el aire de ventilación.

Para limpiar el gabinete del ahumador por dentro y por fuera, utilice un trapo húmedo simplemente. No se recomienda lavarlo con una manguera. No deben quedar restos de agua en el interior o en la parte superior del ahumador. Una vez limpio, puede recubrir el interior del gabinete del ahumador con un poco de aceite o spray de cocina.

Si se produce oxidación en la superficie exterior del ahumador, limpie el área con lana de acero o tela de esmeril y pinte con una pintura resistente al calor para trabajo pesado.

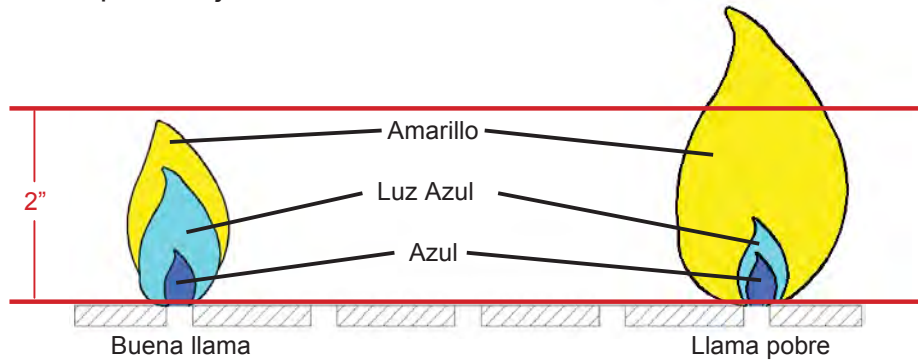
NUNCA coloque más pintura en el interior del ahumador. Si hay oxidación dentro del ahumador, límpielo con lana de acero o tela de esmeril y revista suavemente el área con aceite o spray de cocina para intentar minimizar la oxidación recurrente.

Cuando el tanque de gas propano no está conectado y para ayudar a prevenir que suciedad u otras partículas extrañas obstruyan el conector del regulador, cuelgue el extremo de la manguera y el conjunto del regulador en la manija de levantamiento (A).

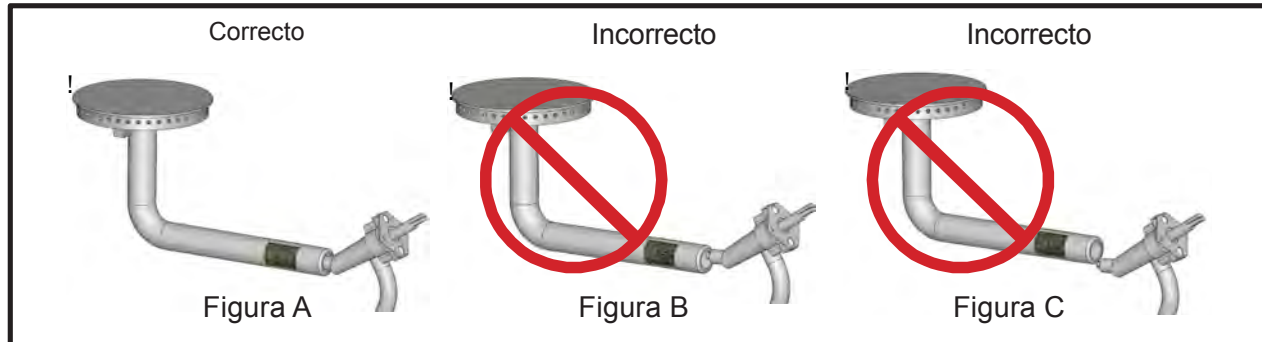
Mantenga despejadas y limpias las aberturas de ventilación del compartimiento del tanque.

CUIDADO Y MANTENIMIENTO

Observe las llamas en el quemador a través del orificio de observación en el lado izquierdo del quemador y la unidad de control "H". Una buena llama debe ser de color azul con la punta amarilla y debe medir entre 2,5 y 5 cm (1 a 2 pulg.) de altura. Si las llamas son demasiado amarillas e irregulares, es posible que haya depósitos de comida o residuos de aceite en el quemador. Intente limpiar la superficie del quemador y los orificios para mejorar las llamas.



También se pueden producir llamas pobres por una unión deficiente del tubo venturi al orificio. Apague la perilla de control y la válvula del tanque, siempre permita que el ahumador se enfríe antes de limpiar o revisar el electrodoméstico. Asegúrese que el orificio de la válvula de control coincida por completo con el tubo mezclador del quemador según observa desde abajo del electrodoméstico. El tubo venturi del quemador se tiene que superponer con el orificio y ambos deben formar una línea recta como muestra la Figura A. Las Figuras B y C muestran una alineación incorrecta.



⚠️ ADVERTENCIA: Si no sigue las instrucciones anteriores, puede producirse una explosión y causar lesiones graves o la muerte.

Para proteger al ahumador de las condiciones climáticas, siempre guárdelo cubierto cuando no está en uso.

Para pedir accesorios o piezas de repuesto, llame al 1-877-447-4768.

SOLUCIÓN DE PROBLEMAS

Si tiene preguntas relacionadas con el producto, llame a nuestro Departamento de Servicio al Cliente al 1-877-447-4768 de lunes a viernes, de 8:30 a.m. a 4:30 p.m. hora estándar del Central.

PROBLEMA	CAUSAS POSIBLES	SOLUCIONES POSIBLES
El quemador no se enciende con el procedimiento de encendido.	<ol style="list-style-type: none"> 1. El electrodo del encendedor puede estar tapado con grasa o residuos. 2. El electrodo del encendedor puede tener un cable suelto o desconectado. 3. No se produce chispa alguna. 4. No hay flujo de gas o la válvula del tanque no está abierta. 5. Bloque contra vapores en la tuerca del acoplador del tanque de gas propano. 	<ol style="list-style-type: none"> 1. Limpie el electrodo del encendedor. 2. Revise la conexión y vuelva a conectar los cables sueltos o desconectados. 3. Reemplace las baterías AAA dentro del encendedor. 4. Asegúrese que el tanque de gas propano no esté vacío ni abierta la válvula del mismo. 5. Apague la perilla y la válvula del tanque de gas propano. Desconecte la tuerca de acoplamiento del tanque de gas propano. Vuelva a conectar e intente nuevamente.
El quemador no se enciende al utilizar un fósforo.	<ol style="list-style-type: none"> 1. No hay flujo de gas o el flujo de gas está obstruido. 	<ol style="list-style-type: none"> 1. Verifique el nivel de combustible. Limpie el tubo venturi y el quemador.
La llama se extingue.	<ol style="list-style-type: none"> 1. Manguera de suministro de gas desconectada. 2. Viento fuerte o en ráfagas. 	<ol style="list-style-type: none"> 1. Vuelva a conectar la manguera de suministro de gas. 2. Saque la parrilla de la zona ventosa.
Llamarada.	<ol style="list-style-type: none"> 1. Temperaturas de cocción es excesivas. 2. Acumulación de grasa y residuos. 3. La carne tiene demasiada grasa. 4. El marinado tiene demasiado aceite. 	<ol style="list-style-type: none"> 1. Reduzca el nivel de las llamas. 2. Limpie los componentes. 3. Quite la grasa de la carne antes de cocinarla. 4. Use un marinado que no sea a base de aceite.
Llama amarilla humeante.	<ol style="list-style-type: none"> 1. Temperatura de cocción excesiva. 2. Obstrucción en el flujo de gas. 3. Ventilación obstruida. Regulador cerrado. 	<ol style="list-style-type: none"> 1. Reduzca el nivel de las llamas. 2. Verifique y limpie el tubo venturi y el quemador. 3. Ajuste la ventilación y el regulador según corresponda.

GARANTÍA

Este ahumador de gas vertical tiene garantía por si alguna pieza está rota o dañada al momento de la compra. El quemador de acero inoxidable tiene garantía por 5 años. Todas las otras partes tienen un (1) año de garantía limitada excepto la taza para agua que garantiza que no presentará defectos por 90 días. La pintura está garantizada contra defectos por 90 días excepto oxidación, que puede aparecer después del uso repetido.

Esta garantía no cubre daños o problemas ocasionados por negligencia ni abuso o modificaciones al electrodoméstico. Los gastos de reparación no están cubiertos.

Todas las piezas que cumplan con los requisitos de la garantía se enviarán sin cargo por medio de transporte que decida GHP Group Inc. (envíos por tierra, correo de EE.UU. o servicios de paquetes postales ÚNICAMENTE). Cualquier otro gasto especial de manipulación (es decir, envíos de dos días, de la noche a la mañana, etc.) correrá por cuenta del cliente.

Todos los reclamos de garantía se aplican sólo al comprador original y requieren un comprobante para verificar la fecha de compra. No devuelva piezas a la dirección de GHP sin antes obtener un número de autorización para la devolución de nuestro departamento de servicio al cliente. Este servicio está disponible en el número gratuito 1-877-447-4768 de lunes a viernes, de 8:30 a.m. a 4:30 p.m. hora estándar del Central.

Algunos estados no permiten la exclusión o limitación de daños accidentales o resultantes, o limitaciones en cuanto al período de duración de una garantía, de modo que las limitaciones o exclusiones anteriores pueden no aplicarse a usted. Esta garantía le otorga derechos legales específicos, pero podría tener también otros derechos que varían según el estado.

GHP Group Inc.
6440 W. Howard St.
Niles, IL USA 60714-3302

Nombre del artículo: AHUMADOR DE GAS VERTICAL

Modelo #: DGW1904BDP-D

BTU Medidos (Por Quemador): 11,000 BTU/Hr

LISTA DE PIEZAS DE REPUESTO

Para pedir accesorios o piezas de repuesto, llame a nuestro Departamento de Servicio al Cliente al 1-877-447-4768 de lunes a viernes, de 8:30 a.m. a 4:30 p.m. hora estándar del Central.

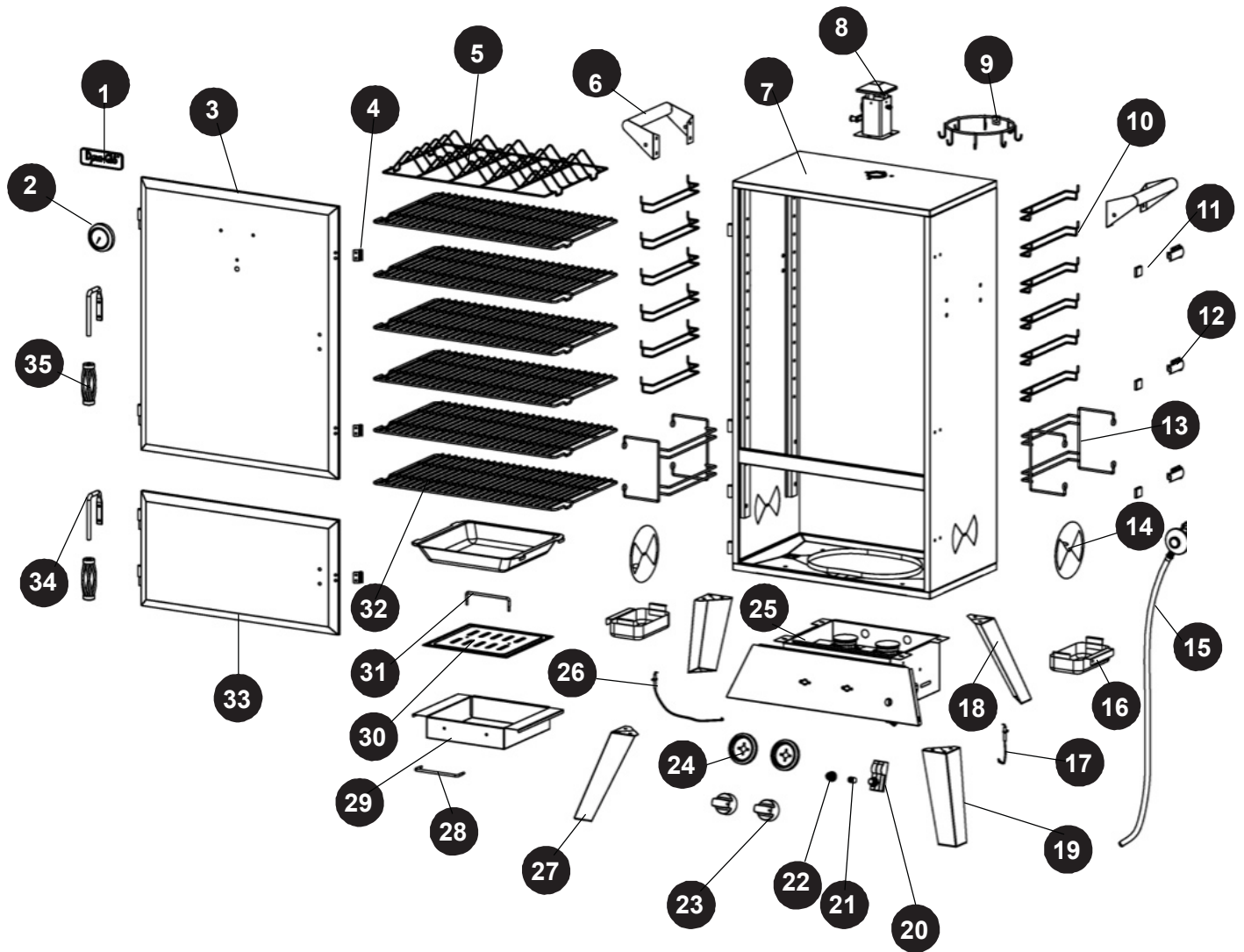
PIEZA	DESCRIPCIÓN	PIEZA #
1	Placa Logo - Dynaglo *	211-02002
2	Medidor de temperatura	211-02005
3	Puerta superior	70-01-171
4	Puerta soporte del enganche	70-01-156
5	Rejilla para costillas	70-01-157
6	Manija de elevación	301-01010-00
7	Fumador cuerpo	70-01-172
8	Pila de humo	312-02009-00
9	Ganchos de salchicha	70-01-159
10	Soporte de la rejilla de cocción	302-01030-00
11	Manija del pestillo de la puerta	70-01-160
12	Pestillo de la puerta	70-01-161
13	Apoyo de soporte	70-01-162
14	Lado apagador placa - tanto	301-01001-04
15	Conjunto del regulador	70-02-102
16	Taza de grasa	70-01-163
17	Electrodo de encendido y cable de encendido - corta	70-03-100
18	Pata trasera	301-01016-00
19	Pata delantera	70-01-164
20	Botón del encendido de presión (tapa solamente)	301-01015-03

PIEZA	DESCRIPCIÓN	PIEZA #
21	Resorte de tapa del encendido	301-01015-05
22	Encendido electrónico con tapa	301-01015-06
23	Perilla de control	301-01015-01
24	Bisel de la perilla de control	301-01015-02
25	Quemador y control de la unidad	70-01-165
26	Cable del encendido y el cable de encendido - largo	70-03-101
27	Pierna delantera - izquierda	70-01-166
28	Manija para Depósito de Astillas de Madera o Tapa de Depósito de Astillas de Madera *	301-01028-02
29	Depósito desechos de madera	301-01028-00
30	Madera depósito desechos tapa	301-01029-00
31	El depósito de agua	301-02017-00
32	Parrilla de cocción	70-01-167
33	Puerta inferior	70-01-168
34	Puerta empuñadura	70-01-169
35	Base de la manija de la puerta	70-01-170
36	Paquete de hardware	70-09-108
37	Manual del usuario/instrucción	70-10-114

*Incluye quincalla

LISTA DE PIEZAS DE REPUESTO

Para pedir accesorios o piezas de repuesto, llame a nuestro Departamento de Servicio al Cliente al 1-877-447-4768 de lunes a viernes, de 8:30 a.m. a 4:30 p.m. hora estándar del Central.



Impreso en China