

# 24" Compact Condensation Dryer

800 Series – WTG865H2UC



**WTG865H2UC**  
White

The 800 series laundry pair offers matching quality, water protection, design and fast wash and dry cycles.

## Features & Benefits

The Bosch 800 Series Dryer with Home Connect can be operated from anywhere.

Condensation drying doesn't require ducting.

Wrinkle Block Option reduces creasing or wrinkle build up.

Washer plugs into dryer for easy installation.

The 4.0 cu. ft. drum has large capacity to fit a variety of loads.



## General Properties

Dryer type	Condensing
Drum material	Stainless Steel
Interior light	Yes (LED)
Ventless drying (no ducting)	Yes
Stackable	Yes
Silence level (dBA)	63
Programs (No.), [Special]	(14), [Super Quick 15, Anti Shrink]
Options (No.), [Special]	(8) [Remote Start, Dry level adjust]
Energy consumption (kWh/yr)	311

## Capacity

Capacity (cu. ft.)	4.0
--------------------	-----

## Design Elements

Door ring	Chrome
Control type	Premium LED Touch
Dial	Illuminated jog dial
Bosch logo on door glass	Yes

## Technical Details

Energy source	Electric
Watts (W)	2,520
Circuit breaker (A)	30
Volts (V)	208/220-240
Current (A)	10.5
Frequency (Hz)	60
Plug type	240V; NEMA 14-30 (4 prong)
Power cord included	Yes
Power cord length (in)	63 (Full Length)
Drain hose length (in)	78 (Full Length)
Door hinge	Right Side (Reversible)

## Dimensions & Weight

Overall appliance dimensions (HxWxD) (in)	33 1/4" x 23 1/2" x 25"
Net weight (lbs)	99 lbs
Minimum stack height (in)	67 3/4"

ADA compliance  
 – Meets ADA height and access requirements *when installed on pedestal.*  
 – Meets ADA operable parts requirements for controls and lint filter.

## Accessories—Optional



**WTZ11400UC**  
Stacking kit with shelf



**WTZ20410UC**  
Stacking kit without shelf



**WMZ20500**  
Pedestal



**WMZ20600**  
Drying Rack



**Accessories:** To purchase Bosch accessories, cleaners & parts please visit [www.bosch-home.com/us/store](http://www.bosch-home.com/us/store) or call 1-800-944-2904 (Mon to Fri 5 am to 6 pm PST, Sat 6 am to 3 pm PST).  
**Notes:** All height, width and depth dimensions are shown in inches. BSH reserves the absolute and unrestricted right to change product materials and specifications, at any time, without notice. Consult the product's installation instructions for final dimensional data and other details prior to making cutout.  
**Warranties:** Please see Use & Care manual or Bosch website for statement of limited warranty.  
**For more information on our entire line of products, go to [www.bosch-home.com/us](http://www.bosch-home.com/us) or call 1-800-944-2904**  
 © BSH Home Appliances Corporation. All rights reserved. Bosch is a registered trademark of Robert Bosch GmbH.

# 24" Compact Condensation Dryer

800 Series – WTG865H2UC



**BOSCH**

Invented for life



## Installation Details

**Dimensions in inches**

**Washer plugs into the dryer or properly installed 240V NEMA 6-15 wall receptacle.**

**Optional Pedestal**

measurements in inches

**Accessories:** To purchase Bosch accessories, cleaners & parts please visit [www.bosch-home.com/us/store](http://www.bosch-home.com/us/store) or call 1-800-944-2904 (Mon to Fri 5 am to 6 pm PST, Sat 6 am to 3 pm PST).

**Notes:** All height, width and depth dimensions are shown in inches. BSH reserves the absolute and unrestricted right to change product materials and specifications, at any time, without notice. Consult the product's installation instructions for final dimensional data and other details prior to making cutout.

**Warranties:** Please see Use & Care manual or Bosch website for statement of limited warranty.

**For more information on our entire line of products, go to [www.bosch-home.com/us](http://www.bosch-home.com/us) or call 1-800-944-2904**

© BSH Home Appliances Corporation. All rights reserved. Bosch is a registered trademark of Robert Bosch GmbH.

# 24" Compact Condensation Dryer

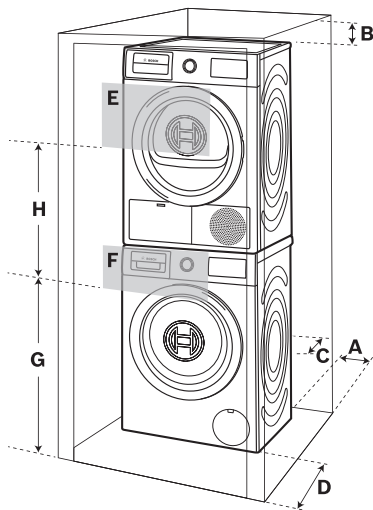
800 Series – WTG865H2UC



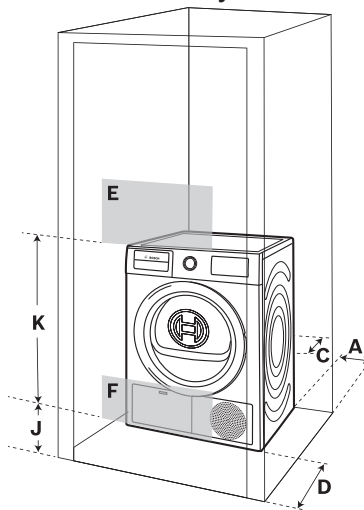
**BOSCH**  
Invented for life

## Installation Details

Closet: Stacked



Closet: Stand Alone (shown) or Side by Side



### Clearance requirements (Minimum)

A Both Sides	5/8 in.
B Top	6 1/4 in.
C Rear	2 1/2 in.
D Front	2 1/2 in.

### Ventilation Area (Minimum)

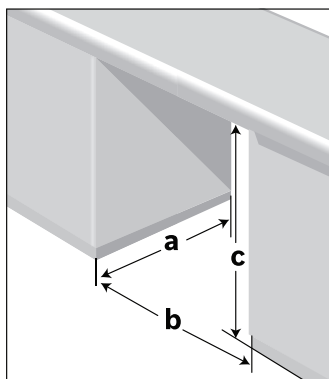
E Top	63 sq. in.
F Bottom	63 sq. in.

### Vent Spacing

G	37 in.
H	26 in.
J	3 in.
K	29 in.

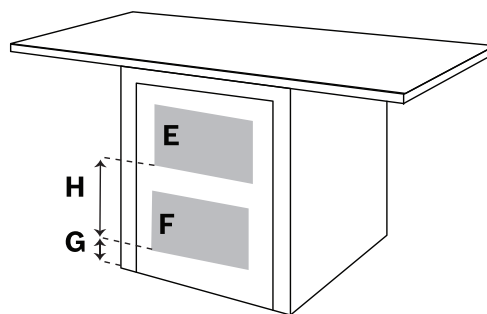
## Enclosure Dimensions

Under Counter: (Preferred)



Front of the appliance fully open. No doors or coverings.

Under Counter: (Less Preferred)



If the front of the appliance is covered, ventilation openings must be installed as shown and front/rear clearances adhered to according to closet installations.

### Minimum opening dimensions

a	28 in.
b	23 7/8 in.
c	34 1/2 in.

### E & F are minimum area sizes

E	63 sq. in.
F	63 sq. in.

### G & H actual spacing dimensions for min. open area sizes

G	3 in.
H	14 in.

**Accessories:** To purchase Bosch accessories, cleaners & parts please visit [www.bosch-home.com/us/store](http://www.bosch-home.com/us/store) or call 1-800-944-2904 (Mon to Fri 5 am to 6 pm PST, Sat 6 am to 3 pm PST).

**Notes:** All height, width and depth dimensions are shown in inches. BSH reserves the absolute and unrestricted right to change product materials and specifications, at any time, without notice. Consult the product's installation instructions for final dimensional data and other details prior to making cutout.

**Warranties:** Please see Use & Care manual or Bosch website for statement of limited warranty.

For more information on our entire line of products, go to [www.bosch-home.com/us](http://www.bosch-home.com/us) or call 1-800-944-2904

© BSH Home Appliances Corporation. All rights reserved. Bosch is a registered trademark of Robert Bosch GmbH.