



OPERATOR'S MANUAL

40-Volt X Power Head.....	2
Straight Shaft Trimer Attachment.....	32
Edger Attachment.....	62



EXPAND-IT
ATTACHMENTS



OPERATOR'S MANUAL

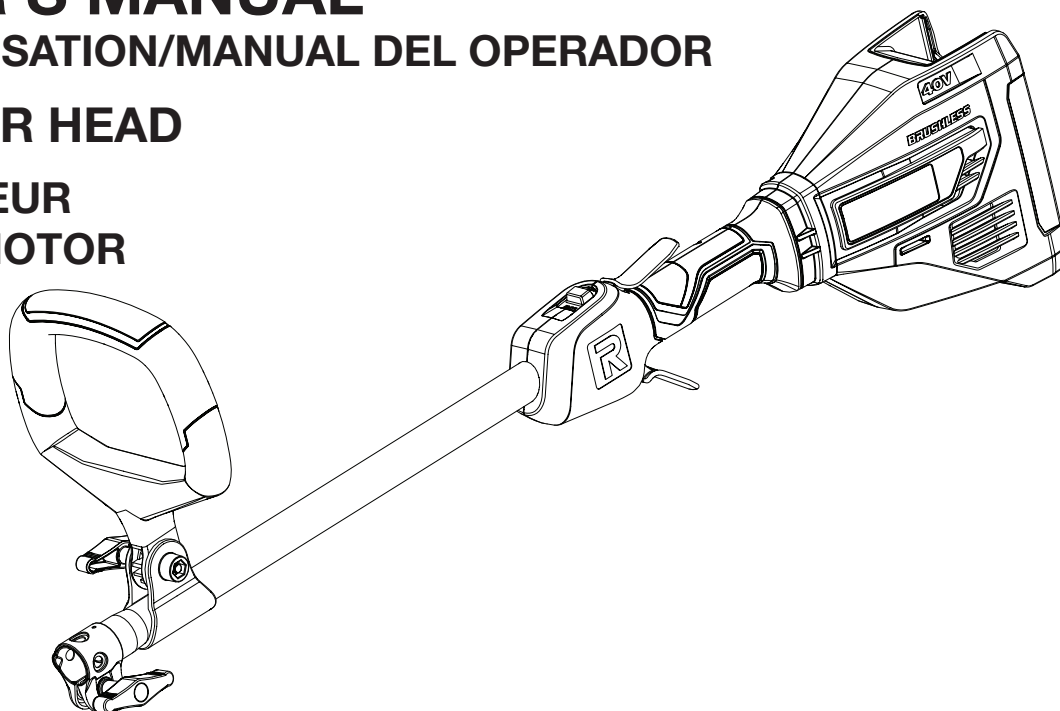
MANUEL D'UTILISATION/MANUAL DEL OPERADOR

40 VOLT POWER HEAD

40 V BLOC MOTEUR

40 V CABEZAL MOTOR

RY40003



Your power head has been engineered and manufactured to our high standard for dependability, ease of operation, and operator safety. When properly cared for, it will give you years of rugged, trouble-free performance.

WARNING: To reduce the risk of injury, the user must read and understand the operator's manual before using this product.

Thank you for your purchase.

SAVE THIS MANUAL FOR FUTURE REFERENCE

Le bloc-moteur a été conçue et fabriquée conformément à nos strictes normes de fiabilité, simplicité d'emploi et sécurité d'utilisation. Correctement entretenue, elle vous donnera des années de fonctionnement robuste et sans problème.

AVERTISSEMENT : Pour réduire les risques de blessures, l'utilisateur doit lire et veiller à bien comprendre le manuel d'utilisation avant d'employer ce produit.

Merci de votre achat.

Su cabezal motor ha sido diseñada y fabricada de conformidad con las estrictas normas para brindar fiabilidad, facilidad de uso y seguridad para el operador. Con el debido cuidado, le brindará muchos años de sólido y eficiente funcionamiento.

ADVERTENCIA: Para reducir el riesgo de lesiones, el usuario debe leer y comprender el manual del operador antes de usar este producto.

Le agradecemos su compra.

**CONSERVER CE MANUEL POUR
FUTURE RÉFÉRENCE**

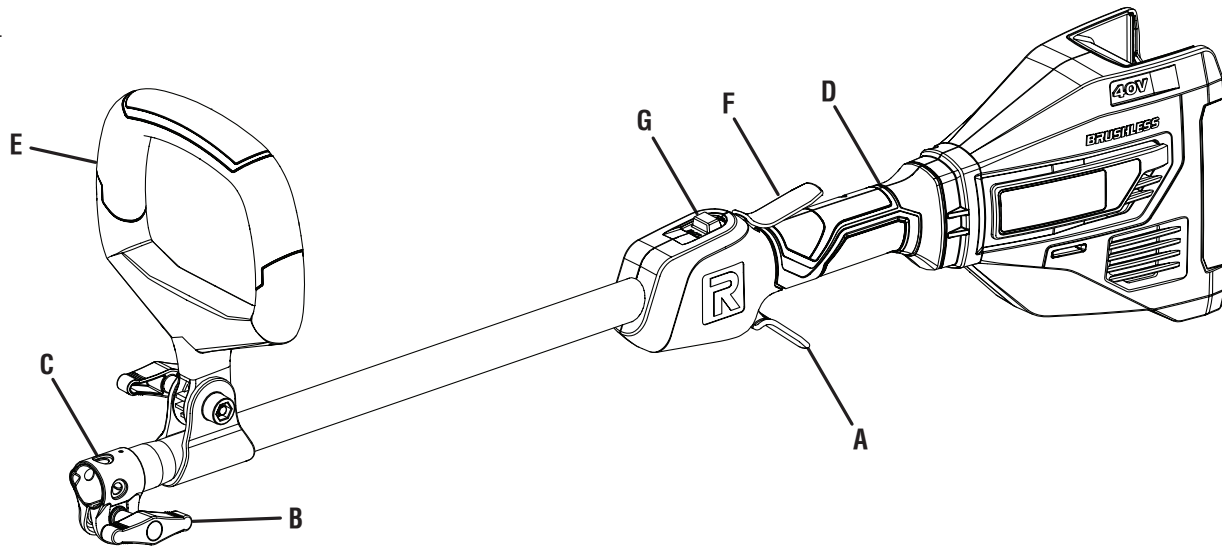
**GUARDE ESTE MANUAL PARA
FUTURAS CONSULTAS**

See this fold-out section for all the figures referenced in the operator's manual.

Voir que cette section d'encart pour toutes les figures a adressé dans le manuel d'utilisation.

Vea esta sección de la página desplegable para todas las figuras mencionó en el manual del operador.

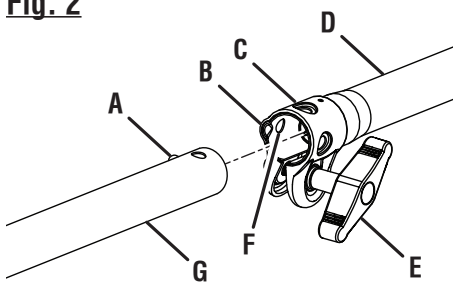
Fig. 1



A - Switch trigger (gâchette, gatillo del interruptor)
 B - Knob (bouton, perilla)
 C - Coupler (coupleur, acoplador)
 D - Rear handle (poignée arrière, mango trasero)

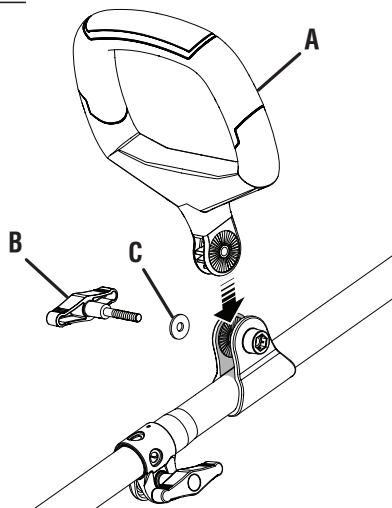
E - Adjustable front handle (poignée avant réglable, mango delantero ajustable)
 F - Trigger lock-out (gâchette avec verrou, gatillo con seguro)
 G - Speed switch (interrupteur de vitesse, interruptor de velocidad)

Fig. 2



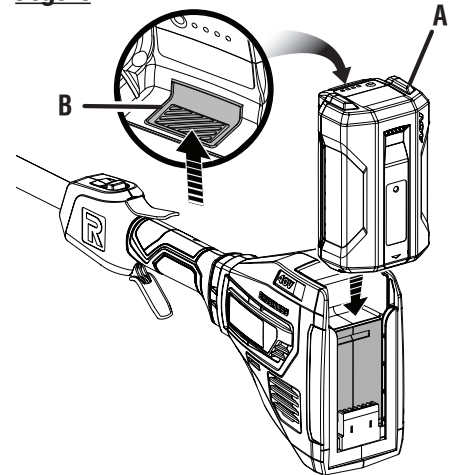
A - Button (bouton, botón)
 B - Guide recess (logement guide, hueco guía)
 C - Coupler (coupleur, acoplador)
 D - Power head shaft (arbre du bloc moteur, eje del cabezal motor)
 E - Knob (bouton, perilla)
 F - Positioning hole (trou de positionnement, orificio de posicionamiento)
 G - Attachment shaft (arbre d'accessoire, eje del aditamento)

Fig. 3



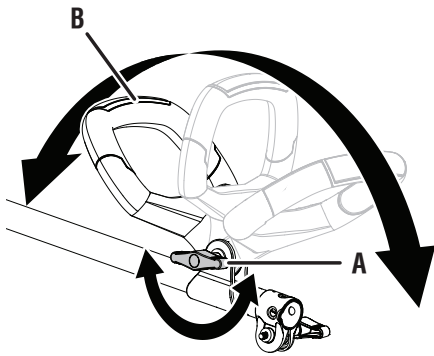
A - Front handle (poignée avant, mango delantero)
 B - Wing bolt (boulon à oreilles, perno de mariposa)
 C - Washer (rondelle, arandela)

Fig. 4



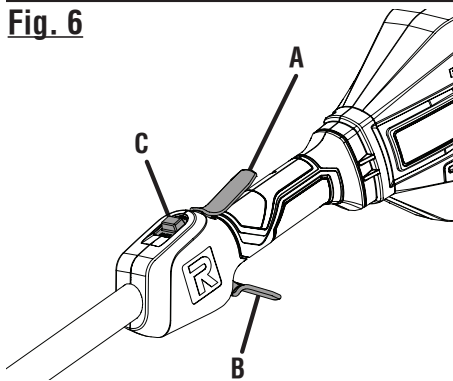
A - Battery pack (bloc-piles, paquete de baterías)
 B - Latch (loquet, pestillo)

Fig. 5



A - Knob (bouton, perilla)
 B - Adjustable front handle (poignée avant réglable, mango delantero ajustable)

Fig. 6



A - Trigger lock-out (gâchette avec verrou, gatillo con seguro)
 B - Switch trigger (gâchette, gatillo del interruptor)
 C - Speed switch (interrupteur de vitesse, interruptor de velocidad)

Fig. 7

**PROPER EDGER ATTACHMENT
 OPERATING POSITION**
**ACCESSOIRE COUPE-BORDURES
 POSITION DE TRAVAIL**
**POSICIÓN CORRECTA PARA EL
 ACCESORIO PARA CORTAR BORDES**

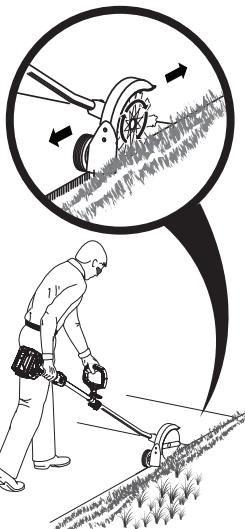


Fig. 8

**PROPER BLOWER ATTACHMENT
 OPERATING POSITION**
**ACCESSOIRE SOUFFLANTE
 POSITION DE TRAVAIL**
**POSICIÓN CORRECTA PARA EL
 MANEJO DE ADITAMENTO PARA SOPLADOR**



Fig. 9

**PROPER STRAIGHT SHAFT TRIMMER
 ATTACHMENT OPERATING POSITION**
**ACCESSOIRE TAILLE-BORDURES À ARBRE DROIT
 POSITION DE TRAVAIL**
**POSICIÓN CORRECTA PARA EL MANEJO DE ADITA-
 MENTO PARA RECORTADORA DE EJE RECTO**



Fig. 12

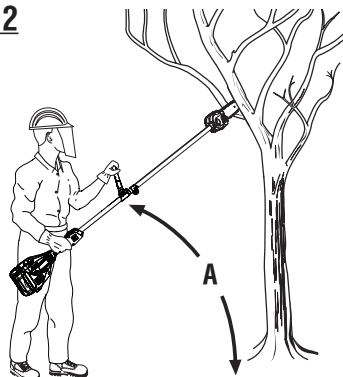


Fig. 10

**PROPER CURVED SHAFT TRIMMER
 ATTACHMENT OPERATING POSITION**
**ACCESSOIRE TAILLE-BORDURES À ARBRE
 COURBÉE POSITION DE TRAVAIL**
**POSICIÓN CORRECTA PARA EL MANEJO DE
 ADITAMENTO PARA RECORTADORA DE EJE CURVO**



Fig. 11

**PROPER CULTIVATOR ATTACHMENT
 OPERATING POSITION**
ACCESSOIRE CULTIVATEUR POSITION DE TRAVAIL
**POSICIÓN CORRECTA PARA EL
 MANEJO DE ADITAMENTO PARA CULTIVAR**



**PROPER
 PRUNER ATTACHMENT
 OPERATING POSITION**
**ACCESSOIRE D'ÉLAGAGE
 DROIT POSITION DE TRAVAIL**
**POSICIÓN CORRECTA
 PARA EL MANEJO DE ADITAMENTO
 PARA ACCESORIO PARA PODAR**

A - 60° maximum (60° maximum, 60° máximo)

TABLE OF CONTENTS

TABLE DES MATIÈRES / ÍNDICE DE CONTENIDO

■ Introduction.....	2
Introduction / Introducción	
■ Important Safety Instructions	3-4
Instructions importantes concernant la securite / Instrucciones de seguridad importantes	
■ Symbols.....	5
Symboles / Símbolos	
■ Features	6
Caractéristiques / Características	
■ Assembly	6-7
Assemblage / Armado	
■ Operation	7-8
Utilisation / Funcionamiento	
■ Maintenance	9
Entretien / Mantenimiento	
■ Troubleshooting	9
Dépannage / Corrección de problemas	
■ Warranty	10
Garantie / Garantía	
■ Parts Ordering and Service	Back Page
Commande de pièces et réparation / Pedidos de piezas y servicio.....	Page arrière / Pág. posterior

INTRODUCTION

INTRODUCTION / INTRODUCCIÓN

This product has many features for making its use more pleasant and enjoyable. Safety, performance, and dependability have been given top priority in the design of this product making it easy to maintain and operate.

* * *

Ce produit offre de nombreuses fonctions destinées à rendre son utilisation plus plaisante et satisfaisante. Lors de la conception de ce produit, l'accent a été mis sur la sécurité, les performances et la fiabilité, afin d'en faire un outil facile à utiliser et à entretenir.

* * *

Este producto ofrece numerosas características para hacer más agradable y placentero su uso. En el diseño de este producto se ha conferido prioridad a la seguridad, el desempeño y la fiabilidad, por lo cual se facilita su manejo y mantenimiento.

IMPORTANT SAFETY INSTRUCTIONS

WARNING!

When using electric gardening appliances, basic safety precautions should always be followed to reduce the risk of fire, electric shock and personal injury.

READ ALL INSTRUCTIONS

- For safe operation, read and understand all instructions before using this product. Follow all safety instructions. Failure to follow all safety instructions listed below, can result in serious personal injury.
- Do not allow children or untrained individuals to use this unit.
- Check the work area before each use. Remove all objects such as rocks, broken glass, nails, wire, or string which can be thrown or become entangled in the machine.
- Always wear eye protection with side shields marked to comply with ANSI Z87.1. Following this rule will reduce the risk of serious personal injury.
- Use Safety Glasses – Always use face or dust mask if operation is dusty.
- Protect your lungs. Wear a face or dust mask if the operation is dusty. Following this rule will reduce the risk of serious personal injury.
- Dress Properly – Use of rubber gloves and substantial footwear is recommended when working outdoors. Wear heavy, long pants, long sleeves, boots, and gloves. Do not wear loose fitting clothing, short pants, sandals, or go barefoot. Do not wear loose clothing or jewelry. They can be caught in moving parts. Secure long hair above shoulder level to prevent entanglement in moving parts.
- Keep children away – Keep all bystanders, children, and pets at least 50 ft. away.
- Stay alert – Watch what you are doing. Use common sense. Do not operate this unit when you are tired, ill, upset, or under the influence of alcohol, drugs, or medication.
- Do not operate in poor lighting.
- Keep all parts of your body away from any moving part.
- Do not operate power tools in explosive atmospheres, such as in the presence of flammable liquids, gases, or dust. Power tools create sparks which may ignite the dust or fumes.
- Avoid Dangerous Environments – Don't expose appliance to rain or wet conditions. Water entering an appliance will increase the risk of electric shock.
- Use Right Appliance – Do not use this product for any job except that for which it is intended.
- Don't Force Appliance – It will do the job better and with less likelihood of a risk of injury at the rate for which it was designed.
- Do not operate the equipment while barefoot or when wearing sandals or similar lightweight footwear. Wear protective footwear that will protect your feet and improve your footing on slippery surfaces.
- Do not overreach – Keep firm footing and balance. Overreaching can result in loss of balance.
- Avoid accidental starting – Be sure switch trigger is in the locked or off position before inserting battery pack. Carrying tools with your finger on the switch trigger or inserting the battery pack into a tool with the switch on invites accidents.
- Do not use tool if switch trigger does not turn it on or off. Any tool that cannot be controlled with the switch trigger is dangerous and must be repaired.
- Disconnect power head – Disconnect battery pack from the appliance before storing, servicing, or changing accessories such as cutting line. Such preventive safety measures reduce the risk of starting the tool accidentally.
- Use only identical manufacturer's replacement parts and accessories. Use of any other parts may create a hazard or cause product damage.
- Maintain appliance with care – Replace string head if cracked, chipped, or damaged in any way. Be sure the string head is properly installed and securely fastened. Failure to do so can cause serious injury. Follow instructions for lubrication and changing accessories. Inspect charger cord periodically and, if damaged, have it replaced. Keep power head handles dry, clean, and free from grease and oil.
- Check Damaged Parts – Before further use of the appliance, a guard or other part that is damaged should be carefully checked to determine that it will operate properly and perform its function. Check for alignment of moving parts, binding of moving parts, breakage of parts, mounting and any other condition that may effect its operation. A guard or other part that is damaged should be properly repaired or replaced by an authorized service center unless indicated elsewhere in this manual.
- Keep hands and feet away from cutting area.
- Make sure all guards, straps, deflectors and handles are properly and securely attached.
- Use only the manufacturer's replacement string in the cutting head when using a string trimmer attachment. Do not use any other cutting attachment, for example, metal wire, rope, or the like. To install any other brand of cutting head to the string trimmer attachment can result in serious personal injury.
- Never operate unit without the debris shield in place and in good condition.
- Maintain a firm grip on both handles while trimming. Keep string head below waist level. Never cut with the string head located over 30 in. or more above the ground.




IMPORTANT SAFETY INSTRUCTIONS

- Keep all parts of the body away from the saw chain. Do not remove cut material or hold material to be cut when blades are moving. Make sure the switch is off when clearing jammed material. Saw chain continues to move after the switch is turned off. A moment of inattention while operating the extended-reach pruner may result in serious personal injury.
- Carry the extended-reach pruner by the handle with the saw chain stopped. When transporting or storing the extended-reach pruner, always fit the saw chain device cover. Proper handling of the extended-reach pruner will reduce possible personal injury from the saw chain.
- Store idle appliances indoors - When not in use, power head and attachments should be stored indoors in a dry, locked place out of the reach of children.
- Never use flailing devices, wire or rope on any attachment.
- Inspect area to be cut. Remove objects (rocks, broken glass, nails, wire, string, etc.) which can be thrown or become entangled in cutting head.
- Keep the air vents clean and free of debris to avoid overheating the motor. Clean after each use.
- Stop the unit and disconnect the power source when not in use. Carry the unit with the motor stopped.
- Store out of the reach of children.
- Do not hang unit so that the switch trigger is depressed.
- Battery tools do not have to be plugged into an electrical outlet; therefore, they are always in operating condition. Be aware of possible hazards when not using your battery tool or when changing accessories. Following this rule will reduce the risk of electric shock, fire, or serious personal injury.
- Do not charge battery tool in rain, or damp or wet location. Following this rule will reduce the risk of electric shock.
- Do not use battery-operated appliance in rain.
- Do not grasp the exposed cutting blades or cutting edges when picking up or holding the appliance.
- Do not allow power head to be used as a toy. Close attention is necessary when used by or near children.
- Do not handle charger, including charger plug, and charger terminals with wet hands.
- Use extra care when cleaning on stairs.
- Remove or disconnect battery before servicing, cleaning or removing material from the gardening appliance.
- Use battery only with charger listed. For use with 40V lithium-ion battery packs. See Tool/Appliance/Battery Pack/Charger Correlation Supplement 988000-842.
- Do not dispose of the batteries in a fire. The cell may explode. Check with local codes for possible special disposal instructions.
- Do not open or mutilate the batteries. Released electrolyte is corrosive and may cause damage to the eyes or skin. It may be toxic if swallowed.
- Do not place battery tools or their batteries near fire or heat. This will reduce the risk of explosion and possibly injury.
- Batteries can explode in the presence of a source of ignition, such as a pilot light. To reduce the risk of serious personal injury, never use any cordless product in the presence of open flame. An exploded battery can propel debris and chemicals. If exposed, flush with water immediately.
- Do not crush, drop or damage battery pack. Do not use a battery pack or charger that has been dropped or received a sharp blow. A damaged battery is subject to explosion. Properly dispose of a dropped or damaged battery immediately.
- Exercise care in handling batteries in order not to short the battery with conducting materials such as rings, bracelets, and keys. The battery or conductor may overheat and cause burns.
- Under extreme usage or temperature conditions, battery leakage may occur. If liquid comes in contact with your skin, wash immediately with soap and water, then neutralize with lemon juice or vinegar. If liquid gets into your eyes, flush them with clean water for at least 10 minutes, then seek immediate medical attention. Following this rule will reduce the risk of serious personal injury.
- Save these instructions. Refer to them frequently and use them to instruct others who may use this power tool. If you loan someone this power tool, loan them these instructions also.









**ADDITIONAL SPECIFIC SAFETY RULES CAN BE FOUND
IN THE APPLICABLE ATTACHMENT'S OPERATOR'S MANUAL**

SYMBOLS

The following signal words and meanings are intended to explain the levels of risk associated with this product.

SYMBOL	SIGNAL	MEANING
	DANGER:	Indicates a hazardous situation, which, if not avoided, will result in death or serious injury.
	WARNING:	Indicates a hazardous situation, which, if not avoided, could result in death or serious injury.
	CAUTION:	Indicates a hazardous situation, that, if not avoided, may result in minor or moderate injury.
	NOTICE:	(Without Safety Alert Symbol) Indicates information considered important, but not related to a potential injury (e.g. messages relating to property damage).

Some of the following symbols may be used on this product. Please study them and learn their meaning. Proper interpretation of these symbols will allow you to operate the product better and safer.

SYMBOL	NAME	DESIGNATION/EXPLANATION
	Safety Alert	Indicates a potential personal injury hazard.
	Read Operator's Manual	To reduce the risk of injury, user must read and understand operator's manual before using this product.
	Eye Protection	Always wear eye protection with side shields marked to comply with ANSI Z87.1.
	Wet Conditions Alert	Do not expose to rain or use in damp locations.
	Keep Bystanders Away	Keep all bystanders at least 50 ft. away.
	Ricochet	Thrown objects can ricochet and result in personal injury or property damage.
	No Blade	Do not install or use any type of blade on a product displaying this symbol.
	Recycle Symbol	This product uses lithium-ion (Li-ion) batteries. Local, state, or federal laws may prohibit disposal of batteries in ordinary trash. Consult your local waste authority for information regarding available recycling and/or disposal options.
—	Direct Current	Type or a characteristic of current
n_0	No Load Speed	Rotational speed, at no load
.../min	Per Minute	Revolutions, strokes, surface speed, orbits etc., per minute
V	Volts	Voltage
Hz	Hertz	Frequency (cycles per second)
min	Minutes	Time

FEATURES

KNOW YOUR POWER HEAD

See Figure 1.

The safe use of this product requires an understanding of the information on the tool and in this operator's manual as well as a knowledge of the project you are attempting. Before use of this product, familiarize yourself with all operating features and safety rules.

ADJUSTABLE FRONT HANDLE

The front handle assembly can be adjusted for ease of operation and to help prevent loss of control.

HANDLE OVERMOLD

Handle overmold provides added user comfort.

SPEED SWITCH

This tool has a speed selector that allows the operator to choose between HI and LOW speeds. Using low speed during operation can help extend battery run time, while using high speed will improve power and performance.

TRIGGER LOCK-OUT

The trigger lock-out prevents accidental starting.

VARIABLE SPEED SWITCH TRIGGER

This tool has a variable speed switch that delivers higher speed with increased trigger pressure. Speed is controlled by the amount of switch trigger depression.

ASSEMBLY

UNPACKING

This product requires assembly.

- Carefully remove the product and any accessories from the box. Make sure that all items listed in the packing list are included.

WARNING:

Do not use this product if any parts on the Packing List are already assembled to your product when you unpack it. Parts on this list are not assembled to the product by the manufacturer and require customer installation. Use of a product that may have been improperly assembled could result in serious personal injury.

- Inspect the product carefully to make sure no breakage or damage occurred during shipping.
- Do not discard the packing material until you have carefully inspected and satisfactorily operated the product.
- If any parts are damaged or missing, please call 1-800-860-4050 for assistance.

PACKING LIST

Power Head

Front Handle

Operator's Manual

WARNING:

If any parts are damaged or missing do not operate this product until the parts are replaced. Use of this product with damaged or missing parts could result in serious personal injury.

WARNING:

Do not attempt to modify this product or create accessories not recommended for use with this product. Any such alteration or modification is misuse and could result in a hazardous condition leading to possible serious personal injury.

WARNING:

To prevent accidental starting that could cause serious personal injury, always remove the battery pack from the product when assembling parts.

INSTALLING AN ATTACHMENT TO THE POWER HEAD

See Figure 2.

WARNING:

Read and understand entire Operator's Manual for each optional attachment used on this power head and follow all warnings and instructions. Failure to follow all instructions could result in electric shock, fire and/or serious personal injury.

WARNING:

This 40 V power head is designed to be used only with the attachment models that are specified in this Operator's Manual. It is not designed to be used with brush cutters or other attachment models. Use of other attachments could cause serious personal injuries or property damage.

ASSEMBLY

WARNING:

Never install, remove, or adjust any attachment while power head is running. Failure to stop the motor can cause serious personal injury. Never operate power head without an attachment.

This 40 V power head may be used with only the following Ryobi Expand-It attachments:

- RY15518, RYEDG11, and RYEDG12 Edgers
- RY15519, RYBLW22, and RYAXA22 Blowers
- RY15523, RY15523A and RYSST44 Straight Shaft String Trimmers
- RY15525 and RYCST55 Curved Shaft String Trimmers
- RY15550 and RYTIL66 Cultivators
- RY15520 and RYPRN33 Pruners
- RYSNW00 Snow Thrower
- RYSWP25 Sweeper

The attachment connects to the power head by means of a coupler device.

- Stop the motor and remove the battery pack.
- Loosen the knob on the coupler of the power head shaft and remove the end cap from the attachment.
- Push in the button located on the attachment shaft. Align the button with the guide recess on the power head coupler and slide the two shafts together. Rotate the attachment shaft until the button locks into the positioning hole.

NOTE: If the button does not release completely in the positioning hole, the shafts are not locked into place. Slightly rotate from side to side until the button is locked into place.

- Tighten the knob securely.

WARNING:

Be certain the knob is fully tightened before operating equipment; check it periodically for tightness during use to avoid serious personal injury.

REMOVING THE ATTACHMENT FROM THE POWER HEAD

- Stop the motor and remove the battery pack.
- Loosen the knob.
- Push in the button and twist the shafts to remove and separate ends.

ATTACHING THE FRONT HANDLE

See Figure 3.

- Loosen and remove the wing bolt and washer from the handle.
- Install the handle on the power head shaft in the area indicated by the illustration.
- Adjust handle up or down, if necessary, to desired operating position.
- Reinstall the washer and wing bolt. Tighten wing bolt to secure.

OPERATION

WARNING:

Read and understand entire Operator's Manual for each optional attachment used on this power head and follow all warnings and instructions. Failure to follow all instructions could result in electric shock, fire and/or serious personal injury.

WARNING:

Do not allow familiarity with products to make you careless. Remember that a careless fraction of a second is sufficient to inflict serious injury.

WARNING:

Always wear eye protection with side shields marked to comply with ANSI Z87.1. Hearing and/or head protection may also be required depending on the type of attachment used and as prescribed in the attachment's Operator's Manual. Failure to do so could result in objects being thrown into your eyes and other possible serious injuries.

WARNING:

Do not use any attachments or accessories not recommended by the manufacturer of this product. The use of attachments or accessories not recommended can result in serious personal injury.

OPERATION

NOTICE:

Before each use, inspect the entire product for damaged, missing, or loose parts such as screws, nuts, bolts, caps, etc. Tighten securely all fasteners and caps and do not operate this product until all missing or damaged parts are replaced. Please contact customer service or a qualified service center for assistance.

WARNING:

Always remove battery pack from your tool when you are assembling parts, making adjustments, cleaning, or when not in use. Removing battery pack will prevent accidental starting that could cause serious personal injury.

INSTALLING/REMOVING BATTERY PACK

See Figure 4.

To install battery pack:

- Place the battery pack in the power head. Align raised ribs on battery pack with grooves in the power head's battery port.

WARNING:

Make sure the latch on the bottom of the battery pack snaps in place and the battery pack is fully seated and secure in the power head battery port before beginning operation. Failure to securely seat the battery pack could cause the battery pack to fall out, resulting in serious personal injury.

To remove battery pack:

- Press and hold the battery latch button at the bottom of the battery pack.
- Remove battery pack from the power head.

For complete charging instructions, refer to the Operator's Manuals for your RYOBI battery pack and charger models.

WARNING:

To avoid serious personal injury, always remove the battery pack and keep hands clear of the trigger lock-out when carrying or transporting the tool.

ADJUSTING THE FRONT HANDLE

See Figure 5.

The angle of the front handle can be adjusted 180°.

- Remove the battery pack.
- Set the power head on a flat surface and turn the knob counterclockwise to loosen the handle.
- Adjust the handle as desired.
- Turn the knob clockwise until the handle is securely tightened before reinstalling the battery pack.

STARTING/STOPPING THE POWER HEAD

See Figure 6.

To start:

- Select the desired operating speed (HI or LOW).
- Press and hold the trigger lock-out.
- Depress the switch trigger.

To stop:

- Release the switch trigger to stop the power head.
- Upon release of the switch trigger, the trigger lock-out will automatically reset to the locked position.

OPERATING THE POWER HEAD

See Figures 7 - 12.

Hold the power head with your right hand on the rear handle and your left hand on the front handle. Keep a firm grip with both hands while in operation. Power head should be held at a comfortable position with the rear handle about hip height.

Always operate power head with switch trigger completely depressed. If debris becomes wrapped around the attachment, **RELEASE THE SWITCH TRIGGER**, remove the battery pack, and remove the debris.

WARNING:

Always hold the power head away from the body keeping clearance between the body and the tool. Any contact with an attachment cutting head can result in burns and/or other serious personal injury.

WARNING:

Extreme care must be taken when using a blade attachment to ensure safe operation. Read the safety information for safe operation when using a blade attachment and refer to the safety rules and instructions in your attachment manual. Never use a brush cutter attachment with this power head. Improper operation of a blade or any attachment could result in serious injury.

MAINTENANCE

WARNING:

To avoid serious personal injury, always remove the battery pack from the tool when cleaning or performing any maintenance.

WARNING:

Always wear eye protection with side shields marked to comply with ANSI Z87.1. Hearing and/or head protection may also be required depending on the type of attachment used and as prescribed in the attachment's Operator's Manual. Failure to do so could result in objects being thrown into your eyes and other possible serious injuries.

WARNING:

When servicing, use only identical replacement parts. Use of any other parts can create a hazard or cause product damage.

NOTICE:

Periodically inspect the entire product for damaged, missing, or loose parts such as screws, nuts, bolts, caps, etc. Tighten securely all fasteners and caps and do not operate this product until all missing or damaged parts are replaced. Please contact customer service or a qualified service center for assistance.

GENERAL MAINTENANCE

Avoid using solvents when cleaning plastic parts. Most plastics are susceptible to damage from various types of commercial solvents and may be damaged by their use. Use clean cloths to remove dirt, dust, oil, grease, etc.

WARNING:

Do not at any time let brake fluids, gasoline, petroleum-based products, penetrating oils, etc., come in contact with plastic parts. Chemicals can damage, weaken or destroy plastic which can result in serious personal injury.

CLEANING THE POWER HEAD

- Stop the motor and remove the battery pack.
- Clean dirt and debris from the power head using a damp cloth with a mild detergent.

NOTICE:

Do not use any strong detergents on the plastic housing or the handle. They can be damaged by certain aromatic oils such as pine and lemon, and by solvents such as kerosene.

STORING THE POWER HEAD

- Remove the battery pack from the power head before storing.
- Clean all foreign material from the power head.
- Store it in a place that is inaccessible to children.
- Keep away from corrosive agents such as garden chemicals and de-icing salts.

TROUBLESHOOTING

PROBLEM	POSSIBLE CAUSE	SOLUTION
Motor fails to start when switch trigger is depressed.	Battery is not secure.	To secure the battery pack, make sure the latch on the bottom of the battery pack is snapped into place.
	Battery is not charged.	Charge the battery pack according to the instructions included with your model.

WARRANTY

LIMITED WARRANTY STATEMENT

Techtronic Industries North America, Inc., warrants to the original retail purchaser that this RYOBI™ brand outdoor product is free from defect in material and workmanship and agrees to repair or replace, at Techtronic Industries North America, Inc.'s, discretion, any defective product free of charge within these time periods from the date of purchase.

- Five years if the product is used for personal, family or household use;
- 90 days, if used for any other purpose, such as commercial or rental.

This warranty extends to the original retail purchaser only and commences on the date of the original retail purchase.

Any part of this product found in the reasonable judgment of Techtronic Industries North America, Inc. to be defective in material or workmanship will be repaired or replaced without charge for parts and labor by an authorized service center for RYOBI™ brand outdoor products (Authorized Ryobi Service Center).

The product, including any defective part, must be returned to an authorized Ryobi service center within the warranty period. The expense of delivering the product to the service center for warranty work and the expense of returning it back to the owner after repair or replacement will be paid by the owner. Techtronic Industries North America, Inc.'s, responsibility in respect to claims is limited to making the required repairs or replacements and no claim of breach of warranty shall be cause for cancellation or rescission of the contract of sale of any RYOBI™ brand outdoor product. Proof of purchase will be required by the dealer to substantiate any warranty claim. All warranty work must be performed by an authorized service dealer.

This warranty is limited to ninety (90) days from the date of original retail purchase for any RYOBI™ brand outdoor product that is used for rental or commercial purposes, or any other income-producing purpose.

This warranty does not cover any product that has been subject to misuse, neglect, negligence, or accident, or that has been operated in any way contrary to the operating instructions as specified in this operator's manual. This warranty does not apply to any damage to the product that is the result of improper maintenance or to any product that has been altered or modified. The warranty does not extend to repairs made necessary by normal wear or by the use of parts or accessories which are either incompatible with the RYOBI™ brand outdoor product or adversely affect its operation, performance, or durability. In addition, this warranty does not cover:

- A. Tune-ups – Spark Plugs, Carburetor, Carburetor Adjustments, Ignition, Filters
- B. Wear items – Bump Knobs, Outer Spools, Cutting Lines, Inner Reels, Starter Pulleys, Starter Ropes, Drive Belts, Tines, Felt Washers, Hitch Pins, Mulching Blades, Blower Fans, Blower and Vacuum Tubes, Vacuum Bag and Straps, Guide Bars, Saw Chains

Techtronic Industries North America, Inc., reserves the right to change or improve the design of any RYOBI™ brand outdoor product without assuming any obligation to modify any product previously manufactured.

ALL IMPLIED WARRANTIES ARE LIMITED IN DURATION TO THE STATED WARRANTY PERIOD. ACCORDINGLY, ANY SUCH IMPLIED WARRANTIES INCLUDING MERCHANTABILITY, FITNESS FOR A PARTICULAR PURPOSE, OR OTHERWISE, ARE DISCLAIMED IN THEIR ENTIRETY AFTER THE EXPIRATION OF THE APPROPRIATE FIVE-YEAR OR NINETY-DAY WARRANTY PERIOD. TECHTRONIC INDUSTRIES NORTH AMERICA, INC.'S, OBLIGATION UNDER THIS WARRANTY IS STRICTLY AND EXCLUSIVELY LIMITED TO THE REPAIR OR REPLACEMENT OF DEFECTIVE PARTS AND TECHTRONIC INDUSTRIES NORTH AMERICA, INC., DOES NOT ASSUME OR AUTHORIZE ANYONE TO ASSUME FOR THEM ANY OTHER OBLIGATION. SOME STATES DO NOT ALLOW LIMITATIONS ON HOW LONG AN IMPLIED WARRANTY LASTS, SO THE ABOVE LIMITATION MAY NOT APPLY TO YOU. TECHTRONIC INDUSTRIES NORTH AMERICA, INC., ASSUMES NO RESPONSIBILITY FOR INCIDENTAL, CONSEQUENTIAL, OR OTHER DAMAGES INCLUDING, BUT NOT LIMITED TO, EXPENSE OF RETURNING THE PRODUCT TO AN AUTHORIZED RYOBI SERVICE CENTER AND EXPENSE OF DELIVERING IT BACK TO THE OWNER, MECHANIC'S TRAVEL TIME, TELEPHONE OR TELEGRAM CHARGES, RENTAL OF A LIKE PRODUCT DURING THE TIME WARRANTY SERVICE IS BEING PERFORMED, TRAVEL, LOSS OR DAMAGE TO PERSONAL PROPERTY, LOSS OF REVENUE, LOSS OF USE OF THE PRODUCT, LOSS OF TIME, OR INCONVENIENCE. SOME STATES DO NOT ALLOW THE EXCLUSION OR LIMITATION OF INCIDENTAL OR CONSEQUENTIAL DAMAGES, SO THE ABOVE LIMITATION OR EXCLUSION MAY NOT APPLY TO YOU.

This warranty gives you specific legal rights, and you may also have other rights which vary from state to state.

This warranty applies to all RYOBI™ brand outdoor products manufactured by or for Techtronic Industries North America, Inc., and sold in the United States and Canada.

To locate your nearest Authorized Ryobi Service Center, dial 1-800-860-4050.

INSTRUCTIONS IMPORTANTES CONCERNANT LA SÉCURITÉ

AVERTISSEMENT !

Lors de l'utilisation d'outils de jardinage, toujours suivre les consignes de sécurité de base pour éviter les risques d'incendie, d'électrocution et de blessures.

LIRE TOUTES LES INSTRUCTIONS

- Pour travailler en toute sécurité, lire et veiller à bien comprendre toutes les instructions avant d'utiliser ce produit. Respecter toutes les instructions de sécurité. Le non respect des instructions de sécurité ci-dessous peut entraîner des blessures graves.
- Ne pas laisser des enfants ou personnes n'ayant pas reçu une formation adéquate utiliser cet produit.
- Déblayer la zone de travail avant chaque utilisation. La débarrasser de tous les objets tels que cailloux, verre brisé, clous, fils métalliques, cordes, etc. risquant d'être projetés ou de se prendre dans la ligne de coupe ou la lame.
- Toujours porter une protection oculaire avec écrans latéraux certifiée conforme à la norme ANSI Z87.1. Le respect de cette règle réduira les risques de blessures graves.
- Utiliser les lunettes de sûreté — Toujours la visage d'usage ou le masque de poussière si l'opération est poussiéreuse.
- Protection respiratoire. Porter un masque facial ou un masque antipoussière si le travail produit de la poussière. Le respect de cette consigne réduira les risques de blessures graves.
- Porter des vêtements appropriés — On recommande d'utiliser des gants de caoutchouc et des chaussures solides pour le travail à l'extérieur. Porter des pantalons longs, manches longue, des chaussures et des gants épais. Ne pas porter de vêtements amples, bijoux, shorts, sandales et ne pas travailler pieds nus. Ils peuvent être pris dans les parties en mouvement. Attacher les cheveux longs pour les maintenir au-dessus des épaules, afin qu'ils ne se prennent pas dans les pièces en mouvement.
- Tenir les enfants éloignés — Ranger les appareils qui ne sont pas utilisés — Garder les badauds, enfants et animaux à une distance de 15 m (50 pi) minimum.
- Rester alerte — Se concentrer sur son travail. Faire preuve de bon sens. Ne pas utiliser ce taille-bordures en état de fatigue, si l'on est souffrant, si vous êtes bouleversé, ou sous l'influence de l'alcool, de drogues ou de médicaments.
- Ne pas travailler sous un éclairage insuffisant.
- Garder toutes les parties du corps à l'écart des pièces en mouvement.
- Ne pas utiliser d'outils électriques dans des atmosphères explosives, par exemple en présence de liquides, gaz ou poussières inflammables. Les outils électriques produisent des étincelles risquant d'enflammer les poussières ou vapeurs.
- Éviter les environnements dangereux — Ne pas exposer le appareil à la pluie ou l'humidité. La pénétration d'eau dans ces outils accroît le risque de choc électrique.
- Utiliser les appareils appropriés — Ne pas utiliser l'outil pour une tâche pour laquelle il n'est pas conçu.
- Ne pas forcer appareil — Un produit approprié exécutera le travail mieux et de façon moins dangereuse s'il fonctionne dans les limites prévues.
- Ne pas faire fonctionner l'équipement pied-nu ou en portant des sandales ou des chaussures légères similaires. Porter des chaussures de protection qui protègent vos pieds et améliorent votre équilibre sur des surfaces glissantes.
- Ne pas exagérer en se courbant ou en s'étirant. Se tenir bien campé et en équilibre. Cette façon de travailler pourrait vous faire perdre l'équilibre.
- Éviter les démarrages accidentels. S'assurer que la gâchette est verrouillée en position d'arrêt avant d'insérer le bloc piles. Le transport d'outils avec le doigt sur le commutateur ou l'insertion du bloc piles avec le commutateur en position de marche est une invite aux accidents.
- Ne pas utiliser l'produit si le commutateur ne permet pas de le mettre en marche et de l'arrêter. Tout produit qui ne peut pas être contrôlé par son commutateur est dangereux et doit être réparé.
- Débrancher le bloc moteur — Débrancher le bloc-piles de l'appareil avant de le ranger, d'effectuer l'entretien ou changer d'accessoire comme le fil de coupe. Ces mesures de sécurité réduisent les risques de démarrage accidentel de l'outil.
- Utiliser exclusivement des pièces de rechange et accessoire d'origine. L'usage de toute autre pièce pourrait créer une situation dangereuse ou endommager l'produit.
- Entretenir soigneusement l'appareil — Si la tête de coupe est fendue, brisée ou endommagée de quelque façon que ce soit, la remplacer. S'assurer que la tête de coupe ou la lame est correctement installée et solidement assujettie. S'il ne le sont pas, l'opérateur court des risques de blessures graves. Suivre les instructions pour la lubrification et le changement d'accessoires. Vérifier régulièrement le cordon du chargeur. S'il est endommagé, il doit être remplacé. Garder le poignées de la bloc moteur secs, propres et exempts d'huile ou de graisse.
- Vérifier l'état des pièces — Avant d'utiliser l'appareil de nouveau examiner soigneusement les pièces et dispositifs de protection qui semblent endommagés afin de déterminer s'ils fonctionnent correctement et s'ils remplissent les fonctions prévues. Vérifier l'alignement des pièces mobiles, s'assurer qu'aucune pièce n'est bloquée ou cassée, vérifier la fixation de chaque pièce et s'assurer qu'aucun autre problème ne risque d'affecter le bon fonctionnement de l'outil. La réparation ou le remplacement du dispositif de protection ou de toute autre pièce doivent être confiés à un centre de réparations autorisé, sauf indication contraire dans le présent manuel.
- Éloigner les mains et les pieds de la zone de coupe.
- S'assurer que tous les dispositifs de protection, déflecteurs d'herbe et poignées sont correctement installés et solidement assujettis.
- Utiliser exclusivement des lignes de coupe d'origine si l'on d'utiliser l'accessoire taille-bordures. Ne pas utiliser un autre accessoire de coupe, tel que fil métallique, corde, ou autre. L'utilisation d'une tête de coupe d'autre marque sur cette tondeuse à fouet peut entraîner des blessures graves.




INSTRUCTIONS IMPORTANTES CONCERNANT LA SÉCURITÉ

- Ne jamais utiliser l'appareil si le protecteur n'est pas en place et en bon état.
- Tenir fermement les deux poignées pendant le travail. Tenir la tête de coupe au-dessous du niveau de la taille. Ne jamais tailler avec la tête de coupe à plus de 762 mm (30 po) du sol.
- Éloigner toute partie du corps des chaînes de scie. Ne retirer les matériaux coincés ou suspendus ou de les tenir lorsque les lames sont en mouvement. S'assurer que l'interrupteur est à la position OFF (éteint) lorsque l'on déloge les débris de matériaux. La scie à chaîne continue de bouger après que l'interrupteur est éteint. Un moment d'inattention pendant l'utilisation de l'élagueur à portée prolongée peut occasionner une blessure grave.
- Transporter l'élagueur à portée prolongée par la poignée, la scie à chaîne éteinte. Lors du transport ou du rangement de l'élagueur à portée prolongée, toujours installer le protecteur de scie à chaîne. Une bonne manutention de l'élagueur à portée prolongée réduit les risques de blessures graves pouvant être causées par la scie à chaîne.
- Entreposer les outils à l'intérieur — Quand pas dans l'usage, bloc moteur et l'accessoires devrait être emmagasiné à la maison dans un sec, fermé à clef la remiser dans un endroit inaccessible aux enfants.
- Ne jamais utiliser de dispositifs à fléau, fil et cordes sur une tout accessoire.
- Examiner la surface à tondre. Retirer tous les objets (roches, verre brisé, clous, câble, corde etc.) qui peuvent être projetés dans les airs ou qui peuvent s'emmêler dans la tête de coupe.
- S'assurer que les événements d'aération sont propres et exempts de débris afin d'éviter que le moteur ne surchauffe. Les nettoyer après chaque utilisation.
- Arrêter l'appareil et le débrancher de la source d'alimentation lorsqu'il n'est pas utilisé. Attendre l'arrêt complet du moteur avant de déplacer l'appareil.
- Ranger l'appareil en s'assurant qu'il est débranché et qu'il est hors de la portée des enfants.
- Ne pas suspendre l'appareil d'une façon qui enclencherait la gâchette.
- Les outils fonctionnant sur piles n'ayant pas besoin d'être branchés sur une prise de courant, ils sont toujours en état de fonctionnement. Tenir compte des dangers possibles lorsque l'appareil n'est pas en usage et lors du remplacement des piles. Le respect de cette consigne réduira les risques d'incendie, de choc électrique et de blessures graves.
- Ne pas recharger un produit fonctionnant sur piles dans un endroit la pluie ou humide ou mouillé. Le respect de cette règle réduira les risques de choc électrique.
- Ne pas utiliser un appareil alimenté par pile sous la pluie.
- Ne pas soulever ou tenir l'outil par les lames ou les tranchants exposés.
- S'assurer que l'appareil n'est pas utilisé comme un jouet. Une surveillance étroite est impérative lorsqu'il est utilisé par des enfants ou à leur proximité.
- Ne pas manipuler le chargeur, la fiche du chargeur et les bornes du chargeur avec des mains humides.
- Redoubler de prudence lors de l'utilisation dans des escaliers.
- Retirer ou débrancher la pile avant l'entretien ou le nettoyage de l'appareil de jardin ou avant d'en retirer des matériaux.
- Pour utiliser l'appareil avec des piles au lithium-ion de 40 V. Voir « Consignes de sécurité relatives à l'outil, appareil, à la pile et au chargeur supplémentaire » 988000-842.
- Ne pas jeter les piles au feu. La cellule peut exploser. Vérifier les codes locaux pour connaître toute instruction spéciale relative à l'élimination des piles.
- Ne pas altérer le bloc piles. L'électrolyte est un produit corrosif pouvant causer des lésions cutanées ou oculaires. Il peut être toxique en cas d'ingestion.
- Ne pas placer les outils électriques sans fil ou leurs piles à proximité de flammes ou d'une source de chaleur. Ceci réduira les risques d'explosion et de blessures.
- Les piles peuvent exploser en présence d'une source d'allumage, telle qu'une veilleuse. Pour réduire les risques de blessures graves, ne jamais utiliser un appareil sans fil, quel qu'il soit, en présence d'une flamme vive. En explosant, une pile peut projeter des débris et des produits chimiques. En cas d'exposition, rincer immédiatement les parties atteintes avec de l'eau.
- Ne pas écraser, faire tomber ou endommager le bloc piles. Ne jamais utiliser un bloc piles ou un chargeur qui est tombé, a été écrasé, a reçu un choc violent ou a été endommagé de quelque façon que ce soit. Une pile endommagée risque d'exploser. Éliminer immédiatement toute pile endommagée, selon une méthode appropriée.
- Manipuler les piles avec soin pour éviter des courts circuits avec des objets conducteurs comme des anneaux, des bracelets et des clés. La pile ou l'objet conducteur peuvent surchauffer et causer des brûlures.
- Si l'appareil est utilisé de façon intensive ou sous des températures extrêmes, des fuites de pile peuvent se produire. En cas de contact du liquide avec la peau, rincez immédiatement la partie atteinte avec de l'eau savonneuse, puis neutralisez avec du jus de citron ou du vinaigre. En cas d'éclaboussure dans les yeux, rincez-les à l'eau fraîche pendant au moins 10 minutes, puis contactez immédiatement un médecin. Le respect de cette consigne réduira les risques de blessures graves.
- Conserver ces instructions. Les consulter fréquemment et les utiliser pour instruire les autres utilisateurs éventuels. Si cet produit est prêté, il doit être accompagné de ces instructions.










CONSULTER LE MANUEL D'UTILISATION DE L'ACCESSOIRE EN QUESTION AFIN DE PRENDRE CONNAISSANCE DES RÈGLES DE SÉCURITÉ SUPPLÉMENTAIRES

SYMBOLES

Les termes de mise en garde suivants et leur signification ont pour but d'expliquer le degré de risques associé à l'utilisation de ce produit.

SYMBOLE	SIGNAL	SIGNIFICATION
	DANGER :	Indique une situation dangereuse qui, si elle n'est pas évitée, aura pour conséquences des blessures graves ou mortelles.
	AVERTISSEMENT :	Indique une situation dangereuse qui, si elle n'est pas évitée, pourrait entraîner des blessures graves ou mortelles.
	ATTENTION :	Indique une situation dangereuse qui, si elle n'est pas évitée, pourrait entraîner des blessures légères ou de gravité modérée.
	AVIS :	(Sans symbole d'alerte de sécurité) Indique les informations jugées importantes sans toutefois représenter un risque de blessure (ex. : messages concernant les dommages matériels).

Certains des symboles ci-dessous peuvent être utilisés sur produit. Veiller à les étudier et à apprendre leur signification. Une interprétation correcte de ces symboles permettra d'utiliser produit plus efficacement et de réduire les risques.

SYMBOLE	NOM	DÉSIGNATION / EXPLICATION
	Symbole d'alerte de sécurité	Indique un risque de blessure potentiel.
	Lire manuel d'utilisation	Pour réduire les risques de blessures, l'utilisateur doit lire et veiller à bien comprendre le manuel d'utilisation avant d'utiliser ce produit.
	Protection oculaire	Toujours porter une protection oculaire avec écrans latéraux certifiée conforme à la norme ANSI Z87.1.
	Avertissement concernant l'humidité	Ne pas exposer à la pluie ou l'humidité.
	Ne laisser personne s'approcher	Garder les badauds à une distance de 15 m (50 pi) minimum.
	Danger de ricochet	Ne pas utiliser le coupe-bordures sans le protecteur. Rester éloigné de la tête de coupe rotative.
	Ne pas utiliser de lame	Ne jamais utiliser une lame quelconque sur un outil portant ce symbole.
	Symbole de recyclage	Ce produit utilise les piles de lithium-ion (Li-ion). Les réglementations locales ou gouvernementales peuvent interdire de jeter les piles dans les ordures ménagères. Consulter les autorités locales compétentes pour les options de recyclage et/ou l'élimination.
	Courant continu	Type ou caractéristique du courant
n_0	Vitesse à vide	Vitesse de rotation à vide
.../min	Par minute	Tours, coups, vitesse périphérique, orbites, etc., par minute
V	Volts	Tension
Hz	Hertz	Fréquence (cycles par seconde)
min	Minutes	Temps

CARACTÉRISTIQUES

VEILLER À BIEN CONNAÎTRE LA BLOC MOTEUR

Voir la figure 1.

L'utilisation sûre de ce produit exige une compréhension des renseignements figurant sur l'produit et contenus dans le manuel d'utilisation, ainsi qu'une bonne connaissance du projet entrepris. Avant d'utiliser ce produit, se familiariser avec toutes ses caractéristiques et règles de sécurité.

POIGNÉE AVANT RÉGLABLE

L'ensemble poignée avant peut être réglé pour faciliter l'utilisation et prévenir les pertes de contrôle.

SURMOULAGE POIGNÉE

Le surmoulage poignée procure un confort d'utilisation plus grand.

INTERRUPTEUR DE VITESSE

Cet outil est équipé d'un sélecteur de vitesse permettant à l'opérateur de choisir entre une vitesse élevée ou basse. Une vitesse basse lors de l'opération peut aider à prolonger la durée de vie de la pile alors que la vitesse élevée améliorera la puissance et la performance.

GÂCHETTE AVEC VERROU

Le gâchette avec verrou prévient les démarrages accidentels.

GÂCHETTE DE COMMANDE DE VITESSE VARIABLE

Cet outil est doté d'une gâchette de commande de vitesse sensible à la pression. La vitesse est contrôlée par la pression exercée sur la gâchette.

ASSEMBLAGE

DÉBALLAGE

Ce produit nécessite un assemblage.

- Avec précaution, sortir l'produit et les accessoires de la boîte. S'assurer que toutes les pièces figurant sur la liste de contrôle sont incluses.

AVERTISSEMENT :

Ne pas utiliser le produit si, en le déballant, vous constatez que des éléments figurant dans la Liste de contrôle d'expédition sont déjà assemblés. Certaines pièces figurant sur cette liste n'ont pas été assemblées par le fabricant et exigent une installation. Le fait d'utiliser un produit qui a été assemblé de façon inadéquate peut entraîner des blessures.

- Examiner soigneusement l'produit pour s'assurer que rien n'a été brisé ou endommagé en cours de transport.
- Ne pas jeter les matériaux d'emballage avant d'avoir soigneusement examiné l'produit et avoir vérifié qu'il fonctionne correctement.
- Si des pièces manquent ou sont endommagées, appeler le 1-800-860-4050.

LISTE DE CONTRÔLE D'EXPÉDITION

Bloc moteur

Poignée avant

Manuel d'utilisation

AVERTISSEMENT :

Si des pièces manquent ou sont endommagées, ne pas utiliser cet produit avant qu'elles aient été remplacées. Le non-respect de cet avertissement pourrait entraîner des blessures graves.

AVERTISSEMENT :

Ne pas essayer de modifier cet produit ou de créer des accessoires non recommandés pour l'produit. De telles altérations ou modifications sont considérées comme un usage abusif et peuvent créer des conditions dangereuses, risquant d'entraîner des blessures graves.

AVERTISSEMENT :

Toujours retirer le bloc-piles du produit ou le débrancher de l'alimentation électrique lors de l'assemblage des pièces pour prévenir le démarrage accidentel pouvant causer des blessures graves.

INSTALLATION DE L'ACCESSOIRE DU BLOC MOTEUR

Voir la figure 2.

AVERTISSEMENT :

Lire et veiller à bien comprendre tout le manuel d'utilisation de chaque accessoire facultatif employé avec l'ensemble moteur et respecter tous les avertissements et toutes les instructions. Le non-respect de l'ensemble des instructions peut entraîner une décharge électrique, un incendie et des blessures graves.

ASSEMBLAGE

AVERTISSEMENT :

Cet ensemble moteur de 40V est conçu pour être utilisé uniquement avec des modèles d'accessoires qui sont mentionnés dans le présent manuel d'utilisation. Il n'est pas compatible avec des débroussailluses ou d'autres modèles d'accessoires. Le fait d'utiliser d'autres accessoires peut entraîner des blessures graves ou des dommages matériels.

AVERTISSEMENT :

Ne jamais installer, retrait ou ajuster un accessoire lorsque le moteur tourne. Ceci pourrait causer des blessures graves. Ne jamais faire fonctionner le bloc moteur si aucun accessoire n'y est fixé.

Cet ensemble moteur de 40V ne peut être utilisé qu'avec les accessoires Expand-It Ryobi suivants :

- Coupe-bordures - RY15518, RYEDG11 et RYEDG12
- Soufflantes - RY15519, RYBLW22 et RYAXA22
- Taille-bordures à arbre droit - RY15523, RY15523A et RYSST44
- Taille-bordures à arbre courbe - RY15525 et RYCST55
- Cultivateurs - RY15550 et RYTIL66
- Élagueuse - RY15520 et RYPRN33
- Souffleuse à neige - RYSNW00
- Balai - RYSWP25

L'accessoire se raccorde au bloc-moteur à l'aide d'un dispositif de couplage.

- Arrêter le moteur et retirer le bloc-piles.
- Desserrer le bouton du coupleur et retirer le capuchon d'extrémité de l'accessoire.

- Appuyer sur le bouton se trouvant sur l'arbre de l'accessoire. Aligner le bouton sur la rainure guide du bloc moteur et emboîter les deux arbres. Tourner l'arbre de l'accessoire jusqu'à ce que le bouton s'enclenche dans le trou de positionnement.

NOTE : Si le bouton ne s'engage pas complètement dans le trou de positionnement, les tubes ne sont pas solidement maintenus l'un dans l'autre. Tourner légèrement les tubes dans les deux sens jusqu'à ce que le bouton s'engage complètement.

- Serrer le bouton fermement.

AVERTISSEMENT :

S'assurer que le bouton est bien serré avant d'utiliser l'outil et le vérifier de temps à autre pour éviter le risque de blessures graves.

RETRAIT DE L'ACCESSOIRE DU BLOC MOTEUR

- Arrêter le moteur et débrancher le fil de la bougie.
- Desserrer le bouton.
- Enfoncer le bouton et tourner les tubes pour les séparer.

INSTALLATION DE LA POIGNÉE AVANT

Voir la figure 3.

- Desserrer et retirer le boulon à oreilles et rondelle de la poignée.
- Installer la poignée sur l'arbre du bloc moteur dans l'espace indiqué sur la figure.
- Ajuster la poignée vers le haut ou vers le bas, si nécessaire, à la position d'opération désirée.
- Réinstaller le rondelle et le boulon à oreilles. Serrer le boulon à oreilles de manière à le fixer solidement.

UTILISATION

AVERTISSEMENT :

Lire et veiller à bien comprendre tout le manuel d'utilisation de chaque accessoire facultatif employé avec l'ensemble moteur et respecter tous les avertissements et toutes les instructions. Le non-respect de l'ensemble des instructions peut entraîner une décharge électrique, un incendie et des blessures graves.

AVERTISSEMENT :

Ne pas laisser la familiarité avec le produit faire oublier la prudence. Ne pas oublier qu'une fraction de seconde d'inattention peut entraîner des blessures graves.

AVERTISSEMENT :

Toujours porter une protection oculaire avec écrans latéraux certifiée conforme à la norme ANSI Z87.1 protection auditive. Selon le type d'accessoire utilisé et comme il est indiqué dans le manuel d'utilisation de l'accessoire en question, un casque de protection et une protection auditive peut être nécessaire. Si cette précaution n'est pas prise, des objets peuvent être projetés dans les yeux et d'autres lésions graves.

AVERTISSEMENT :

Ne pas utiliser d'outils ou accessoires non recommandés pour cet outil. L'utilisation de pièces et accessoires non recommandés peut entraîner des blessures graves.

UTILISATION

AVIS :

Inspecter périodiquement au complet le produit afin de s'assurer qu'aucune pièce (vis, écrous, boulons, chapeaux, etc.) n'est endommagée, manquante ou desserrée. Serrer solidement toutes les pièces de fixation et les chapeaux et ne pas utiliser le produit tant que toutes les pièces manquantes ou endommagées n'ont pas été remplacées. Pour obtenir de l'aide, communiquer avec le service à la clientèle ou un centre de réparations qualifié.

AVERTISSEMENT :

Toujours retirer la pile de l'outil au moment d'assembler des pièces, d'effectuer des réglages et de procéder au nettoyage, ou lorsque l'outil n'est pas utilisé. Le fait de retirer la pile permet d'empêcher un démarrage accidentel pouvant entraîner des blessures graves.

INSTALLATION/RETRAIT DU BLOC-PILES

Voir la figure 4.

Installer le bloc-piles :

- Placer la pile dans le bloc moteur. Aligner la nervure en saillie du bloc-piles sur la rainure du logement du bloc moteur.

AVERTISSEMENT :

S'assurer que le loquet au bas du bloc-piles s'enclenche et que le bloc-piles est installé et fixé correctement au bloc moteur avant de commencer le travail. Ne pas installer et fixer correctement le bloc-piles peut provoquer la chute de ce dernier et occasionner des blessures graves.

Retirer le bloc-piles :

- Appuyer et maintenir enfoncé le bouton du loquet du bloc-piles situé au bas du bloc-piles.
- Retirer le bloc-piles du bloc moteur.

Pour prendre connaissance de l'ensemble des instructions relatives à la charge, consulter les manuels d'utilisation des batteries de RYOBI et des modèles de chargeur connexes.

AVERTISSEMENT :

Pour éviter des blessures graves, toujours retirer le bloc-piles et tenir à distance de mains le gâchette avec verrou en portant l'outil.

POIGNÉE AVANT RÉGLABLE

Voir la figure 5.

La poignée avant peut être réglée à un angle de 180 °.

- Retirer le bloc-piles.
- Déposer le bloc moteur sur une surface plane et tourner le bouton dans le sens antihoraire pour desserrer la poignée.
- Régler la position de la poignée, comme désiré.
- Tourner le bouton dans le sens horaire jusqu'à ce que la poignée soit serrée solidement avant de réinstaller la pile.

MISE EN MARCHÉ ET ARRÊT DU BLOC

MOTEUR

Voir la figure 6.

Pour démarrer :

- Choisir la vitesse de fonctionnement désirée (ÉLEVÉE ou BASSE [HI ou LOW]).
- Maintenir le gâchette avec verrou enfoncé.
- Appuyer sur la gâchette.

Pour arrêter :

- Pour arrêter le bloc moteur, relâcher la gâchette.
- Lorsque la gâchette est relâchée, le gâchette avec verrou se remet automatiquement en position verrouillée.

UTILISATION DU BLOC MOTEUR

Voir les figures 7 à 12.

Tenir le bloc moteur avec la main droite sur la poignée arrière et la main gauche sur la poignée avant. Garder une prise ferme sur les deux poignées pendant le fonctionnement. Le bloc-moteur doit être tenu dans une position confortable, la poignée arrière se trouvant à peu près à hauteur de la taille.

Toujours faire fonctionner le bloc moteur à pleine puissance. Si des débris s'enroulent autour de l'accessoire, RELÂCHER LA GÂCHETTE, retirer le bloc-piles et retirer les débris.

AVERTISSEMENT :

Toujours tenir bloc moteur à l'écart de soi en maintenant une distance de sécurité entre le corps et l'équipement. Tout contact avec la tête de coupe de l'accessoire peut causer des brûlures et / ou d'autres blessures graves.

AVERTISSEMENT :

Lorsqu'une accessoire de lame est utilisée, il est impératif de faire preuve de la plus extrême prudence pour assurer la sécurité. Lire les instruction de sécurité de la accessoire de lame et consulter les règles de sécurité et les instructions figurant dans le manuel d'utilisation de l'accessoire. Des utilisations abusives d'une lame ou de tout attachement peut entraîner des blessures graves.

ENTRETIEN

⚠ AVERTISSEMENT :

Pour empêcher un démarrage accidentel pouvant entraîner des blessures graves, toujours retirer le bloc de batterie de l'outil avant tout nettoyage ou entretien.

⚠ AVERTISSEMENT :

Toujours porter une protection oculaire avec écrans latéraux certifiée conforme à la norme ANSI Z87.1 protection auditive. Selon le type d'accessoire utilisé et comme il est indiqué dans le manuel d'utilisation de l'accessoire en question, un casque de protection et un protection auditive peut être nécessaire. Si cette précaution n'est pas prise, des objets peuvent être projetés dans les yeux et d'autres lésions graves.

⚠ AVERTISSEMENT :

Utiliser exclusivement des pièces d'origine pour les réparations. L'usage de toute autre pièce pourrait créer une situation dangereuse ou endommager l'produit.

AVIS :

Inspecter périodiquement au complet le produit afin de s'assurer qu'aucune pièce (vis, écrous, boulons, chapeaux, etc.) n'est endommagée, manquante ou desserrée. Serrer solidement toutes les pièces de fixation et les chapeaux et ne pas utiliser le produit tant que toutes les pièces manquantes ou endommagées n'ont pas été remplacées. Pour obtenir de l'aide, veuillez communiquer avec le Service à la clientèle ou un centre de réparations qualifié.

ENTRETIEN GÉNÉRAL

Éviter d'utiliser des solvants pour le nettoyage des pièces en plastique. La plupart des matières plastiques peuvent être endommagées par divers types de solvants du commerce. Utiliser un chiffon propre pour éliminer la saleté, la poussière, l'huile, la graisse, etc.

⚠ AVERTISSEMENT :

Ne jamais laisser de liquides tels que le fluide de freins, l'essence, les produits à base de pétrole, les huiles pénétrantes, etc., entrer en contact avec les pièces en plastique. Les produits chimiques peuvent endommager, affaiblir ou détruire le plastique, ce qui peut entraîner des blessures graves.

NETTOYAGE DU BLOC MOTEUR

- Arrêtez le moteur et Retirer le bloc-piles.
- Nettoyer la saleté et les débris de l'ensemble moteur à l'aide d'un chiffon humide et d'un détergent doux.

AVIS :

Ne pas utiliser de détergents puissants sur le boîtier en plastique ou la poignée. Ces pièces peuvent être endommagées par certaines huiles aromatiques telles que les huiles de pin et de citron et les solvants tels que le kérosène.

REMISAGE DU BLOC MOTEUR

- Retirer la pile du bloc moteur avant de le ranger.
- Nettoyer soigneusement le bloc moteur.
- La remiser dans un endroit inaccessible aux enfants.
- Le tenir à l'écart de produits corrosifs, tels que les produits chimiques de jardinage et le sel de dégivrage.

DÉPANNAGE

PROBLÈME	CAUSE POSSIBLE	SOLUTION
Le moteur ne démarre pas quand change la gâchette.	Le bloc-piles n'est pas fixée.	Pour la fixer, s'assurer que le loquet au bas du bloc-piles est enclenché correctement.
	Le bloc-piles n'est pas chargée.	Charger la pile conformément aux instructions fournis avec ce modèle.

GARANTIE

ÉNONCÉ DE LA GARANTIE LIMITÉE

Techtronic Industries North America, Inc., garantit à l'acheteur original que ce produit RYOBI™ est exempt de tous vices de matériaux ou de fabrication et s'engage à réparer ou remplacer gratuitement, à son choix, tout produit s'avérant défectueux au cours des périodes indiquées ci-dessous, à compter de la date d'achat.

- Cinq ans sur les produits utilisés par des particuliers ;
- 90 jours sur les produits utilisés à toutes autres fins, telles que les travaux commerciaux et la location.

Cette garantie n'est offerte qu'à l'acheteur original et entre en vigueur à la date de l'achat original.

Toute pièce de ce produit jugée, après évaluation raisonnable par Techtronic Industries North America, Inc., comme présentant des vices de matériaux ou de fabrication, sera réparée ou remplacée, sans facturation pour pièces ou main d'oeuvre par un centre de réparations agréé pour produits d'extérieur de marque RYOBI™ (centre de réparations Ryobi agréé).

Le produit, y compris toutes les pièces défectueuses devront être retournés à un centre de réparations Ryobi agréé, avant expiration de la période de garantie. Les frais d'expédition au centre de réparations pour les travaux sous garantie et de retour au propriétaire du produit seront assumés par le propriétaire. En ce qui concerne les réclamations en garantie, la responsabilité Techtronic Industries North America, Inc., se limitera à la réparation ou au remplacement des produits défectueux et aucune revendication de rupture de garantie ne pourra causer l'annulation ou la résiliation du contrat de vente d'un produit d'extérieur RYOBI™ quel qu'il soit. Une preuve d'achat sera exigée par le centre de réparation, afin de valider toute réclamation au titre de la garantie. Toutes les réparations sous garantie devront être effectuées par un centre de réparations agréé.

La garantie sur tout produit d'extérieur RYOBI™ utilisé pour la location, des travaux commerciaux ou tout autre usage lucratif, sera limitée à quatre-vingt-dix (90) jours, à compter de la date d'achat au détail original.

Cette garantie ne couvre pas les produits ayant fait l'objet d'un usage abusif ou négligent, d'un manque d'entretien, ayant été impliqués dans un accident ou employé de façon contraire aux instructions du manuel d'utilisation. Cette garantie ne couvre ni les dommages aux produits résultant d'un manque d'entretien, ni les produits qui ont été altérés ou modifiés. La garantie exclut les réparations rendues nécessaires par l'usure normale ou l'utilisation de pièces et accessoires incompatibles avec le produit d'extérieur RYOBI™ ou nuisibles à son bon fonctionnement, ses performances ou sa durabilité. En outre, cette garanti exclut :

A. Les réglages – Bougies, carburateur, réglages du carburateur, allumage, filtres

B. Les articles consommables – Boutons d'avance par choc, bobines externes, lignes de coupe, bobines internes, poulies et cordons de lanceur, courroies d'entraînement, dents, rondelles en feutre, axes d'attelage, lames de paillage, ventilateur de soufflante, tubes de soufflage et d'aspiration, sacs à débris, guides, chaînes de scie

Techtronic Industries North America, Inc., se réserve le droit d'apporter des modifications ou améliorations à tout produit extérieur RYOBI™, sans obligation de modifier les produits fabriqués antérieurement.

LA DURÉE DE TOUTES LES GARANTIES IMPLICITES NE SAURAIT EN AUCUN CAS EXCÉDER LA PÉRIODE DE GARANTIE DÉCLARÉE. PAR CONSÉQUENT, TOUTES LES GARANTIES IMPLICITES, Y COMPRIS LES GARANTIES DE VALEUR MARCHANDE OU D'ADÉQUATION À UN USAGE PARTICULIER OU AUTRES SERONT INVALIDÉES À L'EXPIRATION DE LA PÉRIODE DE GARANTIE APPROPRIÉE DE CINQ ANS OU QUATRE-VINGT-DIX JOURS. LES OBLIGATIONS DE TECHTRONIC INDUSTRIES NORTH AMERICA, INC., DANS LE CADRE DE CETTE GARANTIE SE LIMITENT EXCLUSIVEMENT À LA RÉPARATION OU AU REMPLACEMENT DES PIÈCES DÉFECTUEUSES ET TECHTRONIC INDUSTRIES NORTH AMERICA, INC. N'ASSUME OU N'AUTORISE QUICONQUE À ASSUMER QUELQUE AUTRE OBLIGATION QUE CE SOIT. CERTAINS ÉTATS ET PROVINCES NE PERMETTANT PAS DE LIMITATION DE DURÉE DES GARANTIES IMPLICITES, LES RESTRICTIONS CI-DESSOUS PEUVENT NE PAS ÊTRE APPLICABLES. TECHTRONIC INDUSTRIES NORTH AMERICA, INC., DÉCLINE TOUTE RESPONSABILITÉ EN CE QUI CONCERNE LES DOMMAGES DIRECTS, INDIRECTS OU AUTRES, Y COMPRIS, MAIS SANS S'Y LIMITER, LES FRAIS DE RETOUR DE PRODUITS À UN CENTRE DE RÉPARATION RYOBI AGRÉÉ ET DE RENVOI AU PROPRIÉTAIRE, DE DÉPLACEMENT D'UN TECHNICIEN, DE TÉLÉPHONE OU TÉLÉGRAMME, DE LOCATION D'UN PRODUIT SIMILAIRE PENDANT LA DURÉE DES RÉPARATIONS SOUS GARANTIE, DE DÉPLACEMENT, DE PERTES OU DOMMAGES À DES BIENS PERSONNELS, DE MANQUE À GAGNER, DE PERTE D'USAGE DU PRODUIT, DE PERTE DE TEMPS OU DE DÉRANGEMENT. CERTAINS ÉTATS ET PROVINCES NE PERMETTANT L'EXCLUSION OU LA LIMITATION DES DOMMAGES DIRECTS OU INDIRECTS, LES RESTRICTIONS CI-DESSOUS PEUVENT NE PAS ÊTRE APPLICABLES.

Cette garantie donne au consommateur des droits spécifiques, et celui-ci peut bénéficier d'autres droits, qui varient selon les états ou provinces.

Cette garantie couvre tous les produits d'extérieur RYOBI™ fabriqués par Techtronic Industries North America, Inc., vendus aux États-Unis et au Canada.

Pour obtenir l'adresse du centre de réparations Ryobi agréé le plus proche, appeler le 1-800-860-4050.

INSTRUCCIONES DE SEGURIDAD IMPORTANTES

¡ADVERTENCIA!

Al utilizar herramientas eléctricas para el cuidado del jardín, con el fin de reducir el riesgo de incendio, descargas eléctricas y lesiones corporales, siempre deben seguirse ciertas medidas básicas de precaución.

LEA TODAS LAS INSTRUCCIONES

- Para la operación segura, lea y entienda todas las instrucciones antes de usar este producto. Siga todas las instrucciones de seguridad. La inobservancia de todas las instrucciones de seguridad señaladas abajo puede causar lesiones corporales graves.
- No permita que utilicen esta unidad niños ni personas carentes de la debida instrucción para su manejo.
- Limpie el área de trabajo cada vez antes de usar la unidad. Retire todos los objetos tales como piedras, vidrios rotos, clavos, alambre o cuerdas que pudiesen resultar lanzados o enredados en el hilo de corte o cuchilla, según sea el caso.
- Siempre póngase protección ocular con protección lateral con la marca de cumplimiento de la norma ANSI Z87.1. Si se cumple esta regla, se reduce el riesgo de lesiones serias.
- Utilice anteojos seguridad — siempre cara de uso o máscara de polvo si la operación está polvorienta.
- Protéjase los pulmones. Use una careta o mascarilla contra el polvo si la operación genera mucho polvo. Con el cumplimiento de esta regla se reduce el riesgo de lesiones serias.
- Vístase adecuadamente — Se recomienda el uso de guantes de goma y un calzado resistente cuando se trabaja a la intemperie. Póngase pantalones largos de tela gruesa, mangas largo, botas y guantes. No se ponga ropa holgada o pantalones cortos, ni ande descalzo. No vista ropas holgadas ni joyas. Pueden quedar atrapadas en las piezas móviles. Recójase el cabello largo arriba del nivel de los hombros para evitar que se enrede en las piezas móviles.
- Mantenga alejados a los niños — Mantenga alejados a todos los circunstantes, niños y animales a una distancia mínima de 15 m (50 pies).
- Permanezca alerta — Preste atención a lo que esté haciendo. Use el sentido común. No use esta unidad cuando se encuentre fatigado, enfermo, molesto o bajo los efectos del alcohol, drogas o medicamentos.
- No utilice la unidad en condiciones deficientes de iluminación.
- Mantenga todas las partes del cuerpo alejadas de toda pieza en movimiento.
- No utilice herramientas motorizadas en atmósferas explosivas, como las existentes alrededor de líquidos, gases y polvos inflamables. Las herramientas eléctricas generan chispas que pueden encender el polvo y los vapores inflamables.
- Evite los entornos de trabajo peligrosos — No exponga las aparato a la lluvia ni a condiciones de humedad. La introducción de agua en una herramienta eléctrica aumenta el riesgo de descargas eléctricas.
- Vístase adecuadamente — No utilice este producto para ninguna función diferente de las especificadas.
- No fuerce la herramienta — El uso de la herramienta adecuada a la velocidad para la que está diseñada, efectuará el trabajo de mejor y más segura manera.
- No accione el equipo cuando esté descalzo o al llevar puestas sandalias o calzado liviano similar. Use calzado de seguridad que le proteja sus pies y mejore su postura en superficies resbaladizas.
- No estire el cuerpo para alcanzar mayor distancia — Mantenga los pies bien afirmados y el equilibrio.
- Evite un arranque accidental de la unidad. Asegúrese de que el interruptor esté en la posición de aseguramiento o de apagado antes de instalar el paquete de baterías. Llevar las herramientas con el dedo en el interruptor o instalar el paquete de baterías en la herramienta con el interruptor puesto es causa común de accidentes.
- No utilice la herramienta si el interruptor no enciende o no apaga. Una herramienta que no pueda controlarse con el interruptor es peligrosa y debe repararse.
- Desconecte el cabezal motor — Desconecte el paquete de baterías del artefacto antes de almacenarlo, prestarle servicio o cambiar los accesorios como la línea de corte. Con tales medidas preventivas de seguridad se reduce el riesgo de poner en marcha accidentalmente la herramienta.
- Sólo utilice piezas de repuesto idénticas y accesorios del fabricante original. El empleo de piezas diferentes puede causar un peligro o dañar el producto.
- Mantenga este artefacto con cuidado — Cambie el cabezal del hilo, si está agrietado, desportillado o dañado de cualquier forma. Asegúrese de que el cabezal del hilo, o cuchilla, según sea el caso, esté debidamente instalado y firmemente asegurado. Siga las instrucciones para lubricar y cambiar accesorios. Inspeccione el cable de la cargador periódicamente y, si está dañado, reemplácelo. Mantenga los mangos de la cabezal motor secos, limpios y sin aceite ni grasa.
- Inspeccione toda pieza dañada — Antes de seguir utilizando del aparato, es necesario inspeccionar cuidadosamente toda protección si pieza dañada para determinar si funcionará correctamente y desempeñará la función a la que está destinada. Verifique la alineación de las partes móviles, que no haya atoramiento de partes móviles, que no haya piezas rotas, el montaje de las piezas y cualquier otra condición que pudiera afectar su funcionamiento. Cualquier protección o pieza que esté dañada debe ser reparada apropiadamente o reemplazada en un centro de servicio autorizado, a menos que se indique otra cosa en este manual.
- Mantenga las manos y los pies alejados del área de corte.
- Asegúrese de que todas las protecciones, correas, mangos y deflectores de hierba estén acoplados debidamente y de manera segura.
- En el cabezal de corte use únicamente hilo de repuesto del fabricante original si está usando un accesorio para recortar de eje. No use ningún otro aditamento de corte, por ejemplo, cable metálico, cuerda o producto similar. Instalar cualquier otra marca de hilo de corte en esta recortadora de hilo puede producir lesiones corporales serias.
- Nunca utilice la unidad si el deflector de pasto no está montado en su lugar y en buenas condiciones de funcionamiento.




INSTRUCCIONES DE SEGURIDAD IMPORTANTES

- Al usar la recortadora, sujétela firmemente por ambos mangos. Mantenga el cabezal del hilo por debajo del nivel de la cintura. Nunca corte con el cabezal del hilo a más de 762 mm (30 pulg.) del suelo.
- Mantenga todas las partes del cuerpo alejadas de la cadena de la sierra. No retire material cortado ni sujete material por cortar mientras estén moviéndose las hojas. Asegúrese de apagar la máquina cuando retire el material atascado. La cadena de la sierra sigue moviéndose después de desactivar el interruptor. Un momento de desatención al utilizar la podadora de alcance extendido puede causar lesiones personales graves.
- Transporte la podadora de alcance extendido con la mano y la cadena de la sierra detenida. Al transportar o guardar la podadora de alcance extendido, siempre coloque el protector de dispositivo de la cadena de la sierra. El manejo apropiado de la podadora de alcance extendido reducirá las posibles lesiones personales con la cadena de la sierra.
- Guarde en el interior los artefactos que no esté usando — Mientras no se esté utilizando, la cabezal motor y los accesorios debe almacenarse en el interior, en un sitio seco y bajo llave, lejos del alcance de los niños.
- Nunca use dispositivos móviles, alambre ni cuerdas en cualquier accesorio.
- Inspeccione el área por cortar. Retire todos los objetos (piedras, vidrio roto, clavos, alambre, hilo, etc.) que puedan salir disparados o enredarse en el cabezal de corte.
- Mantenga las rejillas de ventilación limpias y sin desechos para evitar que se recaliente el motor. Límpielas cada vez, después de usar la herramienta.
- Apague la unidad y desconecte el suministro de corriente cuando no esté en uso. Traslade la unidad con el motor apagado.
- Guarde la unidad desenchufada y fuera del alcance de los niños.
- No cuelgue la unidad de modo que el gatillo del interruptor quede presionado.
- Las herramientas de baterías no se necesitan conectar a una toma de corriente; por lo tanto, siempre están en condiciones de funcionamiento. Esté consciente de los posibles peligros cuando no esté usando la herramienta de baterías o cuando esté cambiando los accesorios de la misma. Con el cumplimiento de esta regla se reduce el riesgo de una descarga eléctrica, incendio o lesión corporal seria.
- No cargue herramientas de baterías en lugares mojados o húmedos. Con el cumplimiento de esta regla se reduce el riesgo de una descarga eléctrica.
- No use aparatos accionados por baterías en la lluvia.
- Al recoger o sostener la unidad no sujete las hojas de corte expuestas ni los filos de corte.
- No permita el uso de este producto como un juguete. Al ser usado este producto por niños, o cerca de los mismos, debe tenerse extrema precaución.
- No manipule el cargador, incluso la clavija del cargador y las terminales del cargador, con las manos mojadas.
- Tenga cuidado extremo al limpiar en escaleras.
- Quite o desconecte la batería antes de proporcionarle servicio, realizarle una limpieza o quitar material del aparato para el cuidado del jardín.
- Cargue las baterías solamente con el cargador indicado. Para utilizar con paquetes de baterías de iones de litio de 40 V, consulte el folleto de la herramienta/aparato/paquete de baterías/cargador complementario 988000-842.
- No deseche las baterías en el fuego. Las baterías pueden estallar. Verifique los códigos de la localidad para conocer posibles instrucciones especiales para desecharlas.
- No desarme el paquete de baterías. El electrolito emitido es corrosivo y puede causar daños en los ojos y en la piel. Puede ser tóxico si se ingiere.
- No coloque herramientas de baterías ni las baterías mismas cerca del fuego o del calor. De esta manera se reduce el riesgo de explosiones y de lesiones.
- Las baterías pueden explotar en presencia de una fuente de inflamación, como una luz guía. Para reducir el riesgo de lesiones corporales serias, nunca use un producto inalámbrico en presencia de llamas expuestas. La explosión de una pila puede lanzar fragmentos y compuestos químicos. Si ha quedado expuesto a la explosión de una pila, lávese de inmediato con agua.
- No aplaste, deje caer o dañe la pila. Nunca utilice una pila o cargador que se ha caído, aplastado, recibido un golpe contundente o ha sido dañado(a) de alguna manera. Las baterías dañadas pueden sufrir explosiones. Deseche de inmediato toda pila que haya sufrido una caída o cualquier daño.
- Tenga cuidado cuando maneje baterías a fin de no realizar un cortocircuito en la batería con materiales conductores como anillos, brazaletes y llaves. La batería o el conductor pueden recalentarse y provocar quemaduras.
- En condiciones extremas de uso o temperatura las baterías pueden emanar líquido. Si el líquido llega a tocarle la piel, lávese de inmediato con agua y jabón, y después neutralice los efectos con jugo de limón o vinagre. Si le entra líquido en los ojos, láveselos con agua limpia por lo menos 10 minutos, y después busque de inmediato atención médica. Con el cumplimiento de esta regla se reduce el riesgo de lesiones corporales serias.
- Guarde estas instrucciones. Consúltelas con frecuencia y empléelas para instruir a otras personas que puedan utilizar esta herramienta. Si presta a alguien esta herramienta, facilítele también las instrucciones.










**PODRÁ ENCONTRAR REGLAS DE SEGURIDAD ESPECÍFICAS
EN EL MANUAL DEL OPERADOR DEL ACCESORIO CORRESPONDIENTE**

SÍMBOLOS

Las siguientes palabras de señalización y sus significados tienen el objeto de explicar los niveles de riesgo relacionados con este producto.

SÍMBOLO	SEÑAL	SIGNIFICADO
	PELIGRO:	Indica una situación peligrosa, la cual, si no se evita, causará la muerte o lesiones serias.
	ADVERTENCIA:	Indica una situación peligrosa, la cual, si no se evita, podría causar la muerte o lesiones serias.
	PRECAUCIÓN:	Indica una situación peligrosa, la cual, si no se evita, podría causar lesiones menores o leves.
	AVISO:	(Sin el símbolo de alerta de seguridad) Indica la información que se considera importante, pero no relacionada con lesiones potenciales (por ej. en relación a daños a la propiedad).

Es posible que se empleen en este producto algunos de los siguientes símbolos. Le suplicamos estudiarlos y aprender su significado. Una correcta interpretación de estos símbolos le permitirá utilizar mejor y de manera más segura el producto.

SÍMBOLO	NOMBRE	DENOMINACIÓN/EXPLICACIÓN
	Alerta de seguridad	Indica un peligro posible de lesiones personales.
	Lea manual del operador	Para reducir el riesgo de lesiones, el usuario debe leer y comprender el manual del operador antes de usar este producto.
	Protección ocular	Siempre póngase protección ocular con protección lateral con la marca de cumplimiento de la norma ANSI Z87.1.
	Alerta de condiciones húmedas	No exponga la unidad a la lluvia ni la use en lugares húmedos.
	Mantenga alejadas a las personas presentes	Mantenga a los circunstantes a una distancia mínima de 15 m (50 pies).
	Rebote	Cualquier objeto lanzado puede rebotar y producir lesiones personales o daños físicos.
	No instale hoja de corte	No instale ni utilice ningún tipo de hoja de corte en ningún producto con este símbolo.
	Símbolo de reciclado	Este producto utiliza baterías de iones de litio (Li-ion). Es posible que algunas leyes municipales, estatales o federales prohíban desechar las baterías en la basura normal. Consulte a las autoridades reguladoras de desechos para obtener información en relación con las alternativas de reciclado y desecho disponibles.
	Corriente continua	Tipo o característica de corriente
n_0	Velocidad en vacío	Velocidad de rotación, en vacío
.../min	Por minuto	Revoluciones, carreras, velocidad superficial, órbitas, etc., por minuto
V	Volts	Voltaje
Hz	Hertz	Frecuencia (ciclos por segundo)
min	Minutos	Tiempo

CARACTERÍSTICAS

FAMILIARÍCESE CON SU CABEZAL MOTOR

Vea la figura 1.

El uso seguro que este producto requiere la comprensión de la información impresa en la producto y en el manual del operador así como ciertos conocimientos sobre el proyecto a realizar. Antes de usar este producto, familiarícese con todas las características de funcionamiento y normas de seguridad.

MANGO DELANTERO AJUSTABLE

El conjunto del mango delantero se puede ajustar para facilidad de uso y para ayudar a evitar la pérdida de control.

SOBREMOLDEADO MANGO

El sobremoldeado mango proporciona mayor comodidad para el operador.

INTERRUPTOR DE VELOCIDAD

Esta herramienta tiene un selector de velocidad que le permite al operador elegir entre la velocidad ALTA o BAJA. Usar la velocidad baja durante su operación ayuda a prologar el tiempo de funcionamiento de la batería, mientras que usar la velocidad alta mejora la potencia y el desempeño.

GATILLO CON SEGURO

El gatillo con seguro evita los arranques accidentales.

INTERRUPTOR DE GATILLO DE VELOCIDAD VARIABLE

Esta herramienta dispone de un interruptor de velocidad variable, el cual produce mayor velocidad cuanto mayor presión se aplica en el mismo. La velocidad se controla mediante la presión aplicada en el gatillo del interruptor.

ARMADO

DESEMPAQUETADO

Este producto requiere armarse.

- Extraiga cuidadosamente de la caja la producto y los accesorios. Asegúrese de que estén presentes todos los artículos enumerados en la lista de empaquetado.

ADVERTENCIA:

No utilice este producto si alguna pieza incluida en la Lista de empaquetado ya está ensamblada al producto cuando lo desempaqueta. El fabricante no ensambla las piezas de esta lista en el producto. Éstas deben ser instaladas por el usuario. El uso de un producto que puede haber sido ensamblado de forma inadecuada podría causar lesiones personales graves.

- Inspeccione cuidadosamente la producto para asegurarse de que no haya sufrido ninguna rotura o daño durante el transporte.
- No deseche el material de empaquetado hasta que haya inspeccionado cuidadosamente la producto y la haya utilizado satisfactoriamente.
- Si hay piezas dañadas o faltantes, le suplicamos llamar al 1-800-860-4050, donde le brindaremos asistencia.

LISTA DE EMPAQUETADO

Cabezal motor

Mango delantero

Manual del operador

ADVERTENCIA:

Si hay piezas dañadas o faltantes, no utilice esta producto sin haber reemplazado las piezas dañadas o faltantes. La inobservancia de esta advertencia puede causar lesiones graves.

ADVERTENCIA:

No intente modificar esta producto ni hacer accesorios no recomendados para la misma. Cualquier alteración o modificación constituye maltrato el cual puede causar una condición peligrosa, y como consecuencia posibles lesiones corporales serias.

ADVERTENCIA:

Para evitar un arranque accidental que podría causar lesiones corporales serias, siempre desmonte de la producto el paquete de baterías al montarle piezas a aquélla.

INSTALACIÓN UN ADITAMENTO DEL CABEZAL MOTOR

Vea la figura 2.

ADVERTENCIA:

Lea y comprenda todo el Manual del operador de cada accesorio opcional que se utilice con este cabezal del motor, y siga todas las advertencias e instrucciones. El incumplimiento de las instrucciones podría ocasionar descargas eléctricas, fuego o lesiones personales graves.

ADVERTENCIA:

Este cabezal del motor de 40V está diseñado para que sólo se utilice con los modelos de accesorios que se especifican en este Manual del operador. No está diseñado para ser usado con desbrozadoras u otros modelos de accesorios. El uso de otros accesorios podría provocar lesiones personales graves o daños a la propiedad.

ARMADO

ADVERTENCIA:

Nunca una ni ajuste ningún aditamento, desmontar o mientras esté funcionando el cabezal motor. Si no apaga el motor puede causarse lesiones serias a sí mismo y a otras personas. Nunca opere el cabezal motor sin un accesorio.

Sólo es posible utilizar este cabezal del motor de 40V con los siguientes accesorios Expand-It Ryobi:

- Recortadoras de bordes - RY15518, RYEDG11 y RYEDG12
- Sopladoras - RY15519, RYBLW22 y RYAXA22
- Recortadoras de hilo de eje recto - RY15523, RY15523A y RYSST44
- Recortadoras de hilo de eje curvo - RY15525 y RYCST55
- Cultivadores - RY15550 y RYTIL66
- Podadora - RY15520 y RYPRN33
- Equipo quitanieve - RYSNW00
- Accesorio para barredor - RYSWP25

El aditamento se conecta al cabezal motor mediante un dispositivo acoplador.

- Apague el motor y retire el paquete de baterías.
- Afloje la perilla en el acoplador del eje del cabezal de potencia y retire la tapa extrema del accesorio.
- Oprima el botón situado en el eje del aditamento. Alinee el botón con el hueco guía situado en el acoplador del cabezal motor, y con un movimiento de deslizamiento una los dos ejes. Gire el eje del aditamento hasta que el botón quede asegurado en el orificio de posicionamiento.

NOTA: Si el botón no brota completamente en el orificio de posicionamiento, significa que los ejes no están bien asegurados en su lugar. Gire levemente los ejes de un lado a otro hasta que el botón quede asegurado en su lugar.

- Apriete firmemente la perilla.

ADVERTENCIA:

Asegúrese de que esté bien apretada la perilla antes de utilizar el equipo; verifique periódicamente el apriete de la misma durante el uso para evitar lesiones corporales graves.

DESMONTAJE DEL ADITAMENTO DEL CABEZAL MOTOR

- Apague el motor y desconecte el cable de la bujía.
- Afloje la perilla.
- Oprima el botón y gire los ejes para separar los extremos de los mismos.

MONTAJE DEL MANGO DELANTERO

Vea la figura 3.

- Afloje y retire el arandela y el perno de mariposa del mango.
- Instale el mango en el alojamiento del eje del cabezal motor, en el lugar que indica en la ilustración.
- Si es necesario, suba o baje el mango para ajustarlo a la posición de manejo deseada.
- Reinstale el arandela y el perno de mariposa. Apriete firmemente el perno de mariposa.

FUNCIONAMIENTO

ADVERTENCIA:

Lea y comprenda todo el Manual del operador de cada accesorio opcional que se utilice con este cabezal del motor, y siga todas las advertencias e instrucciones. El incumplimiento de las instrucciones podría ocasionar descargas eléctricas, fuego o lesiones personales graves.

ADVERTENCIA:

No permita que su familiarización con las herramientas lo vuelva descuidado. Tenga presente que un descuido de un instante es suficiente para causar una lesión grave.

ADVERTENCIA:

Siempre póngase protección ocular con protección lateral con la marca de cumplimiento de la norma ANSI Z87.1. La inobservancia de esta advertencia puede causar el lanzamiento de objetos a los ojos, y por consecuencia posibles lesiones serias.

ADVERTENCIA:

Nunca use hojas, dispositivos móviles, alambre ni cuerdas en este producto. No utilice ningún aditamento o accesorio no recomendado por el fabricante de este producto. El empleo de aditamentos o accesorios no recomendados puede causar lesiones serias.

FUNCIONAMIENTO

AVISO:

Antes de cada uso, inspeccione todo el producto para detectar partes dañadas, faltantes o sueltas, como tornillos, tuercas, pernos, tapas, etc. Apriete firmemente todos los sujetadores y las tapas y no accione este producto hasta que todas las partes faltantes o dañadas sean reemplazadas. Póngase en contacto con el servicio al cliente o con un centro de servicio calificado para obtener ayuda.

ADVERTENCIA:

Retire siempre el paquete de baterías de la herramienta antes de instalar las piezas, realizar ajustes, limpiarla o cuando no la utilice. Retirar el paquete de baterías evitará que la unidad se accione accidentalmente y provoque lesiones graves.

INSTALACIÓN/EXTRACCIÓN DE LA BATERÍA

Vea la figura 4.

Para instalar el paquete de baterías:

- Coloque el paquete de baterías en la cabezal motor. Alinee la costilla realzada exterior del paquete de baterías con la ranura interior del receptáculo para pilas de la cabezal motor.

ADVERTENCIA:

Asegúrese de que el pestillo en la parte inferior del paquete de baterías entre adecuadamente en su lugar y que el paquete de baterías esté bien colocado y asegurado en el puerto de batería de la cabezal motor antes de que encenderla. No asentar el paquete de baterías correctamente podría provocar que el paquete de baterías se caiga y cause lesiones personales graves.

Para retirar el paquete de baterías:

- Presione y mantenga presionado el botón de la traba de las baterías de la parte inferior del paquete de baterías.
- Retire de la cabezal motor el paquete de baterías.

Para ver las instrucciones de carga completas, consulte los manuales del operador del paquete de baterías RYOBI y los modelos de cargador.

ADVERTENCIA:

Para evitar lesiones corporales serias, siempre desmonte de la herramienta el paquete de baterías y mantenga manos vacías del gatillo con seguro al llevar herramienta.

AJUSTE DEL MANGO DELANTERO

Vea la figura 5.

El ángulo del mango delantero puede ajustarse a 180 °.

- Retire el paquete de baterías.
- Coloque la cabezal motor en una superficie plana y gire la perilla hacia la izquierda para aflojar el mango.

- Ajuste el mango hacia en la posición deseada.
- Gire la perilla hacia la derecha hasta que el mango esté firmemente apretado antes de volver a instalar el paquete de baterías.

ENCENDIDO Y APAGADO DE LA CABEZAL MOTOR

Vea la figura 6.

Para encendido:

- Seleccione la velocidad de funcionamiento deseada (ALTA o BAJA).
- Oprima y no suelte el gatillo con seguro.
- Oprima el gatillo del interruptor.

Para apagado:

- Suelte el gatillo cuando desee apagar la cabezal motor.
- Al soltar el gatillo, el gatillo con seguro regresa automáticamente a la posición de aseguramiento.

MANEJO DE LA CABEZAL MOTOR

Vea las figuras 7 a 12.

Sujete el cabezal motor con la mano derecha en el mango trasero y coloque la mano izquierda en el mango delantero. Sujete firmemente la unidad con ambas manos durante la operación. Se recomienda sujetar el cabezal motor en una posición cómoda, con el mango trasero a la altura de la cadera.

Siempre opere el cabezal motor con la máxima aceleración. Si se acumulan residuos en el accesorio, SUELTE EL GATILLO DEL INTERRUPTOR, retire el paquete de baterías y quite los residuos.

ADVERTENCIA:

Siempre sujete el cabezal motor de hilo lejos del cuerpo, manteniendo un espacio entre el cuerpo y la herramienta. Cualquier contacto del cuerpo con la armazón o el cabezal de corte de el aditamento puede producir quemaduras y/o otras lesiones serias.

ADVERTENCIA:

Debe tenerse un cuidado extremo para asegurarse de manejar la unidad de forma segura al utilizar accesorio de la cuchillas. Lea la información de seguridad para el manejo seguro de la unidad al utilizar accesorio de la cuchillas y consulte las reglas de seguridad e instrucciones que aparecen en el manual del accesorio. Ne jamais utiliser une accessoire de débroussailluse avec cette bloc moteur. El uso inadecuado de una hoja o cualquier archivo adjunto puede causarse lesiones serias.

MANTENIMIENTO

ADVERTENCIA:

Para evitar lesiones corporales serias, siempre retire el paquete de pilas de la herramienta al limpiarla o darle mantenimiento.

ADVERTENCIA:

Siempre póngase protección ocular con protección lateral con la marca de cumplimiento de la norma ANSI Z87.1. La inobservancia de esta advertencia puede causar el lanzamiento de objetos a los ojos, y por consecuencia posibles lesiones serias.

ADVERTENCIA:

Al dar servicio a la unidad, sólo utilice piezas de repuesto idénticas. El empleo de piezas diferentes podría causar un peligro o dañar el producto.

AVISO:

Inspeccione periódicamente todo el producto para detectar partes dañadas, faltantes o sueltas, como tornillos, tuercas, pernos, tapas, etc. Apriete firmemente todos los sujetadores y las tapas y no accione este producto hasta que todas las partes faltantes o dañadas sean reemplazadas. Póngase en contacto con el servicio al cliente o con un centro de servicio calificado para obtener ayuda.

MANTENIMIENTO GENERAL

Evite el empleo de solventes al limpiar piezas de plástico. La mayoría de los plásticos son susceptibles a diferentes tipos de solventes comerciales y pueden resultar dañados. Utilice paños limpios para eliminar la suciedad, el polvo, el aceite, la grasa, etc.

ADVERTENCIA:

No permita en ningún momento que fluidos para frenos, gasolina, productos a base de petróleo, aceites penetrantes, etc., lleguen a tocar las piezas de plástico. Las sustancias químicas pueden dañar, debilitar o destruir el plástico, lo cual a su vez puede producir lesiones corporales serias.

LIMPIEZA DE LA CABEZAL MOTOR

- Apague el motor y retire el paquete de baterías.
- Limpie la suciedad y los residuos del cabezal del motor con un paño húmedo y una pequeña cantidad de detergente.

AVISO:

No emplee detergentes concentrados sobre el compartimiento de plástico o el mango. Pueden dañarse con ciertos aceites aromáticos, como de pino o limón, y con solventes como el querosén.

ALMACENAMIENTO DE LA CABEZAL MOTOR

- Retire el paquete de baterías de la cabezal motor antes de almacenarla.
- Limpie todos los desechos presentes en la cabezal motor.
- Almacene la unidad en un espacio inaccesible a los niños.
- Mantenga la unidad alejada de agentes corrosivos como los productos químicos para el jardín y las sales para derretir el hielo.

CORRECCIÓN DE PROBLEMAS

PROBLEMA	CAUSA POSIBLE	SOLUCIÓN
El motor falla de arranca cuando disparador de gatillo del interruptor.	La paquete de baterías no está fija.	Para fijar el paquete de baterías, asegúrese de que la traba de la parte inferior del paquete de baterías quede insertada en su lugar.
	La paquete de baterías no está cargada.	Cargue el paquete de baterías según las instrucciones incluidas con su modelo.

GARANTÍA

DECLARACIÓN DE LA GARANTÍA LIMITADA

Techtronic Industries North America, Inc. garantiza al comprador original al menudeo que este producto de la marca RYOBI™ carece de defectos en los materiales y en la mano de obra, y acuerda reparar o reemplazar, a la sola discreción de Techtronic Industries North America, Inc., cualquier producto defectuoso, sin cargo alguno al comprador, dentro de los siguientes períodos de tiempo a partir de la fecha de compra.

- Cinco años si los productos se emplean para uso personal, familiar o casero;
- 90 días si el producto se emplea para cualquier otro propósito, como el uso comercial o el de alquiler.

Esta garantía se otorga solamente al comprador original al menudeo, y comienza en la fecha de la compra original al menudeo.

Cualquier parte de este producto Techtronic Industries North America, Inc. que, a juicio razonable de la compañía, tenga defectos en los materiales o en la mano de obra, será reparado o reemplazado por un centro de servicio autorizado de herramientas para uso en el exterior de la marca RYOBI™, sin cargo alguno al comprador por concepto de piezas y mano de obra (Centro de Servicio Autorizado Ryobi).

El producto, incluida toda pieza defectuosa, debe enviarse a un centro de servicio autorizado Ryobi dentro del período de la garantía. El gasto de enviar el producto al centro de servicio para cualquier trabajo cubierto por la garantía, así como el gasto de devolverlo al propietario después de la reparación, correrán por cuenta del propietario. La responsabilidad de Techtronic Industries North America, Inc. con respecto a todo reclamo se limita a las reparaciones o reemplazo del producto, y ningún reclamo de incumplimiento de la garantía será causante de la cancelación o rescisión del contrato de venta de ninguna herramienta de uso en el exterior de la marca RYOBI™. En el establecimiento se requerirá el recibo de compra para respaldar cualquier reclamo al amparo de la garantía. Todo trabajo cubierto en la garantía debe ser realizado por un concesionario de servicio autorizado.

Esta garantía se limita a noventa (90) días a partir de la fecha original de la compra de cualquier herramienta de uso en el exterior de la marca RYOBI™ empleada para propósitos comerciales o de alquiler, o cualquier otro propósito generador de ingresos.

Esta garantía no cubre ningún producto que haya sido sujeto a un uso indebido, maltrato, negligencia o accidente, o que haya sido utilizado de cualquier forma contraria a las instrucciones de manejo especificadas en el manual del operador del producto. Esta garantía no aplica a ningún daño en el producto que resulte de un mantenimiento indebido ni a ningún producto que haya sido alterado o modificado. La garantía no cubre ninguna reparación necesaria por el uso normal ni por el uso de piezas o accesorios que sean incompatibles con la herramienta para uso exterior de la marca RYOBI™, o afecten de forma desfavorable su funcionamiento, desempeño o durabilidad.

Además, esta garantía no cubre:

A. Afinación – Bujías, carburador, ajustes del carburador, encendido, filtros

B. Artículos sujetos a desgaste – Perillas de tope, carretes exteriores, hilos de corte, carretes interiores, poleas del arrancador, cuerdas del arrancador, correas de transmisión, aspas, arandelas de fieltro y pasadores de enganche, hojas de triturar, ventiladores de sopladoras, tubos de sopladoras y de aspiradoras, sacos y correas de aspiradoras, barras guía y cadenas de sierras

Techtronic Industries North America, Inc. se reserva el derecho a cambiar o mejorar el diseño de cualquier herramienta para uso en el exterior de la marca RYOBI™ sin asumir ninguna obligación de modificar ningún producto fabricado previamente.

TODAS LAS GARANTÍAS IMPLÍCITAS ESTÁN LIMITADAS EN DURACIÓN SEGÚN EL PERÍODO DE GARANTÍA DECLARADA. POR CONSIGUIENTE, CUALQUIER GARANTÍA IMPLÍCITA, INCLUSO LAS DE COMERCIABILIDAD, IDONEIDAD PARA UN PROPÓSITO EN PARTICULAR, O DE CUALQUIER TIPO, PIERDEN TOTALMENTE SU VALIDEZ DESPUÉS DEL VENCIMIENTO DEL PERÍODO DE GARANTÍA CORRESPONDIENTE DE CINCO AÑOS O NOVENTA DÍAS. DE CONFORMIDAD CON ESTA GARANTÍA, LA OBLIGACIÓN DE TECHTRONIC INDUSTRIES NORTH AMERICA, INC. SE LIMITA ESTRICTA Y EXCLUSIVAMENTE A LA REPARACIÓN O REPLAZO DE LAS PIEZAS DEFECTUOSAS, Y TECHTRONIC INDUSTRIES NORTH AMERICA, INC. NO ASUME NINGUNA OTRA OBLIGACIÓN, NI AUTORIZA A NADIE ASUMIRLA A NOMBRE DE DICHA COMPAÑÍA. ALGUNOS ESTADOS NO PERMITEN LIMITACIONES EN CUANTO A LA DURACIÓN DE UNA GARANTÍA IMPLÍCITA, POR LO CUAL ES POSIBLE QUE LA LIMITACIÓN ANTERIOR NO SE APLIQUE EN EL CASO DE USTED. TECHTRONIC INDUSTRIES NORTH AMERICA, INC. NO ASUME NINGUNA RESPONSABILIDAD POR DAÑOS DIRECTOS, INDIRECTOS O DE NINGÚN OTRO TIPO, COMO EL GASTO DE ENVIAR EL PRODUCTO A UN CENTRO DE SERVICIO AUTORIZADO RYOBI Y EL GASTO DE ENVIARLO DE ALLÍ AL PROPIETARIO, EL TIEMPO DE VIAJE DEL MECÁNICO, CARGOS TELEFÓNICOS O TELEGRÁFICOS, ALQUILER DE UN PRODUCTO SUSTITUTO DURANTE EL TIEMPO DE REALIZACIÓN DEL SERVICIO DE LA GARANTÍA, VIAJES, PÉRDIDA O DAÑOS A OBJETOS DE PROPIEDAD PERSONAL, PÉRDIDA DE INGRESOS, PÉRDIDA DEL USO DEL PRODUCTO, PÉRDIDA DE TIEMPO O INCONVENIENTES. EN ALGUNOS ESTADOS NO SE PERMITE LA EXCLUSIÓN O LIMITACIÓN DE DAÑOS DIRECTOS O INDIRECTOS, POR LO CUAL ES POSIBLE QUE LA LIMITACIÓN O EXCLUSIÓN DESCRITA ARRIBA NO SE APLIQUE EN SU CASO.

Esta garantía le confiere derechos legales específicos, y es posible que usted goce de otros derechos, los cuales pueden variar de estado a estado.

Esta garantía se aplica a todas las herramientas para uso en el exterior de la marca RYOBI™ fabricadas por Techtronic Industries North America, Inc. y vendidos en Estados Unidos y Canadá.

Para encontrar el centro de servicio autorizado Ryobi más cercano a usted, llame al 1-800-860-4050.



OPERATOR'S MANUAL
MANUEL D'UTILISATION / MANUAL DEL OPERADOR
40 VOLT POWER HEAD
40V BLOC MOTEUR / 40V CABEZAL MOTOR
RY40003

- **PARTS AND SERVICE:** Prior to requesting service or purchasing replacement parts, please obtain your item, manufacturing, and serial numbers from the product data plate.

ITEM NO. _____

MANUFACTURING NO. _____

SERIAL NO. _____

HOW TO OBTAIN REPLACEMENT PARTS: Replacement parts can be purchased online at www.ryobitools.com or by calling 1-800-860-4050. Replacement parts can also be obtained at one of our service centers.

HOW TO LOCATE A SERVICE CENTER: Service centers can be located online at www.ryobitools.com or by calling 1-800-860-4050.

HOW TO OBTAIN CUSTOMER OR TECHNICAL SUPPORT: To obtain customer or technical support please contact us at 1-800-860-4050.

RYOBI is a trademark of Ryobi Limited and is used pursuant to a license granted by Ryobi Limited.

- **PIÈCES ET SERVICE :** Avant de faire la demande de service ou l'achat de pièces de remplacement, veuillez obtenir le numéro d'article, le numéro de fabrication et le numéro de série à partir de la plaque de données du produit.

NUMÉRO D'ARTICLE _____

NUMÉRO DE FABRICATION _____

NUMÉRO DE SÉRIE _____

COMMENT OBTENIR LES PIÈCES DE REMPLACEMENT : Les pièces de remplacement peuvent être achetées en ligne sur le site www.ryobitools.com ou par téléphone au 1-800-860-4050. Les pièces de remplacement peuvent être obtenues à un de nos centres de service.

COMMENT TROUVER UN CENTRE DE SERVICE : Les centres de service peuvent être localisés en ligne au www.ryobitools.com ou en téléphonant au 1-800-860-4050.

COMMENT OBTENIR DE L'AIDE EN CONTACTANT LE SERVICE À LA CLIENTÈLE : Pour contacter le service à la clientèle pour une question technique ou pour tout autre renseignement, veuillez nous téléphoner au 1-800-860-4050.

RYOBI est une marque de Ryobi Limited et est utilisée en vertu d'une licence accordée par Ryobi Limited.

- **PIEZAS DE REPUESTO Y SERVICIO:** Antes de solicitar servicio técnico o comprar piezas de repuesto, obtenga su número de artículo, el número de fabricación y el número de serie de la placa de datos del producto.

NÚMERO DE ARTÍCULO _____

NÚMERO DE FABRICACIÓN _____

NÚMERO DE SERIE _____

CÓMO OBTENER PIEZAS DE REPUESTO: Las piezas de repuesto se pueden comprar en nuestro sitio en la red mundial, en la dirección www.ryobitools.com o llamando al 1-800-860-4050. Las piezas de repuesto también se pueden obtener en uno de nuestros centros de servicio.

CÓMO LOCALIZAR UN CENTRO DE SERVICIO: Puede encontrar los centros de servicio visitando nuestro sitio en la red mundial, en la dirección www.ryobitools.com or by calling 1-800-860-4050.

CÓMO OBTENER SERVICIO O ASISTENCIA TÉCNICA AL CONSUMIDOR: Para obtener servicio o asistencia técnica al consumidor, sírvase comunicarse con nosotros llamando al 1-800-860-4050.

RYOBI es una marca de Ryobi Limited y se utiliza conforme a una licencia otorgada por Ryobi Limited.

TECHTRONIC INDUSTRIES POWER EQUIPMENT

1428 Pearman Dairy Road, Anderson, SC 29625 USA
1-800-860-4050 • www.ryobitools.com

995000324

10-10-17 (REV:01)



EXPAND-IT
ATTACHMENTS

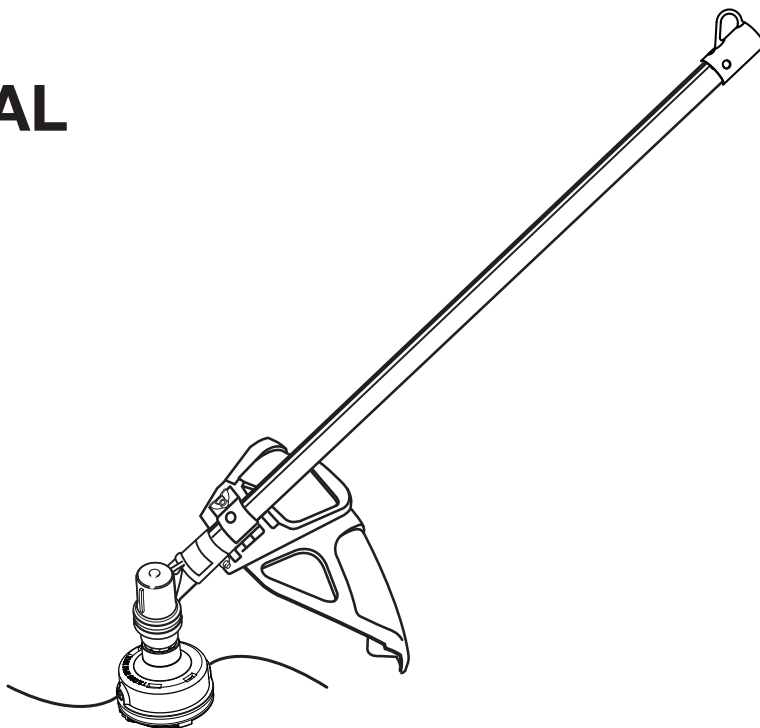
OPERATOR'S MANUAL

MANUEL D'UTILISATION
MANUAL DEL OPERADOR

STRAIGHT SHAFT
TRIMMER ATTACHMENT
ARBRE DROIT ACCESSOIRE
TAILLE-BORDURES

ACCESORIO PARA RECORTAR
DE EJE RECTO

RY15523A



Your trimmer attachment has been engineered and manufactured to our high standard for dependability, ease of operation, and operator safety. When properly cared for, it will give you years of rugged, trouble-free performance.

WARNING: To reduce the risk of injury, the user must read and understand the operator's manual before using this product.

Thank you for your purchase.

SAVE THIS MANUAL FOR FUTURE REFERENCE

L'accessoire taille-bordures a été conçue et fabriquée conformément à nos strictes normes de fiabilité, simplicité d'emploi et sécurité d'utilisation. Correctement entretenue, elle vous donnera des années de fonctionnement robuste et sans problème.

AVERTISSEMENT : Pour réduire les risques de blessures, l'utilisateur doit lire et veiller à bien comprendre le manuel d'utilisation avant d'employer ce produit.

Merci de votre achat.

**CONSERVER CE MANUEL POUR
FUTURE RÉFÉRENCE**

Su nuevo accesorio para recortar ha sido diseñada y fabricada de conformidad con las estrictas normas para brindar fiabilidad, facilidad de uso y seguridad para el operador. Con el debido cuidado, le brindará muchos años de sólido y eficiente funcionamiento.

ADVERTENCIA: Para reducir el riesgo de lesiones, el usuario debe leer y comprender el manual del operador antes de usar este producto.

Le agradecemos su compra.

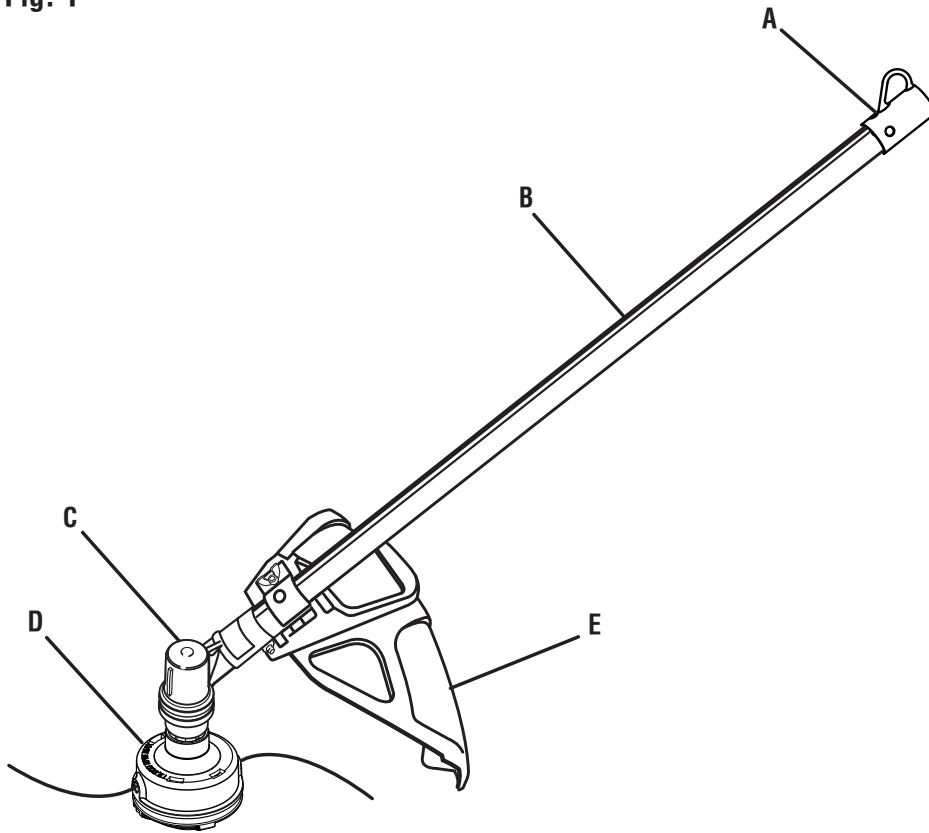
**GUARDE ESTE MANUAL PARA
FUTURAS CONSULTAS**

See this fold-out section for all of the figures referenced in the operator's manual.

Consulter l'encart à volets afin d'examiner toutes les figures mentionnées dans le manuel d'utilisation.

Consulte esta sección desplegable para ver todas las figuras a las que se hace referencia en el manual del operador.

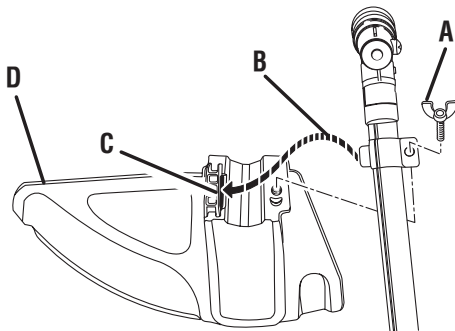
Fig. 1



- A - Hanger cap (capuchon de suspension, tapa de suspensión)
- B - Trimmer shaft (arbre du taille-bordures, eje de la recortadora)
- C - Gear head (carter d'engrenages, cabezal de engranajes)

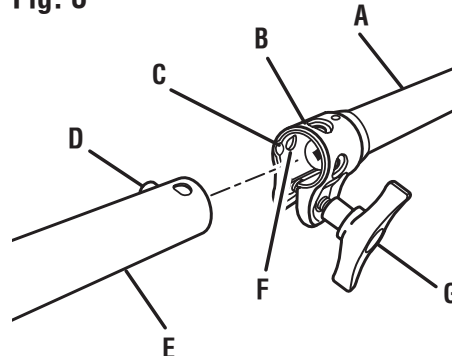
- D - String head (tête à ligne de coupe, cabezal del hilo)
- E - Grass deflector (déflecteur d'herbe, deflector de pasto)

Fig. 2



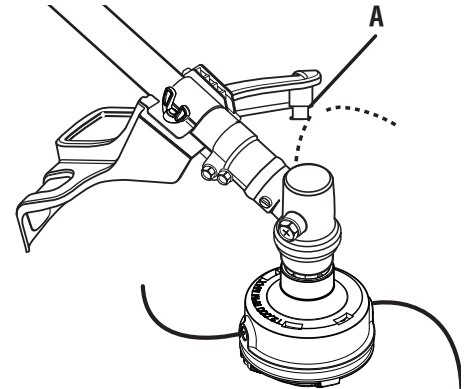
- A - Wing screw (vis à oreilles, tornillo de mariposa)
- B - Tab (languette, orejeta)
- C - Slot (fente, ranura)
- D - Grass deflector (déflecteur d'herbe, deflector de pasto)

Fig. 3



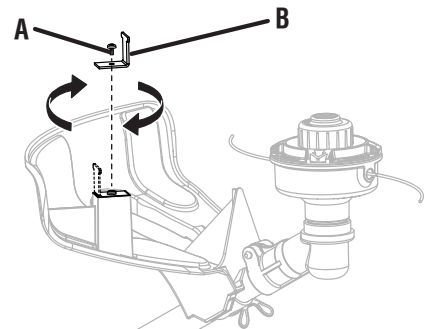
- A - Power head shaft (arbre moteur, cabezal motor eje)
- B - Coupler (coupleur, acoplador)
- C - Guide recess (renforcement du guide, hueco guía)
- D - Button (bouton, botón)
- E - Attachment shaft (arbre de l'accessoire, eje del accesorio)
- F - Positioning hole (trou de positionnement, orificio de posicionamiento)
- G - Knob (bouton, perilla)

Fig. 4



- A - Line cut-off blade (lame coupe-ligne, cuchilla de corte)

Fig. 5



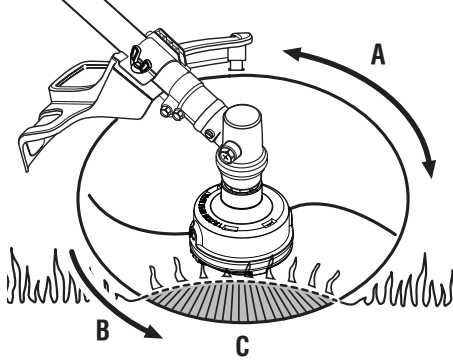
- A - Screw (vis, tornillo)
- B - Line cut-off blade (lame coupe-ligne, cuchilla de corte)

Fig.6



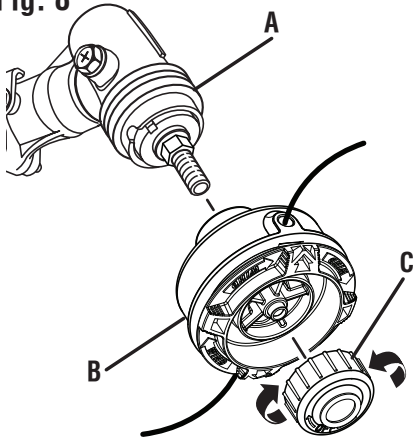
PROPER OPERATING POSITION / BONNE POSITION DE TRAVAIL / POSICIÓN CORRECTA PARA EL MANEJO DE LA HERRAMIENTA

Fig. 7



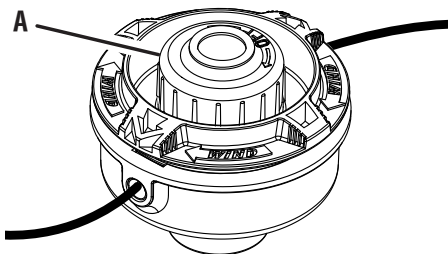
- A - Dangerous cutting area (zone de coupe dangereuse, área peligrosa de corte)
- B - Direction of rotation (sens de rotation, sentido de rotación)
- C - Best cutting area (zone d'efficacité maximum, mejor área de corte)

Fig. 8



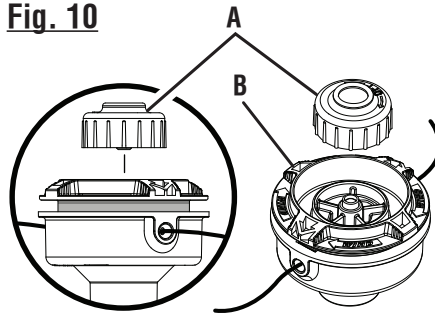
- A - Drive shaft (arbre moteur, eje de impulsión)
- B - string head (tête de coupe, cabezal del hilo)
- C - Spool retainer (retenue de bobine, retén del carrete)

Fig. 9



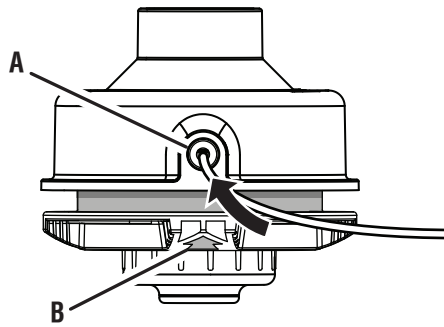
- A - Spool retainer (retenue de bobine, retén del carrete)

Fig. 10



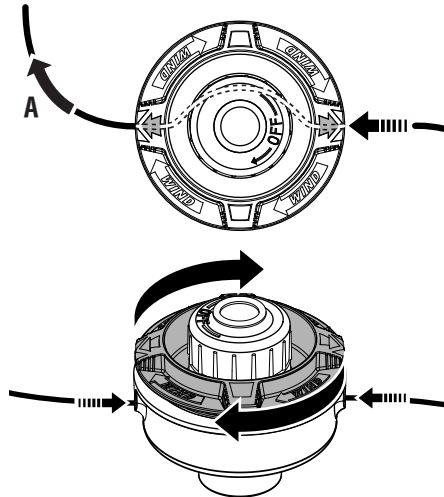
- A - Spool retainer (retenue de bobine, retén del carrete)
- B - Spool (bobine, carrete)

Fig. 11



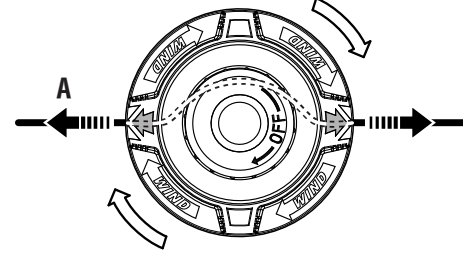
- A - Eyelet (œillet, ojillo)
- B - Arrow on spool (flèche sur la bobine, flecha en el carrete)

Fig. 12



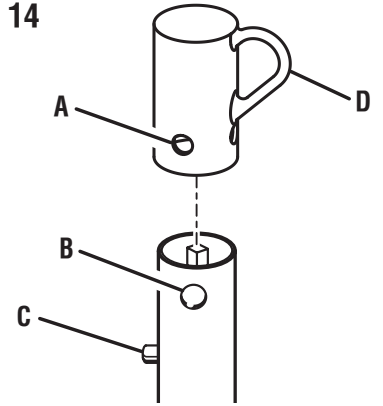
- A - Pull strings (tirer vers l'extérieur, tira del hilo)
- B - Rotate the spool counterclock wise (tourner le bobine dans le sens antihoraire, gire a la izquierda el carrete)

Fig. 13



- A - Pull strings (tirer vers l'extérieur, tira del hilo)

Fig. 14



- A - Hole (trou, orificio)
- B - Secondary hole (trou secondaire, orificio secundario)
- C - Button (bouton, botón)
- D - Hanger cap (capuchon de suspension, tapa de suspensión)

TABLE OF CONTENTS

TABLE DES MATIÈRES / ÍNDICE DE CONTENIDO

■ Introduction	2
Introduction / Introducción	
■ General Safety Rules	3
Règles de sécurité générales / Reglas de seguridad generales	
■ Specific Safety Rules.....	3
Règles de sécurité particulières / Reglas de seguridad específicas	
■ Symbols.....	4
Symboles / Símbolos	
■ Features.....	5
Caractéristiques / Características	
■ Assembly	5-6
Assemblage / Armado	
■ Operation.....	6-7
Utilisation / Funcionamiento	
■ Maintenance	8-9
Entretien / Mantenimiento	
■ Troubleshooting	9
Dépannage / Corrección de problemas	
■ Warranty	10
Garantie / Garantía	
■ Parts Ordering and Service	Back Page
Commande de pièces et réparation / Pedidos de piezas y servicio	Page arrière / Pág. posterior

INTRODUCTION

INTRODUCTION / INTRODUCCIÓN

This product has many features for making its use more pleasant and enjoyable. Safety, performance, and dependability have been given top priority in the design of this product making it easy to maintain and operate.

* * *

Ce produit offre de nombreuses fonctions destinées à rendre son utilisation plus plaisante et satisfaisante. Lors de la conception de ce produit, l'accent a été mis sur la sécurité, les performances et la fiabilité, afin d'en faire un outil facile à utiliser et à entretenir.

* * *

Este producto ofrece numerosas características para hacer más agradable y placentero su uso. En el diseño de este producto se ha conferido prioridad a la seguridad, el desempeño y la fiabilidad, por lo cual se facilita su manejo y mantenimiento.

GENERAL SAFETY RULES



WARNING:

Read and understand all instructions. Failure to follow all instructions listed below may result in electric shock, fire, and/or serious personal injury.

SAVE THESE INSTRUCTIONS

- Read these instructions and the instructions for the power head thoroughly before using the straight shaft trimmer attachment.
- Know the tool. Read and understand the operator's manual and observe the warnings and instruction labels affixed to the tool.
- Do not allow children or untrained individuals to use this unit.
- Always wear eye protection with side shields marked to comply with ANSI Z87.1.
- Wear heavy long pants, boots, and gloves. Do not wear loose fitting clothing, short pants, jewelry of any kind, or go barefoot.
- Secure long hair so it is above shoulder level to prevent entanglement in any moving parts.
- Keep all bystanders, children, and pets at least 50 ft. away. Bystanders should be encouraged to wear eye protection.
- Stay alert, watch what you are doing, and use common sense when operating a power tool. Do not use tool while tired or under the influence of drugs, alcohol, or medica-

tion. A moment of inattention while operating power tools may result in serious personal injury.

- Do not operate in poor lighting.
- Do not overreach. Keep proper footing and balance at all times. Proper footing and balance enables better control of the tool in unexpected situations.
- Keep all parts of your body away from any moving part.
- Do not touch areas around the muffler or cylinder of the power head. These parts get hot from operation. Failure to heed this warning could result in possible serious personal injury.
- Always stop the engine and remove the spark plug wire before making any adjustments or repairs except for carburetor adjustments.
- Inspect unit before each use for loose fasteners and damaged or missing parts. Correct before using the trimmer attachment. Failure to do so can cause serious injury.
- Use only original manufacturer's replacement parts. Failure to do so may cause poor performance, possible injury, and will void your warranty.
- Do not, under any circumstance, use any attachment or accessory on this product, which was not provided with the product, or identified as appropriate for use with this product in the operator's manual.
- Avoid dangerous environments. Do not use the attachment in damp or wet locations. Do not use in rain.
- Use the right attachment. Do not use attachment for any job except that for which it is intended.

SPECIFIC SAFETY RULES




- Replace string head if cracked, chipped, or damaged in any way. Be sure the string head is properly installed and securely fastened. Failure to do so can cause serious injury.
- Make sure all deflectors and handles are properly and securely attached.
- Use only flexible, non-metallic manufacturer. Never use wire, wire rope, or flail blades, which can break off and become dangerous projectiles.
- in place and in good condition.
- Maintain a firm grip on both handles while trimming.

- Keep string head below waist level. Never cut with the string head located over 30 in. or more above the ground.
- Clear the work area before each use. Remove all objects such as rocks, broken glass, nails, wire, or string which can be thrown or become entangled in the cutting line.
- Save these instructions. Refer to them frequently and use them to instruct others who may use this tool. If you loan someone this tool, loan them these instructions also to prevent misuse of the product and possible injury.







NOTE: SEE YOUR POWER HEAD OPERATOR'S MANUAL FOR ADDITIONAL SPECIFIC SAFETY RULES.

SYMBOLS

The following signal words and meanings are intended to explain the levels of risk associated with this product.

SYMBOL	SIGNAL	MEANING
	DANGER:	Indicates an imminently hazardous situation, which, if not avoided, will result in death or serious injury.
	WARNING:	Indicates a potentially hazardous situation, which, if not avoided, could result in death or serious injury.
	CAUTION:	Indicates a potentially hazardous situation, which, if not avoided, may result in minor or moderate injury.
	NOTICE:	(Without Safety Alert Symbol) Indicates important information not related to an injury hazard, such as a situation that may result in property damage.

Some of the following symbols may be used on this product. Please study them and learn their meaning. Proper interpretation of these symbols will allow you to operate the product better and safer.

SYMBOL	NAME	EXPLANATION
	Safety Alert Symbol	Indicates a potential personal injury hazard.
	Read Operator's Manual	To reduce the risk of injury, user must read and understand operator's manual before using this product.
	Eye and Hearing Protection	Always wear eye protection with side shields marked to comply with ANSI Z87.1, along with hearing protection when operating this equipment.
	Keep Bystanders Away	Keep all bystanders at least 50 ft. away.
	Ricochet	Thrown objects can ricochet and result in personal injury or property damage.
	No Blade	Do not install or use any type of blade on a product displaying this symbol.

FEATURES

PRODUCT SPECIFICATIONS

Line Cutting Width.....	13 in. and 15 in.
Line Diameter:	
Gas Power Head	0.080 in. to 0.095 in. max.
Cordless and Electric Power Head.....	0.080 in. max.

KNOW YOUR STRING TRIMMER ATTACHMENT

See Figure 1.

The safe use of this product requires an understanding of the information on the product and in this operator's manual as well as a knowledge of the project you are attempting. Before use of this product, familiarize yourself with all operating features and safety rules.

ADJUSTABLE CUTTING DIAMETER

The cutting diameter is adjustable from 13 in. and 15 in. by rotating the line cutoff blade.

GRASS DEFLECTOR

The trimmer includes a grass deflector that helps protect you from flying debris.

ASSEMBLY

UNPACKING

This product requires assembly.

- Carefully remove the items from the box. Make sure that all items listed in the packing list are included.

WARNING:

Do not use this product if any parts on the packing list are already assembled to your product when you unpack it. Parts on this list are not assembled to the product by the manufacturer and require customer installation. Use of a product that may have been improperly assembled could result in serious personal injury.

- Inspect the unit carefully to make sure no damage occurred during shipping.
- Do not discard the packing material until you have carefully inspected and satisfactorily operated the product.
- If any parts are damaged or missing, please call 1-800-860-4050 for assistance.

PACKING LIST

Ryobi® Expand-it™ Straight Shaft Trimmer Attachment
Grass Deflector
0.080 in. Twisted Replacement Line
Operator's Manual

WARNING:

If any parts are damaged or missing do not operate this product until the parts are replaced. Use of this product with damaged or missing parts could result in serious personal injury.

WARNING:

Do not attempt to modify this product or create accessories not recommended for use with this product. Any such alteration or modification is misuse and could result in a hazardous condition leading to possible serious personal injury.

WARNING:

Do not connect to power head until assembly is complete. Failure to comply could result in accidental starting and possible serious personal injury.

ATTACHING THE GRASS DEFLECTOR

See Figure 2.

WARNING:

The line cut-off blade on the grass deflector is sharp. Avoid contact with the blade. Failure to avoid contact can result in serious personal injury.

NOTE: Install the grass deflector before the attachment is connected to the power head.

- Remove the wing screw from the grass deflector.
- Insert the tab on the mounting bracket in the slot on the grass deflector.
- Align the screw hole in the mounting bracket with the screw hole in the grass deflector.
- Insert the wing screw through the mounting bracket and into the grass deflector.
- Tighten the screw securely.

ASSEMBLY

JOINING THE POWER HEAD TO THE STRAIGHT SHAFT TRIMMER ATTACHMENT

See Figure 3.

WARNING:

Never attach or adjust any attachment while power head is running. Failure to stop the engine or motor may cause serious personal injury.

The straight shaft trimmer attachment connects to the power head by means of a coupler device.

- Remove the hanger cap from the attachment shaft.
- Loosen the knob on the coupler of the power head shaft.
- Push in the button located on the straight shaft trimmer attachment. Align the button with the guide recess on the power head coupler and slide the two shafts together. Rotate attachment shaft until button locks into the positioning hole.

NOTE: If the buttons do not release completely in the positioning holes, the shafts are not locked into place. Slightly rotate from side to side until the button is locked into place.

- Tighten the knob securely.

WARNING:

Be certain the knob is fully tightened before operating equipment. Check it periodically for tightness during use to avoid serious injury.

REMOVING THE ATTACHMENT FROM THE POWER HEAD

For removing or changing the attachment:

- Stop the engine or motor.
- Loosen the knob.
- Push in the button and twist the shafts to remove and separate ends.

OPERATION

WARNING:

Do not allow familiarity with this product to make you careless. Remember that a careless fraction of a second is sufficient to inflict serious injury.

WARNING:

Always wear eye protection with side shields marked to comply with ANSI Z87.1. Failure to do so could result in objects being thrown into your eyes, resulting in possible serious injury.

WARNING:

Never use blades, flailing devices, wire, or rope on this product. Do not use any attachments or accessories not recommended by the manufacturer of this product. The use of attachments or accessories not recommended can result in serious personal injury.

APPLICATIONS

You may use this product for the purpose listed below:

- Trimming grass and weeds from around porches, fences, and decks

LINE TRIMMING CUT-OFF BLADE

See Figures 4 - 5.

The trimmer is equipped with a line trimming cut-off blade on the grass deflector. For best cutting, advance line until it is trimmed to length by the cut-off blade. Advance the line whenever you hear the engine running faster than normal, or when trimming efficiency diminishes. This will maintain best performance and keep the line long enough to advance properly.

This trimmer is currently set at the 13 in. cutting swath. To adjust to a cutting swath of 15 in.:

- Stop the engine or motor.
- Loosen the blade screw then rotate the line cut-off blade 180°.
- Tighten the blade screw.

OPERATION

OPERATING THE TRIMMER

See Figure 6.

WARNING:

Engine housing on gas power heads may become hot during trimmer operation. Do not rest or place your arm, hand, or any body part against the engine housing during trimmer operation. Only hold the trimmer as shown in Figure 6 with all body parts clear of engine housing. Extended contact with the engine housing can result in burns or other injuries.

WARNING:

Always position the unit on the operator's right side. The use of the unit on the operator's left side will expose the user to hot surfaces and can result in possible burn injury.

WARNING:

To avoid burns from hot surfaces, never operate unit with the bottom of the engine above waist level.

Hold the trimmer with your right hand on the rear handle and your left hand on the front handle. Keep a firm grip with both hands while in operation. Trimmer should be held at a comfortable position with the rear handle about hip height.

Always operate trimmer at full throttle for gas power heads or with the switch trigger fully pressed for cordless and electric power heads. Cut tall grass from the top down. This will prevent grass from wrapping around the shaft housing and string head which may cause damage from overheating. If grass becomes wrapped around the string head, STOP THE ENGINE or MOTOR, disconnect the spark plug wire for gas power heads, remove the battery pack for cordless power heads, or disconnect the plug from the power source for electric power heads, and remove the grass. Prolonged cutting at partial throttle will result in lubricant dripping from the muffler.

WARNING:

Always hold the string trimmer away from the body keeping clearance between the body and the product. Any contact with the housing or string trimmer cutting head can result in burns and/or other serious personal injury.

CUTTING TIPS

See Figures 6 - 7.

- Avoid hot surfaces by always keeping the tool away from your body. (Proper operating position shown in figure 6.)
- Keep the trimmer tilted toward the area being cut; this is the best cutting area.
- The trimmer cuts when passing the unit from left to right. This will avoid throwing debris at the operator. Avoid cutting in the dangerous area shown in figure 7.
- Use the tip of line to do the cutting; do not force string head into uncut grass.
- Wire and picket fences cause extra line wear and breakage. Stone and brick walls, curbs, and wood may wear line rapidly.
- Avoid trees and shrubs. Tree bark, wood moldings, siding, and fence posts can easily be damaged by the line.

ADVANCING LINE USING THE REEL-EASY™ TAP ADVANCE SYSTEM

Line advance is controlled by tapping the string head's spool retainer on grass while running engine at full throttle for gas power heads or with the switch trigger fully pressed for cordless and electric power heads.

- Run engine at full throttle for gas power heads or with the switch trigger fully pressed for cordless and electric power heads.
- Tap string head on ground to advance line. Line advances each time the head is tapped.
- Several taps may be required until line strikes the cut off blade.
- Resume trimming.

NOTE: If the line is worn too short you may not be able to advance the line by tapping it on the ground. If so, STOP THE ENGINE or MOTOR, disconnect the spark plug wire for gas power heads, remove the battery pack for cordless power heads, or disconnect the plug from the power source for electric power heads, and manually advance the line.

ADVANCING THE LINE MANUALLY

Stop the unit and disconnect the spark plug wire for gas power heads, remove the battery pack for cordless power heads, or disconnect from power supply for electric power heads. Push the spool retainer down while pulling on line(s) to manually advance the line.

MAINTENANCE

WARNING:

When servicing, use only identical replacement parts. Use of any other parts could create a hazard or cause product damage.

WARNING:

Always wear eye protection with side shields marked to comply with ANSI Z87.1. Failure to do so could result in objects being thrown into your eyes, resulting in possible serious injury.

WARNING:

Before inspecting, cleaning, or servicing the machine, shut off engine or motor, wait for all moving parts to stop, and disconnect spark plug wire and move it away from spark plug or disconnect from power supply. Failure to follow these instructions can result in serious personal injury or property damage.

GENERAL MAINTENANCE

Avoid using solvents when cleaning plastic parts. Most plastics are susceptible to damage from various types of commercial solvents and may be damaged by their use. Use clean cloths to remove dirt, dust, oil, grease, etc.

WARNING:

Do not at any time let brake fluids, gasoline, petroleum-based products, penetrating oils, etc., come in contact with plastic parts. Chemicals can damage, weaken or destroy plastic which could result in serious personal injury.

You can often make adjustments and repairs described here. For other repairs, have the trimmer serviced by an authorized service dealer.

SPOOL REPLACEMENT REEL-EASY™ TAP ADVANCE SYSTEM

See Figures 8 - 11.

If replacing line only, refer to **LINE REPLACEMENT** later in this manual.

For gas power heads, use 0.080 in. or 0.095 in. trimmer line. For cordless and electric power heads, use 0.080 in. trimmer line only.

- Stop the unit and disconnect the spark plug wire for gas power heads, remove the battery pack for cordless power heads, or disconnect from power supply for electric power heads. Hold the string head and unscrew the spool retainer.
- Remove the empty spool from the string head.
NOTE: It is not necessary to remove the string head housing from the drive shaft.
- Insert the new spool into the string head.
NOTE: Make sure the arrows on the spool are aligned with the eyelets in the string head housing. Push down and hold the spool and housing together while completing the installation.
- Reinstall the spool retainer to secure.
- Install line as described in **Line Replacement**.

LINE REPLACEMENT

See Figure 12 - 13.

- Stop the unit and disconnect the spark plug wire for gas power heads, remove the battery pack for cordless power heads, or disconnect from power supply for electric power heads.
- Rotate the spool clockwise as necessary to align the arrows on the spool with the eyelets in the string head housing.
- Cut one piece of trimmer line 10 ft. long. Insert the line into the eyelet on the string trimmer housing. Push until the end of the line comes out the other side of the string head. Pull the line from the other side until equal amounts of line appear on both sides of the spool.
- Rotate the spool clockwise to wind the line on the spool until approximately 6 in. of line is showing on each side.
- Push the spool retainer down while pulling on line(s) to manually advance the line and to check for proper assembly of the string head.

MAINTENANCE

ATTACHING THE STORAGE HANGER

See Figure 14.

There are two ways to hang the attachment for storage.

- To use the hanger cap, push in the button and place the hanger cap over the end of the attachment shaft. Slightly rotate the cap from side to side until the button locks into place.
- The secondary hole in the attachment shaft can be used for hanging purposes as well.

STORING THE ATTACHMENT

- Store the attachment in a well-ventilated place that is inaccessible to children.
- Keep away from corrosive agents such as garden chemicals and deicing salts.

REPLACEMENT PARTS

0.080 in. Twisted Replacement Line (Bulk).....AC04138

0.080 in. Twisted Replacement Line (Pre-cut).....AC04139

Available at homedepot.com

TROUBLESHOOTING

PROBLEM	POSSIBLE CAUSE	SOLUTION
Line will not advance when using the auto-feed head	Line is welded to itself.	Lubricate with silicone spray.
	Not enough line on spool.	Install more line. Refer to Line Replacement earlier in this manual.
	Line is worn too short.	Pull line while pressing button.
	Line is tangled on spool.	Remove line from spool and rewind. Refer to Line Replacement earlier in this manual.
Grass wraps around boom housing and string head	Cutting tall grass at ground level.	Cut tall grass from the top down to prevent wrapping.



CALL US FIRST

For any questions about operating or maintaining your product, call the Ryobi® Help Line!

Your product has been fully tested prior to shipment to ensure your complete satisfaction.

WARRANTY

LIMITED WARRANTY STATEMENT

Techtronic Industries North America, Inc., warrants to the original retail purchaser that this RYOBI® brand outdoor product is free from defect in material and workmanship and agrees to repair or replace, at Techtronic Industries North America, Inc.'s, discretion, any defective product free of charge within these time periods from the date of purchase.

- Five years if the product is used for personal, family or household use;
- 90 days, if used for any other purpose, such as commercial or rental.

This warranty extends to the original retail purchaser only and commences on the date of the original retail purchase.

Any part of this product found in the reasonable judgment of Techtronic Industries North America, Inc. to be defective in material or workmanship will be repaired or replaced without charge for parts and labor by an authorized service center for RYOBI® brand outdoor products (Authorized Ryobi Service Center).

The product, including any defective part, must be returned to an authorized Ryobi service center within the warranty period. The expense of delivering the product to the service center for warranty work and the expense of returning it back to the owner after repair or replacement will be paid by the owner. Techtronic Industries North America, Inc.'s, responsibility in respect to claims is limited to making the required repairs or replacements and no claim of breach of warranty shall be cause for cancellation or rescission of the contract of sale of any RYOBI® brand outdoor product. Proof of purchase will be required by the dealer to substantiate any warranty claim. All warranty work must be performed by an authorized service dealer.

This warranty is limited to ninety (90) days from the date of original retail purchase for any RYOBI® brand outdoor product that is used for rental or commercial purposes, or any other income-producing purpose.

This warranty does not cover any product that has been subject to misuse, neglect, negligence, or accident, or that has been operated in any way contrary to the operating instructions as specified in this operator's manual. This warranty does not apply to any damage to the product that is the result of improper maintenance or to any product that has been altered or modified. The warranty does not extend to repairs made necessary by normal wear or by the use of parts or accessories which are either incompatible with the RYOBI® brand outdoor product or adversely affect its operation, performance, or durability. In addition, this warranty does not cover:

- A. Tune-ups – Spark Plugs, Carburetor, Carburetor Adjustments, Ignition, Filters
- B. Wear items – Bump Knobs, Outer Spools, Cutting Lines, Inner Reels, Starter Pulleys, Starter Ropes, Drive Belts, Tines, Felt Washers, Hitch Pins, Mulching Blades, Blower Fans, Blower and Vacuum Tubes, Vacuum Bag and Straps, Guide Bars, Saw Chains

Techtronic Industries North America, Inc., reserves the right to change or improve the design of any RYOBI® brand outdoor product without assuming any obligation to modify any product previously manufactured.

ALL IMPLIED WARRANTIES ARE LIMITED IN DURATION TO THE STATED WARRANTY PERIOD. ACCORDINGLY, ANY SUCH IMPLIED WARRANTIES INCLUDING MERCHANTABILITY, FITNESS FOR A PARTICULAR PURPOSE, OR OTHERWISE, ARE DISCLAIMED IN THEIR ENTIRETY AFTER THE EXPIRATION OF THE APPROPRIATE FIVE-YEAR OR NINETY-DAY WARRANTY PERIOD. TECHTRONIC INDUSTRIES NORTH AMERICA, INC.'S, OBLIGATION UNDER THIS WARRANTY IS STRICTLY AND EXCLUSIVELY LIMITED TO THE REPAIR OR REPLACEMENT OF DEFECTIVE PARTS AND TECHTRONIC INDUSTRIES NORTH AMERICA, INC., DOES NOT ASSUME OR AUTHORIZE ANYONE TO ASSUME FOR THEM ANY OTHER OBLIGATION. SOME STATES DO NOT ALLOW LIMITATIONS ON HOW LONG AN IMPLIED WARRANTY LASTS, SO THE ABOVE LIMITATION MAY NOT APPLY TO YOU. TECHTRONIC INDUSTRIES NORTH AMERICA, INC., ASSUMES NO RESPONSIBILITY FOR INCIDENTAL, CONSEQUENTIAL, OR OTHER DAMAGES INCLUDING, BUT NOT LIMITED TO, EXPENSE OF RETURNING THE PRODUCT TO AN AUTHORIZED RYOBI SERVICE CENTER AND EXPENSE OF DELIVERING IT BACK TO THE OWNER, MECHANIC'S TRAVEL TIME, TELEPHONE OR TELEGRAM CHARGES, RENTAL OF A LIKE PRODUCT DURING THE TIME WARRANTY SERVICE IS BEING PERFORMED, TRAVEL, LOSS OR DAMAGE TO PERSONAL PROPERTY, LOSS OF REVENUE, LOSS OF USE OF THE PRODUCT, LOSS OF TIME, OR INCONVENIENCE. SOME STATES DO NOT ALLOW THE EXCLUSION OR LIMITATION OF INCIDENTAL OR CONSEQUENTIAL DAMAGES, SO THE ABOVE LIMITATION OR EXCLUSION MAY NOT APPLY TO YOU.

This warranty gives you specific legal rights, and you may also have other rights which vary from state to state.

This warranty applies to all RYOBI® brand outdoor products manufactured by or for Techtronic Industries North America, Inc., and sold in the United States and Canada.

To locate your nearest Authorized Ryobi Service Center, dial 1-800-860-4050.

RÈGLES DE SÉCURITÉ GÉNÉRALES



AVERTISSEMENT :

Lire et veiller à bien comprendre toutes les instructions. Le non-respect de toutes les instructions ci-dessous peut entraîner un choc électrique, un incendie et/ou des blessures graves.

CONSERVER CES INSTRUCTIONS

- Lire attentivement ces instructions et celles du moteur avant d'utiliser cet accessoire.
- Apprendre à connaître l'outil. Lire et veiller à bien comprendre le manuel de l'opérateur et observer les avertissements et les instructions des autocollants apposés sur l'outil.
- Ne pas laisser des enfants ou des personnes n'ayant pas reçu une formation adéquate utiliser cet outil.
- Toujours porter une protection oculaire avec écrans latéraux certifiée conforme à la norme ANSI Z87.1.
- Porter des pantalons longs, des chaussures de travail et des gants épais. Ne pas porter de vêtements amples, shorts, bijoux quels qu'ils soient et ne pas travailler pieds nus.
- Attacher les cheveux longs pour les maintenir au-dessus des épaules, afin qu'ils ne se prennent pas dans les pièces en mouvement.
- Garder les badauds, enfants et animaux domestiques à une distance minimum de 15 m (50 pi). Recommander aux personnes présentes de porter une protection oculaire.
- Rester attentif, prêter attention au travail, et faire preuve de bon sens lors de l'utilisation de tout outil électrique. Ne pas utiliser cet outil en état de fatigue ou sous l'influence d'alcool, de drogues ou de médicaments. Un moment d'inattention pendant l'utilisation d'un outil électrique peut entraîner des blessures graves.

- Ne pas travailler sous un éclairage insuffisant.
- Ne pas travailler hors de portée. Toujours se tenir bien campé et en équilibre. Des pieds bien campés et un bon équilibre permettent de mieux contrôler l'outil en cas de situation imprévue.
- Garder toutes les parties du corps à l'écart des pièces en mouvement.
- Ne pas toucher les zones autour de l'échappement ou du cylindre du moteur. Ces pièces deviennent très chaudes en cours de fonctionnement. Ne pas prendre cette précaution pourrait entraîner des blessures graves.
- Toujours arrêter le moteur et débrancher le fil de la bougie avant d'effectuer tout entretien ou réglage, à l'exception des réglages du carburateur.
- Inspecter l'appareil avant chaque utilisation pour s'assurer qu'il n'y a pas de fixations desserrées ou de pièces endommagées ou manquantes. Effectuer les corrections requises avant d'utiliser l'accessoire taille-bordures. Ne pas prendre cette précaution peut entraîner des risques de blessures graves.
- Utiliser exclusivement des pièces de rechange d'origine. Toute dérogation peut entraîner un mauvais fonctionnement, des blessures graves et l'annulation de la garantie.
- N'utiliser en aucun cas un accessoire non fourni avec le produit, ou non indiqué comme pouvant être utilisé sur l'outil dans le manuel d'utilisation.
- Éviter les environnements dangereux. Ne pas utiliser l'accessoire dans des endroits humides ou mouillés. Ne pas utiliser sous la pluie.
- Utiliser l'accessoire approprié. Ne pas utiliser l'accessoire dans une application pour laquelle il n'a pas été prévu.




RÈGLES DE SÉCURITÉ PARTICULIÈRES

- Si la tête de coupe est fendue, brisée ou endommagée de quelque façon que ce soit, la remplacer. S'assurer que la tête de coupe est correctement installée et solidement assujettie. Ne pas prendre cette précaution peut entraîner des risques de blessures graves.
- S'assurer que tous les déflecteurs et toutes sont correctement installés et solidement fixés.
- N'utiliser que le fil flexible et non métallique recommandé par le fabricant. Ne jamais utiliser un fil métallique, un câble ou des lames de fléau susceptibles de devenir des projectiles dangereux.
- Ne jamais utiliser le taille-bordures si le déflecteur d'herbe n'est pas en place et en bon état.
- Tenir fermement les deux poignées pendant le travail.
- Tenir la tête de coupe au-dessous du niveau de la taille. Ne jamais couper en tenant la tête de coupe à plus de 76 centimètres (30 po) du sol.
- Débarrasser la zone de travail avant chaque utilisation. La débarrasser de tous les objets tels que cailloux, verre brisé, clous, fils métalliques, cordes, etc. risquant d'être projetés ou de se prendre dans la ligne de coupe.
- Conserver ces instructions. Les consulter fréquemment et les utiliser pour instruire les autres utilisateurs éventuels. Si cet outil est prêté, il doit être accompagné de ces instructions, afin d'éviter un usage incorrect et d'éventuelles blessures.







NOTE : CONSULTEZ LE MANUEL D'UTILISATION DE BLOC MOTEUR POUR DE TÊTE POUR DES SUPPLEMENTAIRE RÈGLES DE SÉCURITÉ PARTICULIÈRES.

SYMBOLES

Les termes de mise en garde suivants et leur signification ont pour but d'expliquer le degré de risques associé à l'utilisation de ce produit.

SYMBOLE	SIGNAL	SIGNIFICATION
	DANGER :	Indique une situation extrêmement dangereuse qui, si elle n'est pas évitée, aura pour conséquences des blessures graves ou mortelles.
	AVERTISSEMENT :	Indique une situation potentiellement dangereuse qui, si elle n'est pas évitée, pourrait entraîner des blessures graves ou mortelles.
	ATTENTION :	Indique une situation potentiellement dangereuse qui, si elle n'est pas évitée, pourrait entraîner des blessures légères ou de gravité modérée.
	AVIS :	(Sans symbole d'alerte de sécurité) Indique une information importante ne concernant pas un risque de blessure comme une situation pouvant occasionner des dommages matériels.

Certains des symboles ci-dessous peuvent être présents sur la produit. Veiller à les étudier et à apprendre leur signification. Une interprétation correcte de ces symboles permettra d'utiliser la produit plus efficacement et de réduire les risques.

SYMBOLE	NOM	EXPLICATION
	Symbole d'alerte de sécurité	Indique un risque de blessure potentiel.
	Lire le manuel d'utilisation	Pour réduire les risques de blessures, l'utilisateur doit lire et veiller à bien comprendre le manuel d'utilisation avant d'utiliser ce produit.
	Protection oculaire et auditive	Toujours porter une protection oculaire avec écrans latéraux certifiée conforme à la norme ANSI Z87.1. ainsi qu'un protection auditive.
	Ne laisser personne s'approcher	Ne jamais laisser quiconque se tenir à moins de 15 m (50 pi) de l'outil.
	Ricochet	Ne pas utiliser le coupe-bourdures sans le protecteur. Rester éloigné de la tête de coupe rotative.
	Ne pas utiliser de lame	Ne jamais utiliser une lame quelconque sur un outil portant ce symbole.

CARACTÉRISTIQUES

FICHE TECHNIQUE

Largeur de coupe de ligne..... 330 et 381 mm (13 po et 15 po)

Diamètre de coupe :

Ensemble moteur à essence..... 2,0 mm à 2,4 mm max. (0,08 po à 0,095 po max.)

Ensemble moteur sans fil ou électrique..... 2,0 mm max. (0,08 po max.)

APPRENDRE À CONNAÎTRE L'ACCESSOIRE TAILLE-BORDURES À ARBRE DROIT

Voir la figure 1.

La sécurité d'utilisation de ce produit exige la compréhension des informations apposées sur le produit et contenues dans ce manuel d'utilisation, ainsi que la connaissance du travail à exécuter. Avant d'utiliser ce produit, se familiariser avec toutes ses fonctions et règles de sécurité.

DIAMÈTRE DE COUPE RÉGLABLE

Les diamètres de coupe de 330 et 381 mm (13 et 15 po) se règlent en tournant la lame de sectionnement du fil.

DÉFLECTEUR D'HERBE

Le taille-bordures est équipé d'un déflecteur d'herbe qui protège l'opérateur des débris projetés.

ASSEMBLAGE

DÉBALLAGE

Ce produit nécessite l'assemblage

- Avec précaution, sortir le produit et les accessoires de la boîte. S'assurer que toutes les pièces figurant sur la liste de contrôle sont incluses.

AVERTISSEMENT :

Ne pas utiliser le produit si, en le déballant, vous constatez que des éléments figurant dans la liste d'expédition sont déjà assemblés. Certaines pièces figurant sur cette liste n'ont pas été assemblées par le fabricant et exigent une installation. Le fait d'utiliser un produit qui a été assemblé de façon inadéquate peut entraîner des blessures.

- Examiner soigneusement le produit pour s'assurer que rien n'a été brisé ou endommagé en cours de transport.
- Ne pas jeter les matériaux d'emballage avant d'avoir soigneusement examiné le produit et avoir vérifié qu'il fonctionne correctement.
- Si des pièces sont manquantes ou endommagées, appeler le 1-800-860-4050.

LISTE DE CONTRÔLE D'EXPÉDITION

Arbre droit accessoire Taille-bordures Ryobi® Expand-it™

Déflecteur d'herbe

Fil de remplacement torsadé de 2,0 mm (0,08 po)

Manuel d'utilisation

AVERTISSEMENT :

Si des pièces manquent ou sont endommagées, ne pas utiliser ce produit avant qu'elles aient été remplacées. Le fait d'utiliser ce produit même s'il contient des pièces endommagées ou s'il lui manque des pièces peut entraîner des blessures graves.

AVERTISSEMENT :

Ne pas essayer de modifier cet produit ou de créer des accessoires non recommandés pour le produit. De telles altérations ou modifications sont considérées comme un usage abusif et peuvent créer des conditions dangereuses, risquant d'entraîner des blessures graves.

AVERTISSEMENT :

Ne pas brancher sur le bloc-moteur avant d'avoir terminé l'assemblage. Le non-respect de cet avertissement peut causer un démarrage accidentel, entraînant des blessures graves.

INSTALLATION DU DÉFLECTEUR D'HERBE

Voir la figure 2.

AVERTISSEMENT :

La lame coupe ligne du déflecteur est tranchante. Éviter de la toucher. Le contact avec la lame peut causer des blessures graves.

NOTE : Installer le déflecteur d'herbe avant de fixer l'accessoire sur l'ensemble moteur.

- Retirer la vis à oreilles du déflecteur d'herbe.
- Insérer la languette du support de montage dans la fente du déflecteur d'herbe.
- Aligner le trou de vis du support de montage sur le trou de vis du déflecteur d'herbe.
- Insérer la vis à oreilles dans le support et le déflecteur d'herbe.
- Serrer la vis fermement.

ASSEMBLAGE

RACCORDEMENT DU BLOC-MOTEUR À L'ACCESSOIRE TAILLE-BORDURES À ARBRE DROIT

Voir la figure 3.

AVERTISSEMENT :

Ne jamais installer ou ajuster un accessoire lorsque le moteur tourne. Ceci pourrait causer des blessures graves.

L'accessoire taille-bordures à arbre droit se raccorde au bloc-moteur à l'aide d'un dispositif de couplage.

- Retirer l'anneau de suspension de l'arbre d'accessoire.
- Desserrer le bouton du coupleur de l'arbre du bloc moteur.
- Appuyer sur le bouton se trouvant sur l'accessoire de taille-bordures. Aligner le bouton sur la rainure guide du bloc moteur et emboîter les deux arbres. Tourner l'arbre de l'accessoire jusqu'à ce que le bouton de verrouillage s'engage dans le trou de positionnement.

NOTE : Si les boutons ne s'engagent pas complètement dans les trous de positionnement, les arbres ne sont pas solidement maintenus l'un dans l'autre. Tourner légèrement les arbres dans les deux sens jusqu'à ce que le bouton s'engage complètement.

- Serrer le bouton fermement.

AVERTISSEMENT :

S'assurer que le bouton est bien serré avant d'utiliser l'outil. Vérifier de temps à autre pour éviter le risque de blessures graves.

RETRAIT DE L'ACCESSOIRE DU BLOC MOTEUR

Retrait ou remplacement de l'accessoire :

- Arrêter le moteur ou du moteur électrique.
- Desserrer le bouton.
- Enfoncer le bouton et tourner les arbres pour retirer et séparer les extrémités.

UTILISATION

AVERTISSEMENT :

Ne pas laisser la familiarité avec este produit faire oublier la prudence. Ne pas oublier qu'une fraction de seconde d'inattention peut entraîner des blessures graves.

AVERTISSEMENT :

Toujours porter une protection oculaire avec écrans latéraux certifiée conforme à la norme ANSI Z87.1. Si cette précaution n'est pas prise, des objets peuvent être projetés dans les yeux et causer des lésions graves.

AVERTISSEMENT :

Ne jamais utiliser de lames ou de dispositifs à fléau, fil et cordes sur ce produit. Ne pas utiliser d'outils ou accessoires non recommandés par le fabricant pour cet produit. L'utilisation de pièces et accessoires non recommandés peut entraîner des blessures graves.

LAME DE SECTIONNEMENT DE LIGNE

Voir les figures 4 et 5.

Ce taille-bordures est équipé d'une lame de sectionnement de ligne montée sur le déflecteur d'herbe. Pour obtenir une coupe optimale, faire progresser le fil jusqu'à ce qu'il soit coupé à la longueur correcte par la lame coupe-ligne. Le fil doit être avancé chaque fois que le moteur tourne à une vitesse supérieure à la normale ou lorsque la coupe devient moins efficace. Ceci permet de maintenir une efficacité maximum et de maintenir une longueur de fil suffisante pour avancer correctement.

Cette taille-bordure est actuellement réglée au 330 mm (13 po) largeur de coupe. Pour ajuster à une largeur de coupe de 381 mm (15 po) :

- Arrêter le moteur ou du moteur électrique.
- Desserrer la tornillo de la hojatourne alors la lame de sectionnement du fil 180°.
- Serrer la tornillo de la hoja.

APPLICATIONS

Cet produit peut être utilisé pour les application ci-dessous :

- Enlever aisément des mauvaises herbes et l'herbe du pourtour des porches, barrières, et des terrasses

UTILISATION

UTILISATION DU TAILLE-BORDURES

Voir la figure 6.

AVERTISSEMENT :

Le logement du moteur peut devenir chaud pendant l'utilisation du taille bordures à fil (sur les ensembles moteur à essence). Éviter de placer ou d'appuyer le bras, la main ou toute autre partie du corps contre le logement du moteur pendant l'utilisation du taille bordures. Tenir l'outil uniquement dans la position illustrée à la figure 6 en s'assurant qu'aucune partie du corps ne se trouve à proximité du logement du moteur. Un contact prolongé avec le logement du moteur peut entraîner des brûlures ou d'autres blessures.

AVERTISSEMENT :

Toujours tenir l'outil à sa droite. L'utilisation à gauche exposerait l'utilisateur aux surfaces chaudes, créant ainsi des risques de brûlures.

AVERTISSEMENT :

Pour éviter le contact avec les parties brûlantes, ne jamais travailler avec le bas du moteur au-dessus du niveau de la taille.

Tenir le taille-bordures avec la main droite sur la poignée arrière et la main gauche sur la poignée avant. Garder une prise ferme sur les deux poignées pendant le fonctionnement. Le taille-bordures doit être tenu dans une position confortable, la poignée arrière se trouvant à peu près à hauteur de la taille.

Toujours utiliser le taille bordures à plein régime si celui-ci est doté d'un ensemble moteur à essence, ou en appuyant complètement sur la gâchette s'il est doté d'un ensemble moteur sans fil ou électrique. Couper les herbes hautes de haut en bas. Ceci empêchera l'herbe de s'enrouler sur le tube de l'arbre moteur et la tête de coupe, ce qui pourrait causer des dommages dus à une surchauffe. Si l'herbe s'enroule sur la tête de coupe, **ARRÊTER LE MOTEUR**, débrancher le fil de bougie s'il s'agit d'un ensemble moteur à essence, retirer le bloc-piles de l'ensemble moteur sans fil ou débrancher la fiche de la source d'alimentation s'il s'agit d'un ensemble moteur électrique, et enlever l'herbe.

AVERTISSEMENT :

Toujours tenir le taille-bordures à l'écart de soi en maintenant une distance de sécurité entre le corps et l'équipement. Tout contact avec le boîtier ou avec la tête de coupe du taille-bordures peut causer des brûlures et / ou d'autres blessures graves.

CONSEILS DE COUPE

Voir les figures 6 et 7.

- Éviter les surfaces très chaudes en maintenant toujours l'outil à l'écart du corps. (Position de travail correcte illustrée à la figure 6.)
- Pour une efficacité maximum, garder le taille-bordures incliné vers la zone de coupe.
- Pour couper avec le taille-bordures à arbre droit, utiliser un mouvement de balayage de gauche à droite. Ceci évite que les débris soient projetés en direction de l'opérateur. Éviter de couper dans la zone dangereuse comme le montre l'illustration à la figure 7.
- Couper avec l'extrémité de la ligne; ne pas forcer la tête de coupe dans l'herbe non coupée.
- Les palissades en métal et en bois accélèrent l'usure de la ligne et peuvent la faire casser. Les murs en pierre et brique, trottoirs et pièces de bois peuvent user la ligne rapidement.
- Contourner les arbres et buissons. L'écorce des arbres, les moulures en bois, le lambrissage et les piquets de palissades peuvent être endommagés par la ligne.

AVANCE DE LA LIGNE DE COUPE AVEC LE SYSTÈME À CHOC REEL-EASY™

L'avance de la ligne est obtenue en tapant la tête de coupe sur le gazon, tout en laissant fonctionner le moteur à plein régime s'il s'agit d'un ensemble moteur à essence, ou en appuyant complètement sur la gâchette s'il s'agit d'un ensemble moteur sans fil ou électrique.

- Faire fonctionner le moteur à plein régime s'il s'agit d'un ensemble moteur à essence, ou en appuyant complètement sur la gâchette s'il s'agit d'un ensemble moteur sans fil ou électrique.
- Taper la tête de coupe sur le sol pour faire avancer la ligne. La ligne avance chaque fois que la tête de coupe est frappée sur le sol.
- Plusieurs frappes peuvent être nécessaires pour que la ligne parvienne à la lame coupe ligne
- Continuer le travail.

NOTE : Si la ligne devient trop courte, il peut ne pas être possible de la faire avancer en tapant la tête de coupe sur le sol. Dans ce cas, **ARRÊTER LE MOTEUR**, débrancher le fil de bougie s'il s'agit d'un ensemble moteur à essence, retirer le bloc-piles de l'ensemble moteur sans fil ou débrancher la fiche de la source d'alimentation s'il s'agit d'un ensemble moteur électrique, et tirer la ligne à la main.

AVANCE MANUELLE DE LA LIGNE DE COUPE

Arrêter le moteur et débrancher le fil de bougie pour ensemble moteur à essence, retirer le bloc-piles de l'ensemble moteur sans fil ou débranchez la scie de l'alimentation pour blocs moteur électrique. Appuyer sur la retenue de bobine et tirer sur la ligne pour sortir la longueur désirée.

ENTRETIEN

AVERTISSEMENT :

Utiliser exclusivement des pièces d'origine pour les réparations. L'usage de toute autre pièce peut créer une situation dangereuse ou endommager l'outil.

AVERTISSEMENT :

Toujours porter une protection oculaire avec écrans latéraux certifiée conforme à la norme ANSI Z87.1. Si cette précaution n'est pas prise, des objets peuvent être projetés dans les yeux et causer des lésions graves.

AVERTISSEMENT :

Avant d'inspecter, nettoyer ou entretenir l'équipement, couper le moteur, attendre que toutes les pièces en mouvement s'arrêtent, déconnecter le fil de la bougie et l'écartier de la bougie ou débranchez la scie de l'alimentation. Le non-respect de ces instructions peut entraîner des blessures graves ou des dégâts matériels.

ENTRETIEN GÉNÉRAL

Éviter d'utiliser des solvants pour le nettoyage des pièces en plastique. La plupart des matières plastiques peuvent être endommagées par divers types de solvants du commerce. Utiliser un chiffon propre pour éliminer la saleté, la poussière, l'huile, la graisse, etc.

AVERTISSEMENT :

Ne jamais laisser de liquides tels que le fluide de freins, l'essence, les produits à base de pétrole, les huiles pénétrantes, etc., entrer en contact avec les pièces en plastique. Les produits chimiques peuvent endommager, affaiblir ou détruire le plastique, ce qui peut entraîner des blessures graves.

Les réglages et réparations décrits ci-dessous peuvent bien souvent être effectués par l'utilisateur. Les autres réparations doivent être confiées à un centre de réparations agréé.

REPLACEMENT DE LA BOBINE AVANCE DE LA LIGNE DE COUPE À TAPANT REEL-EASY™

Voir les figures 8 à 11.

Si seule la ligne est remplacée, voir **Remplacement de la ligne**, plus loin dans ce manuel.

Pour moteurs à essence, utiliser une ligne monofilament de 2,0 mm (0,080 po) ou 2,4 mm (0,095 po) de diamètre. Pour moteurs sans fil ou électrique, utiliser exclusivement une ligne monofilament de 2,0 mm (0,080 po) de diamètre.

- Arrêter le moteur et débrancher le fil de bougie pour ensemble moteur à essence, retirer le bloc-piles de l'ensemble moteur sans fil ou débranchez la scie de l'alimentation pour blocs moteur électrique. Maintenir la tête de coupe et retirer la retenue de bobine.

- Retirer la bobine vide de la tête de coupe.

NOTE : Il n'est pas nécessaire de retirer le logement de la tête de coupe de l'arbre d'entraînement.

- Insérer la nouvelle bobine dans la tête de coupe.

NOTE : S'assurer que les flèches de la bobine sont alignées avec les œillets du logement de la tête de coupe. Abaisser et maintenir ensemble à cette position la bobine et le logement tout en complétant l'installation.

- Réinstaller la retenue de bobine afin de la fixer solidement.

- Installer le fil tel que décrit à la section intitulée **Remplacement du fil**.

REPLACEMENT DE LIGNE

Voir les figures 12 et 13.

- Arrêter l'outil et débrancher le fil de bougie pour ensemble moteur à essence, retirer le bloc-piles de l'ensemble moteur sans fil ou débranchez la scie de l'alimentation pour blocs moteur électrique.

- Au besoin, tourner la bobine dans le sens horaire afin d'aligner les flèches de la bobine avec les œillets du logement de la tête de coupe.

- Couper un morceau d'une longueur de 3 m (10 pi) de chaîne monofilament. Insérer le fil dans l'œillet du logement du taille-bordures. Pousser jusqu'à ce que l'extrémité du fil sorte de l'autre côté de la tête de coupe. Tirer sur le fil de l'autre côté de façon à laisser deux segments de fil égaux de chaque côté de la bobine.

- Tourner la bobine dans le sens horaire pour enrouler le fil autour de celle-ci jusqu'à ce qu'environ 152,4 mm (6 po) de fil apparaisse de chaque côté de la bobine.

- Appuyer sur la retenue de bobine tout en tirant sur la ou les ligne(s) pour les avancer manuellement et vérifier le montage de la tête de coupe.

ENTRETIEN

INSTALLATION DE L'ANNEAU DE SUSPENSION

Voir la figure 14.

Il existe deux façons de suspendre l'accessoire pour le remisage.

- Pour installer l'anneau de suspension, appuyer sur le bouton et emboîter le capuchon sur l'extrémité de l'arbre d'accessoire. Tourner légèrement le capuchon dans un sens et l'autre pour enclencher le bouton.
- Le trou secondaire de l'arbre d'accessoire peut également être utilisé pour suspendre l'accessoire.

REMISAGE DE L'ACCESSOIRE

- Ranger l'accessoire dans un endroit bien aéré inaccessible aux enfants.
- La tenir à l'écart de produits corrosifs, tels que les produits chimiques de jardinage et le sel de dégivrage.

PIÈCES DE REMPLACEMENT

Fil de remplacement:

Fil torsadé de 2,0 mm (0,08 po) (rouleau)AC04138

Fil torsadé de 2,0 mm (0,08 po) (précoupé)AC04139

Disponible sur le site www.homedepot.com

DÉPANNAGE

PROBLÈME	CAUSE POSSIBLE	SOLUTION
Le ligne n'avancera pas si une tête à avance automatique est utilisée	Ligne soudée sur elle-même.	Lubrifier avec un produit au silicone.
	Pas assez de ligne sur la bobine.	Installer une nouvelle ligne. Voir Remplacement de ligne , plus haut dans ce manuel.
	Ligne trop courte.	Tirez la ligne tout en appuyant sur le bouton.
	Ligne emmêlée sur la bobine.	Retirer la ligne de la bobine et la rembobiner. Voir Remplacement de la ligne , plus haut dans ce manuel.
L'herbe s'enroule sur le tube de l'arbre moteur et la tête de coupe	Coupe de hautes herbes au ras du sol.	Couper les herbes hautes du haut en bas.



NOUS APPELER D'ABORD

Pour toute question concernant l'utilisation ou l'entretien utiliser ce produit, appeler le service d'assistance téléphonique Ryobi®!

Le taille-bordures à été entièrement testé avant expédition pour assurer la complète satisfaction de l'utilisateur.

GARANTIE

ÉNONCÉ DE LA GARANTIE LIMITÉE

Techtronic Industries North America, Inc., garantit à l'acheteur original que ce produit RYOBI® est exempt de tous vices de matériaux ou de fabrication et s'engage à réparer ou remplacer gratuitement, à son choix, tout produit s'avérant défectueux au cours des périodes indiquées ci-dessous, à compter de la date d'achat.

- 5 ans sur les produits utilisés par des particuliers ;
- 90 jours sur les produits utilisés à toutes autres fins, telles que les travaux commerciaux et la location.

Cette garantie n'est offerte qu'à l'acheteur original et entre en vigueur à la date de l'achat original.

Toute pièce de ce produit jugée, après évaluation raisonnable par Techtronic Industries North America, Inc., comme présentant des vices de matériaux ou de fabrication, sera réparée ou remplacée, sans facturation pour pièces ou main d'oeuvre par un centre de réparations agréé pour produits d'extérieur de marque RYOBI® (centre de réparations Ryobi agréé).

Le produit, y compris toutes les pièces défectueuses devront être retournés à un centre de réparations Ryobi agréé, avant expiration de la période de garantie. Les frais d'expédition au centre de réparations pour les travaux sous garantie et de retour au propriétaire du produit seront assumés par le propriétaire. En ce qui concerne les réclamations en garantie, la responsabilité Techtronic Industries North America, Inc., se limitera à la réparation ou au remplacement des produits défectueux et aucune revendication de rupture de garantie ne pourra causer l'annulation ou la résiliation du contrat de vente d'un produit d'extérieur RYOBI® quel qu'il soit. Une preuve d'achat sera exigée par le centre de réparation, afin de valider toute réclamation au titre de la garantie. Toutes les réparations sous garantie devront être effectuées par un centre de réparations agréé.

La garantie sur tout produit d'extérieur RYOBI® utilisé pour la location, des travaux commerciaux ou tout autre usage lucratif, sera limitée à quatre-vingt-dix (90) jours, à compter de la date d'achat au détail original.

Cette garantie ne couvre pas les produits ayant fait l'objet d'un usage abusif ou négligent, d'un manque d'entretien, ayant été impliqués dans un accident ou employé de façon contraire aux instructions du manuel d'utilisation. Cette garantie ne couvre ni les dommages aux produits résultant d'un manque d'entretien, ni les produits qui ont été altérés ou modifiés. La garantie exclut les réparations rendues nécessaires par l'usure normale ou l'utilisation de pièces et accessoires incompatibles avec le produit d'extérieur RYOBI® ou nuisibles à son bon fonctionnement, ses performances ou sa durabilité. En outre, cette garanti exclut :

A. Les réglages – Bougies, carburateur, réglages du carburateur, allumage, filtres

B. Les articles consommables – Boutons d'avance par choc, bobines externes, lignes de coupe, bobines internes, poulies et cordons de lanceur, courroies d'entraînement, dents, rondelles en feutre, axes d'attelage, lames de paillage, ventilateur de soufflante, tubes de soufflage et d'aspiration, sacs à débris, guides, chaînes de scie

Techtronic Industries North America, Inc., se réserve le droit d'apporter des modifications ou améliorations à tout produit extérieur RYOBI®, sans obligation de modifier les produits fabriqués antérieurement.

LA DURÉE DE TOUTES LES GARANTIES IMPLICITES NE SAURAIT EN AUCUN CAS EXCÉDER LA PÉRIODE DE GARANTIE DÉCLARÉE. PAR CONSÉQUENT, TOUTES LES GARANTIES IMPLICITES, Y COMPRIS LES GARANTIES DE VALEUR MARCHANDE OU D'ADÉQUATION À UN USAGE PARTICULIER OU AUTRES SERONT INVALIDÉES À L'EXPIRATION DE LA PÉRIODE DE GARANTIE APPROPRIÉE DE CINQ ANS OU QUATRE-VINGT-DIX JOURS. LES OBLIGATIONS DE TECHTRONIC INDUSTRIES NORTH AMERICA, INC., DANS LE CADRE DE CETTE GARANTIE SE LIMITENT EXCLUSIVEMENT À LA RÉPARATION OU AU REMPLACEMENT DES PIÈCES DÉFECTUEUSES ET TECHTRONIC INDUSTRIES NORTH AMERICA, INC. N'ASSUME OU N'AUTORISE QUICONQUE À ASSUMER QUELQUE AUTRE OBLIGATION QUE CE SOIT. CERTAINS ÉTATS ET PROVINCES NE PERMETTANT PAS DE LIMITATION DE DURÉE DES GARANTIES IMPLICITES, LES RESTRICTIONS CI-DESSOUS PEUVENT NE PAS ÊTRE APPLICABLES. TECHTRONIC INDUSTRIES NORTH AMERICA, INC., DÉCLINE TOUTE RESPONSABILITÉ EN CE QUI CONCERNE LES DOMMAGES DIRECTS, INDIRECTS OU AUTRES, Y COMPRIS, MAIS SANS S'Y LIMITER, LES FRAIS DE RETOUR DE PRODUITS À UN CENTRE DE RÉPARATION RYOBI AGRÉÉ ET DE RENVOI AU PROPRIÉTAIRE, DE DÉPLACEMENT D'UN TECHNICIEN, DE TÉLÉPHONE OU TÉLÉGRAMME, DE LOCATION D'UN PRODUIT SIMILAIRE PENDANT LA DURÉE DES RÉPARATIONS SOUS GARANTIE, DE DÉPLACEMENT, DE PERTES OU DOMMAGES À DES BIENS PERSONNELS, DE MANQUE À GAGNER, DE PERTE D'USAGE DU PRODUIT, DE PERTE DE TEMPS OU DE DÉRANGEMENT. CERTAINS ÉTATS ET PROVINCES NE PERMETTANT L'EXCLUSION OU LA LIMITATION DES DOMMAGES DIRECTS OU INDIRECTS, LES RESTRICTIONS CI-DESSOUS PEUVENT NE PAS ÊTRE APPLICABLES.

Cette garantie donne au consommateur des droits spécifiques, et celui-ci peut bénéficier d'autres droits, qui varient selon les états ou provinces.

Cette garantie couvre tous les produits d'extérieur RYOBI® fabriqués par Techtronic Industries North America, Inc., vendus aux États-Unis et au Canada.

Pour obtenir l'adresse du centre de réparations Ryobi agréé le plus proche, appeler le 1-800-860-4050.

REGLAS DE SEGURIDAD GENERALES



ADVERTENCIA:

Lea y comprenda todas las instrucciones. El incumplimiento de las instrucciones señaladas abajo puede causar descargas eléctricas, incendios y lesiones serias.

GUARDE ESTAS INSTRUCCIONES

- Lea detenidamente estas instrucciones y las instrucciones para su cabezal motor antes de utilizar el accesorio para recortar de eje recto.
- Familiarícese con la herramienta. Lea y comprenda el manual del operador y observe las advertencias y etiquetas de instrucciones adheridas a la herramienta.
- No permita que utilicen esta unidad niños ni personas carentes de la debida instrucción para su manejo.
- Siempre póngase protección ocular con protección lateral con la marca de cumplimiento de la norma ANSI Z87.1.
- Póngase pantalones, botas y guantes gruesos. No se ponga ropa holgada, pantalones cortos, joyería de ningún tipo ni ande descalzo.
- Recójase el cabello si lo tiene largo, de manera que le quede arriba de los hombros para evitar que se enrede en las piezas en movimiento.
- Mantenga a todos los circunstantes, niños y animales por lo menos a 15 m (50 pies) de distancia. Debe exhortarse a los circunstantes a ponerse protección para los ojos.
- Permanezca alerta, preste atención a lo que esté haciendo, y aplique el sentido común al utilizar herramientas eléctricas. No utilice la herramienta si está cansado o se encuentra bajo los efectos de alguna droga, alcohol o medicamento. Un momento de inatención al utilizar una herramienta eléctrica puede causar lesiones corporales serias.




- No utilice este producto si no hay luz suficiente.
- No estire el cuerpo para alcanzar mayor distancia. Mantenga una postura firme y buen equilibrio en todo momento. Una postura firme y un buen equilibrio permiten un mejor control de la herramienta en situaciones inesperadas.
- Mantenga todas las partes del cuerpo alejadas de toda pieza móvil.
- No toque las áreas alrededor del silenciador o del cilindro del cabezal motor. Estas piezas se calientan durante el funcionamiento. La inobservancia de esta advertencia puede causar lesiones serias.
- Siempre apague el motor y desconecte el cable de la bujía antes de efectuar cualquier tarea de ajuste o reparación, excepto ajustes del carburador.
- Inspeccione la unidad antes de cada uso para verificar que no haya pernos sueltos no partes dañadas o faltantes. Efectúe las correcciones necesarias antes de utilizar el accesorio para recortar. La inobservancia de esta advertencia puede causar lesiones serias.
- Sólo utilice piezas de repuesto del fabricante original. De lo contrario puede originarse un mal desempeño de la herramienta y lesiones corporales, además de anularse la garantía.
- En ninguna circunstancia, use accesorio o accesorio alguno en este producto, que no se haya suministrado con el producto mismo, o que no esté identificado como apropiado para el uso con este producto en el manual del operador.
- Evite los entornos peligrosos de trabajo. No use el accesorio en lugares húmedos o mojados. No lo use en la lluvia.
- Utilice el accesorio adecuado para la tarea. No utilice este producto para ninguna función diferente de las especificadas.

REGLAS DE SEGURIDAD ESPECÍFICAS







- Reemplace el cabezal del hilo si estuviese agrietado, astillado o dañado de alguna manera. Asegúrese de que el cabezal del hilo esté debidamente instalado y firmemente asegurado. La inobservancia de esta advertencia puede causar lesiones corporales serias.
 - Asegúrese que todos los deflectores y las asas estén acoplados debidamente y de manera segura.
 - Utilice únicamente la cuerda no metálica recomendada por el fabricante. Nunca utilice alambre, cable metálico o cuchillas trilladoras; todos estos pueden romperse y convertirse en peligroso proyectiles.
 - Nunca utilice la recortadora de hilo si el deflector de césped no está en posición y en buenas condiciones de funcionamiento.
 - Al usar la recortadora, sujétela firmemente en ambas asas.
 - Mantenga el cabezal del hilo por debajo del nivel de la cintura. Nunca corte con el cabezal del hilo a más de 76 cm (30 pulg.) del suelo.
 - Despeje el área de trabajo cada vez antes de utilizar esta herramienta. Retire todos los objetos tales como piedras, vidrios rotos, clavos, alambre o cuerdas que pudiesen resultar lanzados o enredados en el hilo de corte.
 - Guarde estas instrucciones. Consúltelas con frecuencia y empléelas para instruir a otras personas que puedan utilizar esta herramienta. Si presta a alguien esta herramienta, facilítele también las instrucciones con el fin de evitar un uso indebido del producto y posibles lesiones.
- NOTA: VEA LA MANUAL DEL OPERADOR DE CABEZAL DE MOTOR PARA REGLAS DE SEGURIDAD ESPECÍFICAS ADICIONALES.**

SÍMBOLOS

Les termes de mise en garde suivants et leur signification ont pour but d'expliquer le degré de risques associé à l'utilisation de ce produit.

SYMBOLE	SIGNAL	SIGNIFICATION
	DANGER :	Indique une situation extrêmement dangereuse qui, si elle n'est pas évitée, aura pour conséquences des blessures graves ou mortelles.
	AVERTISSEMENT :	Indique une situation potentiellement dangereuse qui, si elle n'est pas évitée, pourrait entraîner des blessures graves ou mortelles.
	ATTENTION :	Indique une situation potentiellement dangereuse qui, si elle n'est pas évitée, pourrait entraîner des blessures légères ou de gravité modérée.
	AVISO :	(Sans symbole d'alerte de sécurité) Indica información importante no relacionada con ningún peligro de lesiones, como una situación que puede ocasionar daños físicos.

Certains des symboles ci-dessous peuvent être présents sur la produit. Veiller à les étudier et à apprendre leur signification. Une interprétation correcte de ces symboles permettra d'utiliser la produit plus efficacement et de réduire les risques.

SYMBOLE	NOM	EXPLICATION
	Symbole d'alerte de sécurité	Indique un risque de blessure potentiel.
	Lire le manuel d'utilisation	Pour réduire les risques de blessures, l'utilisateur doit lire et veiller à bien comprendre le manuel d'utilisation avant d'utiliser ce produit.
	Protection oculaire et auditive	Toujours porter une protection oculaire con protección lateral certifiée conforme à la norme ANSI Z87.1 ainsi qu'un protection auditive.
	Ne laisser personne s'approcher	Ne jamais laisser quiconque se tenir à moins de 15 m (50 pi) de l'outil.
	Ricochet	Ne pas utiliser le coupe-bourdures sans le protecteur. Rester éloigné de la tête de coupe rotative.
	Ne pas utiliser de lame	Ne jamais utiliser une lame quelconque sur un outil portant ce symbole.

CARACTERÍSTICAS

ESPECIFICACIONES DEL PRODUCTO

Anchura del corte del hilo	330 y 381 mm (13 pulg. y 15 pulg.)
Diámetro del hilo:	
Cabezal motor a gas	2,0 mm a 2,4 mm max. (0,08 pulg. a 0,095 pulg. max.)
Cabezal motor inalámbrico o eléctrico	2,0 mm max. (0,08 pulg. max.)

FAMILIARÍCESE CON EL ACCESORIO PARA RECORTAR DE EJE RECTO

Vea la figura 1.

Para usar este producto con la debida seguridad se debe comprender la información indicada en la producto misma y en este manual, y se debe comprender también el trabajo que intenta realizar. Antes de usar este producto, familiarícese con todas las características de funcionamiento y normas de seguridad del mismo.

DIÁMETRO DE CORTE AJUSTABLE

El diámetro de corte se puede ajustar de 330 mm (13 pulg.) a 381 mm (15 pulg.) haciendo girar la cuchilla de corte del hilo.

DEFLECTOR DE PASTO

La recortadora incorpora un deflector de pasto que ayuda a proteger al operador de los desechos lanzados por la herramienta.

ARMADO

DESEMPAQUETADO

Este producto debe armarse.

- Extraiga cuidadosamente de la caja la producto y los accesorios. Asegúrese de que estén presentes todos los artículos enumerados en la lista de empaquetado.

ADVERTENCIA:

No utilice este producto si alguna pieza incluida en la lista de contenido ya está ensamblada al producto cuando lo desempaqueta. El fabricante no ensambla las piezas de esta lista en el producto. Éstas deben ser instaladas por el usuario. El uso de un producto que puede haber sido ensamblado de forma inadecuada podría causar lesiones personales graves.

- Inspeccione cuidadosamente la producto para asegurarse de que no haya sufrido ninguna rotura o daño durante el transporte.
- No deseche el material de empaquetado hasta que haya inspeccionado cuidadosamente la producto y la haya utilizado satisfactoriamente.
- Si hay piezas dañadas o faltantes, le suplicamos llamar al 1-800-860-4050, donde le brindaremos asistencia.

LISTA DE EMPAQUETADO

Accesorio Ryobi® Expand-it™ para cortar de eje recto

Deflector de pasto

Línea de repuesto trenzada de 2 mm (0,08 pulg.)

Manual del operador

ADVERTENCIA:

Si falta o está dañada alguna pieza, no utilice este producto sin haber reemplazado la pieza. Usar este producto con partes dañadas o faltantes puede causar lesiones serias al operador.

ADVERTENCIA:

No intente modificar esta producto ni hacer accesorios no recomendados para la misma. Cualquier alteración o modificación constituye maltrato el cual puede causar una condición peligrosa, y como consecuencia posibles lesiones corporales serias.

ADVERTENCIA:

No conecte la unidad al cabezal motor antes de terminar de armarla. De lo contrario la unidad puede ponerse en marcha accidentalmente, con el consiguiente riesgo de lesiones serias.

MONTAJE DEL DEFLECTOR DE PASTO

Vea la figura 2.

ADVERTENCIA:

La cuchilla de cortar el hilo del deflector de pasto está afilada. Evite tocar la cuchilla. Si no evita tal contacto puede originarse lesiones corporales serias.

NOTA: Instale el deflector de pasto antes de acoplar el accesorio al cabezal motor.

- Retire el tornillo de mariposa del deflector de pasto.
- Introduzca la orejeta del soporte de montaje en la ranura del deflector de pasto.
- Alinee el orificio del tornillo en el soporte de montaje con orificio del tornillo del deflector de pasto.
- Introduzca el tornillo de mariposa a través del soporte de montaje y en el deflector de pasto.
- Apriete firmemente el tornillo.

ARMADO

ACOPLAMIENTO DEL CABEZAL DE POTENCIA AL ACCESORIO PARA RECORTAR DE EJE RECTO

Vea la figura 3.

ADVERTENCIA:

Nunca una ni ajuste ningún accesorio mientras esté funcionando el cabezal motor. Si no se detiene el motor o motor eléctrico podría causar lesiones personales graves.

El accesorio para recortar de eje recto se acopla al cabezal de potencia por medio de un dispositivo acoplador.

- Quite el tapa de la suspensión del eje del accesorio.
- Afloje la perilla en el acoplador del eje del cabezal motor.
- Oprima el botón situado en el accesorio para recortar de eje recto. Alinee el botón con el hueco guía situado en el acoplador del eje del cabezal motor y con un movimiento de deslizamiento una los dos ejes. Gire el accesorio para recortar de eje recto hasta que el botón se trabe en el orificio de posicionamiento.

NOTA: Si los botones no se sueltan completamente en el orificio de posicionamiento, significa que los ejes no están bien asegurados en su lugar. Gire levemente los ejes de un lado a otro hasta que el botón quede asegurado en su lugar.

- Apriete firmemente la perilla.

ADVERTENCIA:

Asegúrese de que esté bien apretada la perilla antes de utilizar el equipo. Verifique periódicamente el apriete de la misma durante el uso para evitar lesiones serias.

DESMONTAJE DEL ACCESORIO DEL CABEZAL MOTOR

Para desmontar o cambiar el accesorio:

- Apague el motor o el motor eléctrico.
- Afloje la perilla.
- Oprima el botón y gire los ejes para separar los extremos de los mismos.

FUNCIONAMIENTO

ADVERTENCIA:

No permita que su familiarización con las productos lo vuelva descuidado. Tenga presente que un descuido de un instante es suficiente para causar una lesión grave.

ADVERTENCIA:

Siempre póngase protección ocular con protección lateral con la marca de cumplimiento de la norma ANSI Z87.1. La inobservancia de esta advertencia puede permitir que los objetos lanzados hacia los ojos puedan provocar lesiones graves.

ADVERTENCIA:

Nunca use hojas, dispositivos movibles, alambre ni cuerdas en este producto. No utilice ningún accesorio o accesorio no recomendado por el fabricante de esta producto. El empleo de accesorios o accesorios no recomendados podría causar lesiones serias.

APLICACIONES

Este producto puede emplearse para los fines enumerado abajo:

- Realizar con suma facilidad el recorte de céspedes y malezas alrededor de porches, cercas, y terrazas

CUCHILLA DE CORTE DEL HILO

Vea las figuras 4 y 5.

Esta recortadora está equipada con una cuchilla de corte del hilo instalada en el deflector de pasto. Para obtener mejores resultados en el recorte, avance el hilo hasta que la cuchilla lo corte a la longitud apropiada. Avance el hilo siempre que escuche que el motor está funcionando más rápido de lo normal, o cuando disminuya la eficiencia del recorte. Esto mantendrá un desempeño óptimo y mantendrá el hilo a la suficiente longitud para que avance correctamente.

Este recortadora de hilo es puesto actualmente en el 330 mm (13 pulg.) ancho de corte. Para ajustar a una ancho de corte de 381 mm (15 pulg.):

- Apague el motor o el motor eléctrico.
- Afloje el tornillo de la hoja entonces gira la hoja 180°.

FUNCIONAMIENTO

MANEJO DE LA RECORTADORA

Vea la figura 6.

ADVERTENCIA:

Es posible que la carcasa del motor se caliente mientras la recortadora de hilo esté en uso. No apoye ni coloque el brazo, la mano ni ninguna parte del cuerpo contra la carcasa del motor mientras la recortadora esté en uso. Sólo sostenga la recortadora como se muestra en la figura 6 con todas las partes del cuerpo alejadas de la carcasa del motor. El contacto prolongado con la carcasa del motor puede causar quemaduras u otras lesiones.

ADVERTENCIA:

Siempre coloque la unidad al lado derecho de usted. Si se utiliza la unidad colocándola en el lado izquierdo del cuerpo, el usuario expone éste a superficies calientes, lo cual puede causar lesiones por quemadura.

ADVERTENCIA:

Para evitar quemaduras causadas por tocar superficies calientes, al utilizar esta unidad nunca coloque la parte inferior de la misma arriba del nivel de la cintura.

Sujete la recortadora con la mano derecha en el mango trasero y coloque la mano izquierda en el mango delantero. Sujete firmemente la unidad con ambas manos durante la operación. Se recomienda sujetar la recortadora en una posición cómoda, con el mango trasero a la altura de la cadera.

Para los cabezales motores a gas, accione siempre la recortadora a toda marcha o presione el gatillo del interruptor por completo para los cabezales motores inalámbrico o eléctricos. Corte la hierba alta desde la parte superior hacia abajo. Esto evitará que la hierba se enrolle alrededor del alojamiento del eje y del cabezal del hilo que pudiese causar daño por calentamiento excesivo. Si la hierba se enrolla alrededor del cabezal del hilo, **DETENGA EL MOTOR**, desconecte el cable de la bujía para los cabezales motores a gas, retire el paquete de baterías de las cabezal motores inalámbrico o desconecte la clavija del suministro de corriente para los cabezales motores eléctricos, y desprendá la hierba.

ADVERTENCIA:

Siempre sujete la recortadora de hilo lejos del cuerpo, manteniendo un espacio entre el cuerpo y la herramienta. Cualquier contacto del cuerpo con la armazón o el cabezal de corte de la recortadora de hilo puede producir quemaduras y/o otras lesiones serias.

SUGERENCIAS PARA CORTAR

Vea las figuras 6 y 7.

- Evite tocar las superficies calientes de la herramienta; para ello, manténgala lejos del cuerpo. (La posición correcta de manejo de la herramienta se muestra en la figura 6).
- Mantenga la recortadora inclinada hacia el área de corte; ésta es la mejor área de corte.
- La recortadora de eje curvo corta cuando se pasa la unidad de izquierda a derecha. La recortadora de eje recto corta cuando se pasa la unidad de izquierda a derecha. De esta manera se evita el lanzamiento de desechos hacia el operador. Evite cortar en el área peligrosa mostrada en la ilustración en la figura 7.
- Use la punta del hilo para efectuar el recorte; no fuerce el cabezal del hilo hacia la hierba sin cortar.
- Las cercas de alambre y de estacas causa desgaste adicional en el hilo, incluso la ruptura. Los muros de piedra y de ladrillo, los cordones y la madera pueden gastar rápidamente el hilo.
- Evite el contacto con árboles y los arbustos. La corteza de los árboles, las molduras de madera, los revestimientos de las paredes y los postes de las cercas pueden resultar dañados fácilmente por el hilo.

AVANCE DEL HILO UTILIZANDO EL SISTEMA DE AVANCE DE HILO POR GOLPE REEL-EASY™

El avance del hilo se controla golpeando levemente el cabezal del hilo sobre la hierba mientras hace funcionar el motor a toda marcha para los cabezales motores a gas o presiona el gatillo del interruptor por completo para los cabezales motores inalámbrico o eléctricos.

- Para los cabezales motores a gas, haga funcionar el motor a toda marcha o presione el gatillo del interruptor por completo para los cabezales motores inalámbrico o eléctricos.
- Golpee levemente el cabezal sobre el suelo para hacer avanzar el hilo. El hilo avanza cada vez que se golpea el cabezal.
- Quizá se necesiten varios golpes hasta que el hilo haga contacto con la cuchilla de corte.
- Reanude el recortado.

NOTA: Si el hilo se gasta hasta quedar muy corto quizá no pueda avanzar el hilo tras golpear el cabezal contra el suelo. Si así fuese, **DETENGA EL MOTOR**, desconecte el cable de la bujía para los cabezales motores a gas, retire el paquete de baterías de las cabezales motores inalámbrico o desconecte la clavija del suministro de corriente para los cabezales motores eléctricos y avance manualmente el hilo.

AVANCE MANUALMENTE EL HILO

Apagar la unidad y desconecte el cable de la bujía para cabezal de potencia a gas, retire el paquete de baterías de las cabezales motores inalámbrico o desconecte la herramienta del suministro de corriente para cabezales eléctrico. Empuje hacia abajo el retén del carrete mientras tira del hilo, o hilos, según sea el caso, para avanzar manualmente el hilo.

MANTENIMIENTO



ADVERTENCIA:

Al dar servicio a la unidad, sólo utilice piezas de repuesto idénticas. El empleo de piezas diferentes podría causar un peligro o dañar el producto.



ADVERTENCIA:

Siempre póngase protección ocular con protección lateral con la marca de cumplimiento de la norma ANSI Z87.1. La inobservancia de esta advertencia puede permitir que los objetos lanzados hacia los ojos puedan provocarle lesiones graves.



ADVERTENCIA:

Antes de inspeccionar, limpiar o dar mantenimiento a la máquina, apague el motor, espere hasta que se detengan todas las piezas en movimiento, desconecte el cable de la bujía y apártelo de la bujía o desconecte la herramienta del suministro de corriente. El incumplimiento de estas instrucciones puede provocar lesiones personales graves o daños materiales.

MANTENIMIENTO GENERAL

Evite el empleo de solventes al limpiar piezas de plástico. La mayoría de los plásticos son susceptibles a diferentes tipos de solventes comerciales y pueden resultar dañados. Utilice paños limpios para eliminar la suciedad, el polvo, el aceite, la grasa, etc.



ADVERTENCIA:

No permita en ningún momento que fluidos para frenos, gasolina, productos a base de petróleo, aceites penetrantes, etc., lleguen a tocar las piezas de plástico. Los productos químicos pueden dañar, debilitar o destruir el plástico, lo cual podría causar lesiones serias.

A menudo, usted puede efectuar los ajustes y reparaciones descritos aquí. Para otro tipo de reparaciones, lleve la recortadora a un establecimiento de servicio autorizado.

REEMPLAZO DEL CARRETE SISTEMA DE AVANCE DE HILO POR GOLPE REEL-EASY™

Vea las figuras 8 a 11.

Si únicamente va a reabastecer el hilo, consulte la sección **Reabastecimiento del hilo** más adelante en este manual.

Para los cabezales motores a gas, use hilo monofilar de 2,0 mm (0,080 pulg.) o 2,4 mm (0,095 pulg.) de diámetro. Para los cabezales motores inalámbrico o eléctricos, use únicamente hilo monofilar de 2,0 mm (0,080 pulg.) de diámetro.

- Apague la unidad y desconecte el cable de la bujía para cabezal de potencia a gas, retire el paquete de baterías de las cabezales motores inalámbrico o desconecte la herramienta del suministro de corriente para cabezales eléctrico. Sujete el cabezal del hilo y desenrosque el retén del carrete.
- Retire el carrete vacío del cabezal del hilo.
NOTA: No es necesario quitar el alojamiento del cabezal del hilo del eje de impulsión.
- Inserte el nuevo carrete en el cabezal del hilo.
NOTA: Asegúrese de que las flechas en el carrete estén alineadas con los ojillos en el alojamiento del cabezal del hilo. Presione hacia abajo y mantenga presionado el carrete y el alojamiento al mismo tiempo mientras se completa la instalación.
- Vuelva a colocar el retén del carrete para asegurarlo.
- Coloque el hilo como se describe en la sección **Reabastecimiento del hilo**.

REABASTECIMIENTO DEL HILO

Vea la figura 12 y 13.

- Apagar la unidad y desconecte el cable de la bujía para cabezal de potencia a gas, retire el paquete de baterías de las cabezales motores inalámbrico o desconecte la herramienta del suministro de corriente para cabezales eléctrico.
- Gire el carrete hacia la derecha según sea necesario para alinear las flechas del carrete con los ojillos en el alojamiento del cabezal del hilo.
- Corte una pieza de hilo monofilar de 3 m (10 pies) de largo. Inserte el hilo en el ojillo ubicado en el alojamiento de la recortadora de hilo. Empuje hasta que el extremo del hilo salga por el otro lado del cabezal del hilo. Tire del hilo del otro lado hasta que obtenga la misma cantidad de hilo en ambos lados del carrete.
- Gire el carrete hacia la derecha para enrollar el hilo en éste hasta obtener aproximadamente 152,4 mm (6 pulg.) de hilo en cada lado.
- Presione el retén del carrete a la vez que tira del hilo, o hilos, para avanzar manualmente el hilo y para verificar el ensamblaje correcto del cabezal del hilo.

MANTENIMIENTO

MONTAJE DEL COLGADOR DE ALMACENAMIENTO

Vea la figura 14.

Hay dos formas de colgar el accesorio para guardarlo.

- Para usar la tapa de suspensión, oprima el botón y coloque la tapa en el extremo del eje del accesorio. Gire levemente la tapa de un lado a otro hasta que quede asegurado en su lugar el botón.
- El orificio secundario del eje del accesorio también se puede utilizar para colgarlo.

ALMACENAMIENTO DEL ACCESORIO

- Almacene el accesorio en un espacio bien ventilado que sea inaccesible para los niños.
- Evite que la unidad entre en contacto con agentes corrosivos como las sustancias químicas para el jardín y las sales para derretir el hielo.

PIEZAS DE REPUESTO

Línea de repuesto:

Trenzada de 2 mm (0,08 pulg.) (a granel).....AC04138

Trenzada de 2 mm (0,08 pulg.) (precortado).....AC04139

Disponibles en homedepot.com

CORRECCIÓN DE PROBLEMAS

PROBLEMA	CAUSA POSIBLE	SOLUCIÓN
El hilo no avanza cuando se usa el cabezal con alimentación automática	El hilo se pegó a sí mismo.	Lubrique con rociador de silicón.
	No hay suficiente hilo en el carrete	Instale más hilo. Vea la sección Reemplazo del hilo arriba en este manual.
	El hilo se desgastó hasta quedar muy corto.	Tire de hilo secuencias mientras que presiona el botón.
El césped se enrolla alrededor del alojamiento del eje y del cabezal del hilo	El hilo está enredado en el carrete.	Retire el hilo del carrete y vuelva a enrollarlo. Vea la sección Reemplazo del hilo arriba en este manual.
	Se está cortando la hierba alta a nivel del suelo.	Corte la hierba alta desde la parte superior hacia abajo.



LLÁMENOS PRIMERO

Si tiene preguntas sobre el funcionamiento o el mantenimiento este producto, llame al teléfono de atención al consumidor de Ryobi®!

La recortadora ha sido probada enteramente antes de embarcarse para asegurar la satisfacción del consumidor.

GARANTÍA

DECLARACIÓN DE LA GARANTÍA LIMITADA

Techtronic Industries North America, Inc. garantiza al comprador original al menudeo que este producto de la marca RYOBI® carece de defectos en los materiales y en la mano de obra, y acuerda reparar o reemplazar, a la sola discreción de Techtronic Industries North America, Inc., cualquier producto defectuoso, sin cargo alguno al comprador, dentro de los siguientes períodos de tiempo a partir de la fecha de compra.

- Cinco años si los productos se emplean para uso personal, familiar o casero;
- 90 días si el producto se emplea para cualquier otro propósito, como el uso comercial o el de alquiler.

Esta garantía se otorga solamente al comprador original al menudeo, y comienza en la fecha de la compra original al menudeo.

Cualquier parte de este producto Techtronic Industries North America, Inc. que, a juicio razonable de la compañía, tenga defectos en los materiales o en la mano de obra, será reparado o reemplazado por un centro de servicio autorizado de herramientas para uso en el exterior de la marca RYOBI®, sin cargo alguno al comprador por concepto de piezas y mano de obra (Centro de Servicio Autorizado Ryobi).

El producto, incluida toda pieza defectuosa, debe enviarse a un centro de servicio autorizado Ryobi dentro del período de la garantía. El gasto de enviar el producto al centro de servicio para cualquier trabajo cubierto por la garantía, así como el gasto de devolverlo al propietario después de la reparación, correrán por cuenta del propietario. La responsabilidad de Techtronic Industries North America, Inc. con respecto a todo reclamo se limita a las reparaciones o reemplazo del producto, y ningún reclamo de incumplimiento de la garantía será causante de la cancelación o rescisión del contrato de venta de ninguna herramienta de uso en el exterior de la marca RYOBI®. En el establecimiento se requerirá el recibo de compra para respaldar cualquier reclamo al amparo de la garantía. Todo trabajo cubierto en la garantía debe ser realizado por un concesionario de servicio autorizado.

Esta garantía se limita a noventa (90) días a partir de la fecha original de la compra de cualquier herramienta de uso en el exterior de la marca RYOBI® empleada para propósitos comerciales o de alquiler, o cualquier otro propósito generador de ingresos.

Esta garantía no cubre ningún producto que haya sido sujeto a un uso indebido, maltrato, negligencia o accidente, o que haya sido utilizado de cualquier forma contraria a las instrucciones de manejo especificadas en el manual del operador del producto. Esta garantía no aplica a ningún daño en el producto que resulte de un mantenimiento indebido ni a ningún producto que haya sido alterado o modificado. La garantía no cubre ninguna reparación necesaria por el uso normal ni por el uso de piezas o accesorios que sean incompatibles con la herramienta para uso exterior de la marca RYOBI®, o afecten de forma desfavorable su funcionamiento, desempeño o durabilidad.

Además, esta garantía no cubre:

A. Afinación – Bujías, carburador, ajustes del carburador, encendido, filtros

B. Artículos sujetos a desgaste – Perillas de tope, carretes exteriores, hilos de corte, carretes interiores, poleas del arrancador, cuerdas del arrancador, correas de transmisión, aspas, arandelas de fieltro y pasadores de enganche, hojas de triturar, ventiladores de sopladoras, tubos de sopladoras y de aspiradoras, sacos y correas de aspiradoras, barras guía y cadenas de sierras

Techtronic Industries North America, Inc. se reserva el derecho a cambiar o mejorar el diseño de cualquier herramienta para uso en el exterior de la marca RYOBI® sin asumir ninguna obligación de modificar ningún producto fabricado previamente.

TODAS LAS GARANTÍAS IMPLÍCITAS ESTÁN LIMITADAS EN DURACIÓN SEGÚN EL PERÍODO DE GARANTÍA DECLARADA. POR CONSIGUIENTE, CUALQUIER GARANTÍA IMPLÍCITA, INCLUSO LAS DE COMERCIABILIDAD, IDONEIDAD PARA UN PROPÓSITO EN PARTICULAR, O DE CUALQUIER TIPO, PIERDEN TOTALMENTE SU VALIDEZ DESPUÉS DEL VENCIMIENTO DEL PERÍODO DE GARANTÍA CORRESPONDIENTE DE CINCO AÑO O NOVENTA DÍAS. DE CONFORMIDAD CON ESTA GARANTÍA, LA OBLIGACIÓN DE TECHTRONIC INDUSTRIES NORTH AMERICA, INC. SE LIMITA ESTRICTA Y EXCLUSIVAMENTE A LA REPARACIÓN O REPLAZO DE LAS PIEZAS DEFECTUOSAS, Y TECHTRONIC INDUSTRIES NORTH AMERICA, INC. NO ASUME NINGUNA OTRA OBLIGACIÓN, NI AUTORIZA A NADIE ASUMIRLA A NOMBRE DE DICHA COMPAÑÍA. ALGUNOS ESTADOS NO PERMITEN LIMITACIONES EN CUANTO A LA DURACIÓN DE UNA GARANTÍA IMPLÍCITA, POR LO CUAL ES POSIBLE QUE LA LIMITACIÓN ANTERIOR NO SE APLIQUE EN EL CASO DE USTED. TECHTRONIC INDUSTRIES NORTH AMERICA, INC. NO ASUME NINGUNA RESPONSABILIDAD POR DAÑOS DIRECTOS, INDIRECTOS O DE NINGÚN OTRO TIPO, COMO EL GASTO DE ENVIAR EL PRODUCTO A UN CENTRO DE SERVICIO AUTORIZADO RYOBI Y EL GASTO DE ENVIARLO DE ALLÍ AL PROPIETARIO, Y EL TIEMPO DE VIAJE DEL MECÁNICO, CARGOS TELEFÓNICOS O TELEGRÁFICOS, ALQUILER DE UN PRODUCTO SUSTITUTO DURANTE EL TIEMPO DE REALIZACIÓN DEL SERVICIO DE LA GARANTÍA, VIAJES, PÉRDIDA O DAÑOS A OBJETOS DE PROPIEDAD PERSONAL, PÉRDIDA DE INGRESOS, PÉRDIDA DEL USO DEL PRODUCTO, PÉRDIDA DE TIEMPO O INCONVENIENTES. EN ALGUNOS ESTADOS NO SE PERMITE LA EXCLUSIÓN O LIMITACIÓN DE DAÑOS DIRECTOS O INDIRECTOS, POR LO CUAL ES POSIBLE QUE LA LIMITACIÓN O EXCLUSIÓN DESCRITA ARRIBA NO SE APLIQUE EN SU CASO.

Esta garantía le confiere derechos legales específicos, y es posible que usted goce de otros derechos, los cuales pueden variar de estado a estado.

Esta garantía se aplica a todas las herramientas para uso en el exterior de la marca RYOBI® fabricadas por Techtronic Industries North America, Inc. y vendidos en Estados Unidos y Canadá.

Para encontrar el centro de servicio autorizado Ryobi más cercano a usted, llame al 1-800-860-4050.



EXPAND-IT
ATTACHMENTS

OPERATOR'S MANUAL

MANUEL D'UTILISATION / MANUAL DEL OPERADOR

STRAIGHT SHAFT TRIMMER ATTACHMENT

ARBRE DROIT ACCESSOIRE TAILLE-BORDURES

ACCESORIO PARA RECORTAR DE EJE RECTO

RY15523A

CALIFORNIA PROPOSITION 65

⚠ WARNING:

This product and substances that may become airborne from its use may contain chemicals, including lead, known to the State of California to cause cancer, birth defects, or other reproductive harm.
Wash hands after handling.

PROPOSITION 65 DE L'ÉTAT DE CALIFORNIE

⚠ AVERTISSEMENT :

Ce produit et les autres substances rejetées dans l'air suite à son utilisation peuvent contenir des produits chimiques, notamment du plomb qui, selon l'État de la Californie, peuvent causer le cancer, des anomalies congénitales et d'autres dommages au système reproducteur.
Bien se laver les mains après toute manipulation.

CALIFORNIA - PROPUESTA DE LEY NÚM. 65

⚠ ADVERTENCIA:

Este producto y las sustancias que puedan llegar a ser aerotransportadas por su uso pueden contener sustancias químicas (incluido el plomo) reconocidas por el estado de California como causantes de cáncer, defectos congénitos y otras afecciones del aparato reproductor. *Lávese las manos después de utilizar el aparato.*

RYOBI is a registered trademark of Ryobi Limited and is used pursuant to a license granted by Ryobi Limited.

RYOBI est une marque déposée de Ryobi Limited et est utilisée en vertu d'une licence accordée par Ryobi Limited.

RYOBI es una marca registrada de Ryobi Limited y se utiliza conforme a una licencia otorgada por Ryobi Limited.

• PARTS AND SERVICE

Prior to requesting service or purchasing replacement parts, please obtain your model and serial number from the product data plate.

• **MODEL NO.** _____ **SERIAL NO.** _____

• HOW TO OBTAIN REPLACEMENT PARTS:

Replacement parts can be purchased online at www.ryobitools.com or by calling 1-800-860-4050. Replacement parts can also be obtained at one of our Authorized Service Centers.

• HOW TO LOCATE AN AUTHORIZED SERVICE CENTER:

Authorized Service Centers can be located online at www.ryobitools.com or by calling 1-800-860-4050.

• HOW TO OBTAIN CUSTOMER OR TECHNICAL SUPPORT:

To obtain Customer or Technical Support please contact us at 1-800-860-4050.

• • • • •

• PIÈCES ET SERVICE

Avant de faire la demande de service ou l'achat de pièces de remplacement, veuillez obtenir le numéro de série du modèle à partir de la plaque de données du produit.

• **NUMÉRO DE MODÈLE** _____ **NUMÉRO DE SÉRIE** _____

• COMMENT OBTENIR LES PIÈCES DE REMPLACEMENT :

Les pièces de remplacement peuvent être achetées en ligne sur le site www.ryobitools.com ou par téléphone au 1-800-860-4050. Les pièces de remplacement peuvent être obtenues à un de nos centres de service autorisés.

• COMMENT TROUVER UN CENTRE DE SERVICE AUTORISÉ :

Les centres de service autorisés peuvent être localisés en ligne au www.ryobitools.com ou en téléphonant au 1-800-860-4050.

• COMMENT OBTENIR DE L'AIDE EN CONTACTANT LE SERVICE À LA CLIENTÈLE :

Pour contacter le service à la clientèle pour une question technique ou pour tout autre renseignement, veuillez nous téléphoner au 1-800-860-4050.

• • • • •

• PIEZAS DE REPUESTO Y SERVICIO

Antes de solicitar servicio técnico o comprar piezas de repuesto, obtenga su modelo y número de serie de la placa de datos del producto.

• **NÚMERO DE MODELO** _____ **NÚMERO DE SERIE** _____

• CÓMO OBTENER PIEZAS DE REPUESTO:

Las piezas de repuesto se pueden comprar en nuestro sitio en la red mundial, en la dirección www.ryobitools.com o llamando al 1-800-860-4050. Las piezas de repuesto también se pueden obtener en uno de nuestros Centros de Servicio Autorizados.

• CÓMO LOCALIZAR UN CENTRO DE SERVICIO AUTORIZADO:

Puede encontrar los Centros de Servicio Autorizados visitando nuestro sitio en la red mundial, en la dirección www.ryobitools.com or by calling 1-800-860-4050.

• CÓMO OBTENER SERVICIO O ASISTENCIA TÉCNICA AL CONSUMIDOR:

Para obtener Servicio o Asistencia Técnica al Consumidor, sírvase comunicarse con nosotros llamando al 1-800-860-4050.

TECHTRONIC INDUSTRIES NORTH AMERICA, INC.

1428 Pearman Dairy Road, Anderson, SC 29625 USA

1-800-860-4050 • www.ryobitools.com

A subsidiary of Techtronic Industries Co., Ltd. • OTC:TTNDY



EXPAND-IT
ATTACHMENTS

OPERATOR'S MANUAL

MANUEL D'UTILISATION

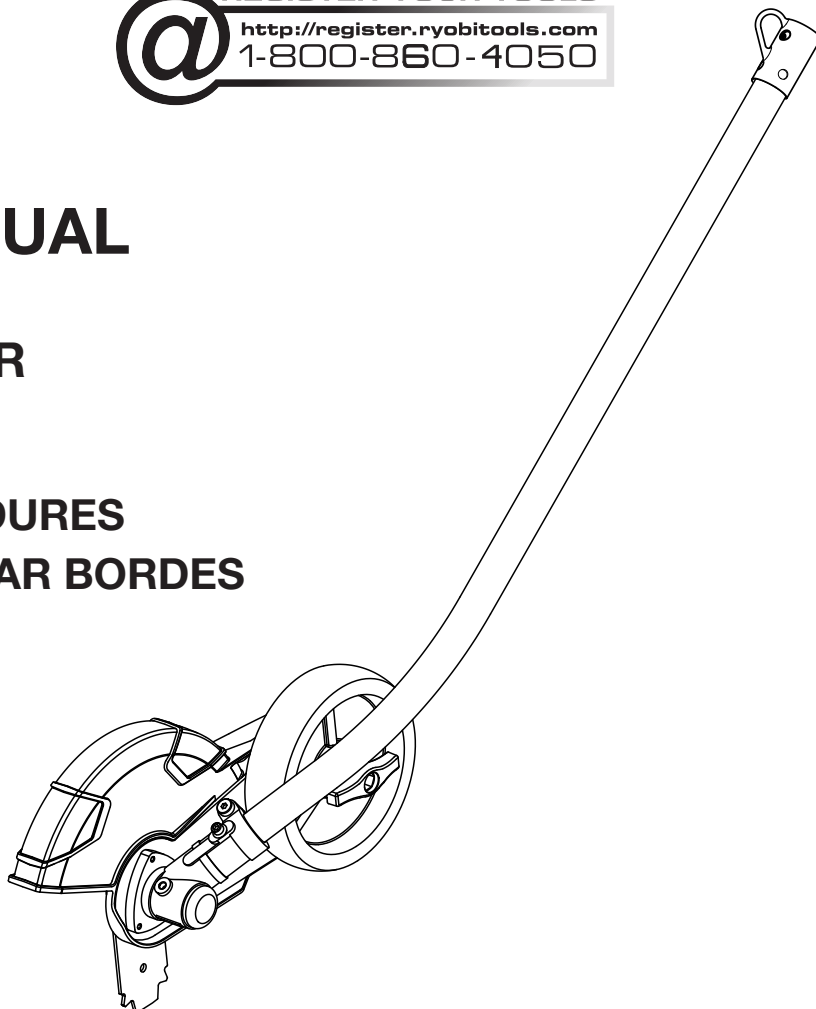
MANUAL DEL OPERADOR

EDGER ATTACHMENT

ACCESSOIRE COUPE-BORDURES

ACCESORIO PARA RECORTAR BORDES

RYEDG12



Your edger attachment has been engineered and manufactured to our high standard for dependability, ease of operation, and operator safety. When properly cared for, it will give you years of rugged, trouble-free performance.

WARNING: To reduce the risk of injury, the user must read and understand the operator's manual before using this product.

Thank you for your purchase.

SAVE THIS MANUAL FOR FUTURE REFERENCE

L'accessoire coupe-bordures a été conçue et fabriquée conformément à nos strictes normes de fiabilité, simplicité d'emploi et sécurité d'utilisation. Correctement entretenue, elle vous donnera des années de fonctionnement robuste et sans problème.

AVERTISSEMENT : Pour réduire les risques de blessures, l'utilisateur doit lire et veiller à bien comprendre le manuel d'utilisation avant d'employer ce produit.

Merci de votre achat.

**CONSERVER CE MANUEL POUR
FUTURE RÉFÉRENCE**

Su nuevo accesorio para recortar bordes ha sido diseñada y fabricada de conformidad con las estrictas normas para brindar fiabilidad, facilidad de uso y seguridad para el operador. Con el debido cuidado, le brindará muchos años de sólido y eficiente funcionamiento.

ADVERTENCIA: Para reducir el riesgo de lesiones, el usuario debe leer y comprender el manual del operador antes de usar este producto.

Le agradecemos su compra.

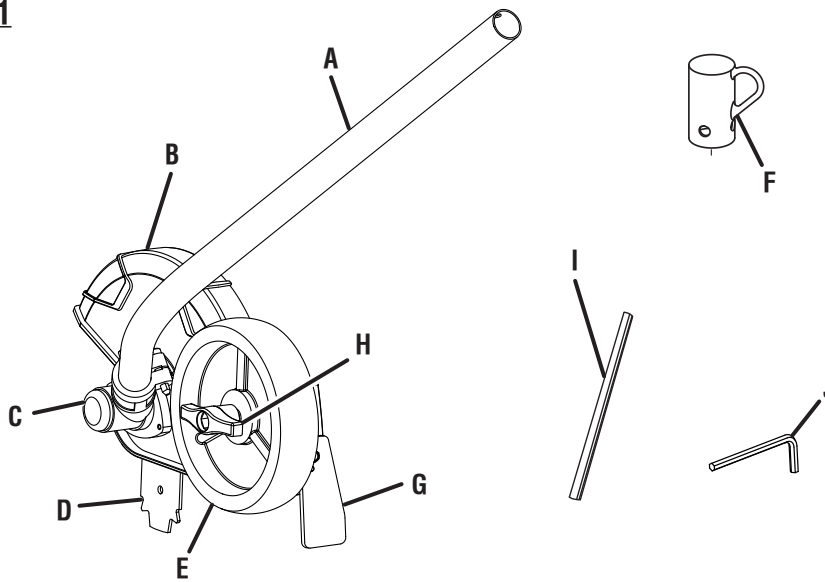
**GUARDE ESTE MANUAL PARA
FUTURAS CONSULTAS**

See this fold-out section for all of the figures referenced in the operator's manual.

Consulter l'encart à volets afin d'examiner toutes les figures mentionnées dans le manuel d'utilisation.

Consulte esta sección desplegable para ver todas las figuras a las que se hace referencia en el manual del operador.

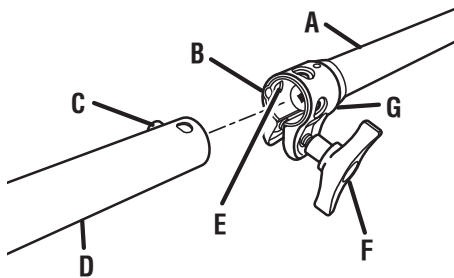
Fig. 1



- A - Edger attachment shaft (arbre de l'accessoire coupe-bordures, eje del accesorio para cortar bordes)
- B - Blade guard (garde de lame, protección de la hoja)
- C - Gear head (carter d'engrenages, cabezal de engranajes)
- D - Blade (lame, hoja)
- E - Guide wheel (roulette de guidage, rueda guía)

- F - Hanger cap (capuchon de suspension, tapa de brazo de suspensión)
- G - Debris flap (bavette à débris, aleta protectora)
- H - Adjusting knob (bouton de réglage, perilla de ajuste)
- I - Holding pin (axe de retenue, pasador de retención)
- J - Hex wrench (clé hex., llave hexagonal)

Fig. 2



- A - Power head shaft (arbre du bloc moteur, eje del cabezal motor)
- B - Guide recess (logement guide, hueco guía)
- C - Button (bouton, botón)
- D - Edger attachment (accessoire coupe-bordures, eje del accesorio para recortar bordes)
- E - Positioning hole (trou de positionnement, orificio de posicionamiento)
- F - Knob (bouton, perilla)
- G - Coupler (coupleur, acoplador)

Fig. 3

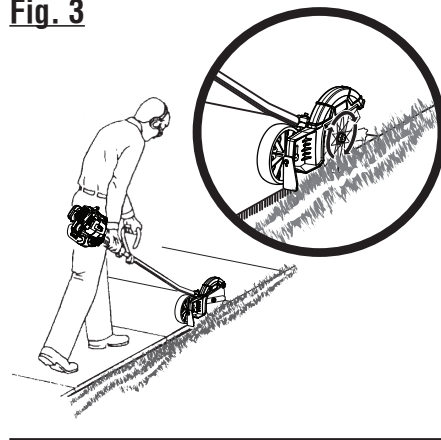
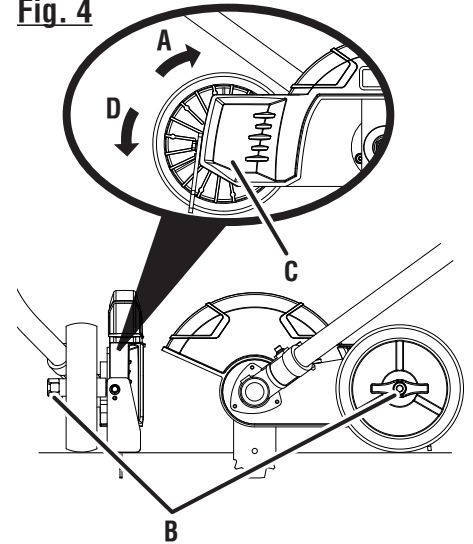
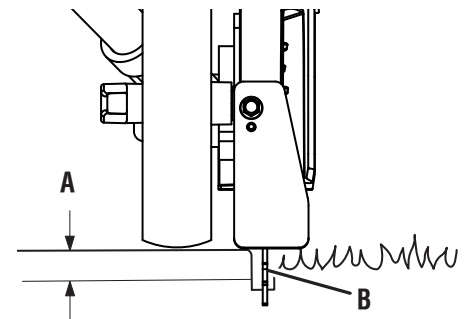


Fig. 4



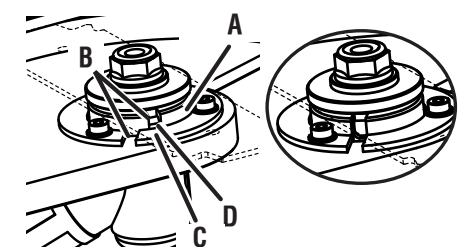
- A - To increase depth (pour augmenter la profondeur, para aumentar la profundidad)
- B - Adjusting knob (bouton de réglage, perilla de ajuste)
- C - Wheel arm (bras de roulette, brazo de la rueda)
- D - To decrease depth (pour réduire la profondeur, para disminuir la profundidad)

Fig. 5



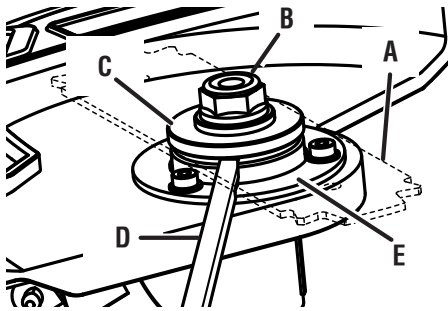
- A - To blade depth (profondeur de coupe, profundidad de la hoja)
- B - Blade (lame, hoja)

Fig. 6



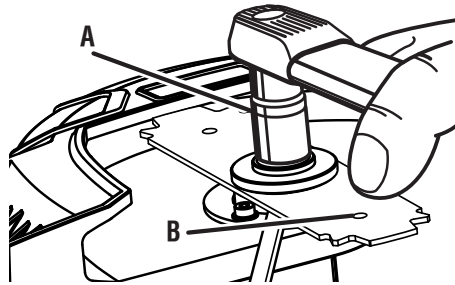
- A - Flange washer (rondelle de flasque, arandela de la brida)
- B - Slots (fentes, ranuras)
- C - Flange (flasque, brida)
- D - Gear case (carter d'engrenages, caja de engranajes)

Fig. 7



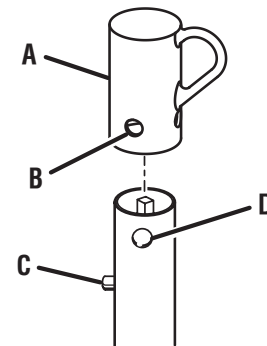
- A - Blade (lame, hoja)
B - Blade nut (écrou de lame, tuerca de la hoja)
C - Cupped washer (rondelle bombée, arandela cóncava)
D - Holding pin inserted into aligned slots (broche de retenue insérée dans les fentes alignées, sujetando el pasador introducido en las ranuras alineadas)
E - Flange (flasque, brida)
-

Fig. 8



- A - 3/4 in. socket wrench [19 mm (3/4 po) clé à douilles, llave de boca tubular de 19 mm (3/4 pulg.)]
B - Indicator hole (trou de l'indicateur, orificio indicador)
-

Fig. 9



- A - Hanger cap (capuchon de suspension, tapa de suspensión)
B - Hole (trou, orificio)
C - Button (bouton, botón)
D - Secondary hole (trou secondaire, orificio secundario)
-

TABLE OF CONTENTS

TABLE DES MATIÈRES / ÍNDICE DE CONTENIDO

■ Introduction	2
Introduction / Introducción	
■ General Safety Rules	3
Règles de sécurité générales / Reglas de seguridad generales	
■ Specific Safety Rules.....	4
Règles de sécurité particulières / Reglas de seguridad específicas	
■ Symbols.....	5
Symboles / Símbolos	
■ Features.....	6
Caractéristiques / Características	
■ Assembly	6-7
Assemblage / Armado	
■ Operation.....	7-8
Utilisation / Funcionamiento	
■ Maintenance	9
Entretien / Mantenimiento	
■ Warranty	10
Garantie / Garantía	
■ Parts Ordering and Service	Back Page
Commande de pièces et réparation / Pedidos de piezas y servicio	Page arrière / Pág. posterior

INTRODUCTION

INTRODUCCIÓN

This product has many features for making its use more pleasant and enjoyable. Safety, performance, and dependability have been given top priority in the design of this product making it easy to maintain and operate.

* * *

Ce produit offre de nombreuses fonctions destinées à rendre son utilisation plus plaisante et satisfaisante. Lors de la conception de ce produit, l'accent a été mis sur la sécurité, les performances et la fiabilité, afin d'en faire un outil facile à utiliser et à entretenir.

* * *

Este producto ofrece numerosas características para hacer más agradable y placentero su uso. En el diseño de este producto se ha conferido prioridad a la seguridad, el desempeño y la fiabilidad, por lo cual se facilita su manejo y mantenimiento.

GENERAL SAFETY RULES



WARNING:

Read and understand all instructions. Failure to follow all instructions listed below may result in electric shock, fire, and/or serious personal injury.

SAVE THESE INSTRUCTIONS

- Read these instructions and the instructions for the power head thoroughly before using the edger attachment.
- Know the tool. Read and understand the operator's manual and observe the warnings and instruction labels affixed to the tool.
- Do not allow children or untrained individuals to use this unit.
- Always wear eye protection with side shields marked to comply with ANSI Z87.1, along with hearing protection when operating this unit.
- Wear heavy long pants, boots, and gloves. Do not wear loose fitting clothing, short pants, jewelry of any kind, sandals, or go barefoot.
- Secure long hair so it is above shoulder level to prevent entanglement in any moving parts.
- Keep all bystanders, children, and pets at least 50 ft. away.
- Stay alert, watch what you are doing, and use common sense when operating a power tool. Do not use tool while tired or under the influence of drugs, alcohol, or medication. A moment of inattention while operating power tools may result in serious personal injury.
- Do not operate in poor lighting.
- Do not overreach. Keep proper footing and balance at all times. Proper footing and balance enables better control of the tool in unexpected situations.
- Keep all parts of your body away from any moving part.
- Inspect unit before each use for loose fasteners and damaged or missing parts. Correct before using the edger attachment. Failure to do so can cause serious injury.
- Use only recommended or equivalent manufacturer's replacement parts and accessories. Use of any other parts may create a hazard or cause product damage.

- Do not, under any circumstance, use any attachment or accessory on this product, which was not provided with the product, or identified as appropriate for use with this product in the operator's manual.
- Avoid dangerous environments. Do not use the attachment in damp or wet locations. Do not use in rain.
- Use the right attachment. Do not use attachment for any job except that for which it is intended.
- Do not touch areas around the muffler or cylinder of a gas power head. These parts get hot from operation. Contact with hot surfaces could result in possible serious personal injury.
- Always stop the engine or motor and remove the spark plug wire, disconnect from the power supply, or remove the battery pack before making any adjustments or repairs.

WHEN USING AN ELECTRIC OR BATTERY POWER HEAD:

- Do not leave appliance when plugged in. Unplug from outlet or remove the battery pack when not in use and before servicing.
- Do not allow to be used as a toy. Close attention is necessary when used by or near children.
- Use only as described in this manual. Use only manufacturer's recommended attachments.
- Do not use with damaged cord, plug, or battery. If appliance is not working as it should, has been dropped, damaged, left outdoors, or dropped into water, return it to a service center.
- Do not pull or carry by cord, use cord as a handle, close a door on cord, or pull cord around sharp edges or corners. Do not run appliance over cord. Keep cord away from heated surfaces.
- Do not unplug by pulling on cord. To unplug, grasp the plug, not the cord.
- Do not handle plug or appliance with wet hands.
- Do not put any object into openings. Do not use with any opening blocked; keep free of dust, lint, hair, and anything that may reduce air flow.
- Keep hair, loose clothing, fingers, and all parts of body away from openings and moving parts.
- Turn off all controls before unplugging or removing the battery pack.

SPECIFIC SAFETY RULES




- Check the work area before each use. Remove all objects such as rocks, broken glass, nails, wire, or string which can be thrown or become entangled in the edger blade.
- Be sure all guards are properly and securely attached.
- Replace dull or worn blade; do not attempt to sharpen.
- Use this edger for edging along sidewalks, driveways, flower beds, and similar areas. Do not use for any other purpose.
- Be thoroughly familiar with the controls. Know how to stop the unit and disengage the controls quickly.
- Do not use the edger on or near graveled surfaces.
- Make yourself familiar with the area you are edging. Be aware of uneven sidewalks and holes in the terrain as well as other similar hazardous conditions (example: wire or wire rope which can break off and become a dangerous projectile). Always push the edger attachment slowly over rough ground.
- Do not attempt to remove cut material nor hold material to be cut when the engine is running or when the cutting blade is moving.
- Keep hands and feet away from the cutting area.
- Always keep your right hand on the rear handle and your left hand on the front handle when the blade is rotating.
- A coasting blade can cause injury while it continues to spin after the engine is stopped or throttle trigger released. Maintain proper control until the blade has completely stopped rotating.
- Check blade nut for tightness before operating the attachment.
- Improper assembly can create a dangerous situation.
- Never stand or have any part of your body in line with the path of the edger blade.
- If the edger strikes any type of foreign object:
 - a) Stop the edger and remove the spark plug wire, disconnect from the power supply or remove the battery pack.
 - b) Inspect for damage to the edger attachment.
 - c) Correct damage before using the edger attachment. Failure to do so can cause serious injury.
- Always stop the engine or motor and remove the spark plug wire, disconnect from the power supply or remove the battery pack before attempting to remove any obstruction caught or jammed in the blade, installing attachment, or making any adjustments.
- Store Idle Appliance Indoors — When not in use, product should be stored indoors in a dry and high or locked up place—out of the reach of children.
- Save these instructions. Refer to them frequently and use them to instruct others who may use this product. If you loan someone this product, loan them these instructions also to prevent misuse of the product and possible injury.

NOTE: SEE YOUR POWER HEAD OPERATOR'S MANUAL FOR ADDITIONAL SPECIFIC SAFETY RULES.








SAVE THESE INSTRUCTIONS

SYMBOLS

The following signal words and meanings are intended to explain the levels of risk associated with this product.

SYMBOL	SIGNAL	MEANING
	DANGER:	Indicates a hazardous situation, which, if not avoided, will result in death or serious injury.
	WARNING:	Indicates a hazardous situation, which, if not avoided, could result in death or serious injury.
	CAUTION:	Indicates a hazardous situation, that, if not avoided, may result in minor or moderate injury.
	NOTICE:	(Without Safety Alert Symbol) Indicates information considered important, but not related to a potential injury (e.g. messages relating to property damage).

Some of the following symbols may be used on this product. Please study them and learn their meaning. Proper interpretation of these symbols will allow you to operate the product better and safer.

SYMBOL	NAME	EXPLANATION
	Safety Alert Symbol	Precautions that involve your safety.
	Read Operator's Manual	To reduce the risk of injury, user must read and understand operator's manual before using this product.
	Wear Eye and Hearing Protection	Always wear eye protection with side shields marked to comply with ANSI Z87.1 as well as hearing protection when operating this equipment.
	Keep Bystanders Away	Keep all bystanders at least 50 ft. away.
	Ricochet	Thrown objects can ricochet and result in personal injury or property damage.
	Sharp Blade	Danger - Keep hands and feet away from blade.
	No Hands Symbol	Failure to keep hands and feet away from the blade will result in serious personal injury.

FEATURES

KNOW YOUR EDGER ATTACHMENT

See Figure 1.

The safe use of this product requires an understanding of the information on the product and in this operator's manual as well as a knowledge of the project you are attempting. Before use of this product, familiarize yourself with all operating features and safety rules.

PRODUCT SPECIFICATIONS

Blade Length	8 in.
Edging Depth.....	Adjustable from 1/2 in. to 2-1/2 in.
Replacement Blade	AC04215

ASSEMBLY

UNPACKING

This product requires assembly.

- Carefully remove the items from the box. Make sure that all items listed in the packing list are included.

WARNING:

Do not use this product if any parts on the Packing List are already assembled to your product when you unpack it. Parts on this list are not assembled to the product by the manufacturer and require customer installation. Use of a product that may have been improperly assembled could result in serious personal injury.

- Inspect the product carefully to make sure no breakage or damage occurred during shipping.
- Do not discard the packing material until you have carefully inspected and satisfactorily operated the tool.
- If any parts are damaged or missing, please call 1-800-860-4050 for assistance.

PACKING LIST

Edger Attachment
Holding Pin
Hex Wrench
Operator's Manual

WARNING:

If any parts are damaged or missing do not operate this product until the parts are replaced. Use of this product with damaged or missing parts could result in serious personal injury.

WARNING:

Do not attempt to modify this product or create accessories not recommended for use with this product. Any such alteration or modification is misuse and could result in a hazardous condition leading to possible serious personal injury.

WARNING:

Do not connect to power head until assembly is complete. Failure to comply could result in accidental starting and possible serious personal injury.

ASSEMBLY

JOINING THE POWER HEAD TO THE EDGER ATTACHMENT

See Figure 2.

WARNING:

Never attach or adjust any attachment while power head is running. Failure to stop the engine or motor could cause serious personal injury.

The edger attachment connects to the power head by means of a coupler device.

- Remove the spark plug wire, disconnect from the power supply, or remove the battery pack.
- Remove the hanger cap from the attachment.
- Loosen the knob on the coupler of the power head shaft.
- Push in the button located on the edger attachment. Align the button with the guide recess on the power head coupler and slide the two shafts together. Rotate attachment shaft until button locks into the positioning hole.

NOTE: If the button does not release completely in the positioning hole, the shaft is not locked into place. Slightly rotate from side to side until the button is locked into place.

- Tighten the knob securely.

WARNING:

Be certain the knob is fully tightened before operating equipment. Check it periodically for tightness during use to avoid serious injury.

REMOVING THE ATTACHMENT FROM THE POWER HEAD

- Stop the engine or motor and remove the spark plug wire, disconnect from the power supply, or remove the battery pack.
- Loosen the knob.
- Push in the button and twist the shafts to remove and separate ends.

OPERATION

WARNING:

Do not allow familiarity with this product to make you careless. Remember that a careless fraction of a second is sufficient to inflict serious injury.

WARNING:

Always wear eye protection with side shields marked to comply with ANSI Z87.1, along with hearing protection. Failure to do so could result in objects being thrown into your eyes and other possible serious injuries.

WARNING:

Do not use any attachments or accessories not recommended by the manufacturer of this product. The use of attachments or accessories not recommended can result in serious personal injury.

NOTICE:

Before each use, inspect the entire product for damaged, missing, or loose parts such as screws, nuts, bolts, caps, etc. Tighten securely all fasteners and caps and do not operate this product until all missing or damaged parts are replaced. Please contact customer service or a qualified service center for assistance.

APPLICATIONS

You may use this product for the purpose listed below:

- Edging around walkways, curbing, flower beds and other similar areas.

OPERATION

USING THE EDGER ATTACHMENT

See Figure 3.

WARNING:

Engine housing on gas power heads may become hot during edger operation. Do not rest or place your arm, hand, or any body part against the engine housing during edger operation. Only hold the edger as shown in figure 3 with all body parts clear of engine housing. Extended contact with the engine housing can result in burns or other injuries.

WARNING:

Always position the unit on the operator's right side. The use of the unit on the operator's left side will expose the operator to hot surfaces and can result in possible burn injury.

WARNING:

To avoid burns from hot surfaces, never operate unit with the bottom of the engine above waist level.

When using the edger attachment, hold the unit with your right hand on the rear handle and your left hand on the front handle. Keep a firm grip with both hands while in operation. The edger should be held at a comfortable position with the rear handle about hip height.

NOTE: When used with a gas power head, always operate at full throttle. Prolonged cutting at partial throttle will result in oil dripping from the muffler.

ADJUSTING DEPTH OF CUT

See Figures 4 - 5.

- Stop the engine or motor and remove the spark plug wire, disconnect from the power supply, or remove the battery pack.
- Loosen the adjusting knob and move the wheel arm up to increase the depth or down to decrease the depth.
- After adjustment is complete, tighten the adjusting knob securely.
- Replace the spark plug wire, connect to the power supply, or reinstall the battery pack and start the unit.

NOTE: Adjust the blade depth from 1/2 in. to 1 in. deep initially. Make a shallow cut to test the cutting depth. If the cutting depth needs adjusting, this should be done progressively until the desired depth is reached.

OPERATING TIPS

- The edger will edge along sidewalks, driveways, flowerbeds, curbs, and similar areas.
- Use the arrow guide on the blade guard to align the blade with the edging surface.
- Cut at a steady pace. If the blade begins to bog down, you are edging too fast; slow your pace. Do not force the blade into ground.
- Light contact of the blade against the sidewalk edge, curb, etc., is acceptable and will not damage the edger.
- Best appearance is obtained when grass is dry. Avoid edging in wet soil or wet grass areas or the blade guard might clog and result in an uneven edge. If the blade guard becomes clogged, stop the engine, remove the spark plug wire, disconnect from the power supply, or remove the battery pack, then remove debris from the blade guard.

MAINTENANCE

WARNING:

Before inspecting, cleaning, or servicing the machine, shut off engine or motor, wait for all moving parts to stop, and disconnect spark plug wire and move it away from spark plug, disconnect from power supply, or remove the battery pack. Failure to follow these instructions can result in serious personal injury or property damage.

WARNING:

Always wear eye protection with side shields marked to comply with ANSI Z87.1, along with hearing protection. Failure to do so could result in objects being thrown into your eyes and other possible serious injuries.

WARNING:

When servicing, use replacement parts that meet or exceed original product specifications. Use of any other parts could create a hazard or cause product damage.

NOTICE:

Periodically inspect the entire product for damaged, missing, or loose parts such as screws, nuts, bolts, caps, etc. Tighten securely all fasteners and caps and do not operate this product until all missing or damaged parts are replaced. Please contact customer service or a qualified service center for assistance.

GENERAL MAINTENANCE

Avoid using solvents when cleaning plastic parts. Most plastics are susceptible to damage from various types of commercial solvents and may be damaged by their use. Use clean cloths to remove dirt, dust, oil, grease, etc.

WARNING:

Do not at any time let brake fluids, gasoline, petroleum-based products, penetrating oils, etc., come in contact with plastic parts. Chemicals can damage, weaken or destroy plastic which may result in serious personal injury.

REPLACING THE BLADE

See Figures 6 - 8.

Replace blades when worn down to indicator hole on blade. Use replacement blade model number AC04215.

- Stop the engine or motor and remove the spark plug wire, disconnect from the power supply, or remove the battery pack.
- Align the slot in the flange washer and gear case with the slot in the flange; place the holding pin through all three slots to secure in place.
- Using a 3/4 in. (19 mm) socket wrench, turn the blade nut clockwise to loosen.
- Remove the old blade from the edger shaft.
- Clean debris from the edger shaft and flange washers.
- Center the new blade on the flange washer, making sure the blade sits flat.
- Install the cupped washer with the hole off of the blade surface.
- Install the blade nut onto the edger shaft.
- Using a 3/4 in. (19 mm) socket wrench, turn the blade nut counterclockwise onto the edger shaft and tighten securely. Torque nut to 11 ft. lbs.
- This replacement part is available from the place of purchase, or by calling customer service.

NOTE: Always make sure the blade is correctly installed and securely fastened before each use.

ATTACHING THE STORAGE HANGER

See Figure 9.

There are two ways to hang the attachment for storage.

- To use the hanger cap, push in the button and place the hanger cap over the end of the attachment shaft. Slightly rotate the cap from side to side until the button locks into place.
- The secondary hole in the attachment shaft can be used for hanging purposes as well.

STORING THE ATTACHMENT

- Store the attachment indoors in a dry, well-ventilated place that is inaccessible to children.
- Keep away from corrosive agents such as garden chemicals and de-icing salts.

WARRANTY

LIMITED WARRANTY STATEMENT

Techtronic Industries North America, Inc., warrants to the original retail purchaser that this RYOBI™ brand outdoor product is free from defect in material and workmanship and agrees to repair or replace, at Techtronic Industries North America, Inc.'s, discretion, any defective product free of charge within these time periods from the date of purchase.

- Three years if the product is used for personal, family or household use;
- 90 days, if used for any other purpose, such as commercial or rental.

This warranty extends to the original retail purchaser only and commences on the date of the original retail purchase.

Any part of this product found in the reasonable judgment of Techtronic Industries North America, Inc. to be defective in material or workmanship will be repaired or replaced without charge for parts and labor by an authorized service center for RYOBI™ brand outdoor products (Authorized Ryobi Service Center).

The product, including any defective part, must be returned to an authorized Ryobi service center within the warranty period. The expense of delivering the product to the service center for warranty work and the expense of returning it back to the owner after repair or replacement will be paid by the owner. Techtronic Industries North America, Inc.'s, responsibility in respect to claims is limited to making the required repairs or replacements and no claim of breach of warranty shall be cause for cancellation or rescission of the contract of sale of any RYOBI™ brand outdoor product. Proof of purchase will be required by the dealer to substantiate any warranty claim. All warranty work must be performed by an authorized service dealer.

This warranty is limited to ninety (90) days from the date of original retail purchase for any RYOBI™ brand outdoor product that is used for rental or commercial purposes, or any other income-producing purpose.

This warranty does not cover any product that has been subject to misuse, neglect, negligence, or accident, or that has been operated in any way contrary to the operating instructions as specified in this operator's manual. This warranty does not apply to any damage to the product that is the result of improper maintenance or to any product that has been altered or modified. The warranty does not extend to repairs made necessary by normal wear or by the use of parts or accessories which are either incompatible with the RYOBI™ brand outdoor product or adversely affect its operation, performance, or durability. In addition, this warranty does not cover:

- A. Tune-ups – Spark Plugs, Carburetor, Carburetor Adjustments, Ignition, Filters
- B. Wear items – Bump Knobs, Outer Spools, Cutting Lines, Inner Reels, Starter Pulleys, Starter Ropes, Drive Belts, Tines, Felt Washers, Hitch Pins, Mulching Blades, Blower Fans, Blower and Vacuum Tubes, Vacuum Bag and Straps, Guide Bars, Saw Chains

Techtronic Industries North America, Inc., reserves the right to change or improve the design of any RYOBI™ brand outdoor product without assuming any obligation to modify any product previously manufactured.

ALL IMPLIED WARRANTIES ARE LIMITED IN DURATION TO THE STATED WARRANTY PERIOD. ACCORDINGLY, ANY SUCH IMPLIED WARRANTIES INCLUDING MERCHANTABILITY, FITNESS FOR A PARTICULAR PURPOSE, OR OTHERWISE, ARE DISCLAIMED IN THEIR ENTIRETY AFTER THE EXPIRATION OF THE APPROPRIATE THREE-YEAR OR NINETY-DAY WARRANTY PERIOD. TECHTRONIC INDUSTRIES NORTH AMERICA, INC.'S, OBLIGATION UNDER THIS WARRANTY IS STRICTLY AND EXCLUSIVELY LIMITED TO THE REPAIR OR REPLACEMENT OF DEFECTIVE PARTS AND TECHTRONIC INDUSTRIES NORTH AMERICA, INC., DOES NOT ASSUME OR AUTHORIZE ANYONE TO ASSUME FOR THEM ANY OTHER OBLIGATION. SOME STATES DO NOT ALLOW LIMITATIONS ON HOW LONG AN IMPLIED WARRANTY LASTS, SO THE ABOVE LIMITATION MAY NOT APPLY TO YOU. TECHTRONIC INDUSTRIES NORTH AMERICA, INC., ASSUMES NO RESPONSIBILITY FOR INCIDENTAL, CONSEQUENTIAL, OR OTHER DAMAGES INCLUDING, BUT NOT LIMITED TO, EXPENSE OF RETURNING THE PRODUCT TO AN AUTHORIZED RYOBI SERVICE CENTER AND EXPENSE OF DELIVERING IT BACK TO THE OWNER, MECHANIC'S TRAVEL TIME, TELEPHONE OR TELEGRAM CHARGES, RENTAL OF A LIKE PRODUCT DURING THE TIME WARRANTY SERVICE IS BEING PERFORMED, TRAVEL, LOSS OR DAMAGE TO PERSONAL PROPERTY, LOSS OF REVENUE, LOSS OF USE OF THE PRODUCT, LOSS OF TIME, OR INCONVENIENCE. SOME STATES DO NOT ALLOW THE EXCLUSION OR LIMITATION OF INCIDENTAL OR CONSEQUENTIAL DAMAGES, SO THE ABOVE LIMITATION OR EXCLUSION MAY NOT APPLY TO YOU.

This warranty gives you specific legal rights, and you may also have other rights which vary from state to state.

This warranty applies to all RYOBI™ brand outdoor products manufactured by or for Techtronic Industries North America, Inc., and sold in the United States and Canada.

To locate your nearest Authorized Ryobi Service Center, dial 1-800-860-4050.

RÈGLES DE SÉCURITÉ GÉNÉRALES



AVERTISSEMENT :

Lire et veiller à bien comprendre toutes les instructions. Le non-respect de toutes les instructions ci-dessous peut entraîner un choc électrique, un incendie et/ou des blessures graves.

CONSERVER CES INSTRUCTIONS

- Lire attentivement ces instructions et celles du moteur avant d'utiliser cet accessoire.
- Apprendre à connaître l'outil. Lire et veiller à bien comprendre le manuel de l'opérateur et observer les avertissements et les instructions des autocollants apposés sur l'outil.
- Ne pas laisser des enfants ou des personnes n'ayant pas reçu une formation adéquate utiliser cet outil.
- Pour utiliser cet outil, toujours porter une protection oculaire avec écrans latéraux certifiée conforme à la norme ANSI Z87.1, avec protection auditive.
- Porter des pantalons longs, des chaussures de travail et des gants épais. Ne pas porter de vêtements amples, shorts, bijoux quels qu'ils soient, des sandales et ne pas travailler pieds nus.
- Attacher les cheveux longs pour les maintenir au-dessus des épaules, afin qu'ils ne se prennent pas dans les pièces en mouvement.
- Garder les badauds, enfants et animaux domestiques à une distance minimum de 15 m (50 pi).
- Rester attentif, prêter attention au travail et faire preuve de bon sens lors de l'utilisation de tout outil électrique. Ne pas utiliser cet outil en état de fatigue ou sous l'influence d'alcool, de drogues ou de médicaments. Un moment d'inattention pendant l'utilisation d'un outil électrique peut entraîner des blessures graves.
- Ne pas travailler sous un éclairage insuffisant.
- Ne pas travailler hors de portée. Toujours se tenir bien campé et en équilibre. Des pieds bien campés et un bon équilibre permettent de mieux contrôler l'outil en cas de situation imprévue.
- Garder toutes les parties du corps à l'écart des pièces en mouvement.
- Inspecter l'appareil avant chaque utilisation pour s'assurer qu'il n'y a pas de fixations desserrées ou de pièces endommagées ou manquantes. Effectuer les corrections requises avant d'utiliser l'accessoire coupe-bordures. Ne pas prendre cette précaution peut entraîner des risques de blessures graves.
- Utiliser exclusivement des pièces de rechange et accessoires de recommandés ou équivalents. L'usage de toute autre pièce pourrait créer une situation dangereuse ou endommager l'outil.

- N'utiliser en aucun cas un accessoire ou un outil non fourni avec le produit, ou non indiqué comme pouvant être utilisé sur l'outil dans le manuel d'utilisation.
- Éviter les environnements dangereux. Ne pas utiliser l'accessoire dans des endroits humides ou mouillés. Ne pas utiliser sous la pluie.
- Utiliser l'accessoire approprié. Ne pas utiliser l'accessoire dans une application pour laquelle il n'a pas été prévu.
- Ne pas toucher les alentours de l'échappement ou du cylindre de l'ensemble moteur à essence. Ces pièces deviennent très chaudes en cours de fonctionnement. Le contact avec des surfaces brûlantes pourrait entraîner des blessures graves.
- Toujours arrêter le moteur et débrancher le fil de la bougie, débrancher de la prise secteur ou retirer le bloc-piles avant d'effectuer tout entretien ou réglage.

AU MOMENT D'UTILISER UN ENSEMBLE MOTEUR ÉLECTRIQUE OU PILE :

- Ne pas laisser l'appareil branché sans surveillance; le débrancher ou retirer le bloc-piles lorsqu'il n'est pas utilisé et avant de procéder à son entretien.
- Cet appareil n'est pas un jouet. Porter une attention particulière en présence d'enfants.
- Utiliser le produit tel que décrit dans le présent manuel. Utiliser uniquement des accessoires recommandés par le fabricant.
- Ne pas utiliser l'appareil si le cordon, la fiche ou le bloc-piles est endommagé. Si l'appareil ne fonctionne pas correctement, s'il a été échappé, s'il est endommagé ou s'il est tombé dans l'eau, envoyez le au centre de réparations.
- Ne pas tirer l'appareil ou le transporter par le cordon d'alimentation, ne pas utiliser le cordon comme poignée ou fermer une porte sur ce dernier, ni le faire longer des arêtes tranchantes ou des coins. Ne pas faire fonctionner l'appareil au-dessus du cordon. Tenir le cordon d'alimentation éloigné des surfaces brûlantes.
- Ne pas débrancher l'appareil en tirant sur le cordon. Tirer plutôt sur la fiche.
- Ne pas manipuler la fiche ou l'appareil avec les mains mouillées.
- Ne placer aucun objet dans les ouvertures. Ne pas utiliser le produit si l'une ou l'autre des ouvertures est obstruée. Enlever toute la poussière, toutes les peluches et tous les cheveux, ou tout autre élément pouvant réduire la circulation de l'air.
- Garder les cheveux, les vêtements amples, les doigts ainsi que toutes les parties du corps à l'écart des ouvertures et des pièces en mouvement.
- Si l'appareil n'est pas utilisé, mettre les commandes à la position d'arrêt avant de le débrancher ou de retirer le bloc-piles.

RÈGLES DE SÉCURITÉ PARTICULIÈRES




- Déblayer la zone de travail avant chaque utilisation. La débarrasser de tous les objets tels que cailloux, verre brisé, clous, fils métalliques, cordes, etc., risquant d'être projetés ou de se prendre dans la lame du coupe-bordures.
- S'assurer que tous les dispositifs de protection sont correctement et solidement fixés.
- Remplacer les lames émoussées ou usées; ne pas tenter de les affûter.
- Ce coupe-bordures permet d'effectuer la finition des trottoirs, allées et massifs de fleurs. Ne pas l'utiliser pour d'autres applications.
- Bien se familiariser avec les commandes. Savoir arrêter l'appareil et débrayer rapidement l'entraînement.
- Ne pas utiliser le coupe-bordures sur ou à proximité de surfaces gravillonnées.
- Se familiariser avec le terrain sur lequel sont effectuées les finitions. Faire attention aux trottoirs irréguliers et aux trous dans le terrain ainsi qu'aux autres situations présentant un danger semblable (exemple : ne jamais utiliser de fil ou câble métallique qui pourrait se briser et devenir un projectile dangereux). Toujours pousser lentement l'accessoire coupe-bordure sur les terrains irréguliers.
- Ne pas essayer de retirer de l'herbe coupée de l'outil ou de tenir l'herbe à couper lorsque le moteur tourne ou la lame est en rotation.
- Garder la lame tournante loin des mains et des pieds.
- Lorsque la lame est en rotation, toujours tenir l'outil avec la main droite sur la poignée arrière et la main gauche sur la poignée avant.
- Une lame continuant de tourner au débrayé une fois que le moteur est arrêté et la gâchette relâchée peut causer des blessures. Garder le contrôle de l'outil jusqu'à ce que la lame soit complètement immobilisée.
- S'assurer que l'écrou de lame est serré solidement avant d'utiliser l'accessoire.
- Un assemblage inadéquat peut entraîner une situation dangereuse.
- Ne jamais se tenir vis-à-vis du chemin de coupe et garder toutes les parties du corps à l'écart de celui-ci.
- Si le coupe-bordures cogne un objet quelconque :
 - a) Arrêter le coupe-bordure et débrancher le fil de la bougie, débrancher de la prise secteur ou retirer le bloc-piles.
 - b) Inspecter le coupe-bordures pour voir s'il est endommagé.
 - c) Effectuer les corrections requises avant d'utiliser l'accessoire coupe-bordures. Ne pas prendre cette précaution peut entraîner des risques de blessures graves.
- Toujours éteindre le moteur et débrancher le fil de la bougie, débrancher de la prise secteur ou retirer le bloc-piles avant d'essayer de retirer des objets pris dans la lame ou la bloquant, avant d'installer la lame ou avant d'effectuer tout réglage.
- Entreposer ce outil à l'intérieur – Quand l'outil n'est pas utilisé, il devrait être entreposé à l'intérieur, dans un endroit sec ou haut c'est sécuritaire – hors de la portée des enfants.
- Conserver ces instructions. Les consulter fréquemment et les utiliser pour instruire les autres utilisateurs éventuels. Si cet outil est prêté, il doit être accompagné de ces instructions, afin d'éviter un usage incorrect et d'éventuelles blessures.

NOTE : CONSULTEZ LE MANUEL D'UTILISATION DE BLOC MOTEUR POUR DE TÊTE POUR DES SUPPLEMENTAIRE RÈGLES DE SÉCURITÉ PARTICULIÈRES.








CONSERVER CES INSTRUCTIONS

SYMBOLES

Les termes de mise en garde suivants et leur signification ont pour but d'expliquer le degré de risques associé à l'utilisation de ce produit.

SYMBOLE	SIGNAL	SIGNIFICATION
	DANGER :	Indique une situation dangereuse qui, si elle n'est pas évitée, aura pour conséquences des blessures graves ou mortelles.
	AVERTISSEMENT :	Indique une situation dangereuse qui, si elle n'est pas évitée, pourrait entraîner des blessures graves ou mortelles.
	ATTENTION :	Indique une situation dangereuse qui, si elle n'est pas évitée, pourrait entraîner des blessures légères ou de gravité modérée.
	AVIS :	(Sans symbole d'alerte de sécurité) Indique les informations jugées importantes sans toutefois représenter un risque de blessure (ex. : messages concernant les dommages matériels).

Certains des symboles ci-dessous peuvent être présents sur la produit. Veiller à les étudier et à apprendre leur signification. Une interprétation correcte de ces symboles permettra d'utiliser la produit plus efficacement et de réduire les risques.

SYMBOLE	NOM	EXPLICATION
	Symbole d'alerte de sécurité	Précautions destinées à assurer la sécurité.
	Lire le manuel d'utilisation	Pour réduire les risques de blessures, l'utilisateur doit lire et veiller à bien comprendre le manuel d'utilisation avant d'utiliser ce produit.
	Porter une protection oculaire et auditive	Toujours porter une protection oculaire avec écrans latéraux certifiée conforme à la norme ANSI Z87.1, ainsi qu'une protection auditive lors de l'utilisation de cet outil.
	Ne laisser personne s'approcher	Ne jamais laisser quiconque se tenir à moins de 15 m (50pi) de l'outil.
	Danger de ricochet	Ne pas utiliser le coupe-bourdures sans le protecteur. Rester éloigné de la tête de coupe rotative.
	Coupe-fil tranchant	Pour éviter de graves blessures, ne pas toucher au coupe-fil tranchant.
	Symbole Garder les mains à l'écart	Le non respect de cette mise en garde peut entraîner des blessures graves.

CARACTÉRISTIQUES

APPRENDRE À CONNAÎTRE L'ACCESSOIRE COUPE-BORDURES

Voir la figure 1.

L'utilisation sûre de ce produit exige une compréhension des renseignements figurant sur l'outil et contenus dans le manuel d'utilisation, ainsi qu'une bonne connaissance du projet entrepris. Avant d'utiliser ce produit, se familiariser avec toutes ses caractéristiques et règles de sécurité.

FICHE TECHNIQUE

Longueur de lame203,2 mm (8 po)

Profondeur de chant....Adjustable entre 13 mm à 63,5 mm
(1/2 po à 2-1/2 po)

Lame de rechange..... AC04215

ASSEMBLAGE

DÉBALLAGE

Ce produit doit être assemblé.

- Retirer soigneusement les articles du carton. S'assurer que toutes les pièces figurant sur la liste de contrôle sont incluses.



AVERTISSEMENT :

Ne pas utiliser le produit si, en le déballant, vous constatez que des éléments figurant dans la Liste de contrôle d'expédition sont déjà assemblés. Certaines pièces figurant sur cette liste n'ont pas été assemblées par le fabricant et exigent une installation. Le fait d'utiliser un produit qui a été assemblé de façon inadéquate peut entraîner des blessures.

- Examiner soigneusement produit pour s'assurer que rien n'a été brisé ou endommagé en cours de transport.
- Ne pas jeter les matériaux d'emballage avant d'avoir soigneusement examiné l'outil et vérifié qu'il fonctionne correctement.
- Si des pièces sont manquantes ou endommagées, appeler le 1-800-860-4050.

LISTE DE CONTRÔLE D'EXPÉDITION

Accessoire coupe-bordures

Axe de retenue

Clé hex.

Manuel d'utilisation



AVERTISSEMENT :

Si des pièces manquent ou sont endommagées, ne pas utiliser ce produit avant qu'elles aient été remplacées. Le fait d'utiliser ce produit même s'il contient des pièces endommagées ou s'il lui manque des pièces peut entraîner des blessures graves.



AVERTISSEMENT :

Ne pas essayer de modifier ce produit ou de créer des accessoires non recommandés pour le produit. De telles altérations ou modifications sont considérées comme un usage abusif et peuvent créer des conditions dangereuses, risquant d'entraîner des blessures graves.



AVERTISSEMENT :

Ne pas brancher sur le bloc-moteur avant d'avoir terminé l'assemblage. Le non-respect de cet avertissement peut causer un démarrage accidentel, entraînant des blessures graves.

ASSEMBLAGE

RACCORDEMENT DU BLOC MOTEUR À L'ACCESSOIRE COUPE-BORDURES

Voir la figure 2.

AVERTISSEMENT :

Ne jamais installer ou ajuster un accessoire lorsque le moteur tourne. Ceci pourrait causer des blessures graves.

L'accessoire coupe-bordures se raccorde au bloc-moteur à l'aide d'un dispositif de couplage.

- Débrancher le fil de la bougie, débrancher de la prise secteur ou retirer le bloc-piles.
- Retirer le capuchon de suspension de l'accessoire
- Desserrer le bouton du coupleur de l'arbre du bloc moteur.
- Appuyer sur le bouton se trouvant sur l'accessoire coupe-bordures. Aligner le bouton sur la rainure guide du bloc moteur et emboîter les deux arbres. Tourner l'arbre de l'accessoire jusqu'à ce que le bouton de verrouillage s'engage dans le trou de positionnement.

NOTE : Si les boutons ne s'engagent pas complètement dans les trous de positionnement, les arbres ne sont pas solidement maintenus l'un dans l'autre. Tourner légèrement les arbres dans les deux sens jusqu'à ce que le bouton s'engage complètement.

- Serrer le bouton fermement.

AVERTISSEMENT :

S'assurer que le bouton est bien serré avant d'utiliser l'outil. Vérifier de temps à autre pour éviter le risque de blessures graves.

RETRAIT DE L'ACCESSOIRE DU BLOC MOTEUR

- Arrêter le coupe-bordures et débrancher le fil de la bougie, débrancher de la prise secteur ou retirer le bloc-piles.
- Desserrer le bouton.
- Enfoncer le bouton et tourner les arbres pour retirer et séparer les extrémités.

UTILISATION

AVERTISSEMENT :

Ne pas laisser la familiarité avec le produit faire oublier la prudence. Ne pas oublier qu'une fraction de seconde d'inattention peut entraîner des blessures graves.

AVERTISSEMENT :

Toujours porter une protection oculaire avec écrans latéraux certifiée conforme à la norme ANSI Z87.1, avec protection auditive. Si cette précaution n'est pas prise, des objets peuvent être projetés dans les yeux et d'autres lésions graves.

AVERTISSEMENT :

Ne pas utiliser d'outils ou accessoires non recommandés par le fabricant de ce produit. L'utilisation de pièces et accessoires non recommandés peut entraîner des blessures graves.

AVIS :

Avant chaque utilisation, inspecter au complet le produit afin de s'assurer qu'aucune pièce (vis, écrous, boulons, chapeaux, etc.) n'est endommagée, manquante ou desserrée. Serrer solidement toutes les pièces de fixation et les chapeaux et ne pas utiliser le produit tant que toutes les pièces manquantes ou endommagées n'ont pas été remplacées. Pour obtenir de l'aide, veuillez communiquer avec le service à la clientèle ou un centre de réparations qualifié.

APPLICATIONS

Cet produit peut être utilisé pour les application ci-dessous:

- Tailler rapidement les bordures d'allées, de trottoirs, massifs de fleurs et autres endroits similaires.

UTILISATION

UTILISATION DE L'ACCESSOIRE COUPE-BORDURES

Voir la figure 3.

AVERTISSEMENT :

Le logement du moteur peut devenir chaud pendant l'utilisation du coupe-bordures (sur les ensembles moteur à essence). Éviter de placer ou d'appuyer le bras, la main ou toute autre partie du corps contre le logement du moteur pendant l'utilisation du coupe-bordures. Tenir l'outil uniquement dans la position illustrée à la figure 3 en s'assurant qu'aucune partie du corps ne se trouve à proximité du logement du moteur. Un contact prolongé avec le logement du moteur peut entraîner des brûlures ou d'autres blessures.

AVERTISSEMENT :

Toujours tenir l'outil à sa droite. L'utilisation à gauche exposerait l'utilisateur aux surfaces chaudes, créant ainsi des risques de brûlures.

AVERTISSEMENT :

Pour éviter le contact avec les parties brûlantes, ne jamais travailler avec le bas du moteur au-dessus du niveau de la taille.

Pour utiliser l'accessoire coupe-bordures, tenir l'appareil avec la main droite sur la poignée arrière et la main gauche sur la poignée avant. Tenir fermement les deux poignées pendant le fonctionnement. La coupe-bordures doit être tenue dans une position confortable, la poignée arrière se trouvant à peu près à hauteur de la hanche.

NOTE : Lorsqu'il est utilisé avec un ensemble moteur à essence, toujours faire fonctionner l'outil à pleine puissance. Une opération de coupe prolongée à une puissance partielle peut entraîner une fuite d'huile du silencieux.

POUR RÉGLER LA PROFONDEUR DE COUPE

Voir les figures 4 et 5.

- Arrêter le coupe-bordures et débrancher le fil de la bougie, débrancher de la prise secteur ou retirer le bloc-piles.
- Desserrer le bouton de réglage et déplacer le bras de la roulette vers le haut pour augmenter la profondeur et vers le bas pour la réduire.
- Une fois le réglage terminé, bien serrer le bouton de réglage.
- Rebrancher le fil de la bougie, rebrancher sur la prise secteur ou réinstaller le bloc-piles et mettre l'outil en marche.

NOTE : Régler initialement la profondeur de coupe entre 13 à 25 mm (1/2 po à 1 po). Faire une coupe peu profonde pour tester la profondeur de coupe. Si celle-ci doit être modifiée, le faire progressivement jusqu'à ce que la profondeur voulue soit atteinte.

CONSEILS D'UTILISATION

- Le coupe-bordures permet d'effectuer la finition des trottoirs, allées et massifs de fleurs, terre-pleins et autres endroits semblables.
- À l'aide de la flèche de guidage placée sur le protège-lame, aligner la lame avec le bord de la surface à finir.
- Couper à une vitesse régulière. Si la lame se met à peiner, c'est que la vitesse de travail est trop rapide; il faut la réduire. Ne pas forcer la lame dans la terre.
- Un léger contact de la lame contre le bord du trottoir, le terre-plein, etc., est acceptable et n'abîmera pas le coupe-bordures.
- Le meilleur aspect est obtenu lorsque l'herbe est sèche. Éviter de travailler sur un sol humide ou de l'herbe mouillée, car le protège-lame pourrait s'encrasser et produire une bordure irrégulière. Si le protège-lame s'encrasse, arrêter le moteur, débrancher le fil de la bougie, débrancher de la prise secteur ou retirer le bloc-piles, puis retirer les débris du protège-lame.

ENTRETIEN

AVERTISSEMENT :

Avant d'inspecter, nettoyer ou entretenir l'équipement, couper le moteur, attendre que toutes les pièces en mouvement s'arrêtent, déconnecter le fil de la bougie et l'écartier de la bougie, débrancher de la prise secteur ou retirer le bloc-piles. Le non-respect de ces instructions peut entraîner des blessures graves ou des dégâts matériels.

AVERTISSEMENT :

Toujours porter une protection oculaire avec écrans latéraux certifiée conforme à la norme ANSI Z87.1, avec protection auditive. Si cette précaution n'est pas prise, des objets peuvent être projetés dans les yeux et d'autres lésions graves.

AVERTISSEMENT :

Lors de l'entretien, utiliser des pièces de rechange fabriqué pour être conforme ou supérieur les spécifications du produit original. L'usage de toute autre pièce pourrait créer une situation dangereuse ou endommager l'outil.

AVIS :

Inspecter périodiquement au complet le produit afin de s'assurer qu'aucune pièce (vis, écrous, boulons, chapeaux, etc.) n'est endommagée, manquante ou desserrée. Serrer solidement toutes les pièces de fixation et les chapeaux et ne pas utiliser le produit tant que toutes les pièces manquantes ou endommagées n'ont pas été remplacées. Pour obtenir de l'aide, veuillez communiquer avec le Service à la clientèle ou un centre de réparations qualifié.

ENTRETIEN GÉNÉRAL

Éviter d'utiliser des solvants pour le nettoyage des pièces en plastique. La plupart des matières plastiques peuvent être endommagées par divers types de solvants du commerce. Utiliser un chiffon propre pour éliminer la saleté, la poussière, l'huile, la graisse, etc.

AVERTISSEMENT :

Ne jamais laisser de liquides tels que le fluide de freins, l'essence, les produits à base de pétrole, les huiles pénétrantes, etc., entrer en contact avec les pièces en plastique. Les produits chimiques peuvent endommager, affaiblir ou détruire le plastique, ce qui peut entraîner des blessures graves.

REPLACEMENT DE LES LAME

Voir les figures 6 à 8.

Remplacer la lame lorsqu'elle est usée jusqu'au trou de l'indicateur. Utiliser de lame de remplacement modèle AC04215.

- Arrêter le coupe-bordures et débrancher le fil de la bougie, débrancher de la prise secteur ou retirer le bloc-piles.
- Aligner les encoches de la rondelle de flasque, du carter d'engrenage et du flasque, puis placer la clavette de blocage dans les trois encoches pour bloquer l'ensemble en place.
- À l'aide d'une clé à douille de 19 mm (3/4 po), desserrer l'écrou de la lame en tournant dans le sens des aiguilles d'une montre.
- Retirer la lame utilisée de son axe.
- Enlever les débris de l'axe et des rondelles de flasque.
- Centrer la nouvelle lame sur la rondelle de flasque, en veillant à ce qu'elle soit bien à plat.
- Installer la rondelle bombée dans le trou en conservant un écart avec la surface de la lame.
- Mettre l'écrou de la lame en place sur l'axe.
- À l'aide d'une clé à douille de 19 mm (3/4 po), serrer l'écrou de la lame sur l'axe en tournant dans le sens inverse des aiguilles d'une montre. Couple l'écrou à 14,9 Nm (11 pi-lb).
- Cette pièce de rechange peut être obtenue chez le détaillant qui a vendu l'outil ou en appelant le service à la clientèle.

NOTE : Avant chaque utilisation, toujours s'assurer que la e est correctement installée et solidement assujettie.

INSTALLATION DE L'ANNEAU DE SUSPENSION

Voir la figure 9.

Il existe deux façons de suspendre l'accessoire pour le remisage.

- Pour installer l'anneau de suspension, appuyer sur le bouton et emboîter le capuchon sur l'arbre d'extrémité. Tourner légèrement le capuchon dans un sens et l'autre pour enclencher le bouton.
- Le trou secondaire de l'arbre d'accessoire peut également être utilisé pour suspendre l'accessoire.

RANGEMENT DE L'ACCESSOIRE

- Ranger l'accessoire à l'intérieur dans un endroit sec, bien aéré et inaccessible aux enfants.
- La tenir à l'écart de produits corrosifs, tels que les produits chimiques de jardinage et le sel de dégivrage.

GARANTIE

ÉNONCÉ DE LA GARANTIE LIMITÉE

Techtronic Industries North America, Inc., garantit à l'acheteur original que ce produit RYOBI™ est exempt de tous vices de matériaux ou de fabrication et s'engage à réparer ou remplacer gratuitement, à son choix, tout produit s'avérant défectueux au cours des périodes indiquées ci-dessous, à compter de la date d'achat.

- Trois ans sur les produits utilisés par des particuliers ;
- 90 jours sur les produits utilisés à toutes autres fins, telles que les travaux commerciaux et la location.

Cette garantie n'est offerte qu'à l'acheteur original et entre en vigueur à la date de l'achat original.

Toute pièce de ce produit jugée, après évaluation raisonnable par Techtronic Industries North America, Inc., comme présentant des vices de matériaux ou de fabrication, sera réparée ou remplacée, sans facturation pour pièces ou main d'oeuvre par un centre de réparations agréé pour produits d'extérieur de marque RYOBI™ (centre de réparations Ryobi agréé).

Le produit, y compris toutes les pièces défectueuses devront être retournés à un centre de réparations Ryobi agréé, avant expiration de la période de garantie. Les frais d'expédition au centre de réparations pour les travaux sous garantie et de retour au propriétaire du produit seront assumés par le propriétaire. En ce qui concerne les réclamations en garantie, la responsabilité Techtronic Industries North America, Inc., se limitera à la réparation ou au remplacement des produits défectueux et aucune revendication de rupture de garantie ne pourra causer l'annulation ou la résiliation du contrat de vente d'un produit d'extérieur RYOBI™ quel qu'il soit. Une preuve d'achat sera exigée par le centre de réparation, afin de valider toute réclamation au titre de la garantie. Toutes les réparations sous garantie devront être effectuées par un centre de réparations agréé.

La garantie sur tout produit d'extérieur RYOBI™ utilisé pour la location, des travaux commerciaux ou tout autre usage lucratif, sera limitée à quatre-vingt-dix (90) jours, à compter de la date d'achat au détail original.

Cette garantie ne couvre pas les produits ayant fait l'objet d'un usage abusif ou négligent, d'un manque d'entretien, ayant été impliqués dans un accident ou employé de façon contraire aux instructions du manuel d'utilisation. Cette garantie ne couvre ni les dommages aux produits résultant d'un manque d'entretien, ni les produits qui ont été altérés ou modifiés. La garantie exclut les réparations rendues nécessaires par l'usure normale ou l'utilisation de pièces et accessoires incompatibles avec le produit d'extérieur RYOBI™ ou nuisibles à son bon fonctionnement, ses performances ou sa durabilité. En outre, cette garanti exclut :

A. Les réglages – Bougies, carburateur, réglages du carburateur, allumage, filtres

B. Les articles consommables – Boutons d'avance par choc, bobines externes, lignes de coupe, bobines internes, poulies et cordons de lanceur, courroies d'entraînement, dents, rondelles en feutre, axes d'attelage, lames de paillage, ventilateur de soufflante, tubes de soufflage et d'aspiration, sacs à débris, guides, chaînes de scie

Techtronic Industries North America, Inc., se réserve le droit d'apporter des modifications ou améliorations à tout produit extérieur RYOBI™, sans obligation de modifier les produits fabriqués antérieurement.

LA DURÉE DE TOUTES LES GARANTIES IMPLICITES NE SAURAIT EN AUCUN CAS EXCÉDER LA PÉRIODE DE GARANTIE DÉCLARÉE. PAR CONSÉQUENT, TOUTES LES GARANTIES IMPLICITES, Y COMPRIS LES GARANTIES DE VALEUR MARCHANDE OU D'ADÉQUATION À UN USAGE PARTICULIER OU AUTRES SERONT INVALIDÉES À L'EXPIRATION DE LA PÉRIODE DE GARANTIE APPROPRIÉE DE TROIS ANS OU QUATRE-VINGT-DIX JOURS. LES OBLIGATIONS DE TECHTRONIC INDUSTRIES NORTH AMERICA, INC., DANS LE CADRE DE CETTE GARANTIE SE LIMITENT EXCLUSIVEMENT À LA RÉPARATION OU AU REMPLACEMENT DES PIÈCES DÉFECTUEUSES ET TECHTRONIC INDUSTRIES NORTH AMERICA, INC. N'ASSUME OU N'AUTORISE QUICONQUE À ASSUMER QUELQUE AUTRE OBLIGATION QUE CE SOIT. CERTAINS ÉTATS ET PROVINCES NE PERMETTANT PAS DE LIMITATION DE DURÉE DES GARANTIES IMPLICITES, LES RESTRICTIONS CI-DESSOUS PEUVENT NE PAS ÊTRE APPLICABLES. TECHTRONIC INDUSTRIES NORTH AMERICA, INC., DÉCLINE TOUTE RESPONSABILITÉ EN CE QUI CONCERNE LES DOMMAGES DIRECTS, INDIRECTS OU AUTRES, Y COMPRIS, MAIS SANS S'Y LIMITER, LES FRAIS DE RETOUR DE PRODUITS À UN CENTRE DE RÉPARATION RYOBI AGRÉÉ ET DE RENVOI AU PROPRIÉTAIRE, DE DÉPLACEMENT D'UN TECHNICIEN, DE TÉLÉPHONE OU TÉLÉGRAMME, DE LOCATION D'UN PRODUIT SIMILAIRE PENDANT LA DURÉE DES RÉPARATIONS SOUS GARANTIE, DE DÉPLACEMENT, DE PERTES OU DOMMAGES À DES BIENS PERSONNELS, DE MANQUE À GAGNER, DE PERTE D'USAGE DU PRODUIT, DE PERTE DE TEMPS OU DE DÉRANGEMENT. CERTAINS ÉTATS ET PROVINCES NE PERMETTANT L'EXCLUSION OU LA LIMITATION DES DOMMAGES DIRECTS OU INDIRECTS, LES RESTRICTIONS CI-DESSOUS PEUVENT NE PAS ÊTRE APPLICABLES.

Cette garantie donne au consommateur des droits spécifiques, et celui-ci peut bénéficier d'autres droits, qui varient selon les états ou provinces.

Cette garantie couvre tous les produits d'extérieur RYOBI™ fabriqués par Techtronic Industries North America, Inc., vendus aux États-Unis et au Canada.

Pour obtenir l'adresse du centre de réparations Ryobi agréé le plus proche, appeler le 1-800-860-4050.

REGLAS DE SEGURIDAD GENERALES

ADVERTENCIA:

Lea y comprenda todas las instrucciones. El incumplimiento de las instrucciones señaladas abajo puede causar descargas eléctricas, incendios y lesiones serias.

GUARDE ESTAS INSTRUCCIONES

- Lea detenidamente estas instrucciones y las instrucciones para su cabezal motor antes de utilizar el accesorio de sopladora.
- Familiarícese con la herramienta. Lea y comprenda el manual del operador y observe las advertencias y etiquetas de instrucciones adheridas a la herramienta.
- No permita que utilicen esta unidad niños ni personas carentes de la debida instrucción para su manejo.
- Cuando utilice este producto, siempre póngase protección ocular con protección lateral con la marca de cumplimiento de la norma ANSI Z87.1, junto con protección auditiva.
- Póngase pantalones, botas y guantes gruesos. No se ponga ropa holgada, pantalones cortos, joyería de ningún tipo, sandalias o ni ande descalzo.
- Recójase el cabello si lo tiene largo, de manera que le quede arriba de los hombros para evitar que se enrede en las piezas en movimiento.
- Mantenga a todos los circunstantes, niños y animales por lo menos a 15 m (50 pies) de distancia.
- Permanezca alerta, preste atención a lo que esté haciendo, y aplique el sentido común al utilizar herramientas eléctricas. No utilice la herramienta si está cansado o se encuentra bajo los efectos de alguna droga, alcohol o medicamento. Un momento de inatención al utilizar una herramienta eléctrica puede causar lesiones corporales serias.
- No utilice este producto si no hay luz suficiente.
- No estire el cuerpo para alcanzar mayor distancia. Mantenga una postura firme y buen equilibrio en todo momento. Una postura firme y un buen equilibrio permiten un mejor control de la herramienta en situaciones inesperadas.
- Mantenga todas las partes del cuerpo alejadas de toda pieza móvil.
- Inspeccione la unidad antes de cada uso para verificar que no haya pernos sueltos no partes dañadas o faltantes. Efectúe las correcciones necesarias antes de utilizar el accesorio del soplador. La inobservancia de esta advertencia puede causar lesiones serias.
- Use solamente piezas y accesorios de repuesto recomendados o equivalentes del fabricante. El empleo de piezas diferentes puede causar un peligro o dañar el producto.

- En ninguna circunstancia, use accesorio o accesorio alguno en este producto, que no se haya suministrado con el producto mismo, o que no esté identificado como apropiado para el uso con este producto en el manual del operador.
- Evite los entornos peligrosos de trabajo. No use el accesorio en lugares húmedos o mojados. No lo use en la lluvia.
- Utilice el accesorio adecuado para la tarea. No utilice este producto para ninguna función diferente de las especificadas.
- No toque las zonas alrededor del silenciador o cilindro del cabezal del motor a gasolina. Estas piezas se calientan durante el funcionamiento. El contacto con superficies calientes puede causar posibles lesiones graves.
- Siempre apague el motor y desconecte el cable de la bujía, desconecte la unidad del suministro de corriente o retire el paquete de baterías antes de efectuar cualquier tarea de ajuste o reparación.

CUANDO UTILIZA UN CABEZAL MOTOR ELÉCTRICO O BATERÍA:

- No deje el aparato mientras esté enchufado. Desenchúfelo de la toma de corriente o retire el paquete de baterías cuando no se utiliza y antes de darle servicio.
- No permita que se use este artefacto como un juguete. Es necesario que preste mucha atención si se lo utiliza cerca de niños.
- Solo utilice el producto como se describe en este manual. Utilice solamente accesorios recomendados por el fabricante.
- No lo utilice si está dañado el cordón, el enchufe o el paquete de baterías. Si el artefacto no está funcionando como debería, si se ha caído, dañado o mojado diríjase al centro de servicios.
- No tire del cordón ni lo acarree tomándolo por este, ni utilice el cordón como mango, ni cierre una puerta en el cordón, ni tire del cordón alrededor de bordes o esquinas afilados. No pase el aparato sobre el cordón. Mantenga el cordón alejado de las superficies calientes.
- No lo desenchufe tirando del cordón. Para desenchufarlo, sujete el enchufe, no el cordón.
- No manipule el enchufe o el aparato con las manos mojadas.
- No coloque objetos en los orificios. No utilice la unidad con orificios bloqueados, manténgala libre de polvo, hilachas, cabellos y todo aquello que pueda disminuir el flujo de aire.
- Mantenga el cabello, la ropa holgada, los dedos y todas las partes del cuerpo alejados de las aberturas y piezas móviles de la unidad.
- Apague los controles antes de desconectar la unidad o retirar el paquete de baterías.

REGLAS DE SEGURIDAD ESPECÍFICAS




- Despeje el área de trabajo cada vez antes de utilizar la herramienta. Retire todos los objetos como piedras, vidrio roto, clavos, alambre o cuerda que puedan salir disparados o enredarse en la hoja de la recortadora de bordes.
- Asegúrese de que todas las protecciones estén firmemente instaladas y de forma correcta.
- Si la hoja está desafilada o desgastada, cámbiela; no intente afilarla.
- Use esta recortadora de bordes a lo largo de aceras, caminos de entrada, macizos de flores y áreas similares. No la use para ningún otro propósito.
- Familiarícese completamente con todos los controles. Aprenda la forma de apagar la unidad y de desactivar los controles con rapidez.
- No utilice la recortar de bordes en la lluvia en superficies de grava ni cerca de las mismas.
- Familiarícese con el área donde está recortando bordes. Esté consciente del desnivel de las aceras, de todo agujero existente en el terreno y de toda condición peligrosa similar (ejemplo: alambre o cable, segmentos de los cuales pueden desprenderse y convertirse en peligrosos proyectiles). En terreno áspero siempre empuje lentamente el accesorio para recortar bordes.
- No intente retirar material cortado ni sujetar material por cortar mientras esté funcionando el motor o esté girando la hoja de corte.
- Mantenga los manos y los pies del alejados área de corte.
- Siempre mantenga la mano derecha en el mango trasero y la mano izquierda en el mango delantero cuando esté girando la hoja.
- La hoja de corte puede causar lesiones en su giro de inercia después de apagar el motor o de soltar el gatillo del acelerador. Mantenga un control adecuado de la herramienta hasta que se detenga por completo la hoja de corte.
- Verifique que la tuerca de la hoja esté ajustada antes de utilizar el accesorio.
- Si no se monta la unidad correctamente, se puede producir una situación peligrosa.
- Nunca debe pararse ni colocar ninguna parte de su cuerpo en la línea de corte de la hoja para cortar bordes.
- Si la recortadora bordes toca cualquier objeto extraño:
 - a) Apague la recortadora de bordes y desconecte el cable de la bujía, desconecte la unidad del suministro de corriente o retire el paquete de baterías.
 - b) Inspeccione el accesorio para recortar bordes para ver si está dañado.
 - c) Corrija todo daño presente antes de utilizar el accesorio para cortar bordes. La inobservancia de esta advertencia puede causar lesiones corporales serias.
- Antes de quitar una obstrucción atorada o atascada en la hoja, instalar un accesorio o realizar cualquier ajuste, apague siempre el motor y retire el cable de la bujía, desconecte la unidad del suministro de corriente o retire el paquete de baterías.
- Guarde el aparato que no se están usando en el interior – Cuando no esté en uso, se debe guardar el producto en el interior, en un lugar seco, alto o bajo llave – fuera del alcance de los niños.
- Guarde estas instrucciones. Consúltelas con frecuencia y empléelas para instruir a otras personas que puedan utilizar esta herramienta. Si presta a alguien esta herramienta, facilítele también las instrucciones con el fin de evitar un uso indebido del producto y posibles lesiones.

NOTA: VEA LA MANUAL DEL OPERADOR DE CABEZAL DE MOTOR PARA REGLAS DE SEGURIDAD ESPECÍFICAS ADICIONALES.








GUARDE ESTAS INSTRUCCIONES

SÍMBOLOS

Las siguientes palabras de señalización y sus significados tienen el objeto de explicar los niveles de riesgo relacionados con este producto.

SÍMBOLO	SEÑAL	SIGNIFICADO
	PELIGRO:	Indica una situación peligrosa, la cual, si no se evita, causará la muerte o lesiones serias.
	ADVERTENCIA:	Indica una situación peligrosa, la cual, si no se evita, podría causar la muerte o lesiones serias.
	PRECAUCIÓN:	Indica una situación peligrosa la cual, si no se evita, puede causar lesiones leves o moderadas.
	AVISO:	(Sin el símbolo de alerta de seguridad) Indica la información que se considera importante, pero no relacionada con lesiones potenciales (por ej. en relación a daños a la propiedad).

Es posible que se empleen en este producto algunos de los siguientes símbolos. Le suplicamos estudiarlos y aprender su significado para mayor seguridad al manejar este producto.

SÍMBOLO	NOMBRE	EXPLICACIÓN
	Símbolo de alerta de seguridad	Precauciones para su seguridad.
	Lea el manual del operador	Para reducir el riesgo de lesiones, el usuario debe leer y comprender el manual del operador antes de usar este producto.
	Póngase protección para los ojos y los oídos	Cuando utilice este producto, siempre póngase protección ocular con protección lateral con la marca de cumplimiento de las normas ANSI Z87.1, así como protección para los oídos.
	Mantenga alejadas a las personas presentes	Mantenga a los circunstantes a una distancia mínima de 15 m (50 pies).
	Rebote	Cualquier objeto lanzado puede rebotar y producir lesiones personales o daños físicos.
	Hoja Afilada	Peligro – Para evitar una lesión grave, no toque la hoja que corta la cuerda.
	Símbolo de no acercar las manos	Si no mantiene las manos alejadas de la hoja de corte, se causará serias lesiones corporales.

CARACTERÍSTICAS

FAMILIARÍCESE CON EL ACCESORIO PARA RECORTAR BORDES

Vea la figura 1.

Para usar este producto con la debida seguridad se debe comprender la información indicada en la herramienta misma y en este manual, y se debe comprender también el trabajo que intenta realizar. Antes de usar este producto, familiarícese con todas las características de funcionamiento y normas de seguridad del mismo.

ESPECIFICACIONES DEL PRODUCTO

Longitud de la hoja.....	203,2 mm (8 pulg.)
Profundidad del recorte Adjustable entre 13 mm a 63,5 mm (1/2 pulg. a 2-1/2 pulg.)	
Hoja de reemplazo	AC04215

ARMADO

DESEMPAQUETADO

Este producto requiere armarse.

- Retire cuidadosamente los artículos de la caja. Asegúrese de que estén presentes todos los artículos enumerados en la lista de empaquetado.

ADVERTENCIA:

No utilice este producto si alguna pieza incluida en la Lista de empaquetado ya está ensamblada al producto cuando lo desempaqueta. El fabricante no ensambla las piezas de esta lista en el producto. Éstas deben ser instaladas por el usuario. El uso de un producto que puede haber sido ensamblado de forma inadecuada podría causar lesiones personales graves.

- Inspeccione cuidadosamente el producto para asegurarse de que no haya sufrido roturas o daños durante el envío.
- No deseche el material de empaquetado hasta que haya inspeccionado cuidadosamente la herramienta y la haya utilizado satisfactoriamente.
- Si hay piezas dañadas o faltantes, le suplicamos llamar al 1-800-860-4050, donde le brindaremos asistencia.

LISTA DE EMPAQUETADO

Accesorio para recortar bordes
Pasador de retención
Llave hexagonal
Manual del operador

ADVERTENCIA:

Si falta o está dañada alguna pieza, no utilice este producto sin haber reemplazado la pieza. Usar este producto con partes dañadas o faltantes puede causar lesiones serias al operador.

ADVERTENCIA:

No intente modificar este producto ni hacer accesorios no recomendados para la misma. Cualquier alteración o modificación constituye maltrato el cual puede causar una condición peligrosa, y como consecuencia posibles lesiones corporales serias.

ADVERTENCIA:

No conecte la unidad al cabezal motor antes de terminar de armarla. De lo contrario la unidad puede ponerse en marcha accidentalmente, con el consiguiente riesgo de lesiones serias.

ARMADO

ACOPLAMIENTO DEL CABEZAL DE POTENCIA AL ACCESORIO PARA RECORTAR BORDES

Vea la figura 3.

ADVERTENCIA:

Nunca una ni ajuste ningún accesorio mientras esté funcionando el cabezal motor. Si no se detiene el motor podría causar lesiones personales graves.

El accesorio para recortar bordes se acopla al cabezal de potencia por medio de un dispositivo acoplador.

- Desconecte el cable de la bujía, desconecte la unidad del suministro de corriente o retire el paquete de baterías.
- Retire la tapa de suspensión del accesorio.
- Afloje la perilla en el acoplador del eje del cabezal motor.
- Oprima el botón situado en el accesorio para recortar bordes. Alinee el botón con el hueco guía situado en el acoplador del eje del cabezal motor y con un movimiento de deslizamiento una los dos ejes. Gire el accesorio para recortar de eje recto hasta que el botón se trabe en el orificio de posicionamiento.

NOTA: Si los botones no se sueltan completamente en el orificio de posicionamiento, significa que los ejes no están bien asegurados en su lugar. Gire levemente los ejes de un lado a otro hasta que el botón quede asegurado en su lugar.

- Apriete firmemente la perilla.

ADVERTENCIA:

Asegúrese de que esté bien apretada la perilla antes de utilizar el equipo. Verifique periódicamente el apriete de la misma durante el uso para evitar lesiones serias.

DESMONTAJE DEL ACCESORIO DEL CABEZAL MOTOR

- Apague el motor y desconecte el cable de la bujía, desconecte la unidad del suministro de corriente o retire el paquete de baterías.
- Afloje la perilla.
- Oprima el botón y gire los ejes para separar los extremos de los mismos.

FUNCIONAMIENTO

ADVERTENCIA:

No permita que su familiarización con este producto le vuelva descuidado. Tenga presente que un descuido de un instante es suficiente para infligir una lesión grave.

ADVERTENCIA:

Siempre póngase protección ocular con la marca de cumplimiento de la norma ANSI Z87.1 junto con protección para los oídos. La inobservancia de esta advertencia puede permitir que los objetos lanzados hacia los ojos y otros provocarle lesiones graves.

ADVERTENCIA:

No utilice ningún accesorio o accesorio no recomendado por el fabricante de esta producto. El empleo de accesorios o accesorios no recomendados podría causar lesiones serias.

AVISO:

Antes de cada uso, inspeccione todo el producto para detectar partes dañadas, faltantes o sueltas, como tornillos, tuercas, pernos, tapas, etc. Apriete firmemente todos los sujetadores y las tapas y no accione este producto hasta que todas las partes faltantes o dañadas sean reemplazadas. Póngase en contacto con el servicio al cliente o con un centro de servicio calificado para obtener ayuda.

APLICACIONES

Este producto puede emplearse para los fines enumerados abajo:

- Cortado los bordes del césped de aceras, de las maneras de la entrada, macizos de flores y de las áreas similares.

FUNCIONAMIENTO

FUNCIONAMIENTO CON EL ACCESORIO PARA RECORTAR BORDES

Vea la figura 3.



ADVERTENCIA:

Es posible que la carcasa del motor (en los cabezales motores a gas) se caliente mientras la recortadora de bordes esté en uso. No apoye ni coloque el brazo, la mano ni ninguna parte del cuerpo contra la carcasa del motor mientras la recortadora de bordes esté en uso. Sólo sostenga la recortadora de bordes como se muestra en la figura 3 con todas las partes del cuerpo alejadas de la carcasa del motor. El contacto prolongado con la carcasa del motor puede causar quemaduras u otras lesiones.



ADVERTENCIA:

Siempre coloque la unidad al lado derecho de usted. Si se utiliza la unidad colocándola en el lado izquierdo del cuerpo, el usuario expone éste a superficies calientes, lo cual puede causar lesiones por quemadura.



ADVERTENCIA:

Para evitar quemaduras causadas por tocar superficies calientes, al utilizar esta unidad nunca coloque la parte inferior de la misma arriba del nivel de la cintura.

Al usar el accesorio para recortar bordes, sujete la unidad con la mano derecha en la asa trasera y coloque la mano izquierda en la asa frontal. Sujete firmemente la unidad con ambas manos durante la operación. Se recomienda sujetar el soplador en una posición confortable con la asa trasera a la altura de la cadera.

NOTA: Cuando se utiliza con un cabezal motor a gas, haga trabajar la unidad siempre a la máxima aceleración. Si realiza cortes a una aceleración parcial durante un tiempo prolongado, goteará aceite del silenciador.

PARA AJUSTAR LA PROFUNDIDAD DE LA HOJA

Vea las figuras 4 y 5.

- Apague el motor y desconecte el cable de la bujía, desconecte la unidad del suministro de corriente o retire el paquete de baterías.
- Para aumentar la profundidad del corte afloje la perilla de ajuste y desplace hacia arriba el brazo de la rueda, y para disminuir dicha profundidad desplácelo hacia abajo.
- Después de terminar el ajuste apriete firmemente la perilla de ajuste.
- Conecte el cable de la bujía, conecte la unidad al suministro de corriente y vuelva a instalar el paquete de batería, según corresponda.

NOTA: Inicialmente ajuste la profundidad de la hoja de 13 mm a 25 mm (de 1/2 pulg. a 1 pulg.). Efectúe un corte superficial para probar la profundidad de corte. Si la profundidad de corte necesita ajuste, debe efectuarse de manera progresiva hasta lograrse la profundidad deseada.

CONSEJOS DE OPERACIÓN

- La cortadora de bordes corta a lo largo de aceras, caminos de entrada, macizos de flores, bordillos y áreas similares.
- Básese en la guía de la flecha situada en la protección de la hoja para alinear ésta con la superficie de corte.
- Efectúe el corte a un paso estable. Si comienza a atascarse la hoja, significa que usted está efectuando con demasiada rapidez el corte; aminore el paso. No fuerce la hoja a entrar en la tierra.
- Un contacto leve de la hoja contra el borde de la acera, bordillo, etc., es aceptable y no se daña la cortadora de bordes.
- Se logra el mejor aspecto cuando está seco el pasto. Evite cortar bordes en áreas donde esté húmeda la tierra o el pasto, o de lo contrario podría atascarse la protección de la hoja, con el consiguiente borde desigual resultante. Si se atasca la protección de la hoja, apague el motor, desconecte el cable de la bujía, desconecte la unidad del suministro de corriente o retire el paquete de baterías, luego limpie todos los desechos presentes en la protección de la hoja.

MANTENIMIENTO

ADVERTENCIA:

Antes de inspeccionar, limpiar o dar mantenimiento a la máquina, apague el motor, espere hasta que se detengan todas las piezas en movimiento, desconecte el cable de la bujía y apártelo de la bujía, desconecte la unidad del suministro de corriente o retire el paquete de baterías. El incumplimiento de estas instrucciones puede provocar lesiones personales graves o daños materiales.

ADVERTENCIA:

Siempre póngase protección ocular con la marca de cumplimiento de la norma ANSI Z87.1 junto con protección para los oídos. La inobservancia de esta advertencia puede permitir que los objetos lanzados hacia los ojos y otros provoque lesiones graves.

ADVERTENCIA:

Al dar servicio a la unidad, utilice piezas de repuesto que cumplen o superan las especificaciones del producto original. El empleo de piezas diferentes podría causar un peligro o dañar el producto.

AVISO:

Inspeccione periódicamente todo el producto para detectar partes dañadas, faltantes o sueltas, como tornillos, tuercas, pernos, tapas, etc. Apriete firmemente todos los sujetadores y las tapas y no accione este producto hasta que todas las partes faltantes o dañadas sean reemplazadas. Póngase en contacto con el servicio al cliente o con un centro de servicio calificado para obtener ayuda.

MANTENIMIENTO GENERAL

Evite el empleo de solventes al limpiar piezas de plástico. La mayoría de los plásticos son susceptibles a diferentes tipos de solventes comerciales y pueden resultar dañados. Utilice paños limpios para eliminar la suciedad, el polvo, el aceite, la grasa, etc.

ADVERTENCIA:

No permita en ningún momento que fluidos para frenos, gasolina, productos a base de petróleo, aceites penetrantes, etc., lleguen a tocar las piezas de plástico. Los productos químicos pueden dañar, debilitar o destruir el plástico, lo cual puede causar lesiones serias.

REEMPLAZO DEL LAS HOJA

Vea las figuras 6 a 8.

Reemplace las hojas cuando se hayan desgastado hasta llegar al orificio indicador. Utilice la hoja de repuesto número de modelo AC04215.

- Apague el motor y desconecte el cable de la bujía, desconecte la unidad del suministro de corriente o retire el paquete de baterías.
- Alinee la ranura de la arandela de la brida y la de la caja de engranajes con la ranura de la brida; coloque el pasador de retención a través de las tres ranuras para asegurar todo en su lugar.
- Con una llave de tuercas de boca tubular de 19 mm (3/4 pulg.) gire hacia la derecha la tuerca de la hoja para aflojarla.
- Retire la hoja vieja del eje de la recortadora de bordes.
- Limpie la basura acumulada en el eje de la recortadora y en las arandelas de las bridas.
- Centre la hoja nueva en la arandela de la brida, asegurándose de dejarla bien asentada en la misma.
- Instale la arandela cóncava de manera que la hoja no se instale directamente sobre el agujero.
- Instale la tuerca de la hoja en el eje de la recortadora de bordes.
- Con una llave de tuercas de boca tubular de 19 mm (3/4 pulg.) gire hacia la izquierda la tuerca de la hoja en el eje de la recortadora de bordes y apriétela firmemente. Aplique una torsión de la tuerca a 14,9 Nm (11 pies lbs).
- Esta pieza de repuesto puede adquirirse en el lugar donde se compró la unidad, o llamando al servicio al cliente.

NOTA: Cada vez antes de usar la unidad asegúrese de que la hoja esté instalada correctamente y firmemente asegurada.

MONTAJE DEL COLGADOR DE ALMACENAMIENTO

Vea la figura 9.

Hay dos formas de colgar el accesorio para guardarlo.

- Para usar la tapa de suspensión, oprima el botón y coloque la tapa en el extremo del eje del accesorio. Gire levemente la tapa de un lado a otro hasta que quede asegurado en su lugar el botón.
- El orificio secundario del eje del accesorio también se puede utilizar para colgarlo.

ALMACENAMIENTO DEL ACCESORIO

- Guarde el accesorio dentro en un espacio bien ventilado inaccesible a los niños.
- Mantenga la unidad alejada de agentes corrosivos como los productos químicos para el jardín y las sales para derretir el hielo.

GARANTÍA

DECLARACIÓN DE LA GARANTÍA LIMITADA

Techtronic Industries North America, Inc. garantiza al comprador original al menudeo que este producto de la marca RYOBI™ carece de defectos en los materiales y en la mano de obra, y acuerda reparar o reemplazar, a la sola discreción de Techtronic Industries North America, Inc., cualquier producto defectuoso, sin cargo alguno al comprador, dentro de los siguientes períodos de tiempo a partir de la fecha de compra.

- Tres años si los productos se emplean para uso personal, familiar o casero;
- 90 días si el producto se emplea para cualquier otro propósito, como el uso comercial o el de alquiler.

Esta garantía se otorga solamente al comprador original al menudeo, y comienza en la fecha de la compra original al menudeo.

Cualquier parte de este producto Techtronic Industries North America, Inc. que, a juicio razonable de la compañía, tenga defectos en los materiales o en la mano de obra, será reparado o reemplazado por un centro de servicio autorizado de herramientas para uso en el exterior de la marca RYOBI™, sin cargo alguno al comprador por concepto de piezas y mano de obra (Centro de Servicio Autorizado Ryobi).

El producto, incluida toda pieza defectuosa, debe enviarse a un centro de servicio autorizado Ryobi dentro del período de la garantía. El gasto de enviar el producto al centro de servicio para cualquier trabajo cubierto por la garantía, así como el gasto de devolverlo al propietario después de la reparación, correrán por cuenta del propietario. La responsabilidad de Techtronic Industries North America, Inc. con respecto a todo reclamo se limita a las reparaciones o reemplazo del producto, y ningún reclamo de incumplimiento de la garantía será causante de la cancelación o rescisión del contrato de venta de ninguna herramienta de uso en el exterior de la marca RYOBI™. En el establecimiento se requerirá el recibo de compra para respaldar cualquier reclamo al amparo de la garantía. Todo trabajo cubierto en la garantía debe ser realizado por un concesionario de servicio autorizado.

Esta garantía se limita a noventa (90) días a partir de la fecha original de la compra de cualquier herramienta de uso en el exterior de la marca RYOBI™ empleada para propósitos comerciales o de alquiler, o cualquier otro propósito generador de ingresos.

Esta garantía no cubre ningún producto que haya sido sujeto a un uso indebido, maltrato, negligencia o accidente, o que haya sido utilizado de cualquier forma contraria a las instrucciones de manejo especificadas en el manual del operador del producto. Esta garantía no aplica a ningún daño en el producto que resulte de un mantenimiento indebido ni a ningún producto que haya sido alterado o modificado. La garantía no cubre ninguna reparación necesaria por el uso normal ni por el uso de piezas o accesorios que sean incompatibles con la herramienta para uso exterior de la marca RYOBI™, o afecten de forma desfavorable su funcionamiento, desempeño o durabilidad.

Además, esta garantía no cubre:

A. Afinación – Bujías, carburador, ajustes del carburador, encendido, filtros

B. Artículos sujetos a desgaste – Perillas de tope, carretes exteriores, hilos de corte, carretes interiores, poleas del arrancador, cuerdas del arrancador, correas de transmisión, aspas, arandelas de fieltro y pasadores de enganche, hojas de triturar, ventiladores de sopladoras, tubos de sopladoras y de aspiradoras, sacos y correas de aspiradoras, barras guía y cadenas de sierras

Techtronic Industries North America, Inc. se reserva el derecho a cambiar o mejorar el diseño de cualquier herramienta para uso en el exterior de la marca RYOBI™ sin asumir ninguna obligación de modificar ningún producto fabricado previamente.

TODAS LAS GARANTÍAS IMPLÍCITAS ESTÁN LIMITADAS EN DURACIÓN SEGÚN EL PERÍODO DE GARANTÍA DECLARADA. POR CONSIGUIENTE, CUALQUIER GARANTÍA IMPLÍCITA, INCLUSO LAS DE COMERCIABILIDAD, IDONEIDAD PARA UN PROPÓSITO EN PARTICULAR, O DE CUALQUIER TIPO, PIERDEN TOTALMENTE SU VALIDEZ DESPUÉS DEL VENCIMIENTO DEL PERÍODO DE GARANTÍA CORRESPONDIENTE DE TRES AÑOS O NOVENTA DÍAS. DE CONFORMIDAD CON ESTA GARANTÍA, LA OBLIGACIÓN DE TECHTRONIC INDUSTRIES NORTH AMERICA, INC. SE LIMITA ESTRICTA Y EXCLUSIVAMENTE A LA REPARACIÓN O REPLAZO DE LAS PIEZAS DEFECTUOSAS, Y TECHTRONIC INDUSTRIES NORTH AMERICA, INC. NO ASUME NINGUNA OTRA OBLIGACIÓN, NI AUTORIZA A NADIE ASUMIRLA A NOMBRE DE DICHA COMPAÑÍA. ALGUNOS ESTADOS NO PERMITEN LIMITACIONES EN CUANTO A LA DURACIÓN DE UNA GARANTÍA IMPLÍCITA, POR LO CUAL ES POSIBLE QUE LA LIMITACIÓN ANTERIOR NO SE APLIQUE EN EL CASO DE USTED. TECHTRONIC INDUSTRIES NORTH AMERICA, INC. NO ASUME NINGUNA RESPONSABILIDAD POR DAÑOS DIRECTOS, INDIRECTOS O DE NINGÚN OTRO TIPO, COMO EL GASTO DE ENVIAR EL PRODUCTO A UN CENTRO DE SERVICIO AUTORIZADO RYOBI Y EL GASTO DE ENVIARLO DE ALLÍ AL PROPIETARIO, EL TIEMPO DE VIAJE DEL MECÁNICO, CARGOS TELEFÓNICOS O TELEGRÁFICOS, ALQUILER DE UN PRODUCTO SUSTITUTO DURANTE EL TIEMPO DE REALIZACIÓN DEL SERVICIO DE LA GARANTÍA, VIAJES, PÉRDIDA O DAÑOS A OBJETOS DE PROPIEDAD PERSONAL, PÉRDIDA DE INGRESOS, PÉRDIDA DEL USO DEL PRODUCTO, PÉRDIDA DE TIEMPO O INCONVENIENTES. EN ALGUNOS ESTADOS NO SE PERMITE LA EXCLUSIÓN O LIMITACIÓN DE DAÑOS DIRECTOS O INDIRECTOS, POR LO CUAL ES POSIBLE QUE LA LIMITACIÓN O EXCLUSIÓN DESCRITA ARRIBA NO SE APLIQUE EN SU CASO.

Esta garantía le confiere derechos legales específicos, y es posible que usted goce de otros derechos, los cuales pueden variar de estado a estado.

Esta garantía se aplica a todas las herramientas para uso en el exterior de la marca RYOBI™ fabricadas por Techtronic Industries North America, Inc. y vendidos en Estados Unidos y Canadá.

Para encontrar el centro de servicio autorizado Ryobi más cercano a usted, llame al 1-800-860-4050.



OPERATOR'S MANUAL

MANUEL D'UTILISATION / MANUAL DEL OPERADOR

EDGER ATTACHMENT

ACCESORE COUPE-BORDURES

ACCESORIO PARA RECORTAR BORDES

RYEDG12

CALIFORNIA PROPOSITION 65

⚠ WARNING:

This product and substances that may become airborne from its use may contain chemicals, including lead, known to the State of California to cause cancer, birth defects, or other reproductive harm.
Wash hands after handling.

PROPOSITION 65 DE L'ÉTAT DE CALIFORNIE

⚠ AVERTISSEMENT :

Ce produit et les autres substances rejetées dans l'air suite à son utilisation peuvent contenir des produits chimiques, notamment du plomb qui, selon l'État de la Californie, peuvent causer le cancer, des anomalies congénitales et d'autres dommages au système reproducteur.
Bien se laver les mains après toute manipulation.

CALIFORNIA - PROPUESTA DE LEY NÚM. 65

⚠ ADVERTENCIA:

Este producto y las sustancias que puedan llegar a ser aerotransportadas por su uso pueden contener sustancias químicas (incluido el plomo) reconocidas por el estado de California como causantes de cáncer, defectos congénitos y otras afecciones del aparato reproductor. **Lávese las manos después de utilizar el aparato.**

RYOBI is a trademark of Ryobi Limited and is used pursuant to a license granted by Ryobi Limited.

RYOBI est une marque de Ryobi Limited et est utilisée en vertu d'une licence accordée par Ryobi Limited.

RYOBI es una marca de Ryobi Limited y se utiliza conforme a una licencia otorgada por Ryobi Limited.

• **PARTS AND SERVICE:** Prior to requesting service or purchasing replacement parts, please obtain your item, manufacturing, and serial numbers from the product data plate.

ITEM NO. _____

MANUFACTURING NO. _____

SERIAL NO. _____

HOW TO OBTAIN REPLACEMENT PARTS: Replacement parts can be purchased online at www.ryobitools.com or by calling 1-800-860-4050. Replacement parts can also be obtained at one of our service centers.

HOW TO LOCATE A SERVICE CENTER: Service centers can be located online at www.ryobitools.com or by calling 1-800-860-4050.

HOW TO OBTAIN CUSTOMER OR TECHNICAL SUPPORT: To obtain customer or technical support please contact us at 1-800-860-4050.

• • • • •

• **PIÈCES ET SERVICE :** Avant de faire la demande de service ou l'achat de pièces de remplacement, veuillez obtenir le numéro d'article, le numéro de fabrication et le numéro de série à partir de la plaque de données du produit.

NUMÉRO D'ARTICLE _____

NUMÉRO DE FABRICATION _____

NUMÉRO DE SÉRIE _____

COMMENT OBTENIR LES PIÈCES DE REMPLACEMENT : Les pièces de remplacement peuvent être achetées en ligne sur le site www.ryobitools.com ou par téléphone au 1-800-860-4050. Les pièces de remplacement peuvent être obtenues à un de nos centres de service.

COMMENT TROUVER UN CENTRE DE SERVICE : Les centres de service peuvent être localisés en ligne au www.ryobitools.com ou en téléphonant au 1-800-860-4050.

COMMENT OBTENIR DE L'AIDE EN CONTACTANT LE SERVICE À LA CLIENTÈLE : Pour contacter le service à la clientèle pour une question technique ou pour tout autre renseignement, veuillez nous téléphoner au 1-800-860-4050.

• • • • •

• **PIEZAS DE REPUESTO Y SERVICIO:** Antes de solicitar servicio técnico o comprar piezas de repuesto, obtenga su número de artículo, el número de fabricación y el número de serie de la placa de datos del producto.

NÚMERO DE ARTÍCULO _____

NÚMERO DE FABRICACIÓN _____

NÚMERO DE SERIE _____

CÓMO OBTENER PIEZAS DE REPUESTO: Las piezas de repuesto se pueden comprar en nuestro sitio en la red mundial, en la dirección www.ryobitools.com o llamando al 1-800-860-4050. Las piezas de repuesto también se pueden obtener en uno de nuestros centros de servicio.

CÓMO LOCALIZAR UN CENTRO DE SERVICIO: Puede encontrar los centros de servicio visitando nuestro sitio en la red mundial, en la dirección www.ryobitools.com or by calling 1-800-860-4050.

CÓMO OBTENER SERVICIO O ASISTENCIA TÉCNICA AL CONSUMIDOR: Para obtener servicio o asistencia técnica al consumidor, sírvase comunicarse con nosotros llamando al 1-800-860-4050.

TECHTRONIC INDUSTRIES POWER EQUIPMENT

1428 Pearman Dairy Road, Anderson, SC 29625 USA

1-800-860-4050 • www.ryobitools.com