

848 729



Lynwood 52 in Ceiling Fan Owner's Manual

Lynwood
Ventilador de Techo de 1,32 m
Manual del Propietario



52” Lynwood Ceiling Fan by Hampton Bay

Steeper Blade Pitch for
Greater Air Movement

3-Speed Reverse Function for
Year-Round Comfort and Savings

Accu-Arm™ for Accurate and
Easy Installation

Flush Mount Installation

QUESTIONS, PROBLEMS, MISSING PARTS:

Before returning to your local Home Depot, please call our
Customer Service Team at 1-877-527-0313 or visit www.homedepot.com.

Please reference your SKU (848 729 oil-rubbed bronze)
or UPC (082392 369453 oil-rubbed bronze).

Thank you for purchasing this Hampton Bay ceiling fan. This product has been manufactured with the highest standards of safety and quality. The finish of this fan is weather resistant, but over time will naturally weather and fade.

Table of Contents

Safety Rules	1
Unpacking Your Fan	2
Installing Your Fan	3
Operating Your Fan	9
Care of Your Fan	10
Troubleshooting.....	10
Specifications	11
Warranty Information.....	12

READ AND SAVE THESE INSTRUCTIONS

1. To reduce the risk of electric shock, insure electricity has been turned off at the circuit breaker or fuse box before beginning.
2. All wiring must be in accordance with the National Electrical Code ANSI/NFPA 70-1999 and local electrical codes. Electrical installation should be performed by a qualified licensed electrician.
3. **WARNING:** To reduce the risk of fire or electric shock, do not use this fan with any solid-state speed control device.

WARNING

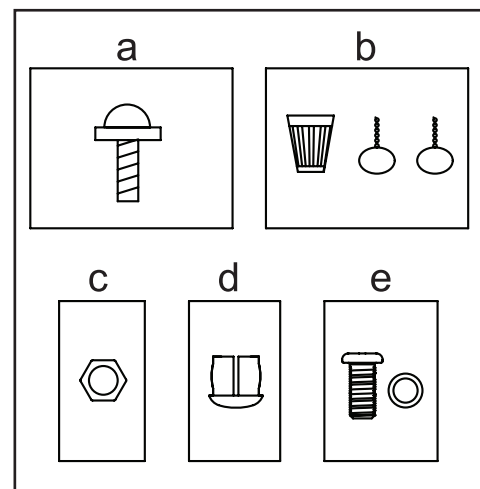
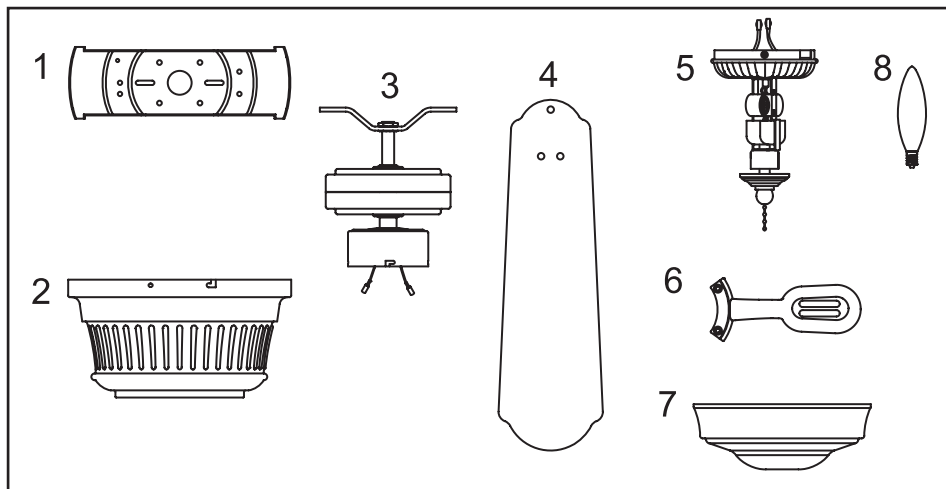
TO REDUCE THE RISK OF FIRE, ELECTRIC SHOCK OR PERSONAL INJURY, MOUNT FAN TO OUTLET BOX MARKED "ACCEPTABLE FOR FAN SUPPORT" WITH THE SCREWS PROVIDED WITH THE OUTLET BOX.

4. The outlet box and support structure must be securely mounted and capable of reliably supporting a minimum of 35 pounds. Use only UL Listed outlet boxes marked "FOR FAN SUPPORT."
5. The fan must be mounted with a **minimum of 7 feet clearance** from the trailing edge of the blades to the floor.
6. Do not operate reversing switch while fan blades are in motion. Fan must be turned off and blades stopped before reversing blade direction.
7. Avoid placing objects in path of the blades.
8. To avoid personal injury or damage to the fan and other items, be cautious when working around or cleaning the fan.
9. Do not use water or detergents when cleaning the fan or fan blades. A dry dust cloth or lightly dampened cloth will be suitable for most cleaning.
10. After making electrical connections, spliced conductors should be turned upward and pushed carefully up into outlet box. The wires should be spread apart with the grounded conductor and the equipment-grounding conductor on one side of the outlet box and ungrounded conductor on the other side of the outlet box.
11. Electrical diagrams are for reference only. Light kits that are not packed with the fan must be UL Listed and marked suitable for use with the model fan you are installing. Switches must be UL General Use Switches. Refer to the instructions packaged with the light kits and switches for proper assembly.
12. All set screws must be checked and retightened where necessary before installation.

WARNING

TO REDUCE THE RISK OF PERSONAL INJURY, DO NOT BEND THE BLADE BRACKETS (ALSO REFERRED TO AS "FLANGES") DURING ASSEMBLY OR AFTER INSTALLATION. DO NOT INSERT OBJECTS IN THE PATH OF THE BLADES.

Safety Rules 1.



Unpack your fan and check the contents. You should have the following items:

- | | |
|-----------------------|---------------|
| 1. Mounting Bracket | 7. Glass Bowl |
| 2. Motor Housing | 8. Bulbs (2) |
| 3. Fan Motor Assembly | |
| 4. Blades (5) | |
| 5. Light Kit Fitter | |
| 6. Blade Brackets (5) | |

IMPORTANT: THIS PRODUCT AND/OR COMPONENTS ARE COVERED BY ONE OR MORE OF THE FOLLOWING U.S. PATENTS: 5,947,436; 5,988,580; 5,971,573; 6,010,306; 6,039,541; 6,046,416 AND OTHER PATENTS PENDING.

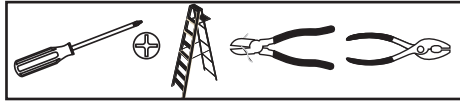
Loose Parts Bag Containing:

- Blade Attachment Hardware**
(15 Screws)
- Electrical Hardware**
(3 plastic wire connectors, 1 pull chain for the fan, 1 pull chain for the light kit)
- Locknut (3)**
- Extra Plastic Plug (for non-light use)**
- Extra Blade Bracket Hardware**
(1 screw and lockwasher)

2. Unpacking Your Fan

Tools Required

Phillips screw driver, straight slot screw driver, adjustable wrench, step ladder, and wire cutters.



Mounting Options

If there isn't an existing outlet box, then read the following instructions. **Disconnect the power by removing fuses or turning off circuit breakers.**

Secure the outlet box directly to the building structure. Use appropriate fasteners and building materials. The outlet box and its support must be able to fully support the moving weight of the fan (at least 35 lbs.) **Do not use plastic outlet boxes.**

WARNING

TO REDUCE THE RISK OF FIRE, ELECTRIC SHOCK OR PERSONAL INJURY, MOUNT FAN ONLY TO AN OUTLET BOX MARKED ACCEPTABLE FOR FAN SUPPORT AND USE THE MOUNTING SCREWS PROVIDED WITH THE OUTLET BOX. OUTLET BOXES COMMONLY USED FOR THE SUPPORT OF LIGHTING FIXTURES MAY NOT BE ACCEPTABLE FOR FAN SUPPORT AND MAY NEED TO BE REPLACED. CONSULT A QUALIFIED ELECTRICIAN IF IN DOUBT.

Figures 1, 2, and 3 are examples of different ways to mount the outlet box.

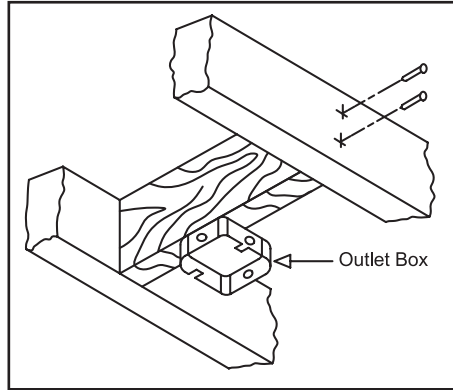


Figure 1

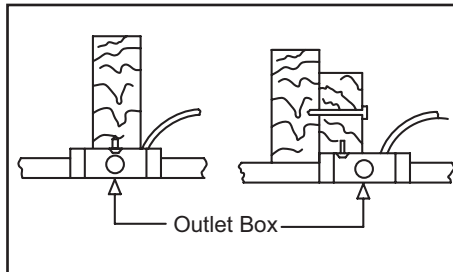


Figure 2

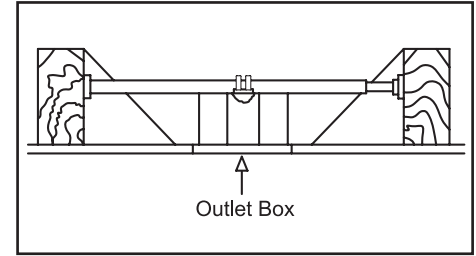


Figure 3

To hang your fan where there is an existing fixture but no ceiling joist, you may need an installation hanger bar as shown in Figure 3 (available at your Hampton Bay retailer).

Installing Your Fan 3.

Hanging the Fan

REMEMBER to turn off the power. Follow the steps below to hang your fan properly.

1. Securely attach the mounting plate to the outlet box using the two screws supplied with the outlet box (Figure 4). Pull the black, white and ground wires out of the outlet box and through the hole in the mounting plate and lay them to the side.

NOTE

FOR BETTER FAN PERFORMANCE, MAKE SURE THE MOUNTING PLATE IS LEVEL. ADDITIONAL WASHERS (NOT INCLUDED) MAY BE NEEDED TO INSERT BETWEEN THE OUTLET BOX AND MOUNTING PLATE (FIGURE 4).

2. Carefully lift the fan motor assembly and engage the slot in the motor bracket with the hook on the mounting plate so that it is securely suspended (Figure 5). Then connect the wiring to your fan according to the section "Making the Electrical Connections".
3. Once wiring is completed, lift the motor bracket so that the threaded studs on the mounting plate protrude through the slots in the motor bracket (Figure 5). Securely tighten the three 1/4" locknuts (supplied) onto the threaded studs, then try to shake the motor bracket to ensure that the assembly is tight (Figure 6).

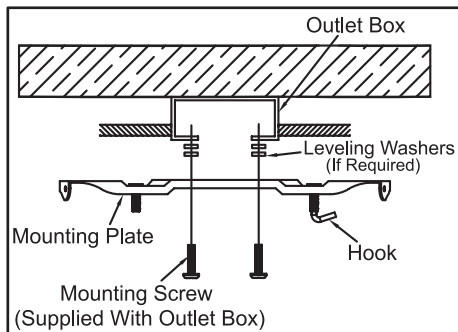


Figure 4

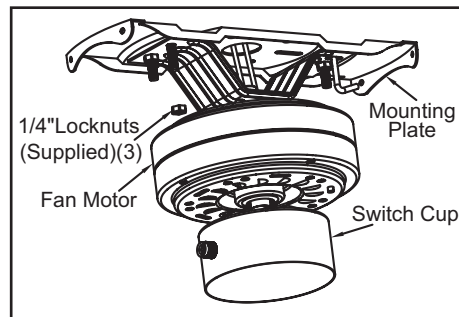


Figure 6

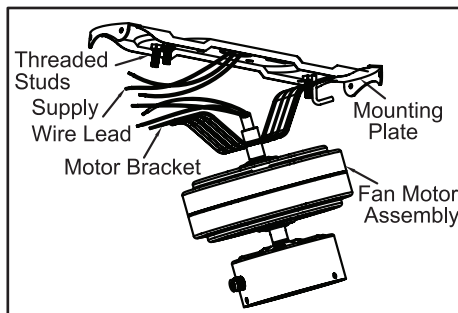


Figure 5

Making the Electrical Connections

REMEMBER to disconnect the power.

If you feel you do not have enough electrical wiring knowledge or experience, have your fan installed by a licensed electrician.

Follow the steps below to connect the fan to your household wiring. Use the wire connecting nuts supplied with your fan. Secure the connectors with electrical tape. Make sure there are no loose strands or connections.

1. Connect the ground conductor of the 120v supply (this may be a bare wire or a wire with green colored insulation) to the green ground leads from the motor bracket and the mounting plate of the fan (Figure 7).
2. Connect the fan motor white wire to the supply white (neutral) wire using a wire nut supplied (Figure 7).
3. Connect the fan motor black and blue wires to the supply black (hot) wire using a wire nut supplied (Figure 7).
4. After connecting the wires, spread them apart so that the green and white wires are on one side of the outlet box and the black wire is on the other side.
5. Turn the wire connecting nuts upward and push the wiring into the outlet box.

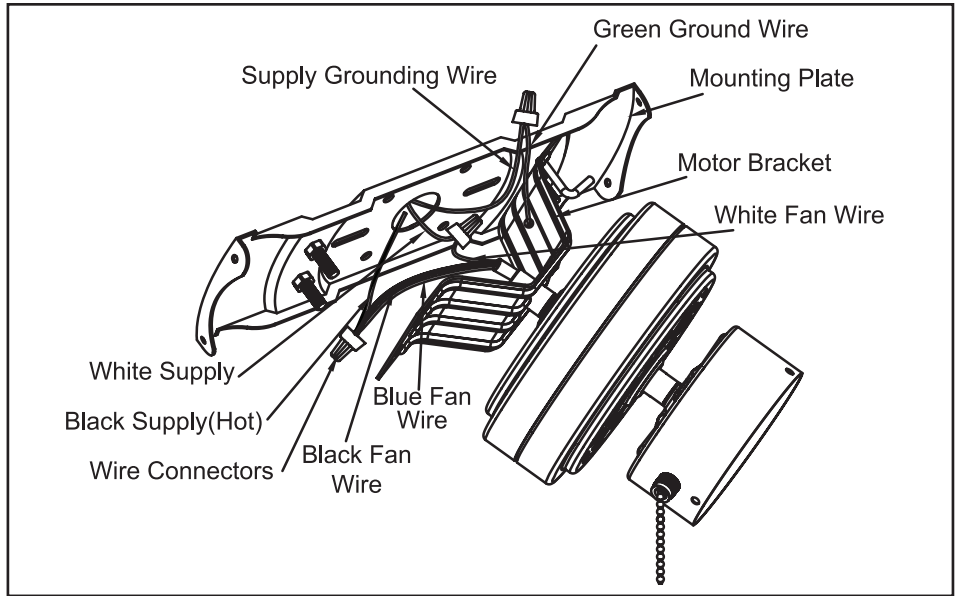


Figure 7

WARNING

TO REDUCE THE RISK OF FIRE OR ELECTRIC SHOCK, DO NOT USE A SOLID STATE SPEED CONTROL WITH THIS FAN. IT WILL PERMANENTLY DAMAGE THE ELECTRONIC CIRCUITRY.

CHECK TO SEE THAT ALL CONNECTIONS ARE TIGHT, INCLUDING GROUND, AND THAT NO BARE WIRE IS VISIBLE AT THE WIRE NUTS, EXCEPT FOR THE GROUND WIRE.

ELECTRICAL DIAGRAMS ARE FOR REFERENCE ONLY. OPTIONAL USE OF ANY LIGHT KIT SHALL BE UL LISTED AND MARKED SUITABLE FOR USE WITH THIS FAN.

Finishing the Fan Installation

1. Remove the two screws on two diagonal sides from the top of the mounting plate and loosen the other two screws (Figure 8).
2. Align the two key slots on the top of the motor housing with the two screws on the mounting plate, push the motor housing up and turn it clockwise to lock in plate, tighten the two screws.
3. Install the two screws that were removed in step 1 into the remaining two holes and tighten firmly four screws.

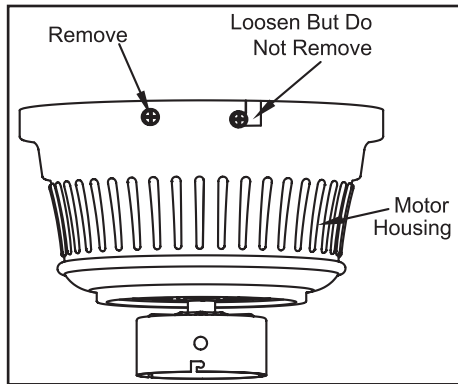


Figure 8

6.

Attaching the Fan Blades

NOTE: Your fan blades are reversible. Select the blade side finish which best accentuates your decor.

1. Attach blade to blade bracket using the screws supplied (Figure 9). Please note that the rubber washers are pre-attached to the blade bracket. Start a screw into the bracket. Repeat for the two remaining screws.
2. Tighten each screw securely.
3. Fasten the blade assembly to the motor by inserting the alignment posts into the slot on the bottom of the motor and tightening the motor screws. Please note that the motor screws are pre-attached into the blade brackets (Figure 10).
4. Repeat steps 1-3 for the remaining blades.

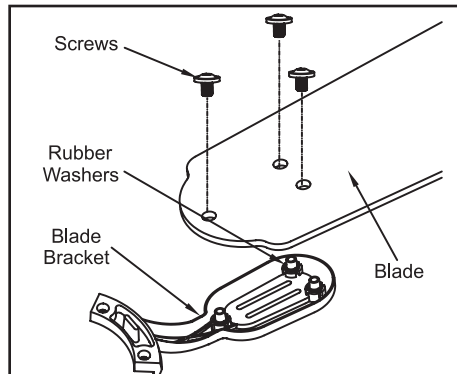


Figure 9

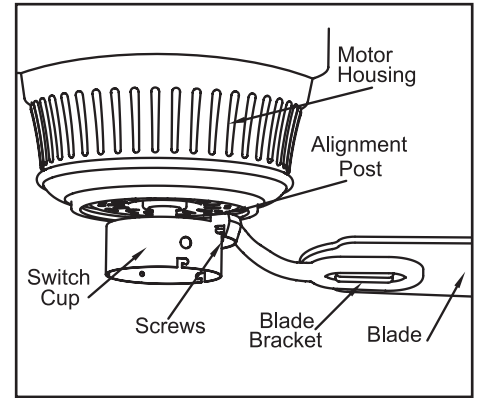


Figure 10

Blade Balancing

All blades are grouped by weight. Because natural woods vary in density, the fan may wobble even though the blades are weight matched.

The following procedure should correct most fan wobble. Check after each step.

1. Check that all blade screws are secure.
2. Most fan wobble problems are caused when blade levels are unequal. Check this level by selecting a point on the ceiling above the tip of one of the blades. Measure from a point on the center of each blade to the point on the ceiling. Measure this distance as shown

in Figure 11. Rotate the fan until the next blade is positioned for measurement. Repeat for each blade. Measurement deviations should be within 1/8". Run the fan for 10 minutes.

3. Use the enclosed Bladed Balancing Kit if the blade wobble is still noticeable.

WARNING

TO REDUCE THE RISK OF PERSONAL INJURY, DO NOT BEND THE BLADE HOLDERS WHILE INSTALLING, BALANCING THE BLADES, OR CLEANING THE FAN. DO NOT INSERT FOREIGN OBJECTS BETWEEN ROTATING BLADES.

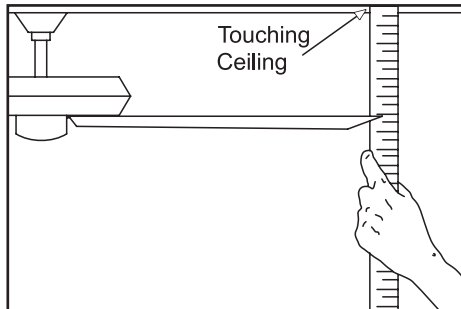


Figure 11

Attaching the Light Kit & Glass Bowl

CAUTION - To reduce the risk of electrical shock, disconnect the electrical supply circuit to the fan before installing the light fixture.

1. Loosen the three serrated head screws on the switch cup cover of the light kit fitter (Figure 12).
2. Connect the wires from the light kit fitter to the wires from the switch cup of the fan motor assembly by connecting the molded adaptor plugs together (blue to black, white to white). Carefully tuck all wires and splices into the switch cup.
3. Align the three serrated head screws on the switch cup cover of the light kit fitter with the three key slots in the switch cup. Make sure the notch in the switch cup cover of the light kit fitter clears the reversing switch in the switch cup. Position the light kit fitter on the switch cup and turn it clockwise until it locks. Tighten the three serrated head screws that were loosened in step 1 to secure the light kit fitter (Figure 12).
4. Remove the rubber washer, hex nut, bottom cover and the finial from the light kit fitter (Figure 13).
5. With power off, install two 60 watt (maximum) candelabra base bulbs (included) into the light kit fitter sockets.

6. Position the glass bowl over the threaded nipple and pass the fan switch chain through the side hole in the glass bowl.
7. Re-install the rubber washer and hex nut to the threaded nipple of the light kit fitter to secure the glass bowl properly. **DO NOT OVERTIGHTEN THE HEX NUT, OVERTIGHTENING THE HEX NUT MAY CAUSE THE GLASS TO BREAK.**
8. Re-install the bottom cover and finial and finger tighten the finial.

CAUTION - Be sure that the fan switch chain does not make contact with the light bulbs.

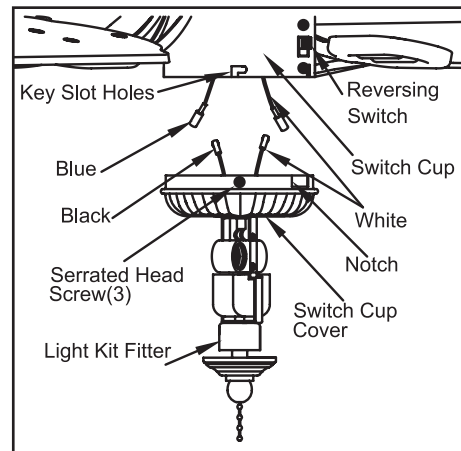


Figure 12

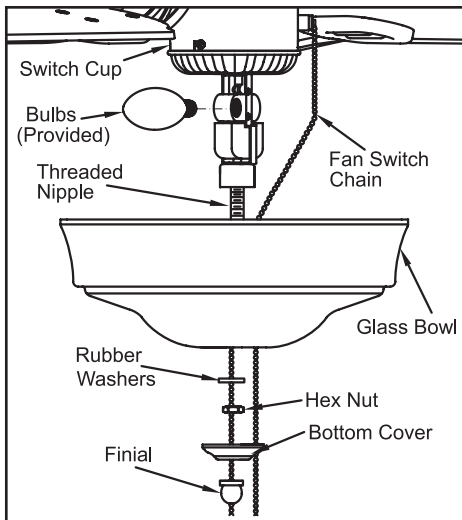


Figure 13

Fan Without Light Kit

1. In order to use the fan without the light kit, remove the switch cup cover from the top of the light kit fitter by removing the center hex nut inside the switch cup cover, and then thread the switch cup cover out of the threaded nipple on the top of the light kit fitter. Remove three serrated head screws.
2. Press the plastic plug (provided) into the center hole of the switch cup cover.
3. Align the three screw holes in the switch cup cover with the three key slots in the switch cup. Make sure the notch in the switch cup cover clears the reversing switch in the switch cup (refer to Figure 12 on page 7).
4. Position the switch cup cover onto the switch cup and install the three serrated head screws that were removed in step 1. Turn the switch cup cover clockwise until it locks, tighten the three serrated head screws.

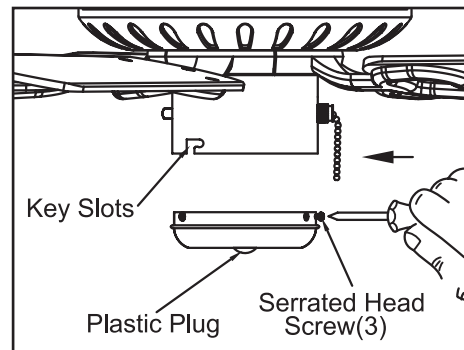


Figure 14

**YOUR FAN/SWITCH CUP COVER MAY NO
LOOK EXACTLY LIKE THE ILLUSTRATION.
HOWEVER, THE INSTALLATION IS THE SAME.**

Turn on the power and check the operation of the fan. The pull chain controls the fan speed as follows: 1 pull - High, 2 pulls - Medium, 3 pulls - Low and 4 pulls - Off.

The other pull chain controls the light On and Off.

Speed Settings for warm or cool weather depend on factors such as room size, ceiling height, number of fans and so on.

The reversing switch installed in the switch cup (refer to figure 12 on page 7) controls direction: forward (switch down) or reverse (switch up).

NOTE

WAIT FOR FAN TO STOP COMPLETELY BEFORE SETTING SLIDE SWITCH TO REVERSE THE DIRECTION OF BLADE ROTATION.

Warm weather - (Forward) A downward air flow creates a cooling effect as shown in Figure 15. This allows you to set your air conditioner on a higher setting without affecting your comfort.

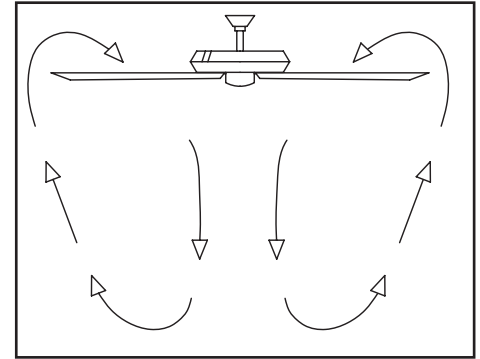


Figure 15

Cool weather - (Reverse) An upward air flow moves warm air off the ceiling as shown in Figure 16. This allows you to set your heating unit on a lower setting without affecting your comfort.

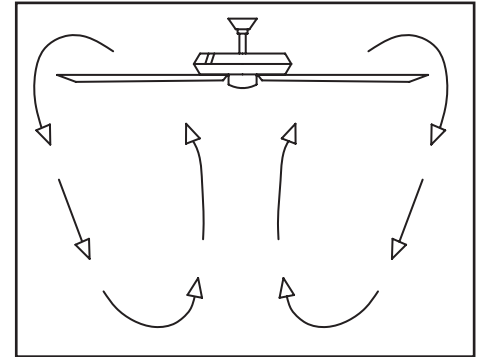


Figure 16

Operating Your Fan 9.

Care of Your Fan

Here are some suggestions to help you maintain your fan.

1. Because of the fan's natural movement, some connections may become loose. **Check the support connections, brackets, and blade attachments twice a year.** Make sure they are secure. **(It is not necessary to remove fan from ceiling.)**
2. Clean your fan periodically to help maintain its new appearance over the years. Do not use water when cleaning, this could damage the motor, or the wood or possibly cause an electrical shock. Use only a soft brush or lint-free cloth to avoid scratching the finish. The plating is sealed with a lacquer to minimize discoloration or tarnishing. **Warning - Make sure the power is off before cleaning your fan.**
3. You can apply a light coat of furniture polish to the wood for additional protection and enhanced beauty. Cover small scratches with a light application of shoe polish.
4. **There is no need to oil your fan.** The motor has permanently lubricated sealed ball bearings.

Troubleshooting

Problem

Solution

Fan will not start

1. Check main and branch circuit fuses or breakers
2. Check line wire connections to the fan and switch wire connections in the switch housing. **CAUTION: Make sure main power is off.**

Fan sounds noisy

1. Make sure all motor housing screws are snug.
2. Make sure the screws that attach the fan blade bracket to the motor hub are tight.
3. Make sure wire nut connections are not rattling against each other or the interior wall of the switch housing. **CAUTION: Make sure power is off.**
4. Allow a 24-hour "breaking in" period. Most noises associated with a new fan disappear during this time.
5. If using the Ceiling Fan light kit, make sure the screws securing the glassware are tight. Check that the light bulb is also secure.
6. Make sure the canopy is a short distance from the ceiling. It should not touch the ceiling.
7. Make sure your outlet box is secure and rubber isolator pads were used between the mounting bracket and outlet box.
8. Make sure pull chains are not vibrating against glass or housing.

WARNING

MAKE SURE THE POWER IS OFF AT THE ELECTRICAL PANEL BOX BEFORE YOU ATTEMPT TO MAKE ANY REPAIRS. REFER TO THE SECTION, "MAKING ELECTRICAL CONNECTIONS."

10. Care of Your Fan and Troubleshooting

FAN SIZE	SPEED	VOLTS	AMPS	WATTS	RPM	CFM	NET WEIGHT	GROSS WEIGHT	CUBE FEET
52"	Low	120	0.21	10	65	1811	17.0 Lbs	19.2 Lbs	1.7'
	Med	120	0.35	27	115	3271			
	High	120	0.52	62	185	5016			

These are approximate measures. They do not include Amps and Wattage used by the light kit.

Distributed by Home Depot U.S.A., Inc.
2455 Paces Ferry Rd. N.W. Atlanta, Georgia 30339

Vendor Number: 11688

Specifications 11.

Hampton Bay Lifetime Limited Warranty Lifetime Warranty on Motor

Hampton Bay warrants the fan motor to be free from defects in workmanship and material present at time of shipment from the factory for a lifetime after the date of purchase by the original purchaser. Hampton Bay also warrants that all other fan parts, excluding any glass or acrylic blades, to be free from defects in workmanship and material at the time of shipment from the factory for a period of one year after the date of purchase by the original purchaser. We agree to correct such defects without charge or at our option replace with a comparable or superior model if the product is returned to Hampton Bay. To obtain warranty service, you must present a copy of the receipt as proof of purchase. All costs of removing and reinstalling the product are your responsibility. Damage to any part such as by accident or misuse or improper installation or by affixing any accessories, is not covered by this warranty. Because of varying climatic conditions, this warranty does not cover any changes in plated finishes, including rusting, pitting, corroding, tarnishing or peeling. Brass finishes of this type give their longest useful life when protected from varying weather conditions. A certain amount of “wobble” is normal and should not be considered a defect. Servicing performed by unauthorized persons shall render the warranty invalid. There is no other express warranty. Hampton Bay hereby disclaims any and all warranties, including but not limited to, those of merchantability and fitness for a particular purpose to the extent permitted by law. The duration of any implied warranty which cannot be disclaimed is limited to the time period as specified in the express warranty. Some states do not allow limitation on how long an implied warranty lasts, so the above limitation may not apply to you. Hampton Bay shall not be liable for incidental, consequential, or special damages arising out of or in connection with product use or performance except as may otherwise be accorded by law. Some states do not allow the exclusion of incidental or consequential damages, so the above exclusion or limitation may not apply to you. This warranty gives specific legal rights, and you may also have other rights which vary from state to state. This warranty supersedes all prior warranties. Shipping costs for any return of product as part of a claim on the warranty must be paid by the customer.

IMPORTANT NOTE:

To ensure warranty service, if ever necessary, please register your fan at:
gpwarranty.com

You must present a copy of the original purchase receipt to obtain warranty service.

G.P. WARRANTY SERVICE CENTER, INC.
WARRANTY SECTION
1951 N.W. 22nd STREET
FORT LAUDERDALE, FLORIDA 33311

Attach receipt here for
easy location.

12. Warranty Information