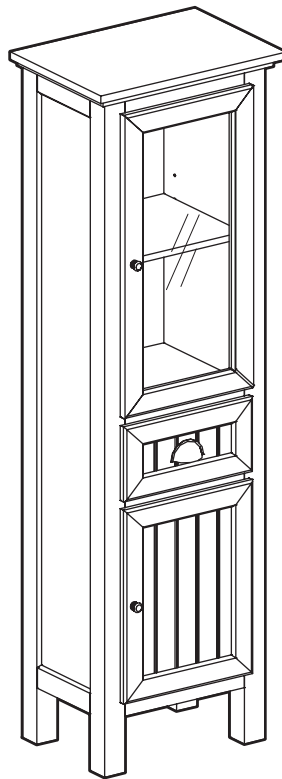


USE AND CARE GUIDE

RIDGEMORE 20 IN. LINEN CABINET



Questions, problems, missing parts? Before returning to the store,
call Home Decorators Collection Customer Service
8 a.m. - 7 p.m., EST, Monday - Friday, 9 a.m.- 6 p.m., EST, Saturday

1-800-986-3460

HOMEDEPOT.COM/HOMEDECORATORS

THANK YOU

We appreciate the trust and confidence you have placed in Home Decorators Collection through the purchase of this cabinet. We strive to continually create quality products designed to enhance your home. Visit us online to see our full line of products available for your home improvement needs. Thank you for choosing Home Decorators Collection!

Table of Contents

Safety Information 2
Warranty 2
Pre-Installation 2
Installation 4

Maintenance 5
Care and Cleaning 5
Service Parts 5

Safety Information

- Read and understand these instructions before attempting to install or use this product.



CAUTION: Use caution when lifting heavy objects. Lifting heavy objects improperly could cause serious injury.



NOTE: Handle with care. Do not drop or handle roughly, as this could damage the cabinet.

Warranty

This linen cabinet product comes with a manufacture Limited Lifetime Warranty. The warranty applies to the original purchaser of the linen cabinet and guarantees that the surface will not wear through or peel off. Installation of the product confirms your acceptance of the product. Failure to follow Pre-Installation and Installation guidelines will void the warranty. The warranty does not cover damage from improper use, care or maintenance, including scratching, exposure to moisture and humidity, water damage, denting, fading, or staining. Contact the Customer Service Team at 1-800-986-3460 or visit www.HOMEDEPOT.com/HOMEDECORATORS.

Pre-Installation

PLANNING INSTALLATION

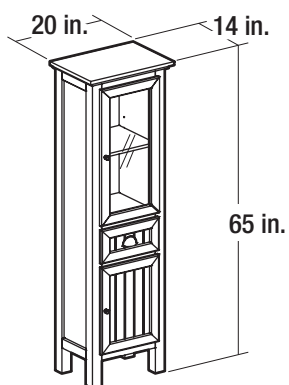
Check the mirror for damage before installation. If any part of the mirror is missing or damaged, contact the Customer Service Team at 1-800-986-3460.



NOTE: Work on a soft, flat surface to avoid damage to the finish.

Pre-Installation (continued)


DIMENSIONS



TOOLS REQUIRED



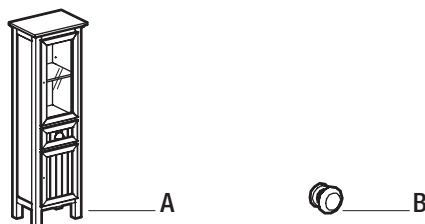
HARDWARE REQUIRED

 **NOTE:** Hardware not shown to actual size.



Part	Description	Quantity
AA	Plastic Anchor	2
BB	Screw	2
CC	Shelf Bracket	4
DD	Door knob screws	2

PACKAGE CONTENTS

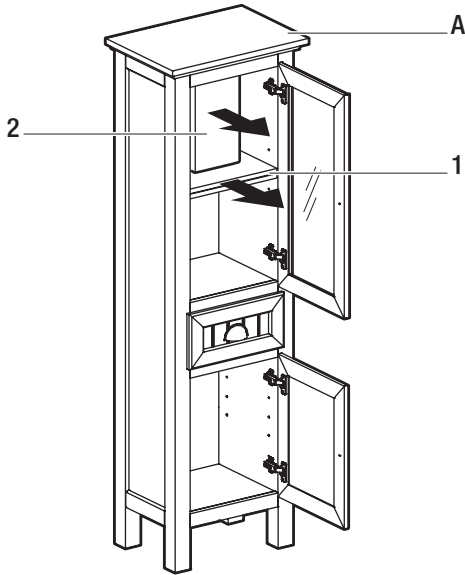


Part	Description	Quantity
A	Cabinet	1
B	Door knob	1

Installation

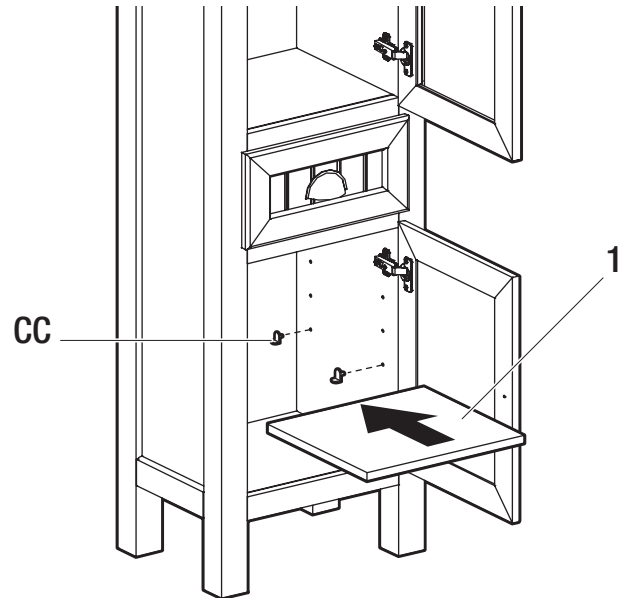
1 Preparing the cabinet

- Remove the foam block (2).
- Remove the lower cabinet shelf (1) from the top of the cabinet (A).



2 Installing the lower cabinet shelf

- Install the shelf brackets (CC) in the lower cabinet. Ensure that the shelf brackets (CC) are level.
- Place the lower cabinet shelf (1) on the shelf brackets.

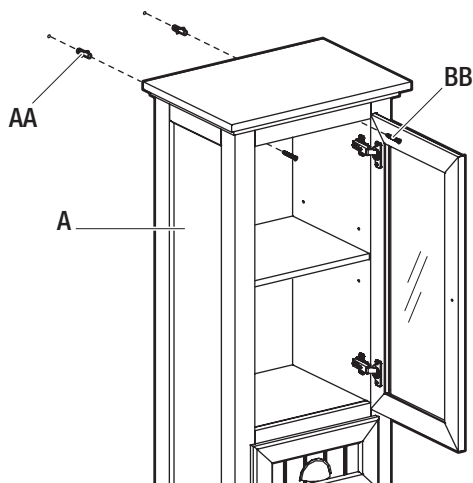


3 Securing the cabinet

- Drill two holes in the wall at the appropriate height.
- Install the plastic anchors (AA) in the holes.
- Secure the cabinet (A) to the wall using the screws (BB) through the back of the cabinet (A).

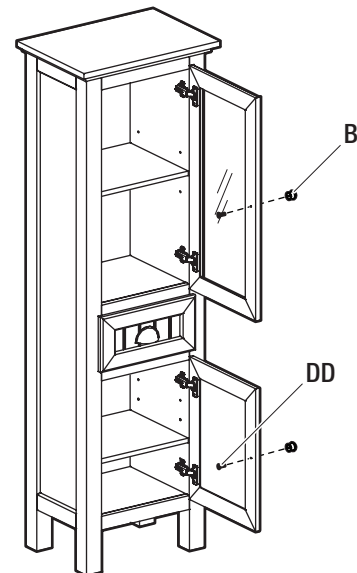


WARNING: Do not skip this procedure. A falling cabinet could cause death or serious injury.



4 Attaching the door knobs

- Attach the door knobs (B) using the door knob screws (DD).



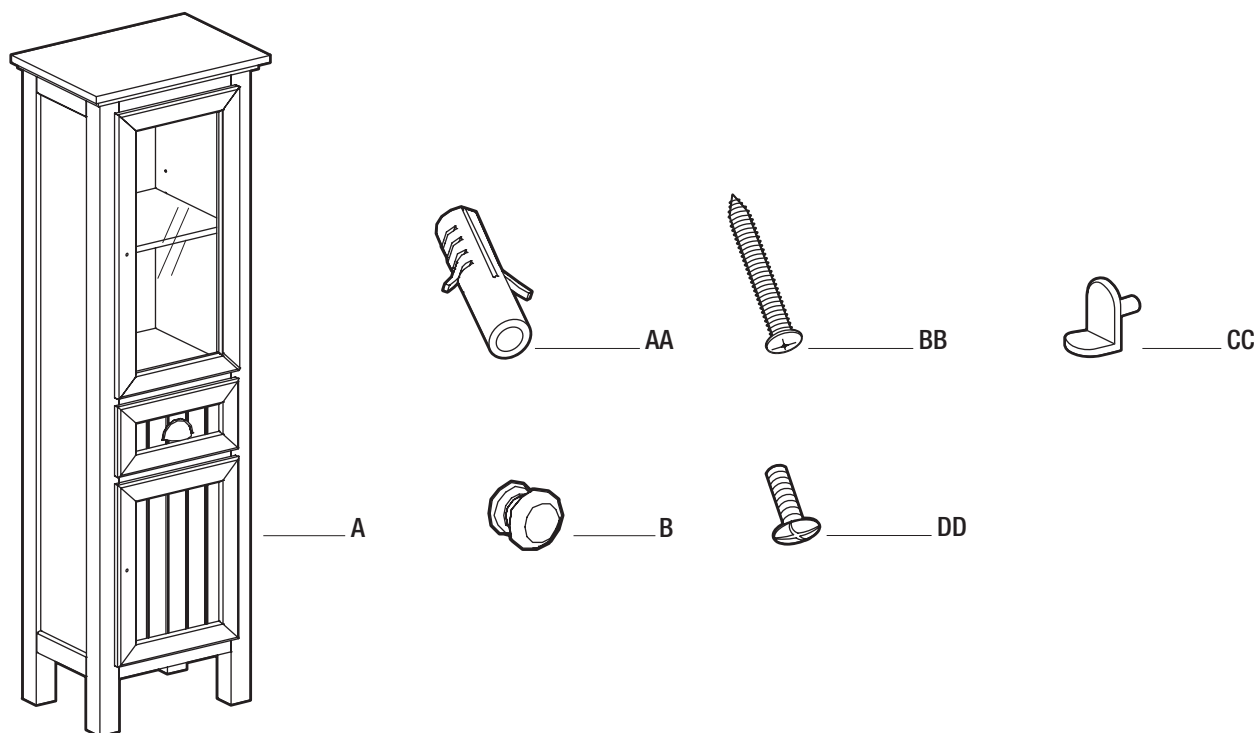
Maintenance

- If your furniture is stained or otherwise damaged during use, contact a professional for repairs.

Care and Cleaning

- Use glass cleaner to clean the glass.
- Use of furniture polishes is not necessary. Should you choose to use polishes, test the polish in an inconspicuous area before using over the entire surface of the product.
- Using solvents of any kind on your furniture may damage the finish.
- Never use water to clean your furniture as it may cause damage to the finish.
- Use care as stains or marks from crayons or ink markers will be difficult to remove.

Service Parts



Part	Description	Quantity
A	Cabinet	1
B	Door knob	2
AA	Plastic anchor	2
BB	Screw	2
CC	Shelf bracket	4
DD	Door knob screw	2

HOME DECORATORS COLLECTION

Questions, problems, missing parts? Before returning to the store,
call Home Decorators Collection Customer Service
8 a.m. - 7 p.m., EST, Monday - Friday, 9 a.m.- 6 p.m., EST, Saturday

1-800-986-3460

HOMEDEPOT.COM/HOMEDECORATORS

Retain this manual for future use.