



VINCENNES

SINGLE HANDLE SHOWER FAUCET

Model

MFF-VCNS

Available Finishes

Brushed Nickel (BN)
Chrome (CP)

Standards



- IAPMO UPC/cUPC
- NSF 61-9



- ASME A112.18.1



- ADA Accessibility Guidelines for Buildings and Facilities 4.27.4 Controls and Mechanisms



Product Features

- Washerless Valve Cartridge
- Cast Brass Valve Body (MFF-TBSHW-VL)
- Metal Lever Handle
- 100% Factory Pressure Tested

General Description

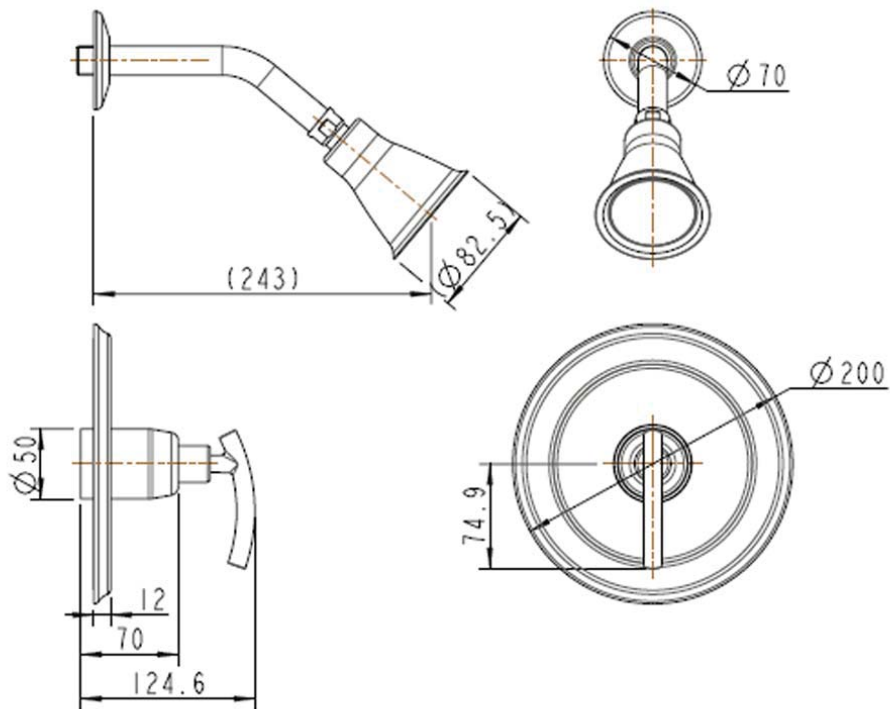
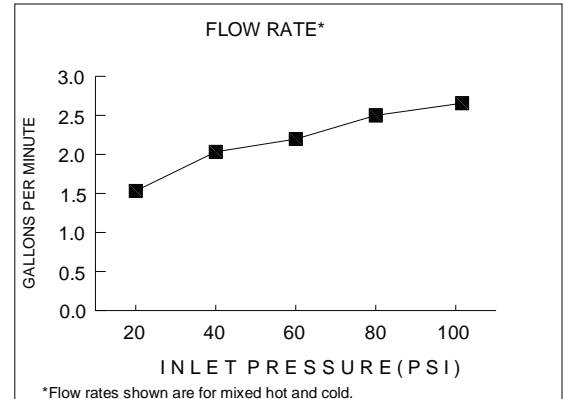
Cast brass valve body. Washerless disc cartridge. Zinc lever handle. Brass escutcheon. Plastic 1-function shower head. 1/2" IPS connections. Shower head max. flow rate: 2.5 gpm (9.5 Lpm) minimum at 80 PSI.

Suggested Specification

Shower faucet shall feature cast brass valve body. Shall also feature 120° turn washerless ceramic disc valve cartridge. Fitting shall be Fontaine Model #MFF-VCNS-___.

Flow Rate

Showerhead max. flow rate: 2.5 gpm (9.5 lpm) at 80 PSI





TUB AND SHOWER VALVE

PRESSURE BALANCED

Model

MFF-TBSHW-VL



Standards



- IAPMO UPC/cUPC
- NSF 61-9
- ASSE 1016

General Description

Pressure balanced tub and shower valve. Brass body. Washerless cartridge. Two (2) .5 in. NPT outlets. Check valves included to prevent backflow or stop inlets, if necessary.

Product Features

- Washerless Valve Cartridge
- Cast Brass Valve Body

Suggested Specification

Pressure balanced tub and shower valve shall feature cast brass valve body. Shall also feature washerless valve cartridge. Fitting shall be Fontaine Model #MFF-TBSHW-VL.

